

1/468 U113  
.2  
TM  
1943

TM 9-1783B

WAR DEPARTMENT  
*U.S. Dept. of Army*  
TECHNICAL MANUAL  
  
ORDNANCE MAINTENANCE  
**MEDIUM TRACTOR M1**  
**(ALLIS-CHALMERS HD-7W)**  
**ENGINE ACCESSORIES**  
  
18 JUNE 1943

**FOR ORDNANCE PERSONNEL ONLY**







U113  
.2  
TM 9-1783B  
1943  
★ ★

**ORDNANCE MAINTENANCE  
MEDIUM TRACTOR M1 (ALLIS-CHALMERS HD-7W)  
ENGINE ACCESSORIES**

Prepared under the direction of the  
Chief of Ordnance

(With the cooperation of the Allis-Chalmers Manufacturing Company)

**CONTENTS**

	Paragraphs	Pages
CHAPTER 1 INTRODUCTION .....	1-3	3-4
CHAPTER 2 ALLOCATION OF MAINTENANCE DUTIES BY ECHELONS.....	4-5	5-12
CHAPTER 3 MASTER CLUTCH .....	6-15	13-29
CHAPTER 4 FUEL AND AIR SYSTEM	16-66	30-134
SECTION I. Description of system.....	16	30-31
SECTION II. Operational inspection .....	17-18	32-33
SECTION III. Trouble shooting .....	19	34
SECTION IV. Fuel injectors .....	20-31	35-65
SECTION V. Fuel pump .....	32-39	66-77
SECTION VI. Fuel filters .....	40-43	78-86
SECTION VII. Blower .....	44-56	87-124
SECTION VIII. Air precleaner .....	57-60	125-126
SECTION IX. Air cleaner (oil bath).....	61-66	127-134
CHAPTER 5 COOLING SYSTEM	67-98	135-168
SECTION I. Description of system.....	67	135
SECTION II. Trouble shooting .....	68	136
SECTION III. Water pump .....	69-76	137-145
SECTION IV. Fan and belts .....	77-86	146-155
SECTION V. Thermostat .....	87-91	156-158
SECTION VI. Radiator .....	92-98	159-168



**TM 9-1783B**

**ORDNANCE MAINTENANCE — MEDIUM TRACTOR M1  
(ALLIS-CHALMERS HD-7W) ENGINE ACCESSORIES**

	<b>Paragraphs</b>	<b>Pages</b>
<b>CHAPTER 6 ELECTRICAL SYSTEM</b>	99-152	169-238
<b>SECTION I. Generator</b> .....	99-119	169-192
<b>SECTION II. Generator regulator</b> .....	120-130	193-207
<b>SECTION III. Starting motor</b> .....	131-152	208-238
<b>CHAPTER 7 LUBRICATION SYSTEM</b> .....	153-172	239-261
<b>SECTION I. Description of system</b> .....	153	239-242
<b>SECTION II. Trouble shooting</b> .....	154	243
<b>SECTION III. Oil pump</b> .....	155-162	244-252
<b>SECTION IV. Lubricating oil filter</b> .....	163-167	253-256
<b>SECTION V. Lubricating oil cooler</b> .....	168-172	257-261
<b>CHAPTER 8 EXHAUST MANIFOLD AND MUFFLER</b> .....	173-179	262-267
<b>CHAPTER 9 GOVERNOR AND CONTROLS</b>	180-190	268-293
<b>SECTION I. Governor</b> .....	180-188	268-289
<b>SECTION II. Engine controls</b> .....	189-190	290-293
<b>CHAPTER 10 HEATERS, ENGINE, AND AIR</b>	191-201	294-311
<b>SECTION I. Air heater</b> .....	191-197	294-304
<b>SECTION II. Engine preheater</b> .....	198-201	305-311
<b>CHAPTER 11 REFERENCES</b> .....	202-203	312-313
<b>INDEX</b> .....		314-322



## CHAPTER 1 INTRODUCTION

	Paragraph
Scope .....	1
Content and arrangement of manual.....	2
References .....	3

### 1. SCOPE.

a. This manual is published for the information and guidance of ordnance maintenance personnel. It contains detailed instructions for disassembly, inspection, maintenance, repair, and assembly of the accessories for the Diesel engine, GM 3-71 RC 14 (used in the Medium Tractor M1, Allis-Chalmers HD-7W), supplementary to those in TM 9-783B, TM 9-1783A, and in Field Manuals prepared for the using arm. Additional descriptive matter and illustrations are included to aid in providing a complete working knowledge of the materiel. All the components in the master clutch, fuel and air system, cooling system, electrical system, lubrication system, exhaust manifold and muffler, governor and controls, and the engine and air heaters are discussed in this manual.

b. In many cases the tools and equipment described in this manual are not the same as those issued to the field, but are merely used here to illustrate the use of similar tools.

### 2. CONTENT AND ARRANGEMENT OF MANUAL.

a. Chapter 2 defines the various maintenance terms used in this manual and allocates the various maintenance operations in the proper echelons. Chapter 3 contains description and trouble shooting of the master clutch, and outlines procedures for removal, disassembly, maintenance and repairs, assembly, installation, and clutch brake adjustment. Chapters 4 to 10 contain a general description, trouble shooting, removal, disassembly, inspection and repair, assembly, installation, and special tools of the various units outlined in the fuel and air system, cooling system, electrical system, lubrication system, exhaust manifold and muffler, governor and controls, and engine and air heaters respectively. In TM 9-1783A the procedure for removal and installation of accessories—with the engine removed from the tractor—was outlined. In this manual the procedure for removing and installing the individual accessories—with the engine in the tractor—is explained. The specifications for fits and tolerances, if any, as well as special tools and equipment required for each assembly, are listed at the end of each section.



**TM 9-1783B**

**3**

**ORDNANCE MAINTENANCE — MEDIUM TRACTOR M1  
(ALLIS-CHALMERS HD-7W) ENGINE ACCESSORIES**

**3. REFERENCES.**

a. Chapter 11, at the end of this Technical Manual, lists all Standard Nomenclature Lists, Technical Manuals, and other publications for the materiel described herein.

## CHAPTER 2

### ALLOCATION OF MAINTENANCE DUTIES BY ECHELONS

	Paragraph
Scope .....	4
Allocation of maintenance.....	5

#### 4. SCOPE.

a. The scope of maintenance and repair by the crew and other units of the using arm is determined by the availability of suitable tools, availability of necessary parts, capabilities of the mechanics, time available, and the tactical situation. All of these are variable and no exact system of procedure can be prescribed.

#### 5. ALLOCATION OF MAINTENANCE.

a. Indicated below are the maintenance duties for which tools and parts have been provided for the using arm personnel. Other replacements and repairs are the responsibility of ordnance maintenance personnel, but they may be performed by using arm personnel when circumstances permit, within the discretion of the commander concerned. Echelons and words as used in this list of maintenance allocations are defined as follows:

**SECOND ECHELON:** Line organization regiments, battalions, companies, detachments, and separate companies.

**THIRD ECHELON:** Ordnance light maintenance companies, ordnance medium maintenance companies, ordnance divisional maintenance battalions, and post ordnance shops.

**FOURTH ECHELON:** Ordnance heavy maintenance companies and service command shops.

**FIFTH ECHELON:** Ordnance base regiments, ordnance bases, arsenals, and manufacturers' plants.

**SERVICE:** Consists of servicing, cleaning, lubricating, tightening bolts and nuts, and making external adjustments of subassemblies, or assemblies and controls.  
(Including preventive maintenance.) Refer to AR 850-15, paragraph 23 a (1) and (2).



**TM 9-1783B**

**5**

**ORDNANCE MAINTENANCE—MEDIUM TRACTOR M1  
(ALLIS-CHALMERS HD-7W) ENGINE ACCESSORIES**

- REPLACE:** Consists of removing the part, subassembly, or assembly from the vehicles and replacing it with a new or reconditioned or rebuilt part, subassembly, or assembly, whichever the case may be.  
 Refer to AR 850-15, paragraph 23 a (4).
- REPAIR:** Consists of making repairs to, or replacement of, the part, subassembly, or assembly that can be accomplished without completely disassembling the subassembly, or assemblies, and does not require heavy welding, or riveting, machining, fitting and/or alining or balancing.  
 Refer to AR 850-15, paragraph 23 a (3) and (5), in part.
- REBUILD:** Consists of completely reconditioning and replacing in serviceable condition any unserviceable part, subassembly, or assembly of the vehicle, including welding, riveting, machining, fitting, alining, balancing, assembling, and testing.  
 Refer to AR 850-15, paragraph 23 a (5) in part, and (6).

	ECHELONS			
	2nd	3rd	4th	5th
<b>CLUTCH ASSEMBLY, ENGINE</b>				
Clutch assembly—service (adjust).....	X			
Clutch assembly—replace .....	E	X		
Clutch assembly—repair (reline).....		X		
Clutch assembly—rebuild .....			E	X
Control and linkage (external)—replace.....	X			
Control and linkage (internal)—replace.....		X		
Control and linkage (external and internal)— repair .....		X		

<b>COOLING SYSTEM</b>				
Connections, radiator—service and replace.....	X			
Radiator assembly—replace .....	X			
Radiator assembly—repair .....		X		
Radiator assembly—rebuild .....			E	X
Shutter assembly and controls, radiator—replace	X			
Shutter assembly and controls, radiator—repair..		X		

<b>ELECTRICAL SYSTEM</b>				
Batteries—service, replace or recharge.....	X			
Batteries—repair .....		X		
Batteries—rebuild .....			E	X

See explanatory notes on page 12.

ALLOCATION OF MAINTENANCE DUTIES BY ECHELONS

ELECTRICAL SYSTEM (Cont'd)	ECHELONS			
	2nd	3rd	4th	5th
Conduits and wiring, electrical—replace.....	X			
Conduits and wiring, electrical—repair.....	E	X		
Lamps (all)—service and replace.....	X			
Lamps (all)—repair .....		X		
Switches (all)—replace .....	X			
Switches (all)—repair .....		X		

ENGINE ASSEMBLY

Bearings, connecting rod (inserts)—replace.....	E	E		X
Bearings, crankshaft (inserts)—replace.....	E	E		X
Belts, fan, and generator—service (adjust) and replace .....	X			
Block assembly and cylinder sleeves—rebuild (recondition) .....			E	X
Blower assembly—replace .....	X			
Blower assembly—repair .....		X		
Blower assembly—rebuild .....			E	X
Controls and linkage, engine—replace.....	X			
Controls and linkage, engine—repair.....		X		
Cooler and primary filter assembly, oil—service and replace .....	X			
Cooler and primary filter assembly, oil—repair..		X		
Crankshaft—rebuild (recondition) .....			E	X
*Engine assembly—replace .....	*	X		
Engine assembly—repair .....		X		
Engine assembly—rebuild .....			E	X
Fan assembly—service and replace.....	X			
Fan assembly—repair .....		X		
Filter assembly, oil secondary—service and replace .....	X			
Filter assembly, oil secondary—repair.....		X		
Flywheel assembly—replace or repair.....		X		
Flywheel assembly—rebuild (recondition).....			E	X
Gaskets (handhole cover, lower pan, manifold and valve cover)—replace.....	X			
Gear train, timing—replace.....		X		
Generator assembly—service and replace.....	X			
Generator assembly—repair .....		X		
Generator assembly—rebuild .....			X	
Governor assembly—service (adjust) and replace .....		X		

See explanatory notes on page 12.

**TM 9-1783B**

5

**ORDNANCE MAINTENANCE—MEDIUM TRACTOR M1  
(ALLIS-CHALMERS HD-7W) ENGINE ACCESSORIES**

ENGINE ASSEMBLY (Cont'd)	ECHELONS			
	2nd	3rd	4th	5th
Governor assembly—rebuild .....			E	X
Head assembly, cylinder—replace .....	X			
Head assembly, cylinder—repair .....		X		
Head assembly, cylinder—rebuild (recondition)			E	X
Heater assembly, air box—replace .....	X			
Heater assembly, air box—repair .....		X		
Heater assembly, air box—rebuild .....			E	X
Housing assembly, flywheel—replace .....		X		
Housing assembly, flywheel—rebuild (recondition)			E	X
Injector assembly—replace .....	X			
Injector assembly—repair .....		X		
Injector assembly—rebuild .....			E	X
Lines and connections, oil (external)—replace..	X			
Lines and connections, oil (external)—repair...	E	X		
Lines and connections, oil (internal)—replace or repair .....		X		
Manifold, exhaust—replace .....	X			
Manifold, exhaust—rebuild (recondition) .....			E	X
Manifolds and connectors, fuel—replace .....	X			
Manifolds and connectors, fuel—repair .....	E	X		
Motor, starting—replace .....	X			
Motor, starting—repair .....		X		
Motor, starting—rebuild .....			X	
Pan, crankcase oil (lower)—service and replace	X			
Pan, crankcase oil (upper)—replace .....	E	X		
Pan, crankcase oil (lower or upper)—repair.....		X		
Pistons and rings—replace .....		E	E	X
Pump assembly, fuel—replace .....	X			
Pump assembly, fuel—repair .....		X		
Pump assembly, fuel—rebuild .....			X	
Pump assembly, oil—replace .....	E	X		
Pump assembly, oil—repair .....		X		
Pump assembly, oil—rebuild .....			X	
Pump assembly, water—replace .....	X			
Pump assembly, water—repair .....		X		
Pump assembly, water—rebuild .....			X	
Rod assembly, connecting—replace .....		E	E	X
Sleeve, cylinder—replace .....		E	E	X
Thermostat—replace .....	X			
Valve clearance—service (adjust) .....	X			

See explanatory notes on page 12.



**ALLOCATION OF MAINTENANCE DUTIES BY ECHELONS**

EXHAUST SYSTEM	ECHELONS			
	2nd	3rd	4th	5th
Muffler and pipes—replace.....	X			
<b>EXTINGUISHING SYSTEM, FIRE</b>				
Extinguisher, fire (carbon tetrachloride CCl <sub>4</sub> )— service (refill) and replace.....	X			
Extinguisher, fire (carbon tetrachloride CCl <sub>4</sub> )— repair .....		X		
Extinguisher, fire (carbon tetrachloride CCl <sub>4</sub> )— rebuild .....			E	X
<b>FINAL DRIVE ASSEMBLIES</b>				
Final drive assemblies—replace.....	E	X		
Final drive assemblies—repair.....		X		
Final drive assemblies—rebuild.....			E	X
Sprockets, final drive—replace.....	X			
Sprockets, final drive—repair.....		X		
Sprockets, final drive—rebuild (recondition) ....			E	X
<b>FRAME ASSEMBLY TRUCK</b>				
Crank assemblies, stabilizer—replace.....	X			
Crank assemblies, stabilizer—repair.....		X		
Frame components, truck—replace .....	X			
Frame components, truck—repair .....		X		
Frame components, truck—rebuild .....			E	X
Idler assemblies, track front—replace .....	X			
Idler assemblies, track front—repair .....		X		
Idler assemblies, track front—rebuild .....			E	X
Roller assemblies, track support—replace .....	X			
Roller assemblies, track support—repair .....		X		
Roller assemblies, track support—rebuild .....			E	X
Spring assembly, stabilizer—replace .....	X			
Spring assembly, stabilizer—repair .....		X		
Spring assembly, stabilizer—rebuild .....			E	X
Track adjusting mechanism—service (adjust) and replace .....	X			
Track adjusting mechanism—repair.....		X		
Track adjusting mechanism—rebuild.....			E	X
Track assemblies—replace or repair.....	X			
Track assemblies—rebuild .....			E	X
Wheel assemblies, truck—replace.....	X			
Wheel assemblies, truck—repair.....		X		
Wheel assemblies, truck—rebuild.....			E	X

See explanatory notes on page 12.

**ORDNANCE MAINTENANCE—MEDIUM TRACTOR M1  
(ALLIS-CHALMERS HD-7W) ENGINE ACCESSORIES**

FUEL SYSTEM	ECHELONS			
	2nd	3rd	4th	5th
Cleaners and connections, air—service and re- place .....	X			
Cleaners and connections, air—repair.....		X		
Filters, fuel oil—service and replace.....	X			
Filters, fuel oil—repair.....		X		
Lines and connections, fuel oil—service and re- place .....	X			
Lines and connections, fuel oil—repair.....	E	X		
Pump assembly, air box heater—replace.....	X			
Pump assembly, air box heater—repair.....		X		
Tank assembly, fuel—service and replace.....	X			
Tank assembly, fuel—repair.....		X		

**GEAR TRAIN AND MAIN FRAME  
ASSEMBLY**

Bands, steering clutch brake—service (adjust)..	X			
Bands, steering clutch brake—replace or repair (reline) .....		X		
Case assembly, power take-off—replace.....	X			
Case assembly, power take-off—repair.....		X		
Case assembly, power take-off—rebuild.....			X	
Clutch assemblies, steering—service (adjust)....	X			
Clutch assemblies, steering—replace or repair....		X		
Clutch assemblies, steering—rebuild .....			E	X
Controls and linkage (steering clutch, transmis- sion, and power take-off) (external)—replace X				
Controls and linkage (steering clutch, transmis- sion, and power take-off) (internal)—replace		X		
Controls and linkage (steering clutch, transmis- sion, and power take-off) (external or inter- nal)—repair .....		X		
Drawbar assembly—replace .....	X			
Drawbar assembly—repair .....		X		
Gear assembly, bevel—service (adjust) and re- place .....		X		
Hook, towing—replace .....	X			
Hook, towing—repair .....		X		
Pintle assemblies—replace .....	X			
Pintle assemblies—repair .....		X		
Pintle assemblies—rebuild .....			E	X

See explanatory notes on page 12.

ALLOCATION OF MAINTENANCE DUTIES BY ECHELONS

GEAR TRAIN AND MAIN FRAME ASSEMBLY (Cont'd)	ECHELONS			
	2nd	3rd	4th	5th
Spacer assembly, engine support—replace or re- pair .....		X		
Support assembly, engine—replace or repair.....		X		
Support bottom cover, engine—replace.....	X			
Support bottom cover, engine—repair.....		X		
Support, pintle—replace .....	X			
Support, pintle—repair .....		X		
Transmission components—replace or repair.....		X		
Transmission components—rebuild .....			E	X

INSTRUMENTS AND GAGES

Instruments and gages—replace.....	X			
Instruments and gages—repair.....		X		
Instruments and gages—rebuild.....			E	X
Meter assembly, hour—replace.....	X			
Meter assembly, hour—repair.....		X		
Meter assembly, hour—rebuild.....			E	X
Odometer assembly—replace .....	X			
Odometer assembly—repair .....		X		
Odometer assembly—rebuild .....			E	X

SHEET METAL GROUP

Boxes, street plate and tool—replace.....	X			
Boxes, street plate and tool—repair.....		X		
Dash and instrument panel assembly—replace..	X			
Dash and instrument panel assembly—repair....		X		
Fenders and support assemblies—replace.....	X			
Fenders and support assemblies—repair.....		X		
Hood top plate and doors—replace.....	X			
Hood top plate and doors—repair.....		X		
Rack, luggage—replace .....	X			
Rack, luggage—repair .....		X		
Seat and seat frame—replace.....	X			
Seat and seat frame—repair.....		X		

VEHICLE ASSEMBLY

Tractor, medium (M1, HD-7-W, A.C.)—service	X			
Tractor, medium (M1, HD-7-W, A.C.)—rebuild (with serviceable assemblies).....			X	E

See explanatory notes on page 12.



**ORDNANCE MAINTENANCE—MEDIUM TRACTOR M1  
(ALLIS-CHALMERS HD-7W) ENGINE ACCESSORIES**

**AUXILIARY EQUIPMENT**

	ECHELONS			
	2nd	3rd	4th	5th
<b>ENGINE PREHEATER ASSEMBLY</b>				
Engine preheater assembly—service (refill) and replace .....	X			
Engine preheater assembly—repair.....		X		
Engine preheater assembly—rebuild .....			E	X

**WINCH ASSEMBLY**

Band, worm shaft safety brake—service (adjust) .....	X			
Band, worm shaft safety brake—replace or reline .....		X		
Bearings, drive shaft—replace.....	X			
Cable and hook assembly—replace.....	X			
Cable and hook assembly—repair.....		X		
Chain, winch drive—service and replace.....	X			
Chain, winch drive—repair.....		X		
Drum, worm shaft safety brake—replace.....	X			
Drum, worm shaft safety brake—repair.....		X		
Pin, shear—replace .....	X			
Shaft, assemblies, drive (front and rear)—replace .....	X			
Shaft assemblies, drive (front and rear)—repair .....		X		
Shaft assemblies, drive (front and rear)—rebuild .....			X	
Winch assembly—replace .....	X			
Winch assembly—repair .....		X		
Winch assembly—rebuild .....			E	X

NOTE: Operations allocated will normally be performed in the echelon indicated by "X".

Operations allocated to the echelons as indicated by "E" may be accomplished by respective echelons in emergencies only.

NOTE: \*The second echelon is authorized to remove and reinstall engine and transmission assemblies, transfer unit controlled differential assembly and other items marked by asterisk. However, when it is necessary to replace an item marked by an asterisk with a new or rebuilt part, subassembly or unit assembly, the assembly marked by an asterisk will not be removed from the vehicle by the second echelon until authorization is received from a higher echelon.

## CHAPTER 3 MASTER CLUTCH

	Paragraph
Description .....	6
Trouble shooting .....	7
Removal .....	8
Disassembly .....	9
Inspection and repair.....	10
Assembly .....	11
Installation .....	12
Adjustment .....	13
Clutch brake assembly.....	14
Clutch brake adjustment .....	15

### 6. DESCRIPTION.

a. Because of the tediousness of enumerating the lock washers which normally are included under cap screw heads and under bolt nuts this item will not appear in the text and must be presumed to be included. However, if lock washers are of a special type, or if they are purposely omitted in practice, this fact will be noted. The same is true of bolt nuts.

b. The master clutch is an over-center, lever engaging type. A cam adjustment between the pressure plate and the actuating levers provides the necessary adjustment to assure proper clutch operation. A driven plate, with friction lining on both sides, is riveted to a splined hub carried on the master clutch shaft. All other parts of the clutch except the release mechanism and clutch brake are bolted to the engine flywheel.

c. To engage the clutch, the pressure plate is forced forward against the driven plate by means of the control lever and linkage. This tightly clamps the clutch driven plate between the pressure plate and flywheel, thus transferring power from flywheel to driven plate, which carries it to the transmission. As the control lever is pulled all the way back, the over-center levers snap in to hold the clutch engaged until pressure on the control lever snaps them out to release the clutch. A flexible lubricating tube extends from outside the clutch housing to the release bearing for lubrication of the bearing.

**ORDNANCE MAINTENANCE — MEDIUM TRACTOR M1  
(ALLIS-CHALMERS HD-7W) ENGINE ACCESSORIES**

**7. TROUBLE SHOOTING.**

**a. Slipping.**

Possible Cause	Possible Remedy
Improper adjustment.	Adjust clutch.
Oily facings.	Wash out clutch. Inspect rear main bearing seal and wick in crankshaft for excess oil loss. Replace driven plate assembly, if necessary.
Worn or glazed facings.	Replace driven plate assembly.
Warped pressure plate.	Machine face or replace.

**b. Does Not Engage.**

Facing torn off.	Install new driven plate assembly.
Release bearing failure.	Install new bearings.
Adjusting lock worked loose.	Adjust clutch and inspect locking lug.

**c. Hard to Operate.**

Warped pressure plate.	Machine face or replace.
Throwout bearing or clutch sleeve dry.	Lubricate the bearing which also lubricates the sleeve and shaft.
Linkage worn.	Install new parts and lubricate with engine oil.
Linkage binding.	Clean and lubricate.
Facing torn off.	Replace driven plate assembly.

**d. Clutch Disengages when in Operation.**

Links or pins worn.	Install new pins.
Actuating lever assemblies worn.	Install new lever assemblies.

**e. Noise, Rattles, or Squeaks.**

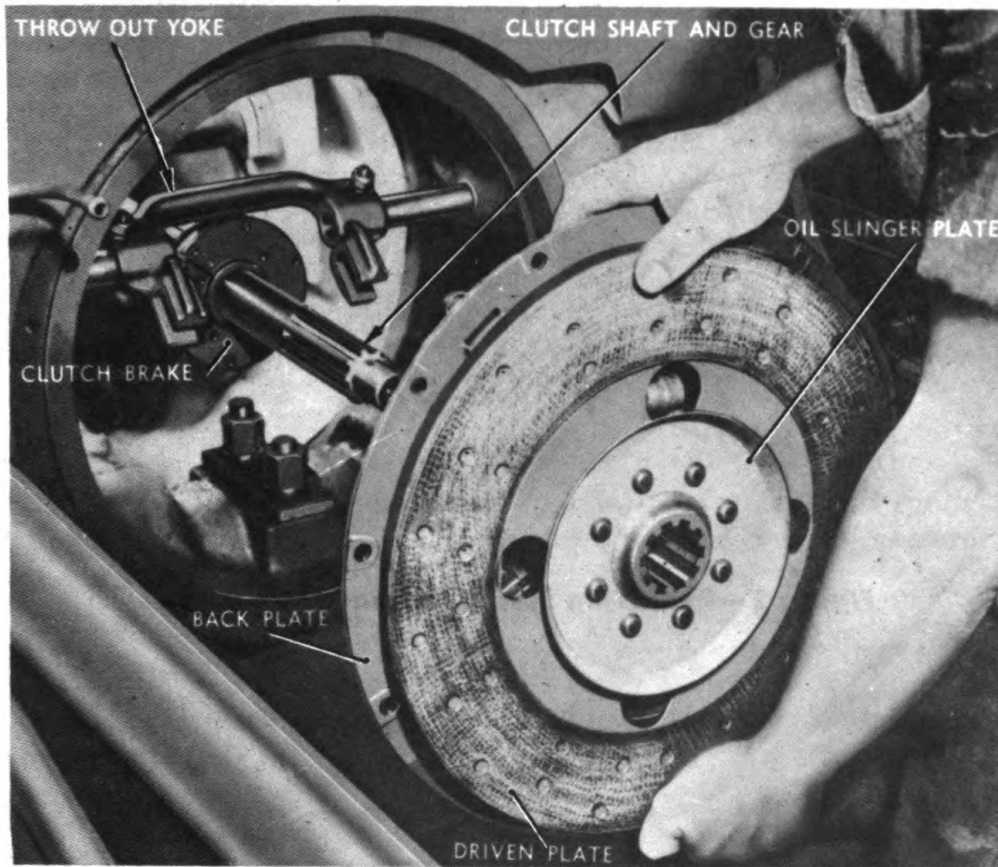
Pilot bearing failure.	Replace bearing, and if caused by lack of lubrication, replace wick in crankshaft.
Release bearing failure.	Replace bearing and inspect lubricating tube for breaks.
Worn clutch shaft splines.	Replace clutch shaft.

**f. Clutch Will Not Disengage.**

Pilot bearing failure (bearing "seized").	Replace bearing and inspect wick in crankshaft.
---	---



**MASTER CLUTCH**



RA PD 306120

**Figure 1 – Removing Master Clutch Assembly**

**8. REMOVAL.**

**a. Equipment.**

BAR, pry  
 HOIST, chain  
 PLIERS  
 ROPE  
 SCREWDRIVER, 6-in.  
 WRENCH,  $\frac{3}{8}$ -in.  
 WRENCH,  $\frac{7}{16}$ -in.  
 WRENCH,  $\frac{9}{16}$ -in. (2)

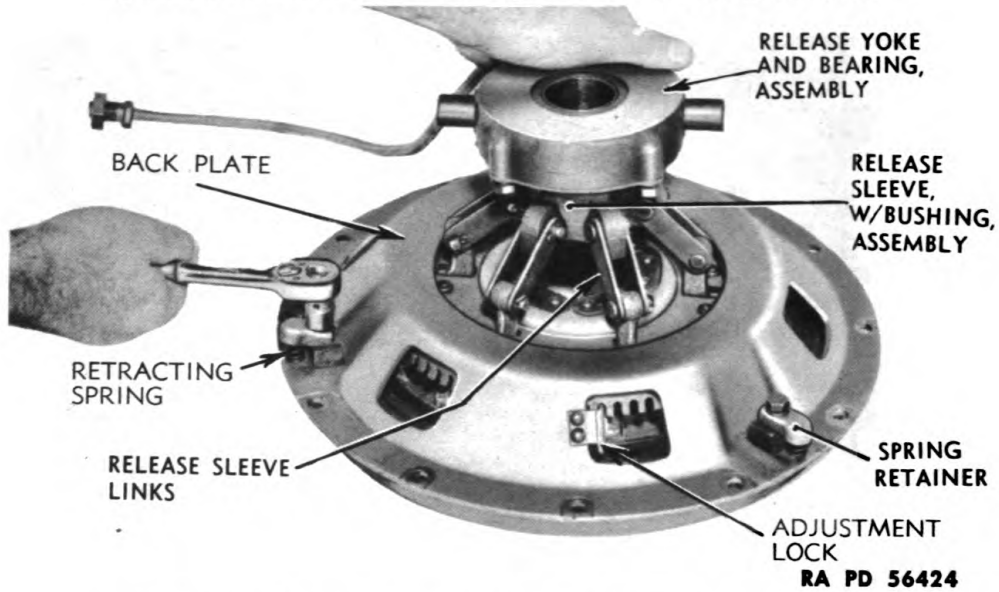
WRENCH,  $\frac{5}{8}$ -in.  
 WRENCH,  $\frac{3}{4}$ -in. (2)  
 WRENCH,  $1\frac{5}{16}$ -in.  
 WRENCH, 1-in.  
 WRENCH, open-end,  
 $1\frac{1}{16}$ -in.  
 WRENCH, open-end,  $\frac{7}{8}$ -in.  
 WRENCH, socket,  $\frac{1}{2}$ -in.

**b. Procedure.**

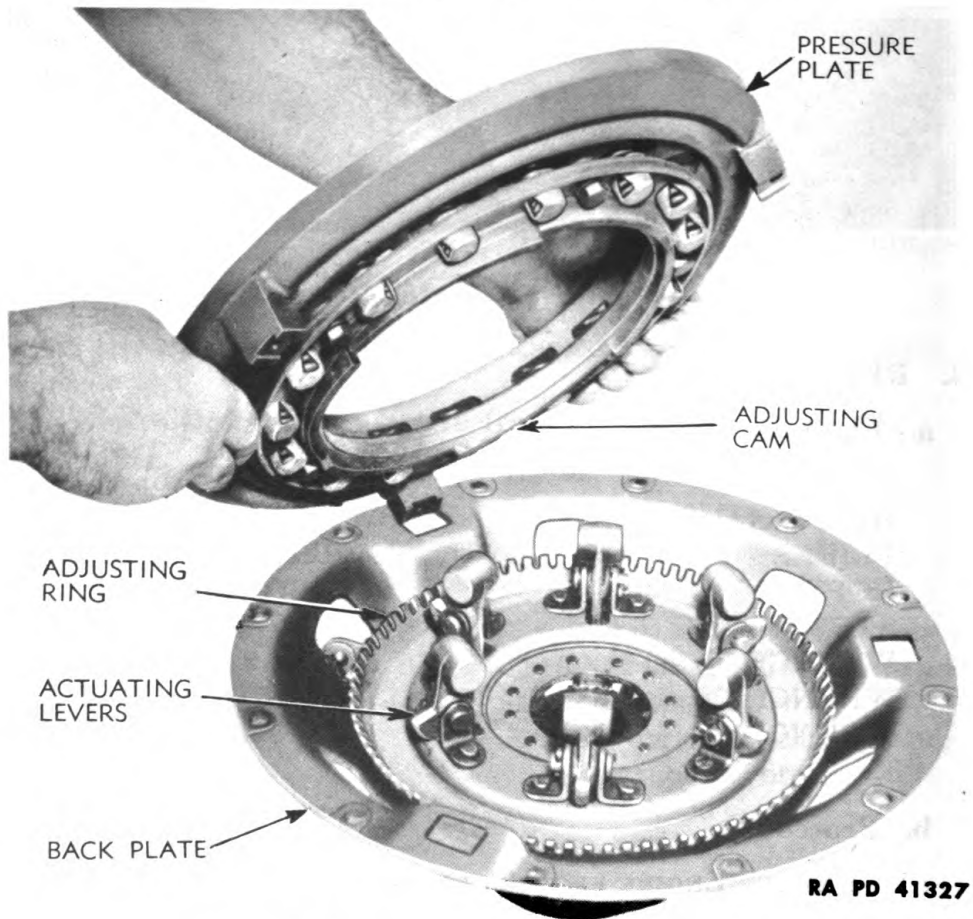
**(1) REMOVE ENGINE FROM TRACTOR.**

It is necessary to remove the engine from tractor to remove master clutch. Refer to TM 9-1783A for removal of engine.

**ORDNANCE MAINTENANCE—MEDIUM TRACTOR M1  
(ALLIS-CHALMERS HD-7W) ENGINE ACCESSORIES**



**Figure 2 — Removing Spring Retainer Cap Screws**



**Figure 3 — Pressure Plate Removed**

**MASTER CLUTCH****(2) REMOVE CLUTCH ASSEMBLY FROM SHAFT.**

Lift off master clutch assembly from shaft.

**9. DISASSEMBLY.****a. Equipment.**

<b>PLIERS</b>	<b>WRENCH, 1/2-in.</b>
<b>PRESS, arbor</b>	<b>WRENCH, 9/16-in.</b>
<b>SCREWDRIVER, 6-in.</b>	

**b. Procedure.****(1) REMOVE PRESSURE PLATE.**

**WRENCH, 1/2-in.**

Remove the three cap screws and lock washers which hold spring retainers and retracting springs to pressure plate and remove pressure plate.

**(2) REMOVE PRESSURE RING.**

**WRENCH, 1/2-in.**

Remove the five cap screws and lock washers which hold pressure ring assembly to pressure plate and remove pressure ring. Remove the drive springs and spring cups.

**(3) REMOVE BEARING RELEASE SLEEVE ASSEMBLY.**

**PLIERS**

Remove the adjusting ring assembly from the back plate. Remove the cotter pins so that the six pins, which form the joints between the actuating levers and the release sleeve links, may be removed. This frees the release sleeve assembly from the adjusting ring assembly. By a similar operation the actuating levers may be removed from the adjusting ring, if necessary.

**(4) REMOVE BEARING RELEASE YOKE.**

<b>PRESS, arbor</b>	<b>WRENCH, 9/16-in.</b>
---------------------	-------------------------

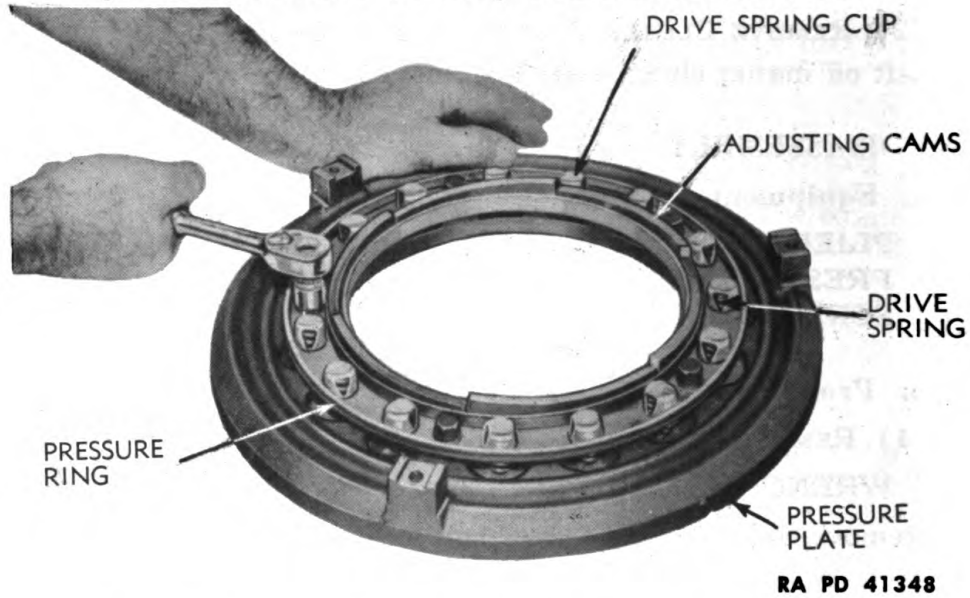
Remove the four cap screws and lock washers which hold bearing retainer to release yoke (9/16-in. wrench) and press release sleeve assembly out of the release yoke (arbor press).

**(5) REMOVE BEARING.**

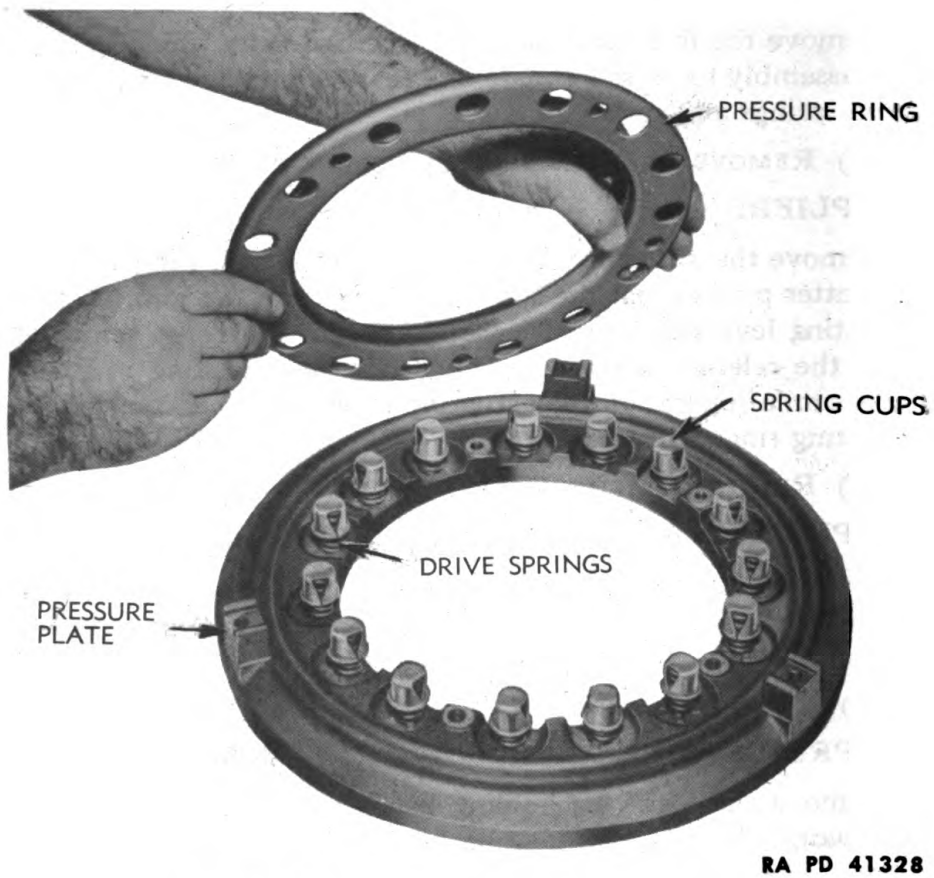
<b>PRESS, arbor</b>	<b>SCREWDRIVER, 6-in.</b>
---------------------	---------------------------

Remove the lock ring holding bearing on release sleeve assembly (screwdriver) and press bearing from release sleeve assembly (arbor press). Remove the bearing retainer and felt ring on shoulder of release sleeve.

**ORDNANCE MAINTENANCE — MEDIUM TRACTOR M1  
(ALLIS-CHALMERS HD-7W) ENGINE ACCESSORIES**

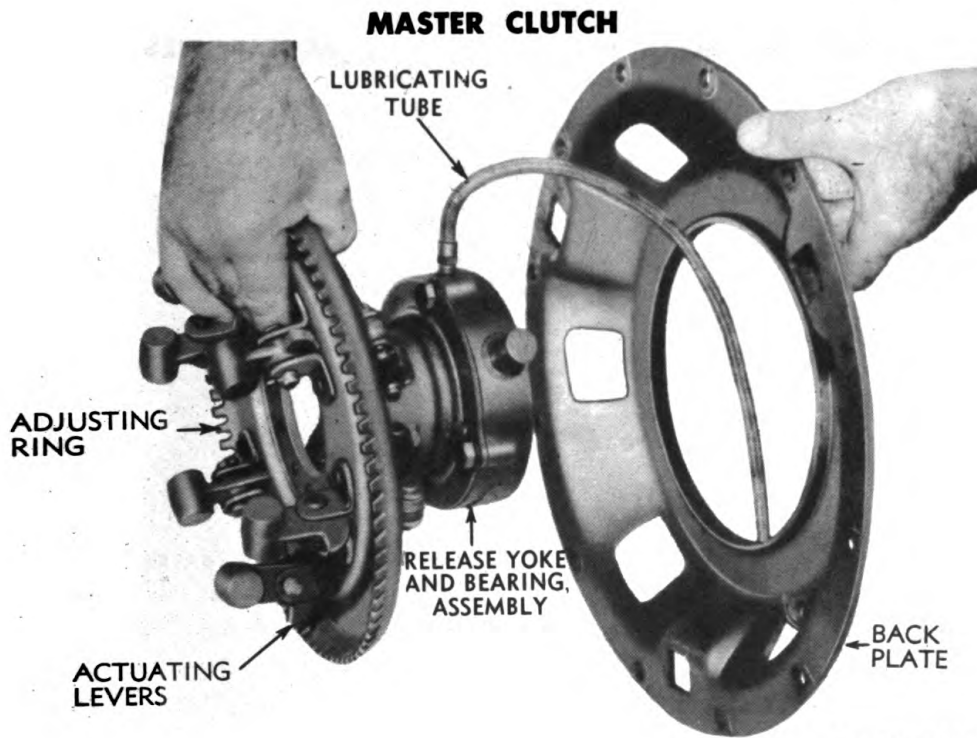


**Figure 4 — Removing Cap Screws from Pressure Ring**

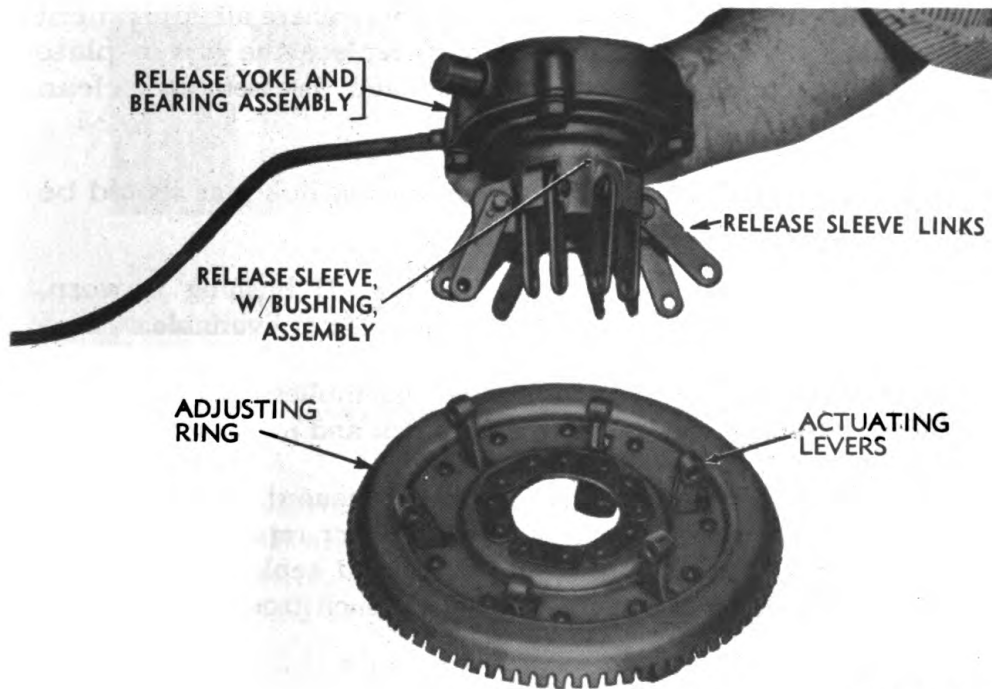


**Figure 5 — Pressure Ring Removed**



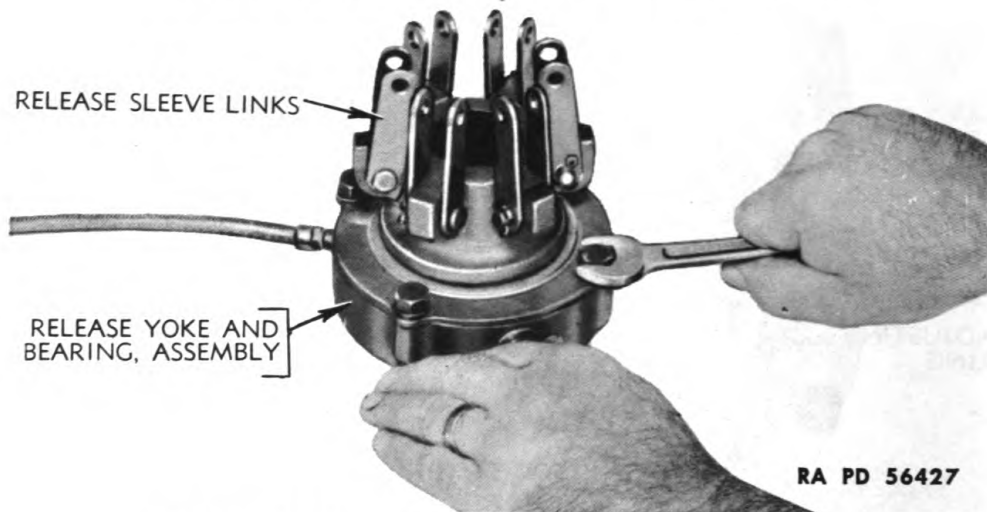


**Figure 6 – Adjusting Ring Assembly Removed**



**Figure 7 – Release Sleeve Assembly Removed**

**ORDNANCE MAINTENANCE—MEDIUM TRACTOR M1  
(ALLIS-CHALMERS HD-7W) ENGINE ACCESSORIES**



**Figure 8 — Removing Cap Screw from Yoke**

**10. INSPECTION AND REPAIR.**

a. The clutch release bearing should be lubricated, after every eight hours of operation, with **GREASE**, general purpose (seasonal grade). Do not overlubricate, as this may get grease on the clutch facings and cause the clutch to slip.

b. After clutch facings have worn to the point where all adjustment has been taken up, it will be necessary to replace the driven plate assembly. After clutch has been removed and disassembled, clean and inspect all parts.

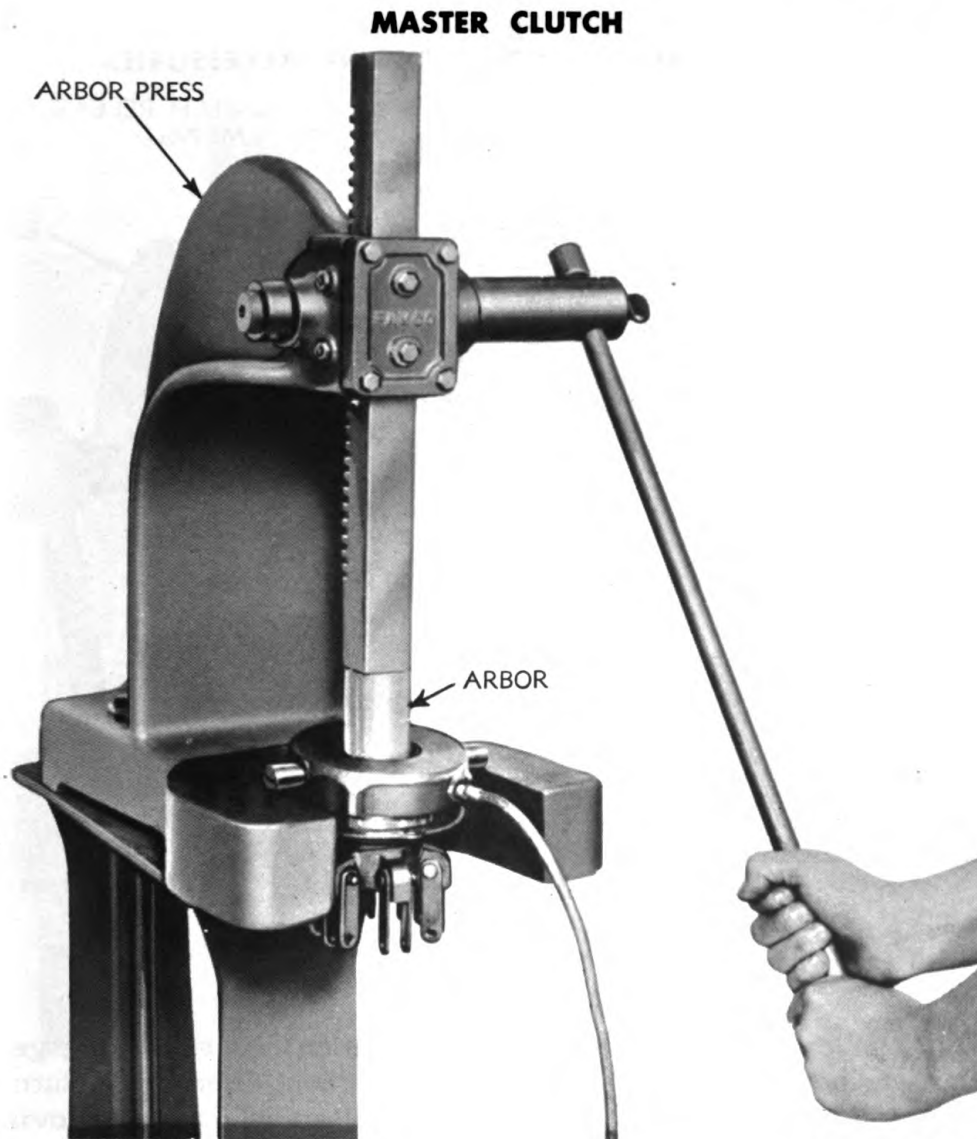
(1) Check linkage. Badly worn sleeve links or link pins should be replaced.

(2) Check wear on clutch sleeve bushing. If bushing is worn, replace clutch sleeve. Replacement bushings are not available.

(3) Check condition of actuating lever assemblies. Replace lever assemblies if they are worn or rollers are stuck and out-of-round.

(4) Inspect pressure plate. Heat checks caused from slipping clutch may be observed, but will not be cause for replacing pressure plate. If pressure plate is badly scored or warped, replace or machine face of plate. Do not remove more than  $\frac{1}{16}$  inch from plate in machining.

(5) Replace driven plate assembly. Do not attempt to reline plate, since the linings are bonded to driven plate by a special process which cannot be duplicated in the field or shop.



**Figure 9 – Removing Sleeve from Yoke**

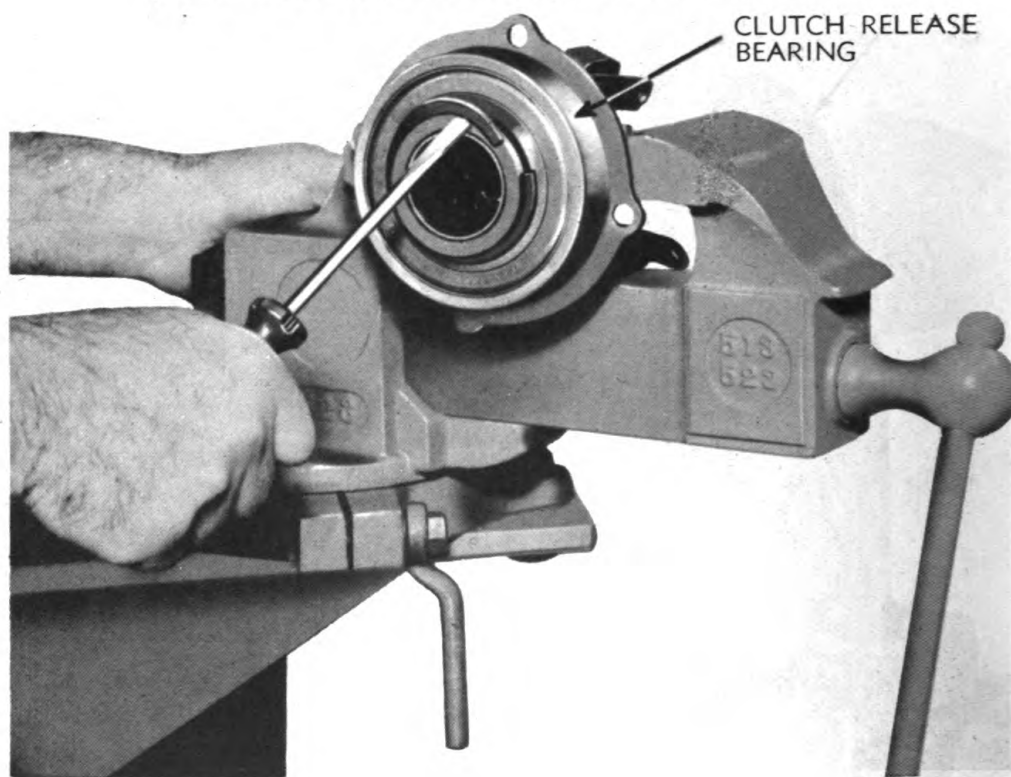
(6) **Reline clutch brake.** These linings are in two halves and held with rivets. It is always well to reline this brake whenever the plate is replaced.

**c. Washing Master Clutch.** If master clutch slips due to overlubrication of release bearing or oil leaking from engine or transmission into clutch compartment, washing of the clutch and compartment will be necessary. Proceed as follows:

(1) Place 1-inch pipe plug in drain hole at left rear of clutch housing.

(2) Remove inspection hole cover and pour about three gallons of Diesel fuel or SOLVENT, dry-cleaning, into clutch compartment.

**ORDNANCE MAINTENANCE—MEDIUM TRACTOR M1  
(ALLIS-CHALMERS HD-7W) ENGINE ACCESSORIES**



RA PD 41325

**Figure 10 – Removing Lock Ring**

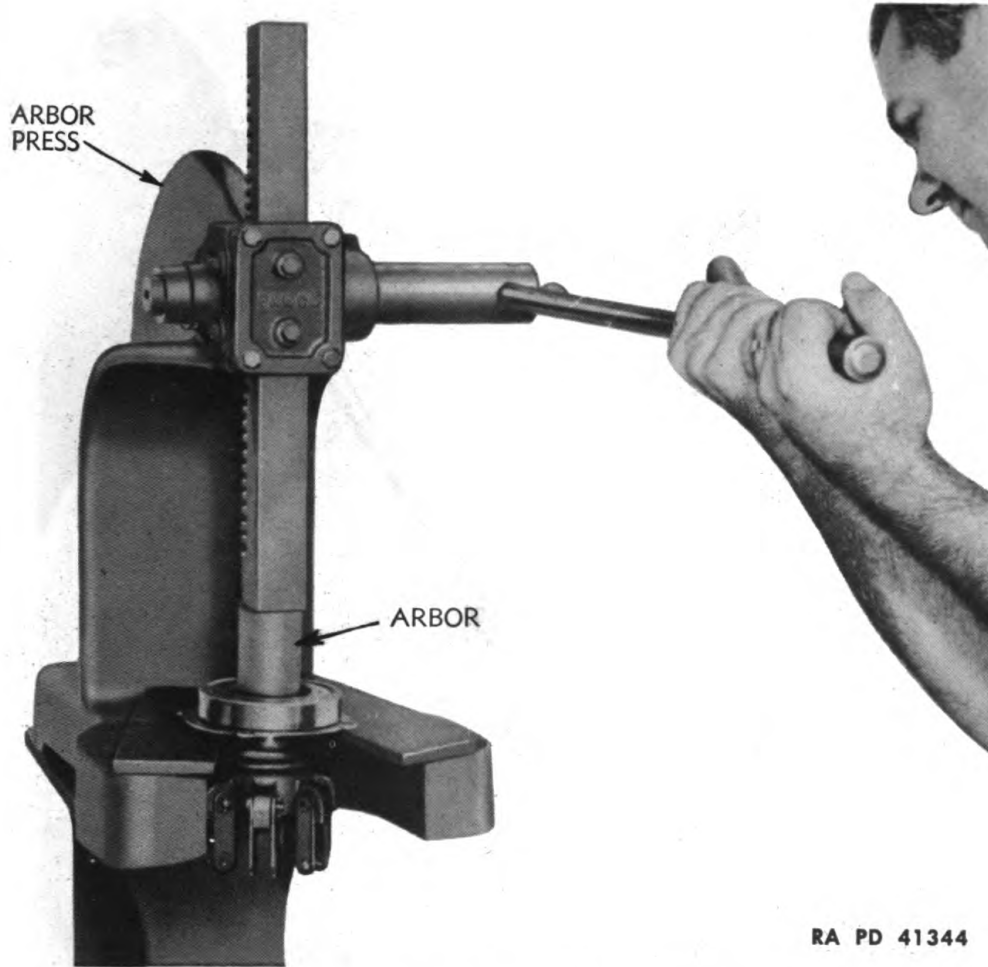
(3) With gearshift lever in neutral position and clutch engaged, start engine. Run engine for five minutes without disengaging clutch; then drain Diesel fuel or SOLVENT, dry-cleaning, out by removing pipe plug.

(4) Again place pipe plug in drain hole. Pour about three gallons of clean Diesel fuel or SOLVENT, dry-cleaning, into clutch compartment and operate engine as before. Disengage and engage master clutch several times while engine is running; then stop engine and drain as before.

(5) Lubricate release bearing thoroughly.

(6) Lubricate clutch mechanism and linkage by splashing about a quart of engine oil against back of clutch assembly and over release assembly linkage. Allow oil to drain from clutch compartment. **NOTE:** This must be done carefully with clutch engaged. An oilcan with flexible spout may also be used if clutch linkage becomes dry and binds, or is hard to operate.

**MASTER CLUTCH**



RA PD 41344

**Figure 11 – Pressing Sleeve from Bearing**

**II. ASSEMBLY.**

**a. Equipment.**

**PLIERS**  
**PRESS, arbor**  
**SCREWDRIVER, 6-in.**

**WRENCH, 1/2-in.**  
**WRENCH, 9/16-in.**

**b. Procedure.**

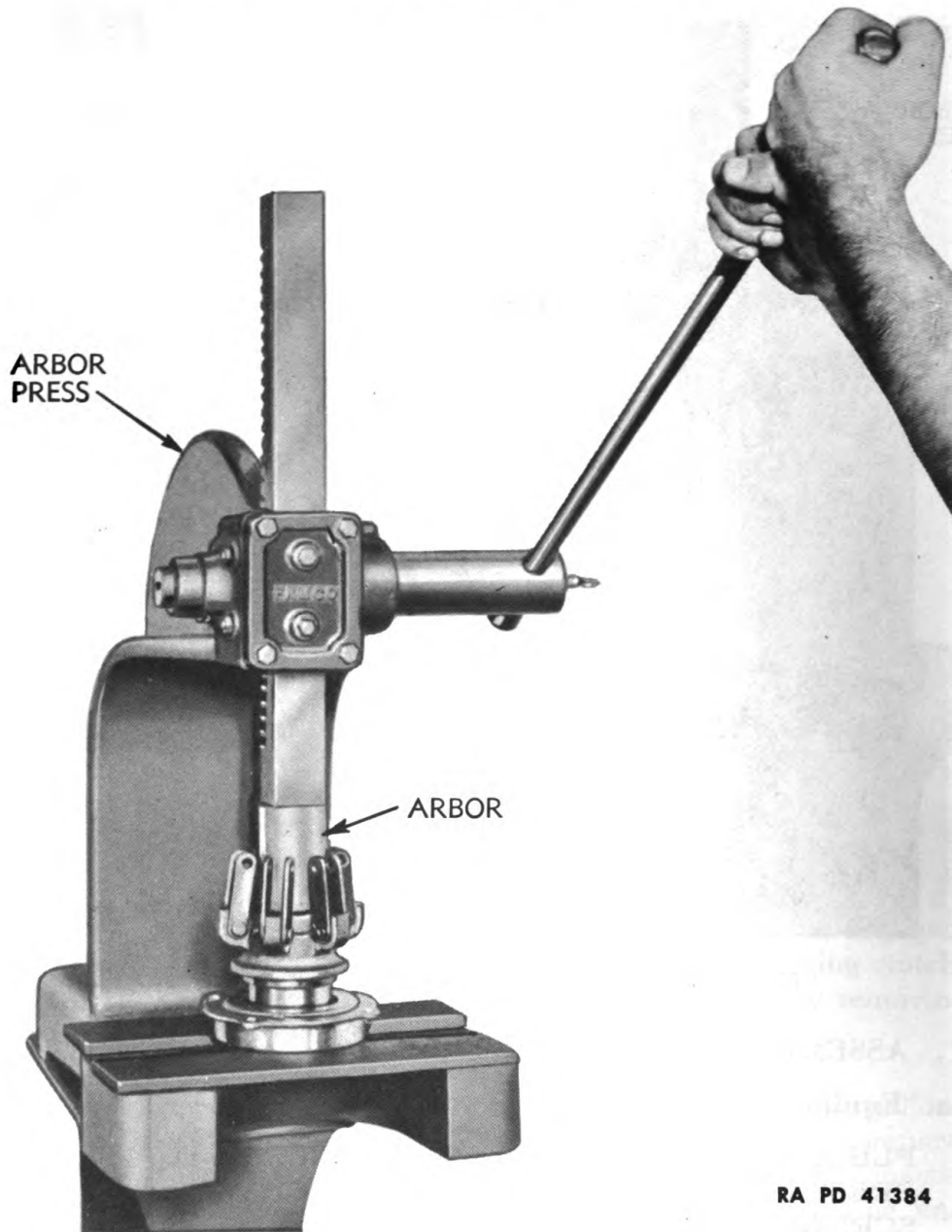
**(1) INSTALL BEARING (par. 6 a).**

**PRESS, arbor**

**SCREWDRIVER, 6-in.**

Place bearing retainer and felt ring next to shoulder on release sleeve assembly. Press bearing on bearing release sleeve assembly (arbor press) and install bearing lock ring (fig. 10) holding bearing on release sleeve assembly (screwdriver).

**ORDNANCE MAINTENANCE—MEDIUM TRACTOR M1  
(ALLIS-CHALMERS HD-7W) ENGINE ACCESSORIES**



RA PD 41384

**Figure 12 – Pressing Sleeve Into Bearing**

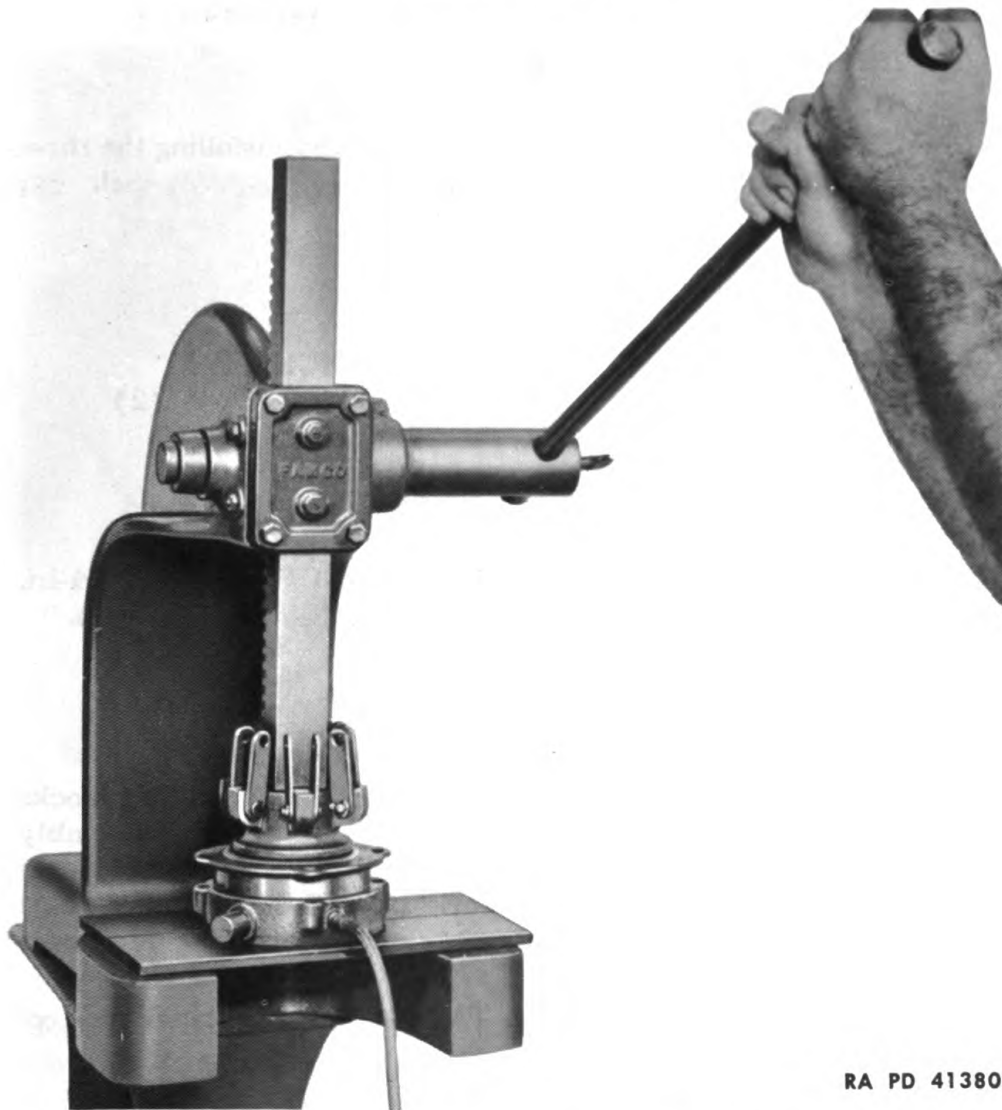
**(2) INSTALL RELEASE SLEEVE ASSEMBLY.**

**PRESS, arbor**

**WRENCH,  $\frac{9}{16}$ -in.**

Press release sleeve assembly into release yoke (arbor press) and install the four  $\frac{3}{8}$ -x  $\frac{5}{8}$ -inch cap screws holding bearing retainer to release yoke ( $\frac{9}{16}$ -in. wrench).



**MASTER CLUTCH**

RA PD 41380

**Figure 13 – Pressing Bearing Sleeve Assembly Into Release Yoke****(3) INSTALL LINK PINS.****PLIERS**

Install six link pins and cotter pins holding release sleeve assembly to actuating levers on adjusting ring assembly.

**(4) INSTALL SPRINGS AND CUPS.****WRENCH, ½-in.**

Install the 15 drive springs and cups on pressure ring assembly and install the five  $\frac{5}{16}$ -x  $\frac{3}{4}$ -inch cap screws holding pressure plate to pressure ring assembly (figs. 4 and 5).



## TM 9-1783B

11-13

### ORDNANCE MAINTENANCE — MEDIUM TRACTOR M1 (ALLIS-CHALMERS HD-7W) ENGINE ACCESSORIES

#### (5) INSTALL PRESSURE PLATE.

WRENCH, 1/2-in.

Install back plate over the pressure plate and, by installing the three retracting springs, spring retainers and three 5/16- x 7/8-inch cap screws, fasten them together (figs. 2 and 3).

## 12. INSTALLATION.

### a. Equipment.

HOIST, chain

PLIERS

PLIERS, battery

ROPE

SCREWDRIVER, 6-in.

WRENCH, 3/8-in.

WRENCH, 7/16-in.

WRENCH, 1/2-in.

WRENCH, 9/16-in. (2)

WRENCH, 5/8-in.

WRENCH, 3/4-in. (2)

WRENCH, 15/16-in.

WRENCH, 1-in.

WRENCH, open-end,

1 1/16-in.

WRENCH, open-end, 7/8-in.

WRENCH, socket, 1/2-in.

### b. Procedure.

#### (1) INSTALL MASTER CLUTCH ON CLUTCH SHAFT.

Place master clutch assembly on clutch shaft. Install sliding blocks on release yoke arms with flange toward bearing. Slip the assembly along the shaft, taking care to see that the sliding blocks on the release yoke and bearing assembly fit into their slots in the throwout yoke. Next install driven plate assembly on clutch shaft with oil slinger plate to front of tractor (fig. 1).

(2) INSTALL ENGINE. Refer to TM 9-1783A for installation of engine in the tractor.

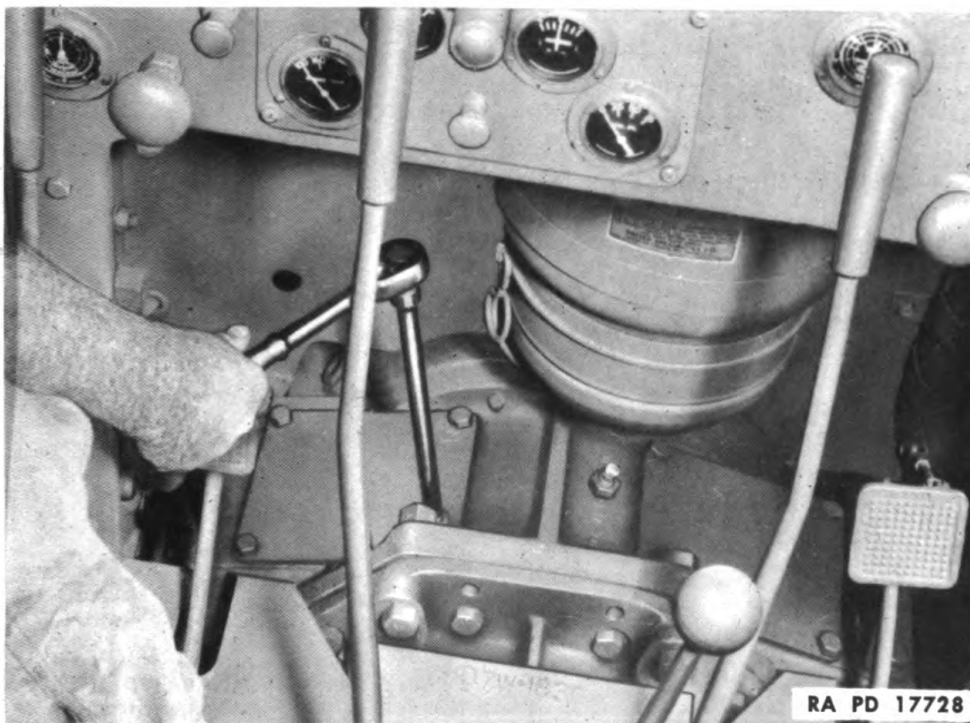
## 13. ADJUSTMENT.

a. Engagement of the master clutch, when in proper adjustment, requires a pull of from 50 to 55 pounds on the control lever when engine is idling, or from 60 to 65 pounds when engine is stopped. It should engage with a snap, and lever will lock into position with an over-center action. When this action is not present, or when the pull required on the lever to engage clutch drops to around 30 pounds, it indicates that the clutch should be adjusted before slippage occurs. These figures assume that there is no binding in any of the linkage. If the linkage is binding in any place, those parts or joints should be freed and lubricated before attempting to obtain the correct adjustment. Do not adjust the clutch too tightly, as that would result in faster wear on the linkage and make operation harder.

### b. Equipment.

BAR, pry

WRENCH, 3/4-in.

**MASTER CLUTCH****Figure 14 – Removing Clutch Cover Plates****c. Procedure.****(1) REMOVE COVER PLATES.****WRENCH, 3/4-in.**

Remove clutch cover plates by removing four cap screws holding each cover to engine spacer.

**(2) TURN CLUTCH TO ADJUSTING POSITION.**

Disengage clutch and revolve the clutch until the adjusting lock is located near the inspection hole (fig. 15).

**(3) DISENGAGE ADJUSTING LOCK.**

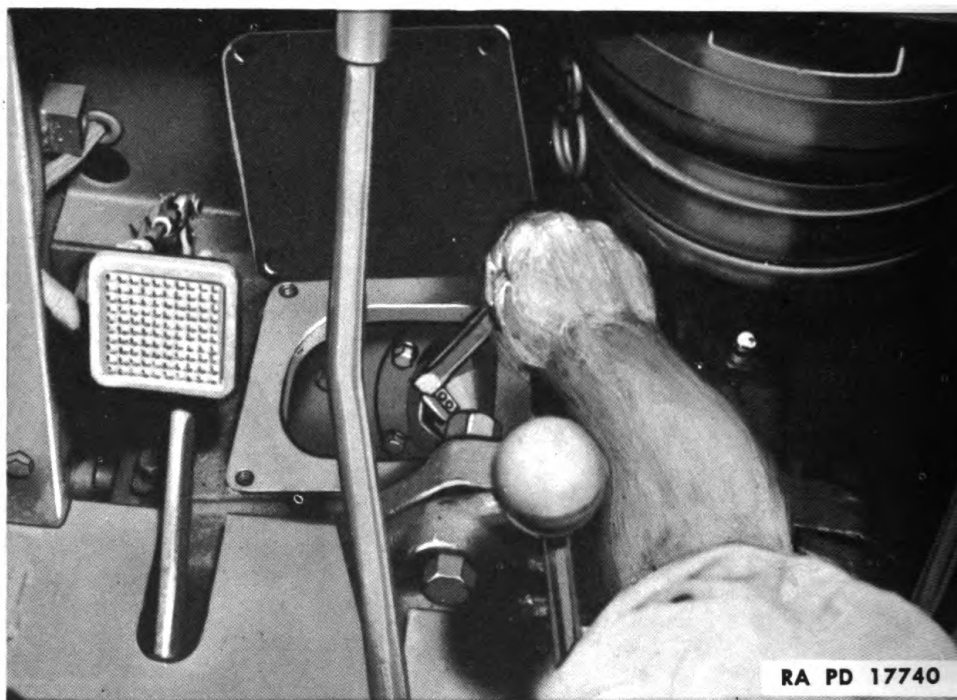
Hinge adjusting lock back out of slot in back plate.

**(4) TURN ADJUSTING RING.****BAR, pry**

Pry on the notches in adjusting ring to turn ring. To tighten clutch, turn adjusting ring clockwise; to loosen it, turn the ring counter-clockwise. Turn ring in desired direction a notch at a time and test pull required on lever to engage clutch until desired pull is obtained.

**(5) LOCK RING IN PLACE.****WRENCH, 3/4-in.**

**ORDNANCE MAINTENANCE—MEDIUM TRACTOR M1  
(ALLIS-CHALMERS HD-7W) ENGINE ACCESSORIES**



**Figure 15 – Adjusting Master Clutch**

Engage adjusting lock in notch in back plate and install inspection covers.

**14. CLUTCH BRAKE ASSEMBLY.**

a. The master clutch brake assembly is a two-piece casting which is bolted around the clutch shaft. The brake is faced on the flanged side with brake lining. When the master clutch lever is pushed forward toward dash, the clutch release bearing yoke is forced back against the clutch brake assembly, which stops the transmission gears and permits easy shifting. This yoke should contact the brake before operator's hand can come in contact with the dash. Though required infrequently, the brake should be adjusted before clutch lever can hit dash. This can be done at a time when covers are removed to adjust master clutch. It is advisable to reline clutch brake when new clutch is installed. The clutch brake assembly is removed by loosening the bolts that clamp the brake to the clutch shaft and sliding the assembly off the shaft (fig. 16).

**15. CLUTCH BRAKE ADJUSTMENT.**

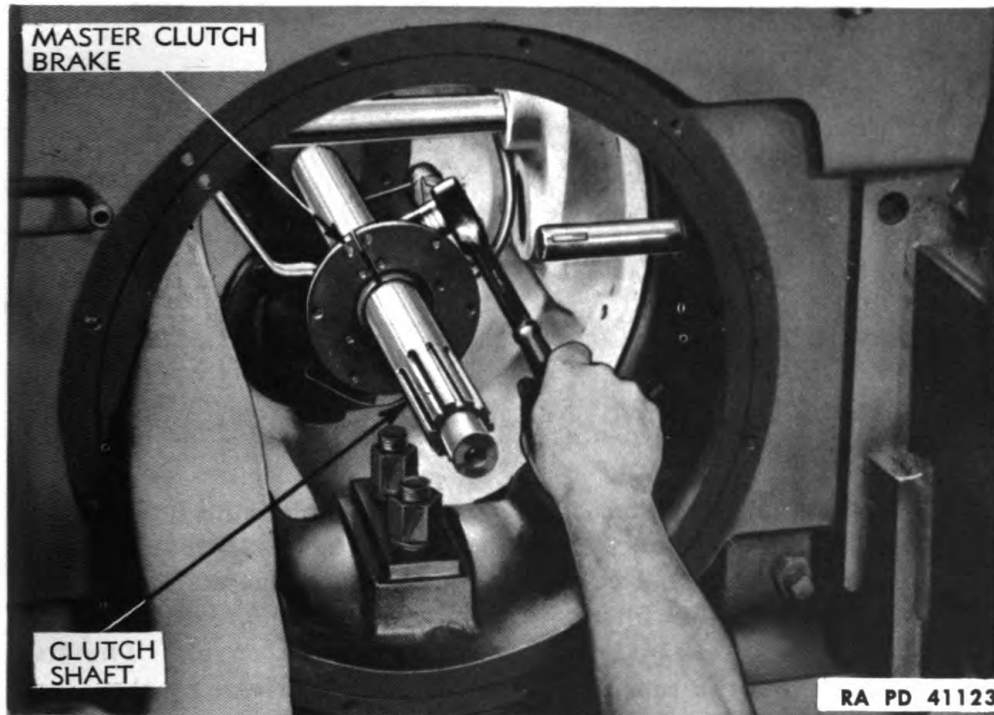
**a. Equipment.**

**PLIERS**

**SCALE, 6-in.**

**WRENCH,  $\frac{9}{16}$ -in.**

**WRENCH,  $\frac{3}{4}$ -in.**

**MASTER CLUTCH**

**Figure 16 – Removing Master Clutch Brake Assembly**

**b. Procedure.**

**(1) REMOVE LOCKING WIRE.**

**PLIERS**

Cut wire running through head of set screw and around the clutch shaft.

**(2) LOOSEN BOLTS.**

**WRENCH,  $\frac{9}{16}$ -in.**

**WRENCH,  $\frac{3}{4}$ -in.**

Loosen set screw ( $\frac{9}{16}$ -in. wrench). Loosen bolts that clamp the two halves of clutch brake to clutch shaft ( $\frac{3}{4}$ -in. wrench).

**(3) ADJUST CLEARANCE.**

**SCALE, 6-in.**

Engage master clutch and move brake assembly ahead on shaft until space between clutch release bearing yoke and brake measures  $1\frac{1}{16}$  inch to  $1\frac{1}{8}$  inch.

**(4) TIGHTEN BOLTS, INSTALL WIRE.**

**PLIERS**

**WRENCH,  $\frac{3}{4}$ -in.**

**WRENCH,  $\frac{9}{16}$ -in.**

Tighten bolts clamping brake assembly to shaft ( $\frac{3}{4}$ -in. wrench). Then tighten set screw ( $\frac{9}{16}$ -in. wrench) and install lock wire through head and around shaft (pliers).

**ORDNANCE MAINTENANCE—MEDIUM TRACTOR M1  
(ALLIS-CHALMERS HD-7W) ENGINE ACCESSORIES**

**CHAPTER 4**

**FUEL AND AIR SYSTEM**

**Section I**

**DESCRIPTION OF SYSTEM**

Description of system.....	Paragraph 16
----------------------------	-----------------

**16. DESCRIPTION OF SYSTEM.**

**a. Fuel system.**

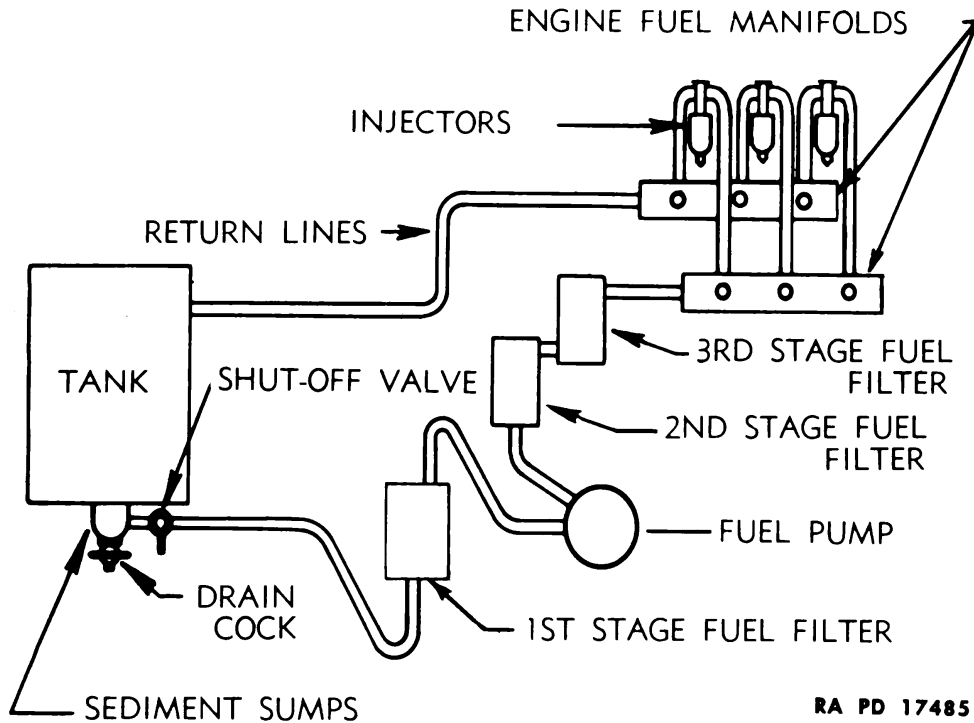
(1) The fuel system consists of a 120-gallon fuel supply tank, fuel pump, fuel filters, and injectors. The first stage fuel filter assembly is mounted on a bracket bolted to the right rear fender under the seat. There are also two other filters—the second stage fuel filter, under the cowl, and the third stage fuel filter, bolted to the engine. The fuel pump is bolted to the rear of the blower and is driven by the lower blower rotor shaft. The injectors—one for each cylinder—are located in the cylinder head directly over the center of each combustion chamber.

(2) The fuel is drawn from the bottom of the fuel tank, and through the first stage fuel filter, by the fuel pump. The fuel is then forced, under about 25-pound pressure, through the second and third stage fuel filters to the lower fuel manifold on the side of the cylinder head. From this manifold the fuel flows—under pressure—to the injectors through a porous bronze filter located in the injector. The surplus fuel leaves the injector, through a similar porous bronze filter, and returns through the upper fuel return manifold and fuel return line to the fuel tank. This continual circulation of fuel oil helps to cool the injectors, warms up the fuel, and eliminates air pockets in the fuel system.

**b. Air Supply.**

(1) Air for combustion and scavenging is supplied by a blower mounted on the right side of the engine, and driven by the blower drive shaft from a gear in the gear train. The blower draws the air from the atmosphere through the air precleaner thence to the oil bath air cleaner; and delivers it clean to the cylinders through air intake ports in the cylinder sleeves. The blower maintains from seven to eight pounds of air pressure in the air box. The scavenging air (fig. 60) is forced into the cylinders by the blower while air intake ports are uncovered by the piston. It thoroughly sweeps out all of the burnt gases through the exhaust valve ports, helps cool the internal engine

**DESCRIPTION OF SYSTEM**



**Figure 17 – Fuel System Diagram**

parts, particularly the exhaust valves, and leaves each cylinder filled with fresh, clean air ready for the compression stroke.

(2) To secure combustion, a small quantity of accurately metered, finely atomized fuel must be mixed, at the end of the compression stroke, with the charge of air which has been forced into the cylinder by the blower. This is accomplished by the injector (section IV of this chapter).

**ORDNANCE MAINTENANCE — MEDIUM TRACTOR M1  
(ALLIS-CHALMERS HD-7W) ENGINE ACCESSORIES**

**CHAPTER 4  
FUEL AND AIR SYSTEM**

**Section II**

**OPERATIONAL INSPECTION**

	Paragraph
Checks for fuel supply system.....	17
Checks for air supply system.....	18

**17. CHECKS FOR FUEL SUPPLY SYSTEM.**

**a. Low Fuel Pressure.** Normal fuel pressure is from 20 to 30 pounds on the gage at operating engine speed. **DO NOT OPERATE** when the fuel pressure is not within this range. When pressure drops below 30, proceed as follows:

(1) Drain sediment sumps under fuel tank of all water and sediment.

(2) Remove first stage fuel filter element and test fuel line from the tank to this filter to be absolutely sure that it is open. If necessary, replace the first stage fuel filter element with a new one. When installing new element, make certain that the filter cap gasket is in its proper place to prevent leakage. When starting engine after replacing this filter element, it may be necessary to open drain at bottom of filter to allow air to escape before fuel will start to circulate through fuel system.

(3) Start engine and check to see whether fuel oil pressure comes up to normal. If not, stop the engine and replace element in second stage fuel filter. Check fuel lines for obstructions and leaks and again start engine to determine whether fuel oil pressure comes up to normal.

(4) If fuel oil pressure is still below normal, replace element in third stage fuel filter. If all fuel line connections are tight, eliminating all possibility of air leaks, and pressure still does not come up to normal after above procedure, the fuel pump will have to be removed for cleaning, repair, rebuilding, or a new pump installed.

**b. Insufficient Fuel with Fuel Pressure Normal.** If the fuel pressure is within the normal range and the operation of engine indicates that insufficient fuel is being supplied to the injectors, proceed as follows to locate the trouble:

(1) Check for obstructions in fuel lines and fuel manifold carrying fuel to the injectors. Also see that return fuel manifold and return fuel line to tank are not restricted in any way. To check the return



## OPERATIONAL INSPECTION

flow, remove fuel tank cover and look into tank. When the engine is running at fast idle, there should be an ample flow of fuel into the tank from the return line.

(2) If no restriction is found in any part of fuel system as outlined in the preceding paragraphs, it is likely that the porous bronze filters in one or more of the injectors are clogged and the injectors will have to be removed for cleaning. See section IV of this chapter.

### 18. CHECKS FOR AIR SUPPLY SYSTEM.

**a. Insufficient Air Supply.** Lack of sufficient air for combustion is usually indicated by black smoke issuing from the exhaust stack. As explained in section I, the blower maintains approximately eight pounds of air pressure in the air box of the engine, which is sufficient to effect clean combustion and burning of fuel. If indications point to lack of air, inspect as follows:

(1) Inspect precleaner to see that air inlet openings are not clogged with grass, leaves, or other trash.

(2) Check lower end of central air passage tube in oil bath air cleaner. Dust mixed with oil from the air cleaner will sometimes collect in this passage and restrict air flow through this tube.

**b. Air Box Drain Tube.** With engine running, hold hand below end of tube. If this tube is clogged, no air will be felt coming out, and the tube and elbow should be removed and cleaned. This tube allows unburned fuel which collects in the air box to drain out if a leak should develop in the air heater fuel pump line or if engine is allowed to run at idling speed for an extended period. A blast of air will be felt coming from tube if it is not clogged.

**ORDNANCE MAINTENANCE — MEDIUM TRACTOR M1  
(ALLIS-CHALMERS HD-7W) ENGINE ACCESSORIES**

**CHAPTER 4  
FUEL AND AIR SYSTEM**

**Section III  
TROUBLE SHOOTING**

Trouble shooting for system..... Paragraph 19

**19. TROUBLE SHOOTING FOR SYSTEM.**

**a. Engine Fails to Start.**

Possible Cause	Possible Remedy
Fuel and air shut-off controls out of adjustment.	Correct control rod adjustment.
Insufficient fuel to injectors.	Inspect fuel supply, fuel shut-off valve, fuel filters, fuel pump, and lines.
Cold weather.	Use air heater.
Fuel shut-off lever on governor loose on shaft.	Adjust lever and tighten clamp bolt.

**b. Lack of Power.**

Injectors out of time.	Time injectors.
Injectors not equalized.	Equalize injectors.
Improper fuel.	Obtain proper fuel.
Fuel filters clogged.	Replace filter elements.
Defective fuel pump.	Repair or replace.
Oil bath air cleaner clogged.	Remove cup; clean and refill cup and clean out air intake pipe.
Precleaner clogged.	Service precleaner.
Fuel lines clogged.	Inspect fuel lines.

**c. Excessive Black Smoke from Exhaust.**

Air box handhole cover gaskets leaking.	Tighten or install new gaskets.
Insufficient air supply.	Inspect air supply system.
Air box drain clogged.	Open drain.
Injectors out of time.	Time injectors.
Injectors not equalized.	Equalize injectors.
Defective injector.	Repair or replace injector.

**d. Excessive Blue Smoke.**

Insufficient fuel to injectors.	Inspect fuel supply to injectors.
Injectors not equalized.	Equalize injectors.
Defective injectors.	Repair or replace.

## CHAPTER 4 FUEL AND AIR SYSTEM

### Section IV

### FUEL INJECTORS

	Paragraph
Description .....	20
Trouble shooting .....	21
Removal from engine.....	22
Disassembly .....	23
Inspection and repair.....	24
Assembly .....	25
Test for operation.....	26
Installation .....	27
Valve clearance adjustment.....	28
Injector timing .....	29
Injector equalizing .....	30
Special tools .....	31

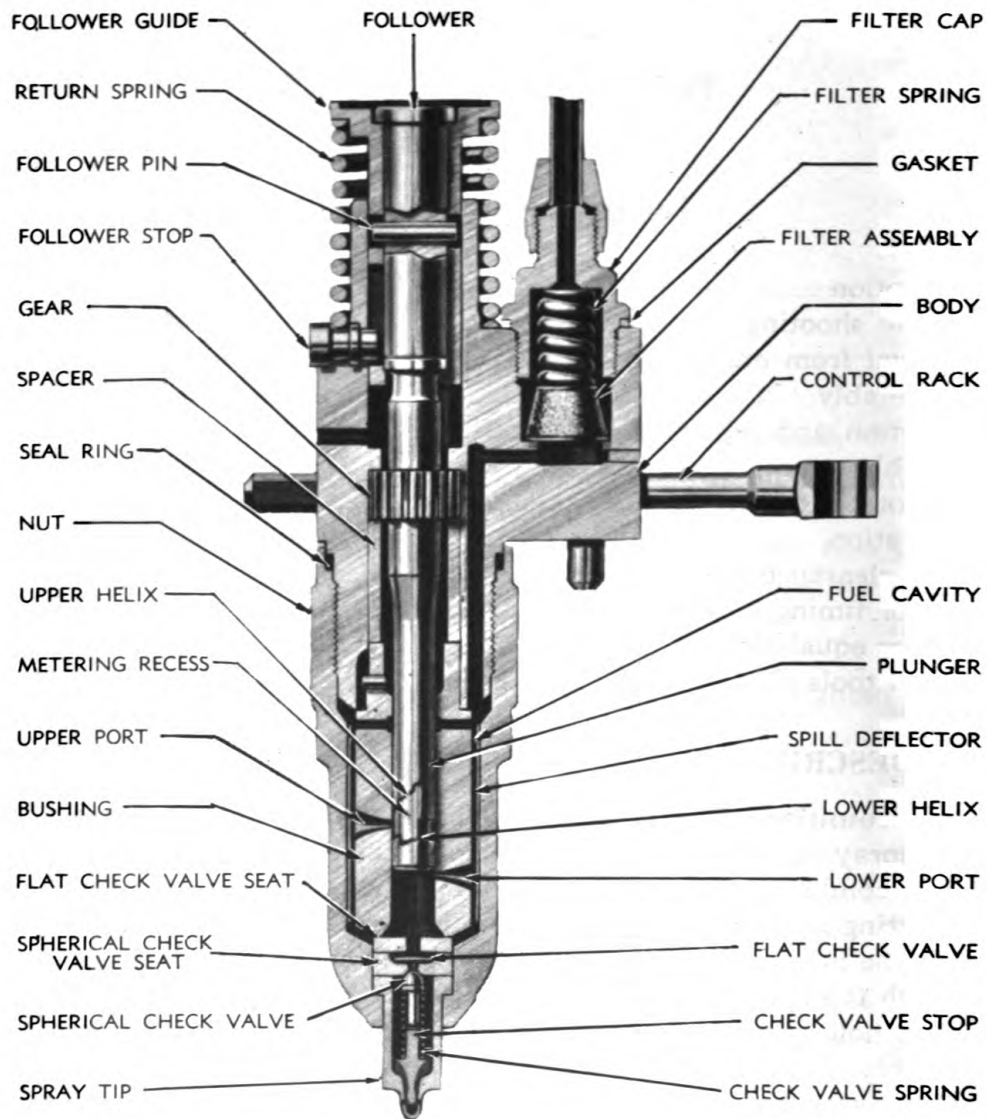
#### 20. DESCRIPTION.

**a. Mounting.** The injectors are mounted in the cylinder head, with their spray tips projecting slightly below the top of the inside surface of the combustion chambers. A clamp—bolted to the cylinder head and fitting into machined recesses on each side of the injector body—holds the injector in place in a water-cooled copper tube which passes through the cylinder head. A dowel pin in the injector body registers with a hole in the cylinder head for accurately locating the injector assembly. A taper seat on the lower end of the injector forms a tight seal between the injector and the copper tube to withstand the high pressure inside the combustion chamber.

#### **b. Construction and Operation.**

(1) The cutaway view of the model 71 fuel injector (fig. 18) shows the various injector parts. Diesel fuel is supplied to the injector at a pressure of about twenty pounds per square inch and enters the drop-forged steel body at the top through the filter cap. It passes through the fine-grained filter element in the inlet passage and fills the supply chamber which is the cylindrical space around the bushing, between it and the spill deflector. The bore of this bushing is connected to the supply chamber by two funnel-shaped ports, and the plunger which forces fuel into the combustion chamber operates up and down in the bushing bore.

ORDNANCE MAINTENANCE—MEDIUM TRACTOR M1  
(ALLIS-CHALMERS HD-7W) ENGINE ACCESSORIES



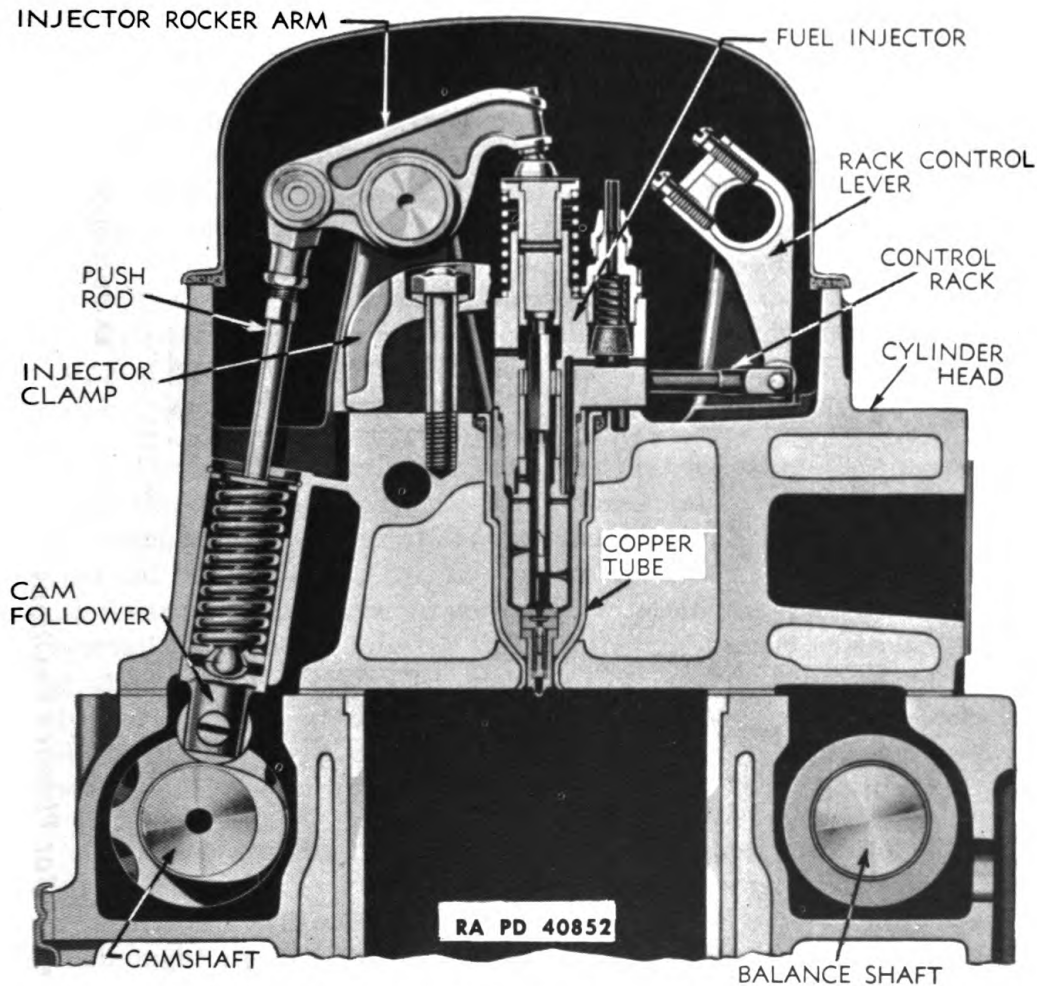
RA PD 65818

**Figure 18 – Cross Section of Injector**

(2) This up and down motion is transmitted to the plunger by the follower which is given its upward motion by the return spring and forced down on the injection stroke by the rocker arm (fig. 19). The plunger can also be rotated by means of the control rack and gear, and it is this rotary motion which makes it possible to vary the amount of fuel injected and the time of its injection to suit the operating load on the engine. The way in which this rotary motion of the plunger controls the injection of fuel is shown in step (4) below.

(3) An upper helix and a lower helix are machined into the lower end of the plunger and the space between the two helices is called the

**FUEL INJECTORS**



**Figure 19 – Fuel Injector Mounting Details**

metering recess (fig. 18). A drilled hole in the center of the plunger connects this metering recess with the fuel chamber below the plunger. This fuel chamber fills with fuel from the supply chamber through the upper and lower ports while the plunger is at the top of its stroke. Fuel from the upper port passes into the metering recess and down through the drilled hole (fig. 20). As the plunger comes down on its injection stroke, it first covers the lower port. As it continues downward, fuel in the chamber below the plunger bypasses up through the drilled hole and out the upper port until the upper port is closed by the upper helix (fig. 20). Fuel below the plunger is now trapped and is forced out through the spray tip into the combustion chamber. Injection continues, as the plunger moves on down, until the lower helix uncovers the lower port (fig. 20). This permits the fuel to bypass up through the drilled hole and out the lower port (fig. 20).

(4) Thus it is seen that the upper helix controls the start of injection and the lower helix controls the end of injection. For each differ-

ORDNANCE MAINTENANCE—MEDIUM TRACTOR M1  
(ALLIS-CHALMERS HD-7W) ENGINE ACCESSORIES

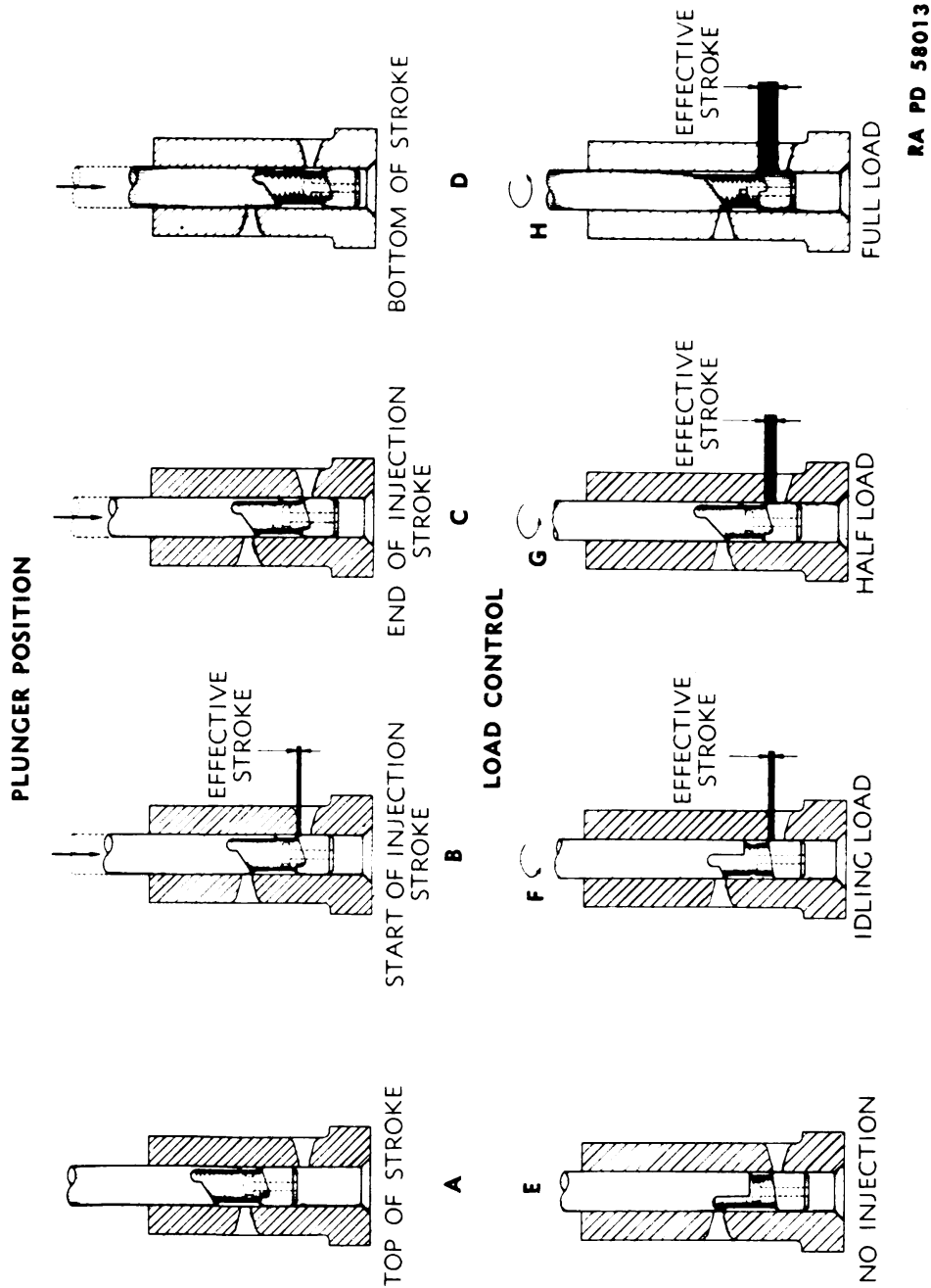


Figure 20 — Injector Plunger Positions

## FUEL INJECTORS

ent position, as the plunger is rotated, a different portion of each helix acts to cover the upper or lower ports. This is clearly shown in E, F, G, and H, figure 20. When the fuel rack is pulled all the way out (fuel shut off) no fuel is injected because the upper helix covers the upper port to start injection at the same time that the lower helix uncovers the lower port to end injection. F and G, figure 20, show the plunger rotated to idling load and half load, and H shows the plunger position with the control rack all the way in and the injector delivering its maximum fuel charge to the cylinders (full load). Note that the timing of both the start of injection and the end of injection is varied to meet the load conditions.

(5) During the effective stroke of the plunger, when both ports are closed, the downward motion of the plunger builds up pressure in the fuel trapped below it until that pressure is high enough to lift the spherical check valve (fig. 18) off its seat. This permits the fuel, under very high pressure, to spray out in atomized form through the six small holes in the injector tip into the combustion chamber. The flat check valve prevents air leakage from the combustion chamber into the fuel system in case the spherical check valve is accidentally held open by a small particle of dirt. Thus the injector continues to operate until the particle works through the spherical check valve.

(6) Fresh, cool fuel is always in constant circulation from the fuel tank through the fuel filters, through the injectors and back to the fuel tank. This carries away heat from the injectors and any air which might accumulate in the system and interfere with the accurate metering of the fuel and the operation of the engine. *No venting or bleeding of the fuel lines or injectors is, therefore, required at any time, even when starting after the system has been empty.* The fuel injector outlet opening, through which excess fuel supplied by the fuel pump returns to the tank, is located beside the inlet opening, and is protected against dirt or other foreign matter by a fine-grained filter element, exactly like the one on the inlet side.

**c. Injector Control.** Each injector control rack is connected by a detachable joint to a lever on a common control shaft, which is linked to the governor and throttle (fig. 41). These levers can be rotated independently on the control shaft by the adjustment of two screws which permit a uniform setting of all injector racks.

### **d. Injector Service.**

(1) The injector is one of the most important and carefully constructed parts of the engine. It must inject exactly the right amount of fuel into the combustion chamber at exactly the right time. The injector works against high compression in the combustion chamber,



**ORDNANCE MAINTENANCE — MEDIUM TRACTOR M1  
(ALLIS-CHALMERS HD-7W) ENGINE ACCESSORIES**

and all injector parts must be maintained in clean, first-class condition at all times for efficient operation. The same care and cleanliness must be exercised when servicing the injector as was given it when originally manufactured.

(2) No service operation should be attempted on the injector unless the mechanic has first acquired a complete understanding of its construction and operation. This text thoroughly describes the working principle, shows the construction, and explains how to service the unit. While a skilled mechanic may intelligently service the injectors, using the instructions in this section as a guide, time and expense may be saved by changing the unit rather than attempting repairs, especially in dirty surroundings.

**21. TROUBLE SHOOTING.**

**a. Engine Detonates (Knocks).**

Possible Cause	Possible Remedy
Injector out of time.	Time injector.
Injector not equalized.	Equalize injector.

**b. Black Exhaust Smoke.**

Spray tip burned off.	Replace tip.
Spherical valve inoperative.	Replace valve and seat.

**c. Engine Misses on One Cylinder.**

Insufficient fuel to injector.	Check injector filters.
Spray tip clogged.	Clean spray tip.
Plunger stuck.	Replace plunger and bushing.

**d. Lubricating Oil Diluted.**

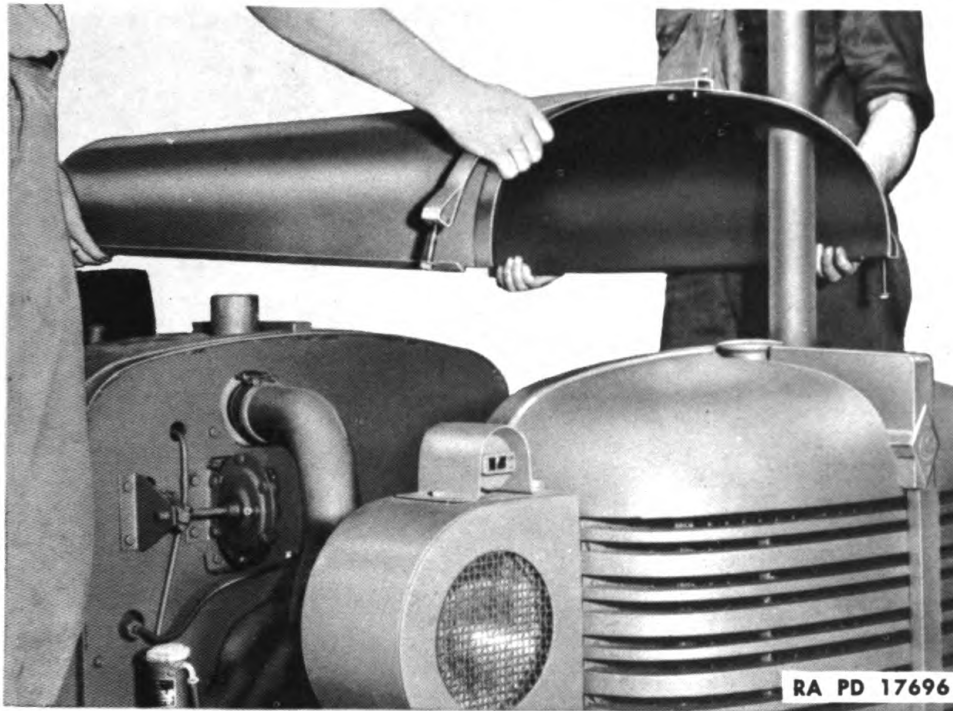
Worn plunger and bushing (fuel bypassing plunger).	Replace plunger and bushing.
Injector fuel line fittings leaking.	Repair or tighten.

**22. REMOVAL FROM ENGINE.**

**a. Equipment.**

BAR, pry	WRENCH, open-end,
TOOL, injector remover	9/16-in.
WRENCH, 7/16-in. (2)	WRENCH, open-end,
WRENCH, 3/4-in.	1 1/16-in.
WRENCH, open-end, 1/2-in.	

## FUEL INJECTORS



**Figure 21 – Removing Hood**

### b. Procedure.

#### (1) REMOVE PRECLEANER AND HOOD.

BAR, pry  
WRENCH,  $\frac{7}{16}$ -in. (2)

WRENCH open-end,  
 $\frac{9}{16}$ -in.

Loosen clamp at base of precleaner (two  $\frac{7}{16}$ -in. wrenches) and lift precleaner off. Loosen the nuts on the hood hold-down straps at each corner of the hood; pry bolts out of slot. Remove bolt at left rear corner inside battery box ( $\frac{9}{16}$ -in. wrench) and lift hood off over exhaust stack.

#### (2) REMOVE ROCKER ARM COVER.

Clean the rocker arm cover thoroughly and remove the cover by loosening the two hand screws that hold the rocker arm cover to the cylinder head.

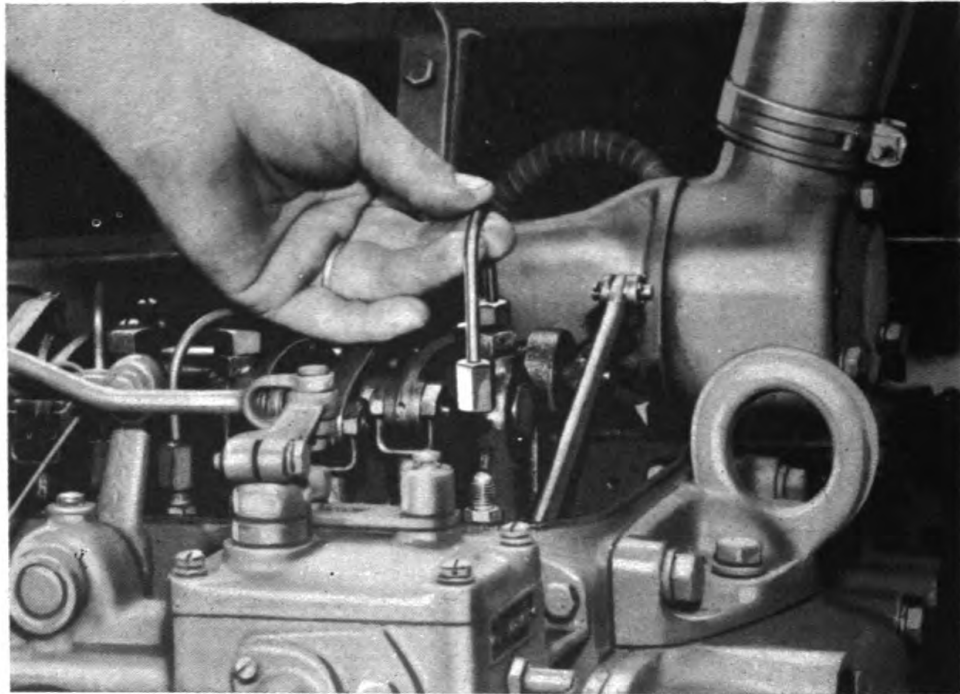
#### (3) REMOVE FUEL LINES.

WRENCH, open-end,  $\frac{1}{2}$ -in.

Close the fuel shut-off valve at the tank.

Disconnect the fuel lines of the injector to be removed and place shipping caps on the fuel fittings to prevent dirt from entering the fuel system (fig. 22).

**ORDNANCE MAINTENANCE—MEDIUM TRACTOR M1  
(ALLIS-CHALMERS HD-7W) ENGINE ACCESSORIES**



RA PD 17606

**Figure 22 – Injector Fuel Line Removed**

**(4) REMOVE ROCKER SHAFT BRACKETS AND SHAFT.**

WRENCH,  $\frac{3}{4}$ -in.

WRENCH, open-end,  $\frac{1}{2}$ -in.

Loosen push rod lock nuts ( $\frac{1}{2}$ -in. wrench). Remove the two special cap screws which hold the rocker shaft brackets ( $\frac{3}{4}$ -in. wrench) to the cylinder head and remove the brackets from the shaft. Slide the shaft from the rocker arms and fold the arms back. Unscrew rocker arms from push rods. **CAUTION:** When removing the rocker arm shaft, fold back the three rocker arms and shaft just far enough so shaft can be pulled endwise. Do not force the rocker arms back with shaft in place and impose a load on the rocker arm push rod.

**(5) REMOVE INJECTOR.**

TOOL, injector remover

WRENCH,  $\frac{9}{16}$ -in.

Remove the nut holding injector clamp ( $\frac{9}{16}$ -in. wrench) and lift off clamp washer and clamp. Place square end of injector remover tool under shoulder of injector body and pry injector from its seat; at the same time disengage the control rack linkage.

**23. DISASSEMBLY.**

**a. Equipment.**

JAWS, injector body, vise

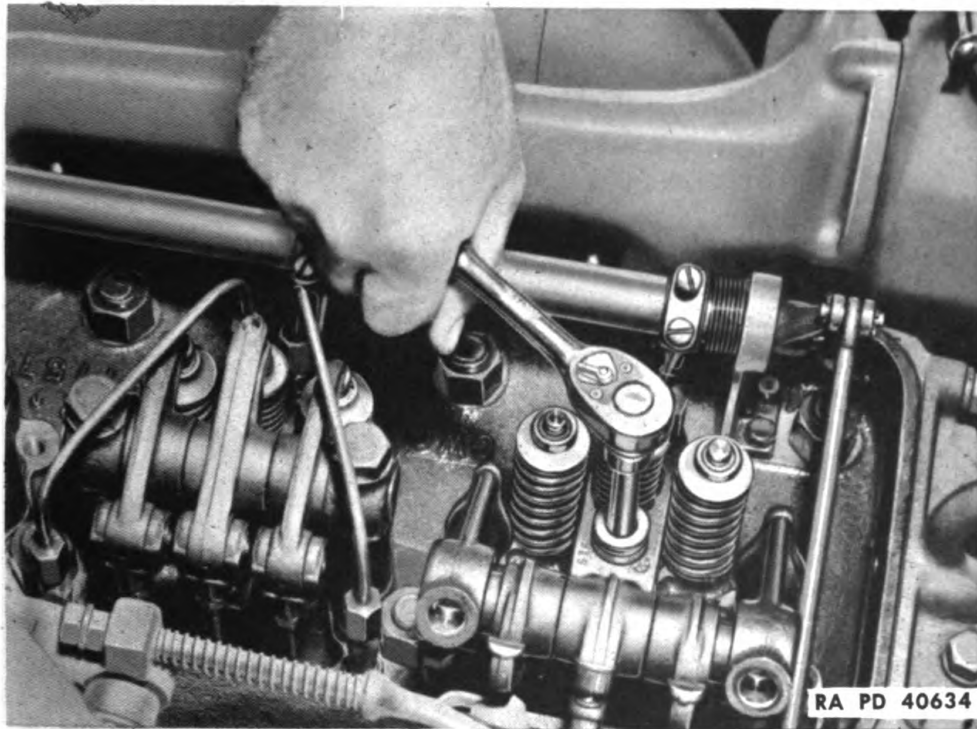
LIFTER, injector spring

PANS, containing clean

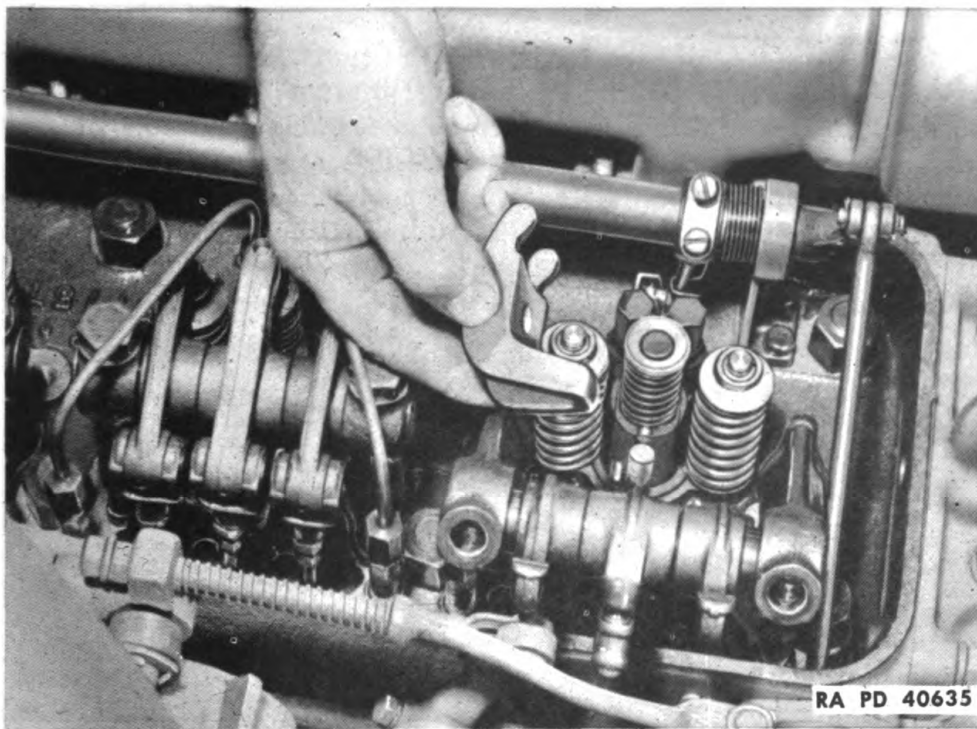
Diesel fuel (2)

WRENCH, injector nut

**FUEL INJECTORS**

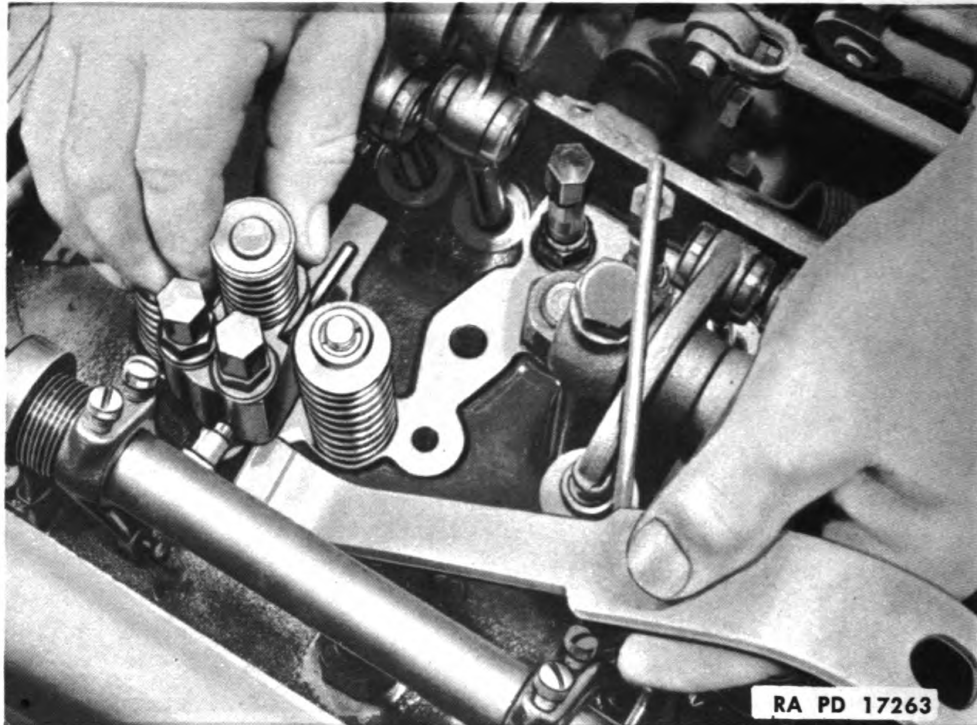


**Figure 23 – Removing Injector Clamp Nut**

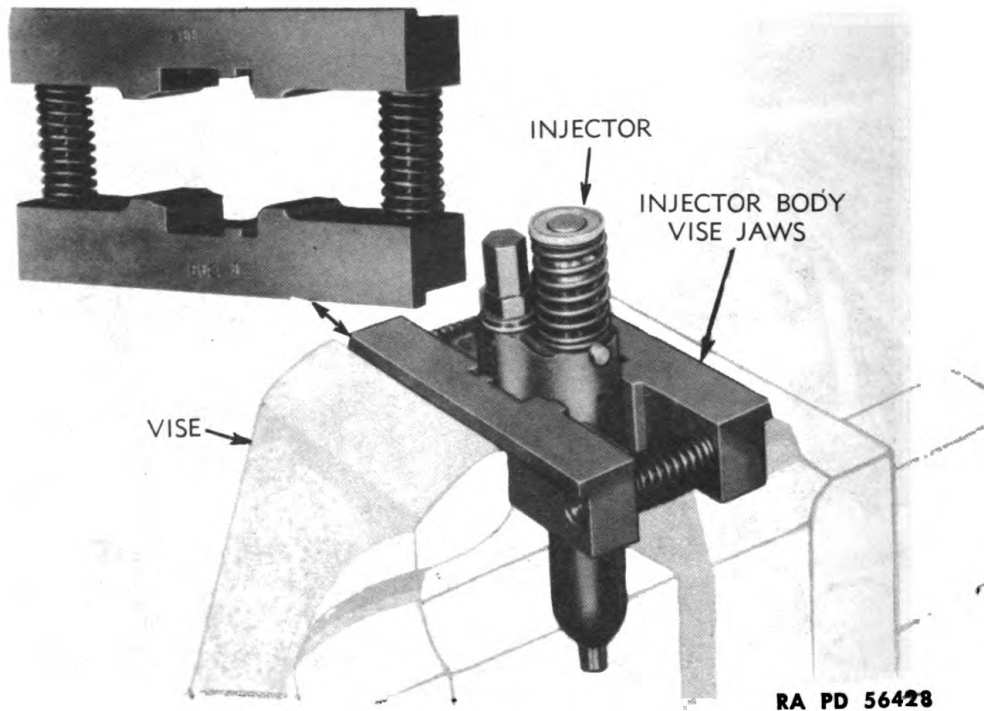


**Figure 24 – Lifting Out Injector Clamp**

**ORDNANCE MAINTENANCE—MEDIUM TRACTOR M1  
(ALLIS-CHALMERS HD-7W) ENGINE ACCESSORIES**



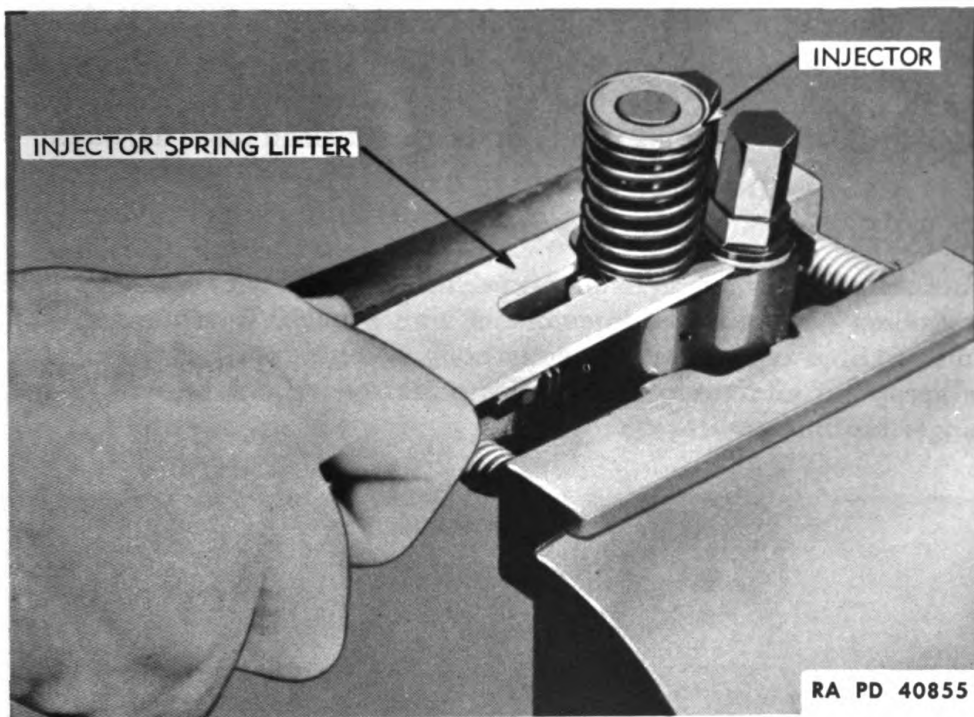
**Figure 25 – Removing Injector Assembly**



**Figure 26 – Injector Mounted in Vise Jaws**



## FUEL INJECTORS



**Figure 27 – Injector Spring Lifter Installed**

**b. Procedure.**

**NOTE:** Before starting to dismantle an injector, it is absolutely necessary to have an extremely clean work bench, in a clean room, on which to work. *Cleanliness* is emphasized because practically all injector service troubles are directly traceable to dirt, grit, or other foreign matter. Use clean paper on the bench and lay (not drop) the parts in a pan of clean Diesel fuel as they are removed. If more than one injector is to be disassembled, *keep the parts for each injector separate*. The plunger must *always* go with the same bushing. The spherical valve and seat are also individual sets.

**(1) CLAMP INJECTOR IN VISE.**

**JAWS**, injector body, vise

**WRENCH**, socket,  $\frac{9}{16}$ -in.

Support injector right side up in vise with the injector body vise jaws, and loosen (not remove) the two filter caps ( $\frac{9}{16}$ -in. wrench).

**(2) REMOVE FOLLOWER STOP.**

**LIFTER**, injector spring

Insert the lifter beneath the spring (fig. 27) and lift spring away from stop pin. Hold lifter up with fingers and press down on follower with palm of same hand. Remove stop pin with other hand. Let spring up slowly. Place stop pin in pan of Diesel fuel.

**ORDNANCE MAINTENANCE — MEDIUM TRACTOR M1  
(ALLIS-CHALMERS HD-7W) ENGINE ACCESSORIES**

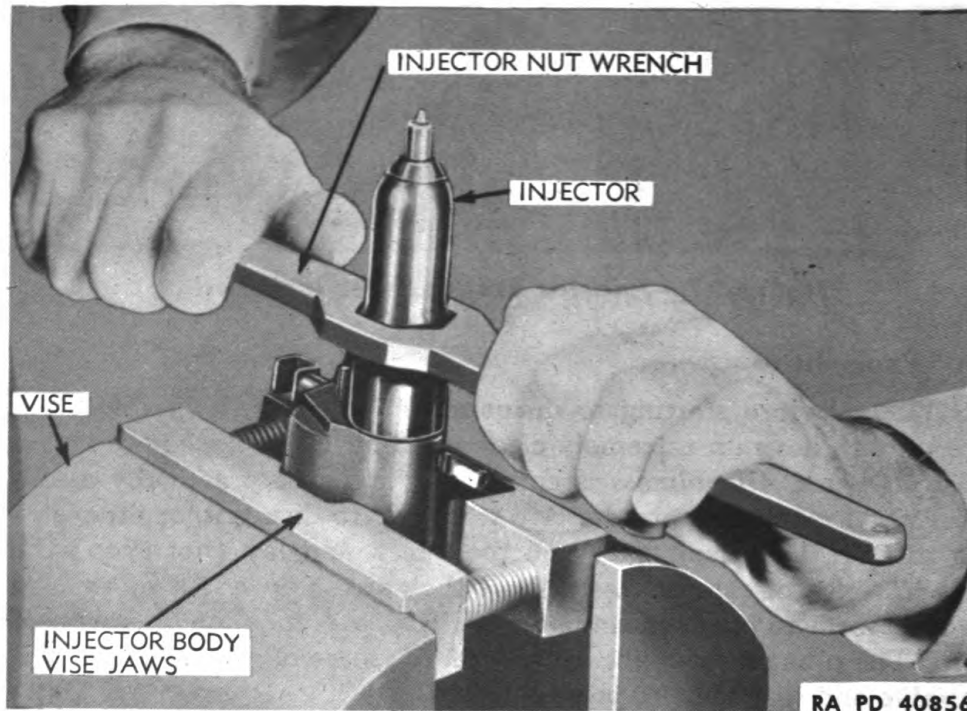
**(3) REMOVE PLUNGER, FOLLOWER GUIDE, AND PIN.**

The plunger, follower guide, follower, and follower pin, lift as a unit from the injector body. Remove follower pin and separate these parts, laying them (not dropping them) in the pan of clean fuel (fig. 35).

**(4) REMOVE INJECTOR NUT.**

**WRENCH**, injector nut

Loosen vise, remove injector, and reinstall in vise with spray tip end up. Loosen (not remove) injector nut with wrench. Remove nut with hand and lift away from the injector body, being careful not to dislodge the spray tip and the other smaller parts resting on the end of the plunger bushing.



RA PD 40856

**Figure 28 — Removing Injector Nut**

**(5) REMOVE SPRAY TIP AND VALVES.**

Carefully lift the spray tip, spherical check valve, check valve spring, check valve stop, flat check valve, flat check valve seat, and spherical check valve seat away from the plunger bushing (fig. 34).

**(6) REMOVE SPILL DEFLECTOR AND PLUNGER BUSHING.**

Jar the spill deflector from the nut, and also remove seal ring. In some cases these two parts may not come off with nut. Lift plunger bushing from injector body.



## FUEL INJECTORS

### (7) REMOVE GEAR, SPACER, AND CONTROL RACK.

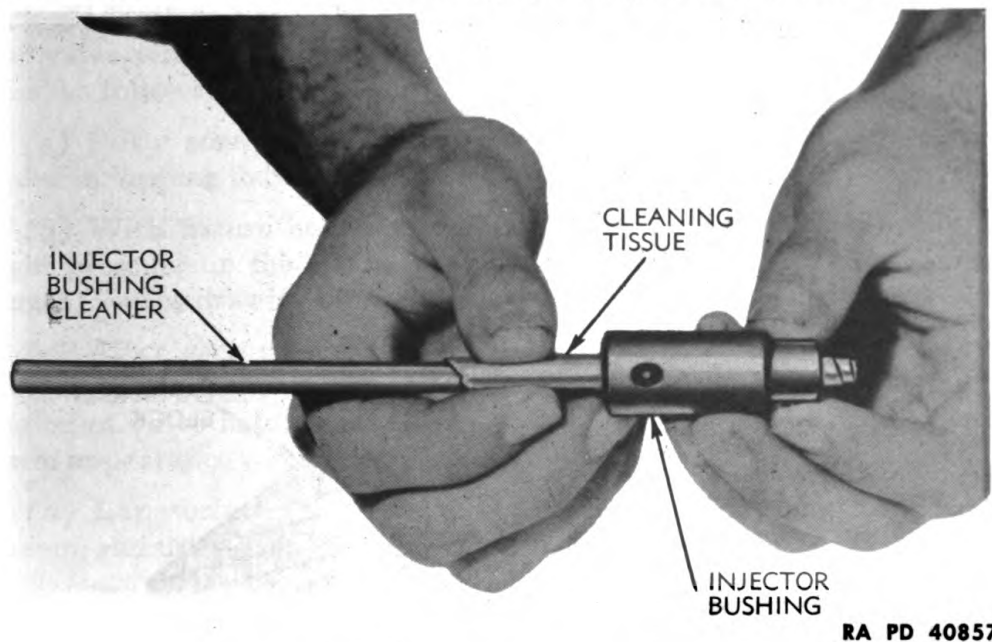
Remove injector body from injector body vise jaws. Turn out spacer and gear into pan of clean Diesel fuel by a slight shake. Pull control rack from injector body.

### (8) REMOVE FILTER CAPS AND FILTERS.

Remove the two filter caps, copper gaskets, filter springs, and filter assemblies from injector body. The filter assemblies should be replaced with new ones, but if this is not intended, a system which will not mar them must be devised, so that they may be returned to their original places. If the filter that was removed from the outlet side is placed on the inlet side, dirt lodged on the lower surface of the filter will be washed into the injector when it is again in operation.

## 24. INSPECTION AND REPAIR.

a. **Inspect Injector Parts.** Many of the close-fitting parts in the injector are carefully lapped, and if any of the internal working parts of the injector are scored or damaged, these parts are unfit for further



**Figure 29 – Cleaning Injector Bushing**

use and should be replaced. After the injector has been disassembled and all parts carefully cleaned in SOLVENT, dry-cleaning, or fuel oil, they should be protected from dirt by storing in Diesel fuel until replaced in the injector.

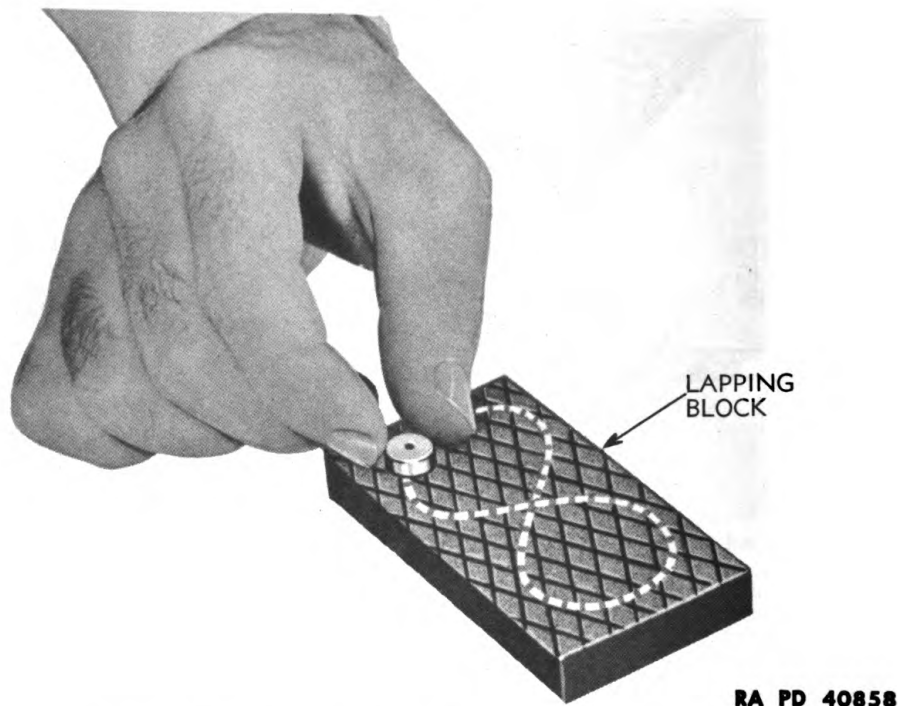
b. **Clean Injector Bushing.** First clean the injector plunger bushing with large brush from injector service kit, by immersing in a tank

**ORDNANCE MAINTENANCE — MEDIUM TRACTOR M1  
(ALLIS-CHALMERS HD-7W) ENGINE ACCESSORIES**

containing SOLVENT, dry-cleaning, or Diesel fuel, and working brush through bushing; then blow out with compressed air and again wash in clean Diesel fuel. For final cleaning, wrap cleaning tissue around injector bushing cleaner and rotate in and out through bushing (fig. 29).

**c. Recondition Valves and Seats.**

(1) Thoroughly wash and inspect the small flat check valve for flat smooth surfaces, the flat check valve seats for smoothness and chips, the spherical check valve seat (conical surface on lower side) for smoothness and chips, and the spherical check valve and check valve stop for smoothness. **CAUTION:** Do not attempt to reseat the check valves by grinding the seats or valves. If the valves or seats are damaged, replace the valve assembly. The seating surfaces of the flat check valve, and its seat, should be lapped if they show discoloration. This is accomplished by using a "figure eight" motion of the part on the lapping block (fig. 30). The block is prepared by using a small spot of carborundum II-40 medium lapping cream, or its equivalent.



**Figure 30 — Lapping Injector Valve Seat**

(2) Original injectors in engines having the number 3714929 and above, contain a spray tip assembly which is different from that described above. These injectors have a colored identification disk pressed into the injector body and contain a flat valve and seal assembly, shorter valve spring, and differently shaped valve stop. Also the

## FUEL INJECTORS

counterbore in the spray tip for the valve assembly is only half as deep. Individual parts for the second type valve and spray tip assembly are *not interchangeable* with parts in the first type. In the event, therefore, that parts for the first type (fig. 31), are not available, the entire spray tip assembly must be replaced with an assembly of the later type. Parts required for the new assembly are: flat valve and seat assembly, flat valve spring, flat valve stop, and spray tip. Relation of parts in assembling is the same for both types of spray tip assemblies.

(3) The new valve has a flat surface contact with the valve seat, whereas the first type valve was spherical and fitted in a spherical recess in the seat. The flat valve will allow lapping—using certain precautions—whereas the spherical valve, if defective, could not be serviced, only replaced. Because of its size, the flat valve requires extreme care in lapping to insure a perfectly flat surface which is necessary for proper operation. Either a cast-iron lapping block or a piece of first grade plate glass (4 in. long, minimum) may be used. **CAUTION:** Ordinary or double strength glass is not satisfactory—use first grade plate glass. Use the check valve lapping fixture for holding the valve when lapping to insure a flat surface on the valve and proceed as follows:

(a) Put a small spot of lapping cream on lapping block, and place valve in lapping fixture.

(b) With fixture held between thumb and middle finger, apply a light pressure on the sleeve of the fixture with the index finger (first finger), while drawing across the lapping block in a straight line.

(c) After each stroke, thoroughly clean the valve and inspect by holding to the light to observe differences of light reflection as an indication of valve flatness. If valve is perfectly flat, it will present a uniform appearance when held to the light and rotated.

(d) Lap surface of the valve seat, using same lapping block and cream, and using same care in lapping as for valve.

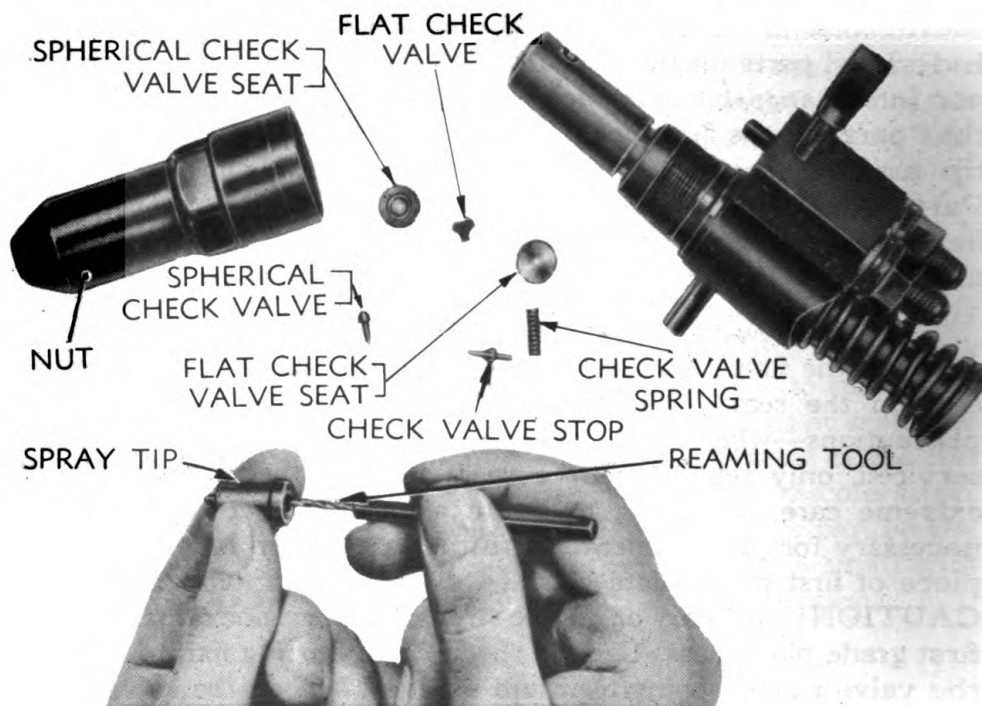
(e) The “chirping” sound heard when “popping” an injector (par. 26 c (2)) equipped with a spherical valve is not produced by an injector with the new flat valve.

### d. Recondition Spray Tip.

(1) Hold injector spray tip in the fingers (fig. 31). Ream tip with the small injector drill from injector service kit. While reaming, hold spray tip in fingers, insert drill down into tip, press lightly, and turn with fingers to remove any carbon or foreign matter. After thoroughly reaming, blow tip out with compressed air to remove any loose particles.

TM 9-1783B  
24-25

**ORDNANCE MAINTENANCE—MEDIUM TRACTOR M1  
(ALLIS-CHALMERS HD-7W) ENGINE ACCESSORIES**



**Figure 31 – Reaming Injector Spray Tip**

(2) Hold spray tip in fingers (fig. 32). Clean the six spray tip orifices with pin vise and the 0.006-inch probing wire. Before using the tool, the sharp burs should be removed from the wire on a honing stone furnished with the cleaning set. Blow out with compressed air and reream the tip. Again clean the holes. Then wash with SOLVENT, dry-cleaning, and again blow out with compressed air.

**25. ASSEMBLY.**

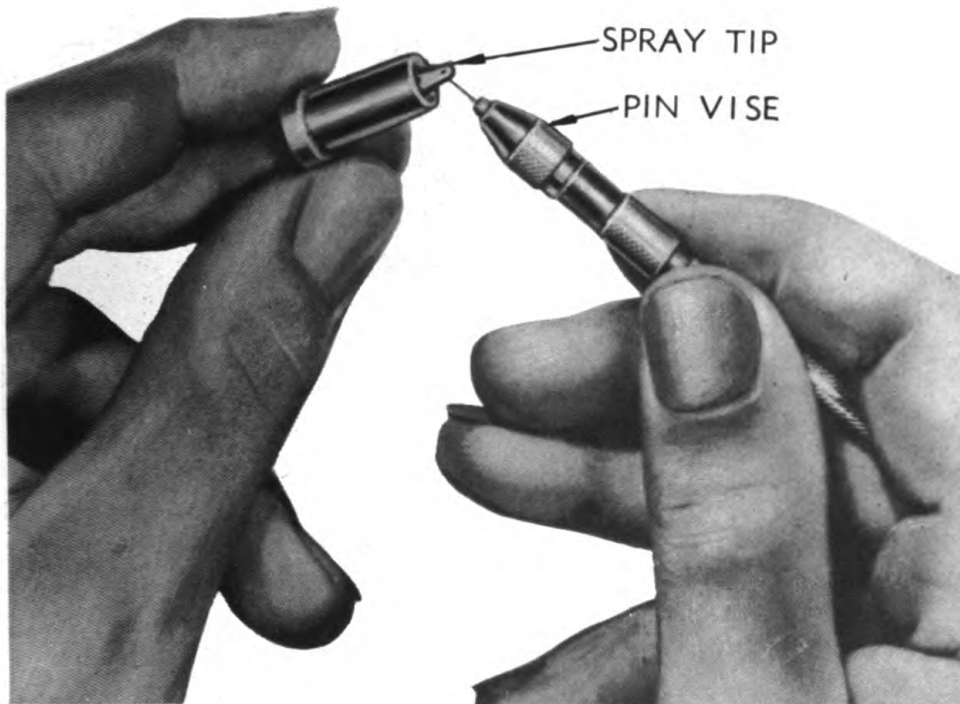
**a. Equipment.**

JAWS, injector body, vise  
LIFTER, injector spring  
TUBING, copper, 1/2- x 6-in.

WRENCH, injector nut  
WRENCH, socket, 9/16-in.

**b. Procedure.**

**NOTE:** When assembling an injector, the room in which the work is being done must be clean and free from flying dust. The mechanic's clothes and hands, the work bench and the tools used must all be clean. The cleaned injector parts should remain in a pan of clean Diesel fuel until reassembly is begun; then each part should be picked from the pan and assembled in the injector. Care must be taken when

**FUEL INJECTORS**

RA PD 306123

**Figure 32 – Cleaning Spray Tip Orifices**

assembling to place the various parts in their proper relative positions. The various figures accompanying the build-up of the injector, therefore, should be thoroughly studied before attempting the assembly.

**(1) INSTALL FILTER ASSEMBLIES.**

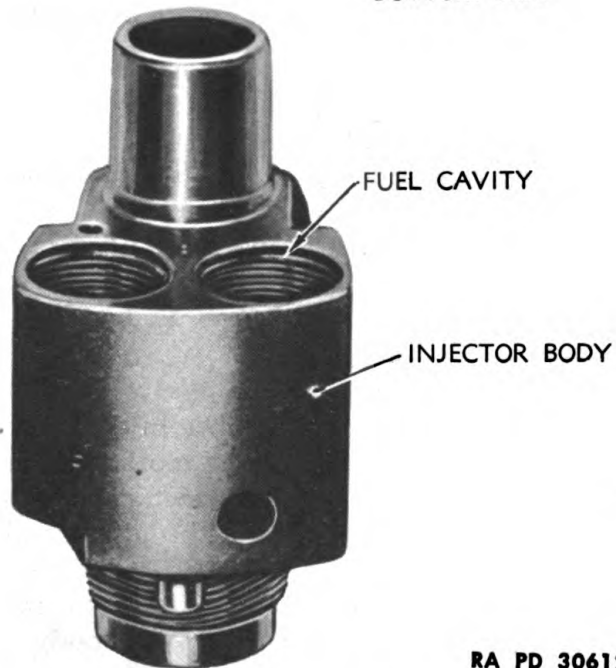
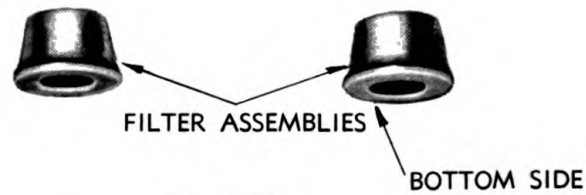
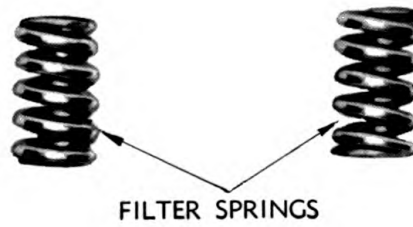
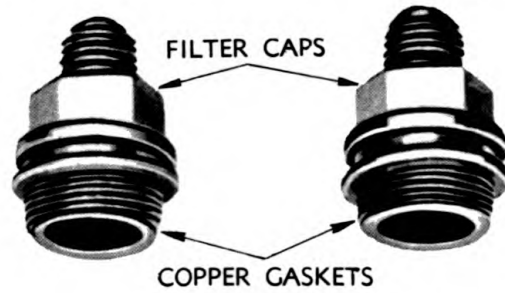
**WRENCH**, socket,  $\frac{1}{16}$ -in.

Hold the body right side up and place a filter (washer end down) in each fuel cavity. **NOTE:** Always use new filters if possible (par. 23 b (8)). Place a spring above each filter and a new copper gasket up against the shoulder of each filter cap (fig. 33). Lubricate the threads and screw the caps into the body. Tighten firmly.

**(2) INSTALL RACK AND GEAR.**

**NOTE:** Two adjacent teeth on the injector rack are drill marked on the end, so that a similarly marked tooth on the mating gear may be located between them. This relationship must be maintained for proper timing of the injector, since the plunger also bears a definite relationship to the gear. Hold the body bottom end up, and slide the rack into its hole at the filter end so the two marked teeth can be seen through opening in bottom of injector body. Now hold the rack in position so the teeth marks show and slide the gear into the proper engagement with the rack. This is done by trial.

**ORDNANCE MAINTENANCE—MEDIUM TRACTOR M1  
(ALLIS-CHALMERS HD-7W) ENGINE ACCESSORIES**

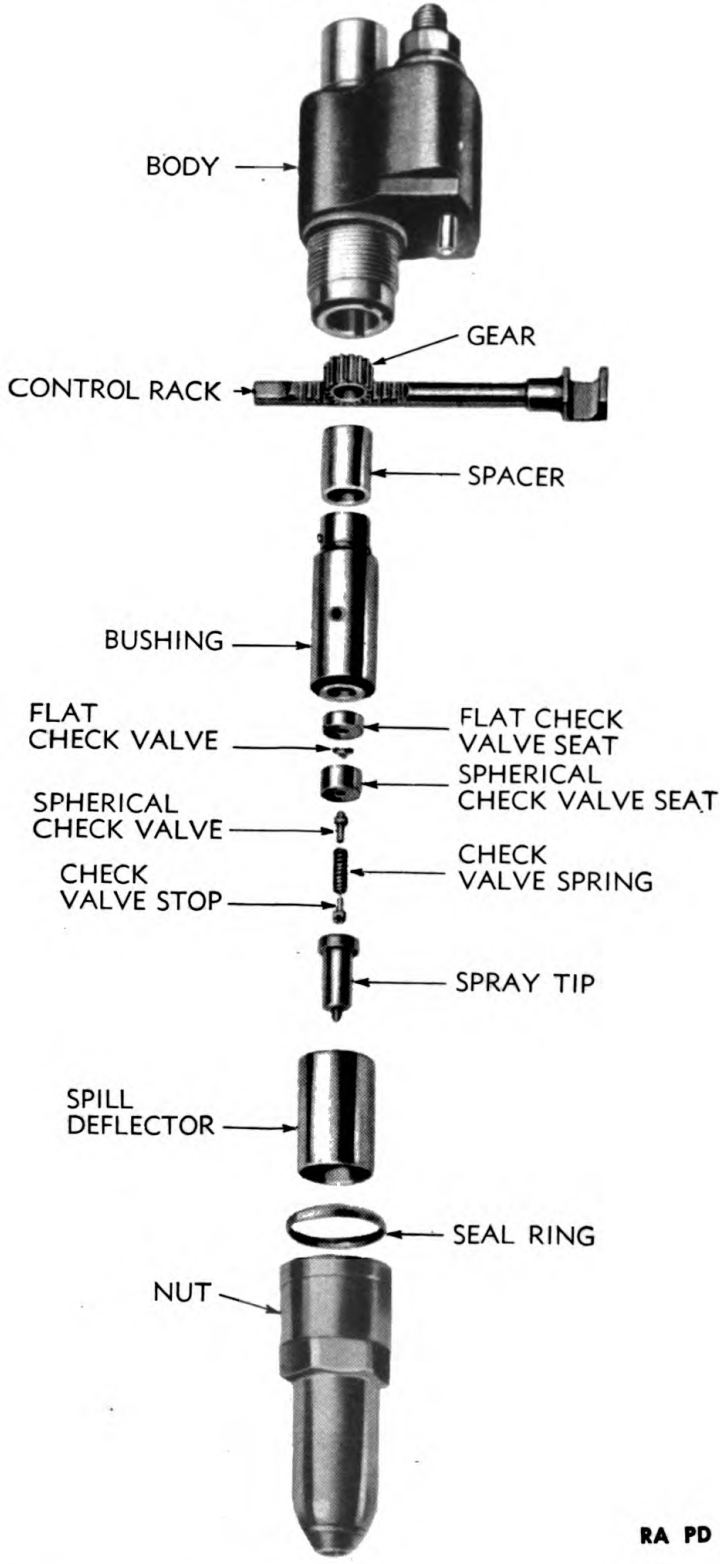


RA PD 306124

**Figure 33 — Injector Filters, Springs and Nuts**



FUEL INJECTORS



RA PD 40862

**Figure 34 – View Showing Relative Location of Parts in Lower Part of Injector**

Generated on 2014-12-09 13:31 GMT / http://hdl.handle.net/2027/uc1.b3243978  
Public Domain, Google-digitized / http://www.hathitrust.org/access\_use#pd-google



**ORDNANCE MAINTENANCE—MEDIUM TRACTOR M1  
(ALLIS-CHALMERS HD-7W) ENGINE ACCESSORIES**

**(3) INSTALL SPACER AND PLUNGER BUSHING.**

Slide spacer down on top of gear. Insert bushing down onto spacer with locating pin in bushing guided into slot in body.

**(4) INSTALL SPILL DEFLECTOR AND SEAL RING.**

**JAWS**, injector body, vise

Place injector in vise jaws in vise with bottom end up. Clamp vise jaws, taking care not to bind or bend rack in injector body. Drop spill deflector on over bushing. Slip *new* rubber seal ring over bushing and threads against shoulder of injector body.

**(5) ASSEMBLE SPRAY TIP ASSEMBLY.**

Place spherical check valve seat, cup side up, on a clean piece of paper. Put flat check valve in cup, seating surface up. Cover these parts with the flat check valve seat, seating surface down. Now hold the spray tip, point down, and drop in the check valve stop, large end down. Drop check valve spring over end of stop, and drop spherical check valve into spring, spherical end up. Take the valve assembly from the paper as it is and place it on the upper end of the spray tip with the spherical valve seating. Turn assembly upside down and place on bushing.

**(6) INSTALL INJECTOR NUT.**

**TUBING**, copper, 1/4- x 6-in.      **WRENCH**, injector nut

Lubricate threads in injector nut. Insert copper tubing through nut. Hold nut and copper tubing in one hand; hold valves and tip assembly with other hand. Place end of tube over point of spray tip to hold these parts in place while nut is lowered over them. Retaining hold on top of copper tube with one hand, screw nut down into position with other. Move spray tip slightly to help guide valve seats up into recess in nut. Screw nut down by hand until tip seats tightly. The nut should now be within  $\frac{1}{16}$  inch of touching shoulder. *Do not force nut* even by hand while screwing it down. It can be turned down with thumb and finger if valves are in line. If shoulders inside nut strike edges of valves and the nut does not screw down easily as outlined, it will have to be removed and valves again centrally located on end of bushing. Tighten nut firmly (injector nut wrench).

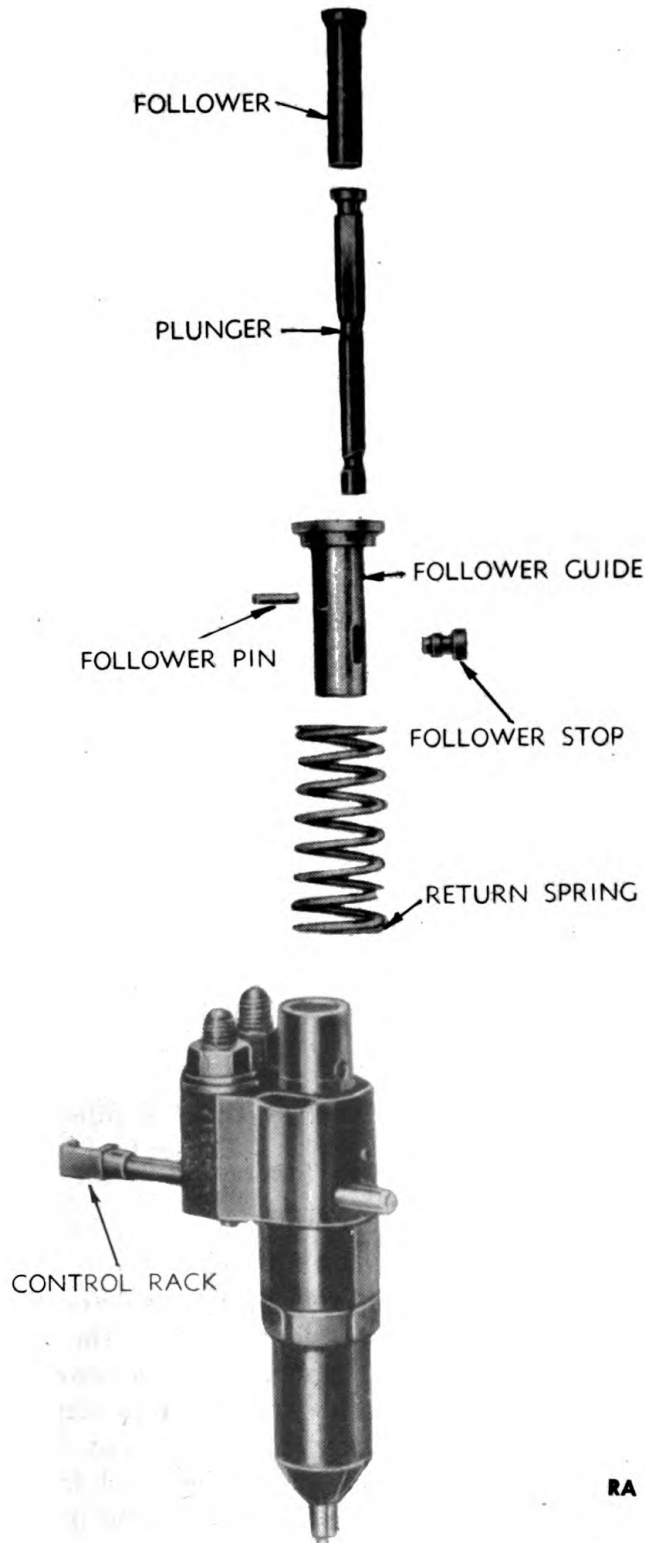
**(7) INVERT INJECTOR IN VISE.**

Turn injector in vise and clamp again with spray tip end down. Push control rack all the way IN.

**(8) ASSEMBLE PLUNGER AND FOLLOWER ASSEMBLY.**

Insert plunger with large end up into follower guide. Install follower—large end up—into top of follower guide. Line up holes through follower and guide and insert lock pin.

### FUEL INJECTORS



RA PD 306125

**Figure 35 – View Showing Relative Location of Parts in Plunger and Follower Assembly**

**ORDNANCE MAINTENANCE — MEDIUM TRACTOR M1  
(ALLIS-CHALMERS HD-7W) ENGINE ACCESSORIES**

**(9) INSTALL SPRING ON FOLLOWER ASSEMBLY.**

Drop follower assembly into spring, plunger end first. Head of follower must seat into counterbored head of follower guide.

**(10) INSTALL FOLLOWER ASSEMBLY AND SPRING.**

Lower follower assembly and spring into top of injector. Plunger must pass through gear and into bushing. **NOTE:** Flat side of plunger must register with flat side of bore of gear in order for plunger to enter gear (fig. 35).

**(11) INSTALL FOLLOWER STOP PIN.**

**LIFTER**, injector spring

Aline holes in the follower guide and injector body for the stop pin. Then insert spring lifter tool beneath the lower end of spring, push down on top of follower, raise spring at same time with one hand, and insert stop pin with the other hand. The stop pin will slip into place as soon as holes in follower guide and injector body come in alinement. When lifter is removed, pin will be locked in place by spring.

**(12) TEST FOR BINDING.**

Remove injector from vise. Hold injector flat and turn from one side to the other. Control rack should fall back and forth by its own weight if injector has been properly assembled.

**26. TEST FOR OPERATION.**

a. After an injector has been rebuilt, it should be tested before it is installed in the engine. This test is known as "popping" the injector, and is accomplished with popping tool (fig. 36).

**b. Equipment.**

**BEAKER**, glass

**JAWS**, injector body with  
popping tool vise

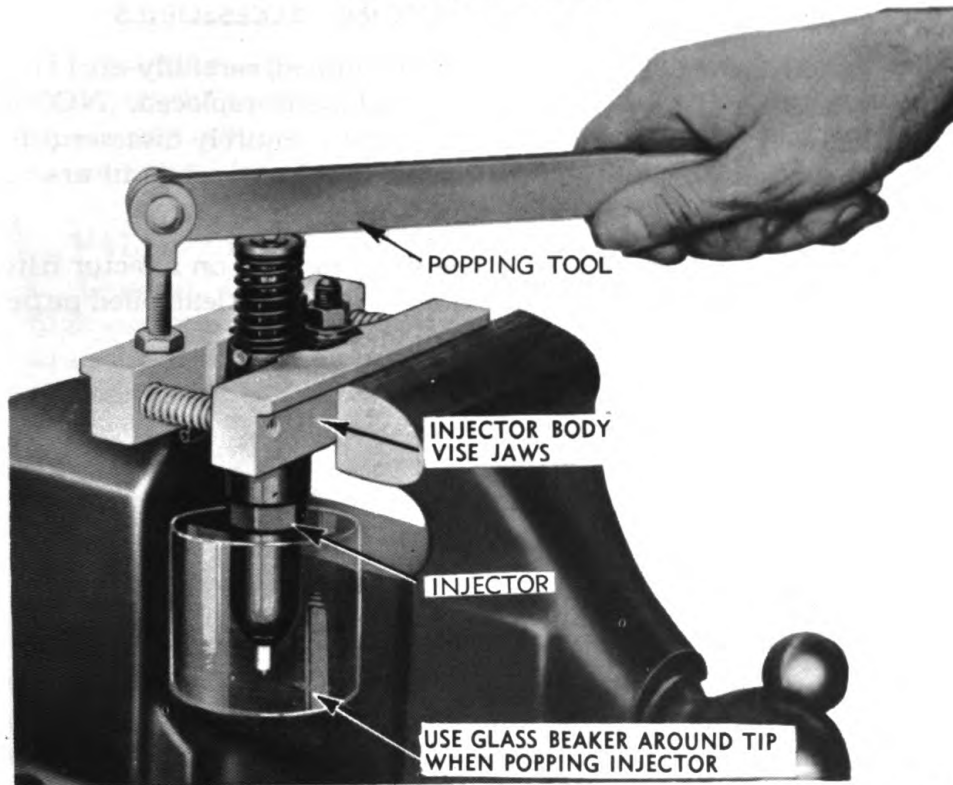
**OILCAN**, filled with clean  
Diesel fuel

**c. Procedure.**

(1) Place the injector in the injector body vise, and by means of a clean oilcan introduce *clean* Diesel fuel into one of the injector openings until fuel flows from the other opening. Set a beaker under and surrounding spray tip so fuel ejected from tip hits inside of beaker. **CAUTION:** Always use beaker and keep hands away from spray tip when "popping" injector. The finely atomized fuel from spray tip travels with such force it may penetrate the skin and blood poisoning may result.

(2) To determine if all six holes in spray tip are open, push injector rack into full fuel position and press test handle down on plunger

## FUEL INJECTORS



RA PD 56429

**Figure 36 – Testing Injector**

follower with a quick motion, repeating several times, adding more fuel from can to keep injector filled. Fuel should be discharged from all six holes in spray tip. A “chirping” sound should be heard while operating injector in this manner. Do not install injector if this sound is not present. It may require a few minutes of operation before injector will “come in” and “chirp” will be heard. **NOTE:** If injector is of the new type, “chirping” sound will not be heard. See paragraph 24 c (2), which tells how to identify new type.

(3) If the check valve opening pressure is satisfactory, considerable downward pressure will be required on the popping tool handle to open check valve and discharge the fuel through the six holes. If considerable pressure is not required on the popping tool handle to open the check valve, so the fuel is discharged in a “fog” from the spray tip, the valve opening pressure is too low.

(4) To test for a check valve leak or dribble, wipe or blow all fuel from spray tip and press down firmly on popping tool handle to the point where check valve is about to open. (Do not force valve open.) Continue to hold handle down against check valve pressure. No “dribble” should take place at spray tip. If “dribble” occurs, check valve is not seating properly. If the injector does not pass the above

**TM 9-1783B**  
**26-27**

**ORDNANCE MAINTENANCE — MEDIUM TRACTOR M1**  
**(ALLIS-CHALMERS HD-7W) ENGINE ACCESSORIES**

three tests satisfactorily, it should be disassembled, carefully and thoroughly cleaned, and any worn or corroded parts replaced. **NOTE:** Never remove filters from injector unless unit is entirely disassembled because there is a possibility of dirt entering injector when filters are removed.

(5) After tests are completed, place shipping caps on injector filter cap fittings, place injector in box provided or wrap in clean oiled paper, and seal against dirt until ready to install in engine.

**27. INSTALLATION.**

**a. Equipment.**

**WRENCH**, open-end, 1/2-in.

**WRENCH**, socket, 3/4-in.

**WRENCH**, socket, 9/16-in.

**b. Procedure (par. 6 a).**

**(1) PLACE THE INJECTOR IN THE COPPER TUBE.**

A dowel on the injector body registers with a hole in the cylinder head so that the injector can be located in only one position in the head. As injector is slipped in place, engage the control rack with the control lever.

**(2) INSTALL THE INJECTOR CLAMP.**

**WRENCH**, socket, 9/16-in.

Place clamp on the injector body, centering the side arms of the clamp as well as possible in the machined recesses in the injector body. Drop the special washer over the stud with rounded side down. Put nut on stud and draw clamp down firmly, using wrench with 8-inch handle (fig. 23).

**(3) INSTALL ROCKER ARM SHAFT AND BRACKETS.**

**WRENCH**, 3/4-in.

Screw rocker arms to their push rods and fold to approximate positions.

Slide shaft through rocker arms and place a bracket on each end, with the smooth side of brackets toward rocker arms. Draw brackets down firmly, at the same time holding rocker arm brackets loosely against rocker arms, allowing about 0.006-inch clearance.

**(4) CONNECT FUEL LINES.**

**WRENCH**, open-end, 1/2-in.

Remove the shipping caps from fuel fittings in head and on injectors and connect fuel lines. Open the fuel shut-off valve at the tank. After engine has been started, check for leaks before installing rocker arm cover. **NOTE:** The injector must be timed and equalized and the

## FUEL INJECTORS

valve clearance adjusted for 0.010-inch clearance before engine is started and the rocker arm cover; hood, and precleaner are installed. See paragraphs 29 and 30 for injector timing and equalizing, and refer to paragraph 28 for adjustment of valve clearance.

### 28. VALVE CLEARANCE ADJUSTMENT.

**a. General.** Correct exhaust valve clearance is important because of high compression pressure developed in a Diesel engine. Too little clearance causes a loss of compression, "missing," and eventual burning of the valves and valve seats. Too much clearance results in noisy engine operation. The correct valve clearance is 0.010-inch at operating temperature. The valve clearance is adjusted by turning the push rod in the rocker arm clevis, which changes relative to the length of the rod and clevis. Turn the push rod to the left to decrease valve clearance (lengthen rod), and to the right to increase clearance (shorten rod).

#### **b. Equipment.**

GAGE, feeler

WRENCH, open-end, 1/2-in.

WRENCH, open-end,  
5/16-in.

#### **c. Procedure.**

(1) ROTATE ENGINE UNTIL INJECTOR IS AT BOTTOM OF STROKE.

Rotate the engine with the starting motor until the injector plunger is fully depressed (injector rocker arm down).

(2) ADJUST CLEARANCE BETWEEN ROCKER ARM AND VALVE STEM.

GAGE, feeler

WRENCH, open-end, 1/2-in.

WRENCH, open-end,  
5/16-in.

Use the 0.010-inch feeler gage and adjust each push rod until the gage will just pass between the valve stem and the rocker arm.

(3) TIGHTEN LOCK NUT.

WRENCH, open-end,  
5/16-in.

WRENCH, open-end, 1/2-in.

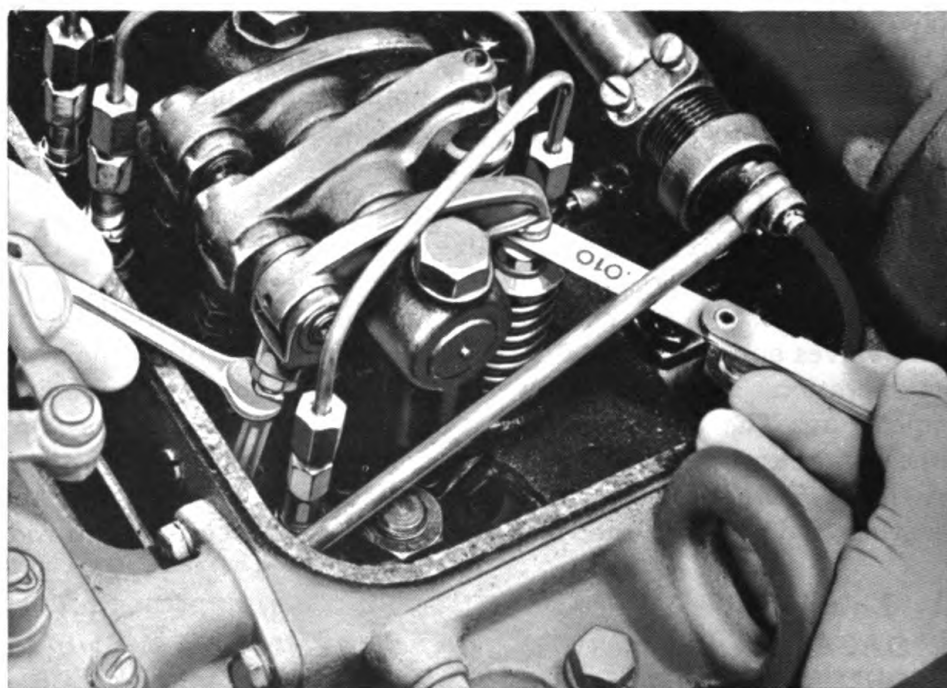
Hold push rod and tighten lock nut. Check again to see if 0.010-inch feeler gage can be inserted between the valve stem and rocker arm. A slight drag should be felt on feeler gage.

(4) Repeat above steps for each cylinder.

### 29. INJECTOR TIMING (fig. 39).

**a.** The timing of an injector consists of properly locating the top of the follower guide in relation to the body, when it is at the top of its stroke. This distance is 1.484 inch, and a special tool called a timing

**ORDNANCE MAINTENANCE—MEDIUM TRACTOR M1  
(ALLIS-CHALMERS HD-7W) ENGINE ACCESSORIES**



RA PD 17491

**Figure 37 – Valve Clearance Adjustment**

gauge (in the injector service kit) is used to make the proper adjustment (fig. 38).

**b. Equipment.**

GAGE, injector timing  
SCREWDRIVER, 1/8-in.

WRENCH, open-end,  
5/16-in.  
WRENCH, open-end, 1/2-in.

**c. Procedure.**

**(1) PULL FUEL SHUT-OFF TO "OFF" POSITION.**

Do not allow the engine to start. Crank engine with the starting motor until the exhaust valves of the cylinder on which the injector is to be timed are fully opened. At this point the rocker arms have fully depressed the exhaust valves.

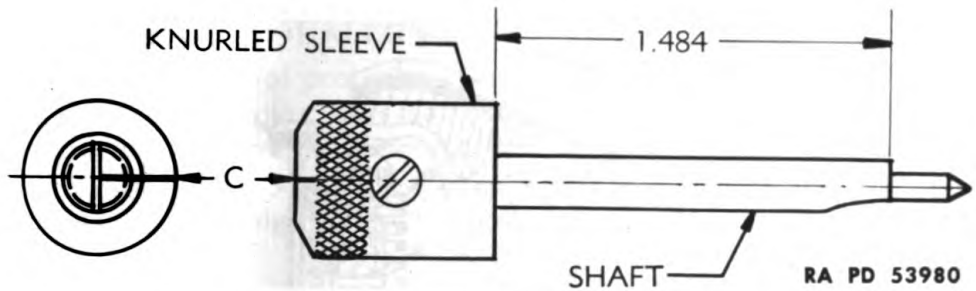
**(2) SET TIMING GAGE IN POSITION.**

GAGE, injector timing  
SCREWDRIVER, 1/8-in.

Place the timing gage in the timing hole in the injector body. The knurled head or sleeve should be turned to the left as far as possible. Hold the gage vertical with a firm downward pressure on a small screwdriver engaged in the slot in the top of the timing gage shaft. Make certain that the shoulder at the lower end of the timing gage shaft rests squarely on the injector body and is not resting on the copper gasket under the filter cap.



**FUEL INJECTORS**



**Figure 38 – Injector Timing Gage**

**(3) CHECK PRESENT SETTING.**

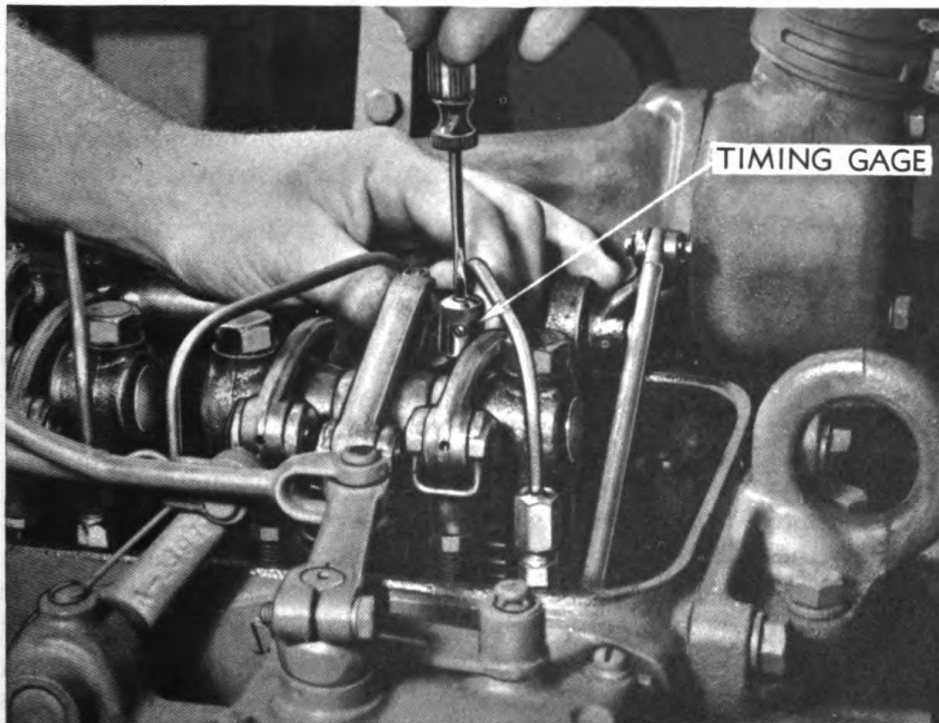
**GAGE**, injector timing

Rotate the knurled sleeve of the timing gage to the right until the lower shoulder of the sleeve rests squarely on the upper edge of the follower guide. On the gage, when the top of the shaft and the top of the sleeve are *flush*, and the “C” marks are in line, the correct measurement 1.484 is indicated. A lack of “flushness” indicates the direction of injector push rod adjustment (fig. 38).

**(4) ADJUST PUSH ROD.**

**WRENCH**, open-end,  
5/16-in.

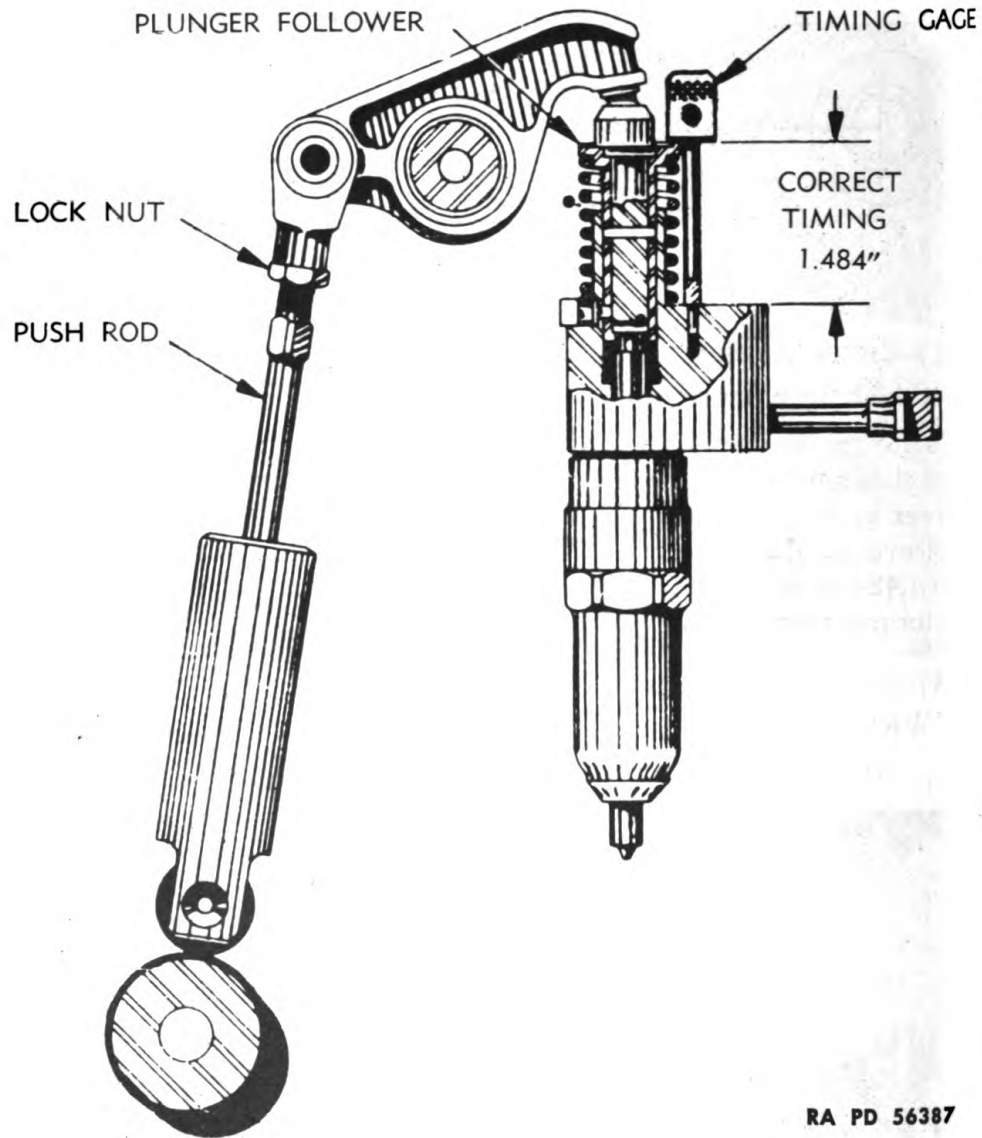
**WRENCH**, open-end, 1/2-in.



RA PD 56386

**Figure 39 – Injector Timing**

**ORDNANCE MAINTENANCE—MEDIUM TRACTOR M1  
(ALLIS-CHALMERS HD-7W) ENGINE ACCESSORIES**



RA PD 56387

**Figure 40 – Correct Timing of Injector**

Loosen the lock nut on the push rod ( $\frac{1}{2}$ -in. wrench). Adjust the rocker arm by turning the push rod to the right to shorten it, which will allow the injector follower assembly to come up ( $\frac{5}{16}$ -in. wrench). Turning the push rod to the left will lengthen the push rod and will push the plunger follower guide down. A small allowance must be made for the slight change which occurs when the lock nut is tightened. Tighten the lock nut on the push rod ( $\frac{1}{2}$ -in. wrench). The timing marks should now be exactly in line. If they are not in line, change the adjustment slightly until the marks line up when the lock nut is tight.

**FUEL INJECTORS****30. INJECTOR EQUALIZING.**

a. This consists of properly adjusting the control racks of all injectors, so that each may have equal fuel injection. Accurate timing of the injectors is essential before they can be equalized. The injector must be timed and equalized every time any part of the engine is worked on which might affect the position of the injector or rocker arm assembly.

**b. Equipment.****PLIERS****SCREWDRIVER, 6-in.****c. Procedure.****(1) PUSH FUEL SHUT-OFF FORWARD (OPEN).**

Push fuel shut-off all the way forward and pull throttle back (open) as far as possible.

**(2) LOOSEN ADJUSTING SCREWS.****SCREWDRIVER, 6-in.**

Loosen all adjusting screws on the rack control levers and be sure the levers are free on the control tube and that the control tube rotates freely in the bearings.

**(3) DISCONNECT GOVERNOR CONTROL LINK.****PLIERS**

Remove link pin from governor control link and control tube lever. All injector control racks should move freely and the injector control tube assembly should return to the "NO INJECTION" position when the governor control link is disconnected.

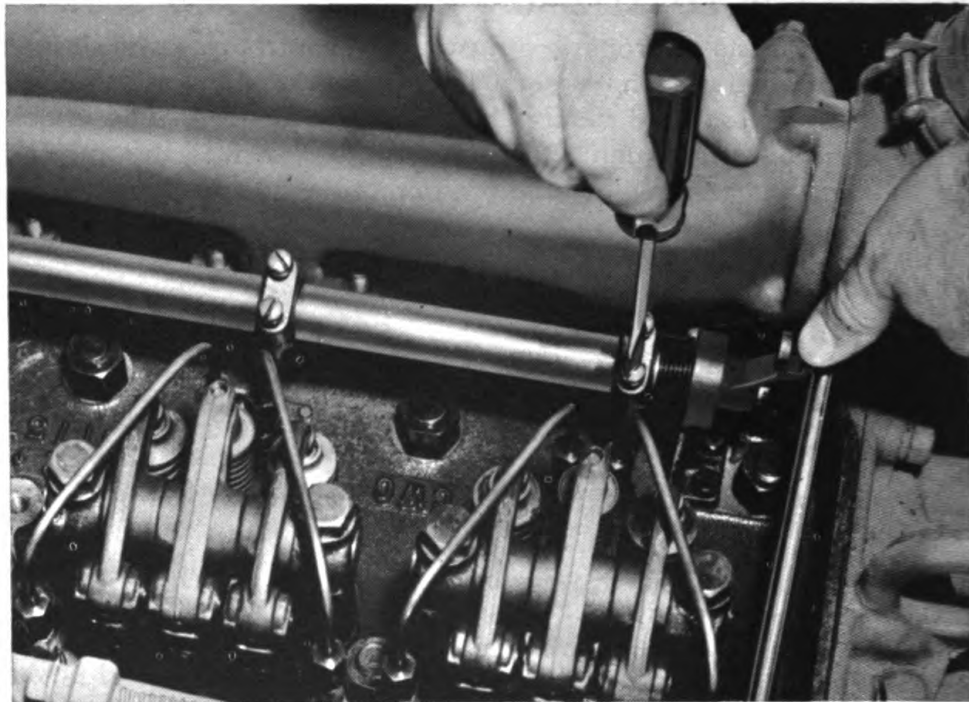
**(4) ADJUST FOR CONTROL RACK AND GEAR CLEARANCE.****SCREWDRIVER, 6-in.**

Hold the shut-off lever on the top of the governor in full load position and turn the lower adjusting screw for No. 1 injector in until the hole for the pin in the control tube lever is  $\frac{1}{64}$  inch out of line with the hole in the governor control link (fig. 41). Turn the upper adjusting screw down and tighten both screws lightly so the  $\frac{1}{64}$ -inch spacing is maintained.

**(5) ADJUST REMAINING RACK CONTROL LEVERS.**

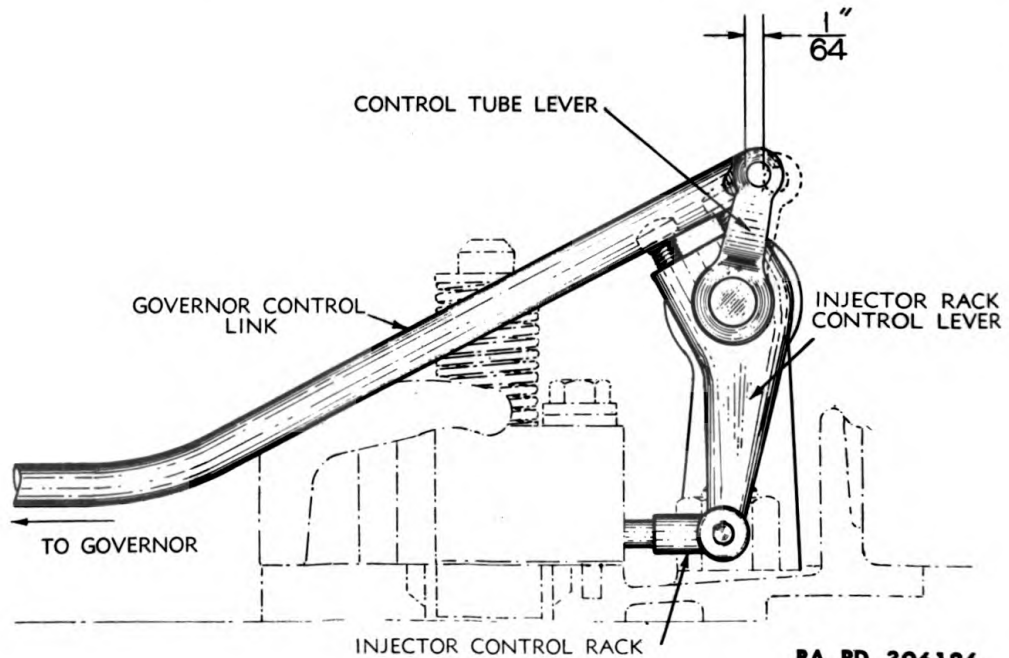
Hold No. 1 rack control lever against No. 1 injector control rack in its "IN" position and adjust the remaining rack control levers until the lugs on all rack control levers just contact the inner faces of the slots in the injector control racks. **CAUTION:** The adjusting screws will be damaged if drawn too tightly. If they are just screwed down firmly, they will not loosen.

**ORDNANCE MAINTENANCE — MEDIUM TRACTOR M1  
(ALLIS-CHALMERS HD-7W) ENGINE ACCESSORIES**



RA PD 17664

**Figure 41 — No. 1 Control Rack Adjustment**



RA PD 306126

**Figure 42 — Clearance for Control Rack and Gear**

## FUEL INJECTORS

### (6) CONNECT GOVERNOR CONTROL LINK.

#### PLIERS

Install link pin in governor control link and control tube lever and secure with cotter pin. Install rocker arm cover, start engine, and test for proper operation.

### (7) TEST FOR PROPER OPERATION.

Engine should run smoothly at both idling and full speed. If one injector is adjusted too rich, a "knock" will be heard. In this case repeat equalizing procedure. If engine still knocks after equalizing has been checked, one of the injectors is not operating properly and should be replaced.

## 31. SPECIAL TOOLS.

### a. Special tools required for working on injectors are as follows:

**BEAKER**, glass

**BLOCK**, lapping, injector valve

**CLEANER**, injector bushing

**FIXTURE**, check valve lapping

**JAWS**, injector body, vise, with popping tool

**KIT**, injector service, including:

**BRUSH**, large

**BRUSH**, small

**GAGE**, injector timing

**PIN**, vise, with 0.006-in. probing wire

**REAMER**, spray tip

**STONE**, emery

**LIFTER**, injector spring

**TISSUE**, cleaning

**TOOL**, injector remover

**WRENCH**, injector nut

**ORDNANCE MAINTENANCE—MEDIUM TRACTOR M1  
(ALLIS-CHALMERS HD-7W) ENGINE ACCESSORIES**

**CHAPTER 4  
FUEL AND AIR SYSTEM**

**Section V**

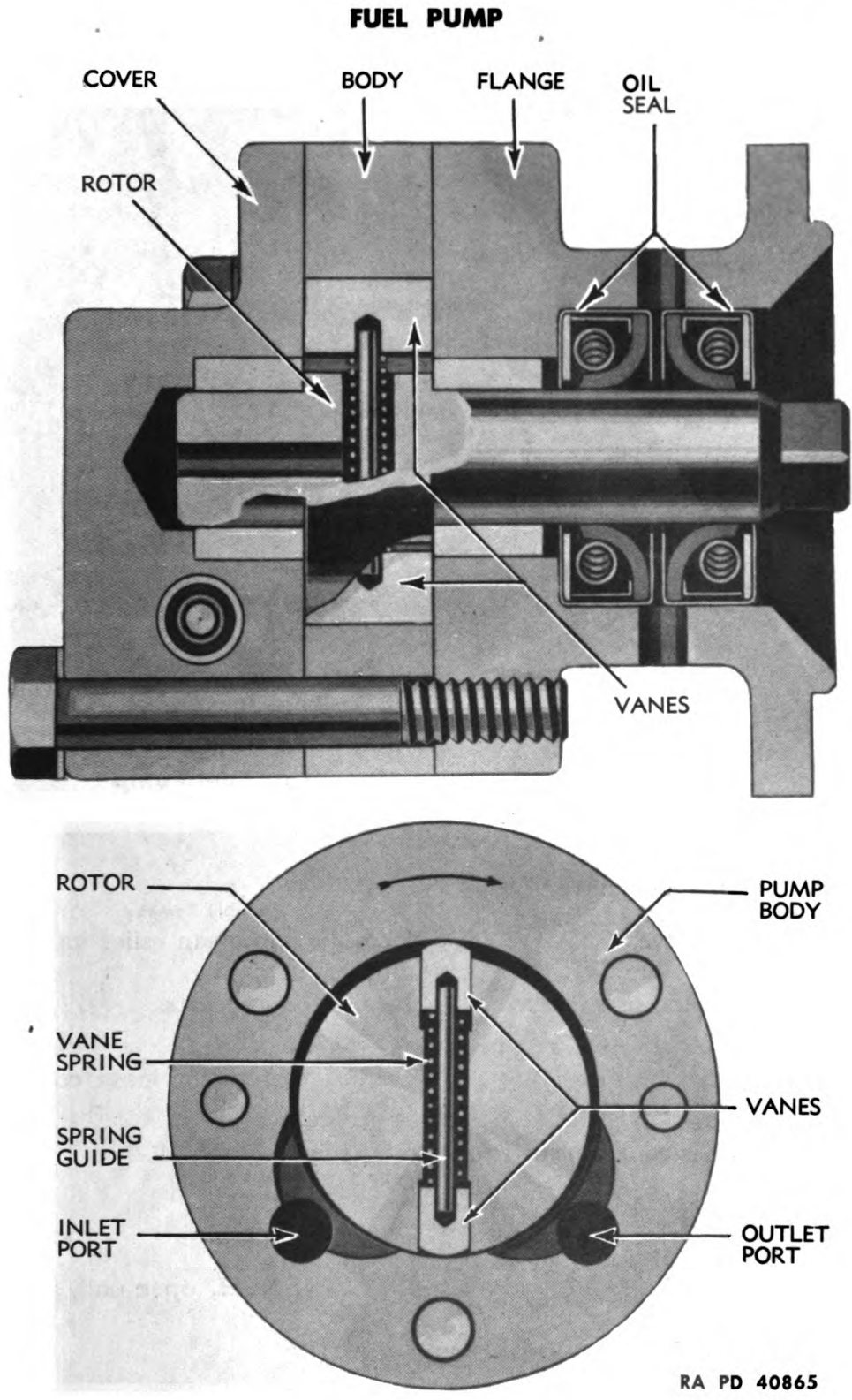
**FUEL PUMP**

	Paragraph
Description .....	32
Trouble shooting .....	33
Removal of pump.....	34
Disassembly .....	35
Inspection and repair.....	36
Assembly .....	37
Installation .....	38
Special tools .....	39

**32. DESCRIPTION.**

a. The fuel pump is of the positive displacement vane type. It is bolted to the rear end of the blower housing and driven from the lower blower rotor shaft through a U-shaped steel stamping which acts as a universal joint. The steel rotor is formed as part of the shaft and is supported at each end by the pump. This rotor revolves in a housing, the bore of which is eccentric to the shaft. Two spring-loaded vanes, carried in the rotor, revolve inside the eccentric housing, thus displacing the Diesel fuel from the inlet to the outlet port. Two oil seals are used inside the flange at the inner end of the rotor shaft. One seal retains the Diesel fuel, under pressure; the other prevents the lubricating oil in the blower timing gear compartment from creeping along the pump shaft. The seals are located approximately  $\frac{1}{16}$  inch apart. The feather edge of the leather on the inner seal faces the blower and that on the outer seal faces the pump body. A drain hole located between the two seals vents to the outside.

b. A spring-loaded, horizontal relief valve is provided in the cover of the pump, connecting the inlet and outlet ports. This valve opens at a pressure of approximately 60 pounds per square inch, and therefore does not open under ordinary conditions, but serves to relieve excessive pump pressure in case any of the fuel lines or filters become plugged. The relief valve and its seat always face the outlet port in the pump cover so that when the valve opens, the fuel flow will be back to the suction side of the pump.

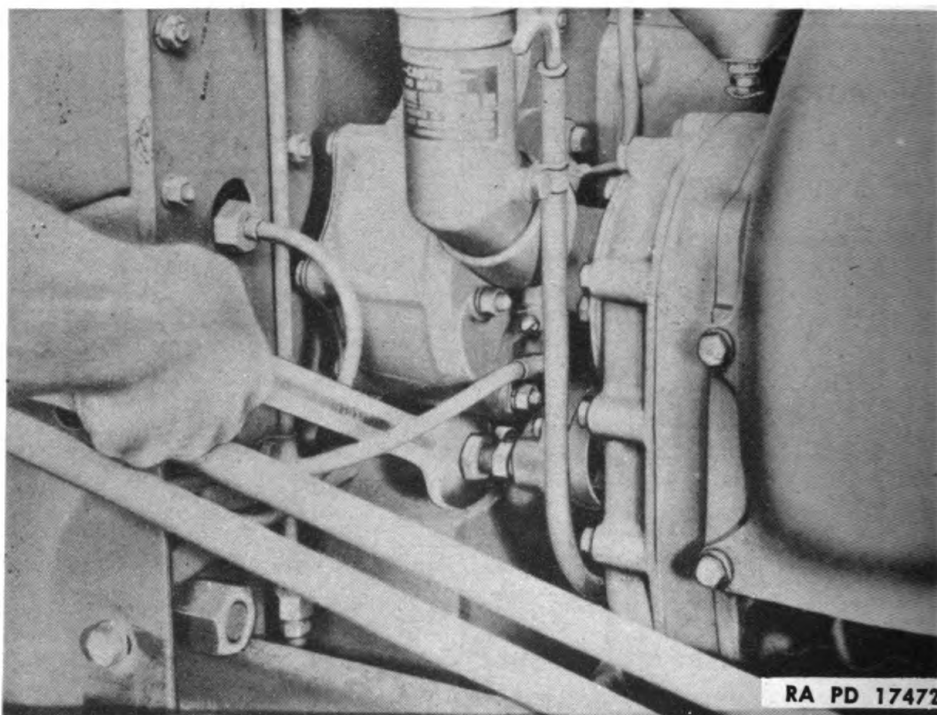


RA PD 40865

**Figure 43 – Fuel Pump Assembly Showing Position of Rotor Vanes and Oil Seals**



**ORDNANCE MAINTENANCE—MEDIUM TRACTOR M1  
(ALLIS-CHALMERS HD-7W) ENGINE ACCESSORIES**



**Figure 44 – Disconnecting Lines from Fuel Pump**

**33. TROUBLE SHOOTING.**

**a. Fluctuating Fuel Pressure.**

Possible Cause	Possible Remedy
Dirt in relief valve.	Remove and clean relief valve.
Insufficient fuel supply.	Obtain fuel.
Worn body, rotor, or vanes.	Replace worn parts.

**b. Low or No Fuel Pressure.**

Air leaks in system.	Inspect system for loose connections.
----------------------	---------------------------------------

**c.** For other contributing causes, refer to paragraph 19.

**34. REMOVAL OF PUMP.**

**a. Equipment.**

WRENCH, fuel and water pump      WRENCH, open-end,  $\frac{7}{8}$ -in.

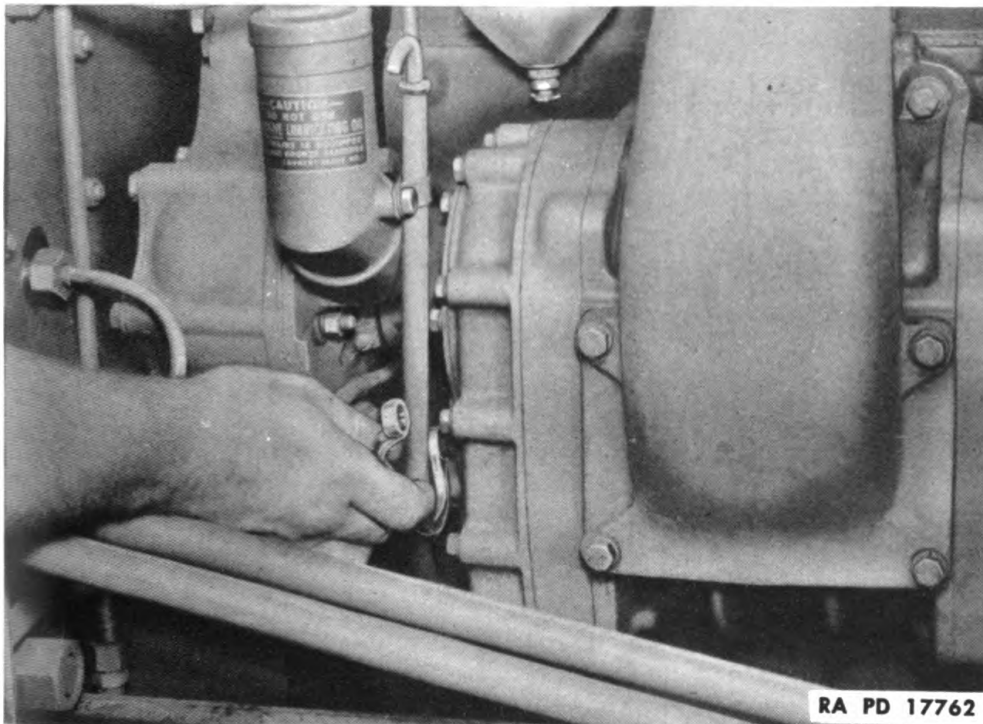
**b. Procedure.**

- (1) CLOSE FUEL SHUT-OFF.
- (2) DISCONNECT FUEL LINES FROM PUMP.

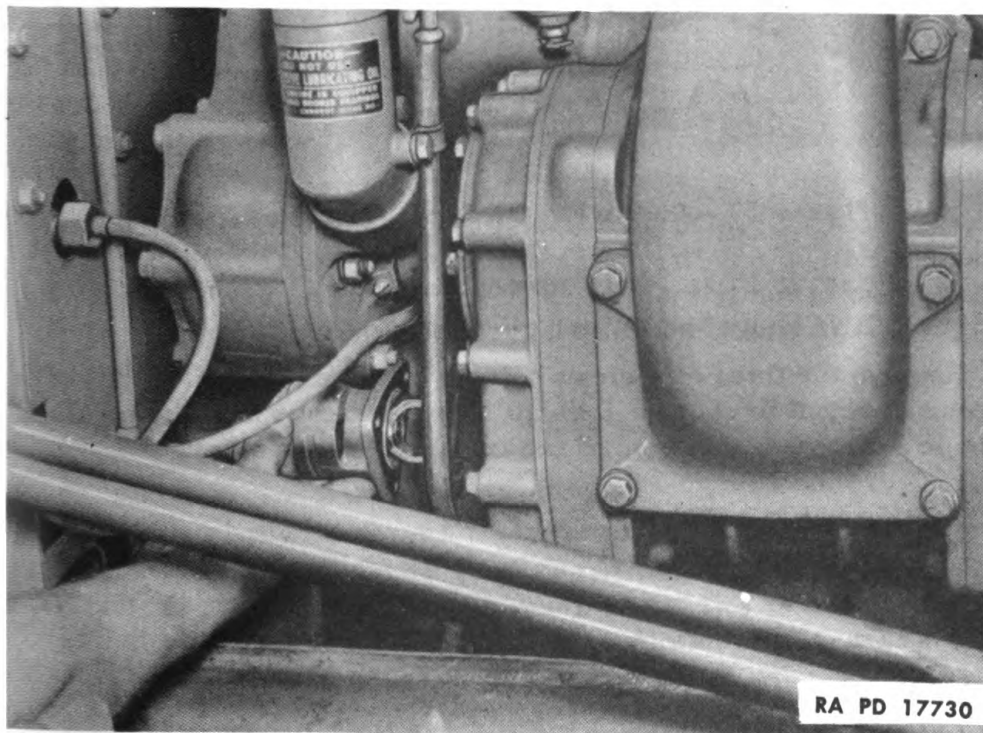
WRENCH, open-end,  $\frac{7}{8}$ -in.

Disconnect inlet and outlet lines from pump.

**FUEL PUMP**



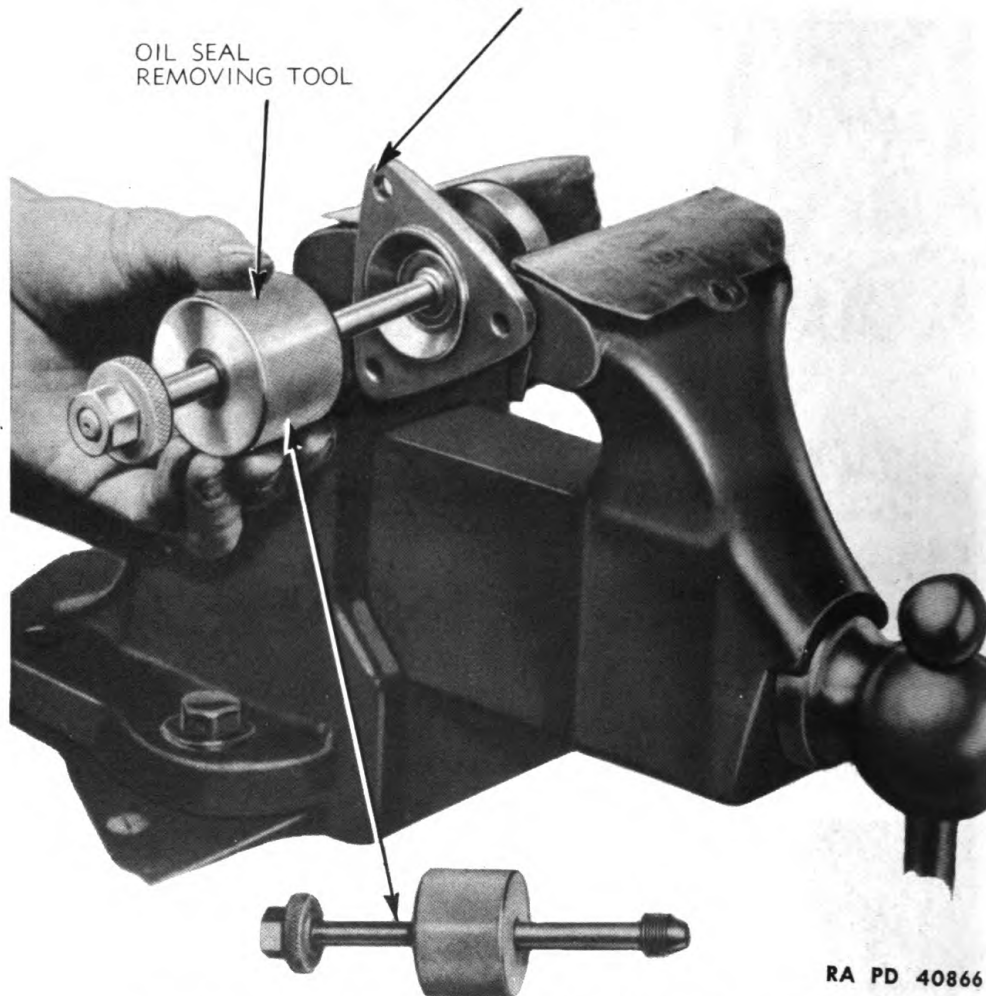
**Figure 45 – Removing Cap Screws from Fuel Pump with Special Wrench**



**Figure 46 – Removing Fuel Pump**

TM 9-1783B  
34-35

**ORDNANCE MAINTENANCE — MEDIUM TRACTOR M1  
(ALLIS-CHALMERS HD-7W) ENGINE ACCESSORIES  
PUMP FLANGE**



**Figure 47 — Removing Oil Seals from Fuel Pump**

**(3) REMOVE FUEL PUMP FROM BLOWER.**

**WRENCH, fuel and water pump**

Remove the three cap screws holding fuel pump to blower. Use the special wrench to remove the cap screw nearest the cylinder block. Remove the fuel pump and drive coupling fork as a unit.

**35. DISASSEMBLY.**

**a. Equipment.**

**HAMMER, soft**  
**TOOL, oil seal removing**

**WRENCH,  $\frac{7}{16}$ -in.**  
**WRENCH,  $\frac{9}{16}$ -in.**

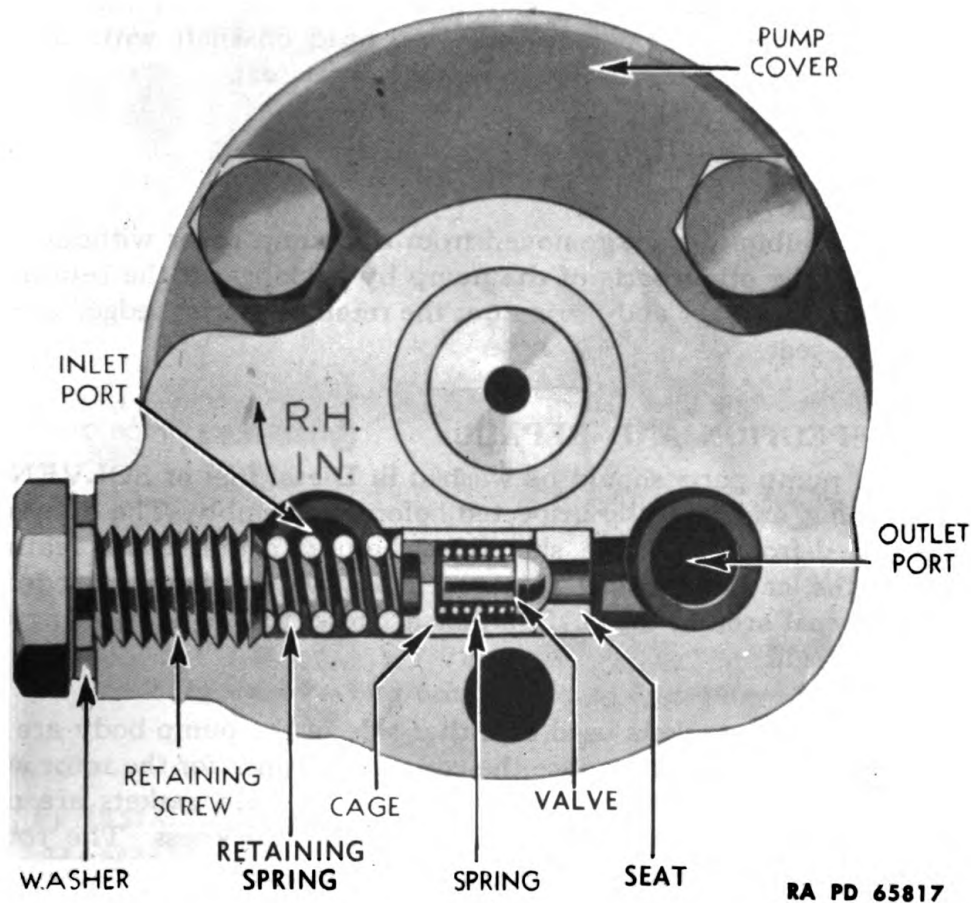
**b. Procedure.**

**(1) REMOVE FUEL PUMP COVER.**

**HAMMER, soft**

**WRENCH,  $\frac{7}{16}$ -in.**

**FUEL PUMP**



**Figure 48 – Cutaway View of Fuel Pump Relief Valve Assembly**

Remove the three cap screws that hold pump cover, body, and flange together. Drive the two dowels back into the pump flange and remove the cover and gasket. **NOTE:** Be careful not to destroy gaskets at each side of pump body, as gaskets of the same thickness must be used when assembling pump.

**(2) REMOVE BODY.**

**HAMMER, soft**

Tap pump body off dowels. Rotor assembly can be withdrawn. As rotor assembly is removed from flange, hold vanes with fingers. **NOTE:** Rotor shaft must not be pulled from the seals in the pump flange unless an oil seal expander tool is available for guiding the rotor shaft back into the seals.

**(3) REMOVE OIL SEALS.**

**TOOL, oil seal removing**

**ORDNANCE MAINTENANCE — MEDIUM TRACTOR M1**  
**(ALLIS-CHALMERS HD-7W) ENGINE ACCESSORIES**

Screw threaded end of tool shaft into inner oil seal of pump flange (seal closest to bolting flange) and tap head on shaft with sliding weight to remove seal. Repeat to remove outer seal.

**(4) REMOVE RELIEF VALVE.**

**WRENCH,  $\frac{9}{16}$ -in.**

This assembly may be removed from the pump cover without disassembling the other parts of the pump by backing out the retaining screw with its washer and jarring out the retaining spring, edge, spring valve, and seat.

**36. INSPECTION AND REPAIR.**

a. All pump parts should be washed in Diesel fuel or SOLVENT, dry-cleaning, and carefully inspected before reassembly. The oil seals, once pulled from the flange, should not be used again. If the feather edges of the leather seals are damaged in any way so they do not form a perfect seal around the shaft, either a Diesel fuel or lubricating oil leak will result.

b. The paper gaskets used on either side of the pump body are of the proper thickness to produce the correct clearance for the rotor and vanes between the pump cover and flange. If these gaskets are not usable, replace with new gaskets of the same thickness. The rotor shaft and vanes should be inspected before replacement and changed if necessary, looking particularly to the wiping surface of the vanes and the inside surface of the pump body.

c. The rotor shaft bears directly on the cast-iron flange and cover. The bearing surfaces of the flange, cover, and rotor shaft should be inspected for scores, scratches, or burs. The clearance of the shaft in its bearings is 0.0015 inch. If clearance is increased above this figure, by reaming or honing, the pump will not operate. Complete pump replacement is therefore necessary when shaft or bearing surfaces are damaged.

d. If the relief valve does not form a tight seal with its seat, no attempt should be made to lap the valve or the seat. Use new parts.

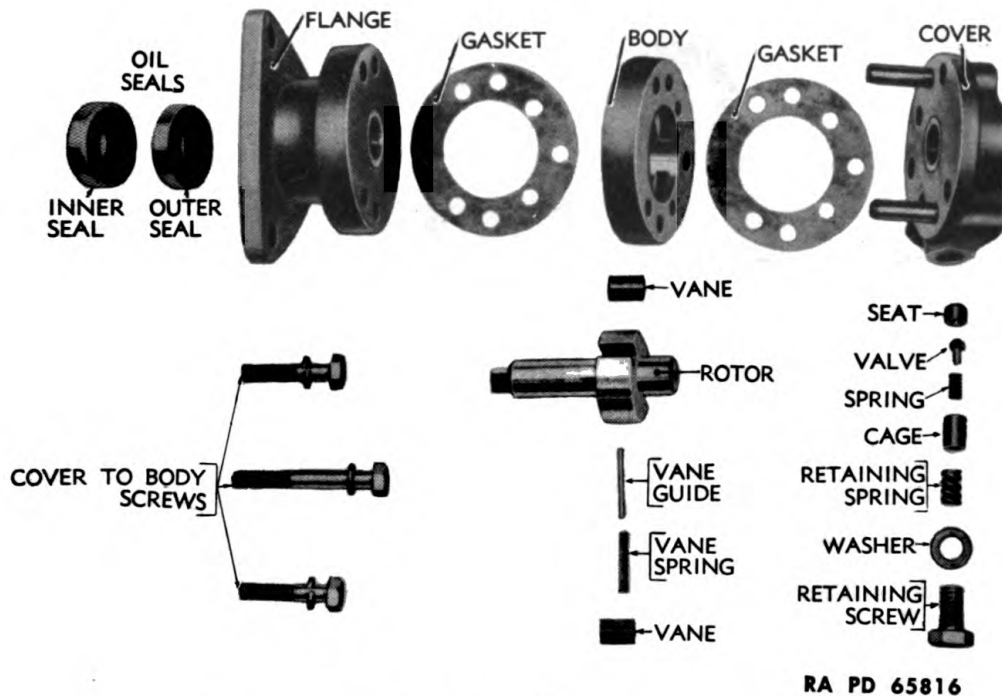
**37. ASSEMBLY.**

**a. Equipment.**

**HAMMER, soft**  
**TOOL, pump holding fixture**  
**TOOLS, guide pin**

**TOOLS, oil seal**  
**WRENCH,  $\frac{7}{16}$ -in.**  
**WRENCH,  $\frac{9}{16}$ -in.**

FUEL PUMP



RA PD 65816

Figure 49 - Exploded View of Fuel Pump

b. Procedure (par. 6 a).

(1) INSTALL OIL SEALS.

HAMMER, soft

TOOLS, oil seal

With leather of seal pointing toward pump body, start outer seal into pump flange. Set driven head of oil seal replacing tool onto seal, with long portion of head toward outer seal. (Short portion of head is placed toward inner seal when it is installed (fig. 43)). Then slide handle through driven head and drive seal into place down tight into counterbore of flange (soft hammer and oil seal tools). Position inner oil seal with leather pointed away from pump body (fig. 43). Then place driven head on seal and drive seal into position as shown in figure 50. The short end of the driven head will locate this seal the proper distance from the outer seal, which was first driven into the flange with the long end of the driven head.

(2) INSTALL PUMP BODY.

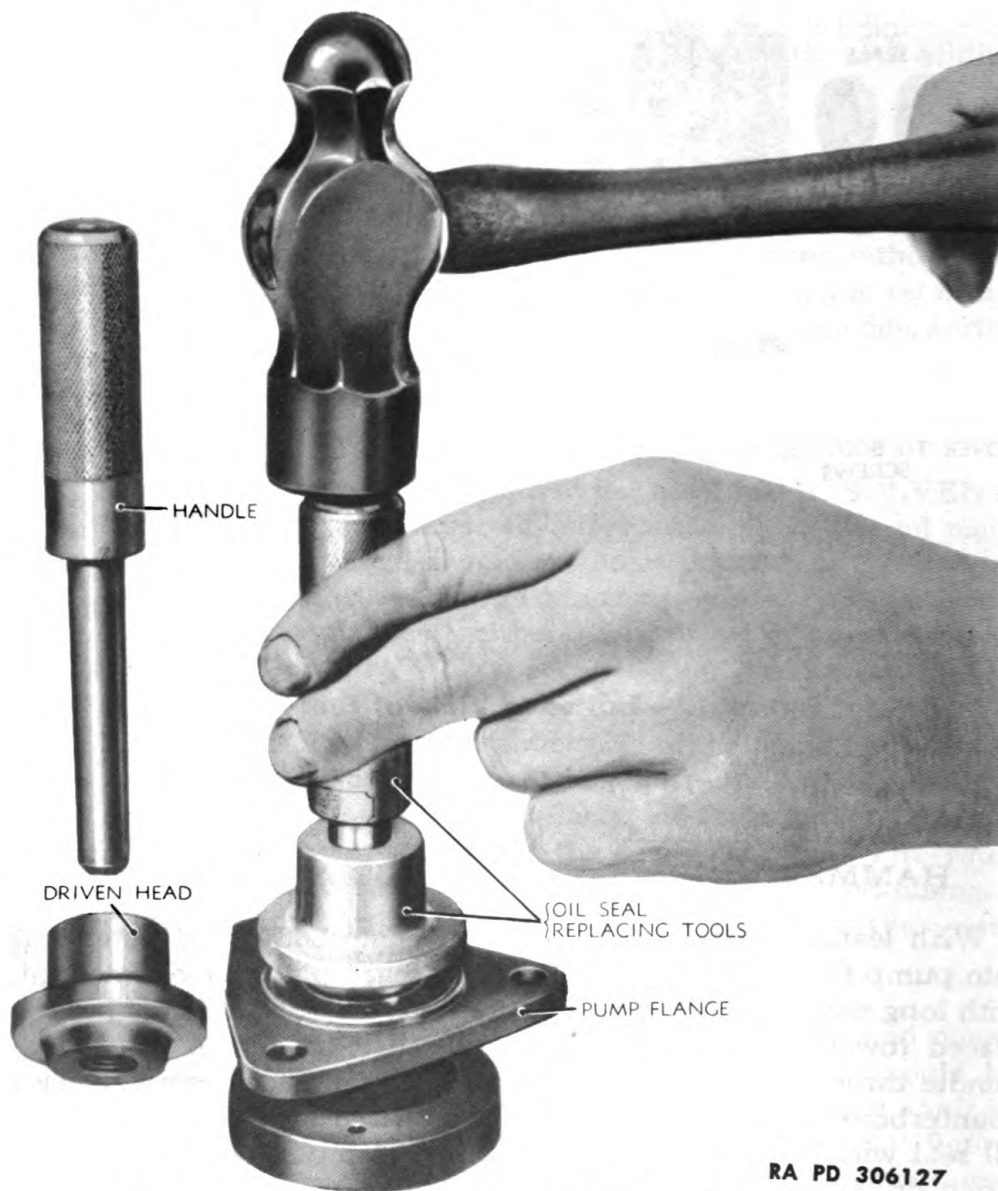
FIXTURE, pump holding

TOOLS, guide pin

Support holding fixture vertically in bench vise. Set pump flange on the three pins of the fixture (fig. 52) and place the two guide pins in the dowel pin holes. Place a paper gasket in position on the face of the pump flange; then place the pump body in position over the guide pins (fig. 52).



**ORDNANCE MAINTENANCE—MEDIUM TRACTOR M1  
(ALLIS-CHALMERS HD-7W) ENGINE ACCESSORIES**



**Figure 50 — Installing Inner Oil Seal in Fuel Pump**

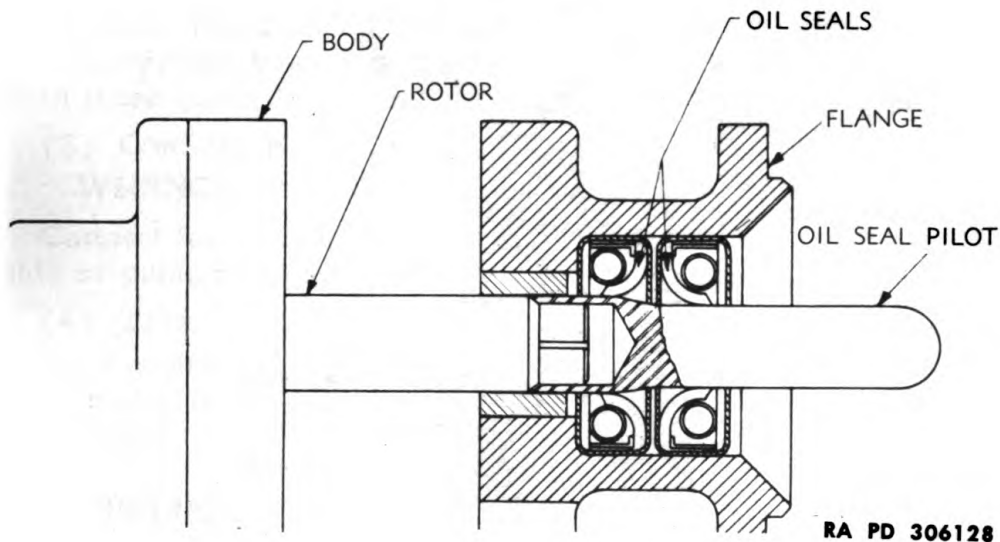
**(3) INSTALL ROTOR ASSEMBLY.  
PILOT, oil seal**

Assemble the vane guide, vane spring, and vanes in the rotor and hold them in place with fingers. Place the oil seal pilot over the square end of rotor (fig. 51). Lubricate pilot with clean engine oil, and while holding the pump vanes in position on the rotor, insert the rotor into place in the pump body.

**(4) INSTALL PUMP COVER.  
WRENCH,  $\frac{7}{16}$ -in.**



**FUEL PUMP**



**Figure 51 – Fuel Pump Oil Seal Pilot in Position**

Install a paper gasket. Then place the pump cover over the guide pins. Install the cover to body bolts and draw tight with fingers only. Remove the special guide pins and drive the two dowels into place (fig. 53). Tighten the cover to body bolts. Turn the pump shaft by hand and test for bind. The rotor should turn smoothly, with a slight drag, but should not bind or have tight spots.

**(5) INSTALL RELIEF VALVE ASSEMBLY.**

**WRENCH,  $\frac{9}{16}$ -in.**

Install the relief valve parts; the seat (seating surface out), valve (spherical head in), spring, cage, retaining spring, and retaining screw with washer (fig. 48).

**38. INSTALLATION.**

**a. Equipment.**

**WRENCH, fuel and water pump**

**WRENCH, open-end,  $\frac{7}{8}$ -in.**

**b. Procedure.**

**(1) INSTALL DRIVE COUPLING FORK ON PUMP.**

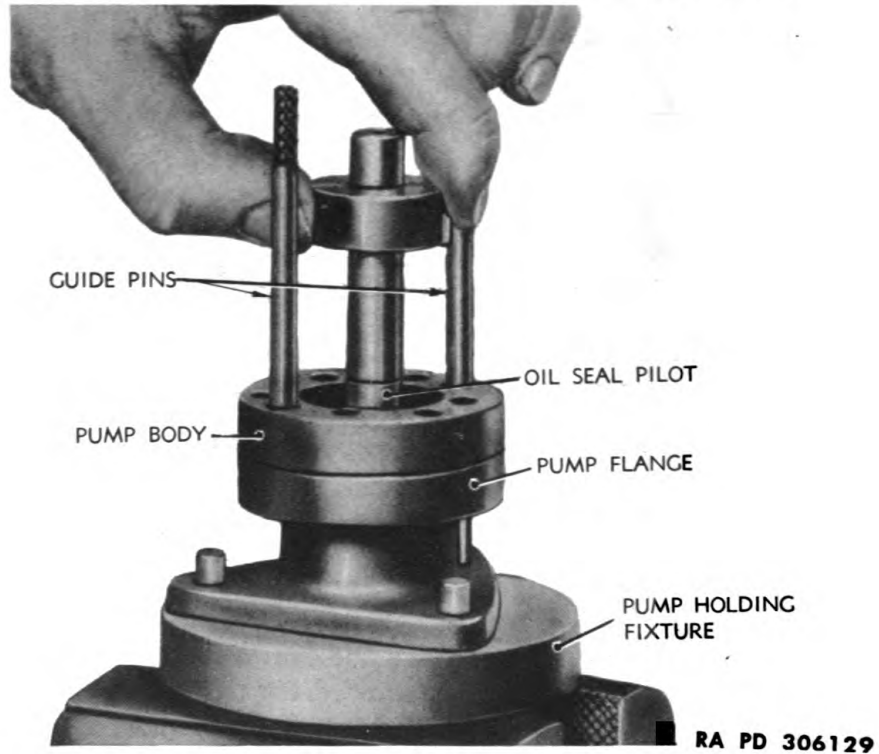
Put coupling fork (arms out) on the squared outer end of the pump shaft. Use a new paper gasket on the pump support flange.

**(2) INSTALL PUMP.**

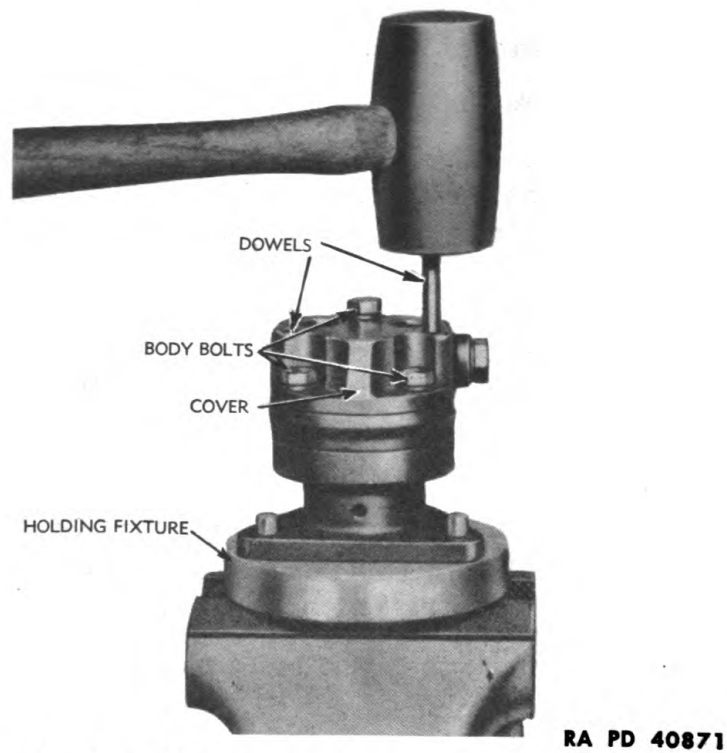
**WRENCH,  $\frac{1}{2}$ -in.**

Install pump assembly on the blower rear end plate cover, engaging the coupling fork in the slots of the coupling disk on the lower blower

**ORDNANCE MAINTENANCE — MEDIUM TRACTOR M1  
(ALLIS-CHALMERS HD-7W) ENGINE ACCESSORIES**



**Figure 52 — Installing Rotor Shaft Through Oil Seals**



**Figure 53 — Installing Fuel Pump Body and Cover**

## FUEL PUMP

rotor shaft. NOTE: The "IN" marking on the pump body should be on the cylinder block side. Secure pump to blower end plate cover with three  $\frac{5}{16}$ - x  $\frac{3}{4}$ -inch cap screws.

### (3) CONNECT FUEL LINES TO PUMP.

WRENCH, open-end,  $\frac{7}{8}$ -in.

Connect fuel line from the fuel supply tank to the fitting on "IN" side of pump and the second line to the other fitting.

### (4) TEST FOR OPERATION.

Start engine and check for fuel or air leaks. Air leaks are indicated by foaming of the fuel or air bubbles in the fuel coming from the return line.

## 39. SPECIAL TOOLS.

a. Special tools required for working on the fuel pump are as follows:

FIXTURE, pump holding  
TOOLS, guide pin

TOOLS, oil seal removing  
and replacing

**ORDNANCE MAINTENANCE — MEDIUM TRACTOR M1  
(ALLIS-CHALMERS HD-7W) ENGINE ACCESSORIES**

**CHAPTER 4  
FUEL AND AIR SYSTEM**

**Section VI**

**FUEL FILTERS**

	Paragraph
General .....	40
First stage fuel filter assembly.....	41
Second stage fuel filter assembly.....	42
Third stage fuel filter assembly.....	43

**40. GENERAL.**

a. In this engine the circulation of Diesel fuel through the injectors helps keep the injectors cool. The fuel pump circulates approximately 25 gallons of fuel per hour through the injection system. If this quantity is allowed to decrease and get too low, there is a possibility of serious damage to the injectors because of overheating. As the fuel filters begin to plug up, the quantity of fuel circulating through the injectors becomes less. It may be reduced to the point where the injectors are becoming dangerously overheated, even though this flow may be sufficient to keep the engine operating normally. Therefore, proper performance of the engine does not necessarily mean that enough fuel is being circulated. For this reason the fuel filtering system should be checked and the filter element replaced at the first indication of any deviation from normal fuel pressure. All fuel filters are of the replaceable element type.

**41. FIRST STAGE FUEL FILTER ASSEMBLY.**

a. **Description.** The first stage fuel filter assembly is suspended on a bracket bolted to the right rear fender under the seat. A fuel line from the supply tank leads to this assembly and another leads from the filter to the fuel pump. A cotton wound element is used in this filter.

**b. Removal.**

**(1) EQUIPMENT.**

WRENCH,  $\frac{9}{16}$ -in.

WRENCH, open-end,  $\frac{7}{8}$ -in.

WRENCH, open-end,  $\frac{3}{4}$ -in.

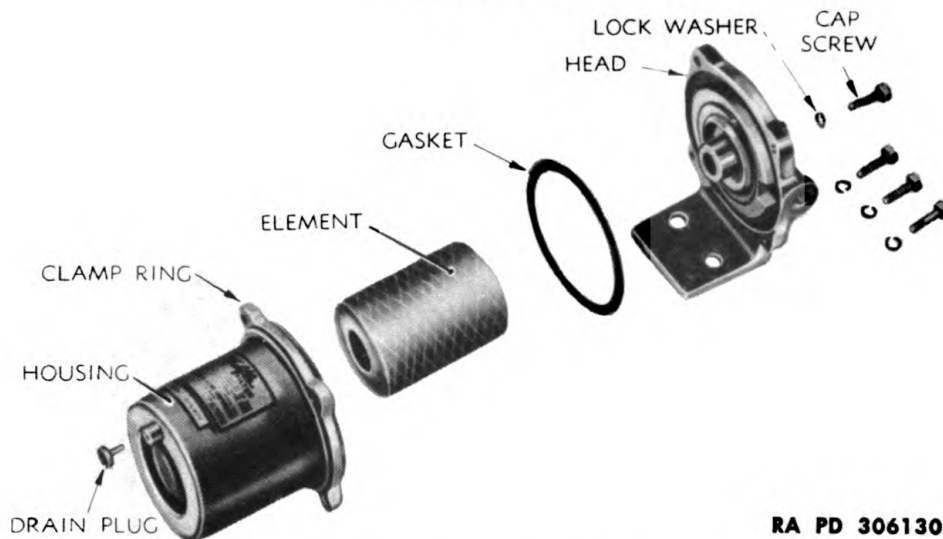
**(2) PROCEDURE.**

**(a) Disconnect Fuel Lines.**

WRENCH, open-end,  $\frac{3}{4}$ -in.

WRENCH, open-end,  $\frac{7}{8}$ -in.

**FUEL FILTERS**



RA PD 306130

**Figure 54 – Exploded View of First Stage Fuel Filter Assembly**

Close fuel shut-off valve at tank and disconnect the fuel lines from both inlet and outlet side of fuel filter assembly ( $\frac{3}{4}$ - and  $\frac{7}{8}$ -in. wrenches).

(b) *Remove Assembly from Tractor.*

WRENCH, open-end,  $\frac{9}{16}$ -in.

Remove the two cap screws which hold bracket to rear fender and remove fuel filter assembly.

**c. Disassembly.**

(1) **EQUIPMENT.**

WRENCH,  $\frac{7}{16}$ -in.

(2) **PROCEDURE.**

Remove the four cap screws which hold head to clamp ring and remove housing. Remove gasket.

**d. Maintenance.** Remove the dirty or clogged element and clean housing thoroughly with clean Diesel fuel. Replace old element with new one. **NOTE:** Do not attempt to clean dirty or clogged element. The element may be changed by removing the housing from the head without removing the entire assembly (fig. 55).

**e. Assembly.**

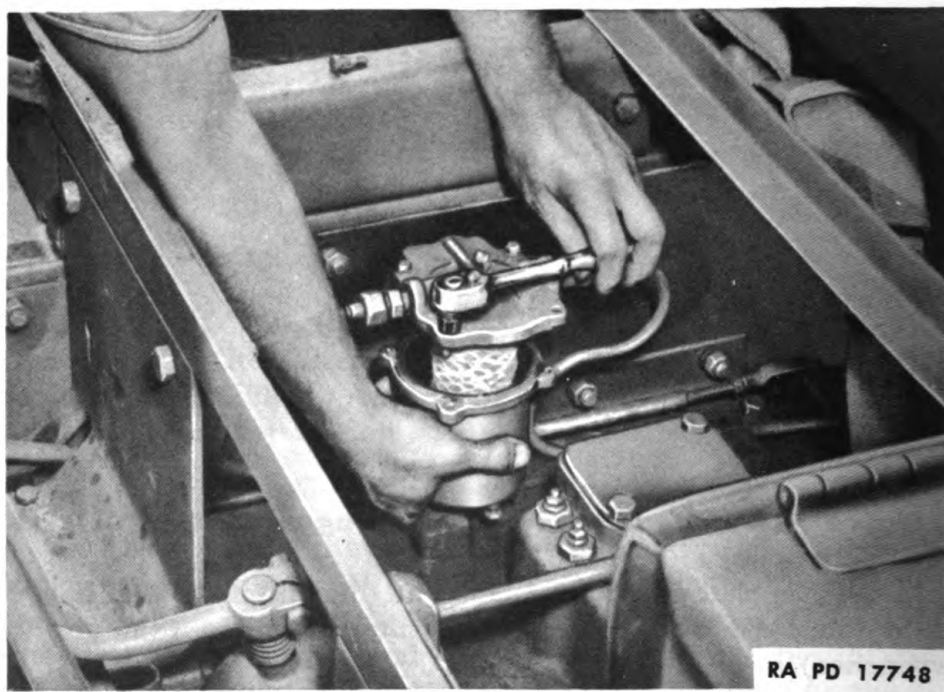
(1) **EQUIPMENT.**

WRENCH,  $\frac{7}{16}$ -in.

(2) **PROCEDURE** (par. 6 a).

Bolt the housing to the filter head by inserting four  $\frac{1}{4}$ - x 1-inch cap screws through head and into clamp ring. Use new gasket and shellack both sides of gasket.

**ORDNANCE MAINTENANCE—MEDIUM TRACTOR M1  
(ALLIS-CHALMERS HD-7W) ENGINE ACCESSORIES**



**Figure 55 – Removing First Stage Fuel Filter Housing**

**f. Installation.**

**(1) EQUIPMENT.**

WRENCH, open-end,  $\frac{9}{16}$ -in.

WRENCH, open-end,  $\frac{3}{4}$ -in.

WRENCH, open-end,  $\frac{7}{8}$ -in.

**(2) PROCEDURE.**

**(a) Install Assembly on Tractor.**

WRENCH, open-end,  $\frac{9}{16}$ -in.

Install the assembly on the fender with two  $\frac{3}{8}$ - x  $\frac{7}{8}$ -inch cap screws.

**(b) Connect Fuel Lines to Fuel Filter Assembly.**

WRENCH, open-end,  $\frac{3}{4}$ -in.

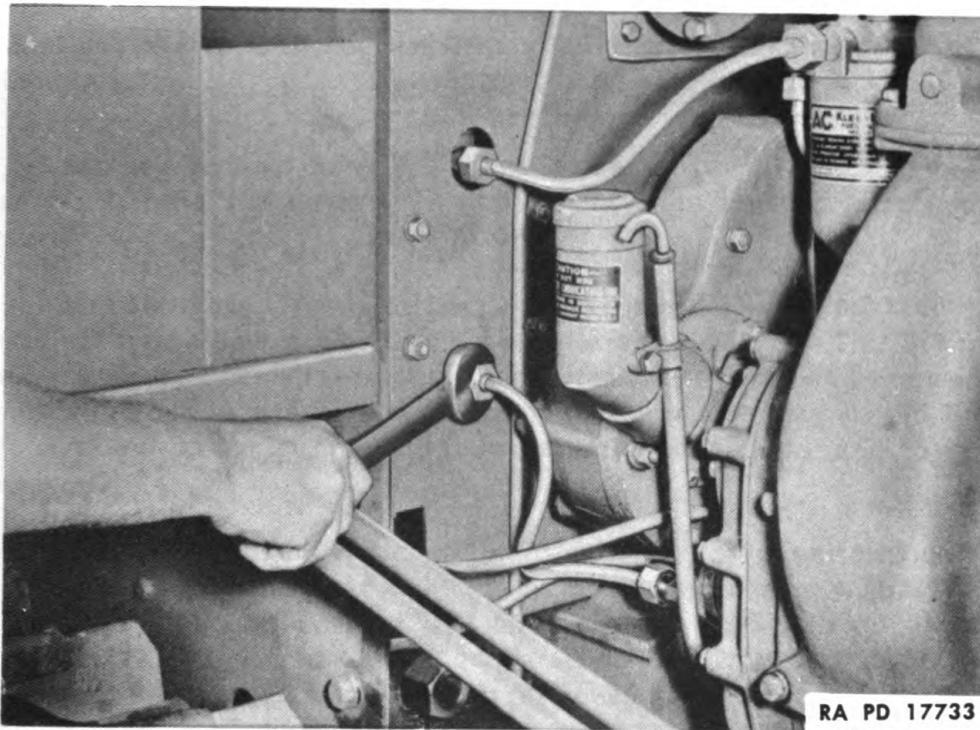
WRENCH, open-end,  $\frac{7}{8}$ -in.

Connect the fuel lines to each end fitting of fuel filter assembly ( $\frac{3}{4}$ - and  $\frac{7}{8}$ -in. wrenches); open fuel shut-off valve under fuel supply tank and inspect for leaks.

**42. SECOND STAGE FUEL FILTER ASSEMBLY.**

**a. Description.** This filter is of the replaceable cartridge type bolted to and under the cowl. The element consists of a replaceable waste-filled sack.

## FUEL FILTERS



RA PD 17733

**Figure 56 – Disconnecting Fuel Line from Second Stage Fuel Filter**

**b. Removal.**

(1) **EQUIPMENT.**

WRENCH,  $\frac{9}{16}$ -in. (2)

WRENCH, open-end,  $\frac{7}{8}$ -in.

(2) **PROCEDURE.**

(a) *Disconnect Fuel Lines.*

WRENCH, open-end,  $\frac{7}{8}$ -in.

Disconnect both inlet and outlet fuel lines.

(b) *Remove Fuel Filter from Cowl.*

WRENCH,  $\frac{9}{16}$ -in. (2)

Remove the four bolts which hold mounting bands to cowl and remove fuel filter assembly.

**c. Disassembly.**

(1) **EQUIPMENT.**

WRENCH,  $\frac{1}{2}$ -in.

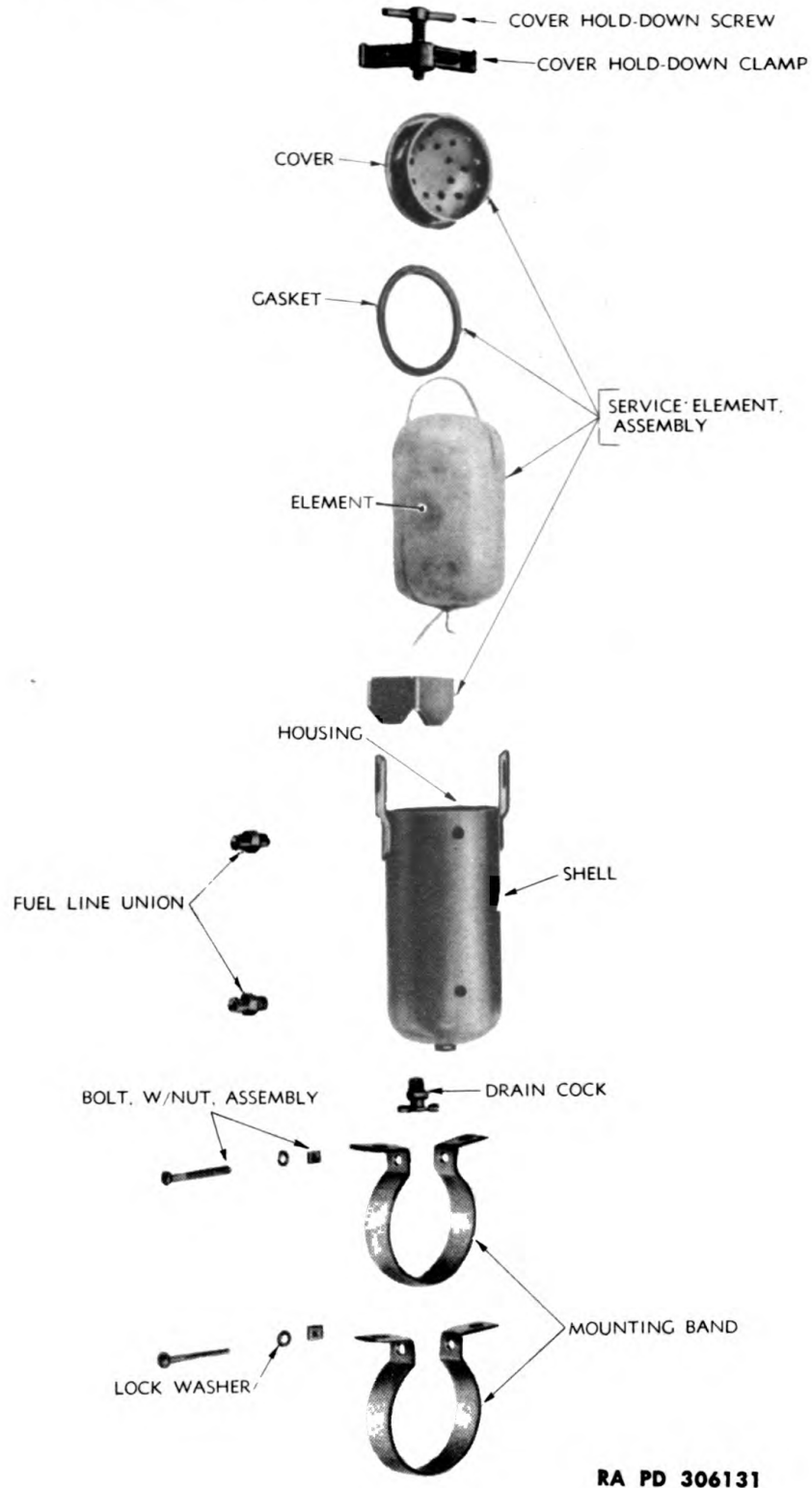
(2) **PROCEDURE.**

(a) *Remove Mounting Band Bolts.*

WRENCH,  $\frac{1}{2}$ -in.



**ORDNANCE MAINTENANCE—MEDIUM TRACTOR M1  
(ALLIS-CHALMERS HD-7W) ENGINE ACCESSORIES**



**Figure 57 – Exploded View of Second Stage Fuel Filter Assembly**

## FUEL FILTERS

Remove the bolts through mounting bands and slide them off fuel filter housing.

*(b) Remove Fuel Filter Element.*

Loosen and remove cover hold-down screw, and remove it with the clamp. Remove the cover and lift element from housing. Remove gasket.

**d. Maintenance.** Wash housing out with clean Diesel fuel before installing new element. See that drain cock is not clogged. This drain cock should be opened every day to drain sediment and water out of filter. **NOTE:** To replace element only, the filter assembly should be left installed on the tractor and only the hold-down clamp and cover removed.

**e. Assembly.** Install element in housing. Place cover and new gasket on filter, install clamp in slots, and tighten cover in place with hold-down screw. Place mounting bands on filter and install the two  $\frac{5}{16}$ - x 3-inch bolts, but do not tighten bands around housing, as it may be necessary to slide bands up or down on housing when mounting it on cowl.

**f. Installation.**

**(1) EQUIPMENT.**

WRENCH,  $\frac{1}{2}$ -in.

WRENCH, open-end,  $\frac{7}{8}$ -in.

WRENCH,  $\frac{9}{16}$ -in. (2)

**(2) PROCEDURE (par. 6 a).**

**(a) Install Fuel Filter Assembly on Cowl.**

WRENCH,  $\frac{1}{2}$ -in.

WRENCH, open-end,  $\frac{7}{8}$ -in.

Install bolts,  $\frac{3}{8}$ - x 1-inch, through mounting bands and cowl and start nuts on bolts. Tighten bolts through mounting bands ( $\frac{1}{2}$ -in. wrench) and then tighten bolts through cowl (two  $\frac{9}{16}$ -in. wrenches).

**(b) Connect Fuel Lines.**

WRENCH, open-end,  $\frac{7}{8}$ -in.

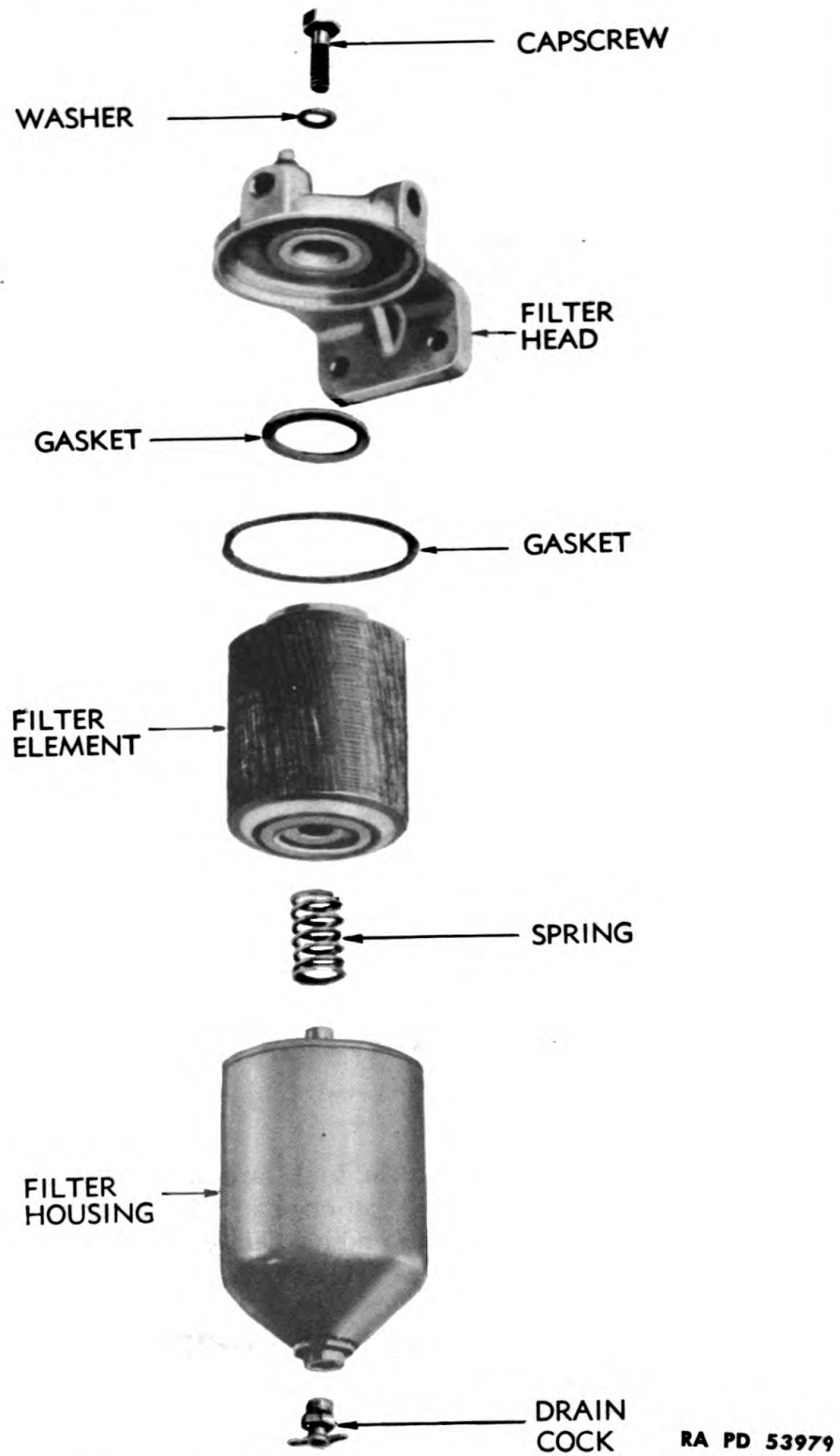
Connect lower fuel line, open the fuel shut-off valve and fill the filter with fuel (this will save cranking engine with starter to pump fuel to fill filter). Close shut-off valve and connect upper fuel line. Reopen valve, start engine, and check for leaks.

### 43. THIRD STAGE FUEL FILTER ASSEMBLY.

**a. Description.** This filter is mounted to the cylinder head. It is also of the replaceable cartridge type. The fuel line running to the fuel pressure gage connects to the top of this filter. Fuel leaving this filter passes into the intake fuel manifold and to the injectors.

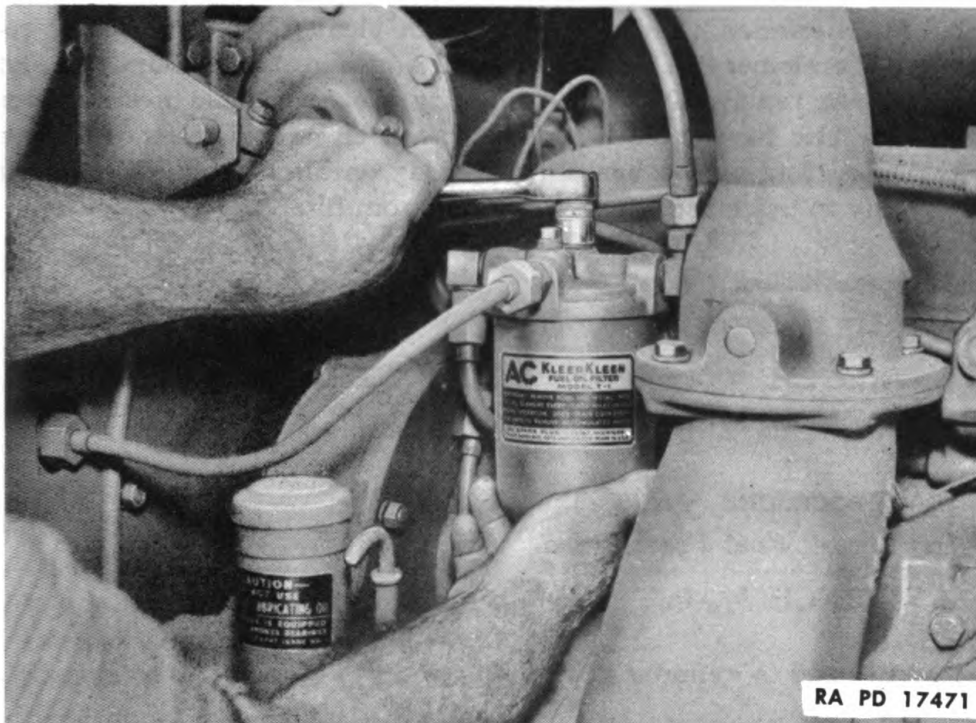
TM 9-1783B  
43

**ORDNANCE MAINTENANCE—MEDIUM TRACTOR M1  
(ALLIS-CHALMERS HD-7W) ENGINE ACCESSORIES**



**Figure 58 — Exploded View of Third Stage Fuel Filter Assembly**

## FUEL FILTERS



**Figure 59 – Removing Third Stage Fuel Filter Housing**

**b. Removal.**

**(1) EQUIPMENT.**

WRENCH,  $\frac{9}{16}$ -in.

WRENCH,  $\frac{5}{8}$ -in.

WRENCH, open-end,  $\frac{7}{8}$ -in.

**(2) PROCEDURE.**

**(a) Disconnect Fuel Lines.**

WRENCH, open-end,  $\frac{7}{8}$ -in.

Disconnect the fuel lines from the fittings on fuel filter head.

**(b) Remove Fuel Filter Housing.**

WRENCH,  $\frac{5}{8}$ -in.

Drain fuel filter by opening drain cock at bottom. Remove cap screw and washer housing to head and remove housing and element. Remove two gaskets. Lift element from housing.

**(c) Remove Fuel Filter Head.**

WRENCH,  $\frac{9}{16}$ -in.

Remove two cap screws and take filter head from cylinder head.

**ORDNANCE MAINTENANCE — MEDIUM TRACTOR M1  
(ALLIS-CHALMERS HD-7W) ENGINE ACCESSORIES**

c. **Maintenance.** Clean housing with clean Diesel fuel after removing the element. The element and housing may be removed and the element replaced without removing the filter head from tractor (fig. 59). Use new gasket supplied with each new element. Fill case with Diesel fuel before installing housing on filter head. Open drain cock daily to drain sediment and water from filter.

**d. Installation.**

(1) **EQUIPMENT.**

WRENCH,  $\frac{9}{16}$ -in.

WRENCH, open-end,  $\frac{7}{8}$ -in.

WRENCH,  $\frac{5}{8}$ -in.

(2) **PROCEDURE (par. 6 a).**

(a) *Install Fuel Filter Head.*

WRENCH,  $\frac{9}{16}$ -in.

Install head to cylinder head with two  $\frac{3}{8}$ - x 1-inch cap screws.

(b) *Install Element in Case.*

Install the spring and new element in the housing with the end marked "TOP" up, and fill the case with fuel. **NOTE:** Two interchangeable types of filter element are supplied for use in the third stage fuel filter. One is a cotton wound type similar to the filter elements used in the first stage fuel filter located under the seat. A steel washer is supplied with each of these elements, and when this type filter element is used, the washer should be placed on the hollow stud inside the filter housing before the element and smaller gasket are installed. The other type of element used is of a special filter composition and requires no steel washer.

(c) *Install Housing.*

WRENCH,  $\frac{5}{8}$ -in.

Install new gaskets in filter head and on top of element; install retaining screw and washer and draw case up to head (fig. 59).

(d) *Connect Fuel Lines.*

WRENCH, open-end,  $\frac{7}{8}$ -in.

Connect fuel line from second stage fuel filter to front fitting of third stage fuel filter and line from intake fuel manifold to rear fitting. Connect pressure gage line to fitting on top of fuel filter. Open fuel line. Shut off valve.

**CHAPTER 4**  
**FUEL AND AIR SYSTEM**

**Section VII**

**BLOWER**

	<b>Paragraph</b>
Description .....	44
General information on maintenance.....	45
Inspection of blower assembly.....	46
Removal from tractor.....	47
Disassembly of blower.....	48
Disassembly of blower drive assembly.....	49
Inspection of blower parts.....	50
Assembly of blower.....	51
Assembly of blower drive assembly.....	52
Installation of blower drive assembly.....	53
Installation of blower.....	54
Fits and tolerances.....	55
Special tools .....	56

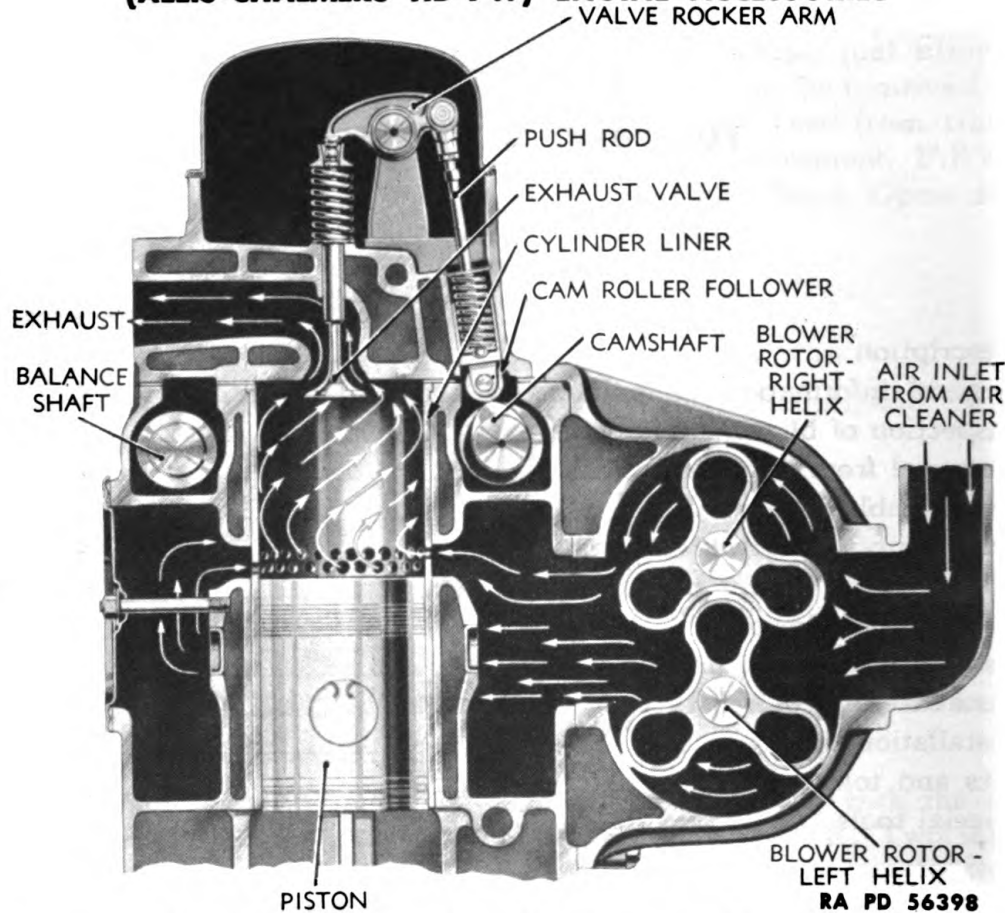
**44. DESCRIPTION.**

**a. General Description.**

(1) The blower supplies the fresh air needed for combustion and for sweeping the cylinders clear of exhaust gases. Its operation is similar to that of a gear-type oil pump. Two hollow rotors—each with three lobes—revolve with very close clearances in a housing bolted to the side of the engine. To provide continuous and uniform displacement of air, the rotor lobes are made in a twisted or helical form (fig. 74).

(2) Air entering the blower inlet from the air cleaner is picked up by the lobes and carried to the discharge side of the blower as indicated by the arrows (fig. 60). The continuous discharge of fresh air from the blower creates an air pressure of about eight pounds per square inch in the air chamber of the cylinder block when the engine is operating at maximum speed. As the intake ports at the bottom of the cylinder start to open at 48 degrees before bottom dead center, this air sweeps through into the cylinder. These ports close at 48 degrees after bottom dead center. The angle of the ports in the cylinder liners imparts a rotary motion to the intake air as it enters the cylinder. This rotation persists throughout the compression stroke and improves combustion.

**ORDNANCE MAINTENANCE—MEDIUM TRACTOR M1  
(ALLIS-CHALMERS HD-7W) ENGINE ACCESSORIES**



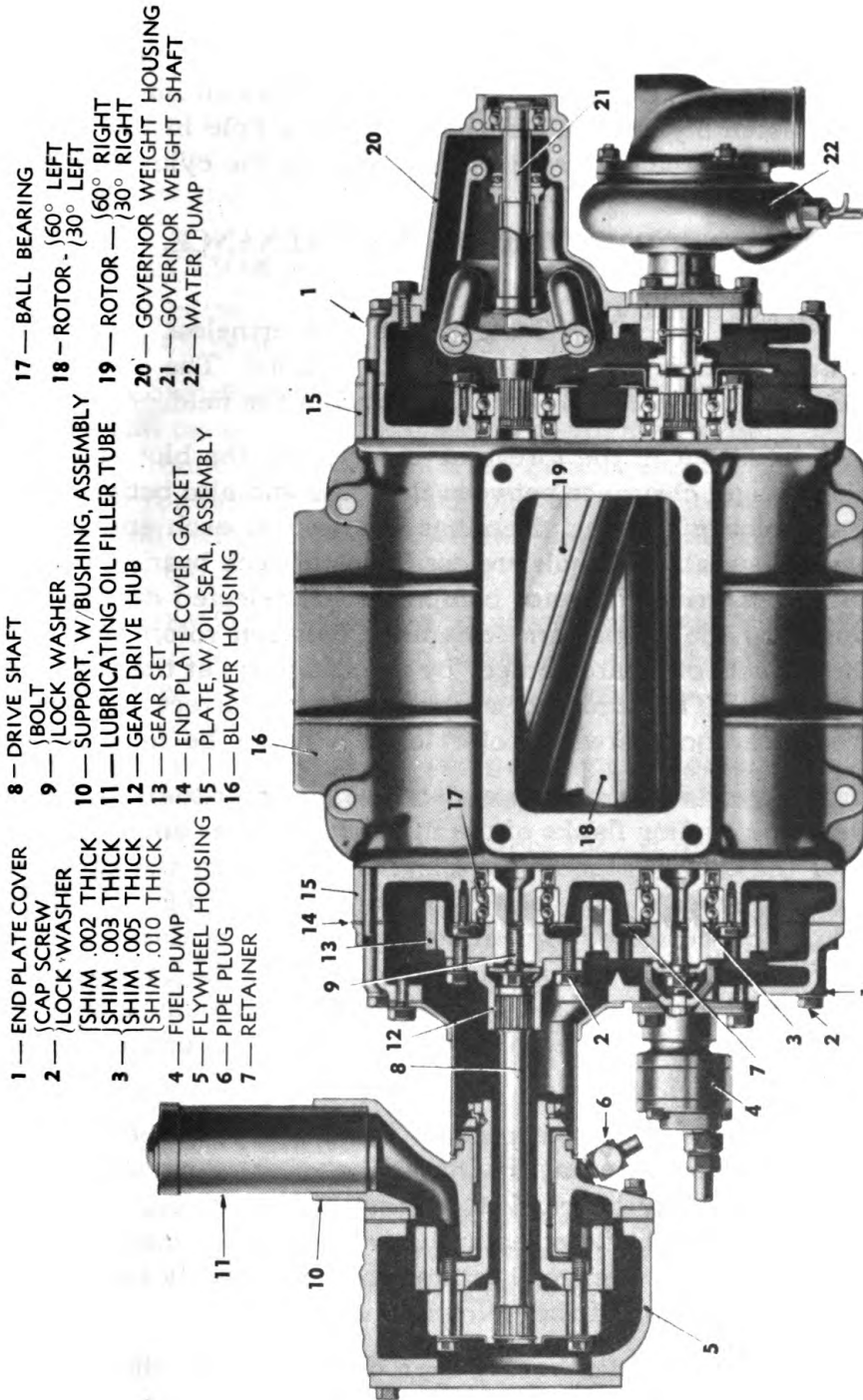
**Figure 60 – Cross Section of Engine Showing Circulation of Air**

(3) Two timing gears on the drive end of the rotor shafts space the rotor lobes with a slight clearance. Thus, because the rotors do not touch each other at any time, they require no lubrication. Highly effective seals prevent air leakage at the ends of the lobes and also keep the oil used for lubricating the timing gears and rotor shaft bearings from entering the rotor compartment. The upper rotor is driven at 1.95 times engine speed by the blower drive shaft and the lower rotor is driven from the upper rotor through the blower timing gears. The flexible coupling attached to the blower drive gear prevents the transmission of torque fluctuations to the blower. It is formed by an elliptical cam driven by two bundles of leaf springs which ride on four semicylindrical supports. Each rotor is supported on the doweled end plates of the blower housing by a single-row radial ball bearing at the front, and a two-row, preloaded, radial and thrust ball bearing at the rear or gear end.

**b. Blower Lubrication.** The blower gears and bearings are lubricated from the oil which drains from the valve operating mechanism in the cylinder head into the camshaft pockets in the cylinder block.



**BLOWER**



- 1 — END PLATE COVER
- 2 — { CAP SCREW
- { LOCK WASHER
- 3 — { SHIM .002 THICK
- { SHIM .003 THICK
- { SHIM .005 THICK
- { SHIM .010 THICK
- 4 — FUEL PUMP
- 5 — FLYWHEEL HOUSING
- 6 — PIPE PLUG
- 7 — RETAINER
- 8 — DRIVE SHAFT
- 9 — { BOLT
- { LOCK WASHER
- 10 — SUPPORT, W/BUSHING, ASSEMBLY
- 11 — LUBRICATING OIL FILLER TUBE
- 12 — GEAR DRIVE HUB
- 13 — GEAR SET
- 14 — END PLATE COVER GASKET
- 15 — PLATE, W/OIL SEAL, ASSEMBLY
- 16 — BLOWER HOUSING
- 17 — BALL BEARING
- 18 — ROTOR - /60° LEFT
- { /30° LEFT
- 19 — ROTOR — /60° RIGHT
- { /30° RIGHT
- 20 — GOVERNOR WEIGHT HOUSING
- 21 — GOVERNOR WEIGHT SHAFT
- 22 — WATER PUMP

RA PD 306133

**Figure 61 — Cutaway View of Blower Assembly**

**ORDNANCE MAINTENANCE—MEDIUM TRACTOR M1  
(ALLIS-CHALMERS HD-7W) ENGINE ACCESSORIES**

After this oil reaches a certain level in the pockets, it overflows through a hole at each end of the blower housing, providing lubrication for the blower drive gears at rear end and governor and water pump drives at the front. A dam in the blower end plate cover maintains an oil level which submerges the teeth of the lower rotor timing gear. A slinger on the opposite end of the lower rotor throws oil into the governor weight assembly. Surplus oil passes from a hole in the end of the blower to the oil pan through drilled holes in the cylinder block.

**45. GENERAL INFORMATION ON MAINTENANCE.**

**a. Service.**

(1) The blower is not a delicate device. Nevertheless, great care is taken when the unit is assembled at the factory. The same care must be exercised when the blower is serviced in the field.

(2) As pointed out in the foregoing description, the blower rotors revolve with a slight clearance between the lobes and also between the lobes and the blower housing. Bearings are used at each end of the rotor shafts and suitable oil seals are used back of each bearing to prevent engine oil entering the rotor compartment. Selected double-row ball bearings provide proper end clearance between rotors and end plates. The blower rotors are "timed" by the two gears at the rear end of the rotor shafts. This timing or spacing must be correct; otherwise the required clearance between rotor lobes will not be maintained.

(3) Normal gear wear causes a decrease of rotor-to-rotor clearance between the leading flanks of the upper rotor lobes and the trailing flanks of the lower rotor lobes. Clearance between the opposite sides of the rotor lobes is increased correspondingly. While rotor lobe clearance may be corrected by adjustment, gear backlash cannot. Therefore, when gears have worn to the point where the backlash exceeds 0.004-inch, the gears should be changed. The procedure for timing blower rotors for proper clearance between lobes is outlined under "Blower Timing" (par. 51).

(4) Because of the important part the blower plays in the efficient operation of the Diesel engine, an inspection of the unit should be made every 1,000 engine hours. If this practice is followed, minor irregularities can usually be detected and corrected before more serious difficulties develop. A blower may fail to function properly because of any one or a combination of the following reasons:

(a) Dirt or foreign matter having been drawn through the blower, thereby scoring the rotor lobes and housing.

(b) Worn oil seals, permitting lubricating oil to be drawn into rotor compartment.

## BLOWER

(c) Worn blower drive coupling, causing rattling noise inside blower.

(d) Loose rotor shafts, worn gear teeth, or damaged bearings, causing contact between rotor lobes, rotors, and end plates, and between rotors and housing.

(e) Out of time—that is, due to timing gear wear, the mating rotor lobes may not have sufficient clearance at one side and too much clearance on the opposite side (fig. 81).

### 46. INSPECTION OF BLOWER ASSEMBLY.

a. Proceed as follows to determine if any of the conditions listed in paragraph 45 exist in the blower:

(1) **SCORED HOUSING OR ROTORS.** Dirt or chips drawn through the blower will cause deep scratches in the rotors and housing and throw up burrs around such abrasions. If burrs cause interference between rotors, or rotors and housing, the blower should be removed from the engine and parts dressed down to eliminate interference, or rotors changed if too badly scored.

(2) **LEAKY OIL SEALS.** Leaky oil seals are usually indicated by the presence of oil on the blower rotors or inside the housing. Oil on rotors is sometimes a result of pull-over from overfilled air cleaners; therefore the two conditions should not be confused. To check for oil seal, direct a strong light into rotor compartment and observe end plates for thin oil film which will radiate away from a leaky oil seal (fig. 61).

(3) **WORN BLOWER DRIVE.** A worn blower drive may be detected by grasping the top rotor firmly and attempting to rotate. Rotors should move from  $\frac{3}{8}$  inch to  $\frac{5}{8}$  inch, measured at lobe crown, with a springing action. When released, rotors should move back at least  $\frac{1}{4}$  inch. Blower flexible drive coupling should be inspected if rotors cannot be moved as directed above or if rotors move too freely or can be rattled. If check shows drive coupling to be worn, the blower drive gear assembly may be withdrawn from the front of the cylinder block end plate after the blower has been removed from the engine and the drive gear support-to-cylinder block end plate cap screws removed.

(4) **LOOSE ROTOR SHAFTS OR DAMAGED BEARINGS.** If loose rotor shafts or damaged bearings are causing blower difficulties, such conditions will be indicated by rubbing and scoring between crowns of rotor lobes and mating rotor roots, between rotors and end plates, or between rotors and housing. Generally a combination of these conditions exists. A loose shaft usually causes rubbing between rotors and end plates. Worn or damaged bearings will cause rubbing between mating rotor lobes at some point or perhaps allow rotor assemblies to touch blower housing. This condition will usually show up at end of rotors

**ORDNANCE MAINTENANCE — MEDIUM TRACTOR M1  
(ALLIS-CHALMERS HD-7W) ENGINE ACCESSORIES**

at which bearings have failed. Excessive backlash in blower timing gears usually results in rotor lobes rubbing throughout their entire length. To correct any of the conditions cited in previous paragraphs, the blower must be removed from the engine and either repaired or replaced.

**47. REMOVAL FROM TRACTOR.****a. Equipment.**

<b>BAR, pry</b>	<b>WRENCH, open-end, 5/8-in.</b>
<b>HAMMER, soft</b>	<b>WRENCH, open-end, 3/4-in.</b>
<b>PLIERS</b>	<b>WRENCH, open-end, 7/8-in.</b>
<b>SCREWDRIVER, 8-in.</b>	<b>WRENCH, socket, 1/2-in.,</b>
<b>WRENCH, 7/16-in. (2)</b>	<b>with extension</b>
<b>WRENCH, 9/16-in.</b>	<b>WRENCH, socket, 5/8-in.</b>
<b>WRENCH, fuel pump</b>	<b>WRENCH, socket, 3/4-in.</b>
<b>WRENCH, open-end, 1/2-in.</b>	

**b. Procedure.****(1) REMOVE PRECLEANER AND HOOD.**

<b>BAR, pry</b>	<b>WRENCH, open-end, 9/16-in.</b>
<b>WRENCH, 7/16-in. (2)</b>	

Loosen clamp at base of precleaner (two 7/16-in. wrenches) and lift precleaner off. Loosen the nuts on the hood hold-down straps at each corner of the hood; pry bolts out of slot. Remove bolt at left rear corner inside battery box (9/16-in. wrench) and lift hood off over exhaust stack.

**(2) REMOVE RIGHT FRONT FENDER.**

**WRENCH, 3/4-in. (2)**

Remove one bolt and three cap screws and lift off fender.

**(3) DISCONNECT WATER AND FUEL LINES.**

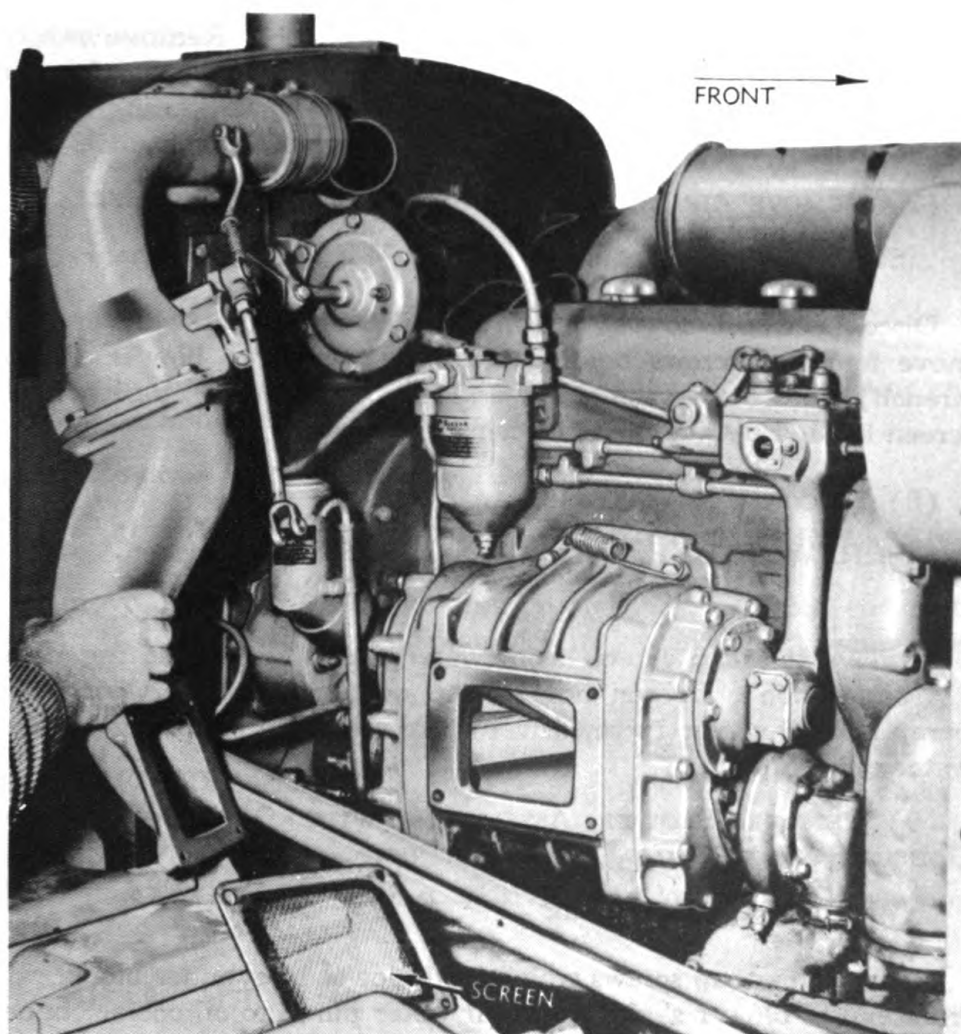
<b>WRENCH, open-end, 3/4-in.</b>	<b>WRENCH, open-end, 7/8-in.</b>
----------------------------------	----------------------------------

Drain radiator and water pump. Clean all dirt and grease from rocker arm cover, blower and blower drive assembly, governor assembly, and right side of engine. Disconnect fuel lines from fuel pump (3/4- and 7/8-in. wrenches).

**(4) REMOVE ROCKER ARM COVER AND GOVERNOR CONTROL HOUSING COVER.**

**PLIERS**

**SCREWDRIVER, 8-in.**

**BLOWER**

RA PD 306134

**Figure 62 – Removing Air Inlet Elbow and Inlet Housing**

Remove pins and disconnect two governor control rods (pliers). Remove spring from rod. Remove rocker arm cover. Remove four screws and lift off control housing cover (screwdriver).

**(5) REMOVE GOVERNOR CONTROL LINK.****PLIERS**

Remove pin connecting link to injector control tube lever. Remove clip and lift out end of link from differential lever on governor and remove link from cylinder head (fig. 166).

**(6) REMOVE GOVERNOR CONTROL HOUSING ASSEMBLY.****SCREWDRIVER, 8-in.****WRENCH,  $\frac{7}{16}$ -in.**

**ORDNANCE MAINTENANCE—MEDIUM TRACTOR M1  
(ALLIS-CHALMERS HD-7W) ENGINE ACCESSORIES**

Remove two screws from top of governor breather tube (screwdriver) and lift tube out of clip at bottom of tube. Remove two cap screws holding top of control housing to cylinder head and four cap screws holding control housing to governor weight housing ( $\frac{7}{16}$ -in. wrench). Lift out governor control housing assembly (fig. 165).

**(7) REMOVE AIR INLET ELBOW AND AIR INLET HOUSING.****SCREWDRIVER, 8-in.****WRENCH,  $\frac{9}{16}$ -in.**

Disconnect hose at rear end of air inlet elbow (screwdriver). Remove four cap screws holding air inlet housing to blower ( $\frac{9}{16}$ -in. wrench), and remove the elbow and housing assembly, together with screen located between inlet housing and blower.

**(8) DISCONNECT WATER PUMP.****SCREWDRIVER, 8-in.****WRENCH, socket,  $\frac{1}{2}$ -in.,  
with extension**

Remove two cap screws from water pump outlet packing flange ( $\frac{1}{2}$ -in. wrench). Loosen hose clamp at connection between water pump and oil cooler (screwdriver), and slip hose connector up onto water pump inlet.

**(9) REMOVE BLOWER ASSEMBLY (WITH GOVERNOR WEIGHT HOUSING, WATER PUMP, AND FUEL PUMP ATTACHED).****WRENCH, socket,  $\frac{5}{8}$ -in.**

Remove four cap screws which hold blower to cylinder block; raise front end of blower slightly to clear water pump to oil cooler connection. Pull blower assembly forward and away from engine, withdrawing blower drive cover from drive cover packing on drive gear support and drive shaft from gear drive hub attached to blower upper rotor timing gear, using caution not to bind blower drive shaft while removing assembly. **NOTE:** If engine is removed from tractor, it is better to first remove blower drive shaft cover on flywheel housing and pull blower drive shaft out through opening before blower is moved forward.

**(10) REMOVE BLOWER DRIVE ASSEMBLY.****WRENCH,  $\frac{1}{2}$ -in.****WRENCH, open-end,  $\frac{3}{4}$ -in.****WRENCH,  $\frac{9}{16}$ -in. (2)****WRENCH, open-end,  $\frac{7}{8}$ -in.****WRENCH, open-end,  $\frac{7}{16}$ -in.**

Remove oil line leading from cylinder block to blower drive bearing ( $\frac{7}{16}$ -in. wrench). Remove cap screw holding top of oil gage rod tube

## BLOWER

to filler pipe ( $\frac{1}{2}$ -in. wrench), disconnect tube at lower end ( $\frac{3}{4}$ - and  $\frac{7}{8}$ -in. wrenches), and remove oil gage rod and tube assembly. Remove two cap screws and four bolts holding blower drive assembly to rear cylinder block end plate (two  $\frac{9}{16}$ -in wrenches), and pull assembly forward out of flywheel housing and cylinder block end plate.

### (11) REMOVE ACCESSORIES FROM BLOWER.

#### (a) Remove Fuel Pump.

WRENCH,  $\frac{1}{2}$ -in.

Remove three cap screws attaching fuel pump to blower rear end plate cover and remove fuel pump and coupling.

#### (b) Remove Water Pump.

HAMMER, soft

WRENCH, open-end,  $\frac{1}{2}$ -in.

Remove three cap screws holding pump to blower front end plate cover. Tap pump lightly with hammer to loosen it and remove the pump from blower.

#### (c) Remove Governor Weight Housing.

WRENCH,  $\frac{1}{2}$ -in.

Remove six cap screws attaching housing to blower front end plate cover and withdraw governor drive shaft from upper blower rotor shaft as housing is removed.

## 48. DISASSEMBLY OF BLOWER.

### a. Equipment.

HAMMER, soft

WRENCH,  $\frac{7}{16}$ -in.

HAMMER, 2-lb

WRENCH,  $\frac{1}{2}$ -in.

SCREWDRIVER, 8-in.

WRENCH,  $\frac{9}{16}$ -in.

TOOL SET, blower service

WRENCH,  $\frac{3}{4}$ -in.

WOOD BLOCKS (2)

WRENCH, hexagon,  $\frac{3}{16}$ -in.

### b. Procedure (refer to fig. 71).

#### (1) REMOVE END PLATE COVERS.

HAMMER, soft

WRENCH,  $\frac{1}{2}$ -in.

Remove 10 cap screws in each end plate cover ( $\frac{1}{2}$ -in wrench) and remove both covers. NOTE: Do not pry between cover and end plate or gasket surfaces will be damaged. Tap loose with soft hammer.



**ORDNANCE MAINTENANCE — MEDIUM TRACTOR M1  
(ALLIS-CHALMERS HD-7W) ENGINE ACCESSORIES****(2) REMOVE WATER PUMP DRIVE COUPLING.****WRENCH**, hexagon,  $\frac{3}{16}$ -in.

Loosen expander screw at center and front end of blower lower rotor shaft at water pump coupling and remove water pump drive coupling from shaft.

**(3) REMOVE GEAR DRIVE HUB.****HAMMER**, soft**WRENCH**,  $\frac{1}{2}$ -in.

Remove six cap screws attaching gear drive hub to rear face of upper rotor timing gear ( $\frac{1}{2}$ -in. wrench) and tap flange free from gear (hammer).

**(4) REMOVE CAP SCREWS FROM CENTER OF BLOWER TIMING GEARS.****WRENCH**,  $\frac{3}{4}$ -in.

Remove the cap screw, special lock washer, and retaining washer, which hold the upper timing gear in place at the center. The lower timing gear is held similarly by a cap screw, special lock washer, and the fuel pump coupling disk.

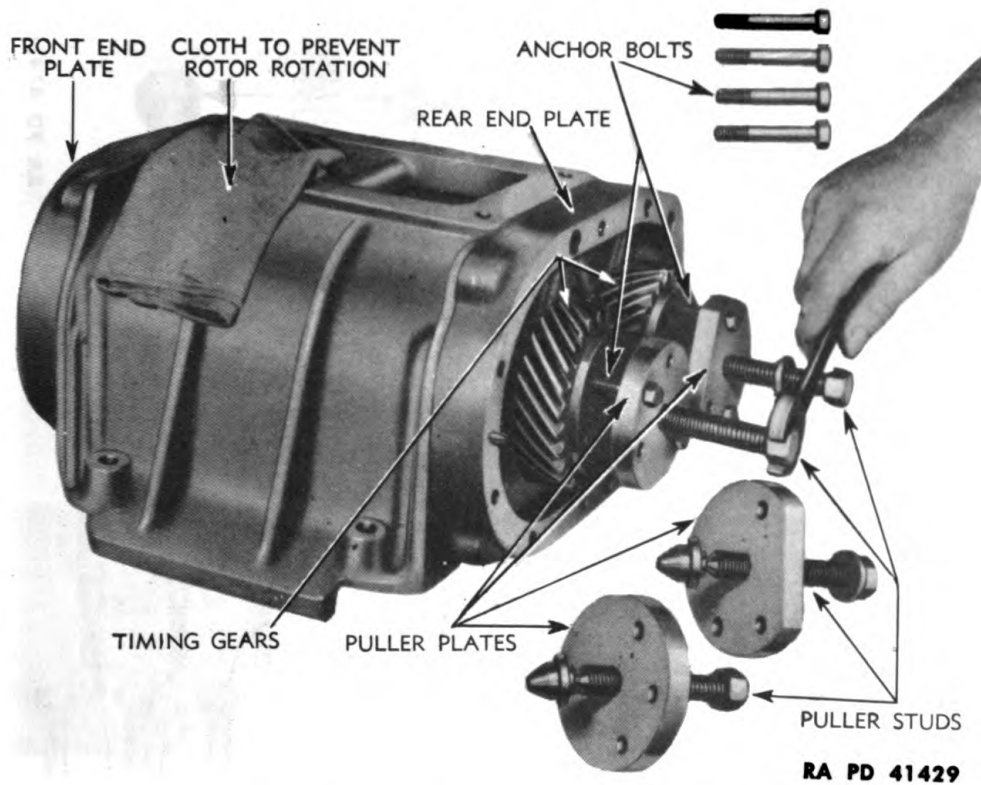
**(5) REMOVE TIMING GEARS.****ASSEMBLY**, puller

Place cloth in rotor to prevent turning. The two timing gears must be pulled from the rotor shafts at the same time. Back out puller studs in puller plates as far as possible. Install two anchor bolts through diametrically opposite holes in puller plates and into timing gears so faces of plates are parallel with gear faces. Turn the two puller studs uniformly clockwise and withdraw gears from rotor shafts (fig. 63). Note number and thickness of shims on each rotor shaft, if any are used behind gears. Remove shims from shafts and keep in order for re-assembly.

**(6) REMOVE ROTOR SHAFT BEARING RETAINER.****WRENCH**,  $\frac{7}{16}$ -in.

Remove three cap screws at each bearing and remove rotor shaft bearing retainers at both ends of blower.

**(7) REMOVE END PLATES AND ROTORS.****ASSEMBLY**, puller  
**SCREWDRIVER**, 8-in.**WRENCH**,  $\frac{1}{2}$ -in.  
**WRENCH**,  $\frac{5}{8}$ -in.

**BLOWER**

**Figure 63 – Removing Blower Rotor Timing Gears**

(a) Remove two countersunk fillister head screws from front end plate and loosen the two countersunk fillister head screws in rear end plate about three turns (screwdriver).

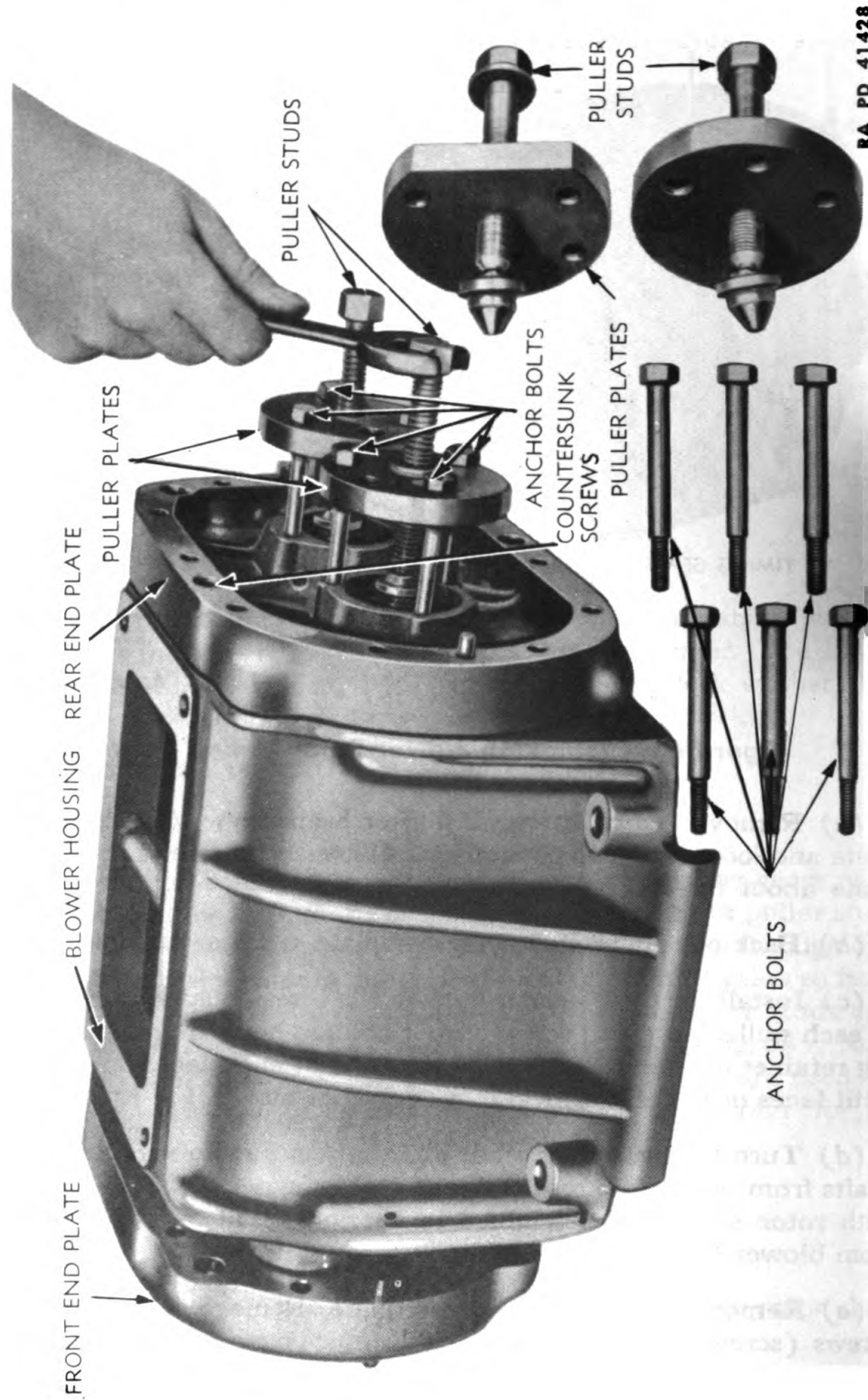
(b) Back out puller studs in puller plate as far as possible.

(c) Install the three anchor bolts in the three equally spaced holes of each puller plate and screw anchor bolts in holes from which bearing retainer cap screws were removed on rear end plate and screw in until faces of plates are parallel with face of blower ( $\frac{1}{2}$ -in. wrench).

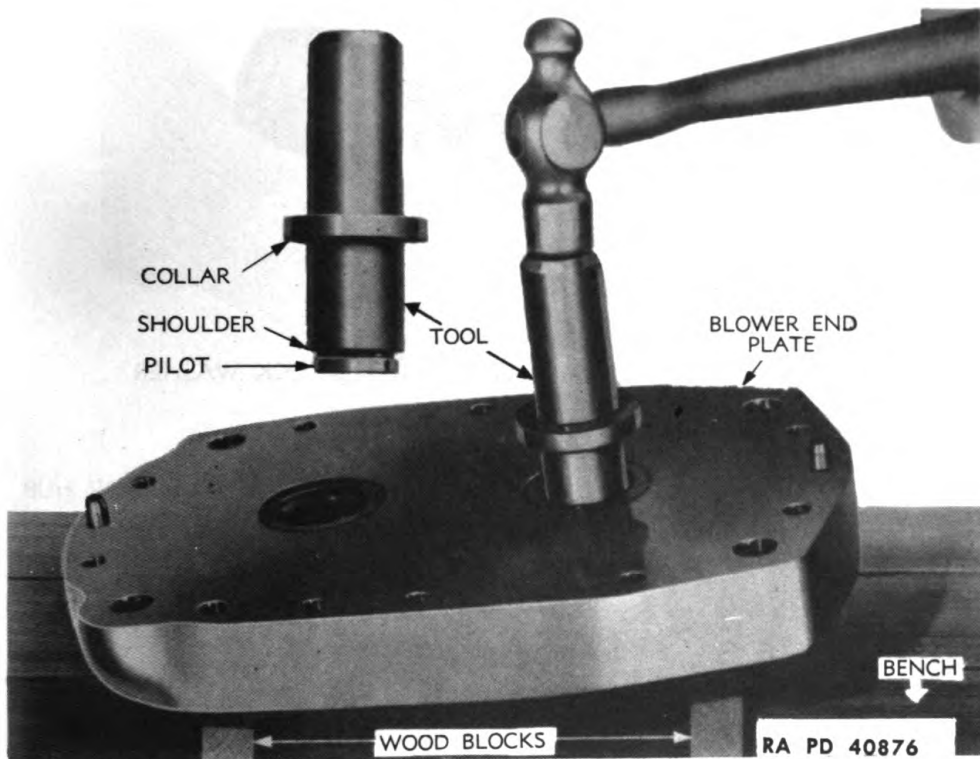
(d) Turn the two puller studs uniformly clockwise and push rotor shafts from bearings in rear end plate ( $\frac{5}{8}$ -in. wrench). Front plate—with rotor shafts still assembled in bearings—will be pushed away from blower housing at same time.

(e) Remove puller from rear end plate. Remove the two fillister screws (screwdriver); then pull plate from position by hand. Withdraw rotors and front end plate assembly from blower housing, if rotors are not scored. If rotors are scored, remove front end plate from rotor bearings before withdrawing rotors in the same manner and with the same tools as used for removing rear end plate.

**ORDNANCE MAINTENANCE—MEDIUM TRACTOR M1  
(ALLIS-CHALMERS HD-7W) ENGINE ACCESSORIES**



**Figure 64 — Removing Front End Plate and Rotor Shafts from Rear Bearings and Housing**

**BLOWER**

**Figure 65 – Removing Blower Rotor Shaft Bearings**

**(8) REMOVE ROTOR SHAFT BEARINGS FROM BLOWER END PLATES.**

**HAMMER, 2-lb**

**WOOD BLOCKS (2)**

**TOOL, bearing and seal  
remover**

Insert remover tool through oil seal from inner face of blower end plate (fig. 65) so pilot of tool enters bore in inner race of bearing and shoulder of tool rests against face of bearing inner race. Support end plate on wood blocks about two inches off bench and, using hammer, drive bearing from position (step (9) below). Follow this method on all four bearings.

**(9) REMOVE BEARING OIL SEALS FROM BLOWER END PLATES.**

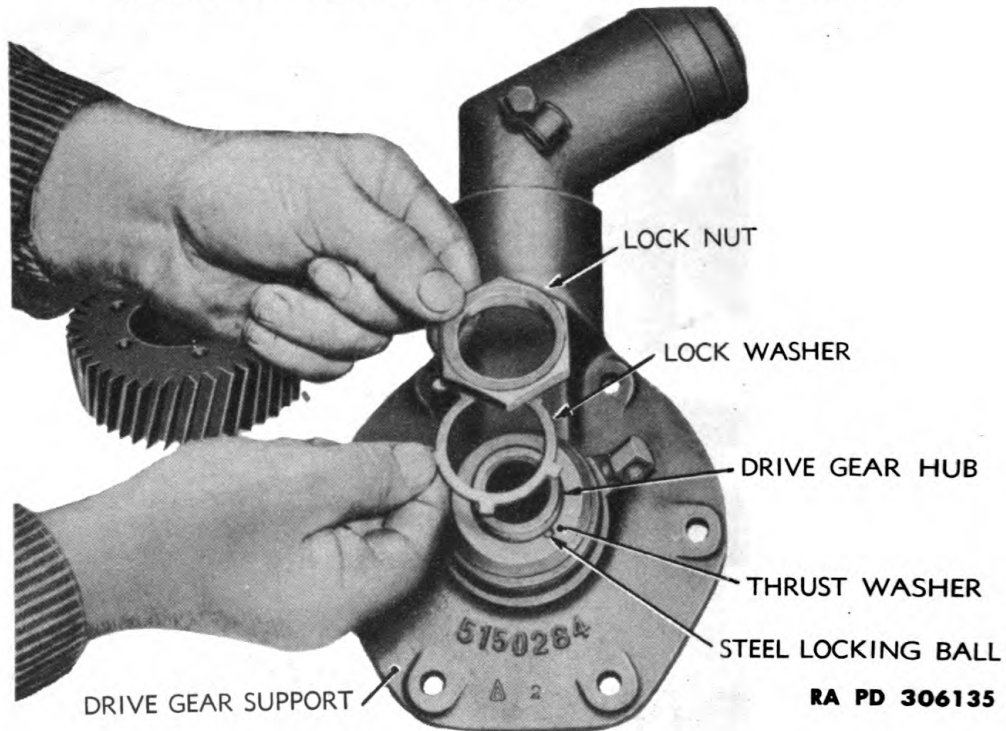
**HAMMER, 2-lb**

**WOOD BLOCKS (2)**

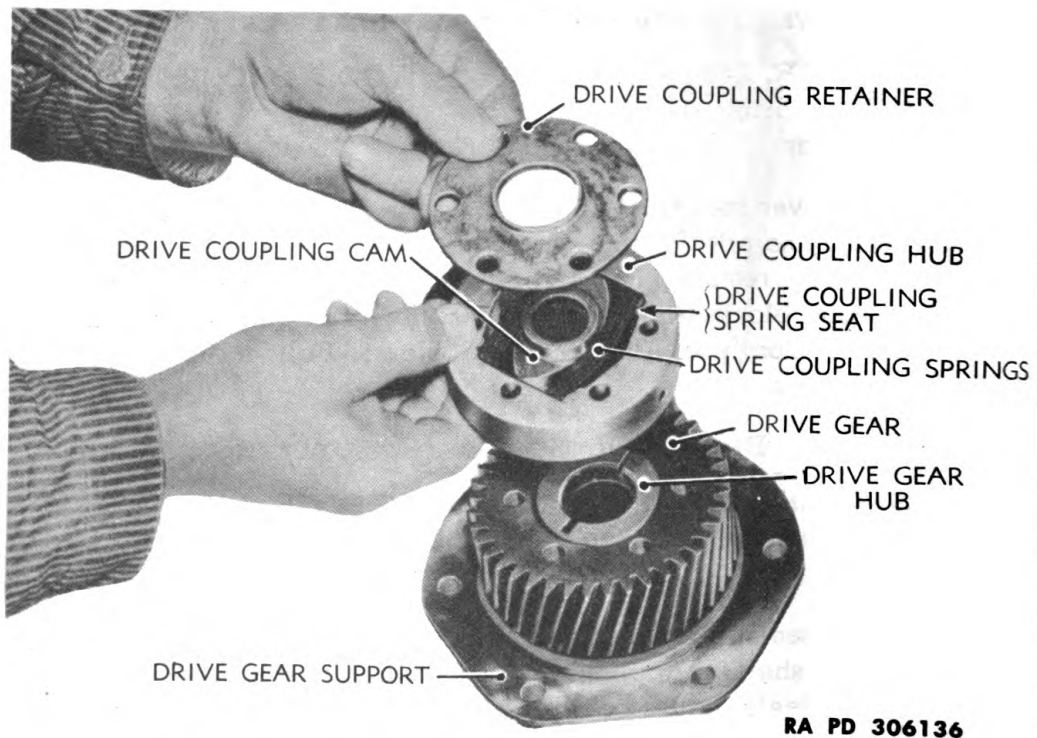
**TOOL, bearing and seal  
remover**

Inspect oil seals at this time. If the leather has been scored so that a tight seal on shafts is impossible or the leathers have become charred and hard, the seals should be replaced. If change is necessary, remove the seals from end plates at the same time the individual bearings are

**ORDNANCE MAINTENANCE—MEDIUM TRACTOR M1  
(ALLIS-CHALMERS HD-7W) ENGINE ACCESSORIES**



**Figure 66 – Nut and Lock Washer Removed  
from Blower Drive Gear Hub**



**Figure 67 – Removing Blower Drive Coupling Hub and Gear**

**BLOWER**



RA PD 306137

**Figure 68 – Removing Driving Gear Hub from Support**

removed. This is done by continuing to drive down on the tool (fig. 65), until collar on tool rests on and forces seal down and out of plate.

**49. DISASSEMBLY OF BLOWER DRIVE ASSEMBLY.**

**a. Equipment.**

CHISEL, 1/2-in.  
HAMMER, 1/2-lb  
HAMMER, 2-lb  
SCREWDRIVER, 10-in.

TOOL, spring spreader  
VISE  
WRENCH, 1/2-in.  
WRENCH, open-end, 1 7/8-in.

**b. Procedure (fig. 83).**

**(1) REMOVE BLOWER DRIVE GEAR.**

WRENCH, 1/2-in.

Remove six cap screws which allow the drive coupling retainer, drive coupling hub, and drive gear to be separated from the drive gear hub assembly.

**(2) REMOVE DRIVE GEAR HUB FROM SUPPORT.**

CHISEL, 1/2-in.  
HAMMER, 1/2-lb

SCREWDRIVER, 10-in.  
WRENCH, open-end, 1 7/8-in.



**ORDNANCE MAINTENANCE—MEDIUM TRACTOR M1  
(ALLIS-CHALMERS HD-7W) ENGINE ACCESSORIES**



RA PD 41006

**Figure 69 — Removing Drive Cover Packing from Support**

Straighten lock washer (hammer and chisel) and remove lock nut (1 $\frac{7}{8}$ -in. wrench), lock washer, thrust washer, and  $\frac{7}{32}$ -inch steel locking ball from drive gear hub. Remove hub from support. Remove drive cover packing from outside of support (screwdriver).

**(3) REMOVE DRIVE COUPLING CAM AND SPRINGS.**

**HAMMER, 2-lb  
TOOL, spring spreader**

**WISE**

Place assembly in vise. Hammer drive coupling cam from springs with aid of spring spreader. Remove the 21 drive coupling springs and two spring seats from each side of drive coupling hub.

**50. INSPECTION OF BLOWER PARTS.**

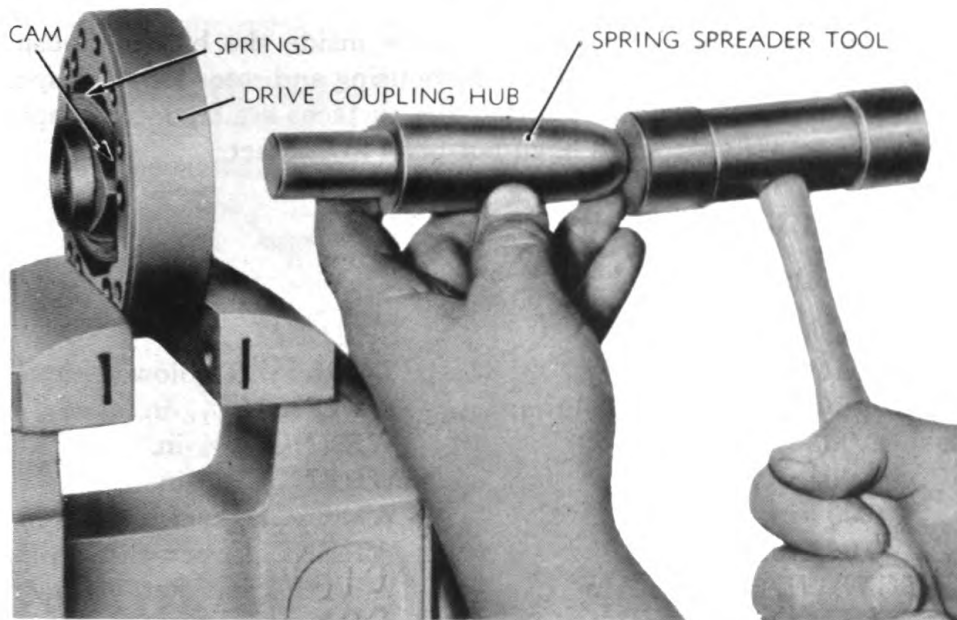
a. After the blower has been disassembled, all parts should be washed in clean Diesel fuel, blown off with dry compressed air, and inspected before assembly.

**b. Ball Bearings.**

(1) Wash the ball bearings by rotating them by hand in clean Diesel fuel until free from grease and foreign substances.



**BLOWER**



RA PD 306138

**Figure 70 – Preparing to Remove Blower Drive Coupling Cam**

(2) Clean the balls and races by directing air through the bearing as the bearing is rotated by hand. *Do not spin the bearing with air pressure.*

(3) If necessary, repeat cleaning operation to be sure all foreign substance is removed.

(4) After cleaning thoroughly, again rotate by hand and inspect for rough spots. The bearing should run free and show no indication of roughness. The double-row bearings are preloaded and have no end play. In fact, a new double-row bearing will seem to have considerable resistance to motion when revolved by hand.

c. **Oil Seals.** Check oil seals in end plates and replace if necessary. Oil seals that have been used should be lubricated with clean engine oil at time of assembling blower. New oil seals should be soaked for at least 60 minutes in clean OIL, lubricating, engine, SAE 10, before assembling.

d. **Rotor Lobes.** Inspect blower rotor lobes for smoothness. Inspect shaft splines and bearing surfaces for wear or burs.

e. **End Plates.** See that end plate finished faces are smooth and flat. See that finished ends of blower housing, which receive the end plates, are flat and free from burs. The end plates must set flat against the blower housing.

f. **Gears.** Check blower gears for wear.

**ORDNANCE MAINTENANCE—MEDIUM TRACTOR M1  
(ALLIS-CHALMERS HD-7W) ENGINE ACCESSORIES**

**g. Housing.** The rotors must revolve inside the blower housing with a specified clearance between the housing and rotor lobes. Inspect the inside of the housing to see that the surfaces are smooth. Inspect rotor lobes to see that lobes have not been in contact.

**51. ASSEMBLY OF BLOWER.**

**a. Equipment.**

HAMMER, 1/2-lb	SHELLAC
HAMMER, soft	TOOL SET, blower service
RIBBONS, feeler, as follows:	WRENCH, 7/16-in.
0.002-in. (2)	WRENCH, 5/8-in.
0.003-in. (2)	WRENCH, 3/4-in.
0.004-in. (2)	WRENCH, hexagon, 3/16-in.
0.005-in. (2)	WRENCH, open-end, 1/2-in.
SCREWDRIVER, 8-in.	WRENCH, socket, 1/2-in.

**b. Procedure (par. 6 a).** Refer to figure 71 for relative position of parts.

**(1) INSTALL OIL SEALS IN BLOWER END PLATES.**

PULLER, gear, and	WRENCH, 3/4-in.
COLLAR, seal assembly	

The oil seals should be assembled into the end plates with the flat face of seals flush with inner, finished face of plates. The sealing edge of leather must point toward rotor bearings. Proceed as follows:

(a) Support end plate between soft jaws in bench vise. Back out puller stud in puller plate as far as possible and push stud through bore for bearing in end plate from the outer face, resting puller plate against outer face of blower end plate.

(b) With sealing edge of leather toward bearings, slide seal over head of stud and start into bearing bore by hand.

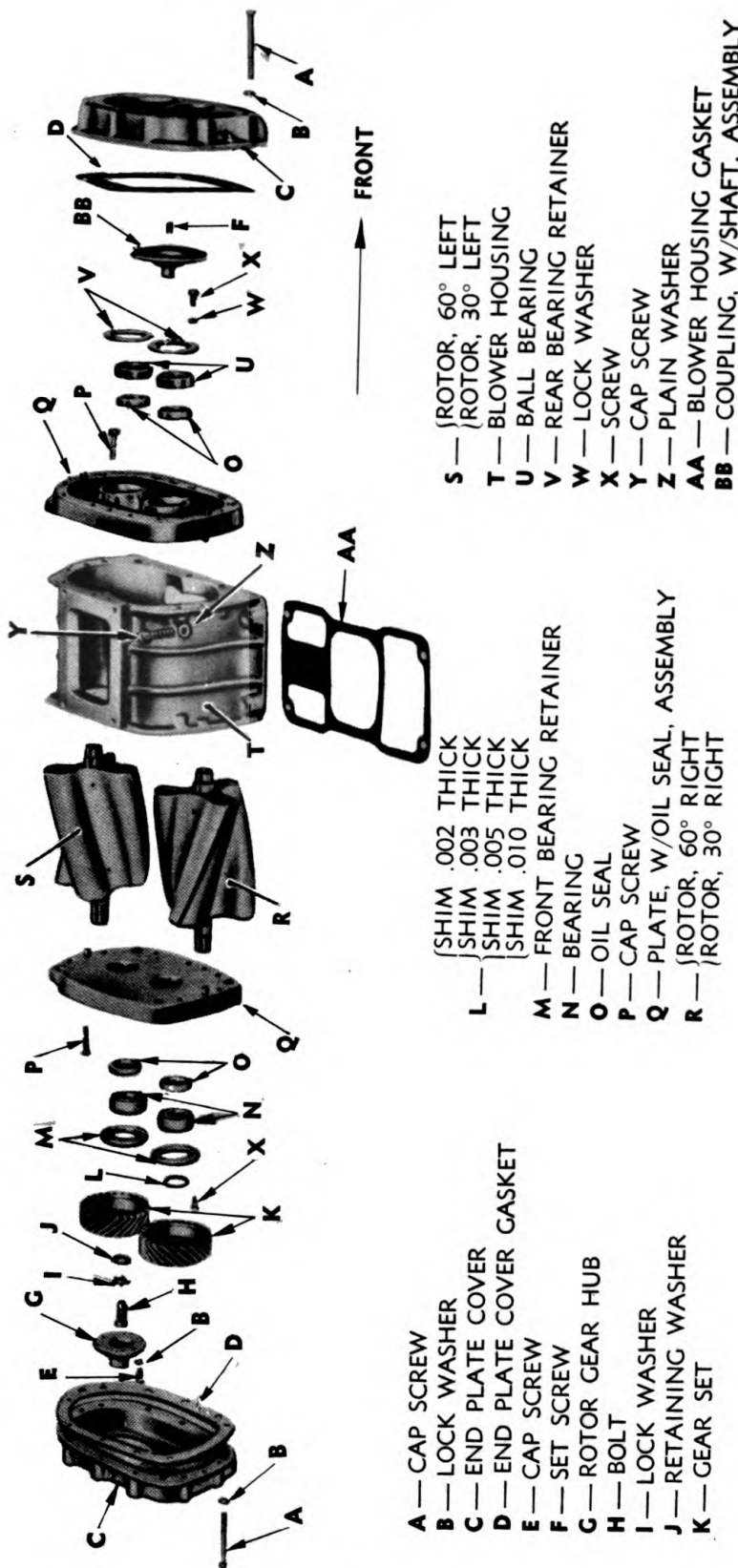
(c) Slip pressure plate over body next to head of puller stud. Turn puller stud clockwise (3/4-in. wrench), forcing oil seal into seat until pressure plate sets tight against inner face of blower end plate. Remove tool and install remainder of seals in same manner.

**(2) INSTALL BLOWER FRONT END PLATE.**

HAMMER, soft	SCREWDRIVER, 8-in.
--------------	--------------------

The top of the blower may be identified by the flange which extends the entire length of the housing and provides a rest on top of the cylinder block. The end plate is semicircular at the top (fig. 73) and is also

**BLOWER**



- A — CAP SCREW
- B — LOCK WASHER
- C — END PLATE COVER
- D — END PLATE COVER GASKET
- E — CAP SCREW
- F — SET SCREW
- G — ROTOR GEAR HUB
- H — BOLT
- I — LOCK WASHER
- J — RETAINING WASHER
- K — GEAR SET

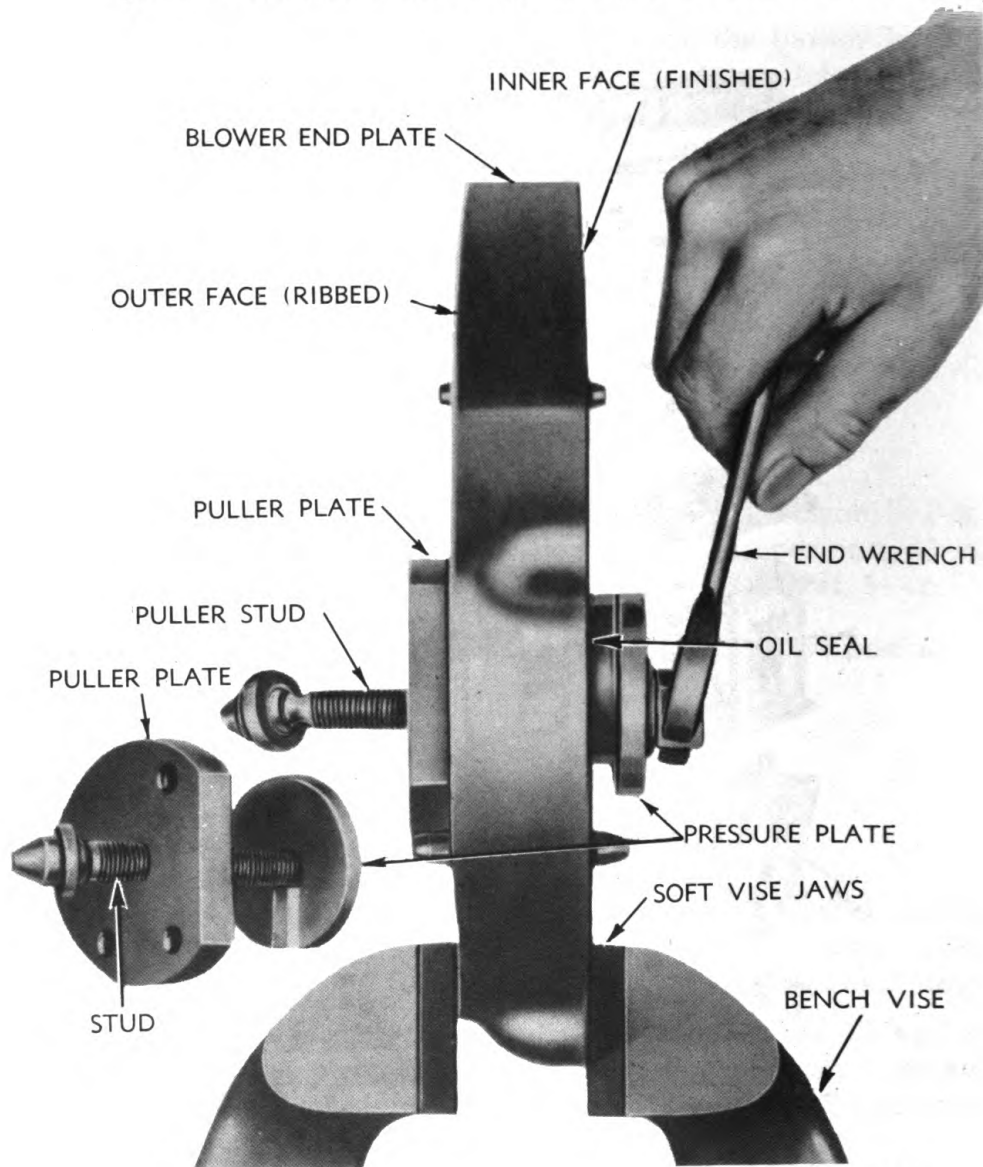
- L — { SHIM .002 THICK  
SHIM .003 THICK  
SHIM .005 THICK  
SHIM .010 THICK
- M — FRONT BEARING RETAINER
- N — BEARING
- O — OIL SEAL
- P — CAP SCREW
- Q — PLATE, W/OIL SEAL, ASSEMBLY
- R — { ROTOR, 60° RIGHT  
ROTOR, 30° RIGHT

- S — { ROTOR, 60° LEFT  
ROTOR, 30° LEFT
- T — BLOWER HOUSING
- U — BALL BEARING
- V — REAR BEARING RETAINER
- W — LOCK WASHER
- X — SCREW
- Y — CAP SCREW
- Z — PLAIN WASHER
- AA — BLOWER HOUSING GASKET
- BB — COUPLING, W/SHAFT, ASSEMBLY

RA PD 306139

**Figure 71 — Exploded View of Blower Assembly**

**ORDNANCE MAINTENANCE — MEDIUM TRACTOR M1  
(ALLIS-CHALMERS HD-7W) ENGINE ACCESSORIES**



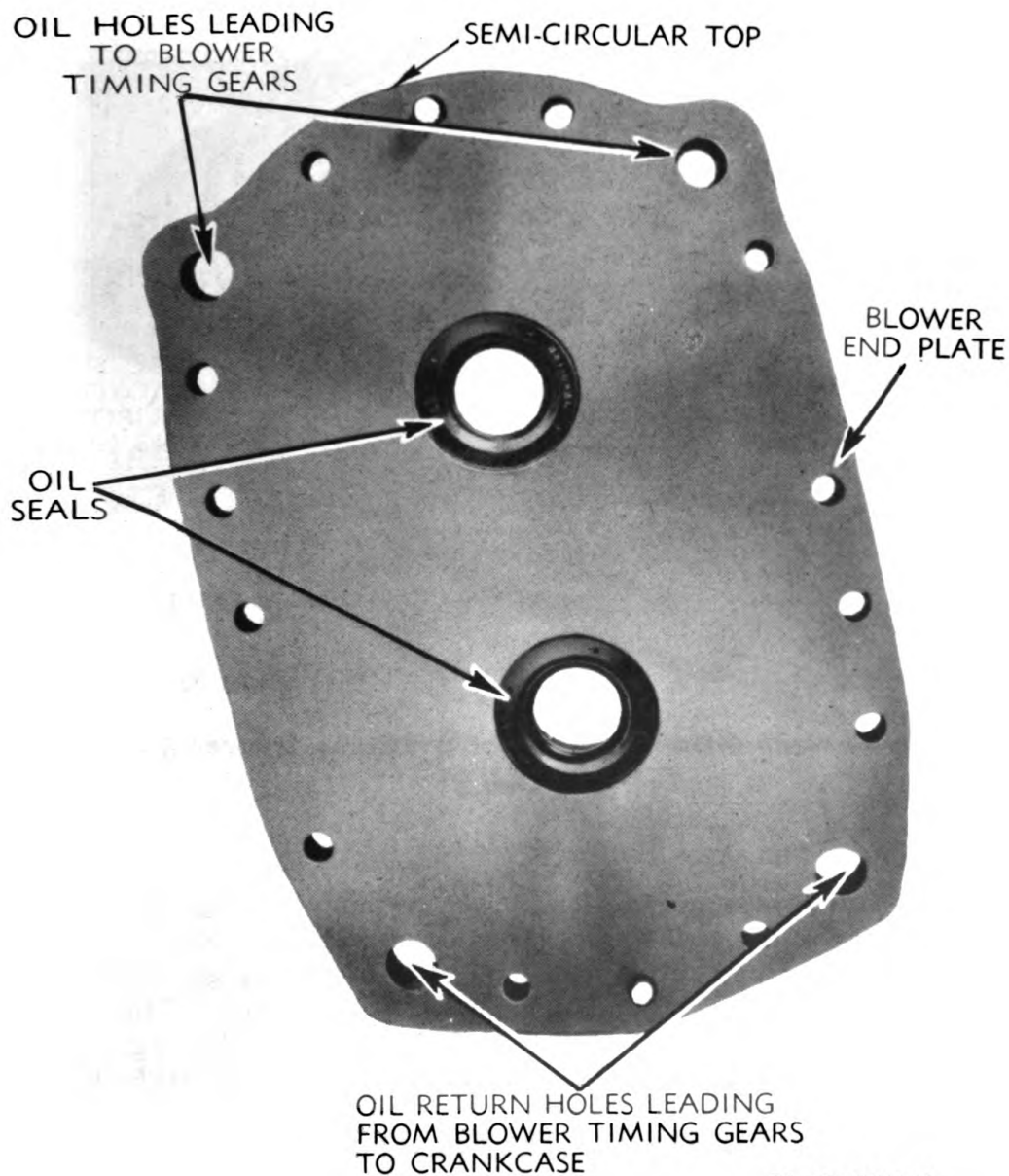
RA PD 306140

**Figure 72 — Installing Blower Oil Seals**

marked "TOP" on outer ribbed side. Blower end plates are interchangeable, front and rear, but the plate at the front end of the blower should be assembled to the blower housing first. The rear plate should be assembled after the rotors are in place. When viewing blower housing from inlet side, the end plate for the front will be assembled to the right-hand end of housing. With these identifications clearly in mind, attach end plate to front end of blower housing as follows:

(a) Start end plate dowels in dowel holes of blower housing. Tap end plate and dowels lightly with a soft hammer to fit end plate to

**BLOWER**



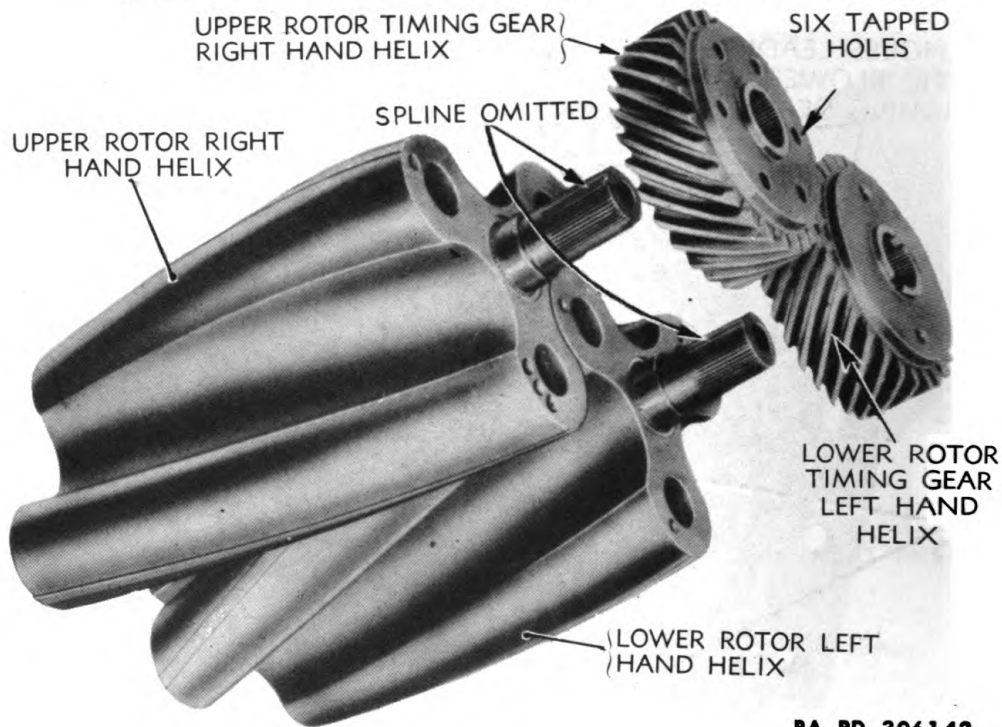
RA PD 306141

**Figure 73 – Blower End Plate and Oil Seal Locations**

housing. **NOTE:** No gaskets are used between end plates and housing; therefore mating surfaces must be perfectly flat and smooth.

(b) Secure end plate to housing with two fillister head screws (screwdriver). No lock washers. Inspect and see that dowels project  $\frac{3}{8}$  inch beyond outer face of end plate.

**ORDNANCE MAINTENANCE—MEDIUM TRACTOR M1  
(ALLIS-CHALMERS HD-7W) ENGINE ACCESSORIES**



RA PD 306142

**Figure 74 – Identification of Upper and Lower Blower Rotors and Gears**

**(3) CHECK RELATION OF PARTS.**

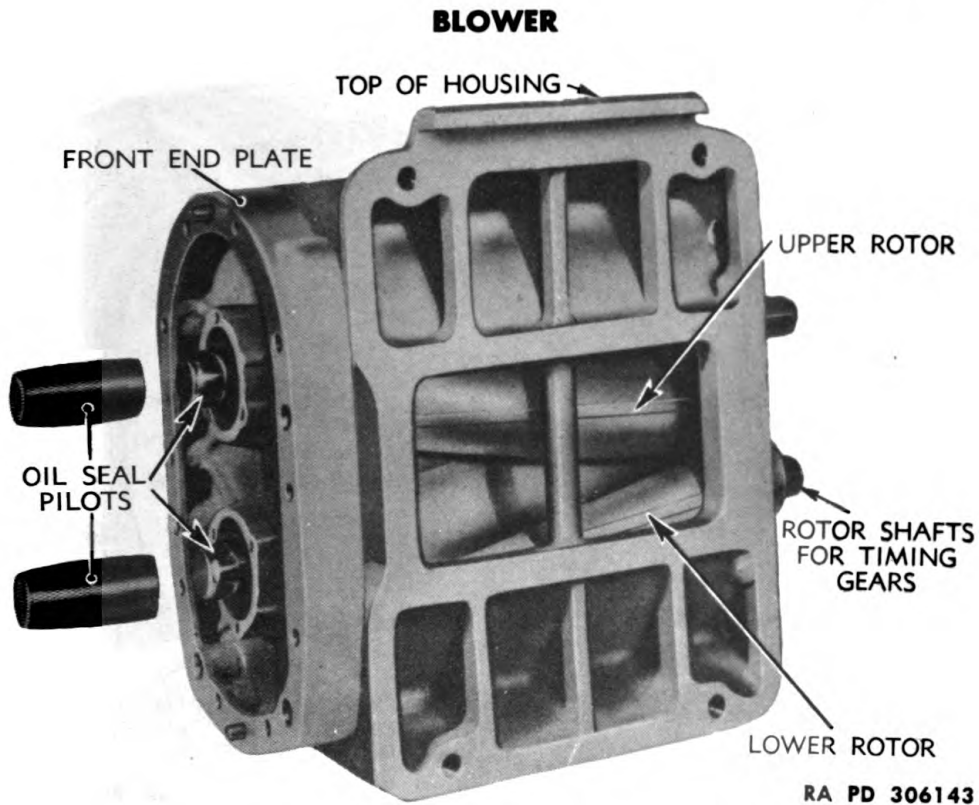
Before further assembly of the blower, certain checking operations are necessary to insure the proper relation of parts. The lobes on one of the blower rotors and the teeth on one of the timing gears form a right-hand helix, and on the mating parts a left-hand helix. The rotor with the right-hand helix must be used with the gear having right-hand helical teeth and vice versa. Rotor and gear with *right-hand* helices are the *upper units*. For convenience in blower timing, one spline is omitted on the drive end of each blower shaft with corresponding omissions in the gear hubs. Gears must be placed on the shafts with the omitted spline surfaces in registration. *Rotors must be assembled with the omitted spline surfaces toward top on both rotor shafts* (fig. 74). To avoid confusion when assembling, place the right-hand rotor and right-hand gear together on bench; likewise the left-hand rotor and gear. With above in mind, proceed with assembly.

**(4) ASSEMBLE ROTORS INTO HOUSING.**

**PILOTS, oil seal (2)**

Install one oil seal pilot over short end of each rotor shaft, and with rotors in mesh and omitted spline surfaces toward top of blower housing, slip rotors into housing. Remove oil seal pilots.





**Figure 75 – Assembling Blower Rotors into Housing Front End Plate**

**(5) INSTALL BLOWER REAR END PLATE.**

**HAMMER, soft**

**PILOTS, oil seal (2)**

With rotors installed into housing, install one oil seal pilot over long end of each rotor shaft. Install rear end plate over pilots, line up dowels with holes, and tap into place with soft hammer. Secure plate with two fillister head cap screws. *No lock washers.* Remove oil seal pilots. Inspect and see that dowels project  $\frac{3}{8}$  inch beyond outer face of end plate to accommodate end plate cover.

**(6) INSTALL ROTOR SHAFT FRONT BEARINGS.**

**HAMMER,  $\frac{1}{2}$ -lb**

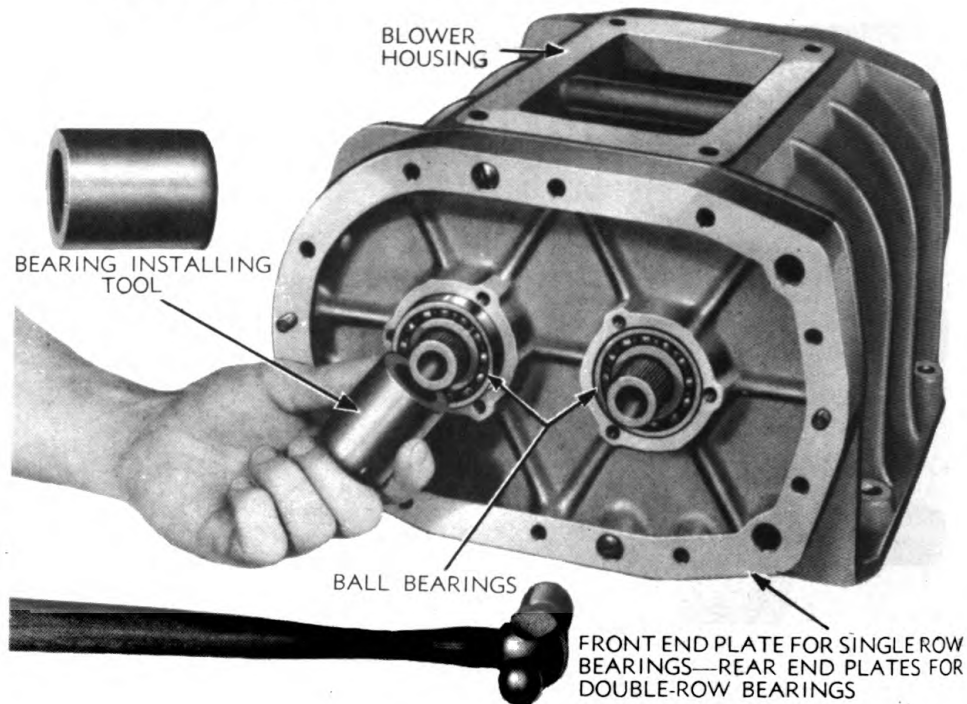
**WRENCH,  $\frac{7}{16}$ -in.**

**TOOL, bearing assembly**

Single-row ball bearings are used at the front end of the blower rotor shafts, and double-row ball bearings at the rear end. The bearing number is stamped on one face of the ball race only. *When assembled, the bearing markings are toward the outside face of the end plates.* Start the single-row bearings onto front end of rotor shafts. Using special bearing installing tool and hammer (fig. 76), tap bearings into seat in end plate. **NOTE:** Bearing retainers for single-row (front) bearings



**ORDNANCE MAINTENANCE—MEDIUM TRACTOR M1  
(ALLIS-CHALMERS HD-7W) ENGINE ACCESSORIES**



RA PD 41427

**Figure 76 — Installing Blower Rotor Shaft Bearings**

have  $1\frac{3}{16}$ -inch inside diameter; and for double-row (rear) bearings,  $1\frac{9}{16}$ -inch inside diameter. Install front bearing retainers with flange at inner diameter of retainer directed toward bearing. Secure with three  $\frac{1}{4}$ - x  $\frac{3}{4}$ -inch cap screws ( $\frac{7}{16}$ -in. wrench).

**(7) INSTALL ROTOR SHAFT REAR BEARINGS.**

**HAMMER,  $\frac{1}{2}$ -lb  
TOOL, bearing installing**

**WRENCH,  $\frac{7}{16}$ -in.**

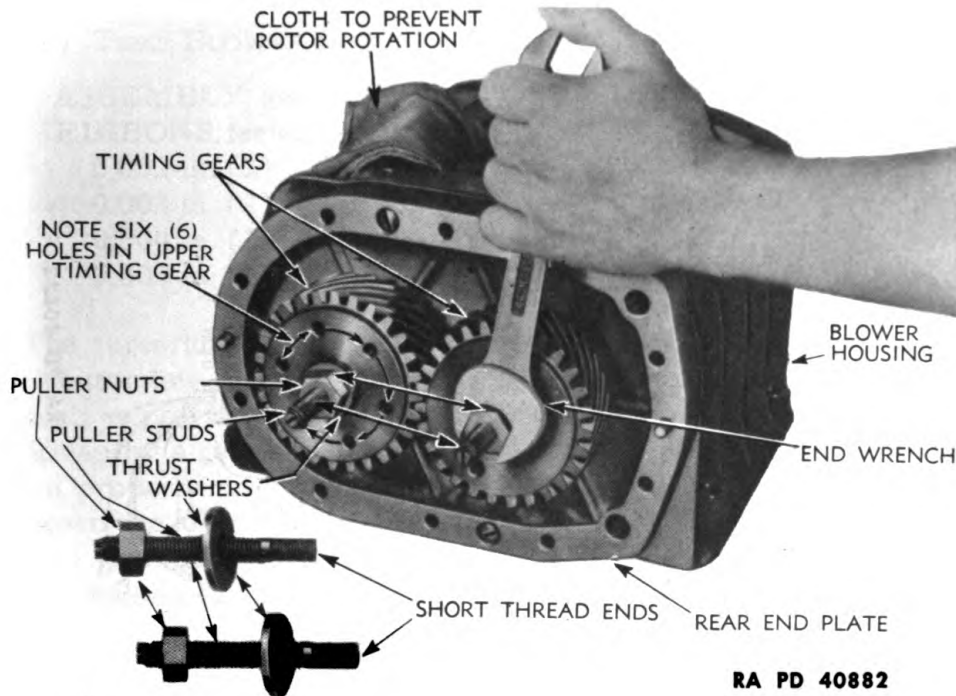
Install the rear rotor shaft bearings the same way the fronts were installed, except that flange at inner diameter of retainer is directed away from bearing. Secure retainers with three  $\frac{1}{4}$ - x  $\frac{3}{4}$ -inch cap screws in each retainer ( $\frac{7}{16}$ -in. wrench). **NOTE:** Rotor-to-end plate clearances should be checked at this time as explained in step (10) below.

**(8) INSTALL TIMING GEARS.**

**WRENCH,  $\frac{3}{4}$ -in.**

If blower is being reassembled, special puller stud shims were no doubt used back of one, or perhaps both, blower timing gears. They should be installed in their original positions before pressing gears onto shaft. If new gears and shafts are used, install without shims, and use

**BLOWER**



RA PD 40882

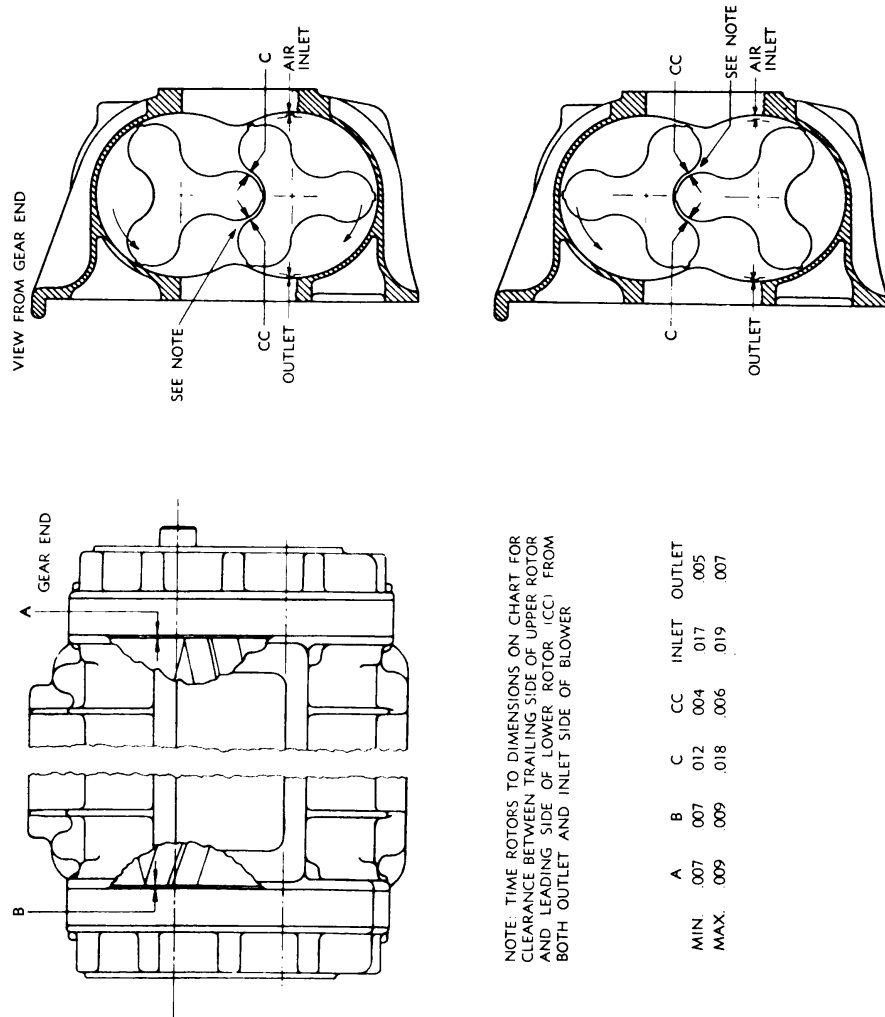
**Figure 77 – Pressing Timing Gears Onto Rotor Shafts**

shims later if necessary when timing rotors. Start both gears onto their shafts making sure of the following points. Both rotor shafts have the omitted spline surfaces toward top of blower. The timing gear with six tapped holes in web is located on the upper rotor shaft. The original shims are placed on their respective shafts. The omitted spline surfaces on the shafts and in the gear bore are matched (fig. 74). **NOTE:** A center punch mark is indented into end of shaft under omitted spline surfaces to assist in locating gears properly. Apply some lubricating oil at shaft serrations and proceed to press gears onto shafts as follows:

(a) Install short thread ends of puller studs into ends of shafts, with thrust washer and puller nut press the gears (keeping one gear even with the other) into position tight against bearing faces.

(b) Remove studs used to pull gears into place, and install special lock washer next to head of each cap screw. Be sure that retaining washer at upper gear has pierced lugs to engage slots in gear hub; then the ears of the lock washer will engage the slots in the retaining washer. Place cloth between rotor lobes to prevent rotation and draw cap screw tight. For lower gear lock, install special lock washer and fuel pump coupling disk on cap screw so lock tangs of disk engage slot in gear hub and lock washer ear engages slot in coupling disk. Draw cap screw reasonably tight, but not enough to bend fuel pump coupling disk. Remove cloth.

ORDNANCE MAINTENANCE—MEDIUM TRACTOR M1  
(ALLIS-CHALMERS HD-7W) ENGINE ACCESSORIES



RA PD 40883

Figure 78 — Diagram of Rotor Clearances

**BLOWER****(9) TIME BLOWER ROTORS.**

ASSEMBLY, gear pulley

WRENCH,  $\frac{3}{4}$ -in.

RIBBONS, feeler, as follows:

0.002-in. (2)

0.003-in. (2)

0.004 in. (2)

0.005-in. (2)

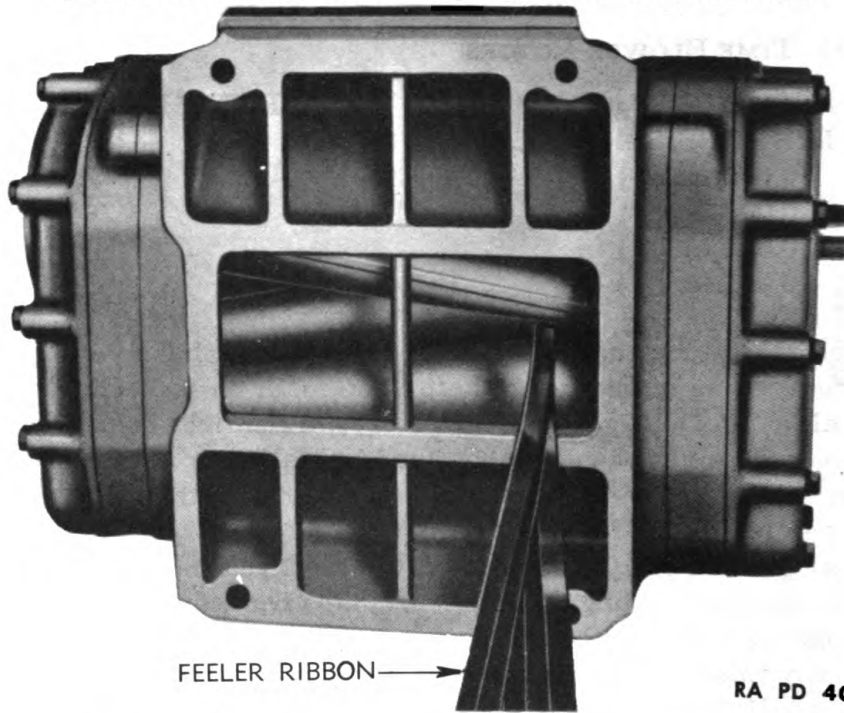
The three lobes on each blower rotor form a helix with respect to the center line of the rotor shaft. The teeth on the timing gears are helical; as previously stated, the rotor with the right-hand helical lobes is driven by a gear having right-hand helical teeth. The blower rotors, when properly positioned in the housing, run with a slight clearance between the lobes. This clearance may be varied by moving one of the helical gears slightly in or out on the shaft relative to the other gear and is fixed by adding or removing shims between the gear hubs and the bearing faces just behind the gears. This positioning of the gears to obtain proper clearance between the rotor lobes is called "blower timing." If the motion is considered from the gear end, moving the *upper* rotor gear *out* advances the *upper* rotor slightly *counterclockwise* in relation to the lower rotor. Moving the *lower* gear *out* advances the lower rotor *clockwise* in relation to the upper rotor. The clearance should be the same between the leading and trailing sides of individual rotor lobes with their mating lobes. Proceed as follows to check rotor lobe clearance:

(a) The clearance between rotor lobes may be checked with various thickness feeler ribbons  $\frac{1}{2}$  inch wide. When measuring clearances more than 0.005-inch laminated feelers made up of 0.002-inch, 0.003-inch, 0.004-inch, or 0.005-inch are more practical and suitable than one single thick feeler. The measurement of clearance between rotor lobes must be taken from both the inlet and the outlet side of the blower.

(b) Time rotors have from 0.004-inch to 0.006-inch clearance between the *trailing side* of the *upper* rotor and the *leading side* of the *lower* rotor, "CC", measured from both the inlet and outlet sides of blower (fig. 80). Then check clearance between leading side of upper and trailing side of lower rotors, "C", for a minimum of 0.012 inch (fig. 79). The 0.012-inch clearance should be held as an absolute minimum, and this should be closely adhered to when using new rotors. Measure clearance close to each end and at center of rotors.

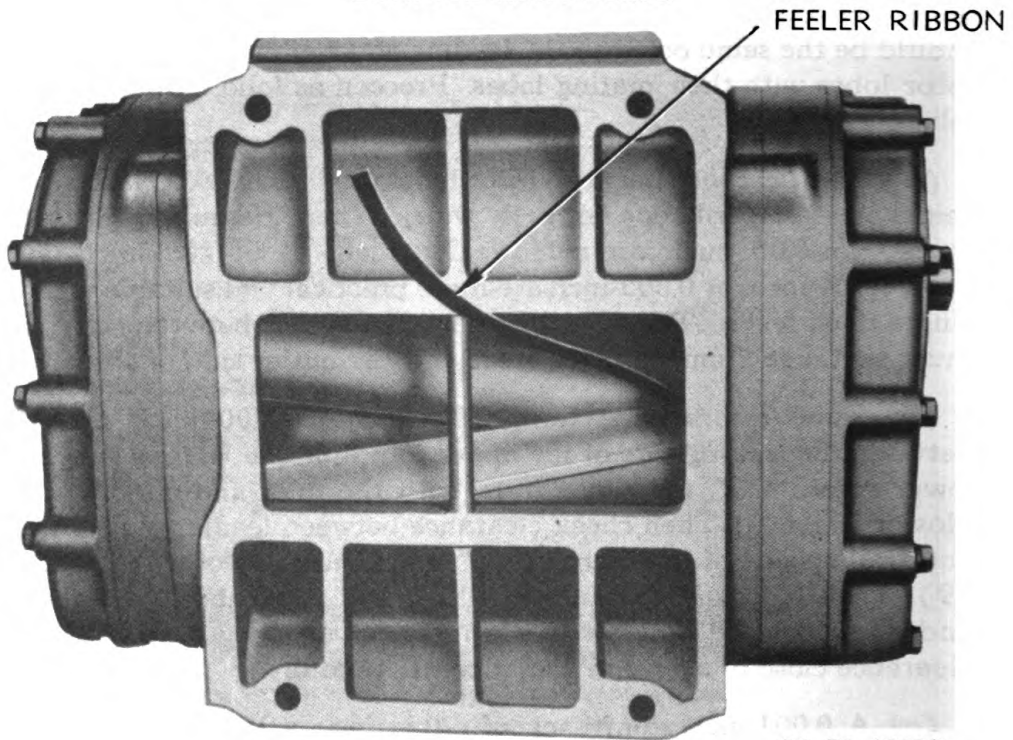
(c) A 0.001-inch shim back of either gear will revolve that rotor 0.001-inch. Having determined the amount and direction one rotor must be revolved to produce the proper clearance (same as thickness of shims required), add shims back of either the upper or lower gear

**ORDNANCE MAINTENANCE — MEDIUM TRACTOR M1  
(ALLIS-CHALMERS HD-7W) ENGINE ACCESSORIES**



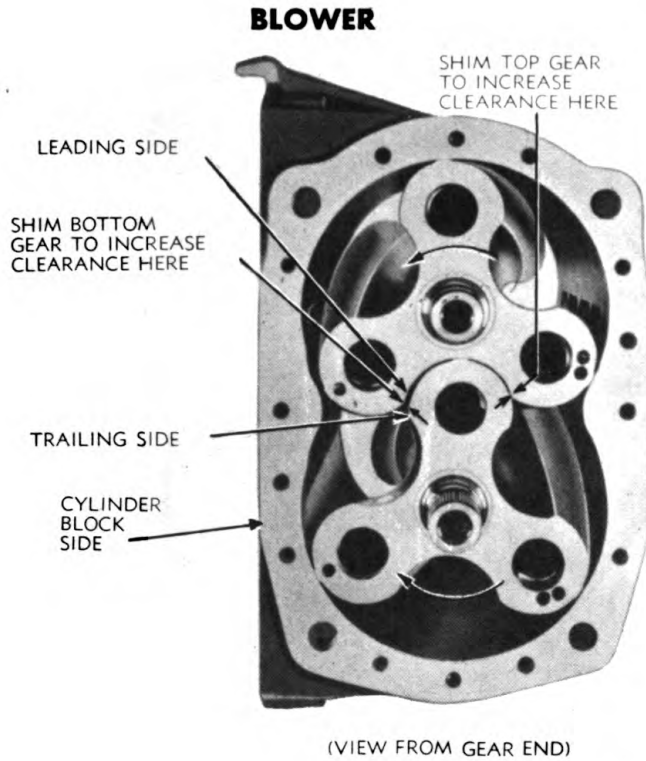
RA PD 40884

**Figure 79 — Method of Checking Clearance "C"  
Between Rotor Lobes**



RA PD 40885

**Figure 80 — Method of Checking Clearance "CC"  
Between Rotor Lobes**



RA PD 40886

**Figure 81 — Proper Location of Shims to Correct Rotor Clearance**

to produce the desired result. When a change in shims is required, both gears must be pulled from the rotors (par. 48 b (5)). Install the required thickness of shims back of the proper gear, and again press gears tightly into place. Recheck clearances between rotor lobes.

**(10) CHECK ROTOR END CLEARANCE.**

**RIBBONS**, feeler, as follows:

- 0.002-in. (2)
- 0.003-in. (2)
- 0.004-in. (2)
- 0.005-in. (2)

Insert feeler ribbons between ends of rotors and end plates. This operation must be performed at the ends of each lobe, making 12 measurements in all. Refer to clearances (par. 55). If end clearances are under or beyond limits, use shims to increase clearance and machine off housing flange to decrease clearance.

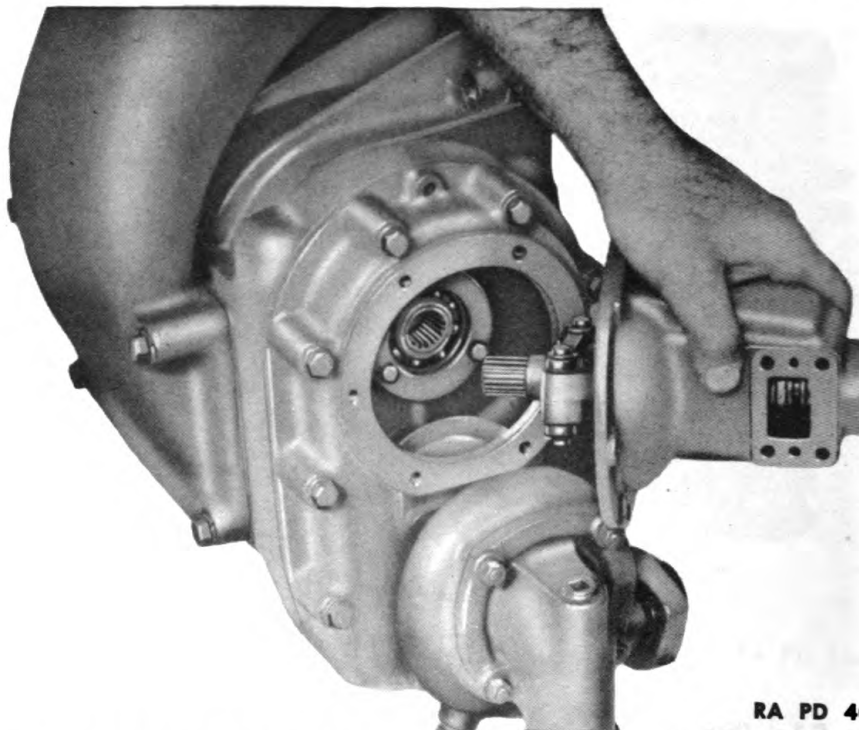
**(11) INSTALL BLOWER GEAR DRIVE HUB.**

**WRENCH**, ½-in.

Attach gear drive hub to upper blower timing gear with six  $\frac{5}{16}$ - x  $\frac{3}{4}$ -inch cap screws.



**ORDNANCE MAINTENANCE—MEDIUM TRACTOR M1  
(ALLIS-CHALMERS HD-7W) ENGINE ACCESSORIES**



RA PD 40783

**Figure 82 — Installing Governor Weight Housing on Blower**

**(12) INSTALL WATER PUMP DRIVE.**

**WRENCH, hexagon,  $\frac{3}{16}$ -in.**

Insert splined end of water pump intermediate shaft and coupling into front end of lower rotor shaft. Hold coupling tight against end of shaft and tighten expander screw securely.

**(13) INSTALL END PLATE COVERS.**

**WRENCH,  $\frac{1}{2}$ -in.**

Shellack gaskets to the end plate covers and attach one to each blower end plate with 10  $\frac{5}{16}$ - x  $3\frac{1}{2}$ -inch cap screws.

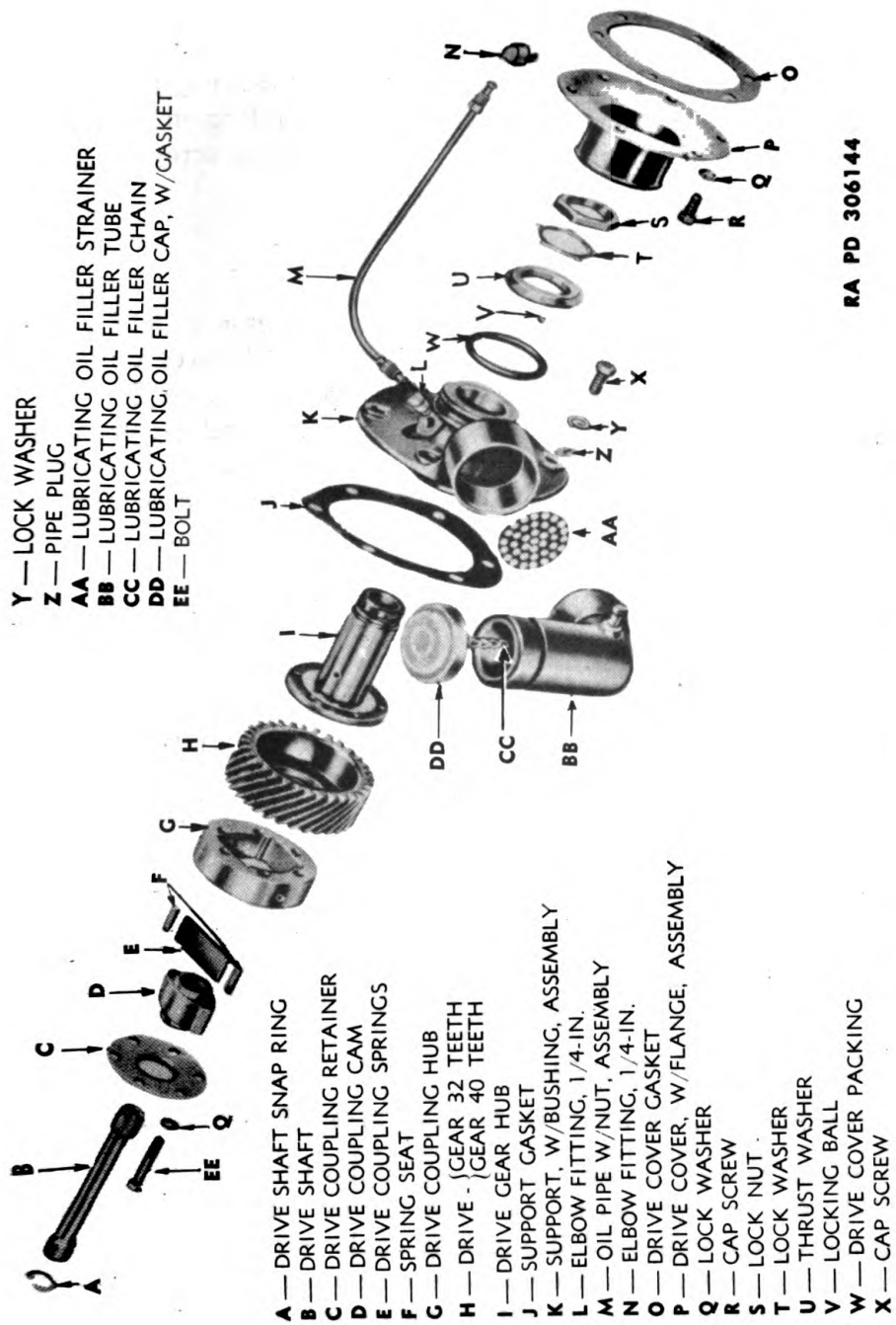
**(14) INSTALL FUEL PUMP ON BLOWER.**

**WRENCH,  $\frac{1}{2}$ -in.**

Install a new gasket on pump flange. Set pump assembly up against the blower rear end plate cover, being sure that the coupling fork engages the slots in the coupling disk driving plate. The fork will engage the disk when the pump flange sets tight up against the blower end plate cover. Check to be sure that the side of the pump cover marked "IN" is nearest the cylinder block; then secure pump to blower with three  $\frac{5}{16}$ - x  $\frac{3}{4}$ -inch cap screws.



**BLOWER**



- Y — LOCK WASHER
- Z — PIPE PLUG
- AA — LUBRICATING OIL FILLER STRAINER
- BB — LUBRICATING OIL FILLER TUBE
- CC — LUBRICATING OIL FILLER CHAIN
- DD — LUBRICATING OIL FILLER CAP, W/GASKET
- EE — BOLT

- A — DRIVE SHAFT SNAP RING
- B — DRIVE SHAFT
- C — DRIVE COUPLING RETAINER
- D — DRIVE COUPLING CAM
- E — DRIVE COUPLING SPRINGS
- F — SPRING SEAT
- G — DRIVE COUPLING HUB
- H — DRIVE GEAR HUB
- I — DRIVE GEAR HUB
- J — SUPPORT GASKET
- K — SUPPORT, W/BUSHING, ASSEMBLY
- L — ELBOW FITTING, 1/4-IN.
- M — OIL PIPE W/NUT, ASSEMBLY
- N — ELBOW FITTING, 1/4-IN.
- O — DRIVE COVER GASKET
- P — DRIVE COVER, W/FLANGE, ASSEMBLY
- Q — LOCK WASHER
- R — CAP SCREW
- S — LOCK NUT
- T — LOCK WASHER
- U — THRUST WASHER
- V — LOCKING BALL
- W — DRIVE COVER PACKING
- X — CAP SCREW

RA PD 306144

**Figure 83 — Exploded View of Blower Drive Assembly**

**ORDNANCE MAINTENANCE—MEDIUM TRACTOR M1  
(ALLIS-CHALMERS HD-7W) ENGINE ACCESSORIES**

**(15) INSTALL WATER PUMP ON BLOWER.**

WRENCH, open-end, 1/2-in.

Install new gasket on water pump flange. With intake elbow of pump pointing towards bottom of blower, place water pump in position at front end of blower lower rotor shaft, with driving lugs on pump shaft coupling registering with driving lugs of coupling on blower rotor shaft. Secure to blower with three 5/16- x 7/8-inch cap screws.

**(16) INSTALL GOVERNOR WEIGHT HOUSING.**

WRENCH, 1/2-in.

Install new gasket on bolting flange of governor weight housing. Insert governor shaft into splines at front end of blower upper rotor shaft. Secure to blower end plate cover with six 5/16- x 7/8-inch cap screws. NOTE: After blower has been inspected and repaired, cover all openings with oil paper and fasten paper on to keep any dirt out until installation. The blower *must be clean* and free of dirt when installed.

**52. ASSEMBLY OF BLOWER DRIVE ASSEMBLY.**

**a. Equipment.**

BAR, pry

HAMMER, 1/2-lb

HAMMER, soft

PLIERS, long-nose

RIBBONS, feeler, as follows:

0.002-in.

0.003-in.

0.004-in.

0.005-in.

SHELLAC

TOOL, spring spreader

WRENCH, 1/2-in.

WRENCH, 1 7/8-in.

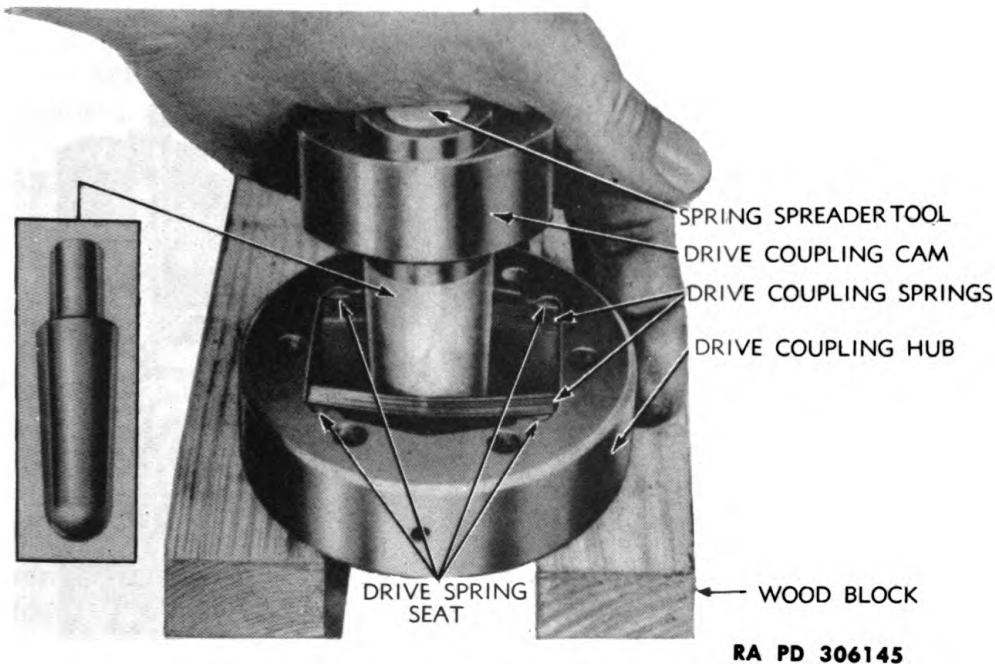
**b. Procedure (refer to fig. 83).**

**(1) ASSEMBLE FLEXIBLE DRIVE COUPLING SPRINGS AND CAM.**

(a) Place drive coupling hub spring support on two blocks of wood (fig. 84). Grease springs to hold the leaves together, and slide two spring packs, consisting of 21 springs each, into drive coupling hub with a spring seat at both ends of each spring pack. Locate spring seats so rounded surface will set in corresponding rounded groove in hub.

(b) Slide drive coupling cam over end of spring spreader tool; then insert tool between spring packs until lower edge of cam rests on blocks beneath spring support.

**BLOWER**



RA PD 306145

**Figure 84 – Installing Blower Drive Coupling Cam**

**(2) INSTALL DRIVE GEAR HUB.**

(a) Spread some engine oil on outside diameter of drive gear hub and slide drive gear hub into bearing from rear of bearing support (fig. 68).

(b) Install locking ball into gear hub, and slide thrust washer in place over ball, with large diameter flat face of washer next to thrust face of bearing.

**(3) INSTALL NUT ON HUB.**

BAR, pry  
HAMMER, 1/2-lb

WRENCH, 1 7/8-in.

Prevent hub from turning by inserting bolts in two holes in hub and holding with pry bar. Install a new lock washer next to thrust washer and tighten lock nut (1 7/8-in. wrench). Bend ears of lock washer over nut to prevent it from loosening (hammer).

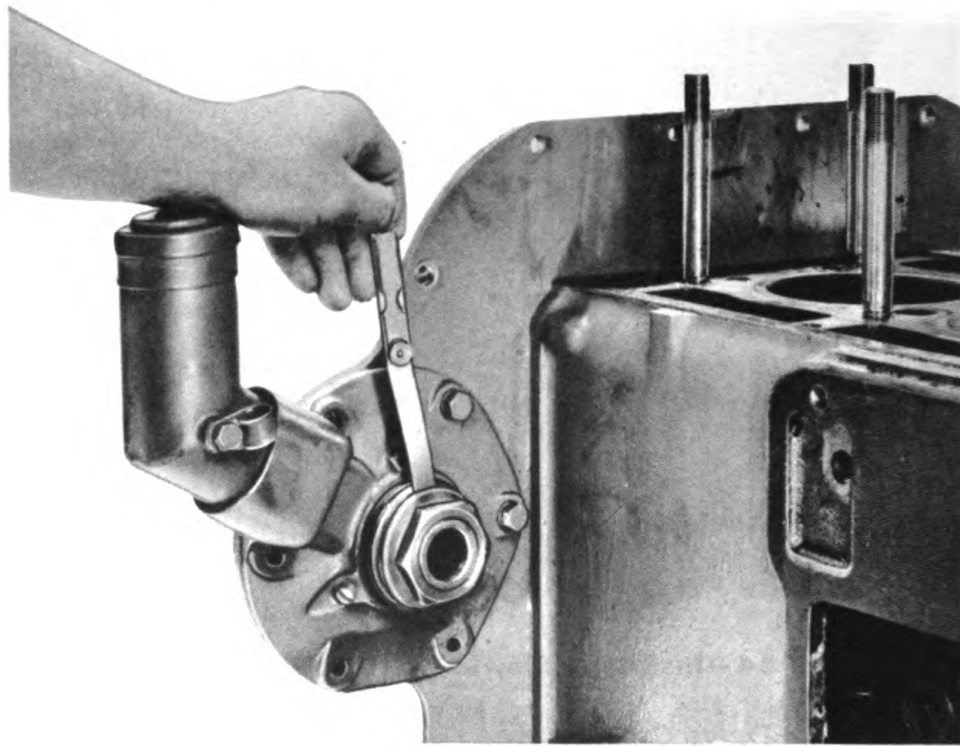
**(4) INSTALL DRIVE GEAR AND COUPLING RETAINER.**

HAMMER, soft

WRENCH, 1/2-in.

Tap gear into place on hub (soft hammer) with flat finished face of gear away from bearing support. The outer end of the cam is counter-bored about 1/4 inch on the inside diameter. With this counterbore away from face of gear, place the coupling retainer against the outer

**ORDNANCE MAINTENANCE—MEDIUM TRACTOR M1  
(ALLIS-CHALMERS HD-7W) ENGINE ACCESSORIES**



RA PD 17824

**Figure 85 — Measuring Clearance of Blower Drive Assembly**

face of cooling hub with flange at center of retainer pointing away from coupling hub. Secure this assembly with six  $\frac{5}{16}$ - x 2-inch cap screws ( $\frac{1}{2}$ -in. wrench).

**(5) INSTALL DRIVE COVER PACKING AND GASKET.**

Install blower drive cover packing into groove provided at front end of bearing support. Affix gasket to finished face of bolting flange on bearing support (fig. 69). Use a new packing gasket if old one is not serviceable.

**(6) CHECK END CLEARANCE AND INSTALL SNAP RING.**

**PLIERS, long-nose**

**RIBBONS, feeler, as follows:**

0.002-in.

0.003-in.

0.004-in.

0.005-in.

**(a)** Apply some engine oil between the thrust washer and support bushing thrust surface. Insert feeler ribbons to measure clearance (fig. 85). This clearance should be from 0.003-inch to 0.006-inch.

**BLOWER**

(b) Install drive shaft ring in groove in drive coupling cam where it will contact rear end of blower drive shaft when shaft is installed (pliers).

**53. INSTALLATION OF BLOWER DRIVE ASSEMBLY.**

**a. Equipment.**

WRENCH,  $\frac{9}{16}$ -in.

**b. Procedure.**

**(1) INSTALL BLOWER DRIVE ASSEMBLY IN HOUSING.**

WRENCH,  $\frac{9}{16}$ -in.

Place assembly in position in rear cylinder end plate and flywheel housing so that oil filler pipe points up. Install two  $\frac{3}{8}$ - x  $1\frac{3}{16}$ -inch cap screws in the two tapped holes in cylinder block end plate to secure blower drive gear support to end plate. Partially tighten cap screws.

**(2) INSTALL BLOWER DRIVE SHAFT.**

Insert end of shaft with shortest splined end through drive gear hub and into splines in drive coupling cam so end contacts snap ring in cam. Do not install cover at rear of flywheel housing until blower has been installed.

**54. INSTALLATION OF BLOWER.**

**a. Equipment.**

CEMENT, gasket, non-hardening

PLIERS

SCREWDRIVER, 8-in.

SHELLAC

SOAP

WRENCH,  $\frac{9}{16}$ -in. (2)

WRENCH, open-end,  $\frac{7}{16}$ -in.

(2)

WRENCH, open-end,  $\frac{5}{8}$ -in.

WRENCH, open-end,  $\frac{3}{4}$ -in.

(2)

WRENCH, open-end,  $\frac{7}{8}$ -in.

WRENCH, socket,  $\frac{7}{16}$ -in.

WRENCH, socket,  $\frac{1}{2}$ -in.,

with extension

WRENCH, socket,  $\frac{5}{8}$ -in.,

with extension

**b. Procedure.**

**(1) PREPARE TO INSTALL BLOWER ON ENGINE.**

Before attaching to engine, cement a new gasket to cylinder block, using non-hardening gasket cement on block side only. Apply some soap to the drive cover packing in groove of blower drive gear support. Slip water pump outlet packing flange (with flat face towards pump) and new outlet packing ring onto pump discharge pipe and hose clamp and seal over pump inlet.

**ORDNANCE MAINTENANCE — MEDIUM TRACTOR M1  
(ALLIS-CHALMERS HD-7W) ENGINE ACCESSORIES****(2) ATTACH BLOWER ASSEMBLY TO ENGINE.****WRENCH**, socket,  $\frac{5}{8}$ -in., with extension

With blower drive shaft in place in drive coupling cam, slide blower into place so splined end of blower drive shaft engages internal splines of blower gear drive hub (it may be necessary to rotate rotors through blower opening), and blower drive cover slips over drive cover packing in blower drive gear support. Attach blower to cylinder block with four  $\frac{7}{16}$ - x 2-inch cap screws with plain washers. **CAUTION:** Extreme care must be taken not to damage blower-to-engine gasket or dislodge snap ring at rear of blower drive shaft while installing blower.

**(3) INSTALL BLOWER DRIVE COVER.****WRENCH**,  $\frac{9}{16}$ -in. (2)

Install cover at rear of flywheel housing with four  $\frac{3}{8}$ - x 5-inch bolts and two  $\frac{3}{8}$ - x 1-inch cap screws. Tighten cap screws holding drive gear support to cylinder end plate.

**(4) INSTALL OIL LINE AND OIL GAGE TUBE AND ROD.****WRENCH**, open-end,  $\frac{7}{16}$ -in.**WRENCH**, open-end,  $\frac{7}{8}$ -in.**WRENCH**, open-end,  $\frac{3}{4}$ -in.

Connect blower drive bearing oil pipe to fittings on blower drive and in cylinder block ( $\frac{7}{16}$ -in. wrench). Insert upper end of oil gage rod tube through clip on oil filler pipe and connect lower end to fitting in base of cylinder block.

**(5) CONNECT WATER PUMP.****SCREWDRIVER**, 8-in.**WRENCH**, socket,  $\frac{1}{2}$ -in.,  
with extension

Connect water pump discharge packing flange to cylinder block with two  $\frac{5}{16}$ - x  $1\frac{1}{8}$ -inch cap screws with lock washers ( $\frac{1}{2}$ -in. wrench). Slip seal and hose clamp down to connect water pump to oil cooler and tighten clamp (screwdriver).

**(6) INSTALL AIR INLET HOUSING.****WRENCH**,  $\frac{9}{16}$ -in.

Insert four  $\frac{3}{8}$ - x  $2\frac{1}{4}$ -inch cap screws through holes in air inlet housing. Install gasket and screen assembly on these bolts, place housing in position, and secure it to blower over blower opening.

**(7) INSTALL AIR INLET ELBOW.****SCREWDRIVER**, 8-in.**WRENCH**,  $\frac{9}{16}$ -in.

**BLOWER**

Shellack gasket to flange of air inlet elbow. Set elbow on blower air inlet housing with end of elbow pointing toward connecting tube to air cleaner. Secure to housing with four 3/8- x 1-inch cap screws. Connect hose and tighten clamp (screwdriver).

**(8) CONNECT FUEL PUMP LINES.**

WRENCH, open-end, 3/4-in.                      WRENCH, open-end, 7/8-in.

Connect fuel line leading from first stage fuel filter assembly to intake fitting (closest to cylinder block) on fuel pump and discharge line to second stage fuel filter to discharge side of pump (3/4- and 7/8-in. wrenches).

**(9) INSTALL GOVERNOR CONTROL HOUSING AND CONNECT CONTROLS.**

See "Installation of Governor", paragraph 187, for installation of this unit and connection of controls.

**(10) INSTALL RIGHT FRONT FENDER.**

WRENCH, 3/4-in. (2)

Place fender on tractor and insert one bolt and three cap screws and tighten.

**(11) INSTALL HOOD AND PRECLEANER.**

WRENCH, 7/16-in. (2)                      WRENCH, open-end, 9/16-in.

Set hood in position. Force hold-down strap bolts into clips and tighten (9/16-in. wrench). Set precleaner on tube at top of air cleaner and tighten clamp at base (two 7/16-in. wrenches).

**55. FITS AND TOLERANCES.**

a. Specifications for blower and blower drive assembly are as follows:

**(1) BLOWER DRIVE GEAR ASSEMBLY.**

(a) Diameter—inside—support bushings .....	1.6260-1.6265 in.
Diameter—outside—hub .....	1.6250-1.6245 in.
Clearance—annular—bushings with hub.....	0.001-0.002 in.
Maximum clearance allowable.....	0.005 in.

(b) Clearance—end bushings with hub.....	0.003-0.006 in.
Maximum clearance allowable.....	0.010 in.

**(2) BLOWER ROTORS.**

(a) Clearance "CC" between rotor lobes.....	0.004-0.006 in.
Clearance "C" between rotor lobes.....	0.012-0.018 in.



**TM 9-1783B**  
**55-56**

**ORDNANCE MAINTENANCE — MEDIUM TRACTOR M1**  
**(ALLIS-CHALMERS HD-7W) ENGINE ACCESSORIES**

- (b) Clearance "A" between gear end of rotors and end plate .....0.007-0.009 in.  
Clearance "B" between front end of rotors and end plate .....0.007-0.009 in.
- (c) Clearance between rotors and housing—inlet side .....0.017-0.019 in.  
Clearance between rotors and housing—outlet side.....0.005-0.007 in.
- (3) **BLOWER TIMING GEARS.**  
(a) Maximum allowable backlash on timing gears.....0.004 in.

**56. SPECIAL TOOLS.**

- a. Special tools required for repair work on blower are as follows:

**SPREADER**, blower drive gear flexible coupling spring

**TOOL SET**, blower service, includes:  
**ASSEMBLY**, gear puller  
**COLLAR**, oil seal assembly  
**PILOTS**, oil seal  
**REMOVER**, bearing and oil seal  
**STUDS**, rotor gear assembly  
**TOOL**, bearing assembly

**CHAPTER 4**  
**FUEL AND AIR SYSTEM**

**Section VIII**

**AIR PRECLEANER**

	Paragraph
Description .....	57
Removal from tractor.....	58
Maintenance .....	59
Installation .....	60

**57. DESCRIPTION.**

a. The precleaner is of the cyclone type. Approximately 85 per cent of the dirt entering with the air is removed before the air reaches the oil bath air cleaner. An eyeglass makes it easy for the operator to observe the quantity of dirt in the shell so it can be emptied at the proper time. Air is drawn through the precleaner by the blower. Fins where the air enters the precleaner give it a swirling motion which throws the heavy particles of dirt out of the air and deposits them in the shell. A gasket under the cap seals against entrance of air except through the fins. *Do not operate the tractor without the precleaner in place.*

**58. REMOVAL FROM TRACTOR.**

**a. Equipment.**

WRENCH,  $\frac{7}{16}$ -in. (2)

**b. Procedure.**

Loosen clamp bolt at base of precleaner and lift assembly off pre-cleaner tube (fig. 86).

**59. MAINTENANCE.**

a. The precleaner must be emptied daily, or oftener if necessary. Dirt must not be allowed to become level with top of eyeglass.

(1) Remove wing nut from the top of precleaner and remove shell.

(2) Shake dirt from shell.

(3) Wipe cap gasket and reassemble. Replace gasket if not in good condition.

**TM 9-1783B**  
**59-60**

**ORDNANCE MAINTENANCE — MEDIUM TRACTOR M1  
(ALLIS-CHALMERS HD-7W) ENGINE ACCESSORIES**

(4) Tighten wing nut with fingers. CAUTION: Do not use a wrench.

**60. INSTALLATION.**

**a. Equipment.**

WRENCH,  $\frac{7}{16}$ -in. (2)

**b. Procedure.**

Place precleaner assembly in position over tube, pushing it down as far as possible. Tighten clamp bolt.

**CHAPTER 4**  
**FUEL AND AIR SYSTEM**

**Section IX**

**AIR CLEANER (OIL BATH)**

	<b>Paragraph</b>
Description .....	61
Preventive maintenance .....	62
Removal from tractor.....	63
Cleaning .....	64
Installation .....	65
Air inlet elbow.....	66

**61. DESCRIPTION.**

a. A United oil bath air cleaner, Model CT 11-11065, is used on this tractor and is mounted under the tractor cowl. A removable oil cup with a baffle, at the lower end of the air cleaner assembly, is filled to a specified level with OIL, engine, crankcase grade. As the air is drawn through the cleaner, a portion of this oil is whipped up into screen mats in the main body of the cleaner. Dust in the air collects on these oily screen mats as the air is drawn through them, and the oil, dripping back into the cup from the screen mats, carries this dirt with it to deposit it in the cup. Thus only clean air reaches the engine. The cup must be removed periodically and the accumulation removed. A broken hose, loose clamps, or a leak of any kind between the air cleaner and the blower will defeat the purpose of the cleaner. Therefore, care should be taken to see that all connections are tight.

**62. PREVENTIVE MAINTENANCE.**

a. The life of the engine depends largely on the care given the oil bath cleaner. Daily attention is necessary, and in extremely dusty or sandy operating conditions, more frequent attention is often necessary. The oil level must be maintained and the dirt cleaned from the cup at regular intervals. If not serviced regularly, the dirt builds up in the cup and on the baffle in the cup until the openings in the baffle for return of oil and dirt are closed and the efficiency of the cleaner is impaired. Dirt passing through into the blower and engine will result in rapid wear on blower, cylinder liners, and other operating parts. It is good practice to swab out the lower end of the central air passage in the cleaner each time the cup is removed and cleaned. Oil-mixed dust which sometimes collects in this pipe will restrict the air supply to the cylinders if not removed. Use engine oil (not Diesel fuel) in

**TM 9-1783B**  
**62-65**

**ORDNANCE MAINTENANCE — MEDIUM TRACTOR M1**  
**(ALLIS-CHALMERS HD-7W) ENGINE ACCESSORIES**

the air cleaner. Use viscosity shown on lubrication chart for prevailing temperature. *This is important.* If air cleaner is damaged, replace it *immediately.* See TM 9-783B for servicing air cleaner.

**63. REMOVAL FROM TRACTOR.**

**a. Equipment.**

SCREWDRIVER, 8-in.                      WRENCH, open-end,  $\frac{9}{16}$ -in.  
WRENCH,  $\frac{7}{16}$ -in. (2)

**b. Procedure.**

**(1) REMOVE PRECLEANER AND HOOD.**

WRENCH,  $\frac{7}{16}$ -in. (2)                      WRENCH, open-end,  $\frac{9}{16}$ -in.

Loosen clamp at base of precleaner (two  $\frac{7}{16}$ -in. wrenches) and lift precleaner off. Loosen bolts at corners of hood, remove bolt at left rear corner inside battery box ( $\frac{9}{16}$ -in. wrench) and lift hood off over exhaust stack.

**(2) DISCONNECT CONNECTOR HOSE.**

SCREWDRIVER, 8-in.

Loosen clamps on hose connecting air cleaner to air inlet elbow and slide hose onto elbow.

**(3) REMOVE MOUNTING BAND BOLTS.**

WRENCH,  $\frac{9}{16}$ -in.

Remove bolts and plain washers from air cleaner mounting bands and maneuver cleaner from under cowl.

**64. CLEANING.**

**a.** Screens cannot be removed from body of cleaner, but if cleaner is removed and is to be put back on, the screens should be rinsed in Diesel fuel to clean them.

**65. INSTALLATION.**

**a. Equipment.**

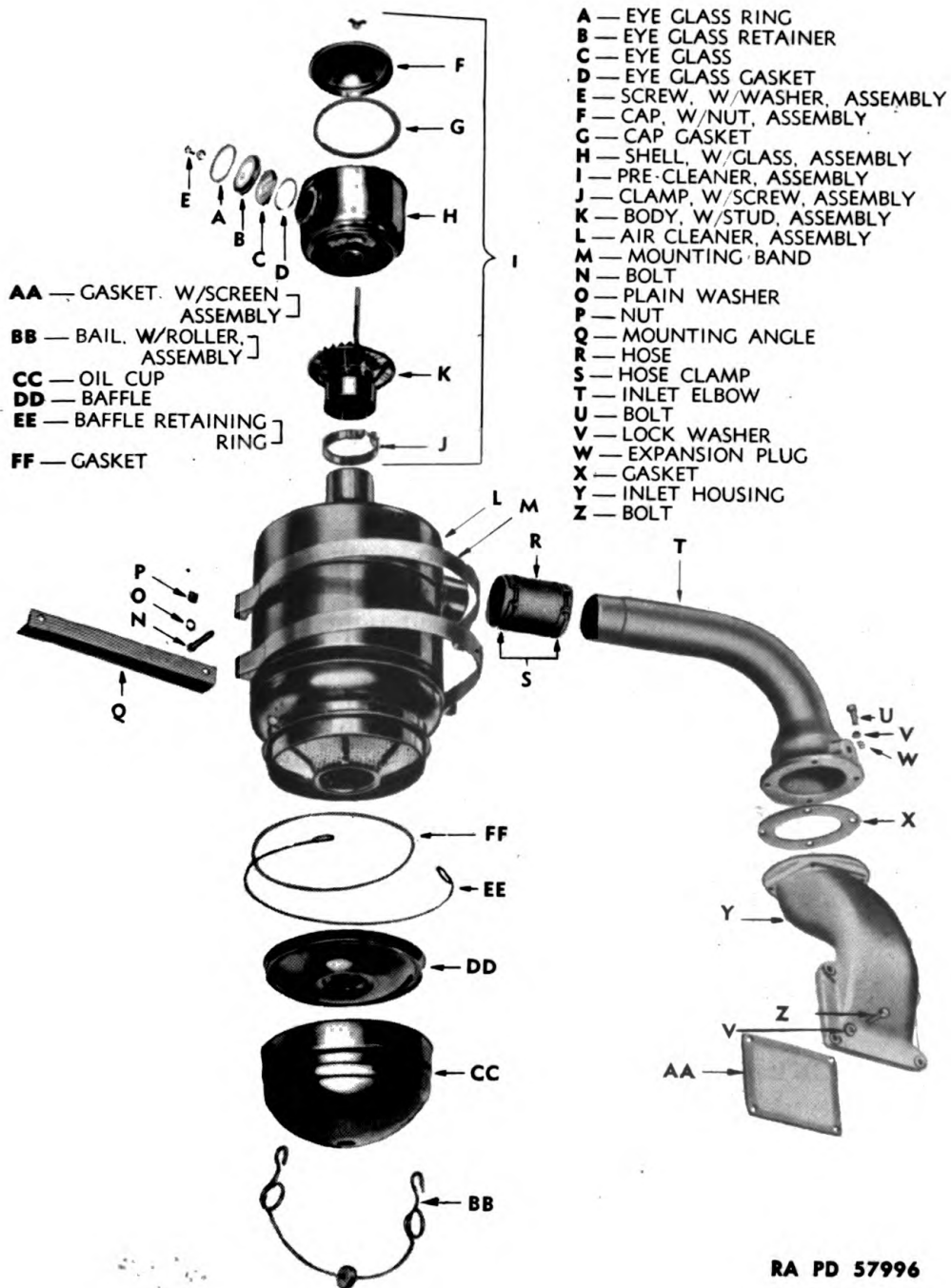
SCREWDRIVER, 8-in.                      WRENCH,  $\frac{9}{16}$ -in.  
WRENCH,  $\frac{7}{16}$ -in. (2)

**b. Procedure (par. 6 a).**

**(1) INSTALL CLEANER ON COWL.**

WRENCH,  $\frac{9}{16}$ -in.

**AIR CLEANER (OIL BATH)**



RA PD 57996

**Figure 86 — Exploded View of Air Precleaner and Oil Bath Cleaner Assembly**

Set cleaner assembly in position underneath cowl. Hold cleaner in position with outlet tube pointing towards and level with air inlet elbow. Install bolts through cowl and into nuts enclosed in the ends of upper mounting band. Do the same with lower band but include the mounting angle on outer side of cowl. Tighten firmly.

## TM 9-1783B

65-66

### ORDNANCE MAINTENANCE — MEDIUM TRACTOR M1 (ALLIS-CHALMERS HD-7W) ENGINE ACCESSORIES

#### (2) ATTACH CLEANER TO AIR INLET ELBOW.

SCREWDRIVER, 8-in.

Slide end of hose from air inlet elbow onto end of outlet tube on air cleaner and tighten hose clamps. Check to see that oil cup at bottom is filled to proper level with oil.

#### (3) INSTALL HOOD AND PRECLEANER.

WRENCH,  $\frac{7}{16}$ -in. (2)                      WRENCH, open-end,  $\frac{9}{16}$ -in.

Set hood in position. Force hold-down strap bolts into clips and tighten ( $\frac{9}{16}$ -in. wrench). Set precleaner on tube at top of air cleaner and tighten clamp at base (two  $\frac{7}{16}$ -in. wrenches).

## 66. AIR INLET ELBOW.

a. **Description.** Air leaving the oil bath air cleaner passes through the air inlet elbow and air inlet housing to the blower. A large butterfly air valve with beveled edges to fit tightly against the sides of the elbow is located at the lower end of the elbow and is controlled by the fuel and air shut-off lever and linkage. When the fuel and air shut-off lever on dash is pulled out, the air valve in the inlet elbow is closed as the fuel to the injectors is shut off. This air valve acts as a safety valve if a surplus of fuel collects in the engine. Closing the air valve shuts off the supply of air and thus causes the engine to stop. A spring and ball arrangement is located in the lever assembly to hold the valve in either open or closed position.

#### b. Removal.

##### (1) EQUIPMENT.

PLIERS    WRENCH,  $\frac{9}{16}$ -in.  
SCREWDRIVER, 8-in.

##### (2) PROCEDURE.

###### (a) *Disconnect Control Rods.*

PLIERS

Pull cotter pins and remove pins from outer ends of control rods connected to air valve lever on elbow.

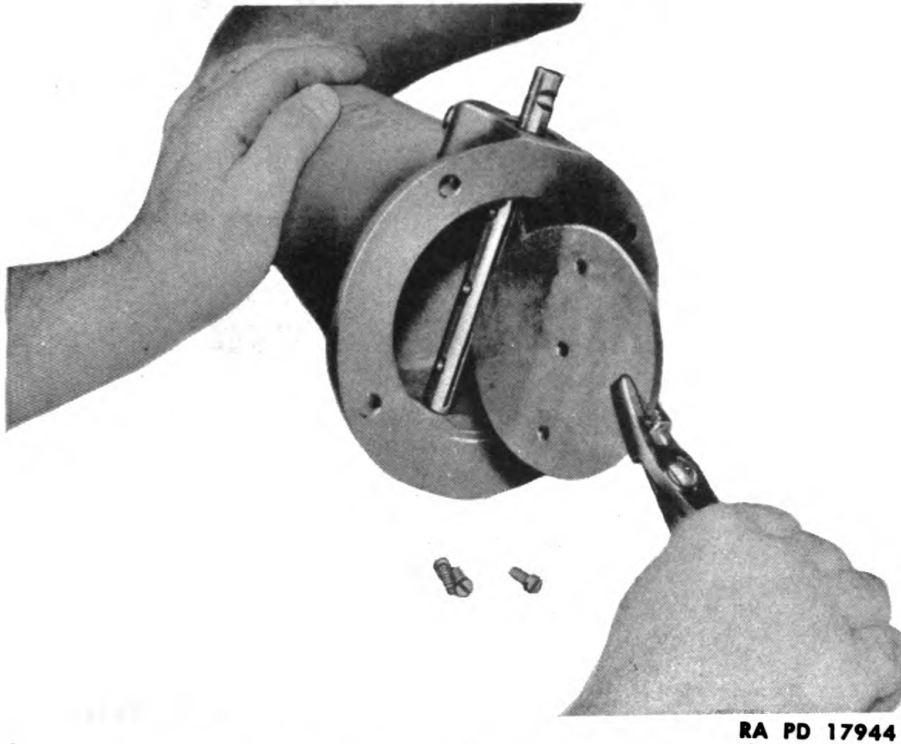
###### (b) *Remove Elbow.*

SCREWDRIVER, 8-in.                      WRENCH,  $\frac{9}{16}$ -in.

Loosen hose clamp on hose at the upper end of the elbow connecting elbow to the outlet tube of the air cleaner (screwdriver). Remove the four cap screws which hold elbow to blower air inlet housing. Lift off air inlet elbow assembly and remove gasket ( $\frac{9}{16}$ -in. wrench).



**AIR CLEANER (OIL BATH)**



**Figure 87 – Removing Air Valve from Shaft**

**c. Disassembly.**

**(1) EQUIPMENT.**

**BAR, pry, small**  
**HAMMER, 2-lb**  
**PLIERS**

**PUNCH, small**  
**SCREWDRIVER, 6-in.**  
**WRENCH,  $\frac{9}{16}$ -in. (2)**

**(2) PROCEDURE.**

**(a) Remove Air Valve Lever Assembly.**

**BAR, pry**  
**PLIERS**

**WRENCH,  $\frac{9}{16}$ -in. (2)**

Remove cotter pin and washer from pivot pin holding lever assembly to fuel and air shut-off rods (pliers) (fig. 90). Remove bolt clamping lever on air valve shaft (two  $\frac{9}{16}$ -in. wrenches) and pry lever from shaft (pry bar). Take care not to lose the ball and spring (fig. 89) when removing the lever assembly, as spring will throw ball if released.

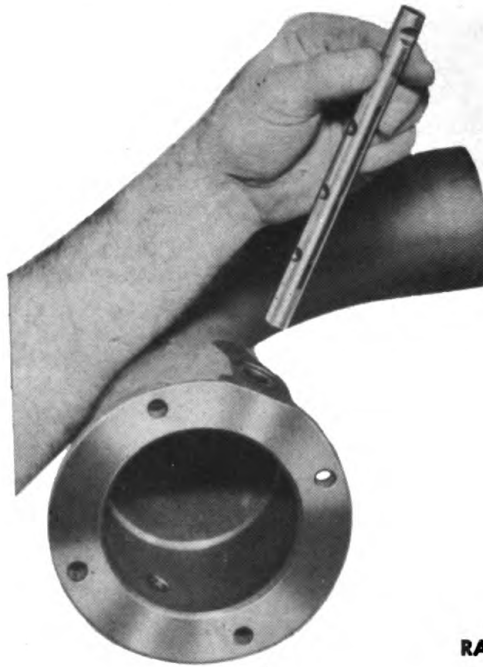
**(b) Remove Air Valve Assembly.**

**HAMMER, 2-lb**  
**PLIERS**

**PUNCH, small**  
**SCREWDRIVER, 6-in.**

Remove lock wire threaded through cap screws in air valve shaft and air valve (pliers), and remove these three cap screws (screw-

**ORDNANCE MAINTENANCE — MEDIUM TRACTOR M1  
(ALLIS-CHALMERS HD-7W) ENGINE ACCESSORIES**



RA PD 17884

**Figure 88 — Installing Air Valve Shaft**

driver). Slide air valve out of slot in shaft and pull shaft out of elbow from lever side. If necessary to replace seal, remove seal with punch and hammer.

**d. Assembly.**

**(1) EQUIPMENT.**

**HAMMER, soft**  
**PLIERS**  
**SCREWDRIVER, 6-in.**

**WIRE, soft**  
**WRENCH,  $\frac{9}{16}$ -in. (2)**

**(2) PROCEDURE.**

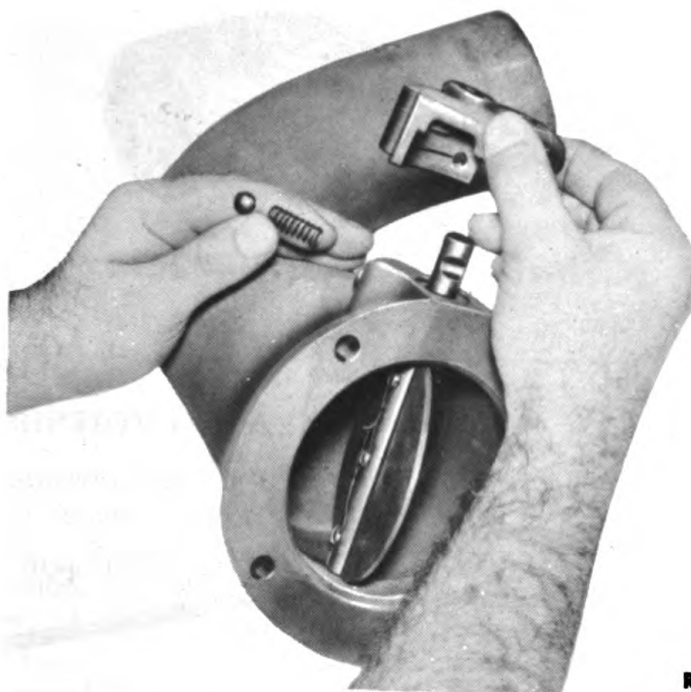
**(a) Assemble Valve and Shaft.**

**HAMMER, soft**  
**PLIERS**

**SCREWDRIVER, 6-in.**  
**WIRE, soft**

If seal was removed, drive new seal into place with soft hammer. Then slide air valve shaft into elbow from lever side and insert valve through slot in shaft. **NOTE:** Valve must be installed so beveled edges will fit against sides of elbow when closed. To test, have notch in outer end of shaft down, insert valve in shaft, and turn shaft counterclockwise. If beveled edges fit against elbow, the valve is in correct position and screws may be inserted in shaft and valve. Tighten screws with screwdriver and lock with wire threaded through heads (pliers) (figs. 87, 88, and 89).

**AIR CLEANER (OIL BATH)**



RA PD 17941

**Figure 89 – Installing Lever on Air Valve Shaft**

**(b) Install Lever on Shaft.**

**WRENCH,  $\frac{9}{16}$ -in. (2)**

Insert spring in recess in boss on elbow. Place ball on end of spring, compress spring and hold while lever is placed on shaft (fig. 89). Install  $\frac{3}{8}$ - x  $1\frac{1}{2}$ -inch bolt in lever so bolt registers with notch in shaft and tighten (two  $\frac{9}{16}$ -in. wrenches). Test lever by moving it back and forth to see if ball engages in holes in each end of flange on lever.

**(c) Install Control Rod Assembly.**

**PLIERS**

With the parts in proper relationship (fig. 90) insert pivot pin on control rod assembly through hole in valve lever and fasten with flat washer and cotter pin.

**e. Installation.**

**(1) EQUIPMENT.**

**PLIERS**

**SCREWDRIVER, 8-in.**

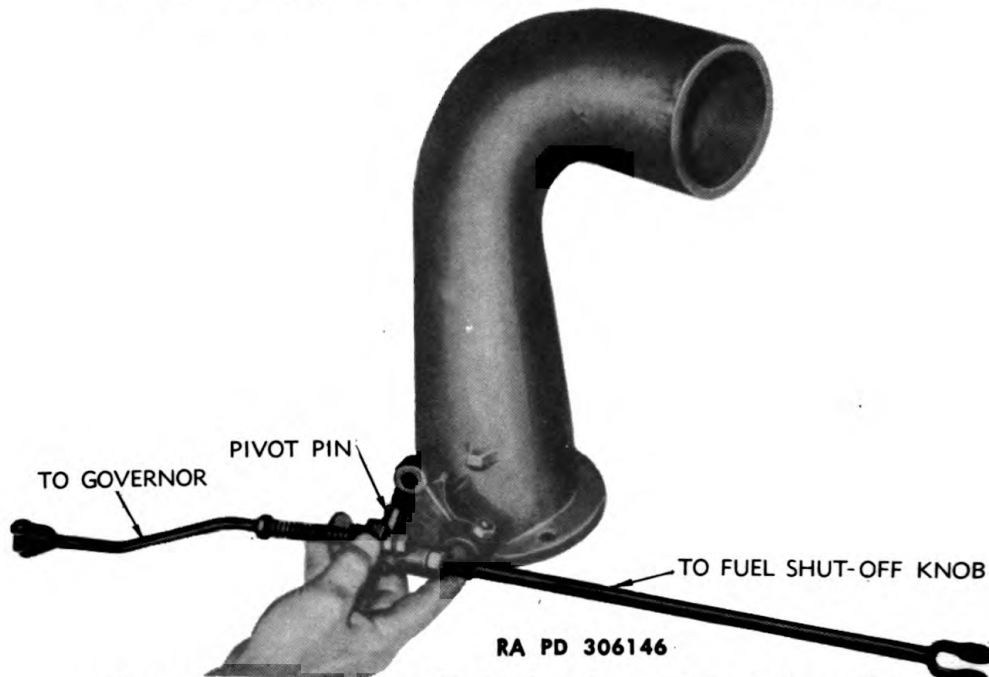
**WRENCH, open-end,  $\frac{9}{16}$ -in.**

**(2) PROCEDURE.**

**(a) Install Elbow on Air Inlet Housing.**

**WRENCH,  $\frac{9}{16}$ -in.**

**ORDNANCE MAINTENANCE—MEDIUM TRACTOR M1  
(ALLIS-CHALMERS HD-7W) ENGINE ACCESSORIES**



**Figure 90—Installing Air Valve Control Rod Assembly**

Shellack gasket to air inlet housing. Set elbow on air inlet housing, inserting upper end into hose on outlet tube of air cleaner. Secure elbow to inlet housing with four  $\frac{3}{8}$ - x 1-inch cap screws.

(b) *Connect Pipes and Controls.*

**PLIERS**

**SCREWDRIVER, 8-in.**

Tighten hose clamp (screwdriver). Connect outer ends of control rods to lever on top of governor control housing and lever on throttle shaft (pliers).

(c) *Adjust Rods if Necessary.*

**WRENCH,  $\frac{9}{16}$ -in.**

When fuel shut-off is pushed in against dash, shut-off lever on governor should move forward until pin on lever is against rear end of slot, and ball in inlet elbow boss should engage in rear notch in lever flange. When fuel shut-off lever is pulled out, the pin on shut-off lever of governor should be against front end of notch; and ball in elbow boss should engage in front notch in lever flange. Adjustment of air valve is made by shortening or lengthening control rod (par. 187).

## CHAPTER 5

### COOLING SYSTEM

#### Section I

### DESCRIPTION OF SYSTEM

	Paragraph
Description of system.....	67

#### 67. DESCRIPTION OF SYSTEM.

a. The desired operating temperature of the engine is from 160 F to 180 F. It is very important to maintain this temperature in a Diesel engine to prevent the formation of sludge and insure efficient engine operation. Most Diesel fuels contain a certain amount of sticky substances which deposit on fuel filters, injector parts, and other parts of the engine and cause these parts to stick, unless kept in suspension by proper engine temperature. This heat is maintained by a thermostat in a housing on the front end of the water manifold. In very cold weather it is sometimes necessary to partially close the radiator shutter to help maintain proper engine operating temperature. It is also important to keep the engine from overheating.

b. Cooling of the engine is accomplished by means of the radiator, water pump, and fan. Water is circulated through the cylinder block and cylinder head by a centrifugal water pump mounted on the front end of the blower and driven by the lower blower rotor shaft. This pump delivers the heated water to the top of the radiator core. The cooling fan—driven by belts from a pulley on crankshaft—draws air through the radiator core, thus dissipating the heat and lowering the water temperature while it passes from the top to the bottom of the radiator.

**ORDNANCE MAINTENANCE—MEDIUM TRACTOR M1  
(ALLIS-CHALMERS HD-7W) ENGINE ACCESSORIES**

**CHAPTER 5**

**COOLING SYSTEM**

**Section II**

**TROUBLE SHOOTING**

Trouble shooting for system..... Paragraph 68

**68. TROUBLE SHOOTING FOR SYSTEM.**

**a. Overheating.**

Possible Cause	Possible Remedy
Lack of water.	Fill radiator.
Fan belt loose.	Adjust belts for 1¼-inch deflection.
Thermostat stuck in closed position.	Replace.
Cooling system clogged.	Clean and flush system.
Water pump not functioning.	Check pump drive shaft and impeller.
Lime coated system.	Clean and flush system.
Dirt or insects in radiator air passages.	Blow out with compressed air.
Rotted hoses.	Replace.

**b. Loss of Cooling Water.**

Water pump packing defective.	Replace.
Leaking gaskets.	Replace gaskets.
Leaks in radiator core.	Repair.
Defective hose connections.	Tighten or replace.
Radiator tubes clogged so that water builds up in top tank and is lost through overflow pipe.	Clean system. If condition not corrected, remove radiator and clean it by boiling in cleaning solution.
Cracked cylinder head or block.	Replace.

**CHAPTER 5**  
**COOLING SYSTEM**

**Section III**

**WATER PUMP**

	<b>Paragraph</b>
Description .....	69
Trouble shooting .....	70
Removal .....	71
Disassembly .....	72
Inspection and repair.....	73
Assembly .....	74
Installation .....	75
Special tools .....	76

**69. DESCRIPTION.**

a. The pump is of the centrifugal type. A bronze impeller with straight blades is pressed onto one end of the case-hardened steel shaft which rotates in a cast housing. A pump drive coupling with an oil slinger is pressed onto the opposite end of the shaft. The oil slinger shrouds the inner end of the pump body flange to prevent oil from creeping along the shaft and through the shaft bearing. Water is prevented from creeping along the shaft from the impeller end by means of a spring loaded Neoprene seal, retained in the impeller by a steel stamping. The shaft is supported at the drive end on a sealed, double-row, combination radial thrust ball bearing. A wire slinger is fitted on the shaft between the pump housing and ball bearing to prevent moisture from creeping along the shaft to the bearing. The pump shaft and bearing constitute one assembly and are serviced as such, because the shaft serves as the inner race of the ball bearing. The shielded bearing is filled with lubricant when assembled. No further lubrication is necessary. The drive coupling fits on the shaft with a light press fit. If the pump becomes frozen or otherwise bound, the coupling will turn on the shaft and thus damage to the pump is prevented.

**70. TROUBLE SHOOTING.**

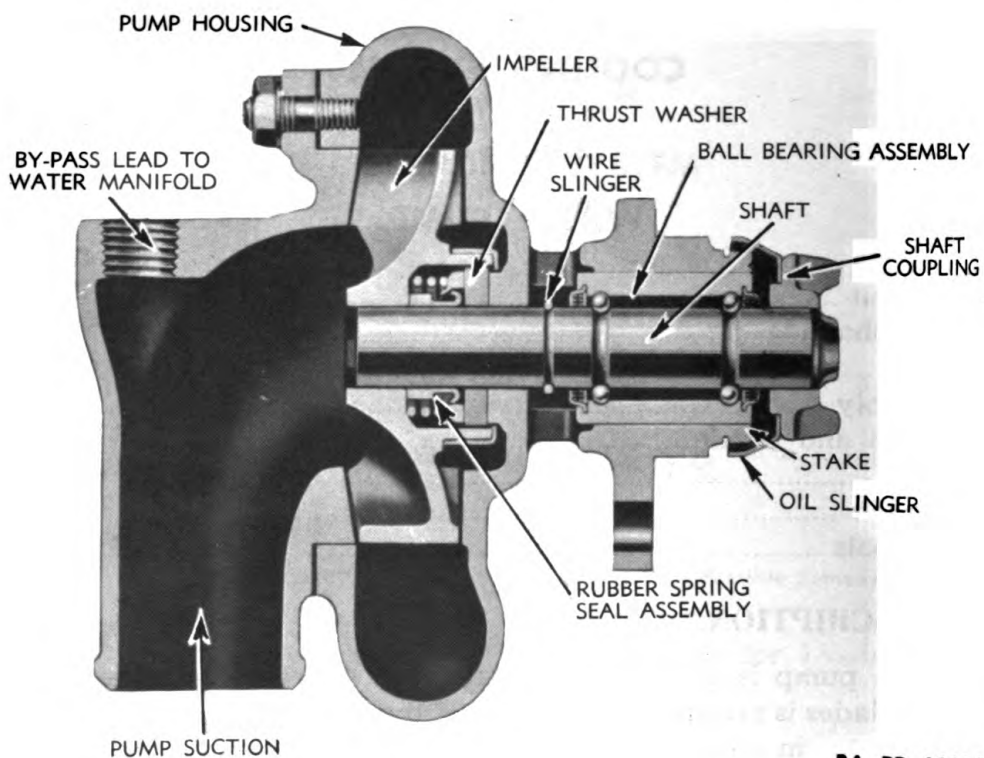
**a. Overheating.**

<b>Possible Cause</b>	<b>Possible Remedy</b>
Pump drive shaft coupling turning on shaft.	Replace coupling.
Impeller turning on shaft.	Replace pump.



**TM 9-1783B**  
**70-71**

**ORDNANCE MAINTENANCE—MEDIUM TRACTOR M1  
 (ALLIS-CHALMERS HD-7W) ENGINE ACCESSORIES**



RA PD 306147

**Figure 91 – Cutaway View of Water Pump**

**b. Noisy Pump.**

Bearing defective.  
 Impeller defective.

Replace pump.  
 Replace pump.

**c. Loss of Water.**

Water pump seal faulty.

Replace pump.

**71. REMOVAL.**

**a. Equipment.**

SCREWDRIVER, 6-in.  
 TOOL, water pump drain  
 WRENCH, 1/2-in.

WRENCH, 9/16-in.  
 WRENCH, 3/4-in. (2)  
 WRENCH, fuel pump

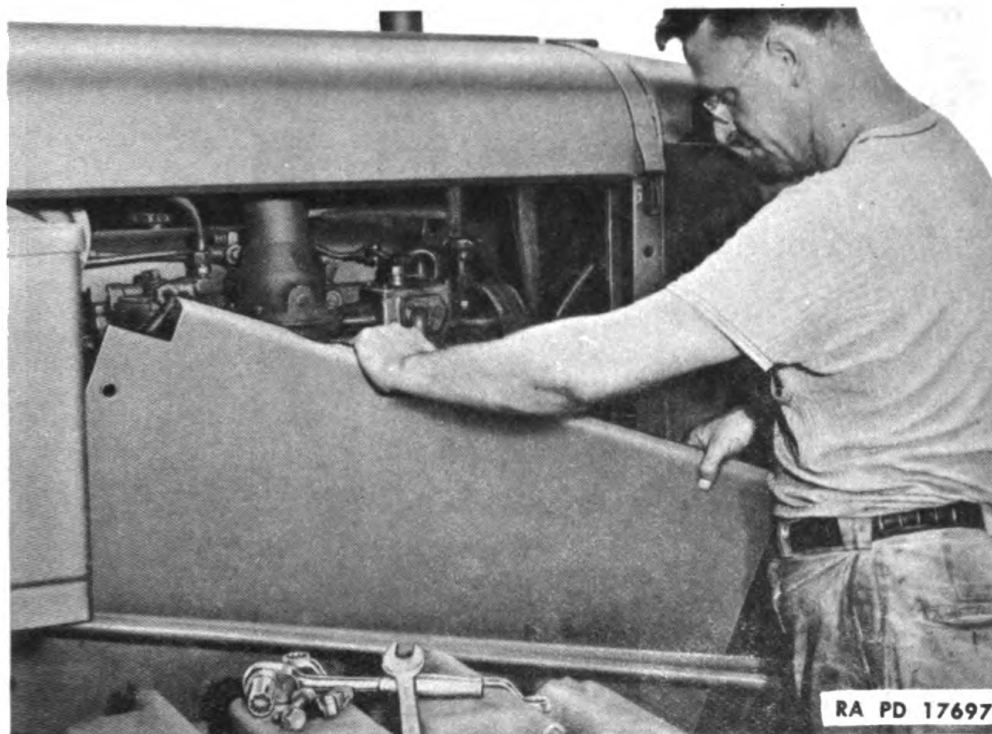
**b. Procedure.**

**(1) DRAIN COOLING SYSTEM.**

TOOL, water pump drain

Open both water pump and radiator drain cocks. If antifreeze solution is in cooling system, drain into clean containers to save for refilling radiator.

**WATER PUMP**



**Figure 92 – Removing Right Front Fender**

**(2) REMOVE RIGHT FRONT FENDER.**

**WRENCH, 3/4-in. (2)**

Remove one bolt and three cap screws holding fender and remove fender.

**(3) REMOVE GOVERNOR BREATHER TUBE.**

**SCREWDRIVER, 6-in.**

Remove two screws holding top of tube to governor housing and lift tube out of clip at bottom (fig. 165).

**(4) DISCONNECT HOSE.**

**SCREWDRIVER, 6-in.**

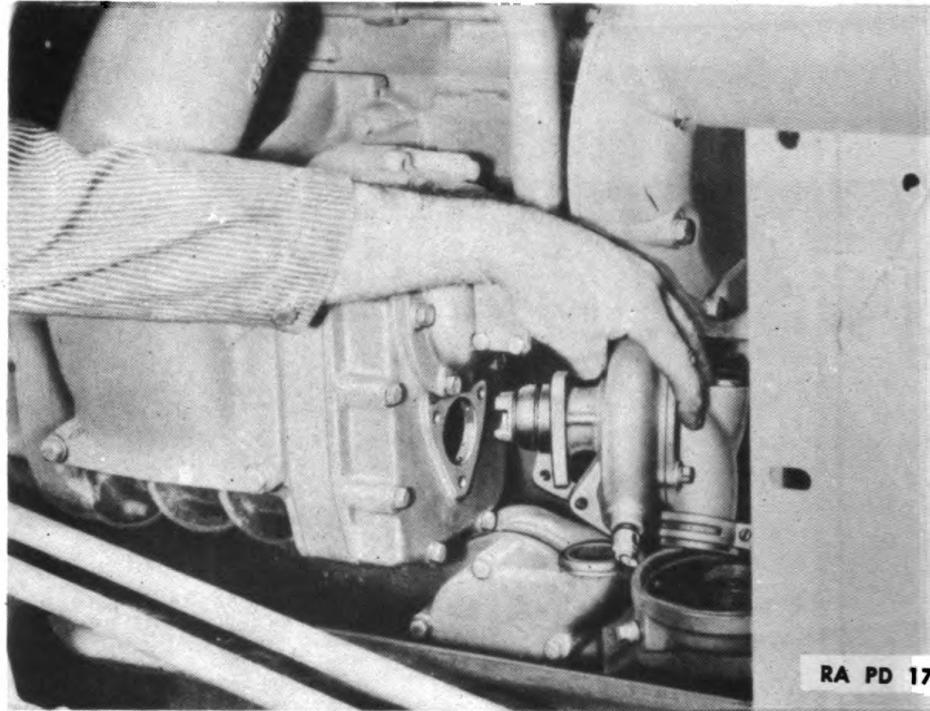
Loosen hose clamp on hose connection between water pump and oil cooler.

**(5) DISCONNECT PUMP OUTLET PACKING FLANGE.**

**WRENCH, 1/2-in.**

Remove the two cap screws holding pump outlet packing flange to cylinder block.

**ORDNANCE MAINTENANCE—MEDIUM TRACTOR M1  
(ALLIS-CHALMERS HD-7W) ENGINE ACCESSORIES**



**Figure 93 — Removing Water Pump**

**(6) REMOVE PUMP ASSEMBLY.**

**WRENCH, fuel pump**

Remove the three cap screws holding water pump to front end of blower and remove pump assembly and coupling.

**72. DISASSEMBLY.**

**a. Equipment.**

**HAMMER, 2-lb**

**PRESS, arbor**

**TOOL, water pump drive  
and oil slinger assembly  
removing**

**WRENCH,  $\frac{7}{16}$ -in.**

**b. Procedure (fig. 91).**

**(1) REMOVE WATER PUMP COVER.**

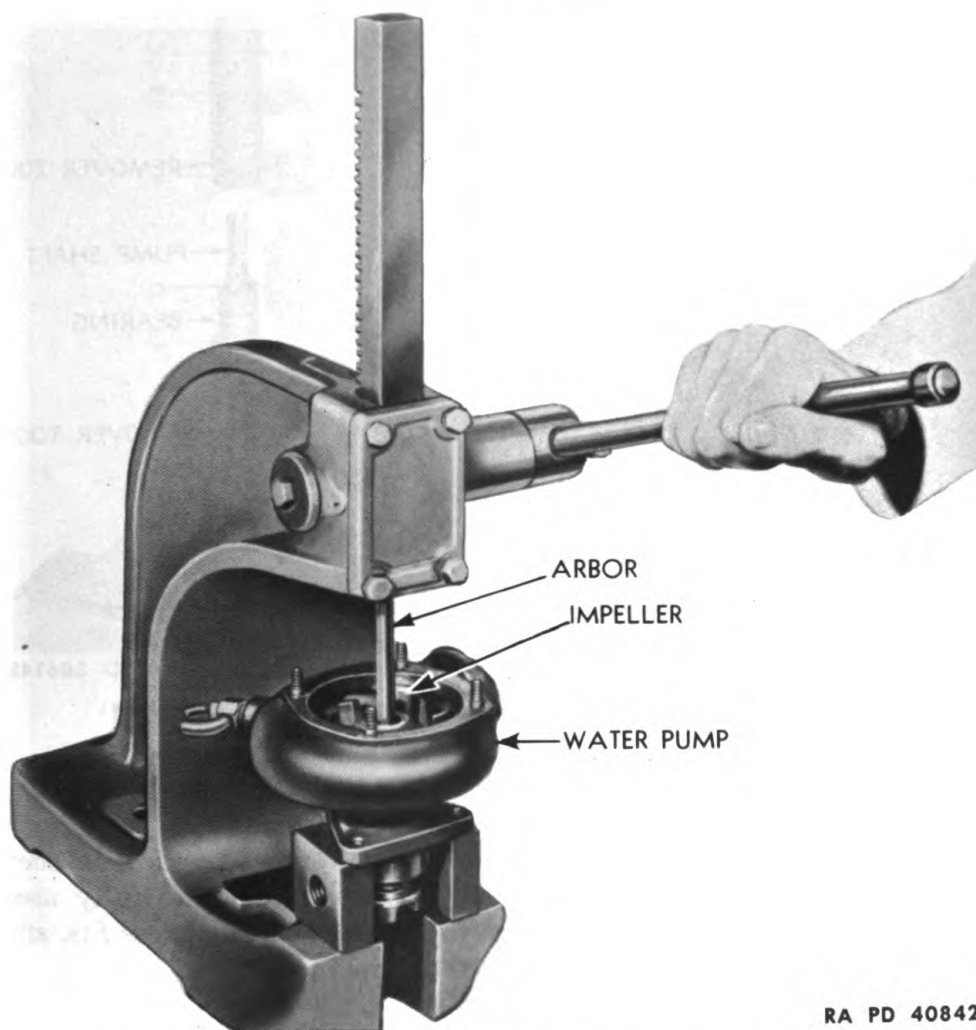
**WRENCH,  $\frac{7}{16}$ -in.**

Remove four nuts from water pump cover studs and remove cover.

**(2) REMOVE BEARING AND SHAFT.**

**PRESS, arbor**

**WATER PUMP**



RA PD 40842

**Figure 94 – Pressing Water Pump Shaft from Impeller**

Support the water pump in an arbor press, flange down, and press the shaft through the impeller. This removes shaft and bearing assembly. Lift impeller from pump housing. If the water seal only is to be inspected or changed, no further disassembly is necessary. The new seal may be installed and pump reassembled. If further disassembly is necessary, proceed as follows:

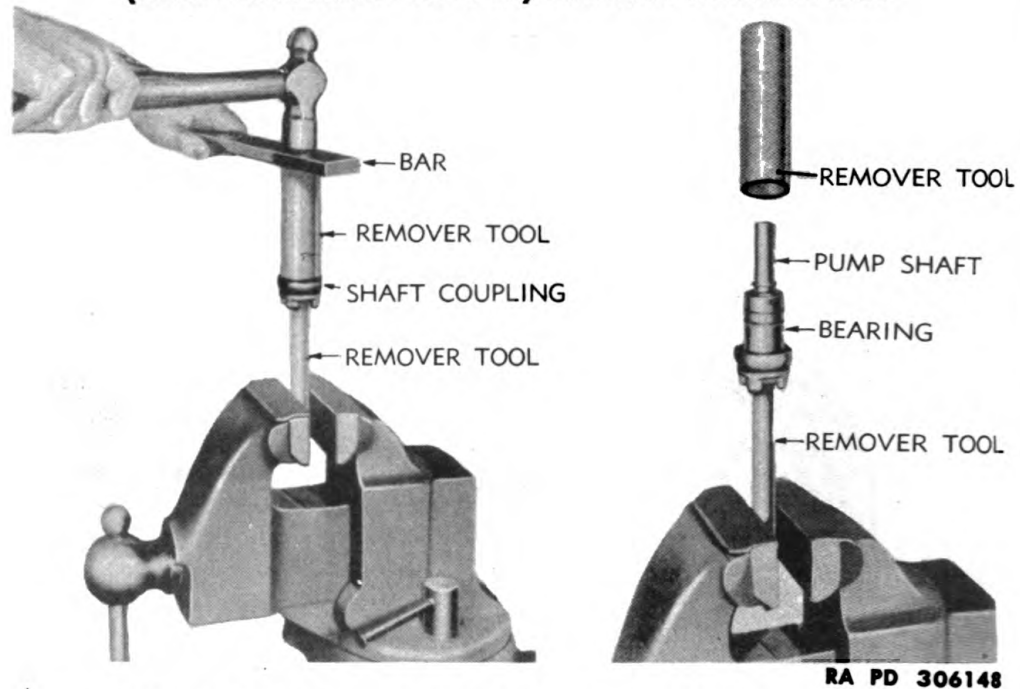
**(a) Remove Pump Drive Coupling.**

**HAMMER, 2-lb**

**TOOLS, water pump shaft coupling and oil slinger assembly removing**

Using tools shown in figure 95, force pump shaft coupling from shaft as illustrated.

**ORDNANCE MAINTENANCE—MEDIUM TRACTOR M1  
(ALLIS-CHALMERS HD-7W) ENGINE ACCESSORIES**



**Figure 95 – Removing Water Pump Shaft Coupling**

**73. INSPECTION AND REPAIR.**

a. After the pump has been disassembled, carefully inspect all parts. Any worn or defective parts should be replaced with new ones. The impeller and shaft coupling cannot always be successfully used the second time as they are held on the shaft solely by press fits, and removal and installation are apt to stretch the metal.

**74. ASSEMBLY.**

**a. Equipment.**

HAMMER, soft  
PRESS, arbor

SHELLAC  
WRENCH,  $\frac{7}{16}$ -in.

**b. Procedure.**

**(1) INSTALL SHAFT AND BEARING.**

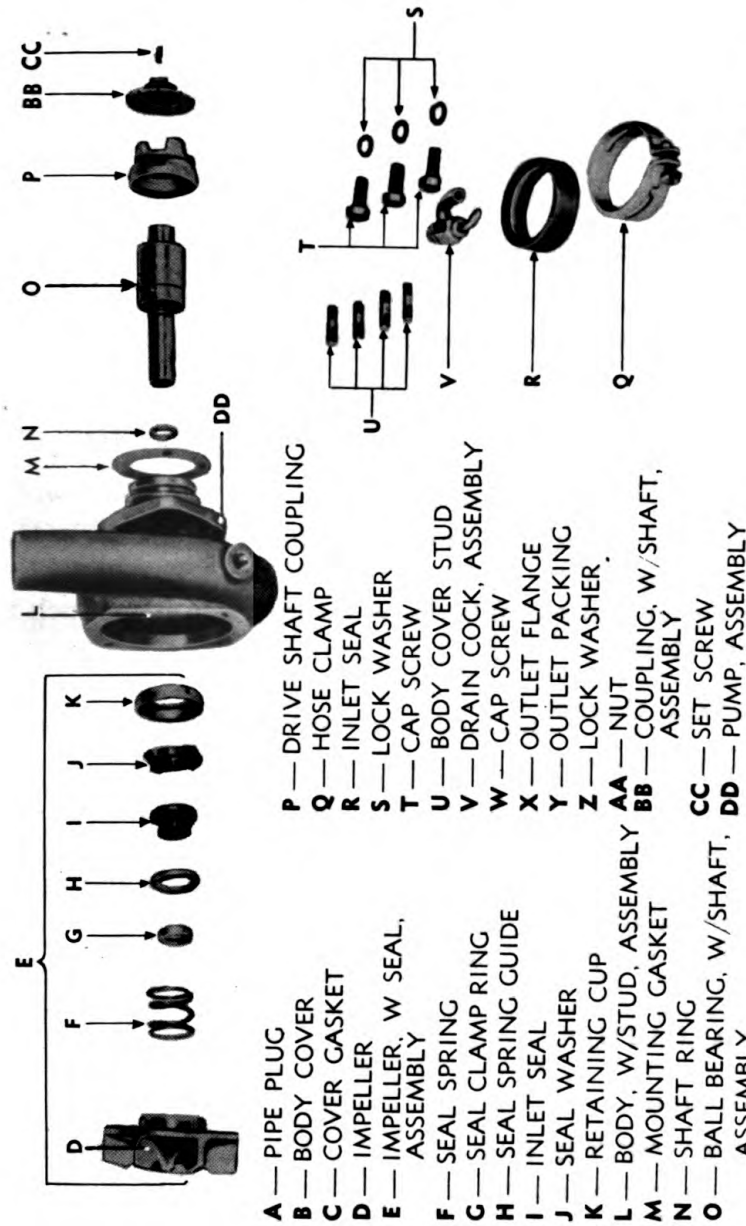
PRESS, arbor

**NOTE:** (par. 6 a): Before starting to assemble pump, study figure 96, which shows the relative location of all parts. Press shaft and bearing assembly into pump housing until bearing seats against shoulder (arbor press).

**(2) INSTALL SEAL ASSEMBLY.**

HAMMER, soft

**WATER PUMP**



RA PD 57997

**Figure 96 — Exploded View of Water Pump Assembly**

**ORDNANCE MAINTENANCE — MEDIUM TRACTOR M1  
(ALLIS-CHALMERS HD-7W) ENGINE ACCESSORIES**

Assemble clamp ring, spring guide, seal, and seal washer together. Insert spring into impeller hub, set seal assembly next to spring, and lock the assembly in the impeller by driving retainer cup down over hub of impeller (fig. 96).

**(3) INSTALL SEAL AND IMPELLER.**

**PRESS, arbor**

Start impeller and seal assembly onto outer end of shaft; then press impeller on flush with outer end of shaft; maintaining proper arrangement of parts.

**(4) INSTALL SHAFT COUPLING.**

**PRESS, arbor**

Support impeller end of shaft on arbor press and press shaft coupling onto inner end of shaft. Rotate shaft by hand to test for clearance between impeller and pump body. A clearance of 0.005-inch to 0.045-inch is satisfactory.

**(5) INSTALL COVER.**

**WRENCH,  $\frac{7}{16}$ -in.**

Shellack gasket to cover and set cover over studs and against pump body so that elbow points down when pump outlet can be attached to cylinder block. Install four  $\frac{1}{4}$ -inch nuts on studs and tighten nuts. Rotate pump shaft again to make sure shaft turns freely and there is no bind between pump and cover.

**75. INSTALLATION.**

**a. Equipment.**

**SCREWDRIVER, 6-in.**  
**TOOL, water pump drain**  
**WRENCH,  $\frac{1}{2}$ -in.**

**WRENCH,  $\frac{9}{16}$ -in.**  
**WRENCH,  $\frac{3}{4}$ -in. (2)**  
**WRENCH, fuel pump**

**b. Procedure.**

**(1) INSTALL NEW COUPLING ON PUMP SHAFT.**

Place coupling on pump shaft with jaws pointing toward blower. See that outlet packing flange and packing ring are in position on the discharge pipe and that the hose connection from the pump to the oil cooler is in place. Use new gasket, if necessary.

**(2) INSTALL PUMP ASSEMBLY.**

**WRENCH, fuel pump**



## WATER PUMP

Install the pump assembly on the front end plate cover of the blower with three  $\frac{5}{16}$ -x  $\frac{7}{8}$ -inch cap screws, taking care that the driving lugs of the coupling engage between the lugs of the driving assembly on the blower rotor shaft.

(3) **CONNECT PUMP OUTLET PACKING FLANGE.**

**SCREWDRIVER, 6-in.                      WRENCH,  $\frac{1}{2}$ -in.**

Connect flange to cylinder block with two  $\frac{5}{16}$ -x  $1\frac{1}{8}$ -inch cap screws ( $\frac{1}{2}$ -in. wrench). Tighten hose connections (screwdriver).

(4) **INSTALL GOVERNOR BREATHER TUBE.**

**SCREWDRIVER, 6-in.**

Insert lower end of tube through clip on oil cooler and install screws with lock washers holding tube to governor housing. Close drain cocks, fill cooling system. Start engine and check for leaks.

(5) **INSTALL FRONT FENDER.**

**WRENCH,  $\frac{3}{4}$ -in. (2)**

Install front fender with three bolts and one cap screw.

## 76. SPECIAL TOOLS.

a. Special tools and equipment required for repair of water pump are:

**PRESS, arbor**

**TOOLS, water pump shaft  
coupling and oil slinger  
assembly removing**

**ORDNANCE MAINTENANCE — MEDIUM TRACTOR M1  
(ALLIS-CHALMERS HD-7W) ENGINE ACCESSORIES**

**CHAPTER 5  
COOLING SYSTEM**

**Section IV**

**FAN AND BELTS**

	Paragraph
Description .....	77
Trouble shooting .....	78
Removal of fan belts.....	79
Installation of fan belts.....	80
Fan belt adjustment.....	81
Removal of fan assembly.....	82
Disassembly of fan assembly.....	83
Inspection of parts.....	84
Assembly of fan assembly.....	85
Installation of fan assembly.....	86

**77. DESCRIPTION.**

a. The fan draws air through the radiator to speed cooling of the water as it circulates from top to bottom of the radiator. The fan assembly is mounted on a spindle, which is supported at the inner end by a slotted bracket. This construction permits raising or lowering the fan assembly by means of an adjusting screw for belt adjustment purposes. The bracket is mounted on the balance weight cover. The suction type fan has six blades and is bolted to the fan pulley hub, which rotates on two ball bearings. It is driven by two V-belts from a pulley on engine crankshaft.

b. **Lubrication.** The fan bearings should be lubricated every 240 hours. A lubricating fitting is provided in the fan hub for this purpose. Use only a hand grease gun when lubricating the fan to prevent damage to the oil seals from too much pressure.

**78. TROUBLE SHOOTING.**

**a. Engine Overheating.**

Possible Cause	Possible Remedy
Drive belts loose.	Adjust to 1 1/4-inch slack.
Drive belts broken.	Replace belts.
<b>b. Fan Noisy.</b>	
Bearing defective.	Rebuild fan assembly.
Fan loose on hub.	Tighten fan assembly.
Blades bent.	Replace fan blade assembly.

## FAN AND BELTS

### 79. REMOVAL OF FAN BELTS.

#### a. Equipment.

WRENCH, fan adjusting                      WRENCH, open-end, 3/4-in.

#### b. Procedure.

##### (1) LOOSEN JAM NUT ON FAN SPINDLE.

WRENCH, fan adjusting

Loosen the jam nut in back of bracket on end of fan spindle.

##### (2) LOOSEN FAN BELTS.

WRENCH, open-end, 3/4-in.

Loosen lock nut on adjusting screw and turn screw counterclockwise to loosen belts enough to remove them from fan pulley grooves.

##### (3) REMOVE BELTS.

Remove one belt at a time. After removing belt from fan pulley, remove belt from crankshaft pulley and work belt off over fan. Remove second belt in same manner.

### 80. INSTALLATION OF FAN BELTS.

#### a. Equipment.

WRENCH, fan adjusting                      WRENCH, open-end, 3/4-in.

#### b. Procedure.

##### (1) INSTALL BELTS.

Work belts over fan. Place first belt in rear groove of lower crankshaft pulley; then work belt into rear groove of fan pulley. It may be necessary to turn fan by turning motor with engine cranking wrench to run belt onto fan pulley. Install second belt in front pulley grooves in same manner.

##### (2) ADJUST BELTS.

Adjust belts as described under paragraph 81, "Fan Belt Adjustment."

### 81. FAN BELT ADJUSTMENT.

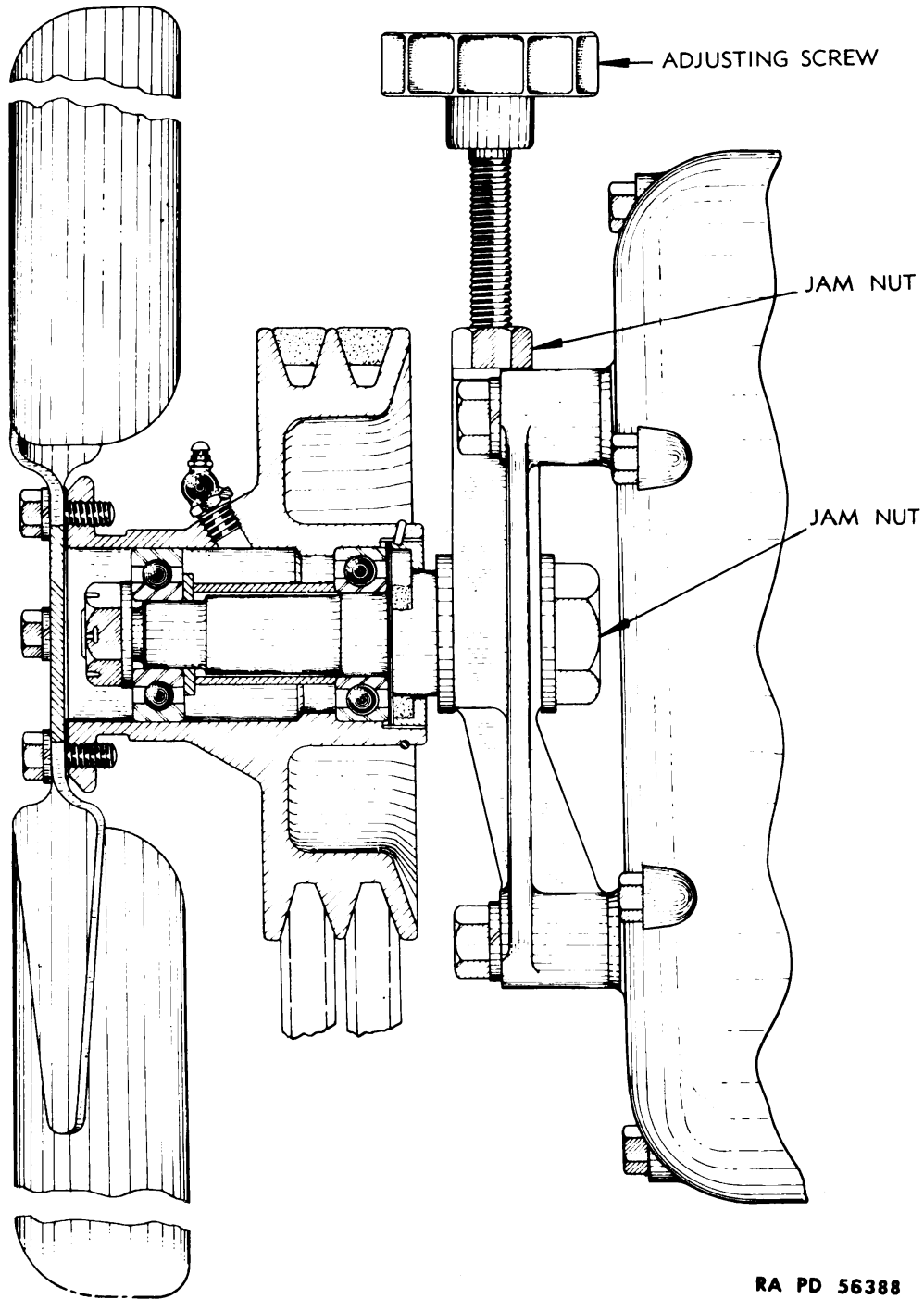
#### a. Equipment.

WRENCH, fan adjusting                      WRENCH, open-end, 3/4-in.

#### b. Procedure.

With lock nut on adjusting screw and jam nut on fan spindle loosened, turn adjusting screw clockwise to tighten belts. The V-type

**ORDNANCE MAINTENANCE — MEDIUM TRACTOR M1  
(ALLIS-CHALMERS HD-7W) ENGINE ACCESSORIES**



RA PD 56388

**Figure 97 — Fan Belt Adjustments**

## FAN AND BELTS

fan belt should be neither too tight nor too loose. Too tight a belt imposes undue load on the fan bearings and shortens the life of the belt. Too loose a belt allows slippage and reduces the speed of the fan. Each belt is correctly adjusted when one side can be pressed towards the other side about  $1\frac{1}{4}$  inch at point half way between the pulleys. Just seat the lock nut on adjusting screw, then firmly tighten the jam nut on spindle (fan adjusting wrench). Tighten the lock nut on adjusting screw ( $\frac{3}{4}$ -in. wrench).

### 82. REMOVAL OF FAN ASSEMBLY.

#### a. Equipment.

WRENCH,  $\frac{3}{4}$ -in.

#### b. Procedure.

Entire assembly may be removed as one unit. Remove the three cap screws holding bracket to balance weight cover. Lower assembly and remove fan belts from crankshaft pulley. Lift fan assembly and belts from tractor, taking care not to bend radiator fins.

### 83. DISASSEMBLY OF FAN ASSEMBLY.

#### a. Equipment.

HAMMER,  $\frac{1}{2}$ -lb

PLIERS

PUNCH, small

SCREWDRIVER, 6-in.

WRENCH,  $\frac{1}{2}$ -in.

WRENCH, fan adjusting

WRENCH, open-end,  $\frac{3}{4}$ -in.

WRENCH, socket,  $1\frac{5}{16}$ -in.

#### (1) REMOVE FAN BLADE ASSEMBLY.

Remove four cap screws and remove fan blade assembly from fan pulley hub.

#### (2) REMOVE FAN PULLEY FROM SPINDLE.

HAMMER,  $\frac{1}{2}$ -lb

PLIERS

WRENCH, socket,  $1\frac{5}{16}$ -in.

Remove cotter pin from slotted nut on front end of fan spindle (pliers). Remove nut (fig. 98) and end washer ( $1\frac{5}{16}$ -in. wrench) and, holding assembly off bench, tap shaft out of pulley (hammer).

#### (3) REMOVE CORK RETAINER.

HAMMER,  $\frac{1}{2}$ -lb

PUNCH, small

SCREWDRIVER, 6-in.

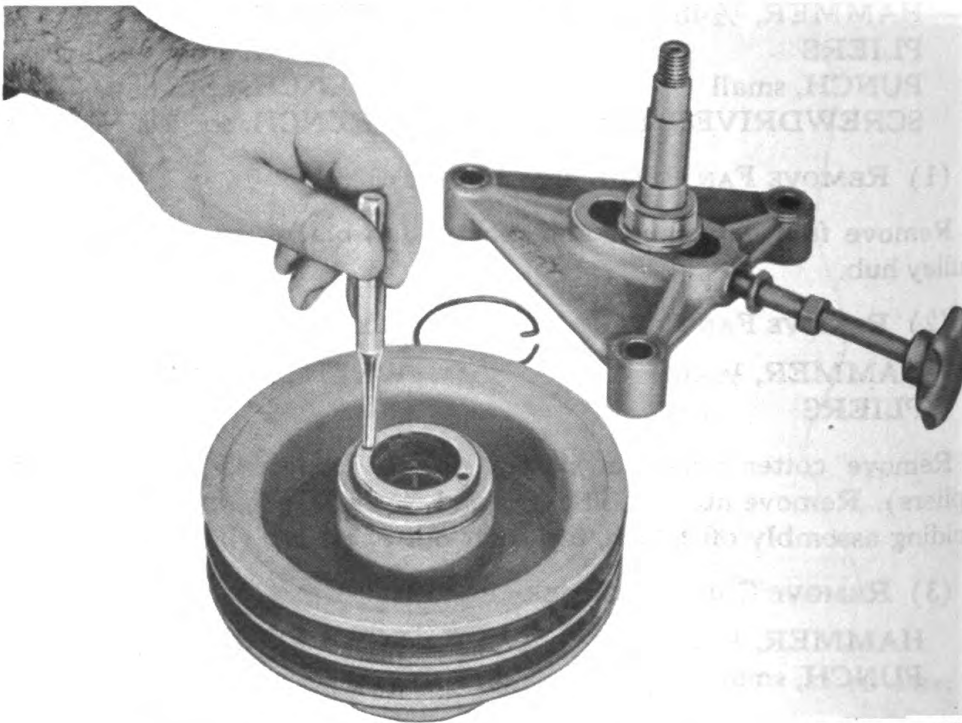
Remove lock wire snap ring from rear of fan pulley hub (screwdriver). Insert punch in hole in bearing retainer and, by tapping on punch with hammer, unscrew retainer from pulley (fig. 99). Remove

**ORDNANCE MAINTENANCE—MEDIUM TRACTOR M1  
(ALLIS-CHALMERS HD-7W) ENGINE ACCESSORIES**



RA PD 40938

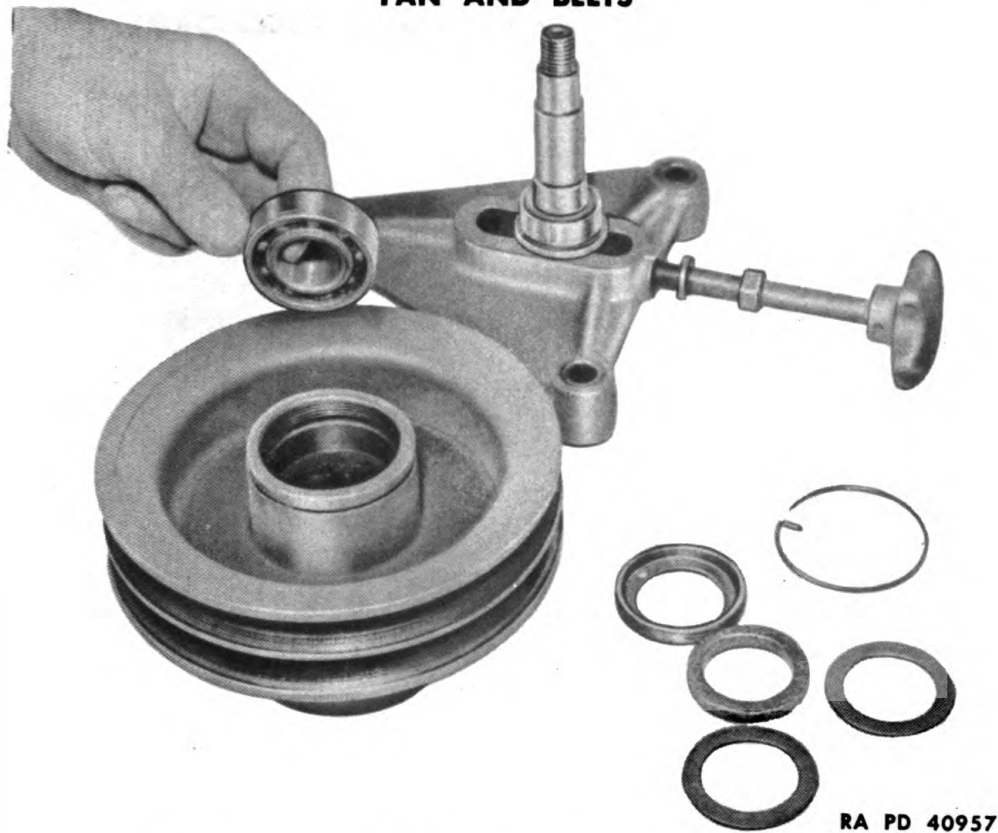
**Figure 98 – Removing Nut from Fan Pulley Spindle**



RA PD 40922

**Figure 99 – Removing Cork Retainer from Pulley**

**FAN AND BELTS**



RA PD 40957

**Figure 100 – Bearing Removed from Fan Pulley**

in order the cork washer (may come out with bearing retainer), plain washer, and rear bearing gasket (fig. 102).

**(4) REMOVE FAN PULLEY BEARINGS.**

**HAMMER**, ½-lb

**PUNCH**, small

Drive front and rear ball bearings from pulley hub (hammer and punch) and remove clamp washer and spacer.

**(5) REMOVE FAN SPINDLE FROM BRACKET.**

**WRENCH**, fan

**WRENCH**, open-end, ¾-in.

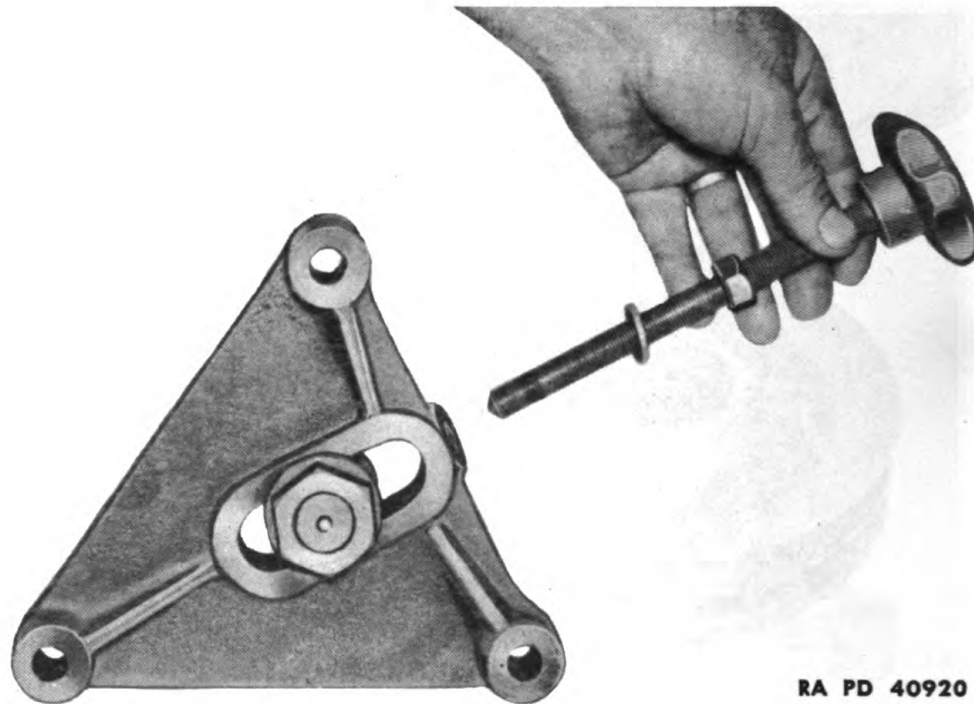
Loosen lock nut on adjusting screw (¾-in. wrench). Screw adjusting screw out of spindle and remove from bracket. Remove the hexagon jam nut from rear end of spindle (fan wrench) and remove spindle with clamp washers from bracket.

**84. INSPECTION OF PARTS.**

a. Clean and inspect all parts. Replace bearings if rough or if they show signs of wear or if colored from heat. Always install new cork washer when reassembling. Inspect fan spindle for signs of wear. Check to see that bearings fit snugly on spindle.



**ORDNANCE MAINTENANCE — MEDIUM TRACTOR M1  
(ALLIS-CHALMERS HD-7W) ENGINE ACCESSORIES**



RA PD 40920

**Figure 101 — Removing Fan Adjusting Screw**

**85. ASSEMBLY OF FAN ASSEMBLY.**

**a. Equipment.**

HAMMER, 1/2-lb  
PLIERS  
PRESS, arbor  
PUNCH, small

SCREWDRIVER, 6-in.  
WRENCH, 1/2-in.  
WRENCH, socket, 1 5/16-in.

**b. Procedure (refer to fig. 102 for relative location of parts).**

**(1) INSTALL REAR BEARING AND CORK RETAINER (par. 6 a).**

HAMMER, 1/2-lb  
PUNCH, small

SCREWDRIVER, 6-in.

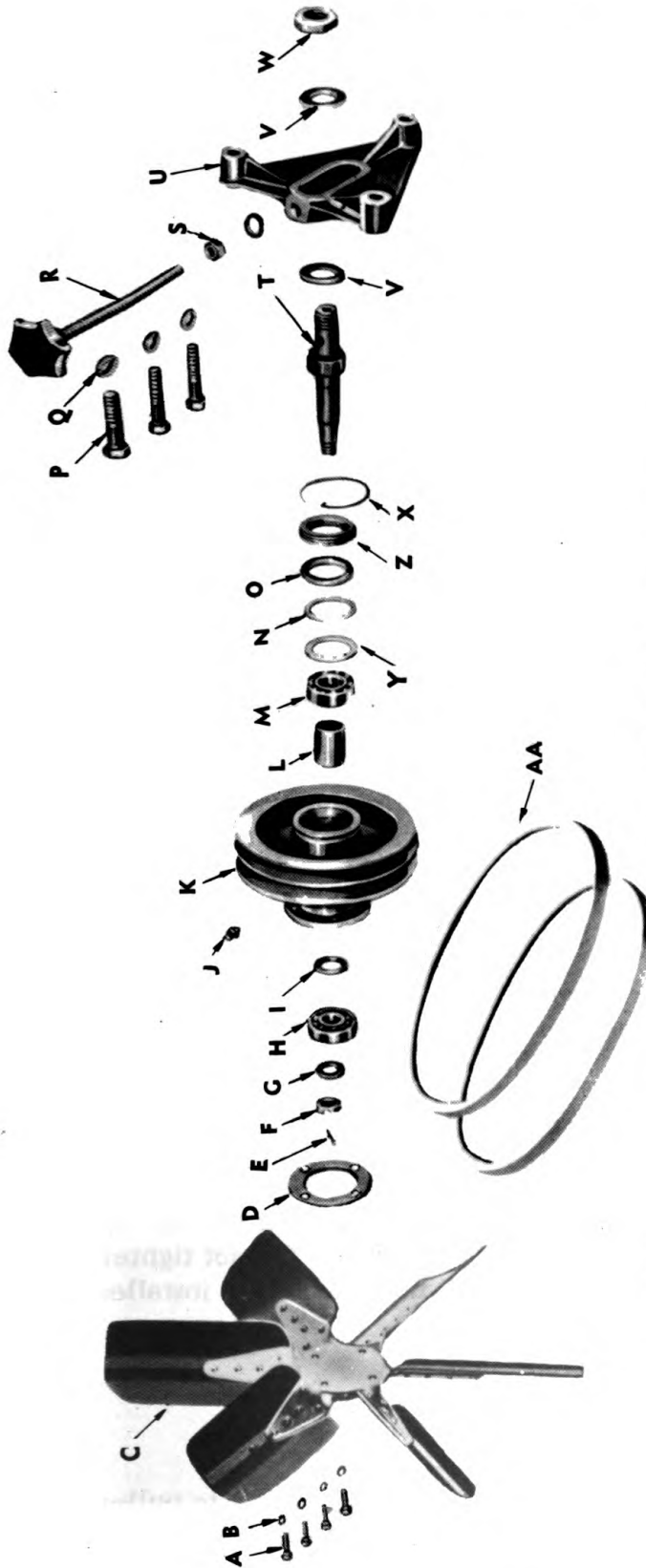
Tap rear ball bearing into rear of pulley hub to seat against shoulder (hammer). Install gasket and plain washer next to bearing (fig. 102). Install new cork washer in bearing retainer and screw retainer into pulley hub (hammer and punch). Install lock wire snap ring (screw-driver).

**(2) INSTALL PULLEY ON SPINDLE.**

HAMMER, 1/2-lb  
PLIERS

PRESS, arbor  
WRENCH, socket, 1 5/16-in.

FAN AND BELTS



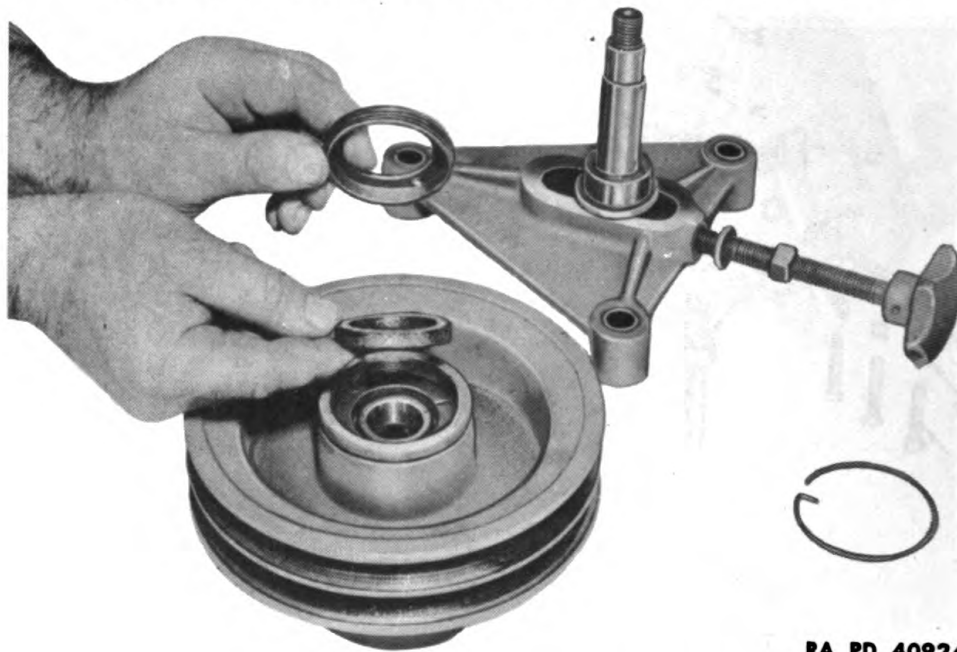
- A — BOLT
- B — LOCK WASHER
- C — FAN BLADE
- D — GASKET
- E — COTTER PIN
- F — NUT
- G — PLAIN WASHER
- H — FRONT BALL BEARING
- I — CLAMP WASHER
- J — LUBRICATION FITTING
- K — FAN DRIVEN PULLEY
- L — BEARING SPACER
- M — REAR BALL BEARING
- N — PLAIN WASHER
- O — CORK WASHER
- P — BOLT
- Q — LOCK WASHER
- R — SCREW, ASSEMBLY
- S — NUT
- T — FAN SPINDLE
- U — MOUNTING BRACKET
- V — PLAIN WASHER
- W — NUT
- X — SNAP RING
- Y — REAR BEARING GASKET
- Z — REAR BEARING RETAINER
- AA — FAN DRIVE BELT

RA PD 306150

Figure 102 — Exploded View of Fan Assembly

Generated on 2014-12-09 17:52 GMT / http://hdl.handle.net/2027/uc1.b3243978  
 Public Domain, Google-digitized / http://www.hathitrust.org/access\_use#pd-google

**ORDNANCE MAINTENANCE—MEDIUM TRACTOR M1  
(ALLIS-CHALMERS HD-7W) ENGINE ACCESSORIES**



RA PD 40924

**Figure 103 – Installing Cork Washer and Retainer**

Press pulley onto fan spindle (arbor press). Install the spacer and clamp washer and then tap front ball bearing into pulley hub (hammer). Install the plain washer and slotted nut, tighten nut ( $1\frac{5}{16}$ -in. wrench), and install cotter pin (pliers).

**(3) INSTALL SPINDLE IN BRACKET.**

Place one clamp washer on spindle and insert end of spindle through bracket. Install second clamp washer on spindle behind bracket and screw on jam nut, tightening with fingers.

**(4) INSTALL ADJUSTING SCREW.**

Place lock washer on adjusting screw below lock nut, insert adjusting screw through hole in top of bracket, and screw it through spindle to seat in lower end of slot in bracket (fig. 101). Do not tighten jam nut or lock nut on adjusting screw until fan assembly is installed and belts adjusted.

**(5) INSTALL FAN BLADE ASSEMBLY.**

**WRENCH,  $\frac{1}{2}$ -in.**

Coat a new fan blade gasket with grease and stick it to pulley hub flange. Install fan blade assembly to pulley with four  $\frac{5}{16}$ - x  $\frac{3}{4}$ -inch cap screws.

**FAN AND BELTS****86. INSTALLATION OF FAN ASSEMBLY.****a. Equipment.****WRENCH**, fan**WRENCH**, open-end,  $\frac{3}{4}$ -in.**b. Procedure.****(1) INSTALL FAN ASSEMBLY ON ENGINE.****WRENCH**, open-end,  $\frac{3}{4}$ -in.

Place fan belts in fan pulley grooves and maneuver fan assembly into place, using care not to damage radiator with fan blades. Lower fan assembly as far as possible and install lower loops of belts on crankshaft pulley. Then raise assembly so three  $\frac{1}{2}$ - x  $2\frac{1}{4}$ -inch cap screws can be inserted through bracket and into balance weight cover. Tighten these cap screws securely.

**(2) ADJUST BELTS.**

See "Fan Belt Adjustment" (par. 81).

ORDNANCE MAINTENANCE — MEDIUM TRACTOR M1  
(ALLIS-CHALMERS HD-7W) ENGINE ACCESSORIES

CHAPTER 5  
COOLING SYSTEM

Section V

THERMOSTAT

	Paragraph
Description .....	87
Trouble shooting .....	88
Removal .....	89
Testing .....	90
Installation .....	91

87. DESCRIPTION.

a. The poppet valve thermostat, located in a housing on the front of the water manifold, automatically maintains correct water temperature in the engine except in extremely cold weather when it may be necessary to close or partially close the radiator shutter. Before the thermostat opens, water is circulated through the oil cooler, cylinder block, and cylinder head, but does not pass through the radiator. Instead it bypasses through an opening in the thermostat and down through a bypass tube to the water pump inlet. When temperature of water reaches approximately 158 F, the thermostat begins to open. As the thermostat opens, the water begins to circulate through the radiator and circulation through the bypass tube is automatically reduced. At 180 F, when the thermostat is fully opened, all of the cooling water circulates through the radiator. Thus cooling water is bypassed around the radiator during the warm-up period to provide a rapid, uniform temperature increase throughout the engine as well as lubricating oil, regardless of external temperature conditions.

88. TROUBLE SHOOTING.

a. Engine Temperature Too Low.

Possible Cause	Possible Remedy
Thermostat stuck in open position.	Replace thermostat.
Thermostat gasket defective.	Replace gasket.

b. Engine Overheats.

Thermostat stuck in closed position.	Replace thermostat.
--------------------------------------	---------------------

## THERMOSTAT

### 89. REMOVAL.

#### a. Equipment.

SCREWDRIVER, 6-in.                      WRENCH, 1/2-in.

#### b. Procedure.

(1) DRAIN COOLING SYSTEM.

(2) DISCONNECT RADIATOR HOSE AND BYPASS TUBE.

SCREWDRIVER, 6-in.                      WRENCH, 1/2-in.

Loosen clamp on hose connection (screwdriver). Remove the two cap screws holding the bypass tube to the thermostat housing (1/2-in. wrench).

(3) REMOVE THERMOSTAT HOUSING.

WRENCH, 1/2-in.

Remove the three cap screws which hold the housing to the water manifold (fig. 104). Thermostat can now be slipped out of the thermostat housing.

### 90. TESTING.

a. No attempt should be made to repair a defective thermostat. It can be tested for operation by removing and putting it in a pan of water, then heating the water to see if it opens at the right temperature, approximately 158 F, and closes again when the water cools.

### 91. INSTALLATION.

#### a. Equipment.

SCREWDRIVER, 6-in.                      WRENCH, 1/2-in.

#### b. Procedure (par. 6 a).

(1) INSTALL THERMOSTAT IN HOUSING.

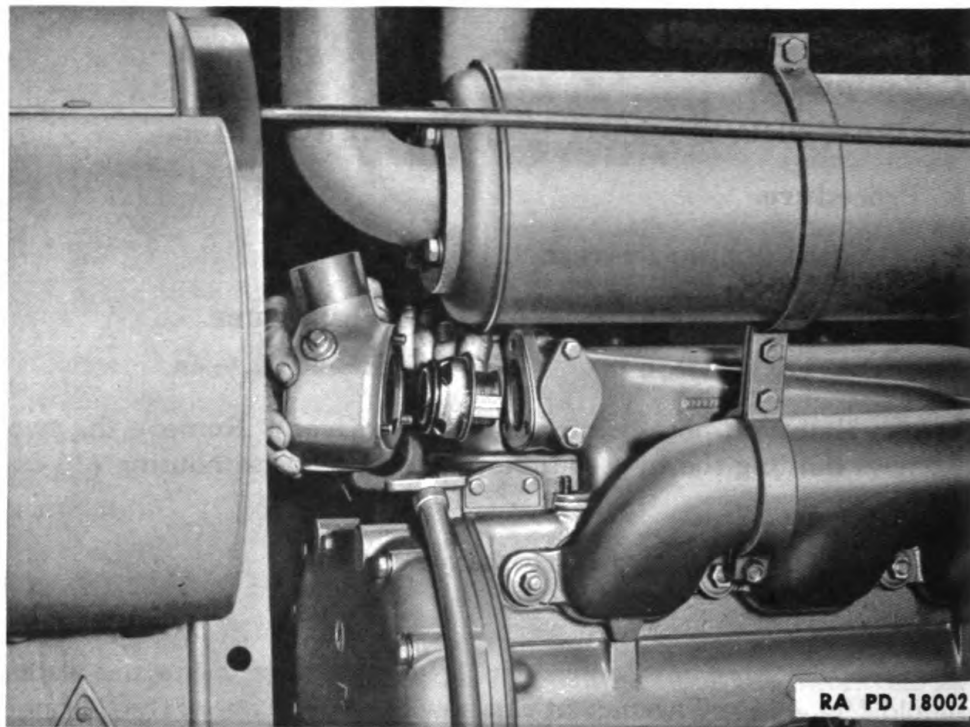
Place gasket over thermostat. Place thermostat in housing, taking care to keep gasket in place. Shellack new gasket to thermostat housing and coat other side of gasket with chassis grease.

(2) CONNECT ASSEMBLY TO WATER MANIFOLD.

WRENCH, 1/2-in.

Hold assembly in place against water manifold and install three 5/16- x 3 1/4-inch cap screws.

**ORDNANCE MAINTENANCE — MEDIUM TRACTOR M1  
(ALLIS-CHALMERS HD-7W) ENGINE ACCESSORIES**



**Figure 104 — Installing Thermostat Assembly**

**(3) CONNECT RADIATOR HOSE AND WATER BYPASS TUBE.**

**SCREWDRIVER, 6-in.**

**WRENCH, 1/2-in.**

Shellack inside of hose, install hose on thermostat housing, and tighten clamp (screwdriver). Install two  $\frac{5}{16}$ - x 1-inch cap screws connecting bypass tube to thermostat housing ( $\frac{1}{2}$ -in. wrench).



## CHAPTER 5 COOLING SYSTEM

### Section VI

### RADIATOR

	Paragraph
Description .....	92
Trouble shooting .....	93
Removal .....	94
Disassembly .....	95
Maintenance and repairs.....	96
Assembly .....	97
Installation .....	98

#### 92. DESCRIPTION.

a. A fin-and-tube type radiator with a capacity of 5¾ gallons is used in the cooling system. It is mounted in a shell directly in front of the engine, close to the fan. A grill in front of the radiator protects it from being damaged by light objects. The shutter on the front of the radiator is manually operated by a lever under the cowl. A quicker warm-up of engine is effected if this shutter is closed when the engine is started. The shutter also aids in maintaining correct engine temperature in extremely cold weather.

#### 93. TROUBLE SHOOTING.

##### a. Overheating.

Possible Cause	Possible Remedy
Lack of water.	Fill radiator.
Radiator clogged.	Clean and flush.
Dirt, trash, or insects in radiator air passages.	Blow out with compressed air.
Rotted hoses.	Replace hoses.

##### b. Loss of Water.

Leaks in radiator core.	Repair or replace.
Radiator clogged so that water builds up on top tank and is lost through overflow.	Clean and flush.

**ORDNANCE MAINTENANCE — MEDIUM TRACTOR M1  
(ALLIS-CHALMERS HD-7W) ENGINE ACCESSORIES****94. REMOVAL.****a. Equipment.**

BAR, pry	WRENCH, $\frac{7}{16}$ -in. (2)
HOIST, chain	WRENCH, $\frac{9}{16}$ -in. (2)
PLIERS	WRENCH, $\frac{3}{4}$ -in. (2)
ROPE	WRENCH, $\frac{7}{8}$ -in.
SCREWDRIVER, 6-in.	WRENCH, socket, $\frac{1}{2}$ -in.

**b. Procedure.****(1) DRAIN COOLING SYSTEM.**

Open drain cocks in lower connector elbow and water pump.

**(2) REMOVE PRECLEANER AND HOOD.**

BAR, pry	WRENCH, open-end, $\frac{9}{16}$ -in.
WRENCH, $\frac{7}{16}$ -in. (2)	

Loosen clamp at base of precleaner (two  $\frac{7}{16}$ -in. wrenches) and lift precleaner off. Loosen bolts at corners of hood and pry bolts out of slot. Remove bolts at left rear corner inside battery box ( $\frac{9}{16}$ -in. wrench) and lift hood off over exhaust stack.

**(3) REMOVE WINCH DRIVE SHAFT GUARD AND GUARD SUPPORT BRACKET.**

WRENCH, $\frac{9}{16}$ -in. (2)	WRENCH, $\frac{7}{8}$ -in.
WRENCH, $\frac{3}{4}$ -in. (2)	

Remove winch drive shaft guard by removing the three bolts at rear of guard and three cap screws at front ( $\frac{9}{16}$ - and  $\frac{3}{4}$ -in. wrenches). Remove the two cap screws holding bracket to radiator shell and remove bracket ( $\frac{7}{8}$ -in. wrench). Remove the two corresponding cap screws on right side holding radiator shell to engine support. Loosen the two remaining cap screws.

**(4) REMOVE BOTH FRONT FENDERS.**

WRENCH,  $\frac{3}{4}$ -in.

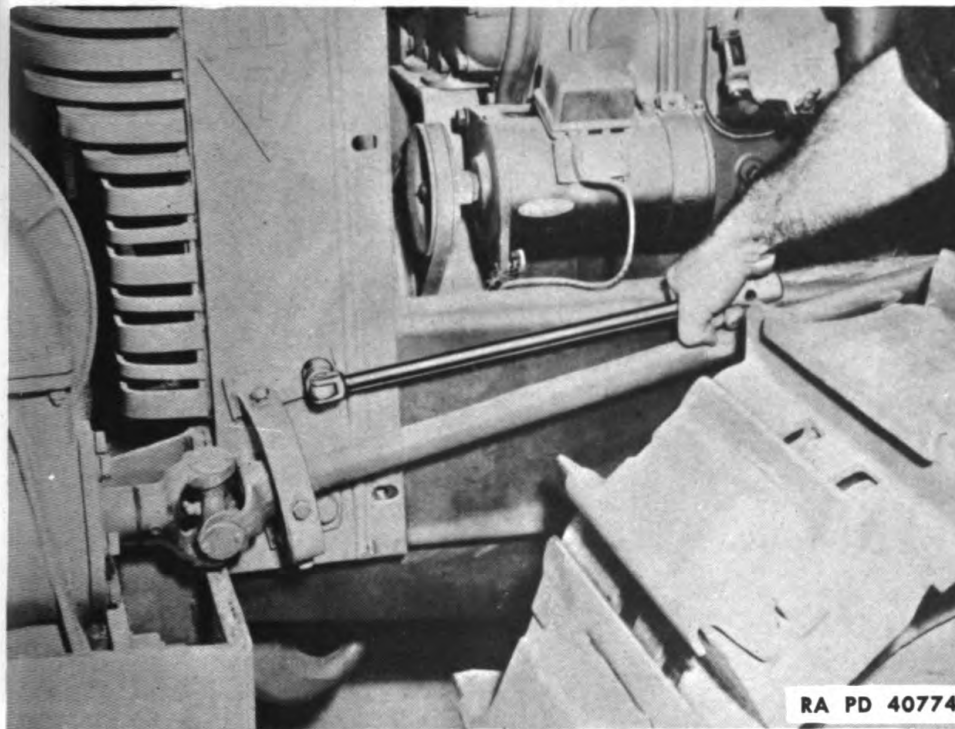
Remove three bolts and two cap screws in left fender and one bolt and three cap screws in right fender and remove fenders.

**(5) DISCONNECT WIRES AND UPPER RADIATOR HOSE.**

SCREWDRIVER, 6-in.

Disconnect headlight wires at connectors near generator. Loosen lower clamp of top radiator hose and remove hose from thermostat housing.

**RADIATOR**

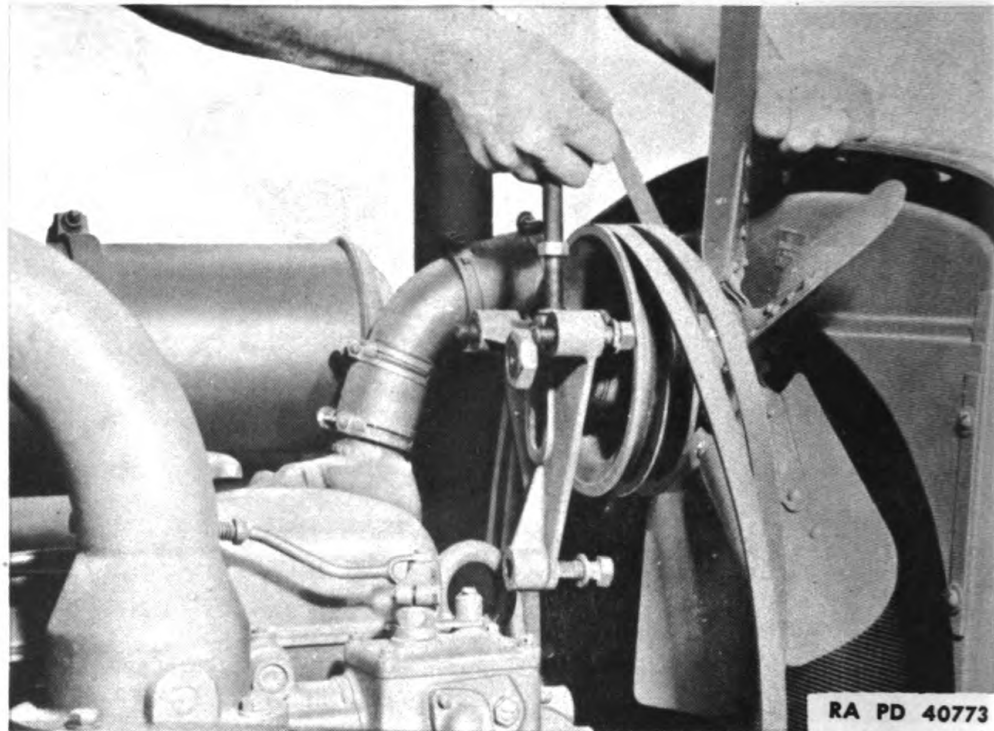


**Figure 105 – Removing Winch Drive Shaft Guard Bracket**



**Figure 106 – Removing Engine Support Bottom Cover**

**ORDNANCE MAINTENANCE—MEDIUM TRACTOR M1  
(ALLIS-CHALMERS HD-7W) ENGINE ACCESSORIES**



**Figure 107 – Lifting Out Fan Assembly**

**(6) REMOVE ENGINE SUPPORT BOTTOM COVER.**

**WRENCH, 7/8-in.**

Remove the four cap screws holding cover to engine support. It may be necessary to pry cover from support.

**(7) DISCONNECT LOWER WATER CONNECTION.**

**WRENCH, socket, 1/2-in.**

Remove the two cap screws holding connection to oil cooler inlet.

**(8) REMOVE FAN ASSEMBLY.**

**PLIERS**

**WRENCH, 3/4-in.**

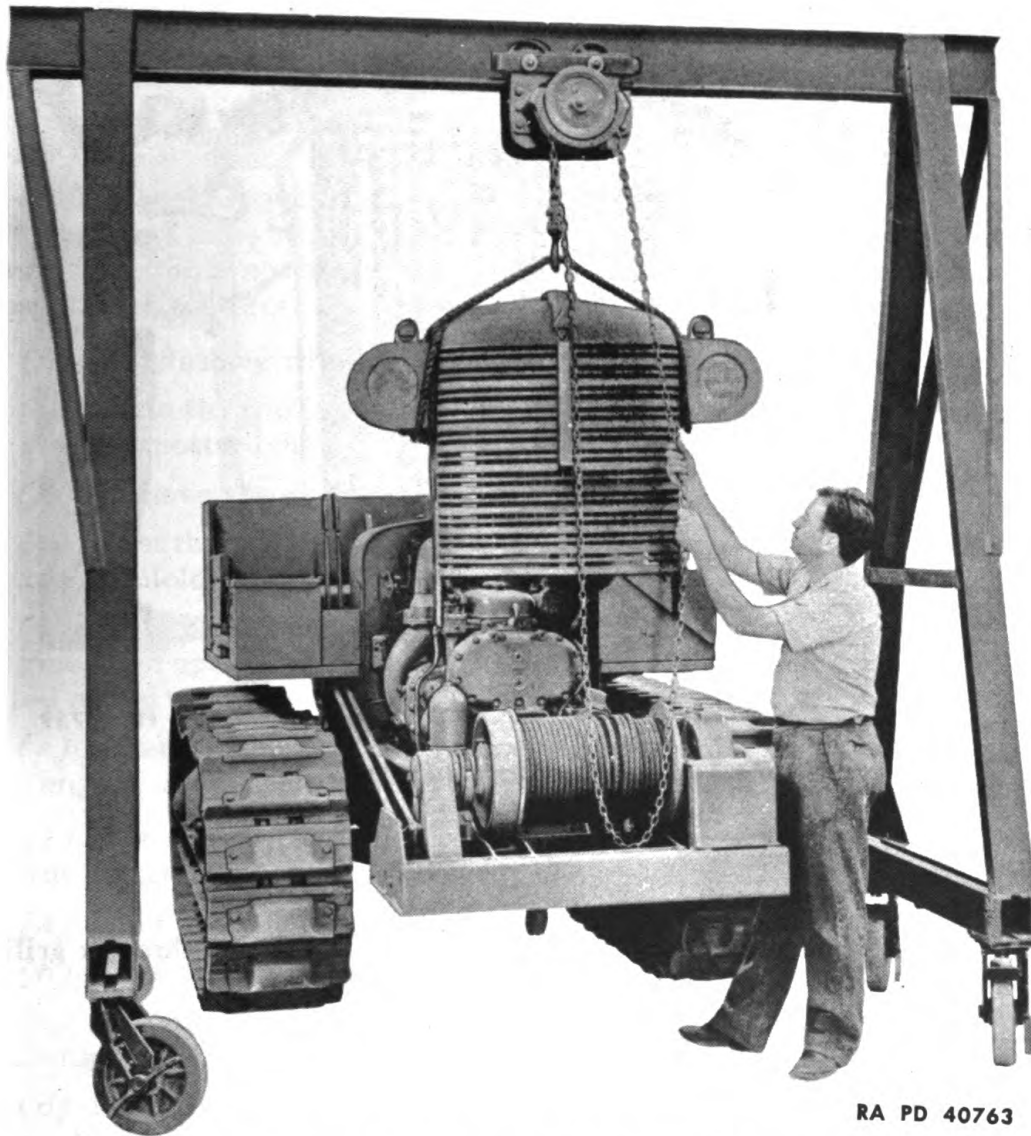
Remove pin from radiator shutter control rod (pliers) and pull top of radiator as far forward as possible. Remove the three cap screws holding bracket of fan assembly to balance weight cover of engine (3/4-in. wrench). Remove belts from pulley and lift out fan assembly.

**(9) LIFT OUT RADIATOR ASSEMBLY.**

**HOIST, chain**

**ROPE**

Remove the two cap screws previously loosened on each side at bottom of radiator shell. Place rope around radiator, under headlights, and hook rope into chain hoist. Lift out radiator assembly. Disengage shutter control rod as radiator is lifted out.

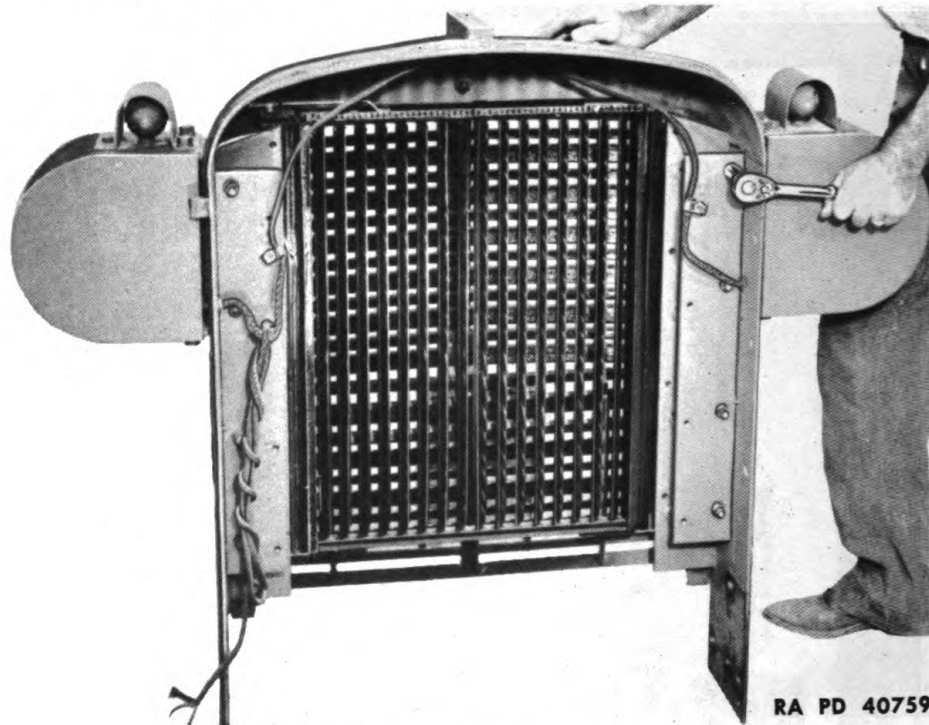
**RADIATOR**

RA PD 40763

**Figure 108 – Lifting Out Radiator Assembly****95. DISASSEMBLY.****a. Equipment.****WRENCH,  $\frac{9}{16}$ -in.****WRENCH,  $\frac{5}{8}$ -in.****b. Procedure.****(1) REMOVE RADIATOR FROM SHELL.****WRENCH,  $\frac{9}{16}$ -in.**

**Remove eight cap screws holding radiator shell and lift radiator from shell. Notice placement of four light wire clips.**

**ORDNANCE MAINTENANCE—MEDIUM TRACTOR M1  
(ALLIS-CHALMERS HD-7W) ENGINE ACCESSORIES**



**Figure 109 – Removing Nuts from T-Bolts**

**(2) REMOVE GRILL.**

**WRENCH,  $\frac{5}{8}$ -in.**

Remove the eight T-bolts, punching the T-bolts out through grill after nuts have been removed, and remove radiator grill.

**(3) REMOVE SHUTTER ASSEMBLY.**

**WRENCH,  $\frac{9}{16}$ -in.**

Remove the eight cap screws holding shutter assembly to shell and lift out radiator shutter assembly.

**96. MAINTENANCE AND REPAIRS.**

a. Keep cooling system filled with clean water that is free from lime or alkalis. Use a standard, permanent antifreeze solution in the cooling system in winter weather. The solution should be tested daily and kept to the proper strength for prevailing temperatures.

b. The cooling system has two drain cocks, and both of these should be opened when the cooling system is drained or the unit stored. One drain cock is in the bottom of the water pump housing, and the other is in the bottom of the elbow connecting the radiator to the lubricating oil cooler assembly. **CAUTION:** When refilling cooling system, remove

**RADIATOR**

the ¼-inch pipe plug in the thermostat housing. This will permit air to escape from the head and block. As soon as water runs out of the hole freely, the plug should be replaced and the system filled to its specified capacity.

c. The cooling system should be flushed out periodically to remove accumulated loose rust or foreign material. This may be done with clean water or, if necessary, with a cleaning solvent which is not injurious to steel, cast iron, or copper.

(1) For flushing with clean water, proceed as follows:

(a) Drain the cooling system and disconnect the water bypass tube at the thermostat housing.

(b) Remove the thermostat.

(c) After the thermostat has been removed, bolt housing back to the water manifold, and reconnect the water bypass tube.

(d) System may now be flushed. Fill the cooling system, start the engine, then open both drain cocks and, using a hose, keep the radiator filled as the water runs through the system and drains out.

(e) When all the rust, etc., has been flushed from the system, stop the engine, install the thermostat, close the drains, and refill the system.

(2) If a solvent solution is used to clean the cooling system, a different procedure should be followed:

(a) Drain the cooling system.

(b) Close the drains and fill the system with cleaning solution.

(c) Start the engine and run it for about an hour, regulating the radiator shutter to hold the engine temperature at 190 degrees.

(d) Drain the solution, flush radiator thoroughly, and refill.

(3) If trash or foreign material has gathered at the top of the tubes in the radiator core, back-flushing of the radiator is necessary.

(a) Drain the cooling system and remove radiator cap.

(b) Disconnect the hose from the elbow in which the main drain cock is located.

(c) Insert a water hose inside this hose, and stuff a cloth around it if an adapter is not available.

(d) Let water run slowly into radiator through hose until water runs out the top of radiator; then increase the water pressure.

(e) Run water through the radiator in this way long enough to force the obstructions off the tops of the tubes and out the radiator filler pipe.

(f) Reconnect the lower hose and refill the cooling system.



## TM 9-1783B

96-98

### ORDNANCE MAINTENANCE—MEDIUM TRACTOR M1 (ALLIS-CHALMERS HD-7W) ENGINE ACCESSORIES

(4) If radiator is filled with trash or lime that cannot be removed by the above operations, it will be necessary to place radiator in a tank filled with a solvent solution and boil it to loosen accumulations of rust, lime, grease, etc. It should then be flushed thoroughly.

(5) If radiator leaks, the holes should be closed by soldering. Radiator should then be placed in a tank of water and tested for stoppage of all leaks. Proper adapters should be used to close filler pipe and inlet, and five-pound air pressure introduced through one of the adapters. If there are any leaks, the air will cause bubbles to appear which will indicate where the leaks are.

#### 97. ASSEMBLY.

##### a. Equipment.

WRENCH,  $\frac{9}{16}$ -in.

WRENCH,  $\frac{5}{8}$ -in.

##### b. Procedure.

###### (1) INSTALL SHUTTER ASSEMBLY (par. 6 a).

WRENCH,  $\frac{9}{16}$ -in.

Place shutter assembly in radiator shell. Attach to shell with eight  $\frac{3}{8}$ - x  $\frac{3}{4}$ -inch cap screws.

###### (2) INSTALL RADIATOR GRILL.

WRENCH,  $\frac{5}{8}$ -in.

Install radiator grill, using eight special T-head bolts, and hexagon nuts.

###### (3) INSTALL RADIATOR IN SHELL.

WRENCH,  $\frac{9}{16}$ -in.

Place radiator in shell and attach with eight  $\frac{3}{8}$ - x  $\frac{3}{4}$ -inch cap screws. Insert headlight and blackout light wire clips under top and bottom cap screws on each side as they are installed.

#### 98. INSTALLATION.

##### a. Equipment.

HOIST, chain

PLIERS

ROPE

SCREWDRIVER, 6-in.

WRENCH,  $\frac{1}{2}$ -in.

WRENCH,  $\frac{9}{16}$ -in.

WRENCH,  $\frac{5}{8}$ -in.

WRENCH,  $\frac{3}{4}$ -in.

WRENCH,  $\frac{7}{8}$ -in.

WRENCH, fan adjusting



**ORDNANCE MAINTENANCE — MEDIUM TRACTOR M1  
(ALLIS-CHALMERS HD-7W) ENGINE ACCESSORIES**

**(8) CONNECT LOWER WATER CONNECTION.**

**WRENCH, 1/2-in.**

Shellack new gasket to oil cooler inlet and install the two  $\frac{5}{16}$ - x 1-inch cap screws holding connection to oil cooler inlet.

**(9) INSTALL ENGINE SUPPORT BOTTOM COVER.**

**WRENCH, 7/8-in.**

Install cover with four  $\frac{5}{8}$ - x 1 1/2-inch cap screws.

**(10) INSTALL FENDERS.**

**WRENCH, 3/4-in.**

Install fenders with three bolts and two cap screws in left fender and one bolt and three cap screws in right fender.

**(11) INSTALL HOOD AND PRECLEANER.**

**BAR, pry**

**WRENCH, open-end, 9/16-in.**

**WRENCH, 7/16-in. (2)**

Place hood in place over exhaust stacks and secure at each corner ( $\frac{9}{16}$ -in. wrench). Place precleaner on tube and tighten clamp (two  $\frac{7}{16}$ -in. wrenches).

## CHAPTER 6 ELECTRICAL SYSTEM

### Section I

## GENERATOR

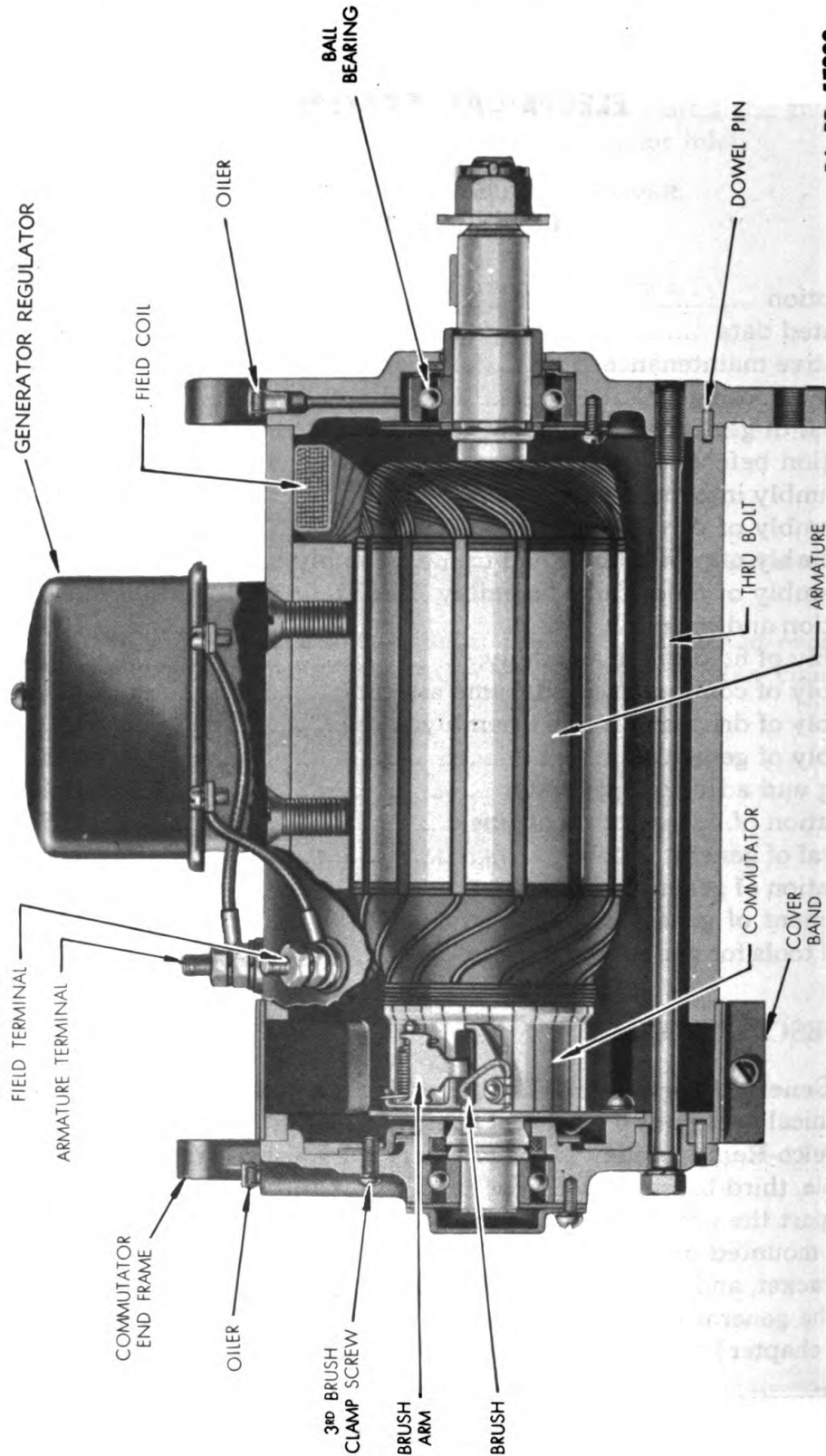
	Paragraph
Description .....	99
Tabulated data .....	100
Preventive maintenance .....	101
Trouble shooting .....	102
Removal of generator from engine.....	103
Inspection before disassembling.....	104
Disassembly into main subassemblies.....	105
Disassembly of drive end frame assembly.....	106
Disassembly of commutator end frame assembly.....	107
Disassembly of field frame assembly.....	108
Inspection and repair.....	109
Assembly of field frame assembly.....	110
Assembly of commutator end frame assembly.....	111
Assembly of drive end frame assembly.....	112
Assembly of generator.....	113
Testing and adjusting generator.....	114
Installation of generator on engine.....	115
Removal of generator belt.....	116
Installation of generator belt.....	117
Adjustment of generator belt.....	118
Special tools for generator.....	119

### 99. DESCRIPTION.

**a. General Description.** The generator is a machine for converting mechanical energy into electrical energy. The unit used on this tractor is a Delco-Remy Model 1105377. It is a 5 $\frac{1}{16}$ -inch frame diameter, two-pole, third-brush, sealed type unit, with ball bearings in both ends to support the armature. The generator is driven by means of a drive pulley mounted on the armature shaft, is hinge-mounted to the generator bracket, and is driven by a V-belt from the engine crankshaft pulley. The generator makes use of a generator regulator (see section II of this chapter) to provide control of the generator output.

**b. Function of Generator.** The function of the generator is two-fold. It restores to the battery the current withdrawn during cranking, thus maintaining the battery in a charged condition. Second, it carries

**ORDNANCE MAINTENANCE—MEDIUM TRACTOR M1  
(ALLIS-CHALMERS HD-7W) ENGINE ACCESSORIES**



RA PD 57999

**Figure 110 — Cutaway View of Generator**

## GENERATOR

the connected electrical load up to the capacity of the generator, when the generator is operating at speeds where substantial or maximum generator output is obtained, thus preventing undue or prolonged draining of the battery.

**c. Theory of Operation.** The generator produces a flow of electrical current by using mechanical energy (through the driving belt from the engine) to rotate a series of conductors, assembled in the generator armature, in a magnetic field. This causes a flow of current in the conductors, which is led through the armature commutator, generator brushes, and leads to the battery and other electrical accessories. The magnetic field is created by field windings which are assembled in the field frame around pole shoes. Current (from the conductors in the armature) is passed through the field windings and induces the magnetic field. Only a small part of the total current induced in the armature is required to produce the magnetic field. The third brush is used to provide a means of controlling the generator output and preventing it from increasing excessively. The two main brushes are connected and positioned so that the maximum amount of voltage and current being induced in the generator armature (which depends on speed and circuit conditions) can be "tapped off" the generator armature commutator. The third brush is so placed that it receives a somewhat lower voltage. This voltage, which is the voltage across the generator field windings, is sufficient to create a "normal" magnetic field and cause the generator to produce "normal" generator output. The third brush position can be altered to change the generator output. If a lower output is desired, the third brush may be moved away from the adjacent main brush. This reduces the amount of voltage on the generator field windings, which reduces the strength of the generator magnetic field and the generator output. Increased output can be obtained by moving the third brush closer to the main brush so it picks up a higher voltage, producing a stronger magnetic field, which causes a higher output. **CAUTION:** The generator output must never be adjusted beyond the rated maximum of the generator, as this would cause the generator to be overloaded and damaged. The second function of the third brush is to limit the amount of output the generator can produce for any particular position of the third brush. This is accomplished by means of the third brush characteristic or armature reactance, a subject beyond the scope of this manual. The effect of this characteristic is to cause the generator output to reach a maximum at some intermediate speed and then to taper off to a lower output at higher speed, thus providing some degree of automatic control of generator output.

**d. Detailed Description.** The generator consists of an armature, field frame assembly, drive end assembly, and commutator end assembly. Detailed descriptions of each are given below:

**ORDNANCE MAINTENANCE—MEDIUM TRACTOR M1  
(ALLIS-CHALMERS HD-7W) ENGINE ACCESSORIES**

(1) **ARMATURE.** The armature consists of a steel shaft onto which is pressed a laminated iron core and a commutator. The core has longitudinal slots which are insulated and into which are assembled the armature windings. These windings are connected to the segments of the commutator so that current which is induced in the windings can pass into the segments of the commutator and from there to the generator brushes under which the commutator segments are revolving. The armature is carefully balanced so that it will not show eccentricity when it rotates in the bearings. A pulley is mounted on the armature shaft at the drive end of the generator so the armature may be rotated by a belt driven by the engine.

(2) **FIELD FRAME ASSEMBLY.** The field frame assembly consists of two field windings, connected in series, assembled around iron pole shoes which are held in the frame by pole shoe screws. One end of the field winding assembly (which consists of the two windings connected in series) is connected to an insulated "F" or field terminal in the field frame. The other end of the field winding assembly is connected to the third brush in the commutator end frame and is supplied current through the third brush. The other insulated terminal is marked "A" and is connected to the insulated main brush in the commutator end frame. Current flows from the main insulated brush, through the "A" terminal, through the external circuit, and back through the grounded side of the system to the generator.

(3) **COMMUTATOR END ASSEMBLY.** The commutator end assembly consists of the commutator end frame, ball bearing with oiling arrangement, main brush ring with the two main brush holders and brushes, the third brush ring, on which mounts the third brush holder and third brush. The positions of the two main brushes are fixed. The third brush ring is held against the commutator by pressure from a third brush tension spring and a clamp. When the clamp screw is loosened, the third brush ring may be shifted so as to shift the third brush position with respect to the main brushes. All brushes are held by brush spring tension against the commutator with the correct pressure to assure good contact. One main brush is connected by a lead to the "A" terminal, which is on the generator field frame assembly. The other main brush is connected to ground through the grounded brush holder. The third brush is insulated and is connected to the field winding assembly.

(4) **DRIVE END ASSEMBLY.** The drive end assembly consists of the drive end frame and a ball bearing, together with the necessary oiling arrangement.



## GENERATOR

### 100. TABULATED DATA.

- a. Generator specifications for the generator are as follows:

Rotation.....clockwise viewed from drive end.  
Brush spring tension.....22-26 ounces for main brushes and  
16-20 ounces for third brush.  
Cold output.....16-18 amperes at 16.1-16.5 volts at 2400 rpm.  
Hot output.....11-13 amperes at 15.1-15.5 volts at 2600 rpm.  
Field current.....1.35-1.55 amperes at 12 volts.

### 101. PREVENTIVE MAINTENANCE.

a. **Operational Maintenance Checks.** Operational maintenance checks are defined as the checks made during the operation of the vehicle. These checks give the operator some idea as to the condition of the generator so that if some abnormal condition of operation is noted, correction can be made before complete failure of the generator and the vehicle takes place. During starting, and after the vehicle is in operation, the position of the ammeter hand should be noted. After the engine is electrically cranked and started, the generator, if operating normally, will immediately begin to return to the battery the current used in starting. Consequently, the ammeter reading should be fairly high. Then if the battery was originally in a good state of charge, the generator output will be reduced a substantial amount after some length of time of operation. The length of time will depend on the original state of battery charge and the amount of drain on the battery during cranking. This reduction of output is accomplished by operation of the generator regulator, which functions to cut the charging rate as the battery approaches a charged condition, and thus prevents battery overcharge. This action is indicated by a dropping back of the ammeter needle toward zero. Failure of the equipment to function in this manner requires further consideration as outlined in section II of this chapter.

b. **Inspection Checks.** Routine inspection checks of generator brushes, commutator, and leads should be made after every 100 hours of operation.

(1) **GENERATOR BRUSHES.** The generator brushes should not be shorter than  $\frac{7}{16}$  inch (original length  $1\frac{3}{16}$ -in., third brush  $2\frac{3}{32}$ -in.). If worn down to, or almost to, this length, they must be replaced. Brush spring tension must be sufficient to give good clean contact of the brushes on the commutator, and the brushes must be free to slide in their holders. The pig tail leads in the brushes must be tight and the lead clips fastened well to the brush holders.

**ORDNANCE MAINTENANCE—MEDIUM TRACTOR M1  
(ALLIS-CHALMERS HD-7W) ENGINE ACCESSORIES**

(2) **COMMUTATOR.** The commutator must be clean, smooth, round, and free of burned areas. The slots between the segments must be open and not filled with brush or copper dust. The armature windings must be properly soldered to the commutator segments. If the commutator does not meet with the above, the generator must be removed, disassembled, and the commutator serviced as outlined in paragraphs 103 to 109.

(3) **BELT DRIVE.** The drive belt must be tightened to the correct tension (see Generator Belt Adjustment, par. 118). Excessive belt tension causes rapid belt and bearing wear, while low belt tension causes belt slippage, rapid belt wear, and possible failure of the generator to charge in a normal manner.

(4) **CONNECTIONS.** The connections at the terminals should be checked to make sure they are all tight and in good condition. If abnormal operation of the generator or generator regulator system is noted, it is first necessary to determine whether it is the generator, the generator regulator, or some other component of the electrical system which is at fault. The procedure for making this determination is covered in section II of this chapter.

**102. TROUBLE SHOOTING.**

**a. No Generator Output.**

<b>Possible Cause</b>	<b>Possible Remedy</b>
Brushes sticking.	Clean brush holders and brush arms. Replace if bent.
Burned commutator bars.	Recut commutator.
Worn brushes.	Replace brushes.
Commutator gummed.	Clean commutator.
Open circuits in field or armature.	Replace unit.
Short circuits in field or armature.	Replace unit.
Weak brush springs.	Replace springs.

**b. Low or Unsteady Generator Output.**

Low brush spring tension.	Adjust or replace brush springs.
Brushes worn or sticking.	Clean or replace brushes.
Rough, dirty, or greasy commutator bars.	Clean commutator bars.
High mica on commutator.	Undercut mica.
Commutator out-of-round.	Recut commutator.
Burned commutator bars.	Recut commutator.
Loose drive belt.	Adjust belt.

## GENERATOR

### c. Noisy Generator.

Loose mounting.  
Loose drive pulley.  
Worn bearings.

Tighten mounting bolts.  
Tighten pulley.  
Replace bearings.

### d. Excessive Generator Output.

Generator field grounded.

Locate for external ground, correct.

Excessively advanced third brush setting.

Adjust third brush.

## 103. REMOVAL OF GENERATOR FROM ENGINE.

### a. Equipment.

WRENCH,  $\frac{3}{4}$ -in. (2)  
WRENCH, open-end,  $\frac{7}{16}$ -in.  
WRENCH, open-end,  $\frac{1}{2}$ -in.

WRENCH, open-end,  $\frac{9}{16}$ -in.  
WRENCH, open-end,  $\frac{5}{8}$ -in.

### b. Procedure.

#### (1) REMOVE WINCH DRIVE SHAFT GUARD.

WRENCH,  $\frac{3}{4}$ -in. (2)                      WRENCH, open-end,  $\frac{9}{16}$ -in.

Remove three cap screws from front end of guard ( $\frac{9}{16}$ -in. wrench) and three bolts from rear end of guard (two  $\frac{3}{4}$ - and  $\frac{9}{16}$ -in. wrenches) and lift off guard.

#### (2) REMOVE FRONT FENDER.

WRENCH,  $\frac{3}{4}$ -in. (2)

Remove three bolts and two cap screws and remove left front fender.

#### (3) REMOVE ADJUSTING SCREW.

WRENCH, open-end,  $\frac{1}{2}$ -in.

Remove cap screw in adjusting link.

#### (4) REMOVE WIRES FROM GENERATOR TERMINALS.

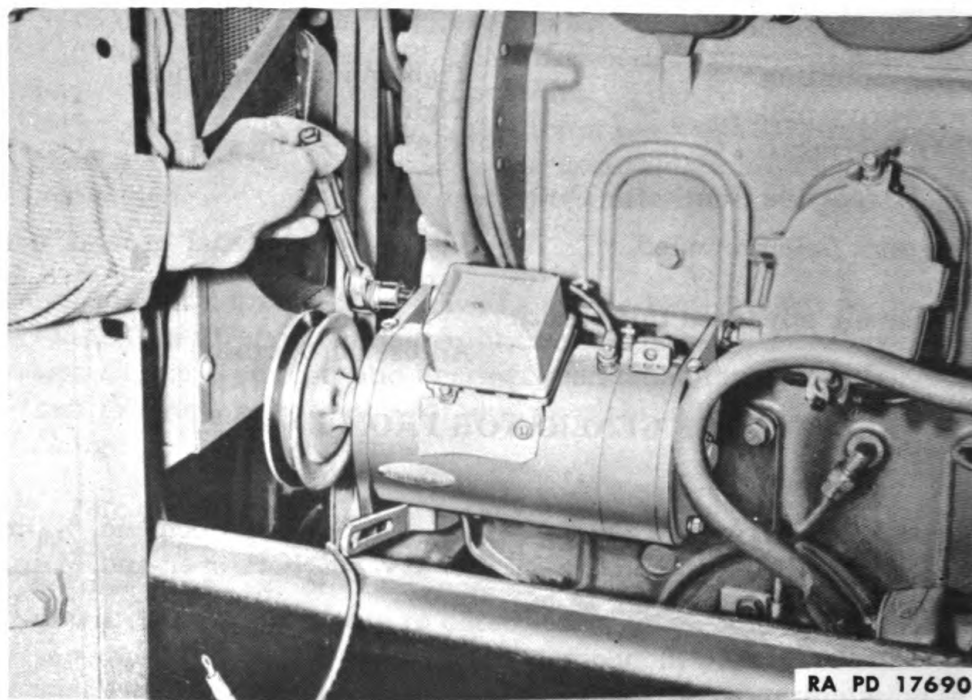
WRENCH, open-end,  $\frac{7}{16}$ -in.

Swing generator down and remove the two nuts from the two generator terminals. Lift wires from terminals and replace washers and nuts on terminals.

#### (5) REMOVE GENERATOR.

WRENCH, open-end,  $\frac{5}{8}$ -in.

Remove the two cap screws which hold generator to mounting bracket and lift generator out of belt. Generator and generator regulator can now be taken out as one unit.

**ORDNANCE MAINTENANCE—MEDIUM TRACTOR M1  
(ALLIS-CHALMERS HD-7W) ENGINE ACCESSORIES**

**Figure 111 – Removing Cap Screws Holding Generator**

**104. INSPECTION BEFORE DISASSEMBLING.**

a. Disassembly should be carried only so far as is necessary to adequately inspect and clean the parts. For example, it will not be necessary to disassemble the commutator end assembly except as required to replace defective parts. Likewise, the field windings and terminal studs need not be removed from the field frame except for replacement. Indiscriminate disassembly and assembly of such parts may actually damage them, since it tends to weaken leads and connections by stressing and bending them and may damage insulation so that a short or ground will develop. Before disassembling the generator, if the trouble is not readily apparent, use a test lamp and test points to determine the cause of failure and which subassemblies are in need of inspection and repair. A test lamp and test points can be used to detect short circuits, grounds, and open circuits. The test points are connected in series with the test lamp and a source of electricity (110 volt circuit, for example). When the test points are held together, the lamp lights. Thus a short circuit in an electrical circuit is indicated by lighting of the test lamp when the points are placed across the circuit. Likewise, an open circuit is indicated by failure of the lamp to light when the points are placed across the circuit. Check as follows:

(1) **TEST FOR GROUNDED GENERATOR.** Raise and insulate grounded brush from the commutator and check with test points from the "A"

## GENERATOR

terminal (fig. 117) to the frame. If test lamp lights, indicating ground, raise third brush from commutator and check the "A" terminal and the "F" terminal separately to determine whether the armature or field circuit is grounded.

(2) **TEST FOR OPEN FIELD CIRCUIT.** Check for open field circuit with test points from the "F" terminal to the third brush holder. If lamp does not light, field is open. Leads which have broken connections, or which have come loose to produce this condition may be resoldered (rosin flux). But if open is inside a field winding, it must be replaced (pars. 108-110).

(3) **TEST FOR SHORTED FIELD.** Connect a battery and an ammeter in series with the field circuit to determine how much current the field draws. Normal field current with a 12-volt battery is 1.35 to 1.55 amperes. Proceed with care on this test, since a shorted field will draw a high current which might damage the ammeter or other equipment. If a shorted field is found, replace the field (pars. 108-110).

(4) **OPEN CIRCUITED ARMATURE.** An open circuited armature is usually readily apparent, since this condition causes burned commutator bars. Further details of this condition and corrections are given in paragraph 109.

(5) **TEST ARMATURE FOR SHORT CIRCUITS.** Check the armature on a growler for short circuits. See paragraph 109 for explanation of the growler and its operation.

### 105. DISASSEMBLY INTO MAIN SUBASSEMBLIES.

#### a. Equipment.

HAMMER, soft  
PLIERS  
PRESS, arbor  
PULLER

SCREWDRIVER, 6-in.  
VISE, soft-jaw  
WRENCH,  $\frac{7}{16}$ -in.  
WRENCH,  $\frac{3}{4}$ -in.

#### b. Procedure (fig. 112).

(1) **REMOVE COVER BAND.**  
SCREWDRIVER, 6-in.

Loosen screw and remove cover band. Note relationship of leads and brushes.

(2) **DISCONNECT INSULATED AND THIRD BRUSH LEADS.**  
SCREWDRIVER, 6-in.

Remove screws from insulated and third brush holders. This disconnects lead from "A" terminal stud and lead from field winding. It also disconnects the two brush lead clips.





ORDNANCE MAINTENANCE — MEDIUM TRACTOR M1  
(ALLIS-CHALMERS HD-7W) ENGINE ACCESSORIES

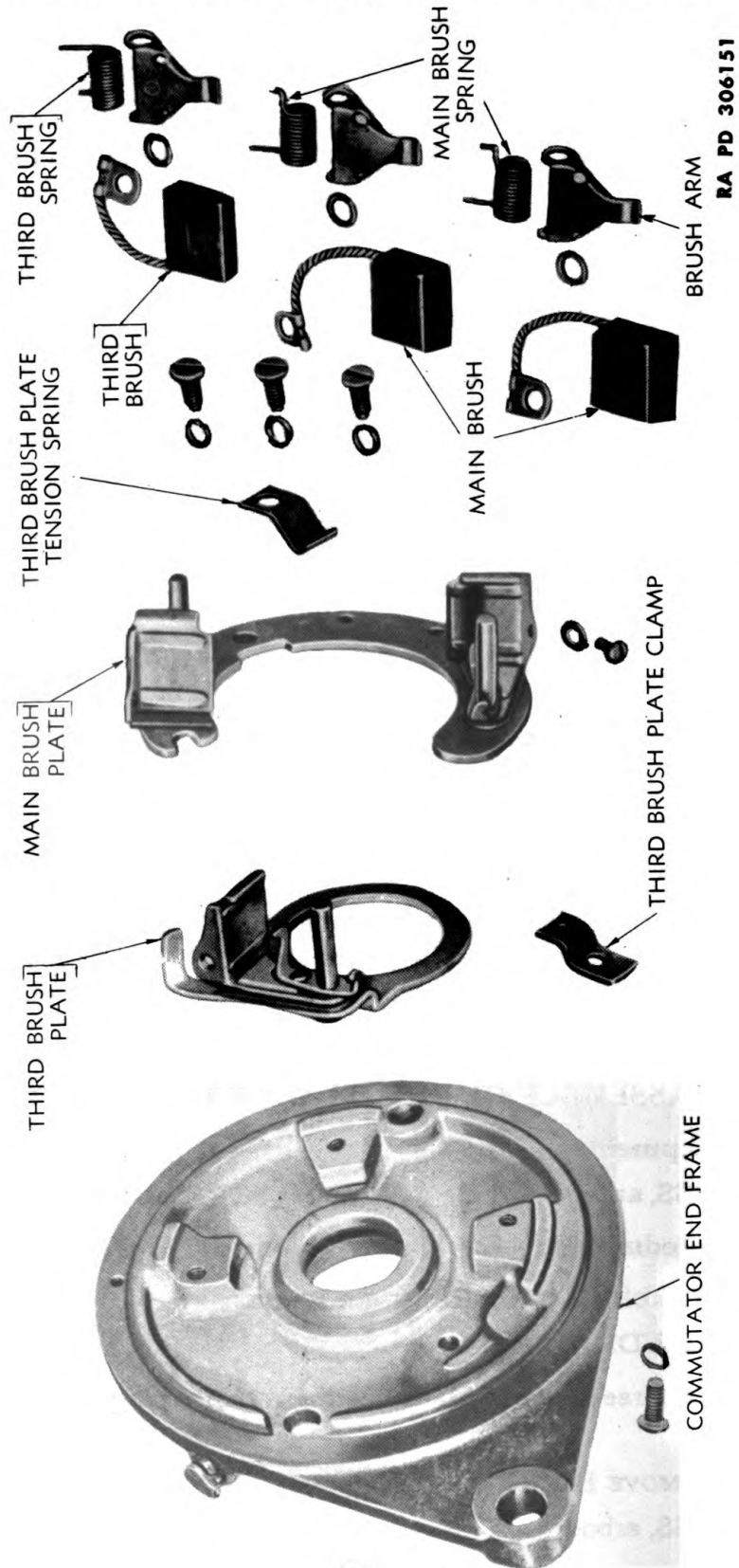


Figure 113 — Exploded View of Commutator End Frame Assembly



## GENERATOR

Remove bearing from frame. While this may normally be done with a few light taps, it may have to be pressed out in an arbor press. Remove retainer and felt washer.

### 107. DISASSEMBLY OF COMMUTATOR END FRAME ASSEMBLY.

#### a. Equipment.

PLIERS  
PRESS, arbor

SCREWDRIVER, 6-in.

#### b. Procedure (figs. 112 and 113).

- (1) REMOVE COMMUTATOR END COVER PLATE.  
SCREWDRIVER, 6-in.

Remove cover plate by detaching three screws. Remove gasket.

- (2) REMOVE BEARING.  
PRESS, arbor

If bearing does not come out readily, use arbor press.

- (3) REMOVE GROUNDED BRUSH LEAD SCREW.  
SCREWDRIVER, 6-in.

Remove grounded brush lead screw connecting brush lead to brush holder.

- (4) LIFT OFF BRUSHES, SPRINGS, ARMS, AND WASHERS.  
PLIERS

Pull back brush arms and lift brushes out of holders. Using pliers, catch lower end of spring and lift up over spring stop. Arm, spring, and washer will slide off pin.

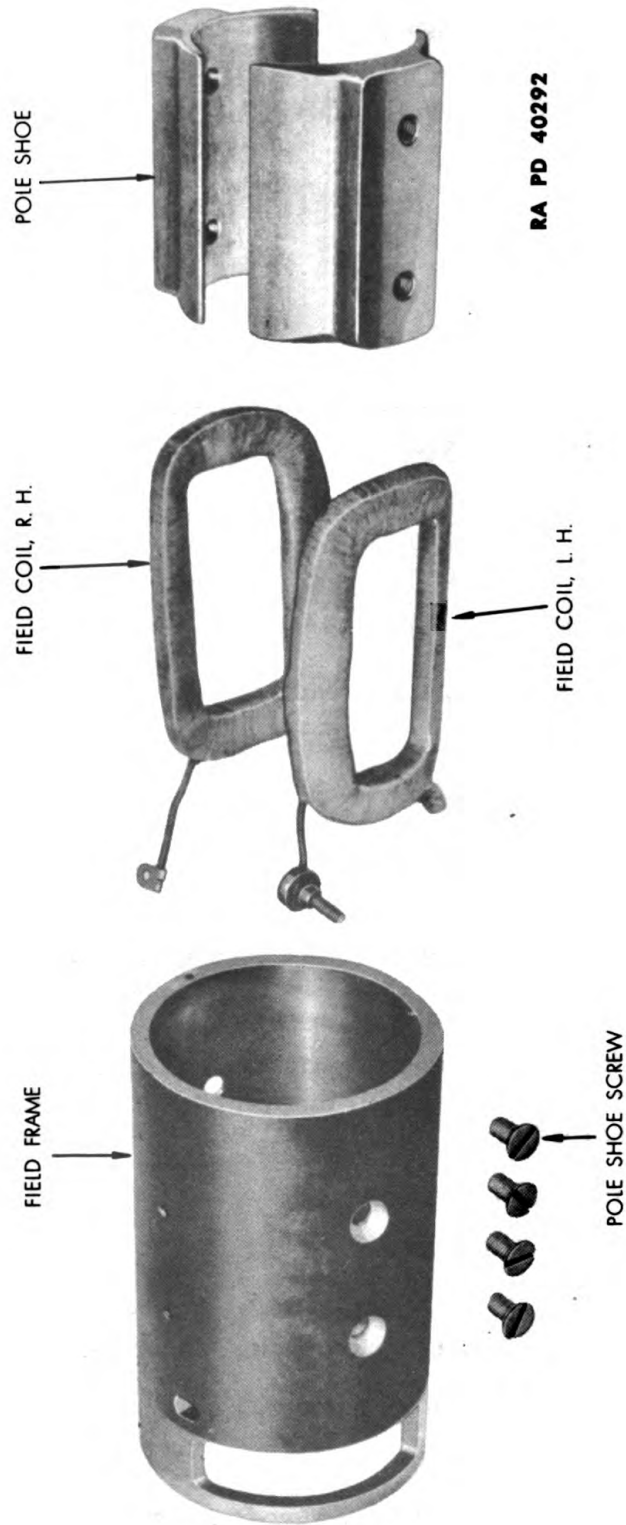
- (5) DETACH MAIN BRUSH PLATE.  
SCREWDRIVER, 6-in.

Detach main brush plate by removing three screws. One screw also attaches third brush plate tension spring, so spring will also come off.

- (6) DETACH THIRD BRUSH PLATE.  
SCREWDRIVER, 6-in.

Unscrew third brush locking screw from outside of frame so third brush plate clamp and plate may be detached from frame.

**ORDNANCE MAINTENANCE—MEDIUM TRACTOR M1  
(ALLIS-CHALMERS HD-7W) ENGINE ACCESSORIES**



**Figure 114 — Exploded View of Field Frame**

**GENERATOR****108. DISASSEMBLY OF FIELD FRAME ASSEMBLY.****a. Equipment.**

IRON, soldering

WRENCH,  $\frac{7}{16}$ -in.

SCREWDRIVER, pole shoe

**b. Procedure (fig. 114).****(1) DETACH TERMINAL STUDS.**WRENCH,  $\frac{7}{16}$ -in.

Remove one nut, lock washer, flat washer, and insulator from each terminal stud ("A" and "F"). The "A" terminal stud may be removed from frame. The "F" terminal stud is soldered to the field winding lead.

**(2) REMOVE FIELD WINDINGS.**

IRON, soldering

SCREWDRIVER, pole shoe

Remove field windings by removing four pole shoe screws (pole shoe screwdriver), pole shoes, and windings. Stud and clip on field winding leads may be unsoldered and replaced, if required (soldering iron). Be careful in handling field windings to avoid damaging leads or insulation.

**109. INSPECTION AND REPAIR.**

**a. General.** After disassembly, all parts should be cleaned, examined, and defective parts replaced. The procedure for cleaning, inspecting, and repairing parts is given in the following paragraphs:

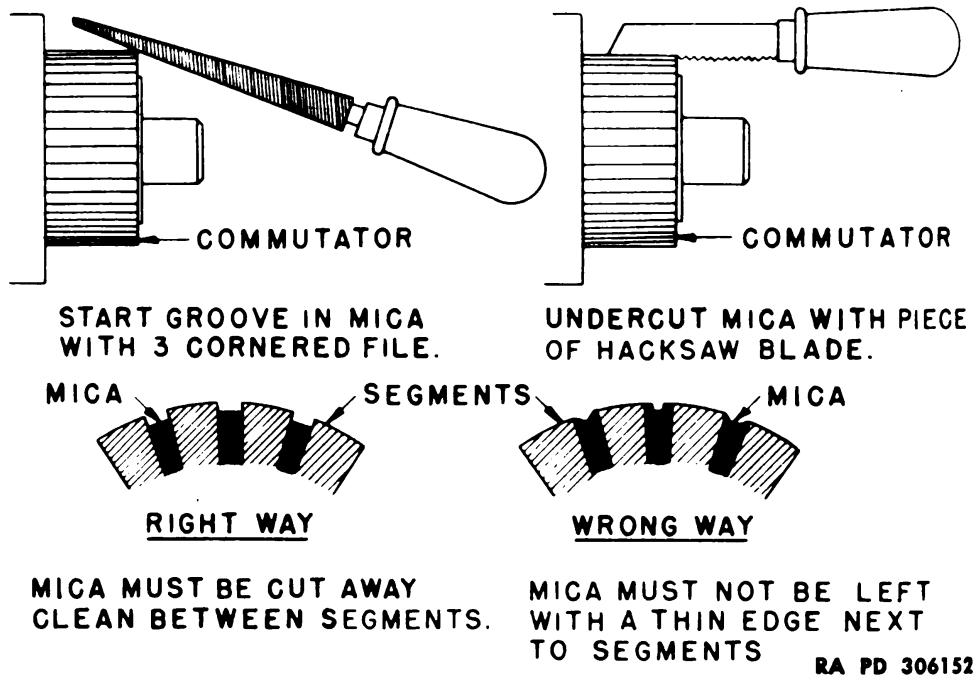
**(1) ARMATURE.**

(a) Do not clean the armature by any degreasing method, since this would damage the insulation and might ruin the armature. Wipe with a clean cloth *slightly* dampened with CARBON TETRACHLORIDE or SOLVENT, dry-cleaning. If commutator is rough, out-of-round, worn, has high mica, filled slots, or is burned, it may be turned down in a lathe and the mica undercut (fig. 115). Armature may be checked for ground, open, or short circuit as follows:

1. *Ground.* Check with test lamp and test points from the commutator to the armature shaft or lamination. If the lamp lights—indicating ground—and if the ground is not readily apparent and repairable, the armature must be replaced.

2. *Open.* An open circuited armature is easily detectable, since this condition produces badly burned commutator bars. Some bars badly burned, with other bars fairly clean, indicates an open circuited armature. The bars connected to the open coils in the armature soon burn since every time they pass under the brushes they interrupt a flow of

**ORDNANCE MAINTENANCE—MEDIUM TRACTOR M1  
(ALLIS-CHALMERS HD-7W) ENGINE ACCESSORIES**



**Figure 115 – Undercutting Mica on Commutator**

current so that heavy arcing occurs. The open will usually be found at the commutator riser bars and is often a result of generator overload—the consequence of an excessively high generator output resulting from a too advanced third brush adjustment. If the bars are not too badly burned, the armature may sometimes be saved by resoldering the leads in the riser bars with rosin flux, turning the commutator down and undercutting the mica. Make sure the third brush is adjusted according to specifications.

3. *Commutator worn, dirty, etc.* If the commutator is rough, worn, out-of-round, has high mica, filled slots, or burned spots, place the armature in a lathe and turn down the commutator. Make cut no deeper than necessary. Minimum diameter of commutator is two inches. If it is necessary to turn the commutator below this diameter, discard the armature. Undercut mica  $\frac{1}{32}$  inch (fig. 115).

4. *Short.* A shorted armature may be detected on a growler. The growler is a strong electromagnet connected to a source of alternating current. When shorted armature is placed on the growler, and a hacksaw blade held above the shorted coils in the armature, the blade will be alternately attracted to and repelled from the armature, causing the blade to buzz against the armature. Before discarding an armature testing shorted, inspect the commutator slots carefully, since copper or brush dust sometimes collects in the slots and shorts adjacent bars.

**GENERATOR****(2) FIELDS.**

(a) The fields should not be cleaned by a degreasing method, since this would damage the insulation and might ruin the windings. Clean by wiping with a clean, dry cloth. Be careful in handling the winding assembly to avoid breaking or weakening the connecting lead between the two windings. Test the field current draw by connecting a 12-volt battery and an ammeter in series with the two field leads. The current draw should be 1.35 to 1.55 amperes at 12 volts. Replace windings if they do not meet specifications. The field insulation should be in good condition. If it is charred or worn away so that the wire is exposed, it is sometimes possible to rewrap the windings with insulating tape and paint them with insulating compound. All soldered connections should be made with rosin-flux solder. If the terminal stud or clip is damaged, replace.

(b) *Field Insulation Defective.* If the field insulation is defective, charred, or worn away, so the field circuit is, or could become, grounded it may sometimes be repaired by rewrapping the field windings with insulating tape. This operation must be executed with care and neatness, since excessive bulkiness of the tape will prevent reassembling the windings under the pole shoes in the proper manner. All soldered connections should be made with rosin-flux solder.

(3) **BRUSHES.** If the brushes are worn down to  $\frac{7}{16}$  inch (original length  $1\frac{3}{16}$ -in., third brush  $2\frac{3}{32}$ -in.), replace. Make sure that the pig tail leads are firmly in place in the brushes and that the clip is properly soldered to the lead. New brushes may be seated with a brush seating stone. The brush seating stone is an abrasive material which, held against a revolving commutator, disintegrates, carries under the brushes, and seats them in a second or two.

(4) **BRUSH SPRINGS.** The brush springs should have sufficient tension to provide the proper pressure between the brushes and commutator after the unit is assembled. This may be checked by assembling the brushes, brush springs, and arms to the commutator end frame (par. 113) placing the commutator in position in the end frame and then checking with a spring gage the amount of pull required to raise the brush arms from the brushes (par. 100). Replace springs if tension is not correct.

(5) **BEARINGS.** If the bearings appear to roll roughly, or sloppily, replace them. Otherwise the bearings may be cleaned by rotating them in SOLVENT, dry-cleaning, drying them with air, and immediately re-lubricating with ball bearing grease.

(6) **BRUSH PLATES.** If the brush plates, brush arm pins, brush holders, and spring stop pins are damaged (bent, warped, cracked, insula-

**ORDNANCE MAINTENANCE—MEDIUM TRACTOR M1  
(ALLIS-CHALMERS HD-7W) ENGINE ACCESSORIES**

tion burned, etc.), replace brush plate. The plates are of a riveted construction so that they must be serviced as units.

(7) **MISCELLANEOUS.** Any defective insulator, screw, washer, lead, stud, retainer, plate, etc., should be replaced. Cracked, bent, battered, worn, or burned insulators and washers are defective. Screws or studs which are bent, battered, broken, or which have crossed or damaged threads, are defective. Leads which have broken strands and badly frayed insulation are defective.

(8) **BEARING FITS.** The bearing measurements and measurements of parts into which bearings are assembled, or which are assembled into the bearings, are as follows:

Drive end bearings:	Armature shaft:
I.D. 0.7870-0.7874	0.7865-0.7871
O.D. 1.8499-1.8504	Drive end frame:
Commutator end bearings:	1.8508-1.8513
I.D. 0.6690-0.6693	Armature shaft:
O.D. 1.5743-1.5748	0.6684-0.6690
	Commutator end frame:
	1.575-1.576

**110. ASSEMBLY OF FIELD FRAME ASSEMBLY.**

**a. Equipment.**

**SCREWDRIVER**, pole shoe

**SPREADER**, pole shoe  
**WRENCH**,  $\frac{7}{16}$ -in.

**b. Procedure (fig. 114).**

**(1) ASSEMBLE FIELD WINDINGS (par. 6 a).**

**SCREWDRIVER**, pole shoe

**SPREADER**, pole shoe

Place field winding assembly, with pole shoes, in field frame. Insert pole shoe spreader and tighten shoes against frame. Install and tighten four pole shoe screws with pole shoe screwdriver. Winding with stud soldered to lead must be so placed that stud can be inserted through hole in frame.

**(2) ATTACH TERMINAL STUDS.**

**WRENCH**,  $\frac{7}{16}$ -in.

Insert stud on winding lead through "F" terminal hole in frame and secure with insulator, flat washer, lock washer, and nut. Place stud with lead attached through "A" terminal hole and secure with insulator, flat washer, lock washer, and nut.

**GENERATOR**

**111. ASSEMBLY OF COMMUTATOR END FRAME ASSEMBLY.**

**a. Equipment.**

**PLIERS** **SCREWDRIVER, 6-in.**  
**PRESS, arbor**

**b. Procedure (fig. 113).**

**(1) MOUNT THIRD BRUSH PLATE.**

**SCREWDRIVER, 6-in.**

Note relationship of third brush plate and frame and attach third brush plate with clamp and screw.

**(2) MOUNT MAIN BRUSH PLATE.**

**SCREWDRIVER, 6-in.**

Attach main brush plate to frame with three screws. Under one screw, place the third brush plate tension spring, with spring resting on third brush. Spring fits into notch in main brush plate.

**(3) REASSEMBLE BRUSHES, SPRINGS, ARMS, AND WASHERS.**

**PLIERS** **SCREWDRIVER, 6-in.**

Assemble brush springs, arms, and washers to hinge pins on brush plates. Washers go on first. Straight end of spring protrudes through hole in brush arm, while bent end of spring should be caught with pliers and hooked over spring stop. Place brushes in holders. Fasten clip of brush in grounded holder, to holder, with screw.

**(4) INSTALL BEARING.**

**PRESS, arbor** **SCREWDRIVER, 6-in.**

If bearing does not slip easily into frame, press in with arbor press. Fasten with gasket, cover plate, and three screws (screwdriver).

**112. ASSEMBLY OF DRIVE END FRAME ASSEMBLY.**

**a. Equipment.**

**PRESS, arbor** **SCREWDRIVER, 6-in.**

**b. Procedure (fig. 112).**

**(1) INSTALL BALL BEARING.**

**PRESS, arbor** **SCREWDRIVER, 6-in.**

Install felt washer, retainer, and bearing in frame. Cupped side of retainer is away from bearing so it does not touch inner race of bearing. If ball bearing does not slip into frame easily, it may be pressed in with an arbor press. Secure bearing in place with gasket retainer plate and three screws (screwdriver).

**ORDNANCE MAINTENANCE — MEDIUM TRACTOR M1  
(ALLIS-CHALMERS HD-7W) ENGINE ACCESSORIES****113. ASSEMBLY OF GENERATOR.****a. Equipment.**

HAMMER, ½-lb	VICE, soft-jaw
PLIERS	WRENCH, 7/16-in.
PRESS, arbor	WRENCH, ¾-in.
SCREWDRIVER, 6-in.	

**b. Procedure (fig. 112).****(1) INSTALL ARMATURE IN DRIVE END FRAME.**

PRESS, arbor

Place space washer on long end of armature shaft. Insert shaft through bearing in drive end frame. It may have to be pressed in with an arbor press. Place collar on shaft.

**(2) INSTALL PULLEY ON SHAFT.**

HAMMER, ½-lb	VICE, soft-jaw
PLIERS	WRENCH, ¾-in.
PRESS, arbor	

Place key in keyway (hammer), press pulley on shaft in arbor press. Place armature in soft jaws of vise, install washer and pulley nut (¾-in. wrench) and secure with cotter pin (pliers).

**(3) ATTACH FIELD FRAME.**

Aline dowel and holes, and place field frame in position on drive end frame.

**(4) ATTACH COMMUTATOR END FRAME.**

PRESS, arbor	WRENCH, 7/16-in.
SCREWDRIVER, 6-in.	

Aline dowel and holes and place commutator end frame in position on field frame. The three brushes may be cocked in their holders so they will be out of the way of the commutator during this assembly procedure. If the shaft does not slip into the bearing in a normal manner, remove the cover plate and gasket (three screws—screwdriver) so the bearing can be pressed on the shaft in an arbor press. Replace cover plate. Bolt generator together with two through bolts.

**(5) ATTACH INSULATED AND THIRD BRUSH LEADS.**

SCREWDRIVER, 6-in.

Attach insulated and third brush leads to insulated and third brush holders, with one screw each. The screws also connect the brush leads



## GENERATOR

to the holders. Clips go *under* lock washers. Drop brushes down on commutator with arms resting on brushes in operating position.

(6) **INSTALL COVER BAND.**

**SCREWDRIVER**, 6-in.

Install cover band and secure with screw.

(7) **INSTALL GENERATOR REGULATOR.**

**SCREWDRIVER**, 6-in.

Attach generator regulator on top of generator with two screws. Attach short wire from "F" terminal on generator regulator to "F" terminal on generator. Round clip goes under second lock washer and second nut on generator "F" terminal stud. Attach other lead from "GEN" terminal on generator regulator to "A" terminal on generator in same manner.

### 114. TESTING AND ADJUSTING GENERATOR.

a. **Equipment.**

**RESISTANCE**,  $\frac{1}{4}$  ohm  
variable

**SCREWDRIVER**, 6-in.  
**STAND**, generator test

b. **Procedure.**

(1) Mount generator on test stand, connect to test stand ammeter and voltmeter in accordance with test stand instruction pamphlet. Connect ammeter lead to generator "A" terminal and ground generator "F" terminal with a jumper lead. Operate generator at speed at which maximum output is obtained. If output exceeds 16-18 amperes with generator cold, immediately remove cover band (screwdriver), loosen third brush ring locking screw in commutator end frame (screwdriver) and move third brush away from main brush to obtain 16-18 amperes. Generator output at specified voltage must be checked. If specified voltage cannot be obtained,  $\frac{1}{4}$  ohm variable resistance of sufficient current carrying capacity should be inserted into the charging circuit and resistance cut in until the specified voltage is obtained. Operate until generator reaches operating temperature (about 30 minutes). At operating temperature, the generator should produce 11-13 amperes at 15.1-15.5 volts, at 2600 revolutions per minute (read speed if an indicator is available). Adjust by moving the third brush toward the main brush to increase output, or move third brush away from main brush to lower output. After adjustment is complete, tighten the locking screw and replace cover band (screwdriver).

**ORDNANCE MAINTENANCE—MEDIUM TRACTOR M1  
(ALLIS-CHALMERS HD-7W) ENGINE ACCESSORIES**

(2) Always check the generator output at the specified voltage. Never set the output beyond the specified value. Failure to observe these rules may cause a high setting which will damage the generator.

**115. INSTALLATION OF GENERATOR ON ENGINE.**

**a. Equipment.**

SCREWDRIVER, 6-in.  
WRENCH,  $\frac{5}{8}$ -in.  
WRENCH,  $\frac{3}{4}$ -in. (2)

WRENCH, open-end,  $\frac{1}{2}$ -in.  
WRENCH, open-end,  
 $\frac{9}{16}$ -in.

**b. Procedure.**

**(1) INSTALL GENERATOR ON BRACKET.**

WRENCH,  $\frac{5}{8}$ -in.

Hold generator in place and install on bracket with two  $\frac{7}{16}$ - x  $1\frac{3}{4}$ -inch cap screws.

**(2) INSTALL AND ADJUST BELT IN PULLEY.**

SCREWDRIVER, 6-in.  
WRENCH,  $\frac{5}{8}$ -in.

WRENCH, open-end,  $\frac{1}{2}$ -in.

Place drive belt in generator pulley. Install cap screws through washer and adjusting link into generator. Adjust belt to have from  $\frac{3}{4}$ - to 1-inch slack measured half way between pulleys and tighten cap screw in adjusting link ( $\frac{1}{2}$ -in. wrench). Tighten cap screws holding generator ( $\frac{5}{8}$ -in. wrench). After the generator is reinstalled on the engine and reconnected, or at any time after leads have been disconnected and then reconnected, a jumper lead should be connected *momentarily* between the battery and generator terminals of the generator regulator *before starting the engine*. This allows a momentary surge of current from the battery to flow into the generator which correctly polarizes the generator with respect to the battery it is to charge. **CAUTION:** Never operate the generator with the field circuit connected and the charging circuit open (open circuit operation), since this will allow a high voltage to build up within the generator which will damage the field and armature. Attach ammeter wire to "BAT" terminal on generator regulator (screwdriver).

**(3) INSTALL LEFT FENDER.**

WRENCH,  $\frac{3}{4}$ -in. (2)

Install fender with the three  $\frac{1}{2}$ - x  $1\frac{1}{4}$ -inch bolts and two cap screws.

## GENERATOR

### (4) INSTALL WINCH DRIVE SHAFT GUARD.

WRENCH,  $\frac{3}{4}$ -in. (2)                      WRENCH, open-end,  
 $\frac{9}{16}$ -in.

Install guard with three  $\frac{3}{8}$ - x  $\frac{1}{2}$ -inch cap screws with lock washers in front end ( $\frac{9}{16}$ -in. wrench) and two  $\frac{3}{8}$ - x 1-inch and one  $\frac{3}{8}$ - x  $1\frac{1}{4}$ -inch bolts in rear end ( $\frac{9}{16}$ - and  $\frac{3}{4}$ -in. wrenches).

## 116. REMOVAL OF GENERATOR BELT.

### a. Equipment.

BAR, pry    WRENCH, open-end,  $\frac{1}{2}$ -in.  
WRENCH,  $\frac{9}{16}$ -in.                                  WRENCH, open-end,  $\frac{3}{4}$ -in.  
WRENCH, fan adjusting                        WRENCH, socket,  $\frac{3}{4}$ -in.

### b. Procedure.

#### (1) REMOVE WINCH DRIVE SHAFT GUARD (par. 103 b (1)).

WRENCH,  $\frac{3}{4}$ -in. (2)                      WRENCH,  $\frac{9}{16}$ -in.

#### (2) REMOVE FRONT FENDER (par. 103 b (2)).

WRENCH,  $\frac{3}{4}$ -in. (2)

#### (3) LOOSEN GENERATOR BELT.

BAR, pry    WRENCH, open-end,  $\frac{1}{2}$ -in.

Loosen belt by loosening adjusting cap screw in adjusting link ( $\frac{1}{2}$ -in. wrench). Loosen generator hinge cap screws ( $\frac{5}{8}$ -in. wrench) and force generator down with pry bar.

#### (4) REMOVE FAN BELTS.

WRENCH, fan adjusting                      WRENCH, open-end,  $\frac{3}{4}$ -in.

Remove fan belts as outlined in paragraph 79. Generator belt may now be removed from pulleys.

## 117. INSTALLATION OF GENERATOR BELT.

### a. Equipment.

BAR, pry    WRENCH, open-end,  $\frac{1}{2}$ -in.  
WRENCH,  $\frac{9}{16}$ -in.                                  WRENCH, open-end,  $\frac{3}{4}$ -in.  
WRENCH, fan adjusting                        WRENCH, socket,  $\frac{3}{4}$ -in.

### b. Procedure.

#### (1) INSTALL BELTS.

Place generator belt in inside groove of engine crankshaft pulley and on generator drive pulley.



**CHAPTER 6  
ELECTRICAL SYSTEM**

**Section II**

**GENERATOR REGULATOR**

	<b>Paragraph</b>
Description .....	120
Tabulated data .....	121
Preventive maintenance .....	122
Trouble shooting .....	123
Removal of generator regulator from generator.....	124
Disassembly .....	125
Inspection and repair.....	126
Assembly of generator regulator.....	127
Adjustment of generator regulator.....	128
Installation of generator regulator on generator.....	129
Special tools.....	130

**120. DESCRIPTION.**

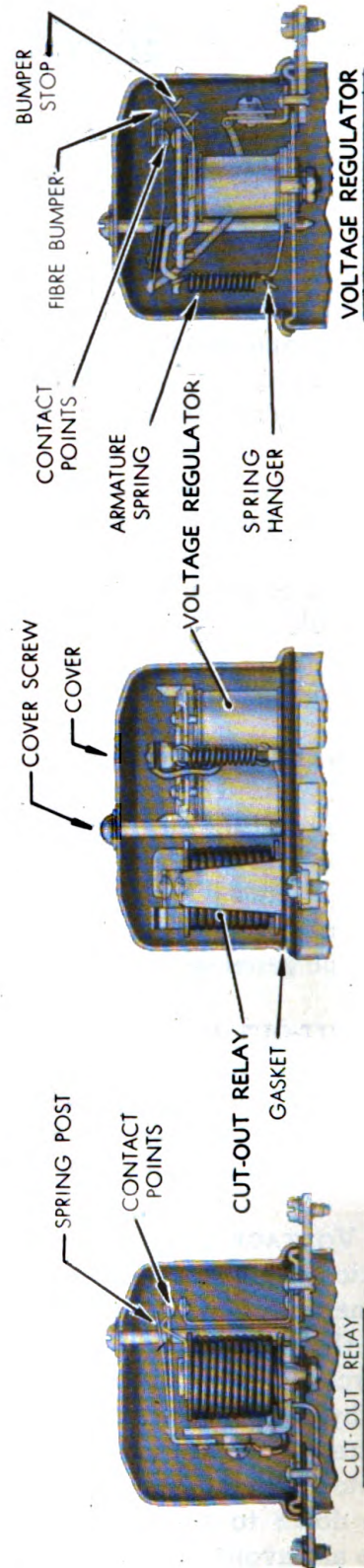
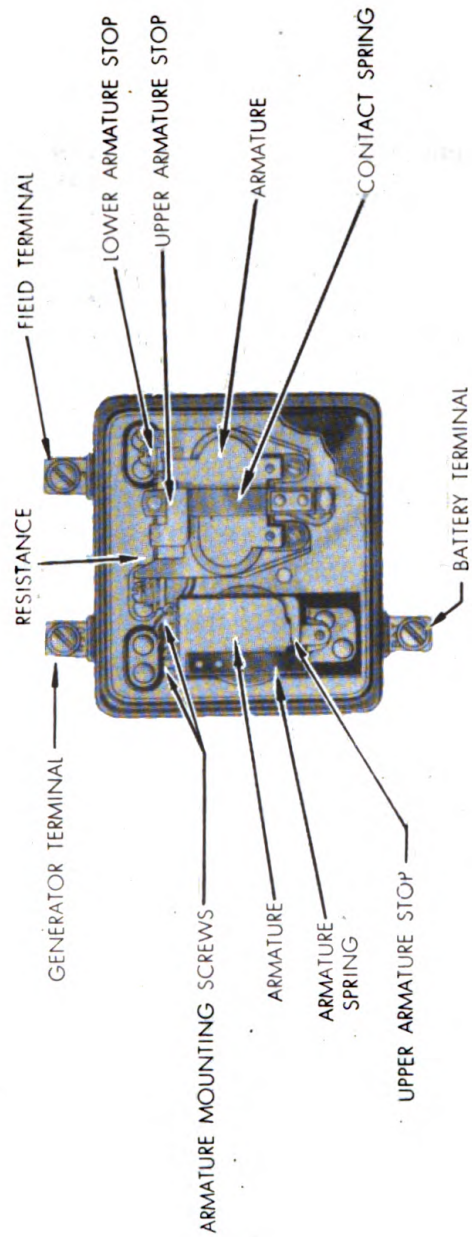
**a. General Description.** This assembly is a Delco-Remy Model No. 5886, mounted directly on top of the generator and consists of a voltage regulating mechanism and a cut-out relay, both mounted on the same metal base and under the same cover.

**b. Function of Generator Regulator.** The functions of the two units in the generator regulator are as follows:

(1) **CUT-OUT RELAY.** The cut-out relay closes the circuit between the generator and battery when the generator voltage has built up to a value sufficient to force a charge into the battery. The cut-out relay opens the circuit when the generator slows or stops and current begins to flow back from the battery into the generator.

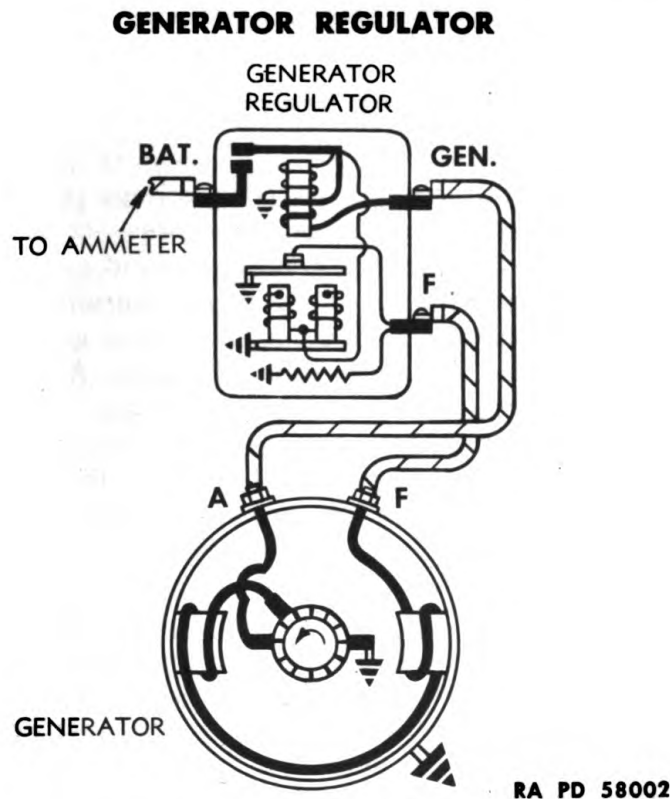
(2) **VOLTAGE REGULATOR UNIT.** The voltage regulator unit is a magnetic switch which magnetically inserts or removes resistance in the generator field circuit. When the battery is in a low state of charge, the voltage regulator keeps the resistance out of the generator field circuit, so that the generator can produce full output (as determined by third brush setting) and thus recharge the battery. When the battery comes up to charge, the voltage regulator inserts resistance into the generator field circuit, causing the generator output to be cut down to a low value, so that battery overcharge and high voltage are avoided.

ORDNANCE MAINTENANCE — MEDIUM TRACTOR M1  
(ALLIS-CHALMERS HD-7W) ENGINE ACCESSORIES



RA PD 58001

Figure 116 — Cutaway Views of Generator Regulator



**Figure 117 – Wiring Diagram of Generator and Generator Regulator**

**c. Theory of Operation.**

(1) **THE CUT-OUT RELAY.** The cut-out relay consists of two windings—a shunt winding and a series winding—assembly on a single core, above which is positioned an armature. The shunt winding consists of many turns of fine wire and is connected across the generator. The series winding consists of a few turns of heavy wire designed to carry full generator output and it is connected into the charging circuit. The armature carries a point which is positioned above a stationary matching point. When the generator is not operating, the armature is held away from the winding core by spring tension and the points are separated. As soon as the generator begins to operate at a speed sufficient to produce enough voltage to charge the battery, this voltage, which is impressed on the relay windings, creates enough magnetism to overcome the armature spring tension and close the points. As long as the generator is charging the battery, the points are held closed. But when the generator slows or stops so that current flows from the battery to the generator, the points open. They open because the series winding magnetic field reverses as the current in it reverses so that the two windings no longer help each other, but the magnetic fields buck, causing a reduction of the total magnetic field to a point where it can no longer hold the armature down and

**ORDNANCE MAINTENANCE — MEDIUM TRACTOR M1  
(ALLIS-CHALMERS HD-7W) ENGINE ACCESSORIES**

the points closed. The spring tension pulls the armature up and opens the points.

(2) **VOLTAGE REGULATOR UNIT.** The voltage regulator unit consists of two windings assembled on two cores—connected in series and, together, shunted across the generator—and an armature with a pair of contact points held closed by spring tension. In this position the generator field circuit is conducted directly to ground through the points. Full generator output is thus available. As the battery approaches a charged condition, its charging voltage increases. This increasing voltage, energizing the two windings, becomes great enough, when the battery is sufficiently charged, to cause the voltage regulator unit to operate. At this point the voltage is great enough to create sufficient magnetic strength in the winding cores to overcome the armature spring tension and pull the armature toward the core so that the contact points open. With the points open, the generator field current must go to ground through a resistance. Generator field current and output are consequently reduced. As long as the battery remains in a charged condition and line voltage is high, then the resistance will remain in the generator field circuit and the generator continues to operate on low output. But when the battery becomes partly discharged, or when electrical accessories are turned on so that the line voltage is reduced, then the lowered voltage becomes insufficient to hold the points open and they close, directly grounding the field so that the generator output comes up on the high side. There are, in effect, two generators—a standard output unit when the battery and line voltage is low, and a reduced output generator when the battery is up to charge and less generator output is required.

**121. TABULATED DATA.**

a. Generator regulator specifications are:

(1) **CUT-OUT RELAY.**

Air gap (inch).....	0.020
Point opening (inch).....	0.020
Points close (volts).....	13.2-14.0

(2) **VOLTAGE CONTROL UNIT.**

Air gap (inch).....	0.035
Point opening (inch).....	0.010
Contact spring tension (ounce).....	0.5-1.1
Armature travel (inch).....	0.030
Points open (volts at 180 F).....	13.5-14.2
Points close (volts at 180 F).....	11.5-12.2



## GENERATOR REGULATOR

### 122. PREVENTIVE MAINTENANCE.

**a. Operational Maintenance Checks.** Operational maintenance checks are defined as the checks made during the operation of the vehicle. These checks give the operator some idea as to the condition of the generator and generator regulator so that if some abnormal condition of operation is noted, correction may be made before complete failure of the equipment takes place. During starting, and after the vehicle is in operation, the position of the ammeter hand should be noted. After the engine is electrically cranked and started, the generator—if operating normally—will immediately begin to return to the battery the current used in starting. Consequently, the ammeter reading will be fairly high. Then, if the battery was originally in a good state of charge, the generator output will be reduced a substantial amount as the generator regulator operates when the battery approaches a charged condition. The length of time after starting will depend on the original state of battery charge and the amount of drain on the battery during starting. Failure of the equipment to operate in this manner requires further consideration (section III, this chapter).

**b. Inspection Checks.** Inspection checks would normally include checking the electrical settings of the cut-out relay and voltage regulator. But without the proper instruments, which include a voltmeter and an ammeter, these checks cannot be made. For exhaustive checks refer to TM 9-1768B or Delco-Remy manual. Tampering with the unit by unauthorized or unequipped personnel can lead only to damage to the electrical units. Increasing the voltage regulator settings beyond their rated values may cause overcharged and damaged batteries, early failure of the electrical units, and damage to the generator. Reducing the voltage regulator settings below their rated minimums may result in undercharged batteries and inefficient operation of the electrical units. Adjusting procedures are outlined in paragraph 128.

**c. Periodic Generator Regulator Replacement.** At the same time that the generator is removed from the vehicle, the generator regulator should also be removed. The mechanical and electrical settings of the generator regulator may be noted and corrections made when necessary (par. 128).

### 123. TROUBLE SHOOTING.

**a. General.** As outlined in paragraph 122, the dash ammeter should show a fairly high reading immediately after starting and then, after some period of operation, the ammeter reading should drop back to a lower value as the generator regulator operates. If the ammeter shows little or no charge although the battery is known to be in a low

**ORDNANCE MAINTENANCE — MEDIUM TRACTOR M1  
(ALLIS-CHALMERS HD-7W) ENGINE ACCESSORIES**

state of charge (as indicated by slow starting motor operation, dim lights, or weak operation of other electrical equipment), then further checking to locate the trouble is required. Likewise, if the ammeter continues to read high, even though the battery is known to be in a charged condition (as indicated by fast, snappy cranking, or bright lights), then further checking should be made. These conditions are analyzed in the following steps:

(1) **LOW BATTERY WITH LOW CHARGING RATE.** The most accurate way to determine the state of battery charge is to use a hydrometer. (Refer to battery section in TM 9-783B.) Some indication of the actual condition of the battery may, however, be gathered by noting the manner in which the electrical equipment is functioning, as detailed in this paragraph. With a low battery and a low or no charging rate, check the equipment by momentarily grounding the "F" terminal of the generator by means of a jumper lead, while the generator is operating at medium speed. If the generator is capable of producing normal output, the output will come up. If the output does not come up, then the generator should be checked further as outlined in paragraph 114. If the output does come up, the generator regulator can be considered to be reducing the generator output, even though the battery is in a low state of charge, and generator regulator should be checked for a low voltage setting or burned or oxidized contact points (par. 126). Loose connections, defective wiring, or other causes of excessive resistance in the charging circuit may cause the voltage regulator to operate as though the battery were fully charged, even though it is in a discharged condition, so the circuit must also be checked when this condition is found.

(2) **CHARGED BATTERY WITH HIGH CHARGING RATE.** With this condition, it is necessary to determine whether the generator regulator has operated to insert resistance in the generator field circuit. Remove the generator regulator cover and check to see if the points are open. If they are not, open them by hand. If the output now falls off, the voltage regulator must be readjusted. If the output does not drop off as the points are opened by hand, disconnect the lead from the "F" terminal of the generator. If the output still does not drop off, the generator field circuit is grounded. If the output does drop off, then there is a ground in the voltage regulator. It must be remembered that even after the generator regulator has operated and inserted its resistance into the generator field circuit, it may still be possible for the generator to overcharge the battery, even though the generator is operating on low output. Under such conditions the generator output should be adjusted by adjusting the third brush as outlined in paragraph 114.

**GENERATOR REGULATOR**

**124. REMOVAL OF GENERATOR REGULATOR FROM GENERATOR.**

**a. Disconnect Wires.**

SCREWDRIVER, 6-in.

Remove the three screws holding the three wires to generator regulator terminals. Tape the lead disconnected from the "BAT" terminal to avoid grounding it, since it is connected to the battery and a high current would flow if the clip touched any metal.

**b. Remove Generator Regulator.**

SCREWDRIVER, 6-in.

Remove two screws holding generator regulator to generator and lift off unit.

**125. DISASSEMBLY.**

**CAUTION:** As a rule the generator regulator should *not* be disassembled. The only exception is where some part, such as the cut-out relay or voltage regulator armature, requires replacement. The adjustments of the unit are very delicate and must be made with great precision in order to obtain normal operation of the unit. Actually, only a few parts can be removed from the unit, since the windings, terminals, etc., are assembled by riveting. It is suggested that this disassembly procedure be used only where the replacement of some part (as determined by inspection procedure outlined in par. 126) is necessary.

**a. Equipment.**

IRON, soldering  
SCREWDRIVER, 4-in.

SCREWDRIVER, 6-in.

**b. Procedure.**

**(1) REMOVE COVER.**

SCREWDRIVER, 6-in.

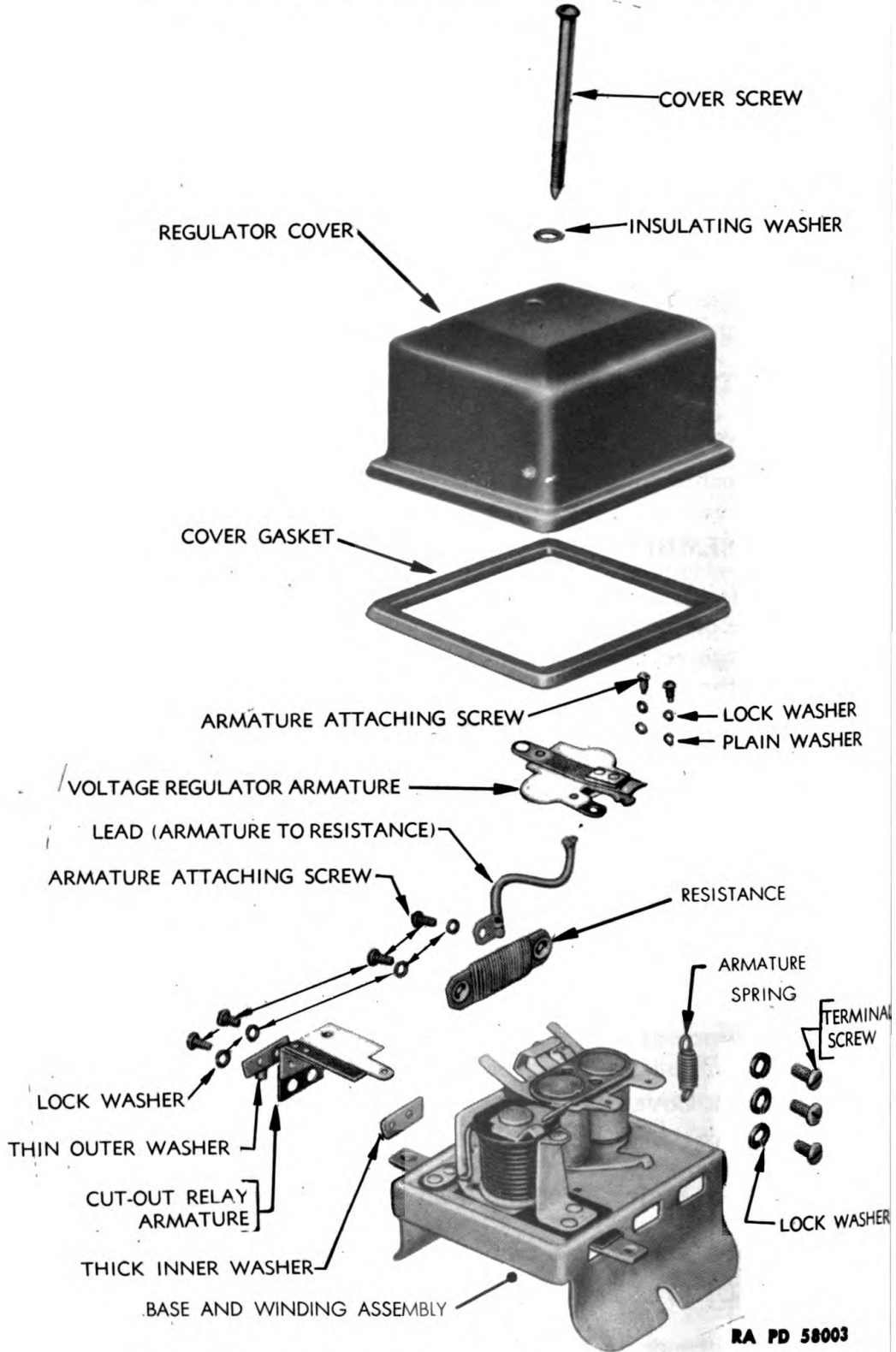
Remove cover by removing screw and insulating washer.

**(2) REMOVE RESISTANCE.**

SCREWDRIVER, 6-in.

Remove resistance by unscrewing two screws. This also disconnects lead soldered to voltage regulator armature.

**ORDNANCE MAINTENANCE—MEDIUM TRACTOR M1  
(ALLIS-CHALMERS HD-7W) ENGINE ACCESSORIES**



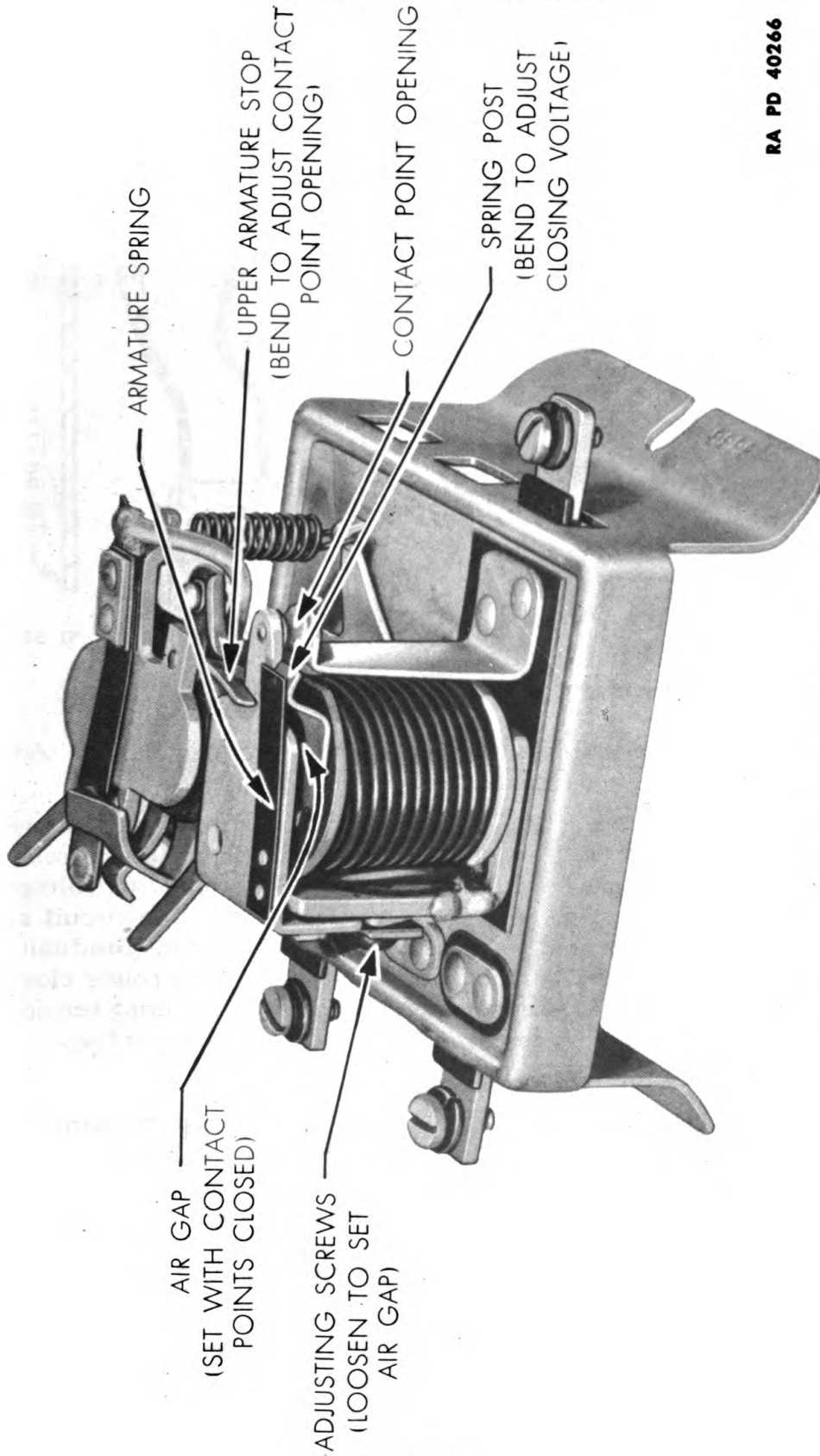
**Figure 118 — Exploded View of Generator Regulator**





RA PD 40266

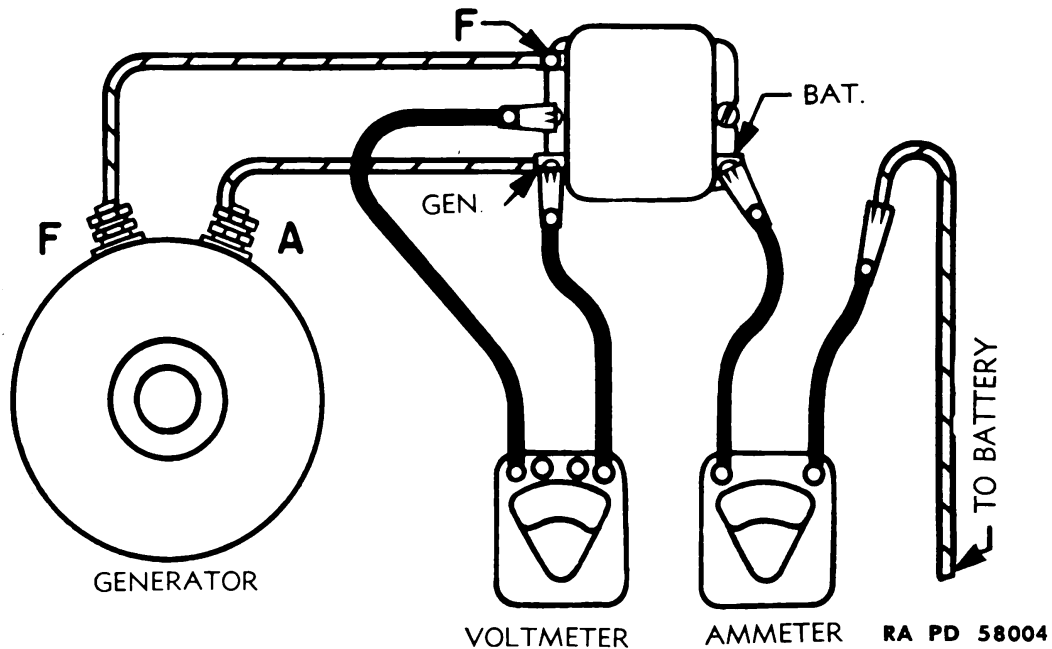
**GENERATOR REGULATOR**



**Figure 119 — Cut-Out Relay Adjustments**

**ORDNANCE MAINTENANCE — MEDIUM TRACTOR M1  
(ALLIS-CHALMERS HD-7W) ENGINE ACCESSORIES**

**GENERATOR REGULATOR**



**Figure 120 — Meter Connections to Check Cut-Out Relay**

(b) *Point Opening.* Measure point opening with points open. Adjust by bending the upper armature stop.

(c) *Closing Voltage* (fig. 120). With cover off, connect voltage control to generator and battery in normal manner to check relay closing voltage. Connect voltmeter from "GEN" terminal to voltage control base. It is not necessary to connect ammeter into circuit as shown unless it is desired to measure generator output. Gradually increase generator speed and note voltage at which relay points close. Adjust by bending up on the spring post to increase the spring tension and raise the closing voltage. Bend down to lower closing voltage.

**(2) ADJUST VOLTAGE REGULATOR.**

**AMMETER**

**GAGES, as follows:**

- 0.010-in.
- 0.015-in.
- 0.030-in.
- 0.035-in.
- 0.045-in.

**GAGE**, spring, measuring in tenths of an ounce

**PLIERS**, long-nose

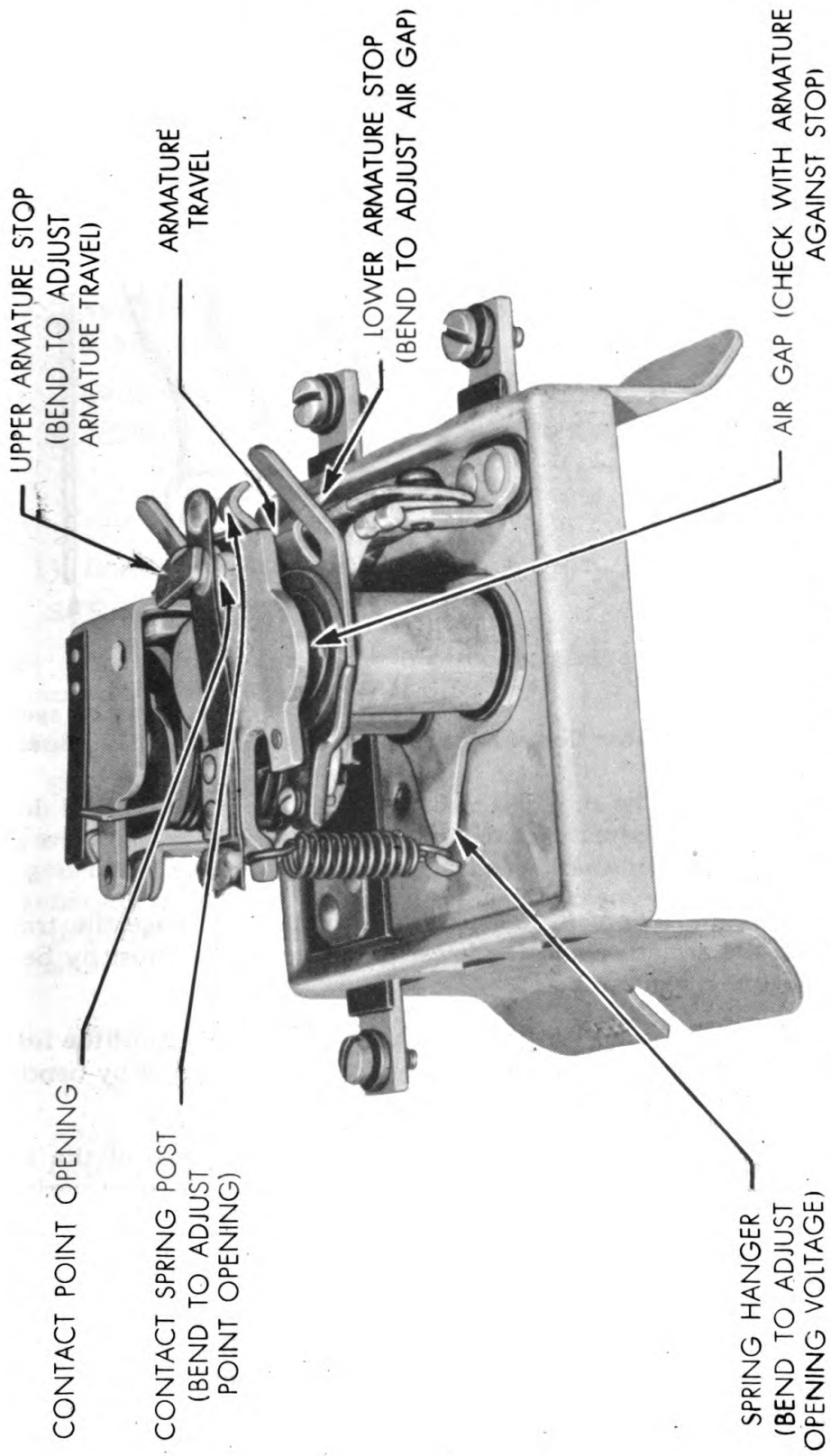
**RESISTANCE**, ¼ ohm variable

**VOLTMETER**

(a) *Contact Spring Tension.* The flat contact spring tension is measured at the contacts with the armature up. The pull required to separate the points should be carefully measured. Adjust by slightly bending the flat spring.

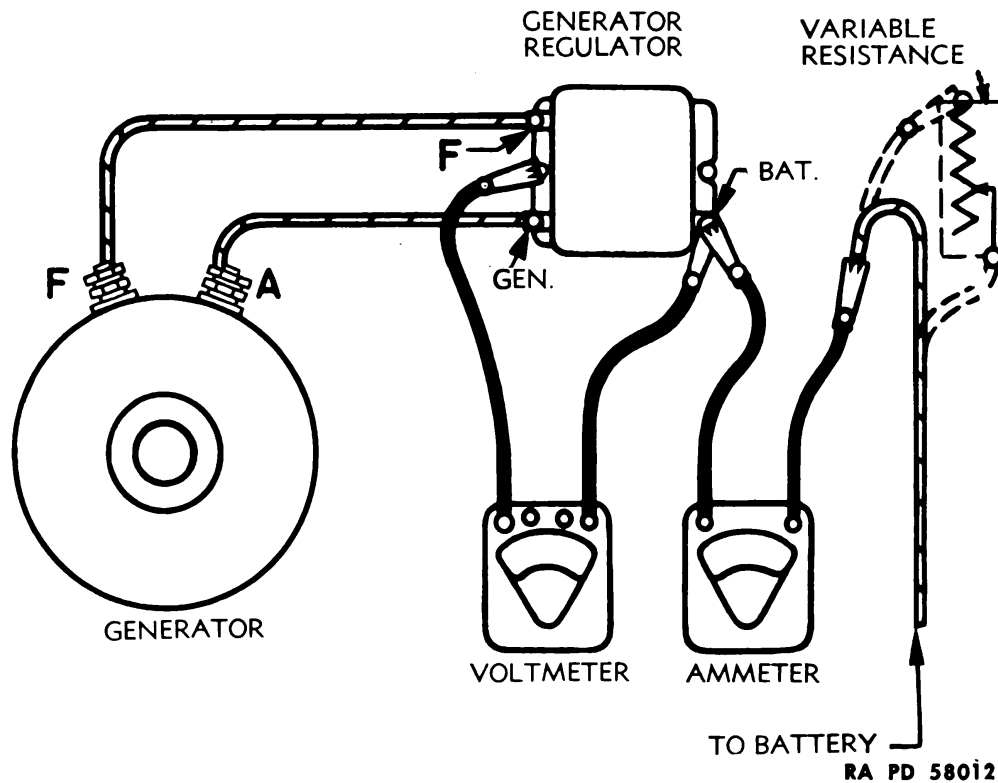


**GENERATOR REGULATOR**



**Figure 121 -- Voltage Regulator Adjustments**

**ORDNANCE MAINTENANCE—MEDIUM TRACTOR M1  
(ALLIS-CHALMERS HD-7W) ENGINE ACCESSORIES**



RA PD 580i2

**Figure 122 — Meter Connections to Check Generator Regulator**

(b) *Air Gap.* The air gap is measured with the armature held down against the lower armature stop, between the center of the core and the armature. Bend the lower armature stop to adjust.

(c) *Armature Travel.* Release the armature and gage the travel between the armature and the lower armature stop. Adjust by bending the upper armature stop.

(d) *Point Opening.* With the armature held down against the lower armature stop, measure the contact point opening. Adjust by bending the contact spring post.

(e) *Voltage Setting* (fig. 122). The *opening voltage* of the contact points is checked by connecting the meters and  $\frac{1}{4}$  ohm variable resistance, as illustrated, to the voltage regulator, generator, and battery. Increase generator speed slowly and note the voltage at which the contact points of the voltage regulator unit open. **VOLTAGE REGULATOR MUST BE AT OPERATING TEMPERATURE AND COVER MUST BE IN PLACE.** If the battery is low, the voltage regulator may not operate. To obtain sufficient voltage to cause the voltage regulator points to open, operate the generator at medium speed and slowly cut in resistance until the voltage regulator points open. Note voltage. To adjust, bend the armature spring

**GENERATOR REGULATOR**

hanger down to increase the opening voltage setting. Bend up to lower the setting. The *closing voltage* is checked by reducing the generator speed or cutting out resistance so the voltage drops to the value at which the points close. Adjust by adjusting the *air gap*, as above. Increase the air gap to raise the closing voltage or decrease the air gap to lower the closing voltage. After readjusting the air gap, readjustment of the contact point opening may be required.

**129. INSTALLATION OF GENERATOR REGULATOR ON GENERATOR.****a. Equipment.**

SCREWDRIVER, 6-in.

WRENCH, open-end,  
 $\frac{7}{16}$ -in.**b. Procedure.****(1) INSTALL GENERATOR REGULATOR UNIT.**

SCREWDRIVER, 6-in.

Set generator regulator unit in place on generator and secure it to generator with two screws.

**(2) CONNECT WIRES.**

SCREWDRIVER, 6-in.

Connect wires as follows: Lead from ammeter goes to terminal on generator regulator unit marked "BAT". Lead from "F" terminal of generator goes to "F" terminal on generator regulator. Lead from "A" terminal of generator goes to "GEN" terminal of generator regulator.

**130. SPECIAL TOOLS.****a. Special tools required are:****AMMETER****GAGES, as follows:**

0.010-in.

0.015-in.

0.020-in.

0.030-in.

0.035-in.

0.045-in.

**GAGE, spring, measuring  
in tenths of an ounce****RESISTANCE,  $\frac{1}{4}$  ohm  
variable****VOLTMETER**

**ORDNANCE MAINTENANCE—MEDIUM TRACTOR M1  
(ALLIS-CHALMERS HD-7W) ENGINE ACCESSORIES**

**CHAPTER 6**

**ELECTRICAL SYSTEM**

**Section III**

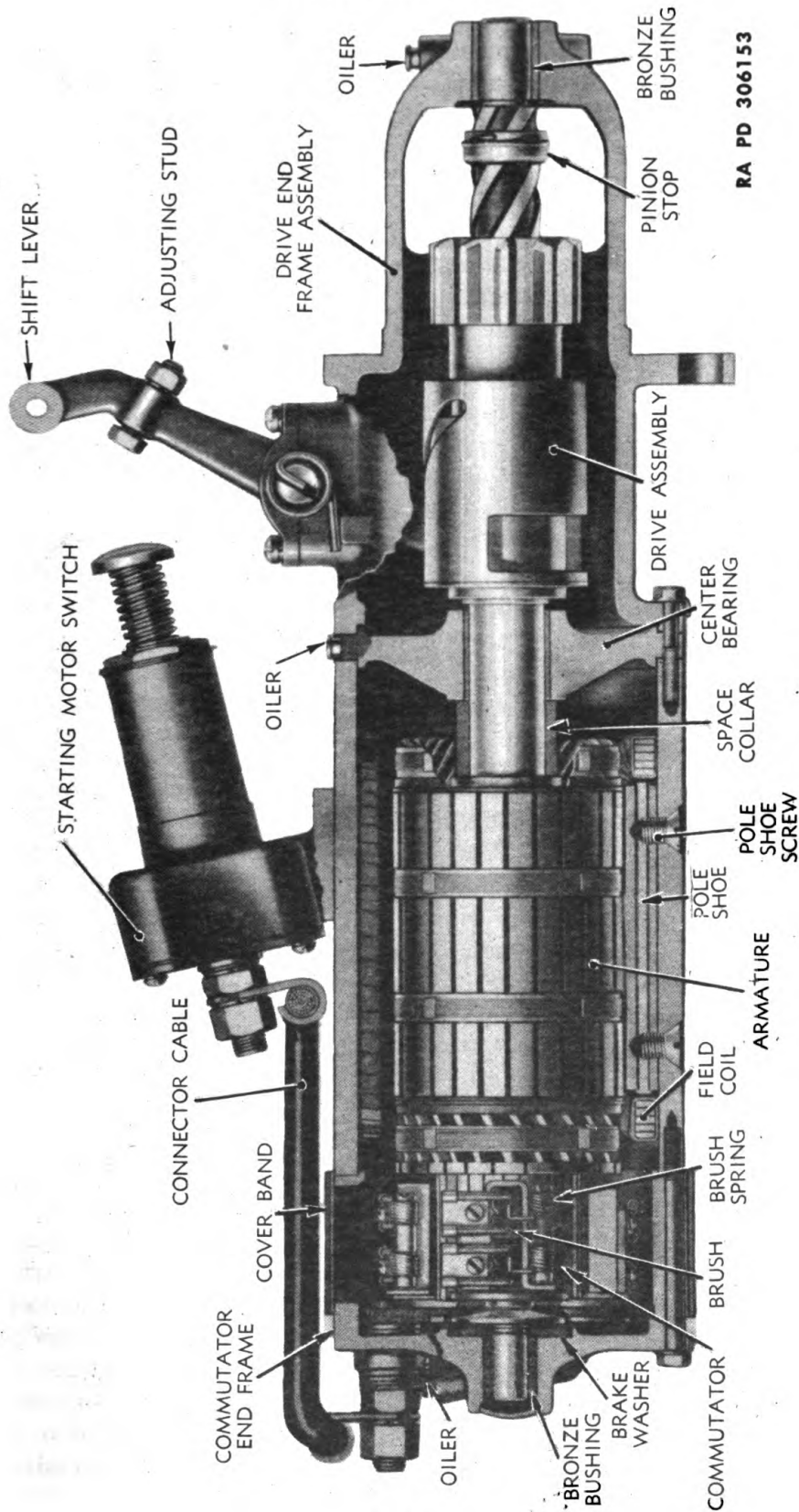
**STARTING MOTOR**

	<b>Paragraph</b>
Description .....	131
Tabulated data .....	132
Operational checks and inspection.....	133
Trouble shooting .....	134
Inoperative or slow cranking motor.....	135
Removal of starting motor from engine.....	136
Disassembly into main subassemblies.....	137
Disassembly of commutator end frame assembly.....	138
Disassembly of field frame assembly.....	139
Disassembly of drive end frame assembly.....	140
Disassembly of Dyer drive assembly.....	141
Disassembly of starting motor switch.....	142
Inspection and repair.....	143
Assembly of starting motor switch.....	144
Assembly of Dyer drive assembly.....	145
Assembly of drive end frame assembly.....	146
Assembly of field frame assembly.....	147
Assembly of commutator end frame assembly.....	148
Assembly of starting motor.....	149
Testing starting motor.....	150
Installation of starting motor.....	151
Special tools .....	152

**131. DESCRIPTION.**

a. **General Description.** The starting motor, Delco-Remy Model No. 1108714, is an eight-brush, four-pole, heavy-duty unit, with the armature supported by three bushings at the drive end, center, and commutator end. The unit has a heavy-duty starting motor switch mounted on it and employs a Dyer drive to mesh the drive pinion with the flywheel for cranking the engine and to demesh the drive pinion when the engine begins to operate. A shift lever in the drive housing is connected to the starting motor rod and pedal which projects through floor plate of cowl. Operation of the shift lever first shifts the drive pinion into mesh and completion of the shift lever

**STARTING MOTOR**



**Figure 123 - Cutaway View of Starting Motor**

**ORDNANCE MAINTENANCE — MEDIUM TRACTOR M1  
(ALLIS-CHALMERS HD-7W) ENGINE ACCESSORIES**

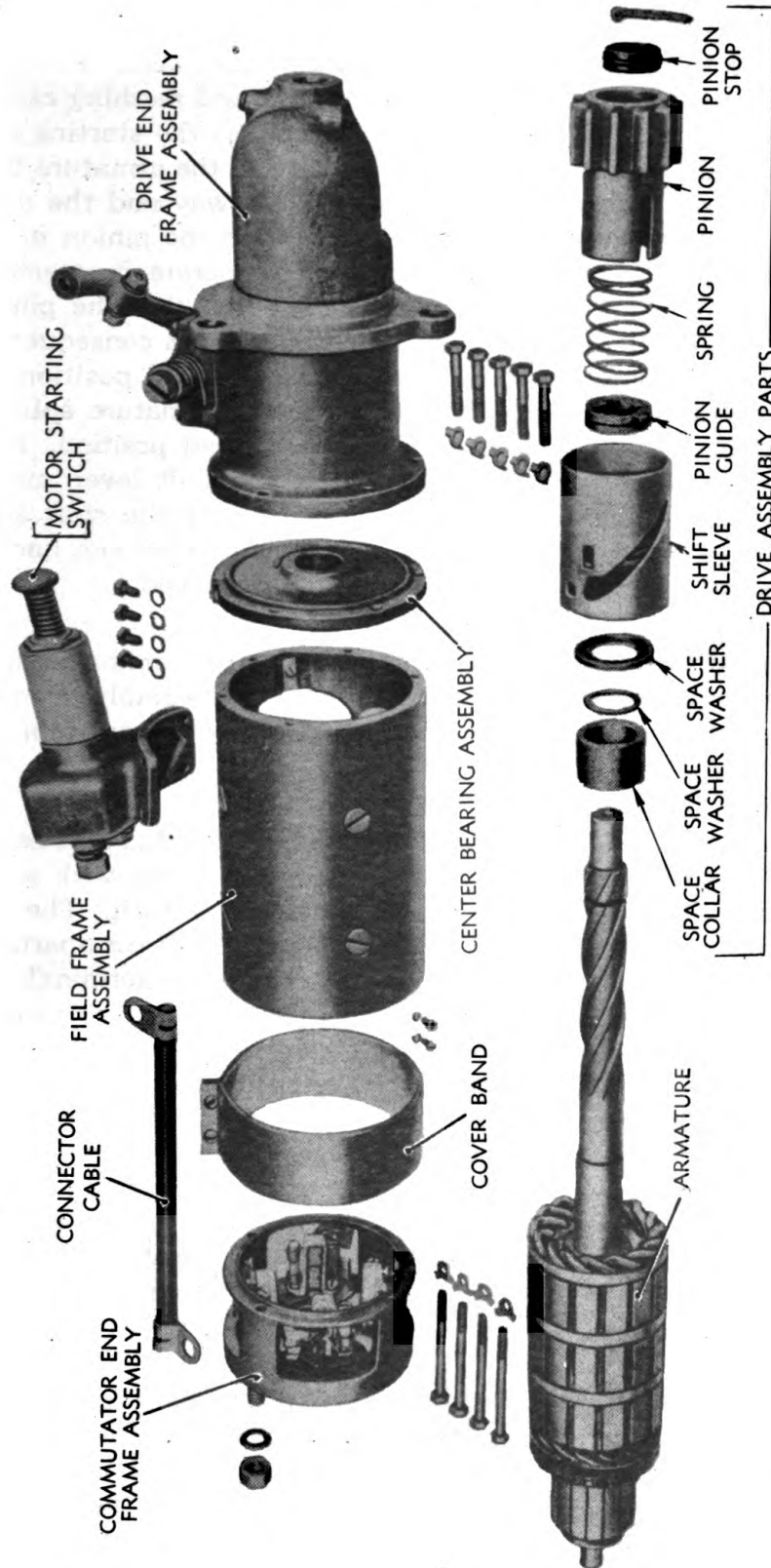
movement closes the starting motor switch so current can flow from the battery to the starting motor so cranking of the engine can take place. As soon as the engine operates, the engine drives the pinion back out of mesh so excessive speeds cannot be transmitted back to the starting motor armature.

**b. Function of Starting Motor.** The starting motor electrically cranks the engine so that the engine will start and run. Current from the battery is utilized to operate the starting motor; this current being subsequently replaced in the battery by operation of the generator.

**c. Theory of Operation.** The starting motor produces cranking torque by utilizing the principle that force is exerted on a conductor held in a magnetic field when current is passed through the conductor. A number of conductors or armature windings are assembled in the starting motor armature. The armature is free to rotate within the starting motor field coils. When current is passed through the field coils, a powerful magnetic field is created. Current then flowing through the armature windings causes a strong force to be exerted on the armature windings, so that the armature is forced to rotate or spin. This rotational movement is transmitted by the starting motor drive pinion to the engine flywheel, so that the engine is cranked.

**d. Dyer Drive (fig. 124).** The Dyer drive provides positive meshing of the drive pinion with the engine flywheel before the starting motor switch is closed and demeshes the drive pinion as soon as the engine begins to operate. The complete drive is assembled on the helically splined armature shaft and consists of space washers, shift sleeve, pinion guide, spring, pinion, pinion stop, and cotter pin. The pinion has splines on its inner diameter which are a loose fit on the armature splines. The guide has splines on its inner diameter which are a fairly snug fit on the armature splines. Two lugs on the pinion guide engage in two lateral slots in the pinion. A stud on the shift lever engages in a helical slot in the shift sleeve. When the shift lever is operated, the stud—resting on a flat portion of the shift sleeve slot—forces the shift sleeve, pinion guide, and pinion, endwise along the armature shaft. If the pinion and flywheel teeth aline, meshing takes place and further movement of the shift lever closes the starting motor switch so that cranking is accomplished. If the pinion and flywheel teeth do not aline and the teeth butt, the drive pinion is caused to rotate against the flywheel teeth without forward movement so that alinement and meshing do not take place. This rotation of the pinion is caused by the fact that the pinion is a loose fit on the armature splines, while the pinion guide is a fairly snug fit. As the shift lever movement continues (after the teeth butt) the pinion guide continues to move endwise along the armature shaft, compressing the pinion spring. The pinion guide rotates and transmits this rotational

STARTING MOTOR



RA PD 306154

Figure 124 -- Starting Motor -- Exploded View

**ORDNANCE MAINTENANCE — MEDIUM TRACTOR M1  
(ALLIS-CHALMERS HD-7W) ENGINE ACCESSORIES**

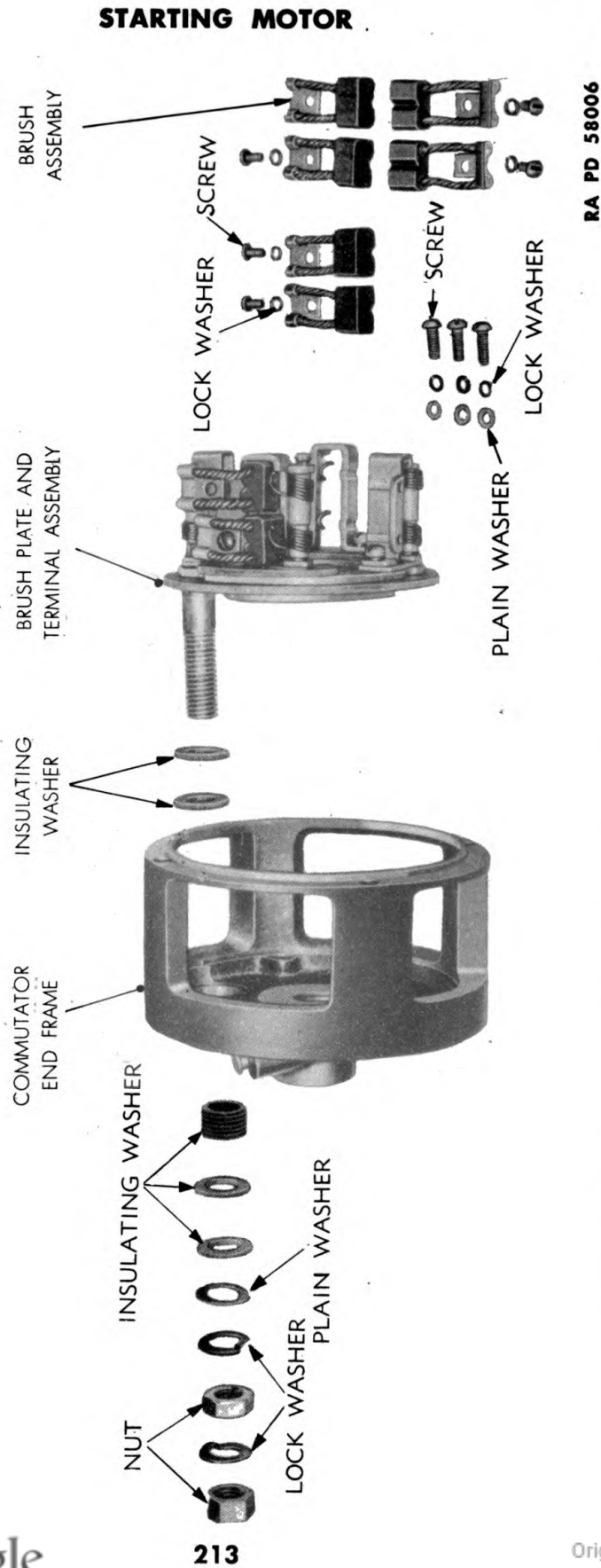
movement through the pinion guide lugs and slots in the pinion, to the pinion so that it rotates without forward movement. The pinion rotates only a few degrees until the teeth aline and meshing can take place. Then, further shift lever movement closes the starting motor switch and cranking is accomplished. As soon as the armature begins to rotate, the shift sleeve spins back out of the way and the driving torque of the armature through the pinion holds the pinion in mesh with the flywheel. When the engine begins to operate, it attempts to drive the starting motor armature, with the result that the pinion is driven faster than the armature is turning and pinion consequently is spun back out of mesh and returns to the demeshed position. The pinion guide drops into a milled section on the armature splines so that it and the pinion are locked in the demeshed position. Before the pinion can again be shifted into mesh, the shift lever must be released so the stud on the shift lever can rotate the shift sleeve, come to rest again on the flat portion of the shift sleeve slot and then move the entire assembly forward as already described.

e. **Detailed Description** (fig. 125). The starting motor consists of a commutator end frame assembly, field frame assembly, armature, center bearing, Dyer drive component parts, drive end assembly, and switch.

(1) **COMMUTATOR END FRAME ASSEMBLY** (fig. 125). The commutator end frame assembly consists of an end frame with a bushing, terminal, and brush plate assembly assembled to it. The brush plate assembly has four pairs of brushes placed 90 degrees apart. Two of the brush sets are connected through a ring to the terminal, while the other two brush sets are insulated from the first two sets and are connected by leads to the field coils. Current from the battery enters the terminal, passes through two brush sets into the armature, from the armature through the other two brush sets, from there through the starting motor field coils, then through ground back to the battery. Springs hold the brushes against the armature commutator with the proper tension to provide good contact. A cover band on the commutator end frame covers windows in the end frame, and can be removed so that the condition of the brushes and commutator may be noted.

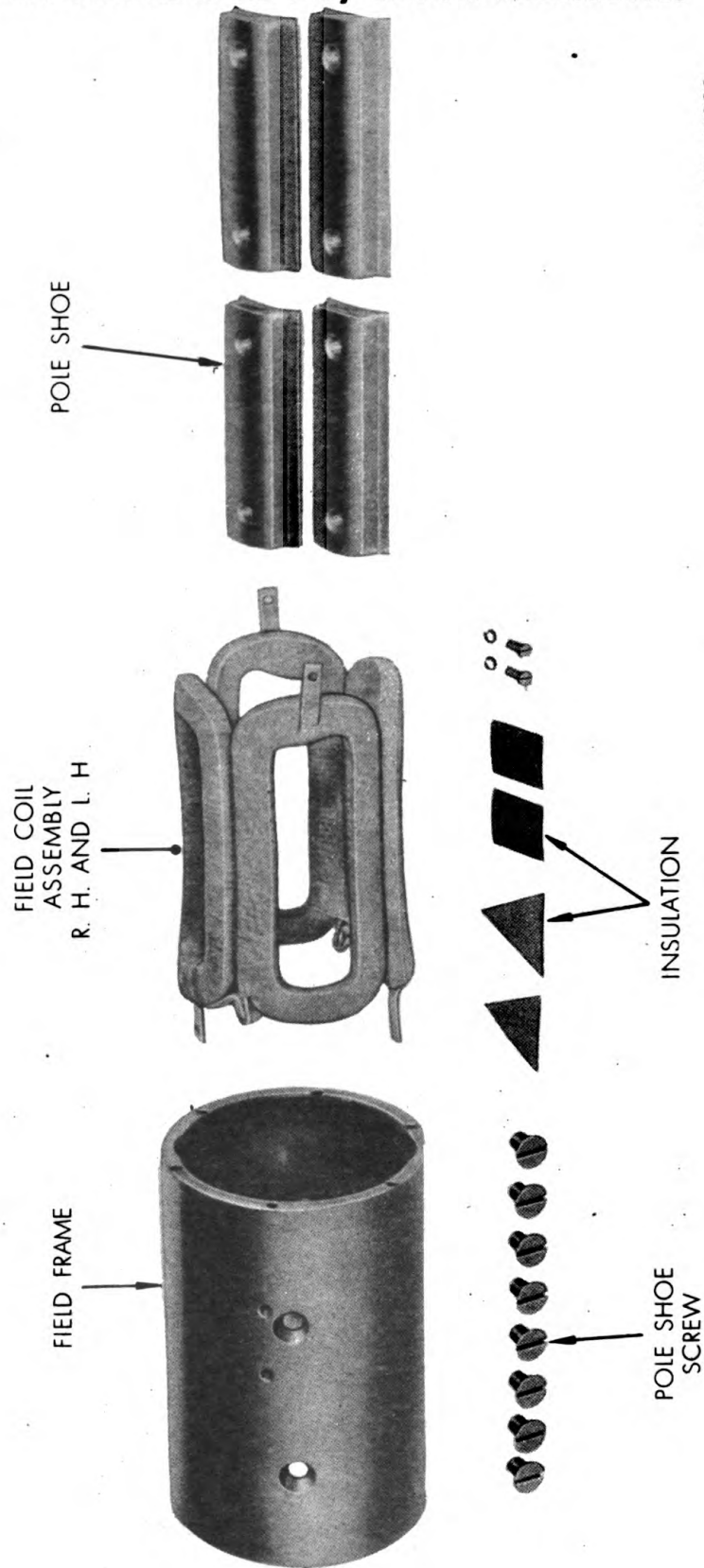
(2) **FIELD FRAME ASSEMBLY** (fig. 126). The field frame assembly consists of four field coils, assembled to the field frame by pole shoes and pole shoe screws. The coils are connected in series by pairs, that is, two of the coils are connected in series, the other two are also connected in series, and both sets are connected in parallel from the brushes to the starting motor frame or ground.





**Figure 125 – Starting Motor Commutator End Frame Assembly – Exploded View**

**ORDNANCE MAINTENANCE — MEDIUM TRACTOR M1  
(ALLIS-CHALMERS HD-7W) ENGINE ACCESSORIES**



RA PD 40298

**Figure 126 — Starting Motor Field Frame Assembly — Exploded View**

## STARTING MOTOR

(3) **ARMATURE** (fig. 124). The armature consists of a shaft on which lamination is pressed. The lamination is laterally slotted and into the slots are assembled the armature windings. The windings are connected to the commutator segments so that current from the brushes can be fed into the windings and back out again. The armature is supported on three bushings and the drive end is helically splined for the Dyer drive assembly.

(4) **DRIVE END HOUSING ASSEMBLY** (fig. 127). The assembly consists of the drive end frame, bushing, and shift lever. The shift lever is assembled to the housing with a cover so that dust cannot enter the housing. A spring is assembled to the shift lever so that the shift lever will be returned to the demeshed position when released.

(5) **STARTING MOTOR SWITCH** (fig. 128). The starting motor switch mounts on the field frame and consists of two terminals, and a contact disk assembled to, and insulated from, a push rod and push button. Operation of the push button forces the contact disk against the two terminals so the circuit between the battery and starting motor is closed. A quick-break mechanism is incorporated in the switch, the purpose of which is to insure a very rapid breaking of the circuit when the push button is released. Since a high current is taken through the switch, a slow opening of the circuit would permit heavy arcing and rapid burning of the contacts. Quick opening of the circuit reduces arcing to a minimum. Special alloy is used on the contact faces to resist the effects of the arcing which does take place. The quick-break mechanism consists of two triggers and a trigger spring together with a spring, stop washer, and release cam on the push button shaft. When the push button is depressed, the release cam moves out of the way so the triggers can drop down back of the stop flange on the push rod. This holds the contact disk against the terminals with spring pressure until the push button is released. As the push button moves back, the triggers still retain the contact disk firmly against the terminals until such time as the release cam trips the triggers, allowing the spring to release and quickly withdraw the contact disk from contact with the terminals.

### 132. TABULATED DATA.

a. The starting motor specifications are:

Clockwise rotation viewing drive end.

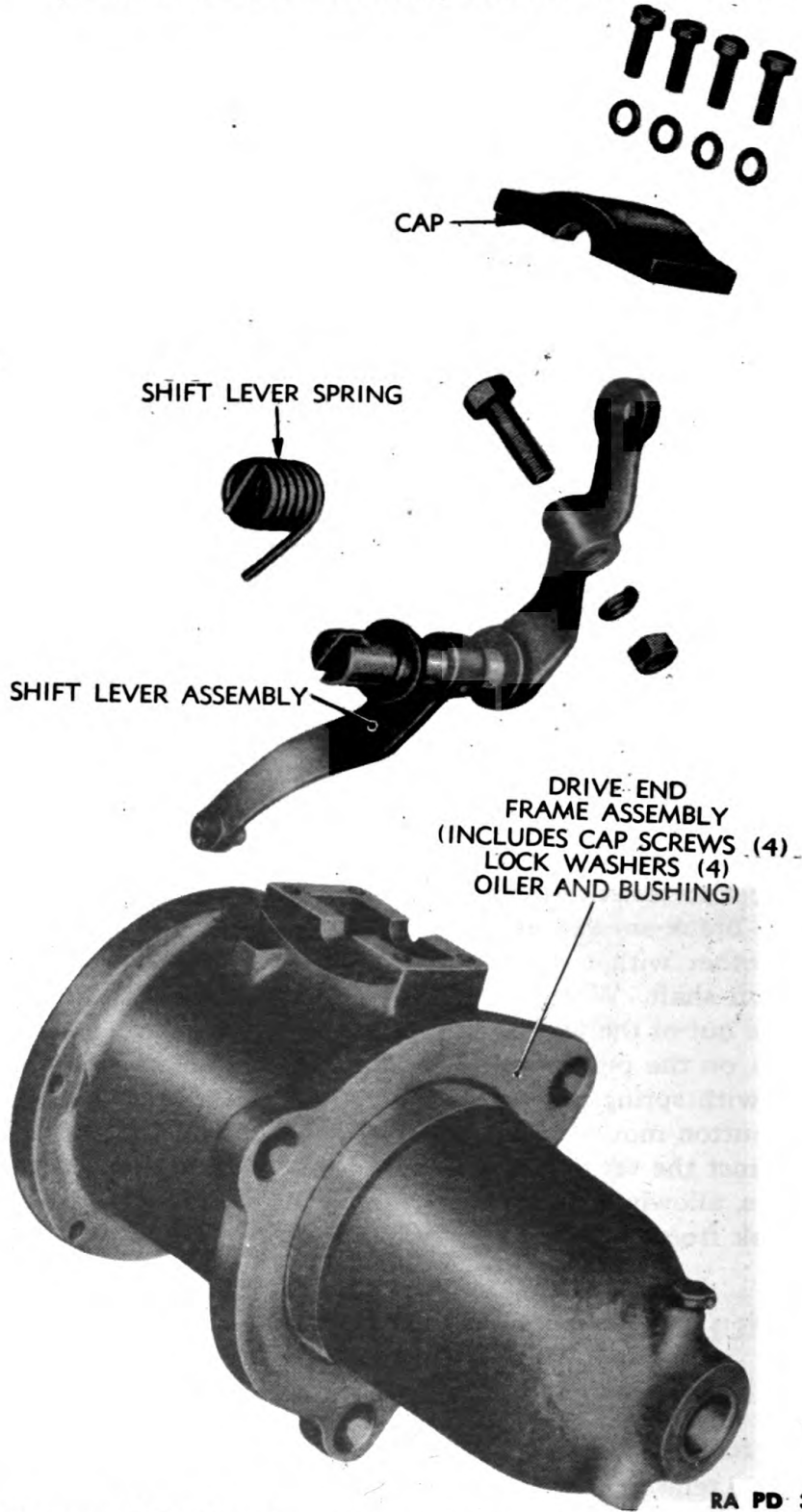
Brush spring tension 36-40 ounces.

No load—100 amperes at 11.6 volts at 5,000 revolutions per minute.

Lock test—20 pound-feet at 570 amperes at 2.3 volts.

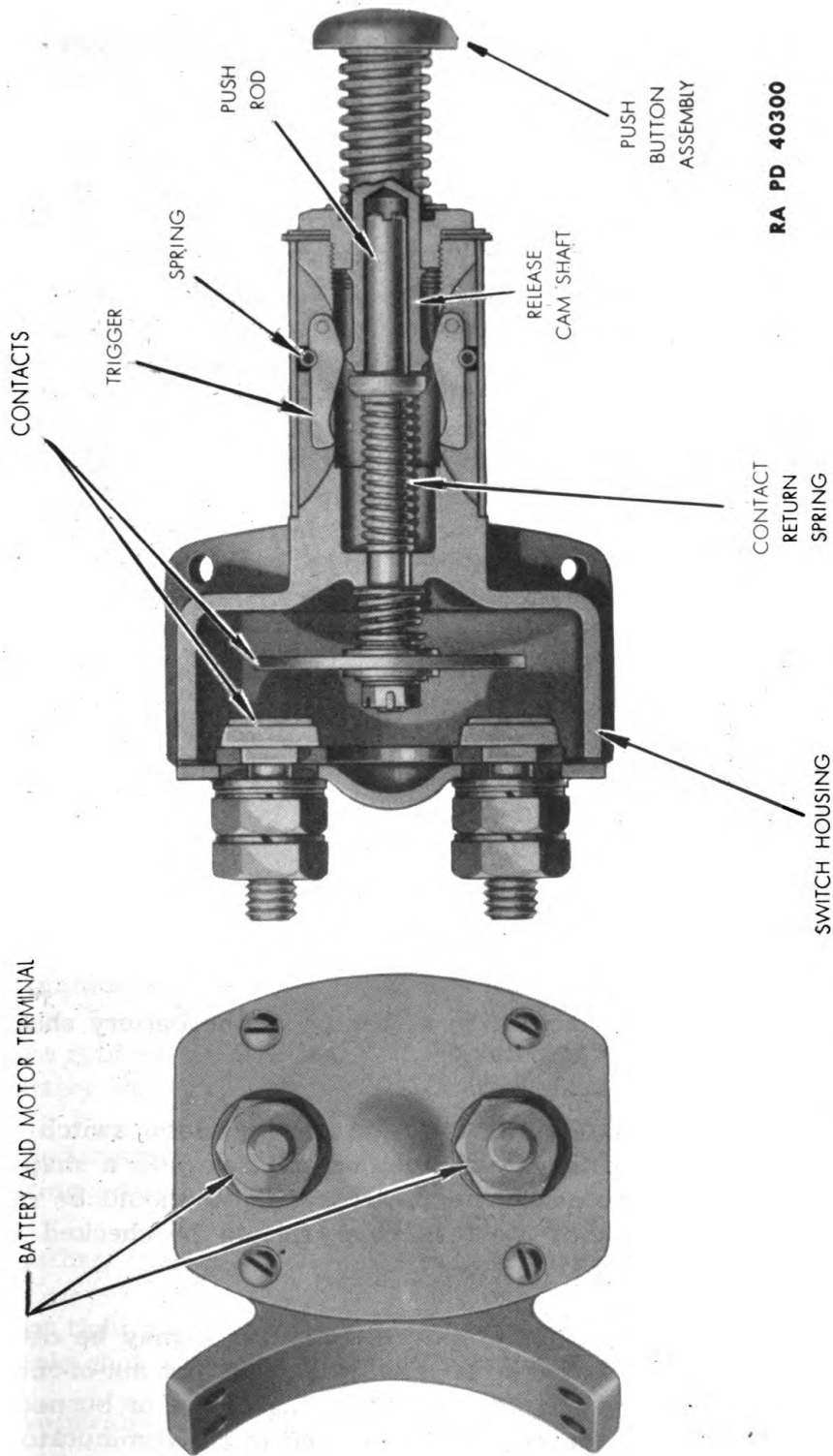
TM 9-1783B  
132

**ORDNANCE MAINTENANCE — MEDIUM TRACTOR M1  
(ALLIS-CHALMERS HD-7W) ENGINE ACCESSORIES**



**Figure 127 — Starting Motor Drive End Frame Assembly —  
Exploded View**

STARTING MOTOR



RA PD 40300

Figure 128 — Cutaway View of Starting Motor Switch

**ORDNANCE MAINTENANCE — MEDIUM TRACTOR M1  
(ALLIS-CHALMERS HD-7W) ENGINE ACCESSORIES****133. OPERATIONAL CHECKS AND INSPECTION.**

**a. Maintenance Checks.** Operational maintenance checks are defined as the checks made during the operation of the equipment. These checks give the operator some idea as to the condition of the starting motor so that if some abnormal condition of operation is noted, corrections may be made before complete failure of the unit takes place, with a consequent failure to start the engine. During starting, the action of the starting motor should be noted. In normal atmospheric temperatures of around 70 F the starting motor should take hold promptly and spin the engine at normal cranking speeds. In cold weather the engine would, of course, turn over harder and starting motor speed would naturally be decreased. After the engine starts and the starting motor switch is opened, the starting motor should stop operating. If the starting motor cranks the engine slowly or not at all, the equipment should be checked (par. 134). Failure to crank normally can be due to a low battery, defective battery cables, poor connections in the starting motor to battery circuit (including switch), defective starting motor, low temperatures, or various conditions in the engine. **CAUTION:** The starting motor must never be used for more than 30 seconds at any one time without a pause of several minutes to wait until the starting motor cools off. The starting motor must never be used to move the vehicle. Failure to observe these rules may result in complete failure of the starting motor.

**b. Inspection Checks.** Inspection checks include a periodic investigation every 100 hours of operation of the condition of the battery, battery cables and connections, starting motor switch, commutator, brushes, lead connections, and mounting.

(1) **BATTERY.** The condition of charge of the battery should be noted as outlined in TM 9-783B.

(2) **STARTING MOTOR SWITCH.** The starting motor switch should operate without binding, release the contact disk with a snap when the push button is released and the contact disk should be making good clean contact with the terminals (this to be checked at the periodic overhaul period).

(3) **COMMUTATOR.** The armature commutator may be observed by removing the cover band. It should be clean, not out-of-round or excessively worn, and should be without high mica or burned bars. Armature leads must be properly connected to the commutator riser bars, and the banding wire should be in place. Failure to meet these specifications requires that the armature be removed and the commutator serviced (par. 143).

## STARTING MOTOR

(4) **BRUSHES.** The brushes must be making good contact with the commutator and must not be worn any shorter than  $\frac{1}{4}$  inch (from an original length of  $\frac{1}{2}$  inch). If worn down to, or almost to, this length, replace.

(5) **LEAD CONNECTIONS.** Lead connections must be tight and in good condition.

(6) **MOUNTING.** Mounting bolts must be tight.

(7) **DRIVE ASSEMBLY.** The drive assembly cannot be observed with the starting motor mounted on the engine, but its action can be noted by observing the operation of the starting motor.

c. **Periodic Disassembly.** At periodic intervals of 400 hours of operation, the starting motor should be removed from the engine, disassembled, and all parts cleaned and inspected (pars. 136 through 143). This guards against failure of the equipment at some critical instant, and must be considered an important part of the preventive maintenance routine.

### 134. TROUBLE SHOOTING.

#### a. Slow Starting Motor Speed.

Possible Cause	Possible Remedy
Loose connections.	Tighten connections.
Dirty connections.	Clean connections.
Defective cables.	Replace cables.
Worn brushes.	Replace brushes.
Dirty armature.	Clean armature.
Worn commutator.	Cut commutator or replace armature.
Armature rubbing field coils.	Replace bushings.
Low battery voltage.	Check generator and voltage regulator unit.
Discharged battery.	Test battery with hydrometer.
Lubricating oil too heavy.	See lubrication specifications (TM 9-783B).
Cold weather.	See "Engine starting instructions" (TM 9-783B).
Frozen or tight bearings.	Check bearings.
Loose pole shoe screws.	Inspect starting motor.

#### b. Inoperative Starting Motor.

Battery discharged.	Charge battery.
Poor connections.	Clean, tighten.
Burned commutator bars.	Recut commutator.

**ORDNANCE MAINTENANCE — MEDIUM TRACTOR M1  
(ALLIS-CHALMERS HD-7W) ENGINE ACCESSORIES**

Possible Cause	Possible Remedy
Open or short circuits in field or armature.	Eliminate defective condition.
Starting motor switch points dirty.	Clean.
Defective starting motor switch.	Check contacts.
Defective circuit breaker.	Replace.
Open circuit between battery and starting motor or in starting motor itself.	Check circuits.
Brush leads loose.	Tighten leads.
Armature dirty.	Clean armature.
Brushes worn or dirty.	Clean or replace brushes.

**135. INOPERATIVE OR SLOW CRANKING MOTOR.**

a. In the event of an inoperative or slow cranking starting motor, a quick check may be made to find the approximate location of trouble by turning on the lights and operating the starting motor. One of three things will happen: the lights will go out, the lights will dim, or the lights will stay bright with no cranking action.

(1) **LIGHTS GO OUT.** When the lights go out as an attempt to crank is made, it often indicates a defective connection in the circuit between the starting motor and battery. Enough current can get through the bad connection to light the lights, but when the starting motor switch is closed, most of the current which can get through flows through the starting motor, so the lights go out. Not enough current can get through to operate the starting motor. The correction is to clean and tighten the connections and replace any defective cable.

(2) **LIGHTS DIM.** If the lights dim appreciably when the starting motor is operated and the starting motor operates slowly, it is often an indication of a discharged battery. The discharged battery can supply enough current to light the lights, but throwing the added burden of cranking on the battery causes the voltage to drop off and the lights to dim.

(3) **LIGHTS STAY BRIGHT.** If the lights stay bright with no cranking action when the starting motor switch is operated, it is an indication of an open circuit between the starting motor and battery, or within the starting motor itself. The circuit and switch should be examined for opens. If current is being delivered to the starting motor, the cover band should be removed and the brushes, commutator, and leads should be examined. The brushes should be making good clean contact with the commutator, the commutator must be



## STARTING MOTOR

clean, and the brush leads tight. If the brushes are worn, or if the commutator is dirty, gummy, burned, or has high mica, then that may be the cause of the open circuit and the proper correction must be made. Worn brushes should be replaced. If the starting motor is considered to be defective and the trouble (brushes, commutator, or connections) is not readily apparent, the starting motor should be removed from the vehicle and checked on the no load and torque tests and with a test lamp and points as outlined in the following paragraph.

### 136. REMOVAL OF STARTING MOTOR FROM ENGINE.

#### a. Equipment.

PLIERS  
WRENCH,  $\frac{9}{16}$ -in.  
WRENCH,  $\frac{3}{4}$ -in. (2)

WRENCH, open-end,  
 $1\frac{5}{16}$ -in.  
WRENCH, socket,  $\frac{7}{8}$ -in.,  
with long extension

#### b. Procedure.

##### (1) REMOVE WINCH DRIVE SHAFT GUARD.

WRENCH,  $\frac{9}{16}$ -in.                      WRENCH,  $\frac{3}{4}$ -in. (2)

Remove three cap screws from front end of guard ( $\frac{9}{16}$ -in. wrench) and three bolts from rear of guard ( $\frac{9}{16}$ - and  $\frac{3}{4}$ -in. wrenches) and lift off guard.

##### (2) REMOVE FRONT FENDER.

WRENCH,  $\frac{3}{4}$ -in. (2)

Remove three bolts and two cap screws and remove left front fender.

##### (3) DISCONNECT BATTERY CABLE.

WRENCH,  $\frac{3}{4}$ -in.

Disconnect battery cable from starting motor switch. Tape the end of cable to prevent it from touching metal and shorting. Remove other wires on same post.

##### (4) DISCONNECT STARTING MOTOR ROD.

PLIERS

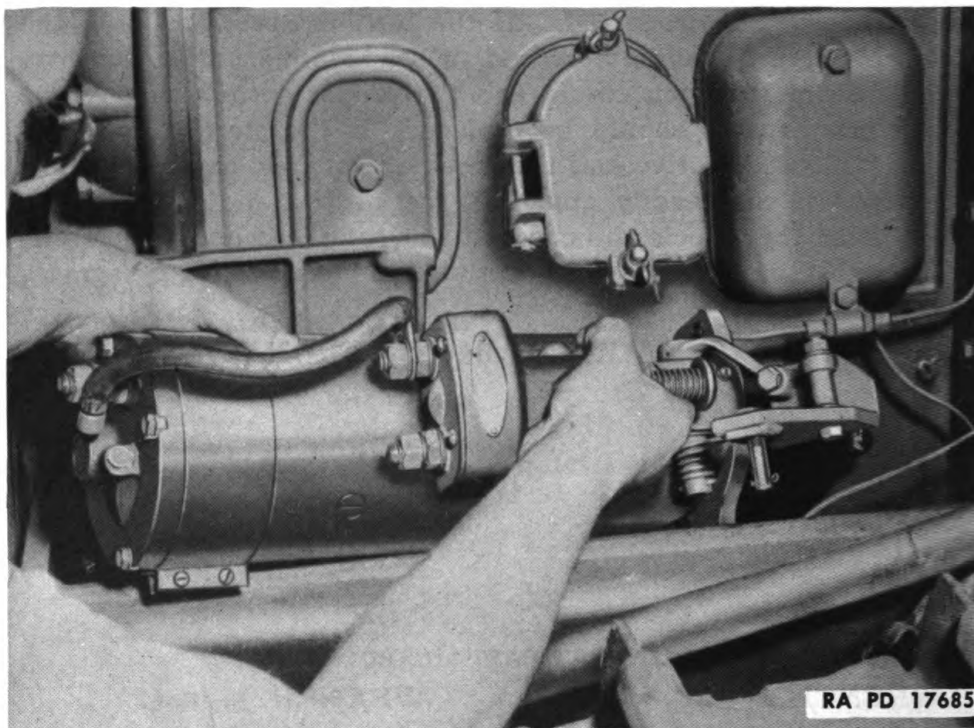
Remove pin from yoke of shift lever.

##### (5) REMOVE BOLTS HOLDING STARTING MOTOR.

WRENCH, open-end,                      WRENCH, socket,  $\frac{7}{8}$ -in.,  
 $1\frac{5}{16}$ -in.                                      with long extension

Remove the two cap screws ( $\frac{7}{8}$ -in. socket wrench) and one bolt ( $1\frac{5}{16}$ -in. open-end wrench and  $\frac{7}{8}$ -in socket wrench) holding starting motor to flywheel housing.

**ORDNANCE MAINTENANCE—MEDIUM TRACTOR M1  
(ALLIS-CHALMERS HD-7W) ENGINE ACCESSORIES**



**Figure 129 – Removing Starting Motor**

**(6) REMOVE STARTING MOTOR.**

Jar the starting motor loose and remove from tractor.

**137. DISASSEMBLY INTO MAIN SUBASSEMBLIES (fig. 124).**

**a. Equipment.**

HAMMER, 1/2-lb  
HAMMER, soft  
PUNCH, small  
SCREWDRIVER, 6-in.

SCREWDRIVER, 8-in.  
WRENCH, 7/16-in.  
WRENCH, 3/4-in.

**b. Procedure.**

**(1) DETACH STARTING MOTOR SWITCH.**

SCREWDRIVER, 8-in.                      WRENCH, 3/4-in.

Detach switch by removing nut (3/4-in. wrench) which attaches connector cable lead to switch terminal. Remove four screws (8-in. screwdriver) which attach switch to field frame, and lift off switch.

**(2) DETACH DRIVE END FRAME HOUSING ASSEMBLY.**

HAMMER, 1/2-lb                      PUNCH, small  
HAMMER, soft                      WRENCH, 7/16-in.

## STARTING MOTOR

Mark drive housing assembly center bearing and field frame so relationship is established. Bend up tangs on the five locking washers (hammer and punch) and remove five cap screws ( $\frac{7}{16}$ -in. wrench) and locking washers. Tap end frame away from field frame (soft hammer).

### (3) LIFT OUT ARMATURE.

Armature, with center bearing and Dyer drive assembly, will come out of field frame and drive end frame.

### (4) DETACH COMMUTATOR END FRAME ASSEMBLY.

HAMMER,  $\frac{1}{2}$ -lb  
HAMMER, soft  
PUNCH

SCREWDRIVER, 6-in.  
WRENCH,  $\frac{7}{16}$ -in.

Mark commutator end frame and field frame so relationship is established. Remove cover band by loosening screw (screwdriver). Note relationship of brush leads and brushes. Disconnect two leads from field coil conductors by removing two screws (screwdriver). Bend up tangs on locking washers (hammer and punch) and remove four screws ( $\frac{7}{16}$ -in. wrench) and locking washers. Tap commutator end frame assembly free (soft hammer).

## 138. DISASSEMBLY OF COMMUTATOR END FRAME ASSEMBLY.

### a. Equipment.

PRESS, arbor  
SCREWDRIVER, 8-in.

WRENCH,  $\frac{3}{4}$ -in.

### b. Procedure (fig. 16).

#### (1) REMOVE BRUSH PLATE ASSEMBLY.

SCREWDRIVER, 8-in.

WRENCH,  $\frac{3}{4}$ -in.

From terminal, remove nut ( $\frac{3}{4}$ -in. wrench) lock washer, connector cable, nut, lock washer, flat washer, and two insulating washers. Remove three screws (screwdriver), lock washers, and flat washers and lift brush plate assembly from commutator end frame assembly. Remove from terminal eight small insulating washers and two large insulating washers.

#### (2) DISASSEMBLE BRUSH PLATE ASSEMBLY (fig. 130).

Remove six brush lead attaching screws (screwdriver), lift up on brush springs, and remove eight brushes. (NOTE: Further disassembly will not be required normally unless insulators, brush holders,

ORDNANCE MAINTENANCE—MEDIUM TRACTOR M1  
(ALLIS-CHALMERS HD-7W) ENGINE ACCESSORIES

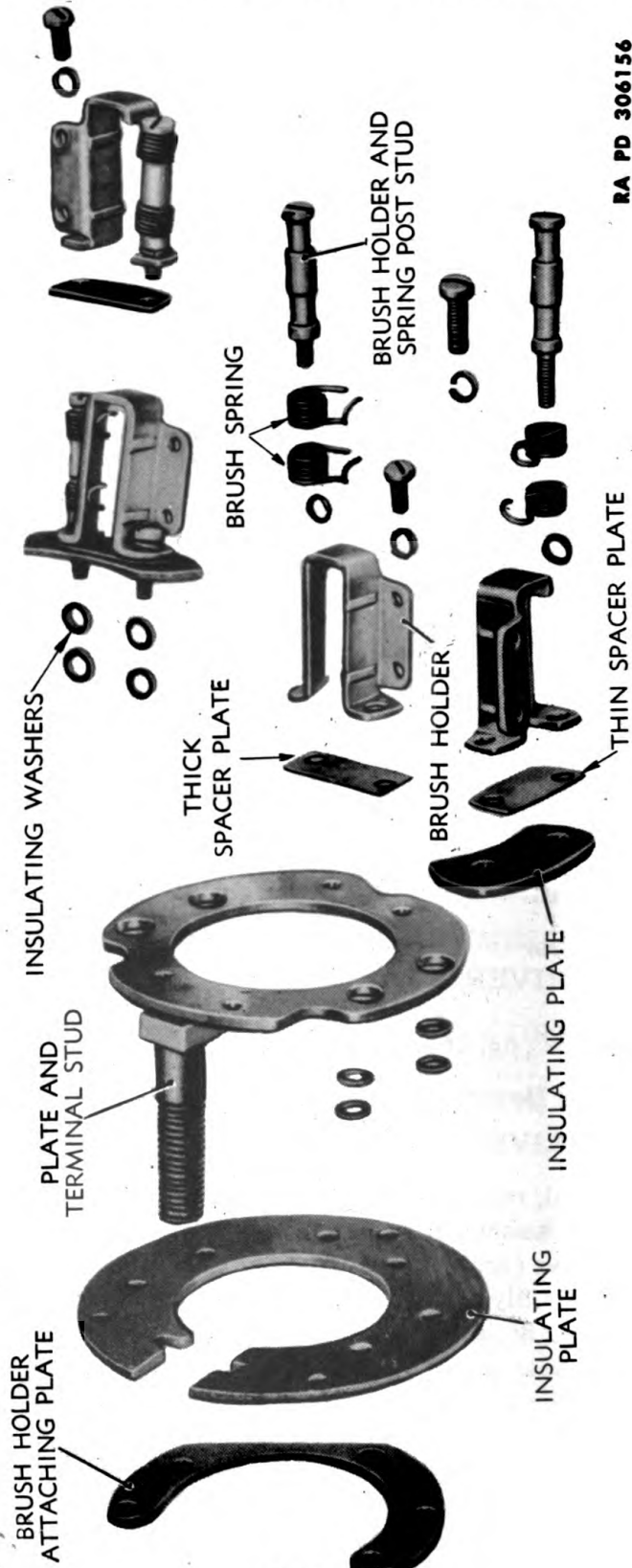


Figure 130 — Starting Motor Brush Plate Assembly — Exploded View

## STARTING MOTOR

springs, or plates require replacement.) Remove brush holders to which were attached field coil leads by unscrewing brush holder and spring post stud and brush holder screw (screwdriver). Two springs will come off with each brush holder and spring post stud. There are lock washers under the stud and screw. Parts will come off in following order: brush holder, thin spacer plate, insulating plate, four insulating washers, and (from opposite side) brush holder, attaching plate, and insulating plate. Remove other two brush holders from plate and stud assembly by unscrewing post studs and screws (screwdriver). Under each will be a lock washer. Brush holders and thick spacer plate will come off. Two brush springs come off of each post stud.

### (3) PRESS OUT COMMUTATOR END FRAME BUSHING.

**PRESS**, arbor

If the bushing is worn, it may be pressed out and a new one installed. The plug must first be removed. Install new oil wick and oiler as required.

### (4) BRAKE WASHER.

Remove old brake washer and install new one (shellack in place), if necessary.

## 139. DISASSEMBLY OF FIELD FRAME ASSEMBLY.

### a. Equipment.

**SCREWDRIVER**, pole shoe                      **SCREWDRIVER**, 6-in.

### b. Procedure (fig. 126).

#### (1) DISCONNECT FIELD COILS FROM FIELD FRAME.

**SCREWDRIVER**, 6-in.

Disconnect field coils from field frame, by removing screws.

#### (2) REMOVE FIELD COILS FROM FRAME.

**SCREWDRIVER**, pole shoe

Remove field coils from field frame by removing eight pole shoe screws, four pole shoes, and coils. Be careful with coils to avoid bending lead connections or damaging insulation.

## 140. DISASSEMBLY OF DRIVE END FRAME ASSEMBLY.

### a. Equipment.

**PRESS**, arbor    **SCREWDRIVER**, 8-in.

**TM 9-1783B**

**140-142**

**ORDNANCE MAINTENANCE — MEDIUM TRACTOR M1  
(ALLIS-CHALMERS HD-7W) ENGINE ACCESSORIES**

**b. Procedure (fig. 127).**

**(1) REMOVE SHIFT LEVER ASSEMBLY.**

**SCREWDRIVER, 8-in.**

Remove shift lever assembly by removing four screws, cap, shift lever assembly, and shift lever spring.

**(2) PRESS OUT BUSHING.**

**PRESS, arbor**

If the bushing is defective, it may be pressed out and a new one installed. Install new wick and oiler as required.

**141. DISASSEMBLY OF DYER DRIVE ASSEMBLY.**

**a. Equipment.**

**PLIERS**

**PRESS, arbor**

**b. Procedure (fig. 124).**

**(1) REMOVE DYER DRIVE PARTS FROM ARMATURE SHAFT.**

**PLIERS**

Remove cotter pin, pinion stop, pinion, spring, pinion guide, shift sleeve, two space washers, center bearing assembly, and collar, from armature shaft, in order named. After cotter pin has been removed, pinion stop must be rotated until notches register with shaft splines before it can be removed. Rest of assembly slides off easily (press against shift sleeve).

**(2) REPLACE BUSHING IN CENTER BEARING, IF NECESSARY.**

**PRESS, arbor**

Replace wick and oiler, as required.

**142. DISASSEMBLY OF STARTING MOTOR SWITCH.**

**a. Equipment.**

**PLIERS**

**WRENCH, 3/4-in.**

**SCREWDRIVER, 8-in.**

**WRENCH, 1 1/4-in.**

**WRENCH, 7/16-in.**

**b. Procedure (fig. 131).**

**(1) REMOVE TERMINAL PLATE ASSEMBLY.**

**SCREWDRIVER, 8-in.**

Remove four screws and lift off terminal plate assembly.

STARTING MOTOR

RA PD 306157

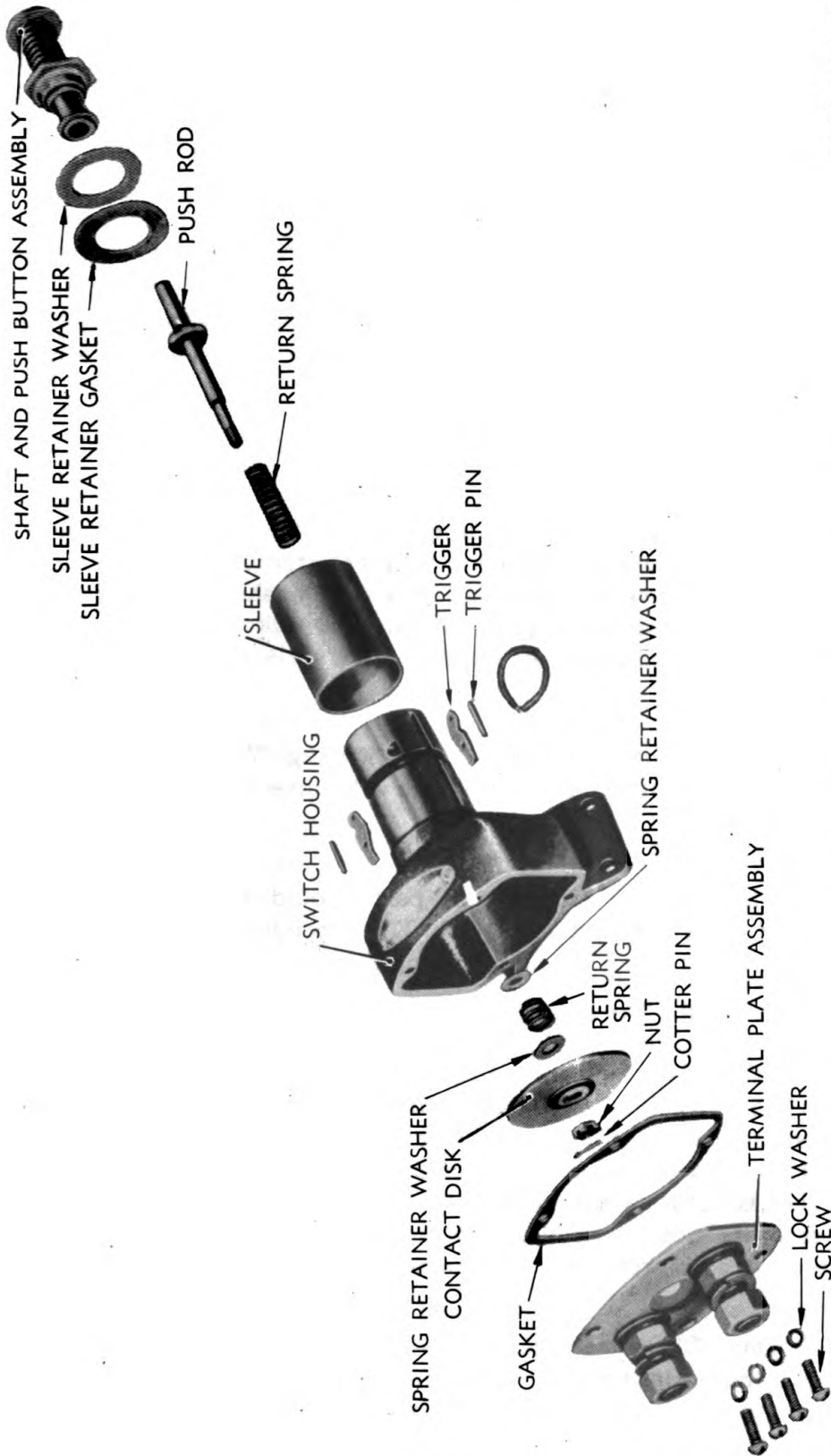


Figure 131 — Starting Motor Switch — Exploded View

## TM 9-1783B

142-143

### ORDNANCE MAINTENANCE—MEDIUM TRACTOR M1 (ALLIS-CHALMERS HD-7W) ENGINE ACCESSORIES

#### (2) DETACH SHAFT AND PUSH BUTTON ASSEMBLY.

WRENCH, 1¼-in.

Unscrew push button shaft nut and remove push button and shaft assembly, sleeve retainer washer, gasket, and sleeve from housing.

#### (3) DETACH CONTACT DISK.

PLIERS

WRENCH, 7/16-in.

Remove cotter pin (pliers) unscrew castellated nut (7/16-in wrench) and lift off, in the order named, contact disk spring retainer, cupped washer, spring, and spring retainer cupped washer. Remove from opposite end of housing, return spring and push rod.

#### (4) DISASSEMBLE TERMINAL PLATE ASSEMBLY.

WRENCH, 3/4-in.

Disassemble terminal plate assembly further, if necessary, by removing gasket, and removing from each terminal stud: nut, lock washer, washer, large insulating washer, small insulating washer, terminal plate, and terminal stud insulating plate. A nut and lock washer have previously been removed from each stud.

#### (5) DETACH TRIGGERS.

Remove coil spring from undercut in housing. With piece of stiff wire, push out two trigger pins. Triggers will come out.

### 143. INSPECTION AND REPAIR.

a. **General.** After disassembly, all parts should be cleaned and examined, and defective parts replaced. The procedure of cleaning and inspecting parts is given in the following steps.

(1) **ARMATURE.** Do not clean the armature by any degreasing method, since this would damage the insulation and might ruin the armature. Wipe with a clean cloth *slightly* dampened with CARBON TETRACHLORIDE or SOLVENT, dry-cleaning. If commutator is rough, out-of-round, has high mica, filled slots, or is burned, it must be turned down in a lathe and the mica undercut (par. 109). The shaft splines should not be worn excessively and the undercut into which the pinion stop fits must provide a snug fit for the pinion stop. Armature may be checked or repaired for ground, open, or short circuit as follows:

(a) **Ground.** Check with test lamp and test points from the commutator to the armature shaft or lamination. If the lamp lights, indicating ground, and if the ground is not readily apparent and repairable, the armature must be replaced.



## STARTING MOTOR

(b) *Open.* An open circuited armature is often easy to detect, since this condition produces some badly burned commutator bars while other bars are fairly clean. The bars connected to the open armature windings soon burn in operation, since every time they pass under the brushes they interrupt a flow of current so that heavy arcing occurs. The open will usually be found at the commutator riser bars and is often a result of excessively long cranking periods which overheat the unit and cause the connections to become bad. If the bars are not too badly burned the armature may often be saved by placing the armature in a lathe and turning down the commutator. This may also be done and should be done for a commutator that is worn, dirty, out-of-round, has high mica, or filled slots. Make cut no deeper than necessary. Minimum diameter of commutator is 2 inches (original  $2\frac{1}{8}$  in.). If it is necessary to turn commutator down below this diameter, discard armature. Undercut mica  $\frac{1}{32}$  inch (fig. 115).

(c) *Short.* A shorted armature may be detected on a growler. The growler is a strong electromagnet connected to a source of alternating current. When a shorted armature is placed on the growler, and a hacksaw blade held above the shorted coils in the armature, the blade will be alternately attracted to and repelled from the armature, causing the blade to buzz against the armature. Before discarding an armature testing shorted, inspect the commutator slots carefully, since copper or brush dust sometimes collects in the slots and shorts adjacent bars.

(d) *Armature Banding Wire Loose.* If the banding wire has loosened, it may sometimes be repaired by rewinding tightly and resoldering (silver solder).

(2) **FIELDS.** The fields should not be cleaned by any degreasing method, since this would damage the insulation and might ruin the windings. Clean by wiping with a clean, dry cloth. Be careful in handling the windings to avoid breaking or weakening the connecting leads between windings. If the field insulation is charred or chafed so that the windings are exposed, it is sometimes possible to rewrap them with insulating tape and paint them with insulating compound. It must be remembered that if the wrapping is done carelessly so the insulation bulks up too large, it will be impossible to reassemble the coils under the pole shoes. All soldered connections should be made with rosin-flux solder.

(3) **BRUSHES.** If the brushes are worn down to  $\frac{1}{4}$  inch (original length  $\frac{1}{2}$ -in.) replace. Make sure that the pig tail leads are tight in the brushes and that the clips are fastened well to the leads.

(4) **BRUSH SPRINGS.** The brush springs should have sufficient tension to provide the proper pressure between the brushes and commu-

**ORDNANCE MAINTENANCE — MEDIUM TRACTOR M1  
(ALLIS-CHALMERS HD-7W) ENGINE ACCESSORIES**

tator after the unit is assembled. This may be checked by placing the armature and commutator end frame together in their normal operating position and then placing the brushes in their holders with the springs in place so that the tension of the springs against the brushes can be measured with a spring gage (par. 132). Replace springs if the tension is not correct.

(5) **BUSHINGS.** If the bushings are worn, they should be replaced. Wear will not be even, but greatest on the side which sustains the thrust during cranking. If new bushings are installed, they should be finished as follows:

Commutator end .....	Ream and burnish to 0.562 -0.564	inch
Center bearing .....	Ream and burnish to 1.122 -1.125	inch
Drive housing .....	Ream and burnish to 0.7805-0.7825	inch

After a bushing is pressed in and reamed to size, the oil wick hole must be drilled out. This throws up a bur, which must be removed with a burnishing tool of the same size as the reamer. Bushings must be reamed concentric with machined registers on castings.

(6) **BRUSH HOLDERS.** If the brush holders, spacer plates, insulators, etc., are warped, cracked, burned, or otherwise damaged, replace.

(7) **STARTING MOTOR SWITCH.** The switch contacts should be clean, and the contact return springs sufficiently strong to provide normal pressure between the contact disk and terminals, when the contact return spring is latched by the trigger arms.

(8) **DYER DRIVE PARTS.** Pinion stop must not be worn and, on assembly, must fit in shaft undercut snugly. Pinion teeth must not be worn, burred, or chipped excessively. Shift sleeve assembly must be in good condition, with parts tightly fastened together.

(9) **MISCELLANEOUS.** Any defective insulator, screw, washer, lead, stud, plate, etc., should be replaced. Cracked, bent, worn, burned insulators, or washers are defective. Studs or screws which are bent, battered, broken, or which have crossed or damaged threads are defective. Leads which have broken strands or frayed insulation are defective.

(10) **BEARING FITS.** The armature shaft and bushings measure as follows:

	<b>Drive End</b>	<b>Center Bearing</b>	<b>Commutator End</b>
Bushing .....	0.7805-0.7825	1.122-1.125	0.562 -0.564
Shaft .....	0.778 -0.779	1.112-1.113	0.5595-0.5605

**STARTING MOTOR****144. ASSEMBLY OF STARTING MOTOR SWITCH.****a. Equipment.****PLIERS****SCREWDRIVER****WRENCH,  $\frac{7}{16}$ -in.****WRENCH,  $\frac{3}{4}$ -in.****WRENCH,  $1\frac{1}{4}$ -in.****b. Procedure (par. 6 a).****(1) INSTALL TRIGGERS.**

Install triggers in housing and secure with pins. Place spring in undercut in housing.

**(2) ASSEMBLE TERMINAL PLATE ASSEMBLY.****WRENCH,  $\frac{3}{4}$ -in.**

On terminal studs, place, in the order named, terminal stud insulating plate, terminal plate, small insulating washer, large insulating washer, washer, lock washer, and nut. Contacts on stud heads should be positioned so maximum area will contact the contact disk.

**(3) ATTACH CONTACT DISK.****PLIERS****WRENCH,  $\frac{7}{16}$ -in.**

Coat stop flange on push rod with **PETROLATUM** and put spring and push rod in housing. On threaded end of rod, place spring retainer washer, spring, spring retainer washer, contact disk, nut, and cotter pin (pliers). Cups in washers must face spring. Run nut down until castellations clear cotter pin hole in push rod ( $\frac{7}{16}$ -in. wrench).

**(4) ATTACH SHAFT END PUSH BUTTON ASSEMBLY.****WRENCH,  $1\frac{1}{4}$ -in.**

Apply **PERMATEX** to bottom inside surface of sleeve. Put sleeve on housing. Coat shaft with **PETROLATUM**, place gasket and flat washer on housing, insert push button and shaft assembly and secure by running down nut.

**(5) ATTACH TERMINAL PLATE ASSEMBLY.****SCREWDRIVER, 8-in.**

Attach terminal plate assembly with four screws. Plate may be ground off to match curvature of switch mounting bracket. Be sure this part of plate is assembled to conform with curvature.

**TM 9-1783B**

**145-148**

**ORDNANCE MAINTENANCE — MEDIUM TRACTOR M1  
(ALLIS-CHALMERS HD-7W) ENGINE ACCESSORIES**

**145. ASSEMBLY OF DYER DRIVE ASSEMBLY.**

- a. **Assembly of Dyer Drive Assembly (fig. 124).**

**PLIERS**

Place on the armature shaft, in the order named, space collar, center bearing assembly, small space washer, large space washer, shift sleeve, pinion guide, spring, pinion, pinion stop, and cotter pin. Side of center bearing assembly which projects most goes toward armature. Cupped side of large space washer is away from armature. Pinion guide is placed on shaft with lugs toward pinion (fig. 124). Make lugs on pinion guide engage in pinion slots by holding pinion guide near end of shaft, placing spring in pinion, and starting pinion on splines with pinion guide lugs engaged in pinion slots. Push pinion on shaft. With pinion stop in place, turn until holes aline, insert cotter pin, and secure (pliers).

**146. ASSEMBLY OF DRIVE END FRAME ASSEMBLY.**

- a. **Assembly of Drive End Frame Assembly (fig. 127).**

**PLIERS**

**SCREWDRIVER, 8-in.**

Place cap on shift lever and assemble to drive end frame with four screws (screwdriver). Place spring on shaft lever shaft with long tang on drive end frame boss. Catch other end of spring, twist it in a counterclockwise direction, and drop end into slot in end of shaft (pliers).

**147. ASSEMBLY OF FIELD FRAME ASSEMBLY.**

- a. **Equipment.**

**SCREWDRIVER, pole shoe**  
**SCREWDRIVER, 6-in.**

**SPREADER, pole shoe**

- b. **Procedure (fig. 126).**

Place field coils in position in frame with pole shoes, insert pole shoe spreader, tighten, and, with pole shoe screwdriver, tighten pole shoe screws (two per pole shoe). Fasten coil leads to frame with screws (screwdriver).

**148. ASSEMBLY OF COMMUTATOR END FRAME ASSEMBLY.**

- a. **Equipment.**

**SCREWDRIVER, 6-in.**  
**SCREWDRIVER, 8-in.**

**WRENCH, 3/4-in.**

## STARTING MOTOR

### b. Procedure (figs. 125 and 130).

#### (1) ASSEMBLE BRUSH PLATE ASSEMBLY.

SCREWDRIVER, 6-in.

Fasten two brush holders to plate and stud assembly with brush holder, spring post studs, and screws. One brush holder is assembled directly above terminal stud, while other is assembled 180 degrees from it. Use studs and screws with short threaded section. Thick spacer plates go under holders and lock washers go under screws and studs. Springs should go on post studs with hooked ends toward brush plate and down in holders. Put insulating plate in position on opposite side of plate and stud assembly and place brush holder attaching plate next to it. Secure by fastening other two brush holders with post studs and screws. Two insulating washers go in each screw hole to insulate studs and screws from plate and stud assembly. Above these go the small insulating plate, thin spacer plate, brush holder, lock washers, stud or screw. Springs should go on pins with hooked ends toward brush plate and down in holders. Place eight brushes in holders and secure six of the brush lead clips to brush holders with screws and lock washers. Do not install the two screws which also fasten field leads to holders. (These are the outside holders 90 degrees from stud.)

#### (2) ATTACH BRUSH PLATE ASSEMBLY.

SCREWDRIVER, 8-in.

WRENCH,  $\frac{3}{4}$ -in.

Place two large insulating washers and eight small insulating washers on terminal stud. Put brush plate assembly in position in commutator end frame and secure with three screws (screwdriver) and lock washers. Place on terminal stud two insulating washers, plain washer, lock washer, nut ( $\frac{3}{4}$ -in. wrench), connector cable, lock washer, and nut.

## 149. ASSEMBLY OF STARTING MOTOR.

### a. Equipment.

HAMMER,  $\frac{1}{2}$ -lb

SCREWDRIVER, 8-in.

PUNCH

WRENCH,  $\frac{7}{16}$ -in.

SCREWDRIVER, 6-in.

WRENCH,  $\frac{3}{4}$ -in.

### b. Procedure (fig. 124).

#### (1) ATTACH COMMUTATOR END FRAME AND FIELD FRAME.

HAMMER,  $\frac{1}{2}$ -lb

SCREWDRIVER, 6-in.

PUNCH

WRENCH,  $\frac{7}{16}$ -in.

Place commutator end frame and field frame together in correct relationship according to markings made during disassembly. Fasten

**ORDNANCE MAINTENANCE—MEDIUM TRACTOR M1  
(ALLIS-CHALMERS HD-7W) ENGINE ACCESSORIES**

with four screws and locking washers ( $\frac{7}{16}$ -in. wrench). Use new locking washers. Bend one tang up against screw head. Bend other tang down against frame (punch and hammer). Connect two field coil leads to brush holders with screw and lock washer. This also fastens brush lead clips to brush holders (screwdriver).

**(2) PUT ARMATURE IN POSITION.**

**SCREWDRIVER, 6-in.**

Armature, with center bearing and Dyer drive, may be placed in position with the commutator end of the shaft in the commutator end bushing. Lift up the eight brushes and cock them in their holders so they will be up out of the way of the commutator while this is being done. Then drop brushes down on commutator, put cover band on, and secure with screw.

**(3) ATTACH DRIVE HOUSING ASSEMBLY.**

**HAMMER, ½-lb  
PUNCH**

**WRENCH,  $\frac{7}{16}$ -in.**

Put drive end frame assembly in position on field frame. Bring in frame at an angle so the stud on the shift lever can engage the slot in the shift sleeve. Establish correct relationship of field frame, center bearing, and drive end frame as determined by markings made on disassembly. Secure with five screws ( $\frac{7}{16}$ -in. wrench) and locking washers. Bend one tang of washer up against screw head and other down against housing (hammer and punch).

**(4) ATTACH STARTING MOTOR SWITCH.**

**SCREWDRIVER, 8-in.**

**WRENCH,  $\frac{3}{4}$ -in.**

Attach starting motor switch to field frame with four screws (screwdriver). Attach connector cable to terminal stud with lock washer and nut ( $\frac{3}{4}$ -in. wrench).

**150. TESTING STARTING MOTOR.**

**a. Equipment.**

**AMMETER, high reading  
BATTERY  
EQUIPMENT, torque  
testing**

**INDICATOR, rpm  
VOLTMETER**

**b. Procedure.**

**(1) DYER DRIVE ADJUSTMENT.** When the shift lever has moved back against the starting motor switch and completed its travel so that the pinion is in the engaging position, it should be possible to move the pinion back  $\frac{1}{8}$  inch to  $\frac{3}{16}$  inch against the pinion spring (fig. 132).

STARTING MOTOR

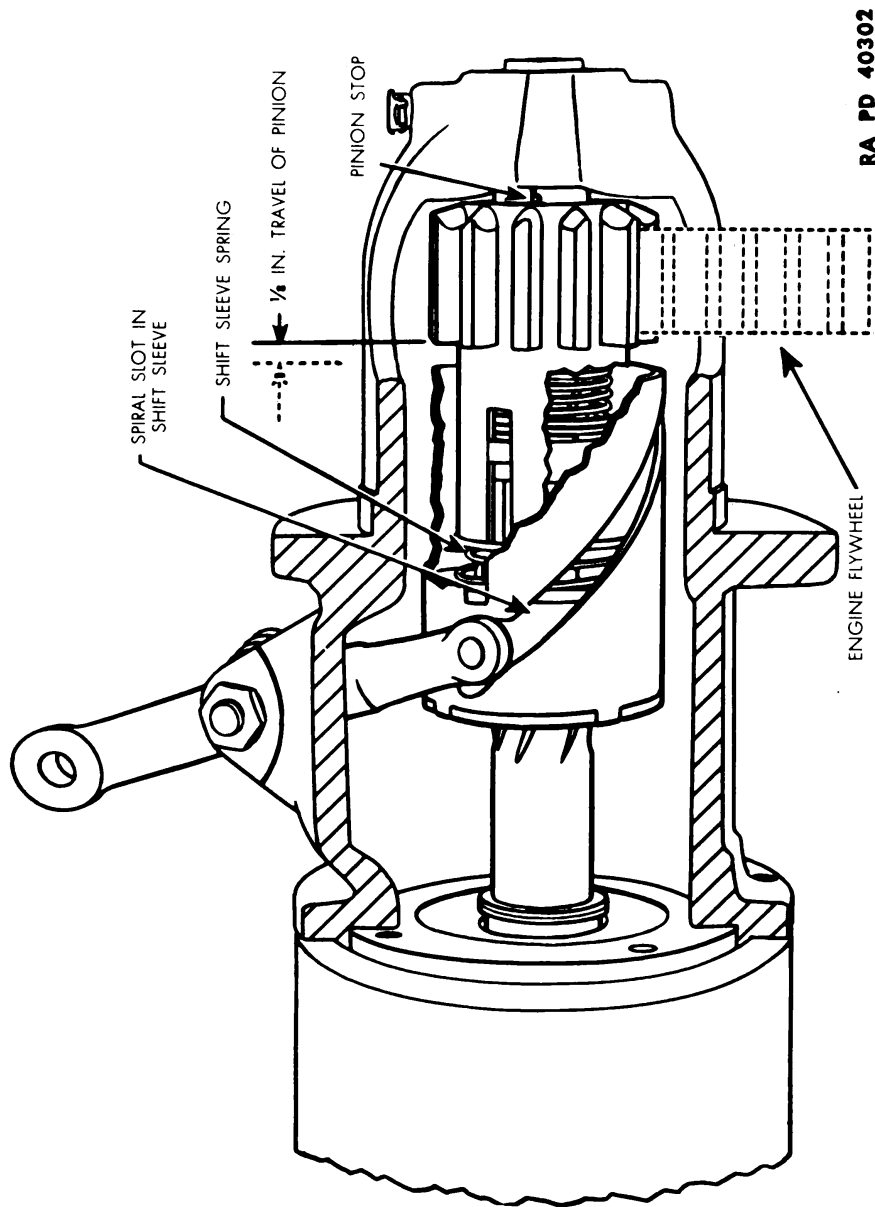


Figure 132 -- Dyer Drive Adjustment

**ORDNANCE MAINTENANCE — MEDIUM TRACTOR M1  
(ALLIS-CHALMERS HD-7W) ENGINE ACCESSORIES**

This travel can be adjusted by loosening the lock nut on the shift lever and turning the screw in or out as required. Adjustment must be accurate, since improper adjustment might put sufficient thrust against the pinion guide lugs to break them off.

(2) **NO LOAD TEST.** Connect the starting motor in series with a battery of the specified voltage and an ammeter capable of reading several hundred amperes. If a revolutions per minute indicator is available, read the armature revolutions per minute as well as the current draw with the unit running at no load speed.

(3) **TORQUE TEST.** Torque testing equipment is required for conducting a stall torque test of the starting motor. The torque developed, current draw, and voltage are checked together.

(4). **INTERPRETATION OF NO LOAD AND TORQUE TESTS.**

(a) Rated torque, current draw, and no load speed indicate normal condition of the starting motor.

(b) Low no load speed and high current draw with low developed torque may result from:

1. Tight, dirty, worn bearings, loose pole shoes which allow armature to drag.

2. Grounded armature or field. Check by raising brushes from armature commutator and testing with test lamp and points from starting motor terminal to frame and from commutator to frame. If the lamp lights, a ground exists. To check the fields for ground, the two field grounding screws at the opposite end of the field frame from the commutator must be removed and the fields then checked with the test points for ground.

3. Shorted armature. Check armature on growler.

(c) *Failure to Operate with High Current Draw.*

1. Direct ground in switch, at terminal or brushes.

2. Frozen shaft bearings which prevent armature from turning.

(d) *Failure to Operate with No Current Draw.*

1. Open field circuit. Trace with test lamp and points.

2. Open armature coils (par. 143).

3. Broken or weakened brush springs, worn brushes, high commutator mica, or other conditions which would prevent good contact between brushes and commutator.



## STARTING MOTOR

(e) Low no load speed with low torque and low current draw indicates:

1. Open field. Trace circuit with test lamp and points.
2. High internal resistance due to worn brushes, dirty commutator, or weak or worn brush springs, and other causes of poor contact between commutator and brushes.
3. Defective leads, connections.

(f) High no load speed with low developed torque and high current draw indicates shorted fields. It is difficult to detect shorted fields with ordinary testing instruments, since the field resistance is originally low. If shorted fields are suspected, install new fields and check for improvement in performance.

### 151. INSTALLATION OF STARTING MOTOR.

#### a. Equipment.

PLIERS	WRENCH, open-end,
WRENCH, $\frac{9}{16}$ -in.	$\frac{15}{16}$ -in.
WRENCH, $\frac{3}{4}$ -in. (2)	WRENCH, socket, $\frac{7}{8}$ -in., with long extension

#### b. Procedure.

##### (1) BOLT STARTER IN PLACE.

WRENCH, open-end, $\frac{15}{16}$ -in.	WRENCH, socket, $\frac{7}{8}$ -in., with long extension
---	--

Clean off mounting flange of starting motor and housing, set starting motor in housing, and bolt in place.

##### (2) INSTALL STARTING MOTOR ROD.

PLIERS	WRENCH, $\frac{9}{16}$ -in.
--------	-----------------------------

Connect starting motor rod on shift lever with pin washer and cotter pin (pliers). Adjust cap screw on shift lever as follows: Screw the cap screw in ( $\frac{9}{16}$ -in. wrench) so that the switch contacts do not touch when the lever is pushed all the way forward. Place the shifter lever in full forward position (the starting motor pinion will be against the stop). Back the cap screw out so that the switch contacts close. Pull the starting motor shift lever back and turn the adjusting screw out an **ADDITIONAL TWO TURNS**. Lock the nut.

##### (3) CONNECT BATTERY CABLE.

WRENCH,  $\frac{3}{4}$ -in.

**TM 9-1783B**  
**151-152**

**ORDNANCE MAINTENANCE—MEDIUM TRACTOR M1  
(ALLIS-CHALMERS HD-7W) ENGINE ACCESSORIES**

Connect battery cable, ammeter wire, and electric brake wire to starting motor switch post. Put on washer and nut and tighten.

**(4) INSTALL FENDER.**

**WRENCH, 3/4-in. (2)**

Install fender with bolts removed in removal procedure (par. 136).

**(5) INSTALL WINCH DRIVE SHAFT GUARD.**

**WRENCH, 9/16-in.**

**WRENCH, 3/4-in. (2)**

Install guard with three 3/8-x 1/2-inch cap screws in front end (9/16-in. wrench) and two 1/2-x 1-inch and one 1/2-x 1 1/4-inch bolts in rear end (9/16- and 3/4-in. wrenches).

**152. SPECIAL TOOLS.**

**a. Special tools required:**

**AMMETER  
EQUIPMENT, torque test-  
ing  
GROWLER**

**SCREWDRIVER, pole shoe  
SPREADER, pole shoe  
VOLTMETER**

## CHAPTER 7 LUBRICATION SYSTEM

### Section I

### DESCRIPTION OF SYSTEM

	Paragraph
Description of system.....	153

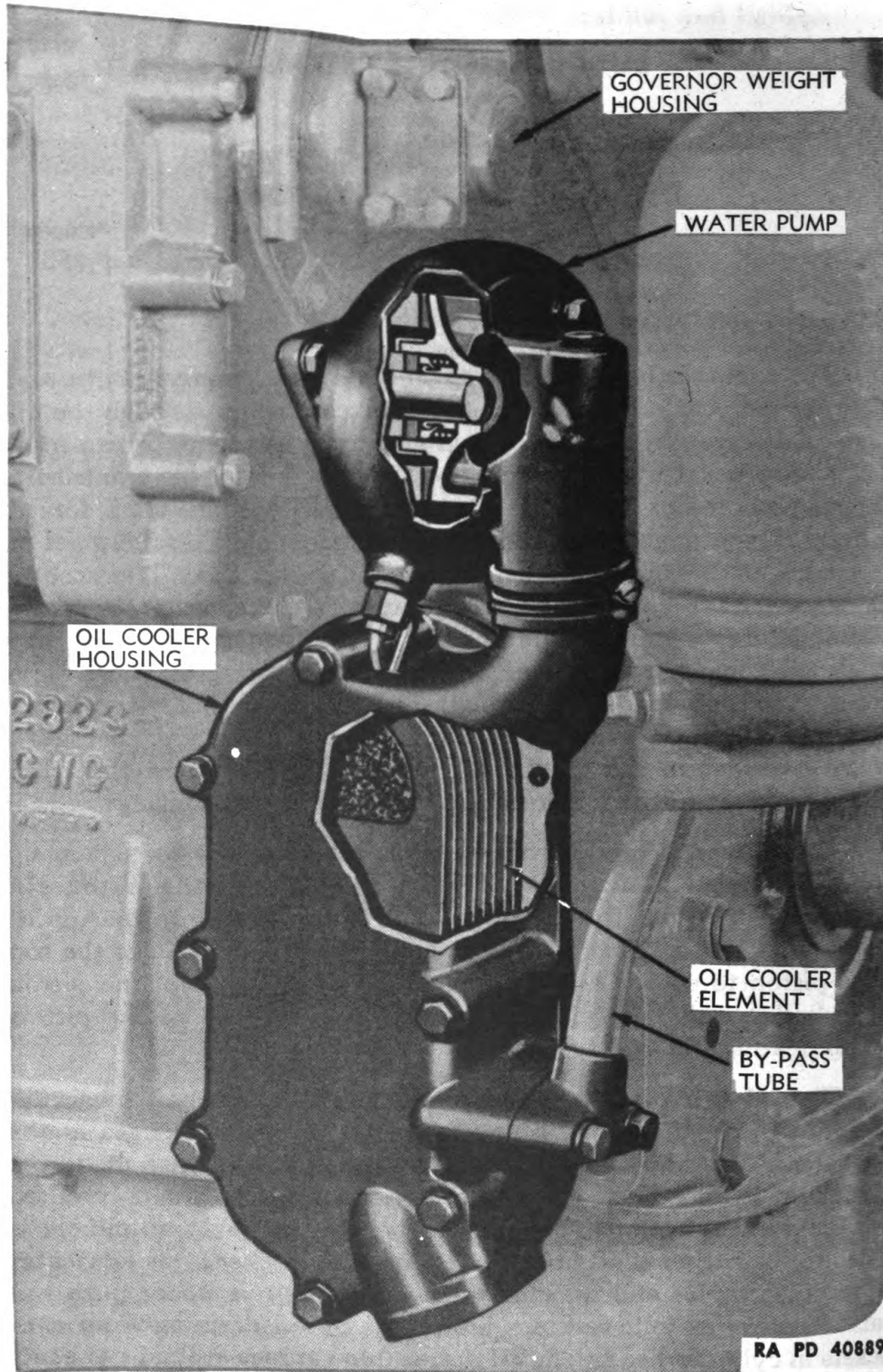
#### 153. DESCRIPTION OF SYSTEM.

a. The engine is lubricated by a combination pressure, gravity, and splash system. Oil is drawn from the crankcase sump through the oil pump inlet screen by a conventional gear type oil pump driven by a chain and sprocket from a sprocket on the front end of the crankshaft. The pump maintains a pressure of from 25 to 35 pounds. Oil is forced by the pump through the full-flow type filter mounted on the front of the engine. It then flows through an oil cooler (fig. 133). This cooler is a single-pass, multiple type cooling unit. Cooling water from the radiator is drawn through the housing by the water pump and surrounds the cooling unit through which the lubricating oil flows. The cooled oil is then conducted through drilled passages in the cylinder block to the main bearings, camshaft, balance shaft, and idler gear. Drilled passages in the crankshaft provide oil flow from the main bearing journals to the crankpins and connecting rod bearings.

b. Oil delivered to the connecting rod bearings is forced on up through a drilled passage in the connecting rod to the piston pin bushing and then out through four small holes located in the top of the connecting rod. This oil sprays against the under side of the top of the piston to cool it and runs back down the inside of the piston and cylinder walls, carrying heat away from the top of the piston, and lubricating the cylinder walls.

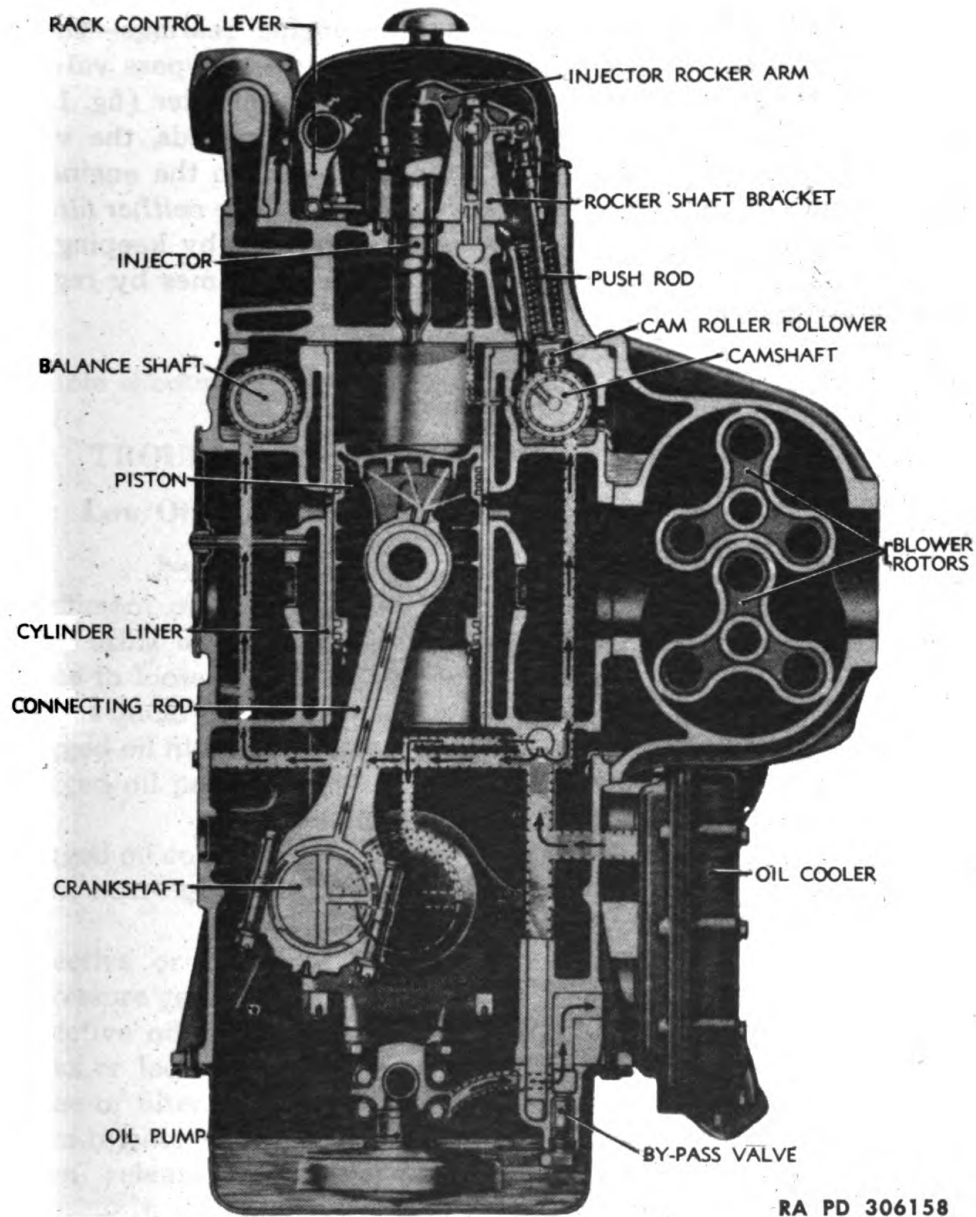
c. The oil delivered to the camshaft and balance shaft lubricates the bearings on these shafts and is forced through passages in the cylinder head up through the drilled rocker shaft bracket bolts to the rocker arm shafts. Feed holes in the rocker arm shaft supply oil to each rocker arm bushing. From each rocker arm clevis, an oilhole is drilled to the rocker shaft hole. Excess oil from rocker arms lubricates the exhaust valves and injector followers as well as upper push rod seats. Cam roller followers are lubricated by oil draining from cam pockets in cylinder head. The oil drains into cavities around camshaft and overflows through two passages in upper part of blower housing into the end housings of blower, lubricates the blower gears and

**ORDNANCE MAINTENANCE—MEDIUM TRACTOR M1  
(ALLIS-CHALMERS HD-7W) ENGINE ACCESSORIES**



**Figure 133 – Cutaway View of Water Pump and Oil Cooler**

**DESCRIPTION OF SYSTEM**



RA PD 306158

**Figure 134 – Engine Lubrication**

bearings (fig. 61) and returns to oil pan. An oil slinger in front blower housing throws oil onto the governor weight assembly.

d. The gear train at rear of engine is lubricated by oil flowing from top deck of cylinder head, idler gear bearing, camshaft, and balance shaft bearings. The blower drive bearing receives oil from an external line from the oil gallery in cylinder block.

**ORDNANCE MAINTENANCE—MEDIUM TRACTOR M1  
(ALLIS-CHALMERS HD-7W) ENGINE ACCESSORIES**

e. To provide ample lubrication to the engine bearings—should either the oil filter or oil cooler become clogged—a bypass valve is provided in the line leading from the pump to the oil filter (fig. 135). When the pressure at the filter inlet reaches 40 pounds, the valve opens and oil is bypassed directly from the pump to the engine oil gallery. Under these conditions, however, *the oil will be neither filtered nor cooled*, and such a condition should be avoided by keeping the filter and cooler elements free from deposits at all times by regular servicing of these units.

**CHAPTER 7**  
**LUBRICATION SYSTEM**

**Section II**

**TROUBLE SHOOTING**

	<b>Paragraph</b>
Trouble shooting for system.....	154

**154. TROUBLE SHOOTING FOR SYSTEM.**

**a. Low Oil Pressure.**

<b>Possible Cause</b>	<b>Possible Remedy</b>
Insufficient oil in crankcase.	Maintain proper oil level.
Lubricating oil diluted with fuel due to loose or broken connections under rocker arm cover.	Tighten or replace defective fittings.
Clogged oil filter.	Remove and clean filter element.
Clogged oil passages.	Remove and disassemble engine and clean passages.
Clogged oil cooler.	Remove, clean or replace.
Worn bearings.	Overhaul engine and replace bearings.
Defective or clogged oil line to pressure gage.	Replace oil line.
Defective oil pressure gage.	Replace.
Leaks or loose connections at oil line or filter.	Tighten or replace.
Worn bypass valve assembly.	Replace worn parts.
Worn release valve, or weak spring in oil pump.	Replace worn parts.
Defective oil pump or connections.	Repair or replace.

**b. Water in Oil or Oil in Water.**

Oil cooler element or gaskets defective.	Repair or replace.
Cracked or broken cylinder head.	Repair or replace.
Cracked or broken cylinder block.	Repair or replace.
Defective cylinder head gasket.	Replace.

**ORDNANCE MAINTENANCE — MEDIUM TRACTOR M1  
(ALLIS-CHALMERS HD-7W) ENGINE ACCESSORIES**

**CHAPTER 7**

**LUBRICATION SYSTEM**

**Section III**

**OIL PUMP**

	Paragraph
Description .....	155
Trouble shooting .....	156
Removal .....	157
Disassembly .....	158
Inspection of parts.....	159
Assembly .....	160
Installation .....	161
Fits and clearances.....	162

**155. DESCRIPTION.**

a. The oil pump is of the conventional gear type and is suspended from the second main bearing cap, and driven by a chain from sprocket on front end of crankshaft. The drive sprocket shaft assembly is suspended from the front main bearing cap. A self-aligning drive sleeve connects the sprocket shaft with the oil pump drive gear shaft. A screen is attached to the oil pump inlet to strain the oil before it reaches the pump. An oil pump relief valve, of the plunger type, is contained within the pump body so that when the pressure in the oil line exceeds approximately 100 pounds per square inch, the relief valve opens to bypass oil to the intake side of the pump.

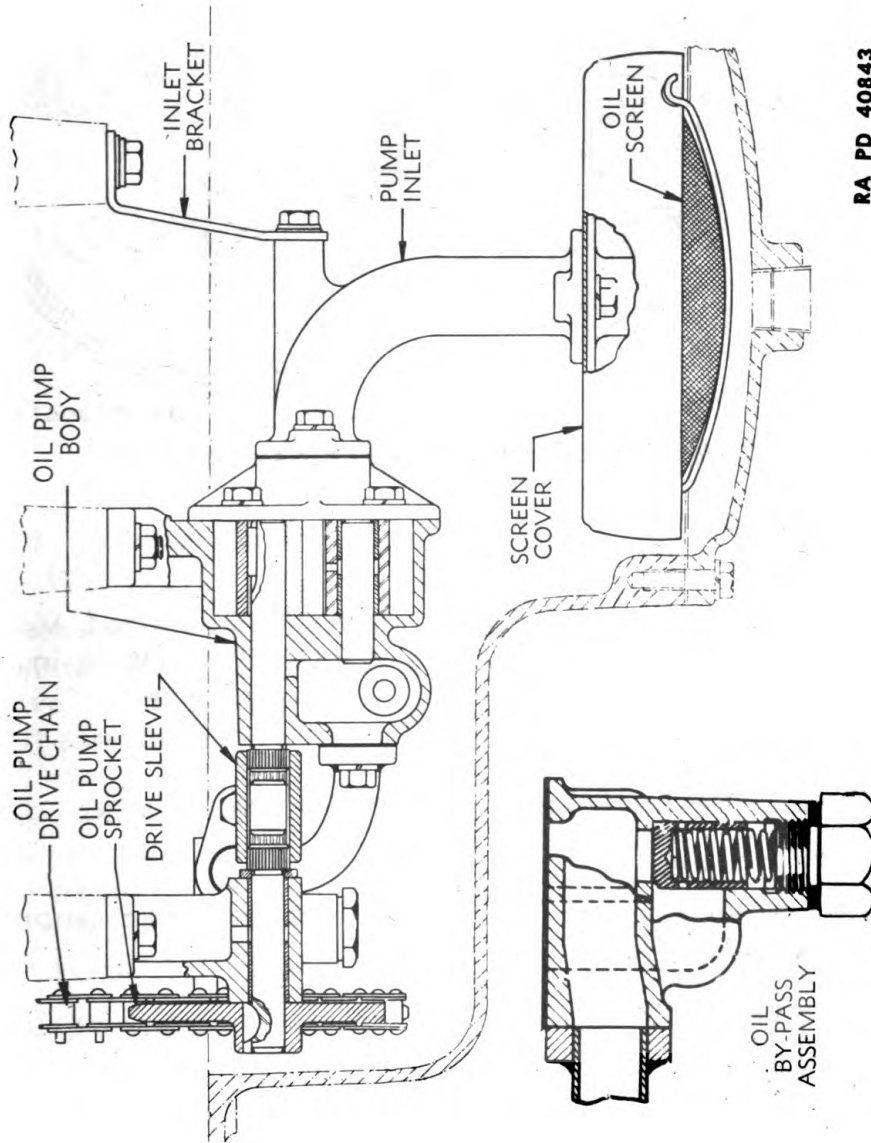
**156. TROUBLE SHOOTING.**

**a. Low Oil Pressure.**

Possible Cause	Possible Remedy
Loose or broken inlet and outlet lines.	Repair or replace.
Defective gaskets.	Replace.
Relief valve, worn or sticking.	Free or replace.
Bypass valve assembly worn.	Replace worn parts.
Worn pump gears or housing.	Replace worn parts.
Clogged screen.	Clean off screen.
Pump drive chain broken.	Replace.
Worn pump bushings.	Replace bushings.



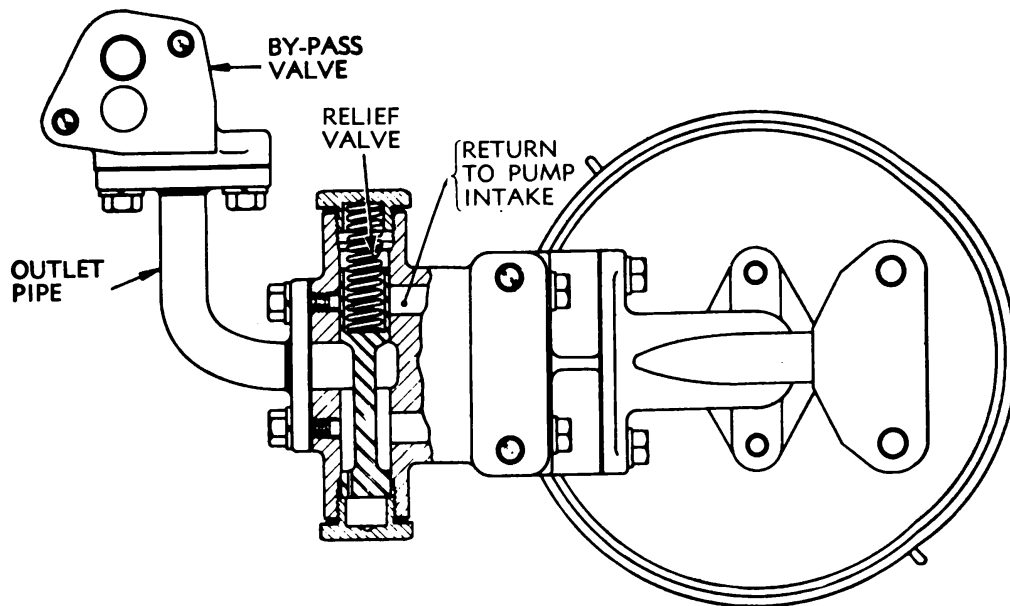
OIL PUMP



RA PD 40843

Figure 135 — Cross Section of Oil Pump — Side View

**ORDNANCE MAINTENANCE — MEDIUM TRACTOR M1  
(ALLIS-CHALMERS HD-7W) ENGINE ACCESSORIES**



RA PD 306159

**Figure 136 — Cross Section of Oil Pump — Top View**

**157. REMOVAL.**

**a. Equipment.**

WRENCH,  $\frac{9}{16}$ -in.  
WRENCH,  $\frac{7}{8}$ -in.

WRENCH, open-end,  $\frac{1}{2}$ -in.  
WRENCH, socket,  $\frac{1}{2}$ -in.,  
with extension

**b. Procedure.**

**(1) REMOVE ENGINE SUPPORT BOTTOM COVER.**

WRENCH,  $\frac{7}{8}$ -in.

Remove the four cap screws holding bottom cover to engine support (fig. 106). Remove cover.

**(2) REMOVE OIL PAN.**

WRENCH, socket,  $\frac{1}{2}$ -in.

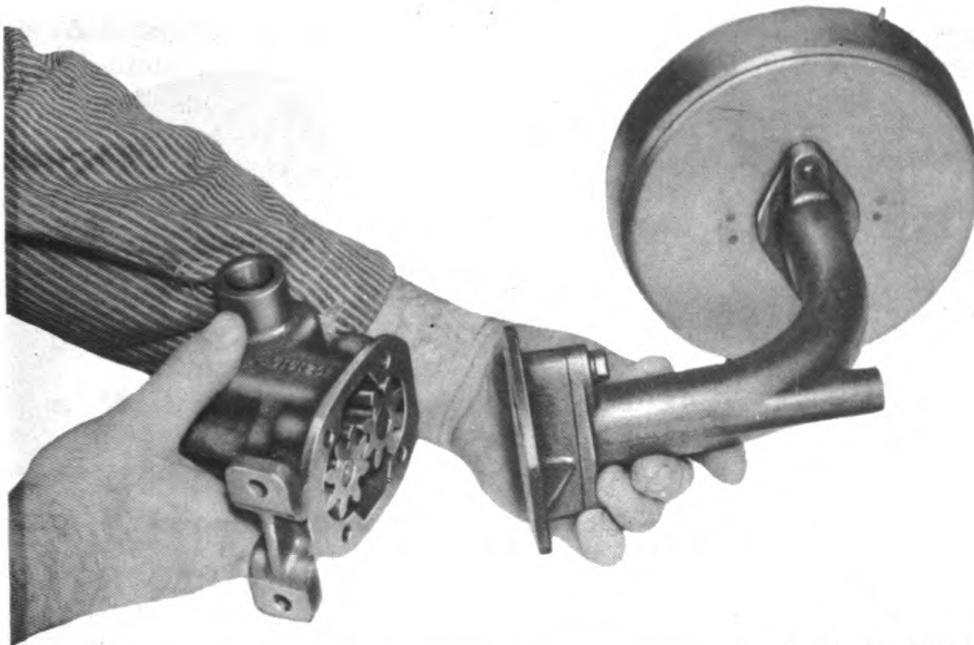
Drain oil from pan. Remove the 22 cap screws which hold oil pan to cylinder block. Remove oil pan.

**(3) REMOVE OIL PUMP OUTLET PIPE AND BYPASS VALVE.**

WRENCH, open-end,  $\frac{1}{2}$ -in.

Remove four cap screws holding oil pump outlet pipe and oil bypass valve assembly to cylinder block. Remove outlet pipe and bypass valve assembly.

**OIL PUMP**



RA PD 17741

**Figure 137 – Removing Oil Pump Cover**

**(4) REMOVE OIL PUMP BODY ASSEMBLY.**

**WRENCH,  $\frac{9}{16}$ -in.**

Remove two nuts and four cap screws holding oil pump assembly to main bearing caps and remove oil pump assembly. Remove drive sleeve and then work oil pump sprocket out of drive chain if sprocket shaft assembly is to be removed.

**158. DISASSEMBLY.**

**a. Equipment.**

**PLIERS**

**PRESS, arbor**

**WRENCH,  $\frac{1}{2}$ -in.**

**WRENCH, 1-in.**

**WRENCH,  $1\frac{1}{4}$ -in.**

**b. Procedure.**

**(1) REMOVE RELIEF VALVE.**

**WRENCH,  $1\frac{1}{4}$ -in.**

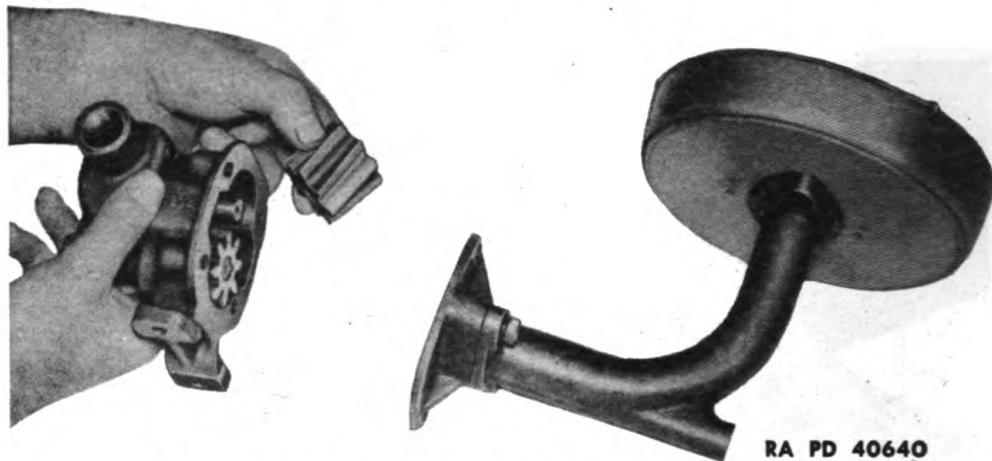
Remove the relief valve plug and copper gasket from each side of pump body. Jar relief valve and spring from body (fig. 139).

**(2) REMOVE PUMP COVER.**

**WRENCH,  $\frac{1}{2}$ -in.**

Remove four cap screws holding cover to pump body and remove cover and oil pump inlet assembly.

**ORDNANCE MAINTENANCE—MEDIUM TRACTOR M1  
(ALLIS-CHALMERS HD-7W) ENGINE ACCESSORIES**



**Figure 138 – Oil Pump Driven Gear Removed**

**(3) REMOVE DRIVEN GEAR.**

Remove pump driven gear from pump body.

**(4) REMOVE DRIVE GEAR AND SHAFT.**

**PRESS, arbor**

Support pump body assembly on bed of arbor press, cover side up, then set slightly smaller arbor on drive gear shaft so as not to cover keyway, and press shaft from gear and body. Remove gear and key from housing.

**(5) DISASSEMBLE SPROCKET SHAFT ASSEMBLY.**

**PLIERS**

**PRESS, arbor**

Support assembly on bed of arbor press with sprocket up, edges of sprocket resting on bed of press. Press shaft and key out of sprocket. Remove key from shaft and slide shaft from sprocket support (pliers).

**(6) DISASSEMBLE OIL PUMP INLET.**

Remove screen retainer and drop oil screen out of screen cover.

**(7) REMOVE BYPASS VALVE.**

**WRENCH, 1-in.**

Remove plug from bypass valve assembly and remove spring and bypass valve (fig. 140).

**159. INSPECTION OF PARTS.**

a. Wash and inspect all parts for wear. Principal wearing parts are the gears and body bore. If oil has been kept clean, wear on these parts

## OIL PUMP

is considerably lower than if dirt and sludge have been allowed to accumulate in lubricating system. Refer to paragraph 162 for clearances. If gear teeth are worn appreciably or scored, replace. If pump body is scored internally, replace body and cover. Gears should form a free running fit inside body with no perceptible looseness. Badly worn pump parts will result in low engine oil pressure. Inspect shaft bearings and splines for wear, replacing worn parts. Inspect sprocket for wear and replace if badly worn.

- b. Inspect bypass valve assembly and replace scored or worn parts.
- c. Wash and inspect oil screen for holes. Replace if necessary.

### 160. ASSEMBLY.

#### a. Equipment.

OILCAN, with engine oil	WRENCH, 1-in.
PRESS, arbor	WRENCH, 1¼-in.
WRENCH, ½-in.	

#### b. Procedure (figs. 137 and 138).

##### (1) INSTALL SHAFT AND GEARS (par. 6 a).

PRESS, arbor

Lubricate pump shaft with oil and slide shaft into pump body. Install feather key in shaft and place gear on shaft with keyway lined up with key. Support splined end of shaft on bed of arbor press and press gear onto shaft. Leave end of gear flush with end of shaft. Install driven gear on stub shaft in pump body.

##### (2) INSTALL PUMP COVER AND OIL PUMP INLET.

WRENCH, ½-in.

Be sure cover and mating surface of pump body are clean and perfectly flat. Place cover on body with mark "RH-TOP" to attaching bracket side. Secure with four  $\frac{5}{16}$ -x  $\frac{3}{4}$ -inch cap screws. Install oil screen in screen cover and secure with retainer snapped into slots in cover.

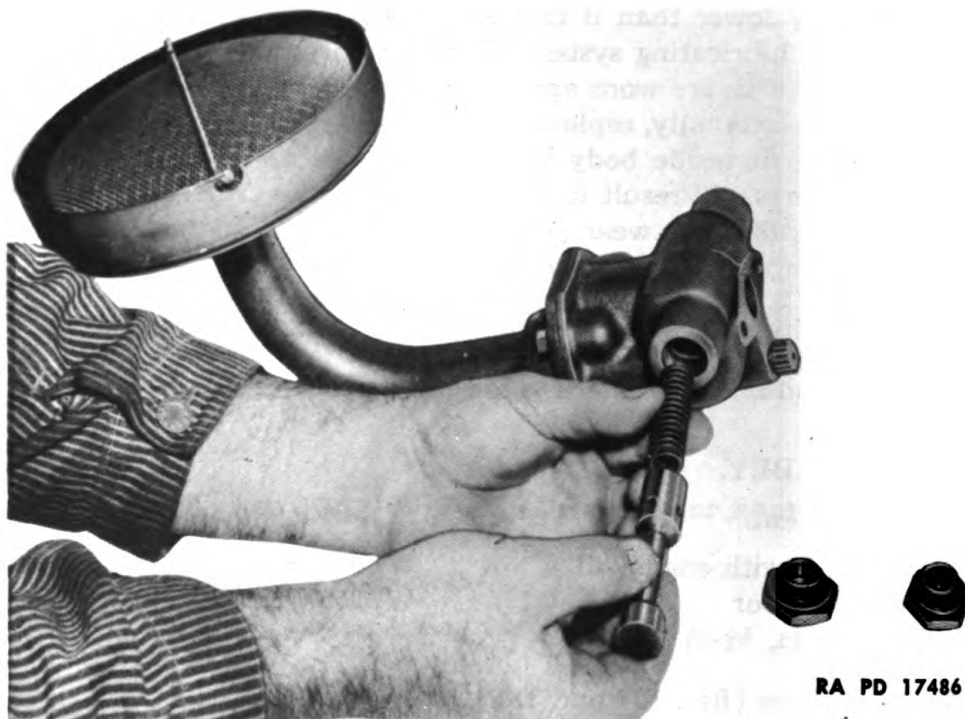
##### (3) INSTALL RELIEF VALVE.

WRENCH, 1¼-in.

Insert spring into the recess in valve, lubricate, and install into the valve bore of the pump body. When pump body is viewed from gear end with attaching bracket up, spring is on the right-hand side. Install plugs with copper washers in each end of bore. Drive gear shaft must revolve easily and without bind.

**TM 9-1783B**  
**160-161**

**ORDNANCE MAINTENANCE — MEDIUM TRACTOR M1  
(ALLIS-CHALMERS HD-7W) ENGINE ACCESSORIES**



**Figure 139 — Installing Oil Pump Relief Valve**

**(4) ASSEMBLE SPROCKET SHAFT ASSEMBLY.**

**PRESS, arbor**

Lubricate and slide sprocket shaft through sprocket shaft support. Install key in slot in shaft; then set assembly on bed of arbor press and press sprocket onto shaft and key. Do not press sprocket on so far that sprocket and shaft cannot rotate freely.

**(5) ASSEMBLE BYPASS VALVE.**

**WRENCH, 1-in.**

Insert plunger in opening; then insert the valve spring. The spring should enter plunger. Use a new copper gasket and install bypass valve plug. Tighten plug securely.

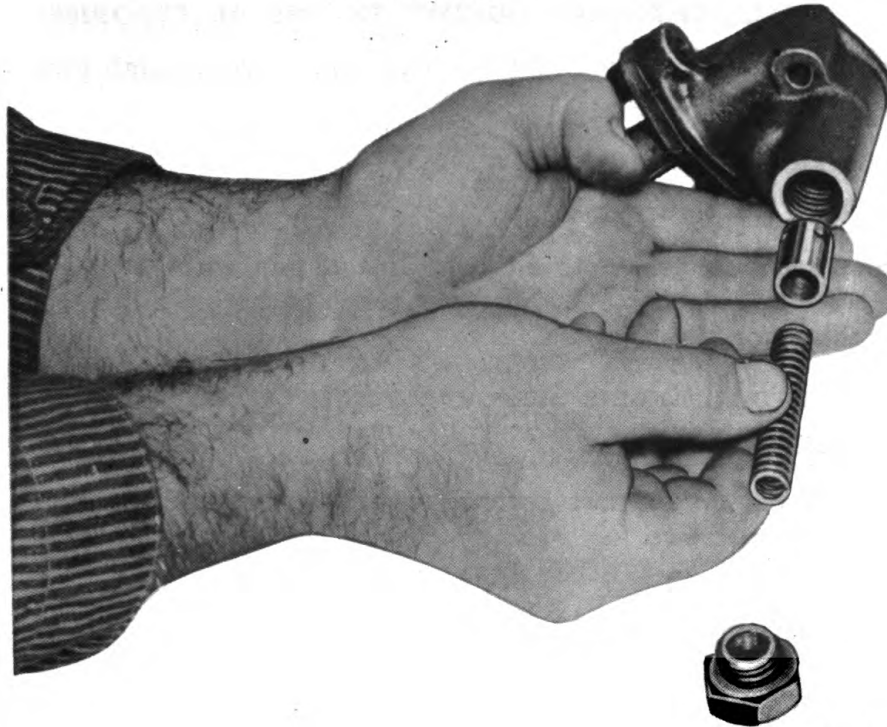
**161. INSTALLATION.**

**a. Equipment.**

**WRENCH,  $\frac{9}{16}$ -in.**  
**WRENCH,  $\frac{7}{8}$ -in.**

**WRENCH, open-end,  $\frac{1}{2}$ -in.**  
**WRENCH, socket,  $\frac{1}{2}$ -in.**

**OIL PUMP**



RA PD 17684

**Figure 140 — Installing Oil Pump Bypass Valve**

**b. Procedure.**

**(1) INSTALL SPROCKET SHAFT ASSEMBLY.**

Work pump sprocket into drive chain and turn sprocket support into position.

**(2) INSTALL OIL PUMP ASSEMBLY IN ENGINE.**

**WRENCH,  $\frac{9}{16}$ -in.**

Place drive sleeve on pump drive shaft. Place assembly in position, engaging drive sleeve on splined end of sprocket shaft. Secure assembly on No. 2 main bearing cap with two  $\frac{3}{8}$ -inch nuts. Then install two  $\frac{3}{8}$ -x  $\frac{3}{4}$ -inch cap screws through pump body bracket and into No. 3 main bearing cap. Too much slack in oil pump drive chain may be taken up by installing an *equal* amount of shims—made from shim stock—between the three bearing caps and pump assembly supporting brackets. A little slack, however, should be allowed in chain, but if slack is excessive, install new chain.

**(3) INSTALL OUTLET PIPE AND BYPASS VALVE.**

**WRENCH, open-end,  $\frac{1}{2}$ -in.**

Shellack new gaskets to pipe flange and bypass valve body. Install with one  $\frac{5}{16}$ -x 1-inch cap screw and one  $\frac{5}{16}$ -x  $1\frac{3}{4}$ -inch cap screw in

**TM 9-1783B**  
**161-162**

**ORDNANCE MAINTENANCE—MEDIUM TRACTOR M1**  
**(ALLIS-CHALMERS HD-7W) ENGINE ACCESSORIES**

bypass valve body; two  $\frac{5}{16}$ -x  $\frac{3}{4}$ -inch cap screws through pipe flange into relief valve body.

**(4) INSTALL OIL PAN.**

**WRENCH**, socket,  $\frac{1}{2}$ -in.

Shellack new gasket to oil pan. Install pan with 22  $\frac{5}{16}$ -x 1-inch cap screws. Fill engine with proper grade of engine oil, start engine, and check for leaks.

**(5) INSTALL ENGINE SUPPORT BOTTOM COVER.**

**WRENCH**,  $\frac{7}{8}$ -in.

Install engine support bottom cover and secure with four  $\frac{5}{8}$ -x  $1\frac{1}{2}$ -inch cap screws.

**162. FITS AND CLEARANCES.**

a. Specifications and clearances for oil pump are as follows:

**(1) SPROCKETS.**

Drive sprocket—number of teeth.....19  
Oil pump sprocket—number of teeth.....24

**(2) GEARS.**

Backlash .....0.003-0.006-in.  
End play .....0.001-0.0025-in.  
Radial clearance.....0.002-0.0045-in.

**(3) OIL PUMP RELIEF VALVE.**

Clearance between valve and body.....0.0025-0.0045-in.  
Spring—free length ..... $2\frac{5}{32}$ -in.  
Spring load—valve open.....21 to 23 lb at  $1\frac{39}{64}$ -in.



## CHAPTER 7 LUBRICATION SYSTEM

### Section IV

### LUBRICATING OIL FILTER

	Paragraph
Description .....	163
Trouble shooting .....	164
Removal .....	165
Maintenance .....	166
Installation .....	167

#### 163. DESCRIPTION.

a. The lubricating oil filter, located on the front of the engine, consists of a double cylindrical metal filter element contained inside a steel housing. All the oil leaving the pump passes through this filter before being discharged into the oil cooler. These metal edge type elements remove all the large particles from the oil and collect a considerable portion of the sludge from the oil. A plug in the bottom of the filter base permits draining of sludge and other foreign matter. The bracket supporting filter is cast with the adapter between oil cooler and engine block.

#### 164. TROUBLE SHOOTING.

##### a. Low Oil Pressure.

Possible Cause	Possible Remedy
Clogged filter.	Remove and clean filter; replace if unable to clean.
Filter covered with gummy substance.	Wash with SOLVENT, dry-cleaning, or alcohol.

##### b. Oil Leaks.

Defective gasket.	Replace gasket.
Retainer stud loose.	Tighten stud.
Cracked filter base.	Replace casting.

#### 165. REMOVAL.

##### a. Equipment.

WRENCH, socket, 1 1/8-in.	WRENCH, square plug, 1/4-in.
---------------------------	---------------------------------

ORDNANCE MAINTENANCE—MEDIUM TRACTOR M1  
(ALLIS-CHALMERS HD-7W) ENGINE ACCESSORIES

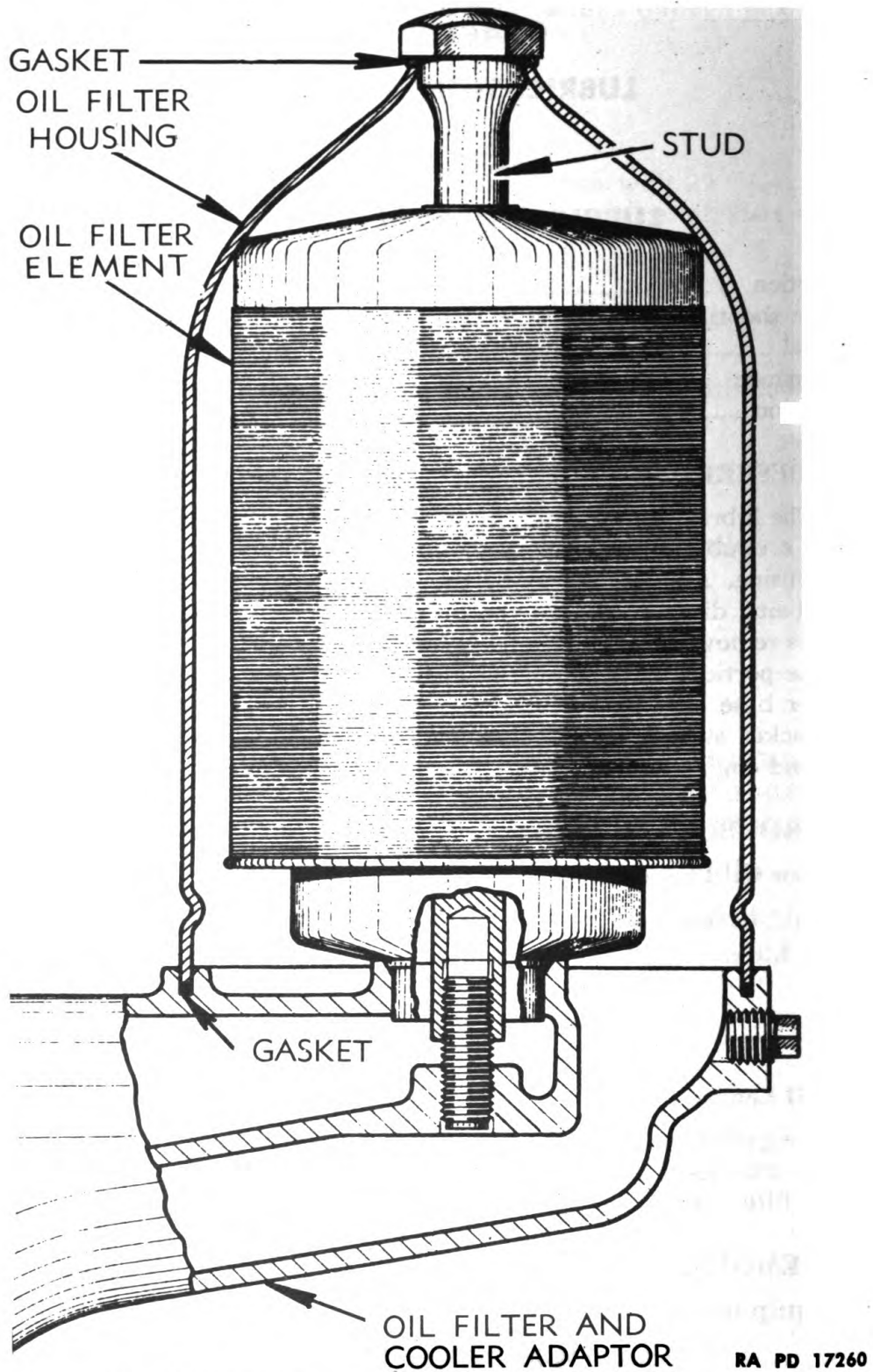
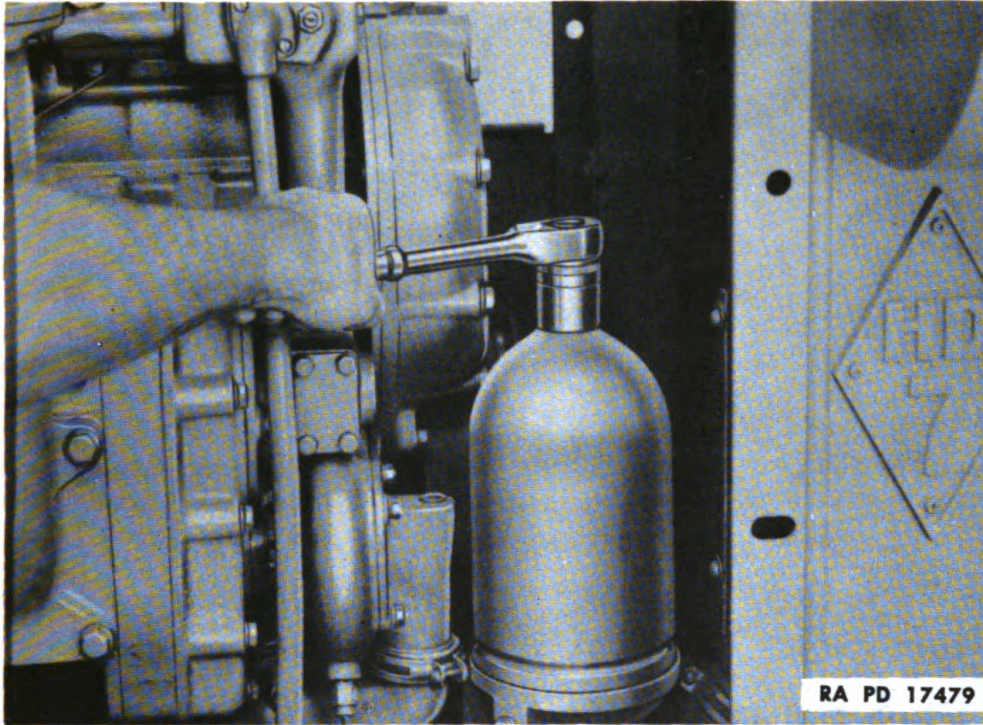


Figure 141 – Cutaway View of Lubricating Oil Filter

**LUBRICATING OIL FILTER**



**Figure 142 – Removing Lubricating Oil Filter**

**b. Procedure.**

**(1) REMOVE FILTER DRAIN PLUG.**

**WRENCH**, square plug,  $\frac{1}{4}$ -in.

Remove plug at base of filter and allow oil to drain from filter.

**(2) REMOVE LUBRICATING OIL FILTER STUD.**

**WRENCH**, socket,  $1\frac{1}{8}$ -in.

Remove retainer stud and gasket and lift off filter housing and element.

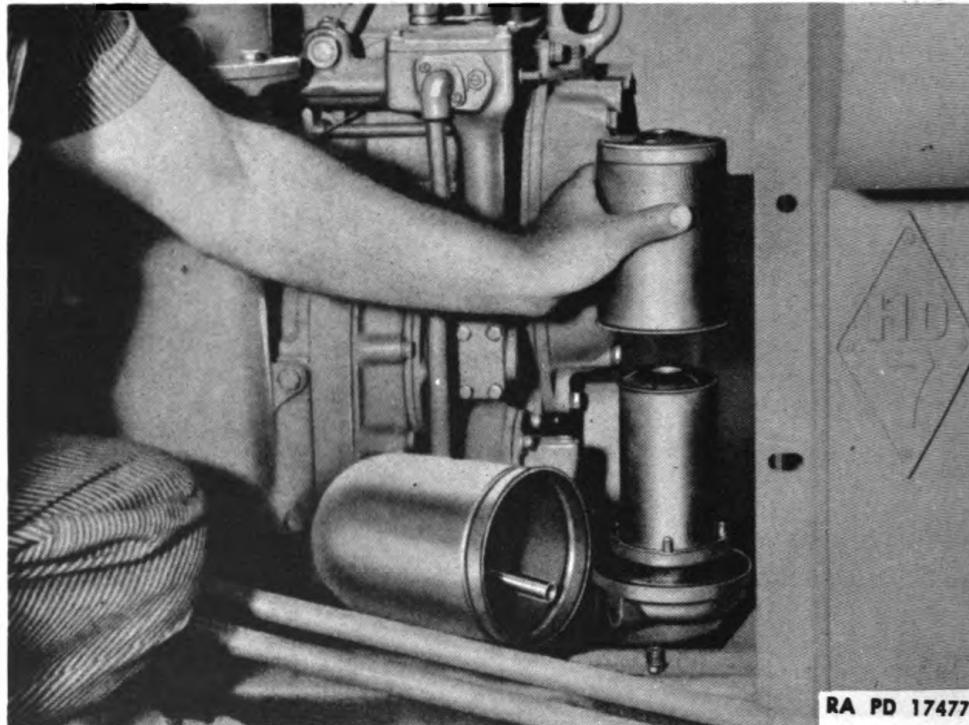
**166. MAINTENANCE.**

**a.** The metal element in the filter should be removed and cleaned each time engine crankcase is drained and at any time between oil changes when oil pressure may be low.

**b.** Wash the element in clean Diesel fuel with a soft brush. Do not scrape with a sharp instrument or use a wire brush, as damage may result.

**c.** Wash all parts thoroughly and dry them. Clean inside of filter base.

**ORDNANCE MAINTENANCE — MEDIUM TRACTOR M1  
(ALLIS-CHALMERS HD-7W) ENGINE ACCESSORIES**



**Figure 143 — Removing Lubricating Oil Filter Element**

**167. INSTALLATION.**

**a. Equipment.**

**WRENCH, 1 1/8-in.**

**WRENCH, square plug,  
1/4-in.**

**b. Procedure.**

**(1) EXAMINE FILTER HOUSING GASKET.**

Make sure that the gasket in base of filter is in good condition. If not in good condition, replace it.

**(2) SET ELEMENT IN PLACE.**

Assemble screens, one inside the other, and set them in filter base.

**(3) INSTALL HOUSING AND DRAIN PLUG.**

**WRENCH, 1 1/8-in.**

**WRENCH, square plug,  
1/4-in.**

Place housing over element, making sure that bottom of housing enters groove in base. Install stud and gasket and tighten, using a 1 1/8-inch wrench. Install filter drain plug (1/4-in. wrench).

**(4) START ENGINE AND INSPECT FOR LEAKS.**

## CHAPTER 7 LUBRICATION SYSTEM

### Section V

### LUBRICATING OIL COOLER

	Paragraph
Description .....	168
Trouble shooting .....	169
Removal .....	170
Maintenance .....	171
Installation .....	172

#### 168. DESCRIPTION.

a. The lubricating oil cooler assembly consists of a housing inside of which is a metal element somewhat similar to the core of a steam radiator. Water from the tractor radiator circulates around this element in the cooler and lubricating oil circulates through the element. The oil cooler plates are lined with small fins which dissipate the heat from oil inside the element into the cooling water which surrounds the element inside the cooler housing.

#### 169. TROUBLE SHOOTING.

##### a. Oil in Water or Water in Oil.

Possible Cause	Possible Remedy
Defective element.	Replace.
Gasket leaking.	Replace (shellack both sides).

##### b. Oil and Engine Overheating.

Clogged element.	Remove and clean out element with SOLVENT, dry-cleaning; replace if unable to clean.
Low on water.	Keep radiator filled.

##### c. Low Oil Pressure.

Clogged element.	Remove and clean out element; replace if unable to clean.
------------------	---

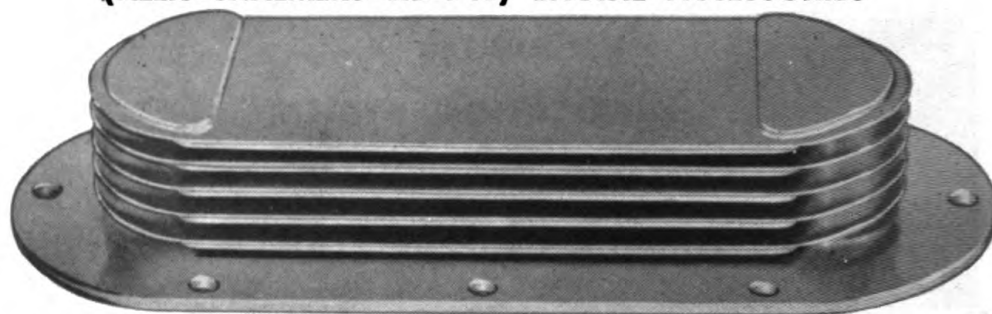
#### 170. REMOVAL.

##### a. Equipment.

SCREWDRIVER, 6-in.	WRENCH, socket, 1/2-in.,
WRENCH, 3/4-in. (2)	with extension
WRENCH, 7/8-in.	WRENCH, socket, 9/16-in.



**ORDNANCE MAINTENANCE—MEDIUM TRACTOR M1  
(ALLIS-CHALMERS HD-7W) ENGINE ACCESSORIES**



RA PD 17261

**Figure 144 – Lubricating Oil Cooler Element**

**b. Procedure.**

**(1) REMOVE RIGHT FRONT FENDER.**

**WRENCH, 3/4-in. (2)**

Remove cap screws and bolts holding fender. Remove fender.

**(2) DRAIN COOLING SYSTEM.**

**(3) DISCONNECT WATER BYPASS TUBE.**

**WRENCH, 1/2-in.**

Remove cap screw holding water bypass tube clip to cooler housing.

**(4) REMOVE ENGINE SUPPORT BOTTOM COVER.**

**WRENCH, 7/8-in.**

Remove four cap screws holding engine support bottom cover and remove cover (fig. 106).

**(5) DISCONNECT HOSES.**

**SCREWDRIVER, 6-in.**

**WRENCH, 1/2-in.**

Loosen clamp on hose connecting water pump and oil cooler (screwdriver) and slip hose connection down onto cooler pipe. Remove two cap screws from lower water connection (1/2-in. wrench).

**(6) REMOVE COOLER HOUSING.**

**WRENCH, socket, 1/2-in., with extension**

Remove the eight cap screws holding cooler housing to lubricating oil filter and cooler adapter and remove housing and element.

**(7) REMOVE LUBRICATING OIL FILTER AND COOLER ADAPTER.**

**WRENCH, socket, 9/16-in.**

Remove six cap screws holding adapter to cylinder block and remove adapter.

LUBRICATING OIL COOLER

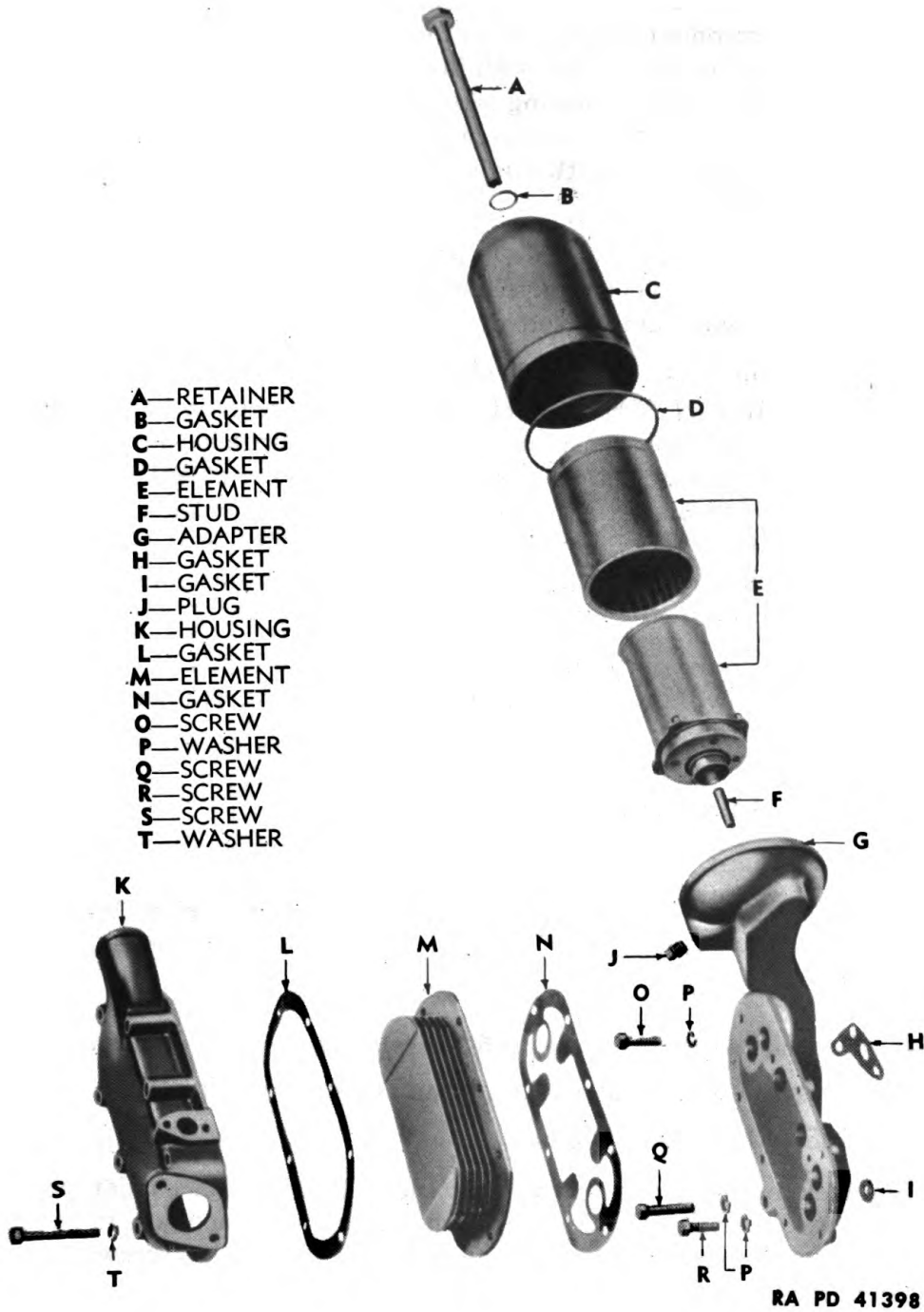


Figure 145—Exploded View of Lubricating Oil Filter and Cooler Assembly

**ORDNANCE MAINTENANCE—MEDIUM TRACTOR M1  
(ALLIS-CHALMERS HD-7W) ENGINE ACCESSORIES**

**171. MAINTENANCE.**

a. If proper lubricating oil maintenance procedure is followed, the cooler will function efficiently for an indefinite period. However, when oil is allowed to become laden with impurities, these impurities will be deposited in the cooler, causing clogging and inefficiency. To effectively clean the cooler it is necessary to remove cooler element and circulate a special solvent through cooler element for some time by use of a force pump.

(1) If live steam is available, a jet of steam, used after applying a soapy substance, is a very effective cleaner. After cleaning, remove all traces of water with compressed air.

(2) If steam is not available, place the cooler unit in a vessel and fill with **CARBON TETRACHLORIDE**—or with other suitable cleaner—to a level of at least one inch above openings in the unit plate. A force pump is suggested as a means of forcing the cleaning solution back and forth through the plates. Continue this operation until unit is cleaned. **CAUTION:** Cleaning with **CARBON TETRACHLORIDE** is to be done in the open air or with adequate ventilation, because of the toxic qualities of the chemical.

b. Inspect cooler for leaks or corrosion. Some kinds of water contain agents that will attack and corrode this element. Replace element if corrosion is evident.

**172. INSTALLATION.**

**a. Equipment.**

**SCREWDRIVER**, 6-in.  
**WRENCH**,  $\frac{3}{4}$ -in. (2)  
**WRENCH**,  $\frac{7}{8}$ -in.

**WRENCH**, socket,  $\frac{1}{2}$ -in.  
**WRENCH**, socket,  $\frac{9}{16}$ -in.

**b. Procedure (refer to fig. 145 for relative position of parts).**

(1) **INSTALL ADAPTER TO CYLINDER BLOCK (par. 6 a).**

**WRENCH**, socket,  $\frac{9}{16}$ -in.

Shellack new gaskets to cylinder block bosses. Place adapter up against block and attach with a  $\frac{3}{8}$ -inch cap screw in each hole in center of adapter at top and bottom, and four  $\frac{3}{8}$ - x  $1\frac{3}{8}$ -inch cap screws in the other four recessed holes.

(2) **SHELLACK COOLER GASKETS.**

Clean element housing and adapter surfaces and shellack gaskets to both sides of cooler element. Then coat outer sides of gaskets with shellac.



## LUBRICATING OIL COOLER

### (3) INSTALL ELEMENT AND HOUSING.

WRENCH, socket, 1/2-in.

Place element in housing and attach housing and element to adapter with eight 5/16-inch cap screws.

### (4) INSTALL HOSES.

SCREWDRIVER, 6-in.

WRENCH, socket, 1/2-in.

Connect hose at inlet of cooler and tighten clamp. Install two 5/16-x 1-inch cap screws in lower water connection and tighten, using a new gasket if necessary.

### (5) CONNECT WATER BYPASS TUBE.

WRENCH, 1/2-in.

Shellack both sides of a new gasket and install gasket and water bypass tube to cooler with two 5/16-x 1 1/2-inch cap screws.

### (6) INSTALL CAP SCREW HOLDING GOVERNOR BREATHER PIPE CLIP.

WRENCH, 1/2-in.

Install cap screw through clip and into cooler housing.

### (7) INSTALL FENDER.

WRENCH, 3/4-in. (2)

Install fender with cap screw and bolts.

### (8) START ENGINE AND INSPECT FOR LEAKS.

Fill system with water, start engine, and inspect all connections for leaks.

### (9) INSTALL ENGINE SUPPORT BOTTOM COVER.

WRENCH, 7/8-in.

Install engine support bottom cover and secure with four 5/8-x 1 1/2-inch cap screws.

**ORDNANCE MAINTENANCE — MEDIUM TRACTOR M1  
(ALLIS-CHALMERS HD-7W) ENGINE ACCESSORIES**

**CHAPTER 8**

**EXHAUST MANIFOLD AND MUFFLER**

	Paragraph
Description .....	173
Trouble shooting .....	174
Removal .....	175
Disassembly .....	176
Maintenance and repairs.....	177
Assembly .....	178
Installation .....	179

**173. DESCRIPTION.**

a. Two exhaust passages from each cylinder lead through a single port in the cylinder head to the exhaust manifold. Studs in the cylinder head—located between each exhaust port and at each end—secure the manifold to the cylinder head by means of special flat washers and nuts. As a safeguard against exhaust gas leaks, a two-piece, heat-resisting gasket is used between the cylinder head and manifold.

b. The rear of the muffler is bolted to an elbow which is in turn bolted to the manifold. This muffler consists of a sheet metal tube, welded to two end plates, and containing a series of baffles. The exhaust stack is bolted to the front end plate of the muffler and extends up through the engine hood. The muffler is supported by a brace on each end and a support strap extending around both manifold and muffler.

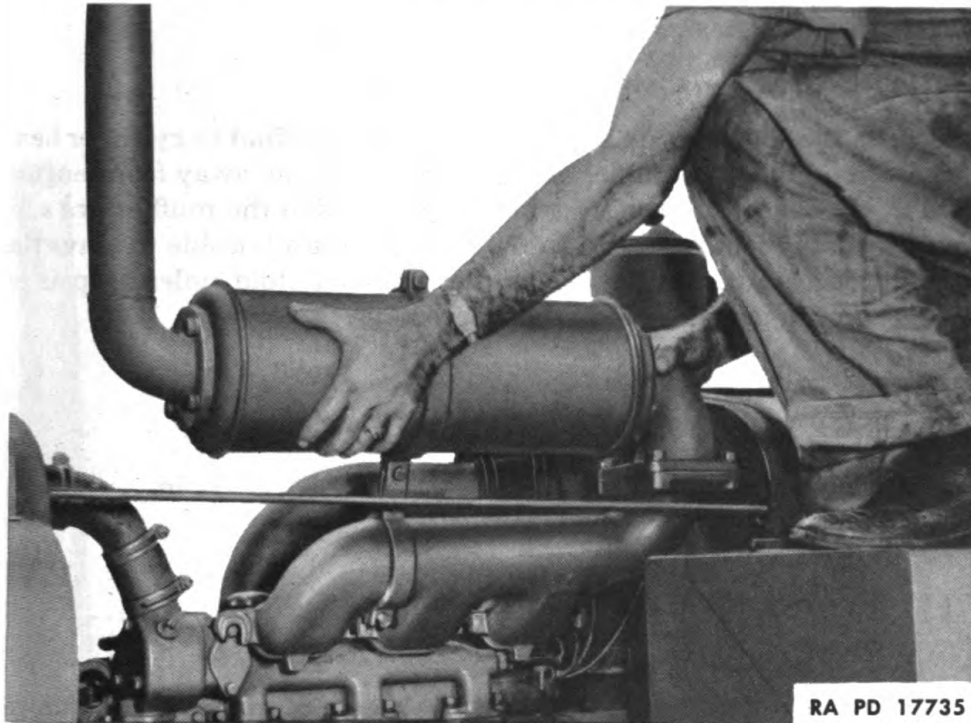
c. Exhaust gases from the engine are held in suspension by the restriction of the baffles in the muffler. This tends to partially silence exhaust noise and prevents the escape of any sparks from unburned fuel or carbon deposits.

**174. TROUBLE SHOOTING.**

**a. Loud Exhaust.**

Possible Cause	Possible Remedy
Gasket blown.	Replace gasket.
Holes in muffler.	Replace muffler.
Break in manifold.	Replace manifold.
Broken braces.	Replace braces.

**EXHAUST MANIFOLD AND MUFFLER**



**Figure 146 – Removing Exhaust Manifold and Muffler as One Unit**

**175. REMOVAL.**

**a. Equipment.**

BAR, pry

WRENCH,  $\frac{7}{16}$ -in. (2)

WRENCH,  $\frac{9}{16}$ -in. (2)

WRENCH,  $\frac{5}{8}$ -in., socket,  
with extension

**b. Procedure.**

**(1) REMOVE PRECLEANER AND HOOD.**

BAR, pry

WRENCH,  $\frac{7}{16}$ -in. (2)

WRENCH,  $\frac{9}{16}$ -in.

Loosen clamp at base of precleaner (two  $\frac{7}{16}$ -in. wrenches) and lift precleaner off. Loosen bolts at corners of hood and pry bolts out of slot. Remove bolts at left rear corner inside battery box ( $\frac{9}{16}$ -in. wrench) and lift hood off over exhaust stack.

**(2) REMOVE MUFFLER BRACE BOLTS.**

WRENCH,  $\frac{9}{16}$ -in. (2)

Remove nuts from bolts holding lower ends of braces to engine end plates and remove or push bolts back out of braces.

## TM 9-1783B

175-177

### ORDNANCE MAINTENANCE—MEDIUM TRACTOR M1 (ALLIS-CHALMERS HD-7W) ENGINE ACCESSORIES

#### (3) REMOVE ASSEMBLY.

WRENCH,  $\frac{5}{8}$ -in., socket, with extension

Loosen the four nuts on stud bolts holding manifold to cylinder head and lift manifold and muffler assembly off studs and away from engine. NOTE: Because the heat, to which cap screws in the muffler are subjected, causes them to "seize" in the threads, it is advisable to leave the muffler braces attached to the muffler and manifold unless repair or replacement of some of the parts is necessary.

#### 176. DISASSEMBLY.

##### a. Equipment.

WRENCH,  $\frac{9}{16}$ -in. (2)

WRENCH,  $\frac{3}{4}$ -in.

##### b. Procedure.

#### (1) REMOVE MUFFLER BRACES.

WRENCH,  $\frac{9}{16}$ -in.

WRENCH,  $\frac{3}{4}$ -in.

Remove two cap screws holding rear brace to muffler elbow flange and flange of manifold ( $\frac{3}{4}$ -in. wrench). Remove the two cap screws holding front brace to muffler ( $\frac{9}{16}$ -in. wrench). This removes muffler braces.

#### (2) REMOVE MUFFLER.

WRENCH,  $\frac{9}{16}$ -in. (2)

WRENCH,  $\frac{3}{4}$ -in.

Remove the two remaining cap screws from elbow flange and flange of manifold ( $\frac{3}{4}$ -in. wrench) and four bolts from muffler support strap (two  $\frac{9}{16}$ -in. wrenches). This separates muffler and manifold.

#### (3) REMOVE MUFFLER ELBOW.

WRENCH,  $\frac{9}{16}$ -in.

Remove four cap screws at rear of muffler to remove elbow from muffler.

#### (4) REMOVE EXHAUST STACK.

WRENCH,  $\frac{9}{16}$ -in.

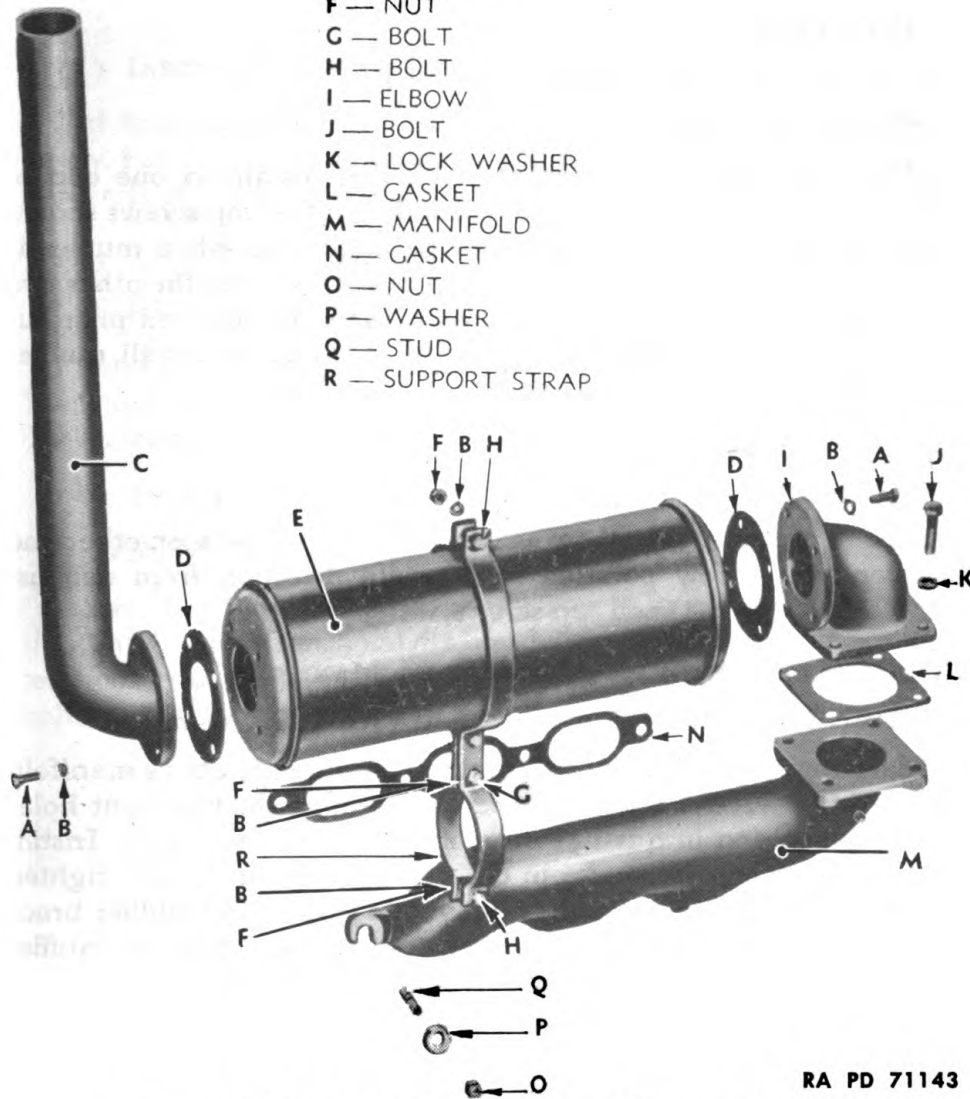
Remove the two remaining cap screws holding stack to front of muffler.

#### 177. MAINTENANCE AND REPAIRS.

a. Clean all parts after disassembling and inspect for cracks or breaks in manifold, muffler, and muffler braces. In some cases cracked

**EXHAUST MANIFOLD AND MUFFLER**

- A — BOLT
- B — LOCK WASHER
- C — EXHAUST STACK
- D — GASKET
- E — MUFFLER
- F — NUT
- G — BOLT
- H — BOLT
- I — ELBOW
- J — BOLT
- K — LOCK WASHER
- L — GASKET
- M — MANIFOLD
- N — GASKET
- O — NUT
- P — WASHER
- Q — STUD
- R — SUPPORT STRAP



RA PD 71143

**Figure 147 — Exploded View of Exhaust Manifold and Muffler Assembly**

manifold can be repaired by welding. Muffler braces may be welded if broken or cracked. If muffler is plugged or caked with carbon on inside or if outside tube is broken or rusted through, replace. Do not attempt repairs on muffler except in cases where cap screws are twisted off in disassembling. The parts of cap screws remaining in muffler end plates can be removed by drilling through the cap screw and inserting an "easy out" in drilled hole to screw the part out.

## TM 9-1783B

178-179

### ORDNANCE MAINTENANCE — MEDIUM TRACTOR M1 (ALLIS-CHALMERS HD-7W) ENGINE ACCESSORIES

#### 178. ASSEMBLY.

##### a. Equipment.

WRENCH,  $\frac{9}{16}$ -in. (2)

WRENCH,  $\frac{3}{4}$ -in.

##### b. Procedure.

###### (1) INSTALL EXHAUST STACK (par. 6 a).

WRENCH,  $\frac{9}{16}$ -in.

Shellack new gasket to exhaust stack and install on one end of muffler with two  $\frac{3}{8}$ - x 1-inch cap screws. These two cap screws should be inserted in the two holes that will be at the top when muffler is installed. Then insert two  $\frac{3}{8}$ - x  $1\frac{1}{4}$ -inch cap screws into the other two holes. Tighten the first two cap screws inserted to hold tail pipe but leave the other two loose so they can be removed to install muffler brace when unit is installed on engine.

###### (2) INSTALL ELBOW.

WRENCH,  $\frac{9}{16}$ -in.

Shellack new gasket to elbow and install muffler elbow on other end of muffler with elbow pointing in opposite direction from exhaust stack. Use four  $\frac{3}{8}$ - x 1-inch cap screws.

###### (3) CONNECT MUFFLER ASSEMBLY TO MANIFOLD.

WRENCH,  $\frac{9}{16}$ -in. (2)

WRENCH,  $\frac{3}{4}$ -in.

Shellack new gasket to elbow. Hold muffler directly above manifold and install two  $\frac{1}{2}$ - x  $1\frac{3}{8}$ -inch cap screws through the two front holes in elbow flange and into flange on manifold ( $\frac{3}{4}$ -in. wrench). Install two  $\frac{1}{2}$ - x  $1\frac{3}{4}$ -inch cap screws in other two holes but do not tighten these two as they will have to be removed to install rear muffler brace when installing assembly on tractor. Install support strap on muffler and manifold with four bolts (two  $\frac{9}{16}$ -in. wrenches). A  $\frac{3}{8}$ - x 2-inch bolt goes in top hole, two  $\frac{3}{8}$ - x  $1\frac{1}{4}$ -inch bolts go in center holes, and a  $\frac{3}{8}$ - x  $1\frac{3}{4}$ -inch bolt goes in the bottom hole.

#### 179. INSTALLATION.

##### a. Equipment.

WRENCH,  $\frac{7}{16}$ -in. (2)

WRENCH, open-end,  $\frac{9}{16}$ -in.

WRENCH, open-end,  $\frac{3}{4}$ -in.

WRENCH, socket,  $\frac{9}{16}$ -in.

WRENCH, socket,  $\frac{5}{8}$ -in.,

with extension

##### b. Procedure.

###### (1) INSTALL MANIFOLD.

WRENCH, socket,  $\frac{5}{8}$ -in., with extension

## EXHAUST MANIFOLD AND MUFFLER

Clean all old gaskets off manifold and head. Remove the nuts and washers from stud bolts in head and place new gaskets on studs. Shellac or grease is unnecessary. Place manifold on studs in cylinder head. Place special washers on studs and start nuts. Then tighten all nuts *evenly*.

### (2) INSTALL MUFFLER BRACES.

Put braces in place and install bolts and cap screws in muffler and elbow, but do not tighten nuts or cap screws. Insert bolts through bottom ends of braces.

### (3) TIGHTEN ALL BOLTS.

WRENCH,  $\frac{9}{16}$ -in. (2)

WRENCH,  $\frac{3}{4}$ -in.

First, tighten cap screws bolting elbow to manifold ( $\frac{3}{4}$ -in. wrench). Then tighten all cap screws and nuts of bolts in muffler braces (two  $\frac{9}{16}$ -in. wrenches).

### (4) INSTALL HOOD AND PRECLEANER.

WRENCH,  $\frac{7}{16}$ -in. (2)

WRENCH, open-end,  $\frac{9}{16}$ -in.

Lower hood over exhaust stack. Tap bolts on hood into clips and tighten ( $\frac{9}{16}$ -in. wrench). Left rear bolt must be installed through battery box cover. Install precleaner on air inlet tube and tighten clamp bolts (two  $\frac{7}{16}$ -in. wrenches).

**ORDNANCE MAINTENANCE — MEDIUM TRACTOR M1  
(ALLIS-CHALMERS HD-7W) ENGINE ACCESSORIES**

**CHAPTER 9**

**GOVERNOR AND CONTROLS**

**Section I**

**GOVERNOR**

	Paragraph
Purpose of engine control.....	180
Description of governor.....	181
Trouble shooting for governor and controls.....	182
Removal of governor.....	183
Disassembly of governor.....	184
Inspection of governor parts.....	185
Assembly of governor.....	186
Installation and adjustment.....	187
Special tools .....	188

**180. PURPOSE OF ENGINE CONTROL.**

a. Horsepower requirements on a tractor vary continually with different loads and ground conditions. To hold the tractor speed reasonably constant, regardless of the variation in load, a variable speed governor is used, which regulates the fuel supplied to the engine in proportion to the load. A hand throttle lever permits the operator to vary the engine speed maintained by the governor.

b. This governor is of the simple “flyball” type in which the centrifugal force of rotating weights is used to control the actuating mechanism.

**181. DESCRIPTION OF GOVERNOR.**

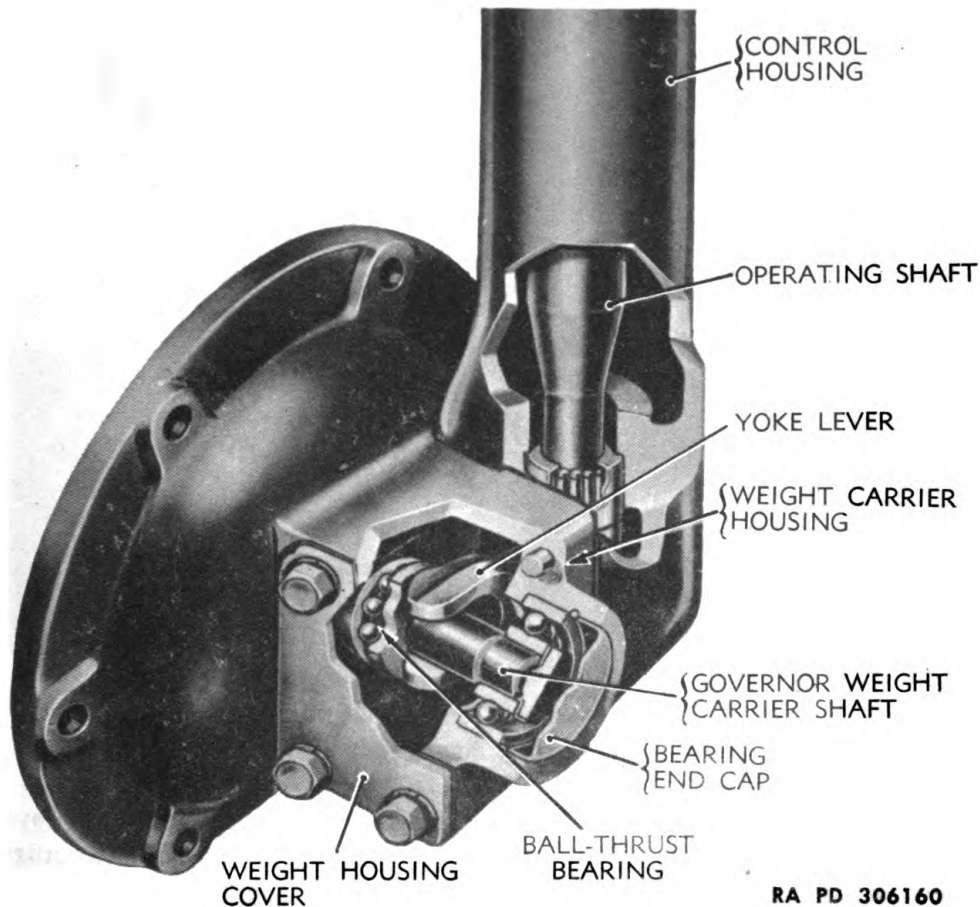
**a. General Description.**

(1) The governor, mounted at the front of the blower, is divided into three main assemblies contained in separate housings. These assemblies are: the governor weights and weight housing, the control mechanism and control housing, and the cover assembly.

(2) A set of weights is carried on a horizontal shaft inside the governor weight housing. The front end of this weight carrier shaft is mounted on an annular ball bearing. The splined rear, or drive end, engages in splines in the end of the upper blower rotor shaft. The governor shaft and weights are thus driven by this rotor shaft.



GOVERNOR

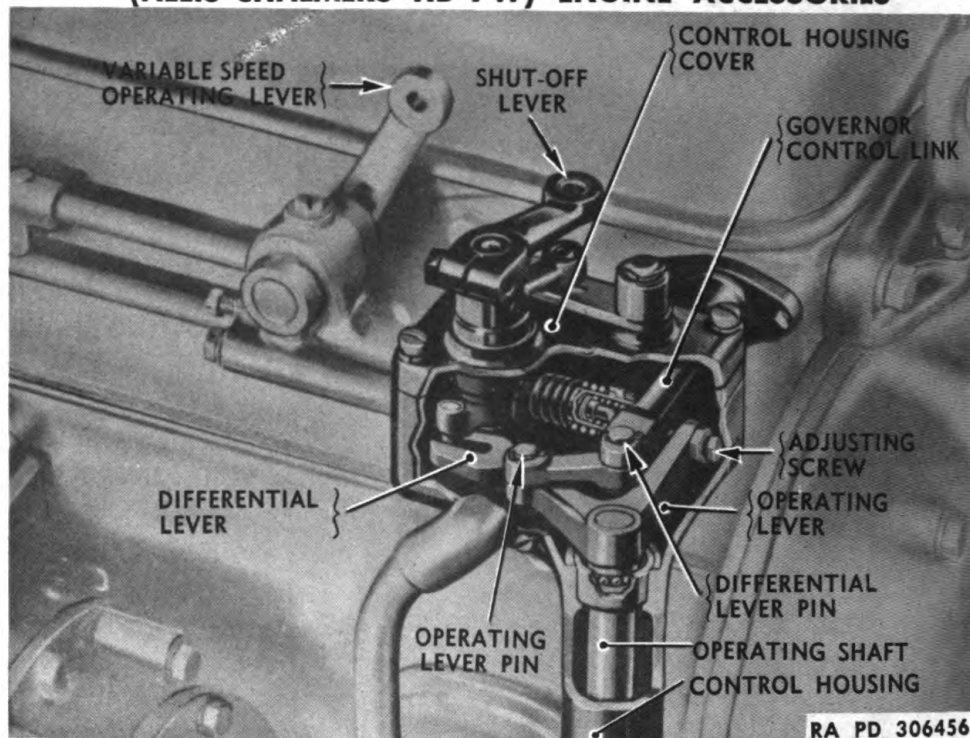


**Figure 148 – Cutaway View of Governor Weight Housing Assembly**

(3) The control mechanism transmits the motion of the governor weights to the injector racks. This mechanism consists of a vertical operating shaft mounted inside a housing. A yoke lever is located at the lower end, and an operating lever is located at the upper end, together with a variable speed spring with suitable adjustments. The operating shaft is mounted on an annular ball bearing at the upper end and a roller bearing at the lower end.

(4) The hinging motion of the governor weights is transmitted to the operating shaft as a rotary motion through a movable riser on the weight carrier shaft and the yoke lever on the lower end of the operating shaft. This motion is, in turn, transmitted to the injector control tube by means of the operating and differential levers on the upper end of the operating shaft.

**ORDNANCE MAINTENANCE — MEDIUM TRACTOR M1  
(ALLIS-CHALMERS HD-7W) ENGINE ACCESSORIES**



**Figure 149 – Cutaway View of Governor Control Housing Assembly**

(5) The cover assembly serves as a carrier for the shut-off lever and the variable speed operating lever, and closes the top of the control mechanism housing.

(6) The specifications of the governor differ according to the duty required of the engine. For this reason certain definite information must be supplied when ordering a replacement governor for a specific engine. Always give engine number found on the bronze plate on cylinder block in back of governor.

**b. Operation.**

(1) The plunger at one end of the variable speed spring in the top of the governor control housing bears against the operating lever on the vertical operating shaft (fig. 166). The opposite end is retained and guided inside a spring retainer which in turn bears against a variable speed spring lever controlled by the variable speed operating lever and linkage to the throttle lever. The governor is designed to control the engine at any constant speed (within the limits of the governor spring) that the operator may desire. Such control is made possible by the idle adjusting screw, for the low engine speeds; and imposing more or less tension on the spring by means of the throttle linkage and variable speed spring lever, for higher speeds. The greater the tension on the spring, the higher the engine speed.

## GOVERNOR

(2) For starting, the throttle lever is moved to the running position. This moves the injector control racks to "FULL FUEL" position. Then, as soon as the engine starts, the governor moves the injector racks OUT to the position required for idling. The engine can then be brought up to any desired operating speed, within the limitations of the spring, by increasing the tension on the spring by means of the speed spring lever. The engine speed control is entirely automatic from this point on, depending upon spring tension. The engine may be stopped by moving the shut-off lever to the "OFF" position.

### 182. TROUBLE SHOOTING FOR GOVERNOR AND CONTROLS.

a. Governor faults are usually indicated by speed variations of the engine, but not all such speed variations are caused by improper functioning of the governor. Therefore, when improper speed variations occur, eliminate other possible causes before tampering with the governor. Check as follows:

(1) Check the load being pulled to be sure that the speed changes are not the result of changes in load.

(2) Check engine to be sure that all cylinders are firing properly.

(3) See that no bind exists in any of the governor mechanism or operating linkage between governor and engine; also see that no bind exists in the injector control tube shaft or its mounting brackets. With the governor control link connected to the injector control tube lever, the mechanism should be free from bind throughout the entire travel of injector control racks. Binding may be due to any of the following conditions:

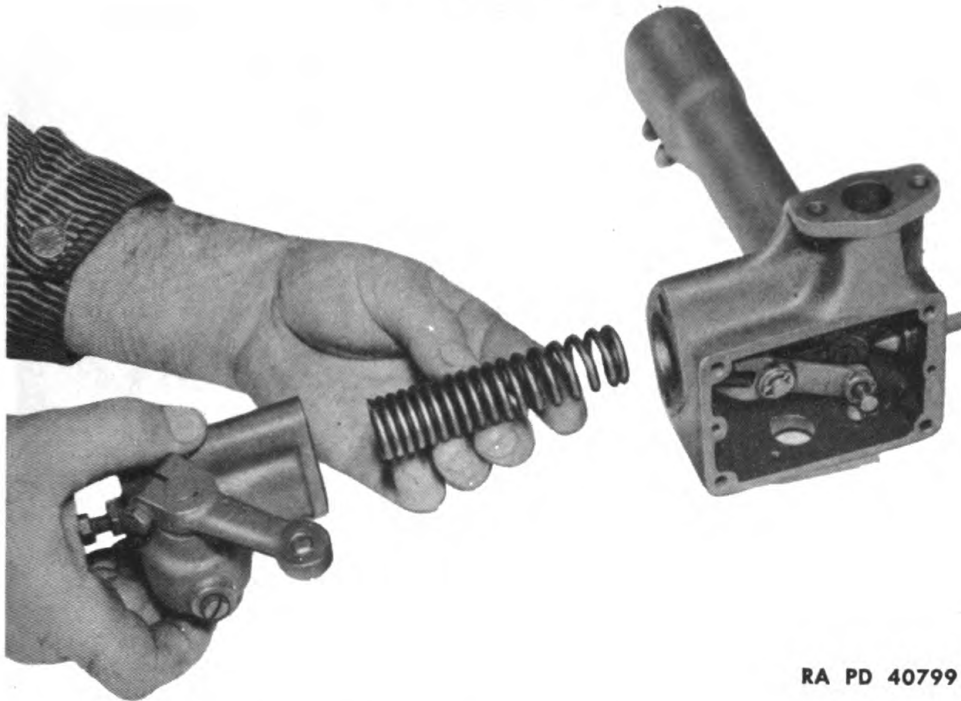
(a) *Injector Racks May Stick or Move Too Hard.* This may be due to the injector clamp being held too tightly or not positioned properly, and can often be eliminated by tapping the foot of the clamp lightly with small hammer and a long punch. The injector control rack may stick, due to being cramped by control rack lever being out of position or cocked. Test by loosening adjusting screws. If bind is relieved, move lever endways slightly on shaft and adjust screws again as described in "Injector Equalizing" (par. 30).

(b) *Injector Control Tube May Stick or Work Hard.* This can be caused by dirt or chips in the bearings of the brackets supporting the tube, lack of lubrication, poor alinement of the brackets, or worn-out bearings. Correct by cleaning and lubricating bearings, realining brackets, or replacing bearings.

(c) *Control Tube Spring May Be Bent or Linkage Binding.* The control tube should rotate and return injector control racks to the "NO FUEL" position by spring only. *Never stretch or tamper with*



**GOVERNOR**



RA PD 40799

**Figure 150 – Removal of Spring Housing and Spring from Control Housing**

**(5) REMOVE CONTROL HOUSING ASSEMBLY.**

**PLIERS**

**WRENCH,  $\frac{7}{16}$ -in.**

Remove the four cap screws from weight housing cover ( $\frac{7}{16}$ -in. wrench). This also disconnects bottom of control housing from weight housing. Remove spring clip from differential lever pin (pliers) and lift control link off pin. Remove the two cap screws holding upper end of control housing to cylinder head ( $\frac{7}{16}$ -in. wrench). Remove control housing assembly.

**(6) REMOVE GOVERNOR WEIGHT HOUSING.**

**WRENCH,  $\frac{1}{2}$ -in.**

Remove the six cap screws from weight housing and pull housing from front end plate cover of blower.

**184. DISASSEMBLY OF GOVERNOR.**

**a. Equipment.**

**CHISEL, small**

**HAMMER,  $\frac{1}{2}$ -lb**

**PLIERS, long-nose**

**PRESS, arbor**

**PUNCH, small**

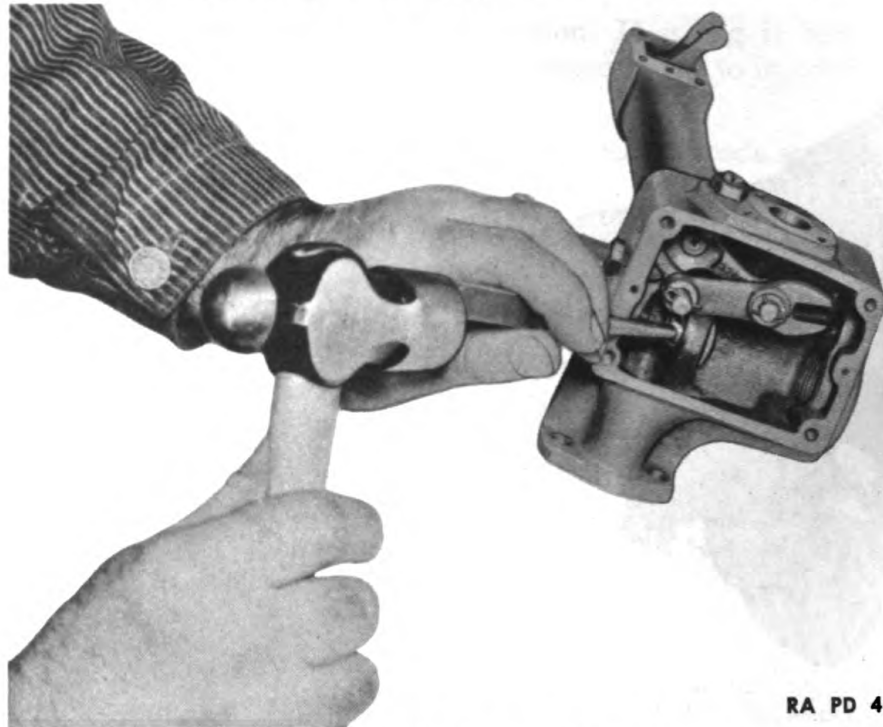
**SCREWDRIVER, 6-in.**

**WRENCH,  $\frac{1}{2}$ -in.**

**WRENCH, hexagon,  $\frac{3}{16}$ -in.**

**WRENCH, socket,  $1\frac{1}{16}$ -in.**

**ORDNANCE MAINTENANCE—MEDIUM TRACTOR M1  
(ALLIS-CHALMERS HD-7W) ENGINE ACCESSORIES**



RA PD 40900

**Figure 151 – Removing Variable Speed Spring Plunger Guide**

**b. Procedure.**

**(1) REMOVE VARIABLE SPEED SPRING HOUSING.**

**WRENCH, 1/2-in.**

Remove the two cap screws holding variable speed spring housing to control housing. Remove spring from control housing (fig. 150), and spring retainer and washers from spring housing (fig. 159).

**(2) REMOVE VARIABLE SPEED SPRING PLUNGER.**

**HAMMER, 1/2-lb**

**PUNCH**

Slip variable speed spring plunger from plunger guide. Then tap guide out of boss in control housing with hammer and punch.

**(3) REMOVE DIFFERENTIAL LEVER.**

**PLIERS, long-nose**

Remove spring clip and washer from pin on operating lever and lift off differential lever (fig. 160).

**(4) REMOVE OPERATING SHAFT ASSEMBLY.**

**HAMMER, 1/2-lb**

**SCREWDRIVER, 6-in.**

**PUNCH, small**

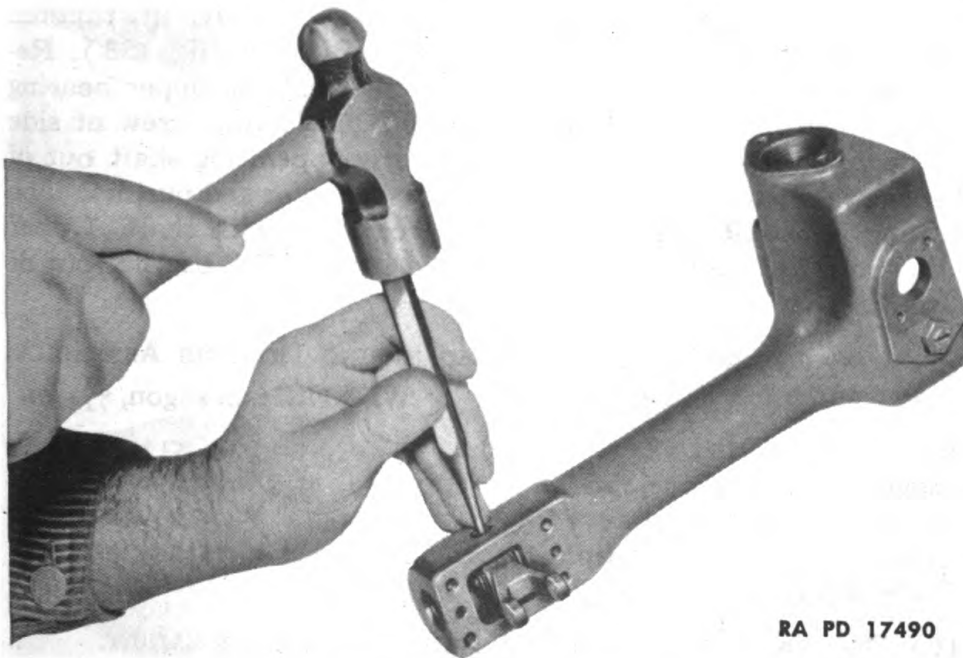


**GOVERNOR**



RA PD 40795

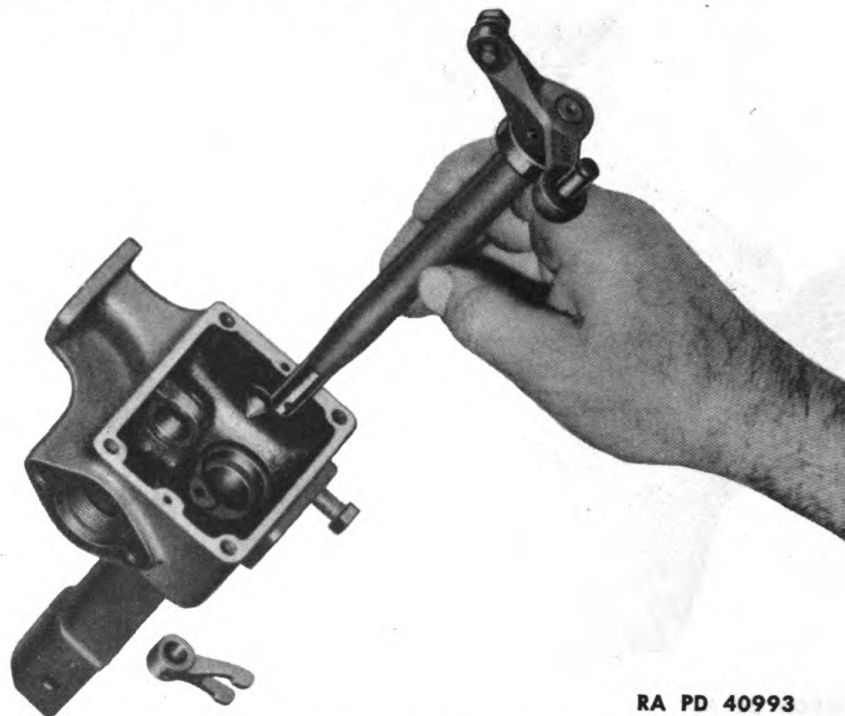
**Figure 152 – Expansion Plugs Removed from Control Housing**



RA PD 17490

**Figure 153 – Removing Tapered Pin from Governor Yoke and Shaft**

**ORDNANCE MAINTENANCE—MEDIUM TRACTOR M1  
(ALLIS-CHALMERS HD-7W) ENGINE ACCESSORIES**



RA PD 40993

**Figure 154 – Governor Operating Shaft Assembly Removed**

Using hammer and punch, dislodge the three expansion plugs at bottom and each side of control housing (fig. 152). Drive the tapered pin from yoke lever and lower end of operating shaft (fig. 153). Remove lock screw, lock washer, and flat washer holding upper bearing in control housing and back out governor buffer spring screw at side of control housing (screwdriver). Then drive operating shaft out of yoke lever and out through top of housing (hammer and punch). The operating lever and upper bearing will come out with shaft. Upper bearing can then be tapped off shaft and lower roller bearing out of control housing.

- (5) **DISASSEMBLE VARIABLE SPEED SPRING HOUSING ASSEMBLY.**  
SCREWDRIVER, 6-in.                      WRENCH, hexagon,  $\frac{3}{16}$ -in.

Remove pipe plug (fig. 155) from top of housing (screwdriver). Remove set screw (fig. 156) from spring lever through hole from which pipe plug was removed ( $\frac{3}{16}$ -in. hexagon wrench). Remove variable speed lever shaft from housing. Variable speed spring lever will now drop out of housing.

- (6) **DISASSEMBLE GOVERNOR WEIGHT HOUSING ASSEMBLY.**  
CHISEL, small                              PRESS, arbor  
HAMMER,  $\frac{1}{2}$ -lb                              PUNCH, small  
PLIERS, long-nose                              WRENCH, socket,  $\frac{11}{16}$ -in.

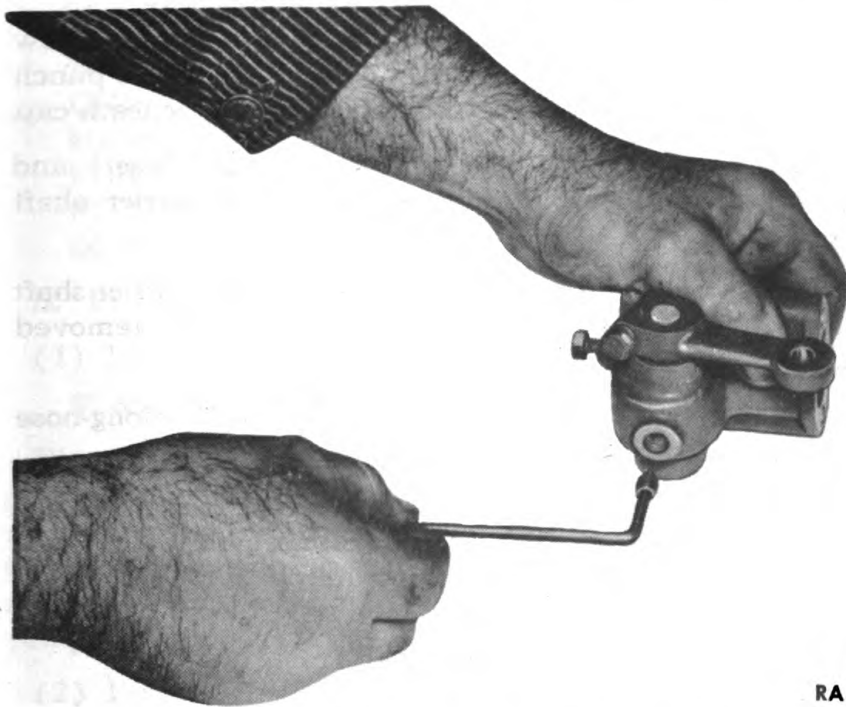


**GOVERNOR**



RA PD 41000

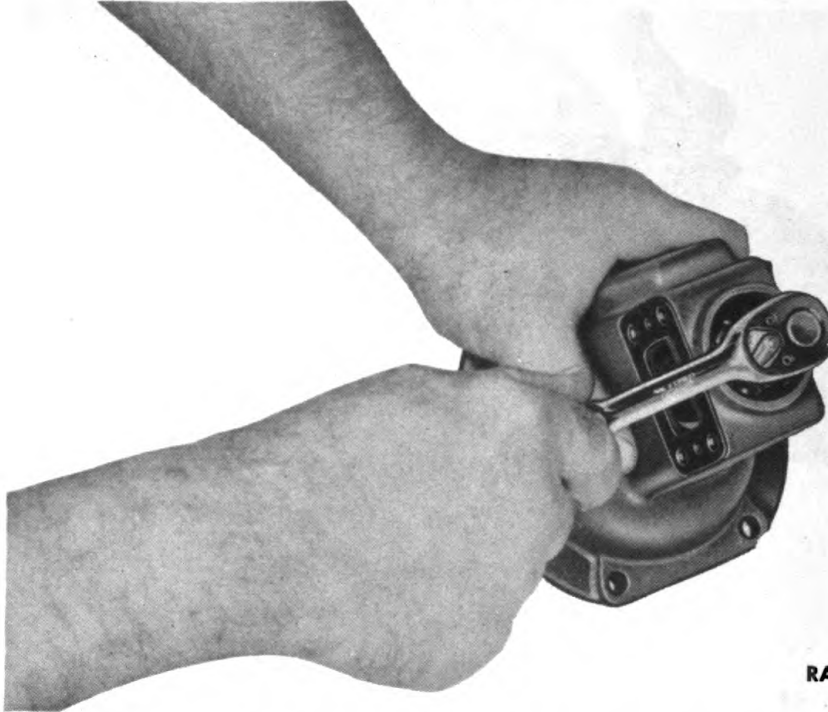
**Figure 155 – Removing Pipe Plug from Spring Housing**



RA PD 17489

**Figure 156 – Removing Set Screw from Variable Speed Spring Lever**

**ORDNANCE MAINTENANCE—MEDIUM TRACTOR M1  
(ALLIS-CHALMERS HD-7W) ENGINE ACCESSORIES**



RA PD 40990

**Figure 157 – Removing Retainer Screw from Weight Carrier Shaft**

(a) Support governor weight housing in vise and remove housing end cap by driving punch through cap and prying from place. A new cap must be at hand for replacement. **CAUTION:** Do not drive punch through too far so end of punch will damage ball bearing beneath cap.

(b) Straighten lip on locking washer (hammer and chisel) and remove retainer screw (fig. 157) from outer end of carrier shaft ( $1\frac{1}{16}$ -in. wrench).

(c) Support housing assembly in arbor press and press carrier shaft from ball bearing. Shaft and weight assembly may now be removed from housing.

(d) Remove snap ring holding ball bearing in place (long-nose pliers) and tap bearing from housing (hammer and punch).

(e) Remove thrust bearing assembly and governor riser assembly from weight carrier shaft (fig. 162). Do not disassemble weight and shaft assembly as they are not serviced separately.

**185. INSPECTION OF GOVERNOR PARTS.**

a. Wash all parts in clean Diesel fuel and dry with compressed air. Then inspect to see if the various parts are fit for further use. Since the function of the governor is to control the fuel injection by means

## GOVERNOR

of suitable linkage within the governor and inter-connected linkage between the governor and the injector control, the freedom of all moving parts is of the utmost importance. When inspecting governor parts, therefore, bear in mind the fact that all parts must work freely with their mating parts.

b. Clean annular ball bearings thoroughly of dirt, blow out with dry air, then lubricate with OIL, engine, SAE 10, before checking. Hold in fingers and revolve slowly for any indication of tight or rough spots. Bearings that do not roll freely should not be used. The balls and races of thrust ball bearing must be smooth and free from pits, wear, or corrosion, otherwise they are unfit for use. The same is true of roller bearings; in addition, the rollers must be perfectly round and not worn to a taper. Examine operating shaft at roller bearing for wear.

c. Examine all sleeves, pins, journals, links, and shaft for wear; also for fits, and, if necessary, dress with CLOTH, crocus, for proper fit. The weights should be suspended in their carrier sufficiently free to fall from the extended to the inner position by their own weight, and the suspending pins should not be more than 0.002 inch out-of-round.

### 186. ASSEMBLY OF GOVERNOR.

#### a. Equipment.

BAR, soft	WOOD BLOCK
CHISEL, small	WRENCH, $\frac{7}{16}$ -in.
HAMMER, $\frac{1}{2}$ -lb	WRENCH, $\frac{1}{2}$ -in.
PLIERS, long-nose	WRENCH, hexagon, $\frac{3}{16}$ -in.
PUNCH	WRENCH, socket, $1\frac{1}{16}$ -in.
SCREWDRIVER, 6-in.	

#### b. Procedure (par. 6 a).

##### (1) INSTALL VARIABLE SPEED LEVER SHAFT.

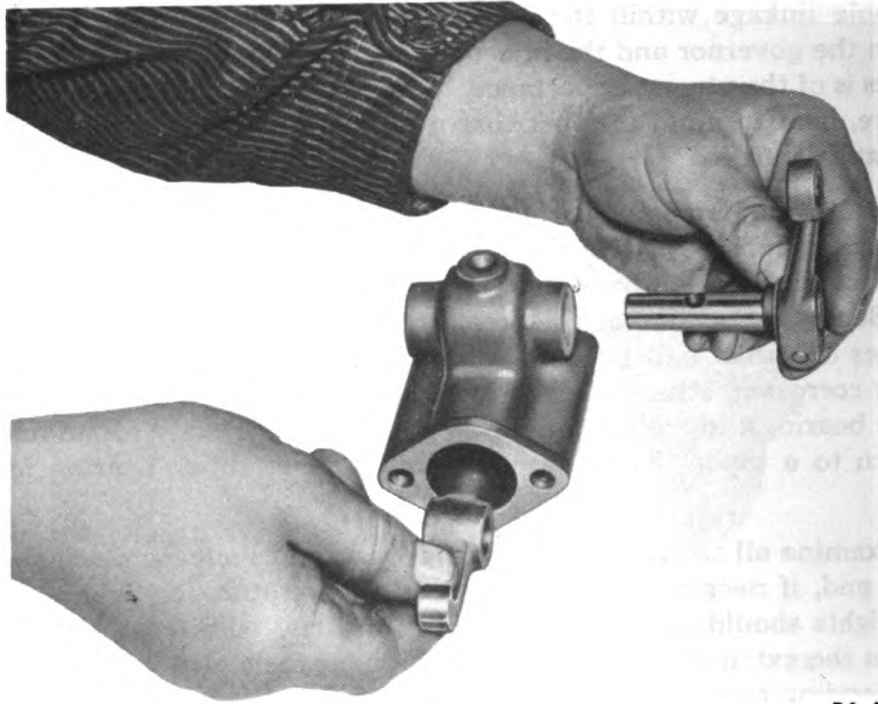
SCREWDRIVER, 6-in.	WRENCH, hexagon, $\frac{3}{16}$ -in.
--------------------	--------------------------------------

Place packing washer on shaft, then packing ring. Hold variable speed spring lever in position (in spring housing with lip toward opening), and insert shaft into housing and through lever (fig. 158). Install set screw in spring lever so point of screw enters recess in shaft ( $\frac{3}{16}$ -in. hexagon wrench). Install  $\frac{1}{8}$ -inch slotted pipe plug in hole at top of spring housing (screwdriver).

##### (2) INSTALL SPRING RETAINER AND WASHERS.

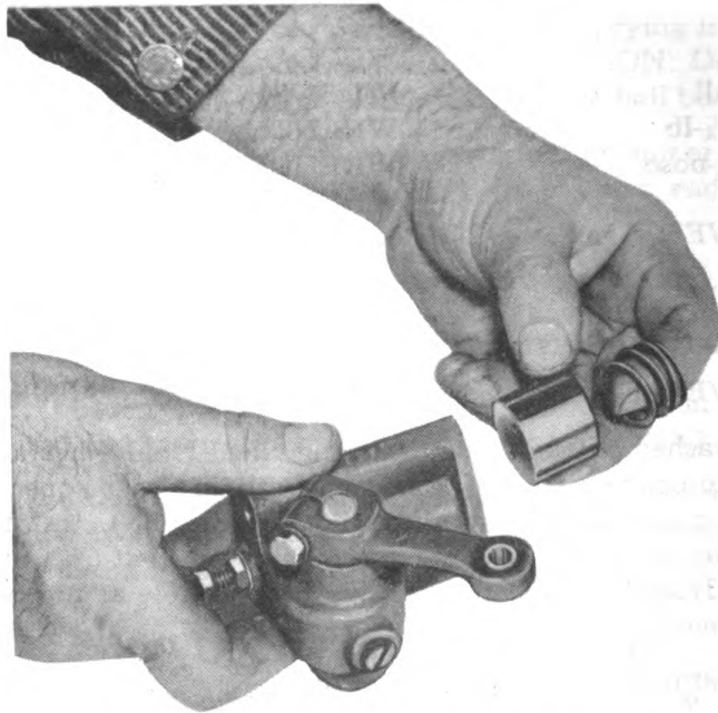
Drop washers formerly removed into variable speed spring retainer and drop retainer and washers into spring housing, cup side out.

**ORDNANCE MAINTENANCE—MEDIUM TRACTOR M1  
(ALLIS-CHALMERS HD-7W) ENGINE ACCESSORIES**



RA PD 40904

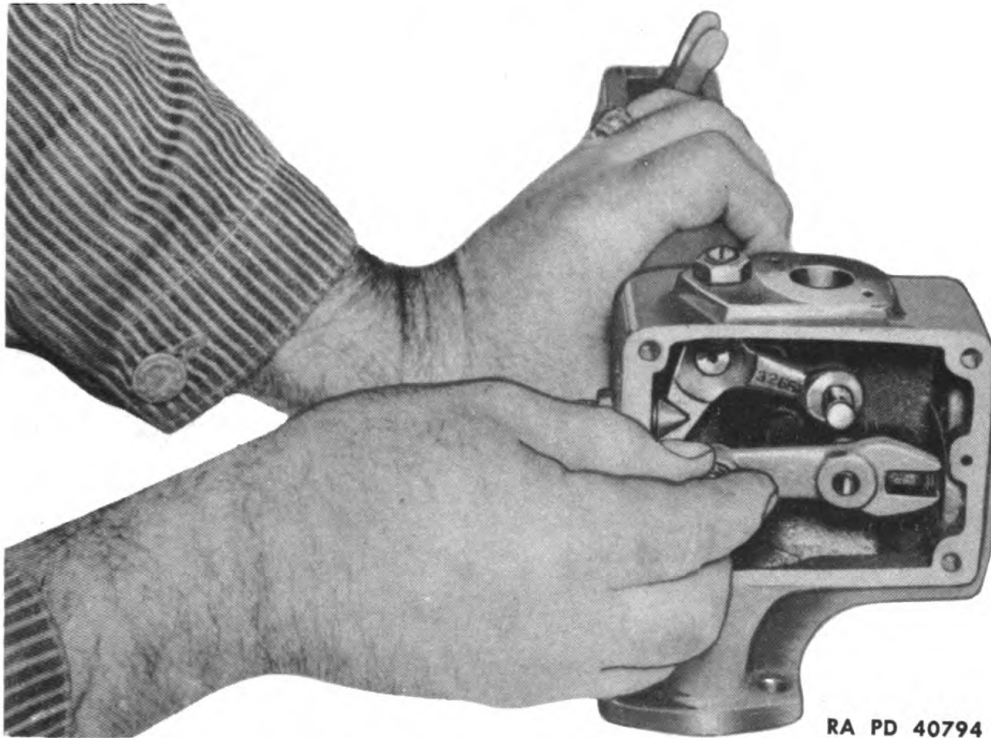
**Figure 158 – Installing Variable Speed Spring Lever and Shaft**



RA PD 40788

**Figure 159 – Installing Variable Speed Spring Retainer**

**GOVERNOR**



**Figure 160 – Installing Differential Lever**

**(3) INSTALL OPERATING SHAFT ASSEMBLY.**

**BAR, soft**

**HAMMER, soft**

**PUNCH**

**SCREWDRIVER, 6-in.**

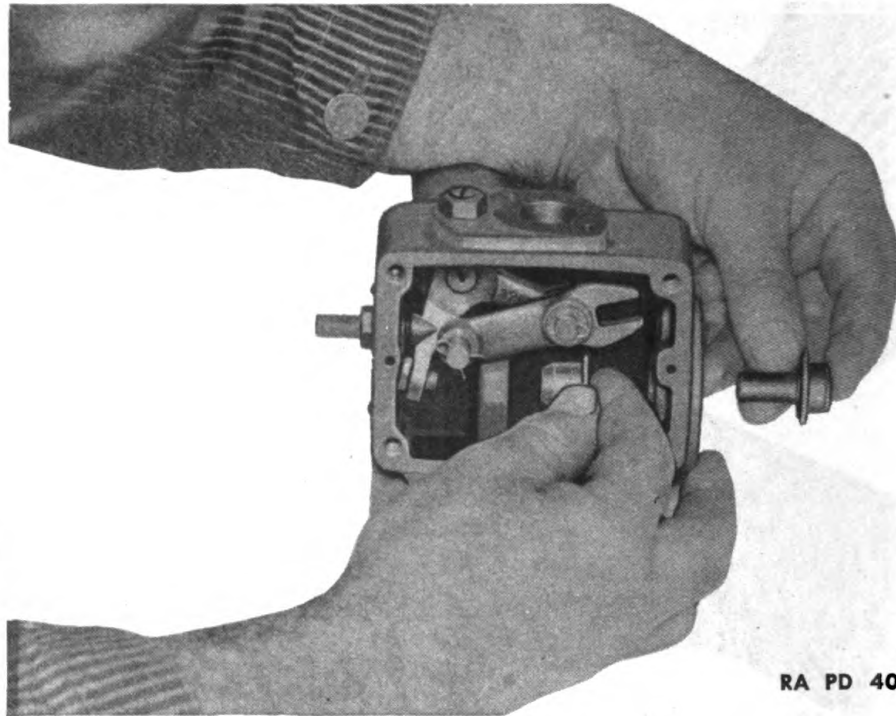
Support shaft in vise and tap ball bearing into place on upper end of shaft (soft hammer). Apply OIL, engine, SAE 10, to lower roller bearing assembly and tap bearing into place in control housing for lower end of shaft (hammer and soft bar). Install shaft assembly in control housing. After end of shaft passes through lower bearing, place yoke lever on lower end, with rounded lips of yoke directed towards rear of governor (soft hammer). Line up holes in yoke lever with hole in shaft and drive tapered pin (fig. 153) into hole tightly from opposite side than in disassembly (hammer and punch). Install plain washer, lock washer, and lock screw to hold upper ball bearing in place (screwdriver). Test shaft to see if it revolves freely in bearings. Then install three expansion plugs in holes in bottom and sides of control housing (fig. 152).

**(4) INSTALL DIFFERENTIAL LEVER.**

**PLIERS**

Set differential lever assembly with pin up on pin of operating lever and secure with washer and spring clip.

**ORDNANCE MAINTENANCE — MEDIUM TRACTOR M1  
(ALLIS-CHALMERS HD-7W) ENGINE ACCESSORIES**



RA PD 40798

**Figure 161 – Installing Variable Speed Spring Plunger and Guide**

(5) INSTALL VARIABLE SPEED SPRING PLUNGER AND PLUNGER GUIDE.

HAMMER, 1/2-lb

PUNCH

Drive plunger guide into bore in control housing with punch and hammer. Insert plunger into plunger guide (fig. 161).

(6) INSTALL VARIABLE SPEED SPRING AND HOUSING.

WRENCH, 1/2-in.

Install variable speed spring into spring retainer in spring housing and assemble housing to control housing with two 5/16- x 3 1/2-inch cap screws (fig. 150). Use gasket between the two housings.

(7) ASSEMBLE GOVERNOR WEIGHT HOUSING ASSEMBLY.

CHISEL, small

WOOD BLOCK

HAMMER, 1/2-lb

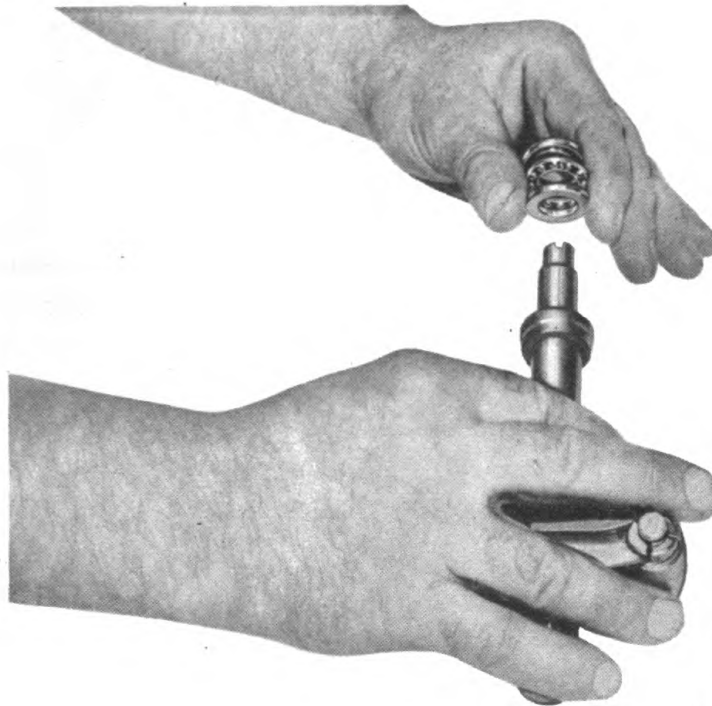
WRENCH, socket, 1 1/16-in.

PLIERS, long-nose

Use wood block and hammer and tap ball bearing into outer end of weight housing. Install snap ring in groove to lock bearing in place (pliers). Support serrated end of shaft in soft-jawed vise or hold it on block. Slip riser, then thrust bearing assembly (fig. 162) on shaft. Drop housing over shaft. Then, using block of wood on inner race of



**GOVERNOR**



RA PD 40995

**Figure 162 – Installing Riser and Thrust Bearing on Weight Carrier Shaft**

ball bearing, drive bearing onto shaft tight against shoulder of shaft (hammer). Slip flat washer and locking washer on end of shaft and install retainer screw ( $1\frac{1}{16}$ -in. wrench). Bend locking washer over head of retainer screw (hammer and chisel). Install new housing end cap in end of housing (hammer).

**(8) CONNECT CONTROL HOUSING TO WEIGHT HOUSING.**

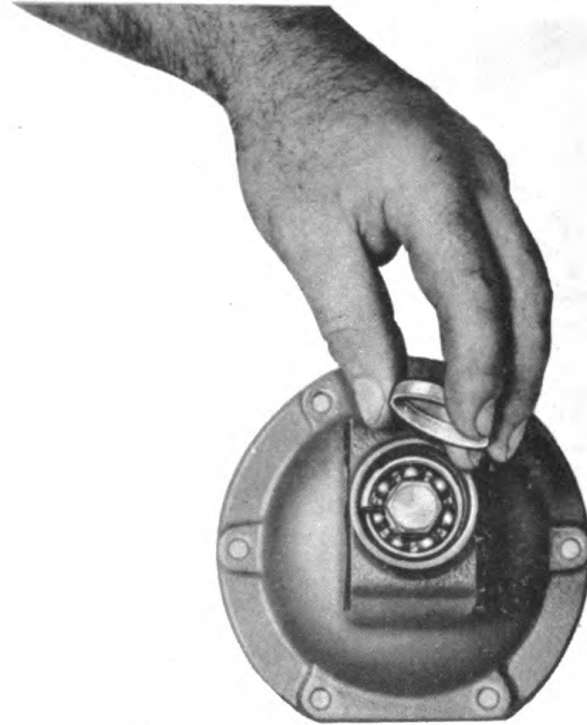
**WRENCH,  $\frac{7}{16}$ -in.**

**NOTE:** If governor is to be put on tractor immediately, do not perform this step or step (9), as weight housing and control housing must be installed separately and control housing cover removed. If assembly is to be put in spare parts stock, it is best to connect the two for a complete assembly. Insert yoke lever through opening from rear side of weight housing (with yoke ahead of thrust bearing assembly and over weight shaft). Hold weight housing cover and gasket in place and install four  $\frac{1}{4}$ - x  $2\frac{1}{4}$ -inch cap screws to connect control housing to weight housing ( $\frac{7}{16}$ -in. wrench). Pour about  $\frac{1}{2}$  pint of OIL, engine, SAE 10, into top of governor to lubricate parts thoroughly.

**(9) INSTALL CONTROL HOUSING COVER**

Install cover gasket and cover assembly on top of control housing with pin on shut-off lever engaging in yoke of differential lever.

**ORDNANCE MAINTENANCE—MEDIUM TRACTOR M1  
(ALLIS-CHALMERS HD-7W) ENGINE ACCESSORIES**



RA PD 40902

**Figure 163 – Installing Weight Housing End Cover**

Attach cover with four  $\frac{1}{4}$ - x  $\frac{7}{8}$ -inch screws. If assembly is to be stored, cover openings with adhesive paper, if possible, to guard against entrance of dirt and moisture.

**187. INSTALLATION AND ADJUSTMENT.**

**a. Equipment.**

GAGE, feeler, 0.006- and  
0.020-in.

INDICATOR, speed

PLIERS

SCREWDRIVER, 6-in.

WRENCH,  $\frac{1}{2}$ -in.

WRENCH, open-end,  $\frac{3}{8}$ -in.

WRENCH, open-end,  $\frac{7}{16}$ -in.

WRENCH, open-end,  $\frac{9}{16}$ -in.

**b. Procedure.**

**(1) INSTALL GOVERNOR WEIGHT HOUSING.**

Shellack gasket to mounting flange of housing. Slide the housing assembly up against the front end of the blower with splined end of weight carrier shaft (fig. 82) entering the hollow upper blower rotor shaft. Install the six  $\frac{5}{16}$ - x  $\frac{7}{8}$ -inch cap screws, *fingertight only*.

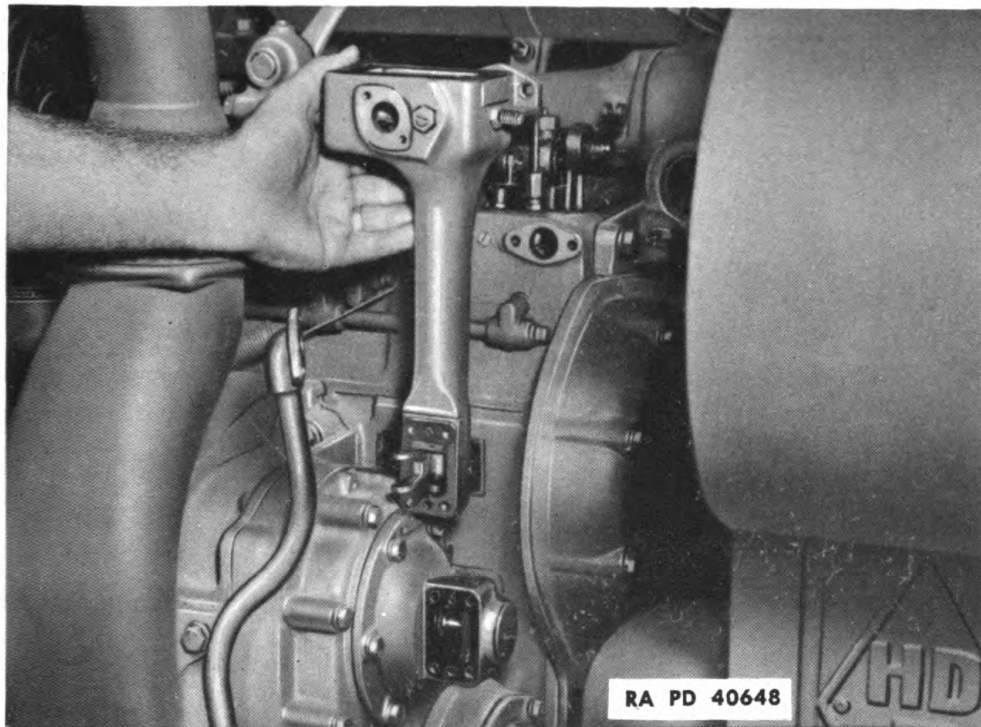
**(2) INSTALL GOVERNOR CONTROL HOUSING.**

WRENCH,  $\frac{7}{16}$ -in.

WRENCH,  $\frac{1}{2}$ -in.



**GOVERNOR**



**Figure 164 – Installing Governor Control Housing**

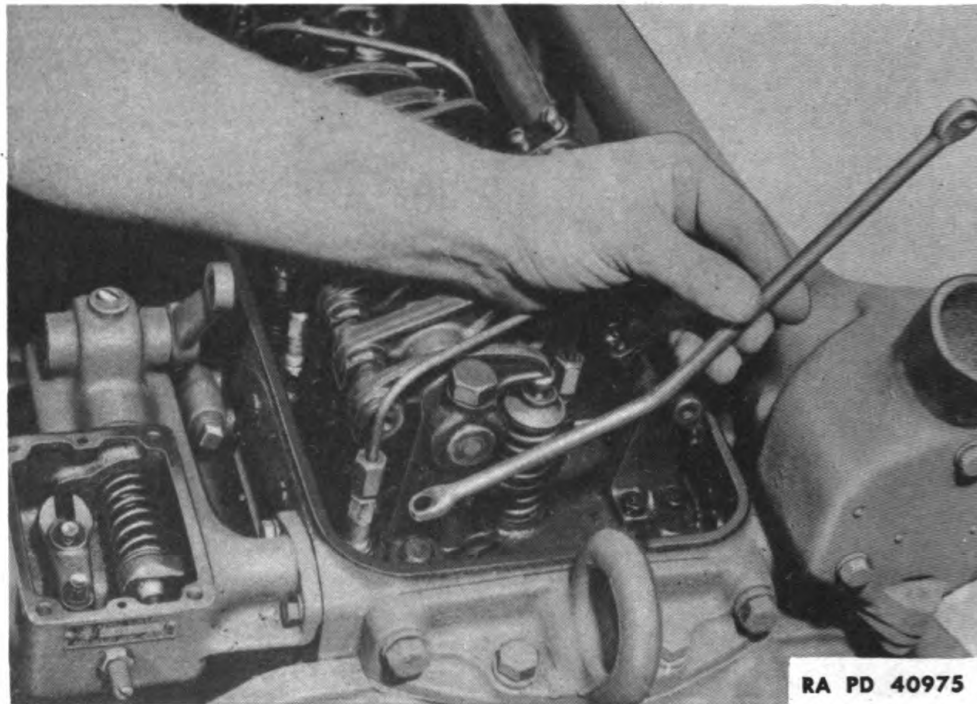
Shellack new gasket to mounting surface at upper end of control housing. Place new paper gasket on dowels at lower end of control housing. Set control housing in position against weight housing; then put weight housing cover and gasket in position, and attach cover, gaskets, and the two housings together with four  $\frac{1}{4}$ -x  $2\frac{1}{4}$ -inch cap screws ( $\frac{7}{16}$ -in. wrench). **IMPORTANT!** Be sure that forked lever is assembled with rounded machined faces bearing on outer thrust washer, and not between outer washer and balls. Attach upper end of housing to cylinder head with two  $\frac{1}{4}$ -x  $\frac{3}{4}$ -inch cap screws ( $\frac{7}{16}$ -in. wrench). Then tighten the cap screws holding weight housing to blower ( $\frac{1}{2}$ -in. wrench). Pour  $\frac{1}{2}$  pint of OIL, engine, SAE 10, into top of control housing to lubricate parts.

**(3) CONNECT GOVERNOR CONTROL LINK.**

**PLIERS**

Insert short bent end of control link through hole in cylinder head into control housing and set end of link on pin of differential lever. Secure with washer and spring clip. Connect other end of link to injector control tube lever with pin and cotter pin. Connect governor control rod to variable speed operating lever with pin and cotter pin.

**ORDNANCE MAINTENANCE—MEDIUM TRACTOR M1  
(ALLIS-CHALMERS HD-7W) ENGINE ACCESSORIES**



RA PD 40975

**Figure 165 – Installing Governor Control Link**

**(4) ADJUST GOVERNOR CONTROLS (fig. 166).**

**GAGE, feeler, 0.006- and  
0.020-in.  
SCREWDRIVER, 6-in.**

**WRENCH, open-end, 3/8-in.  
WRENCH, open-end, 7/16-in.  
WRENCH, open-end, 9/16-in.**

(a) Check valve clearance, timing and equalizing of injectors before adjusting governor (if necessary, adjust—pars. 28-30).

(b) Push fuel and air shut-off knob in against dash. Place throttle control in half open position.

(c) Loosen the lock nut on the adjusting screw (A) (7/16-in. wrench) and turn the adjusting screw in or out until a 0.006-inch feeler gage can be inserted between the spring plunger and spring plunger guide at (B). Tighten lock nut (7/16-in. wrench).

(d) Loosen the lock nut on the buffer spring screw (9/16-in. wrench). Push the governor control link toward the buffer spring so as to close the injectors completely. Turn the buffer spring adjusting screw in or out (screwdriver) until a 0.020-inch feeler gage can be inserted between the differential lever and the buffer spring screw at (C). Tighten lock nut (9/16-in. wrench).

(e) When the motor was originally assembled, the adjusting screw (D) was backed out as far as possible and the lock nut securely

GOVERNOR

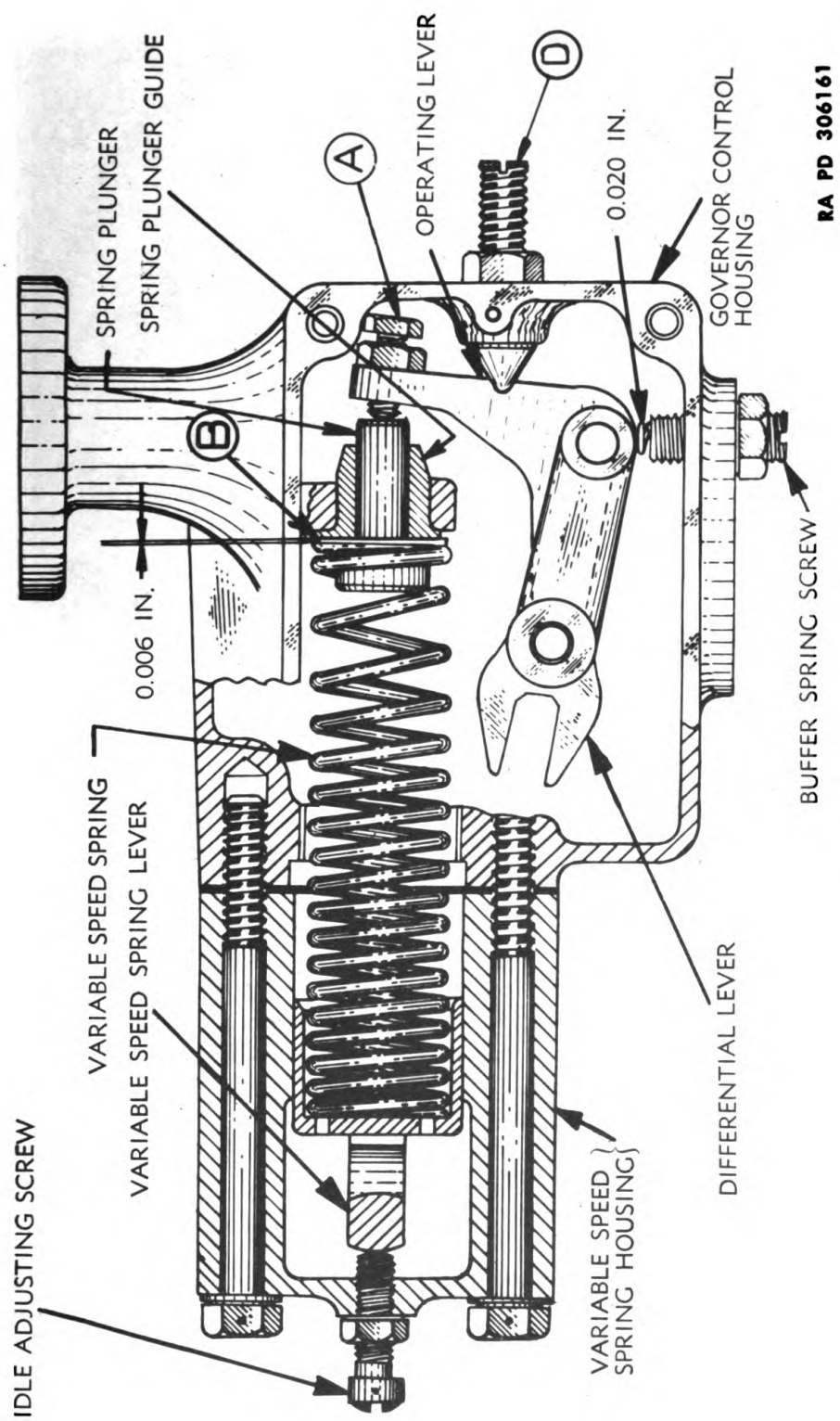
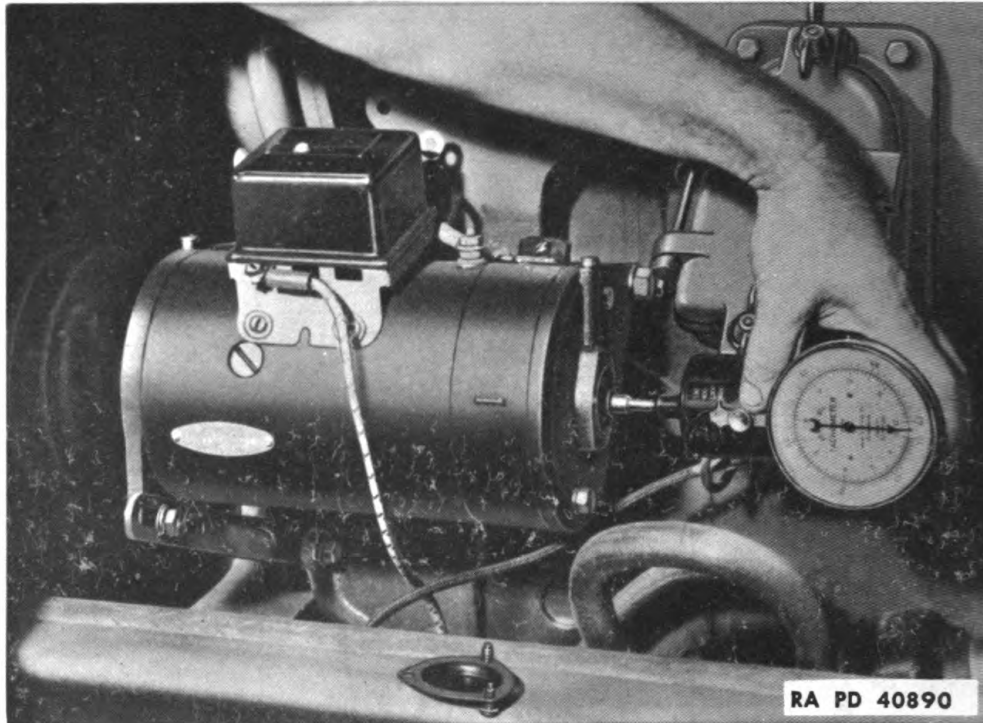


Figure 166 - Governor Adjustments

Generated on 2014-12-10 16:05 GMT / http://hdl.handle.net/2027/uc1.b3243978  
Public Domain, Google-digitized / http://www.hathitrust.org/access\_use#pd-google

**ORDNANCE MAINTENANCE—MEDIUM TRACTOR M1  
(ALLIS-CHALMERS HD-7W) ENGINE ACCESSORIES**



**Figure 167 – Checking Engine Speed**

tightened. This screw plays no part in the adjustment or operation of this governor. It will never be necessary to change the original setting of the screw.

**(5) INSTALL CONTROL HOUSING COVER ASSEMBLY.**

**PLIERS**

**SCREWDRIVER, 6-in.**

Place gasket and cover on top of housing with pin on shut-off lever engaging in yoke of differential lever. Secure cover with four  $\frac{1}{4}$ -x  $\frac{7}{8}$ -in. screws (screwdriver). Connect fuel shut-off rod to lever on cover with pin and cotter pin (pliers). Check travel of shut-off lever (par. 190). Replace rocker arm cover.

**(6) INSTALL HOOD AND PRECLEANER.**

**WRENCH,  $\frac{7}{16}$ -in. (2)**

**WRENCH, open-end,  $\frac{9}{16}$ -in.**

Set hood in position. Force hold-down strap bolts into clips and tighten ( $\frac{9}{16}$ -in. wrench). Set precleaner on tube at top of air cleaner and tighten clamp at base (two  $\frac{7}{16}$ -in. wrenches).

**(7) CHECK IDLING SPEED (IF NECESSARY).**

**INDICATOR, speed  
SCREWDRIVER, 6-in.**

**WRENCH,  $\frac{7}{16}$ -in.**

## GOVERNOR

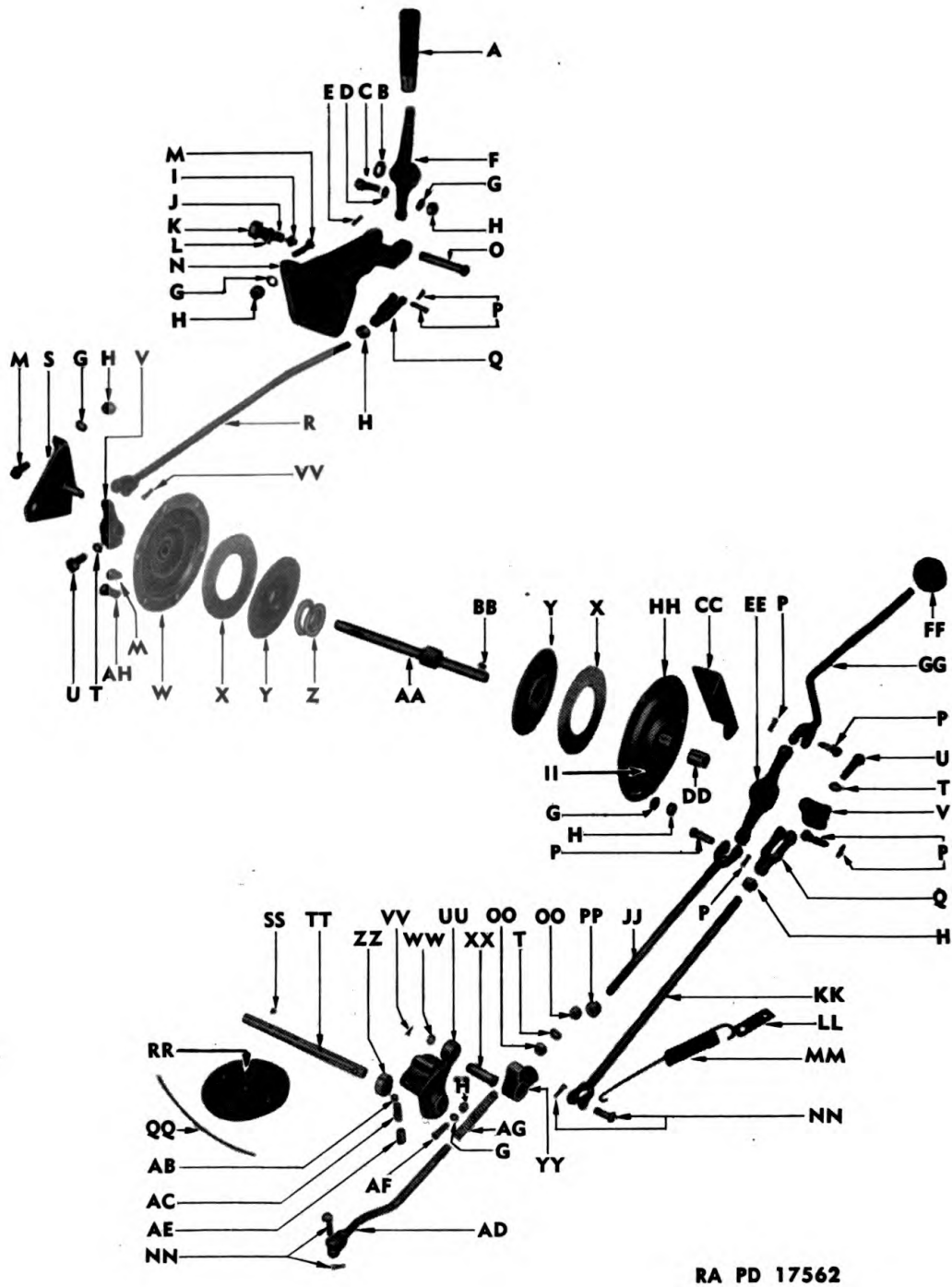
The full load speed adjustment is made at the factory and must not be changed in the field. If it becomes necessary to change the idling speed, start the engine and operate until it has reached the normal operating temperature. Loosen the lock nut ( $\frac{7}{16}$ -in. wrench) on the idle adjusting screw and turn the screw IN (clockwise) for higher speeds, or OUT (counterclockwise) for slower speeds (screwdriver) until the desired speed is obtained. The correct idling speed is 350 revolutions per minute. Tighten the lock nut securely. The revolutions per minute of engine can be checked by removing cover from rear of generator and checking speed of generator with a speed indicator (be sure generator belt is tight when making this test). If speed of generator is 595 revolutions per minute, the idling speed of the engine is correct.

### 188. SPECIAL TOOLS.

- a. Special tools required for governor are as follows:

INDICATOR, speed                      PRESS, arbor

**ORDNANCE MAINTENANCE—MEDIUM TRACTOR M1  
(ALLIS-CHALMERS HD-7W) ENGINE ACCESSORIES**



RA PD 17562

**Figure 168 — Exploded View of Engine Controls**

## ENGINE CONTROLS

A — LEVER GRIP  
B — SHIM  
C — STOP PIN  
D — SHIM  
E — COTTER PIN  
F — THROTTLE LEVER, W/PIN, ASSEMBLY  
G — LOCK WASHER  
H — NUT  
I — BRACKET PLUNGER  
J — BRACKET PLUNGER SPRING  
K — CAP SCREW  
L — LOCK WASHER  
M — BOLT  
N — BRACKET  
O — THROTTLE LEVER PIVOT SHAFT  
P — ROD END PIN, W/COTTER PIN  
Q — ADJUSTABLE ROD END YOKE  
R — ROD, W/ROD END, ASSEMBLY  
S — LEVER SHAFT BRACKET  
T — LOCK WASHER  
U — BOLT  
V — SHAFT LEVER  
W — COVER, (INNER) W/BUSHING, ASSEMBLY  
X — FRICTION DISK  
Y — FRICTION PRESSURE PLATE  
Z — FRICTION PRESSURE PLATE SPRING  
AA — SHAFT, ASSEMBLY  
BB — WOODRUFF KEY  
CC — COVER MOUNTING BRACKET  
DD — FRICTION DISK COVER BUSHING  
EE — SHUT-OFF LEVER  
FF — SHUT-OFF ROD KNOB  
GG — REAR SHUT-OFF ROD, W/ROD END, ASS'Y  
HH — COVER, (OUTER) W/BUSHING, ASSEMBLY  
II — PIPE PLUG  
JJ — FUEL AND AIR SHUT-OFF ROD, W/ROD  
END, ASS'Y  
KK — THROTTLE CONTROL ROD  
LL — SPRING CLIP  
MM — THROTTLE CONTROL ROD SPRING  
NN — PIN, W/COTTER PIN  
OO — NUT  
PP — NUT  
QQ — LOCKING WIRE  
RR — AIR SHUT-OFF VALVE  
SS — SPECIAL SCREW  
TT — AIR SHUT-OFF SHAFT  
UU — AIR SHUT-OFF SHAFT LEVER  
VV — COTTER PIN  
WW — PLAIN WASHER  
XX — LEVER ROD PIVOT PIN  
YY — FRONT SHUT-OFF ROD LEVER  
ZZ — AIR SEAL  
AB — BALL  
AC — BALL SPRING  
AD — FRONT SHUT-OFF ROD, W/WASHER, ASS'Y  
AE — SLEEVE  
AF — BOLT  
AG — SPRING  
AH — BOLT

RA PD 17562D

### Legend for Figure 168 — Engine Controls



ORDNANCE MAINTENANCE — MEDIUM TRACTOR M1  
(ALLIS-CHALMERS HD-7W) ENGINE ACCESSORIES

CHAPTER 9  
GOVERNOR AND CONTROLS

Section II  
ENGINE CONTROLS

	Paragraph
Throttle control .....	189
Fuel shut-off and air valve control.....	190

**189. THROTTLE CONTROL.**

a. The throttle lever is connected by indirect linkage to the variable speed operating lever on the governor spring housing. Motion of the hand throttle lever is transmitted to the throttle shaft, which is mounted on the front side of the cowl, by means of the throttle rod and lever. Another lever keyed to the other end of the throttle shaft transmits the motion to the throttle control rod and thence to the governor variable speed operating lever. A spring loaded diaphragm, with two fiber friction disks and pressure plates, holds the throttle shaft in the position set by the throttle lever.

b. Moving the throttle lever causes more or less tension to be imposed on the variable speed spring and thus increases or decreases the governed engine speed.

**190. FUEL SHUT-OFF AND AIR VALVE CONTROL.**

a. Opening or closing of the air valve in the air intake elbow and of the fuel shut-off lever on the governor is accomplished with the fuel and air shut-off knob on the tractor dash. Pushing the knob in against the dash opens the air valve and moves the fuel shut-off lever on the governor control housing to the open position (back). Pulling the knob out closes the air valve and moves fuel shut-off lever on governor to the closed position (forward).

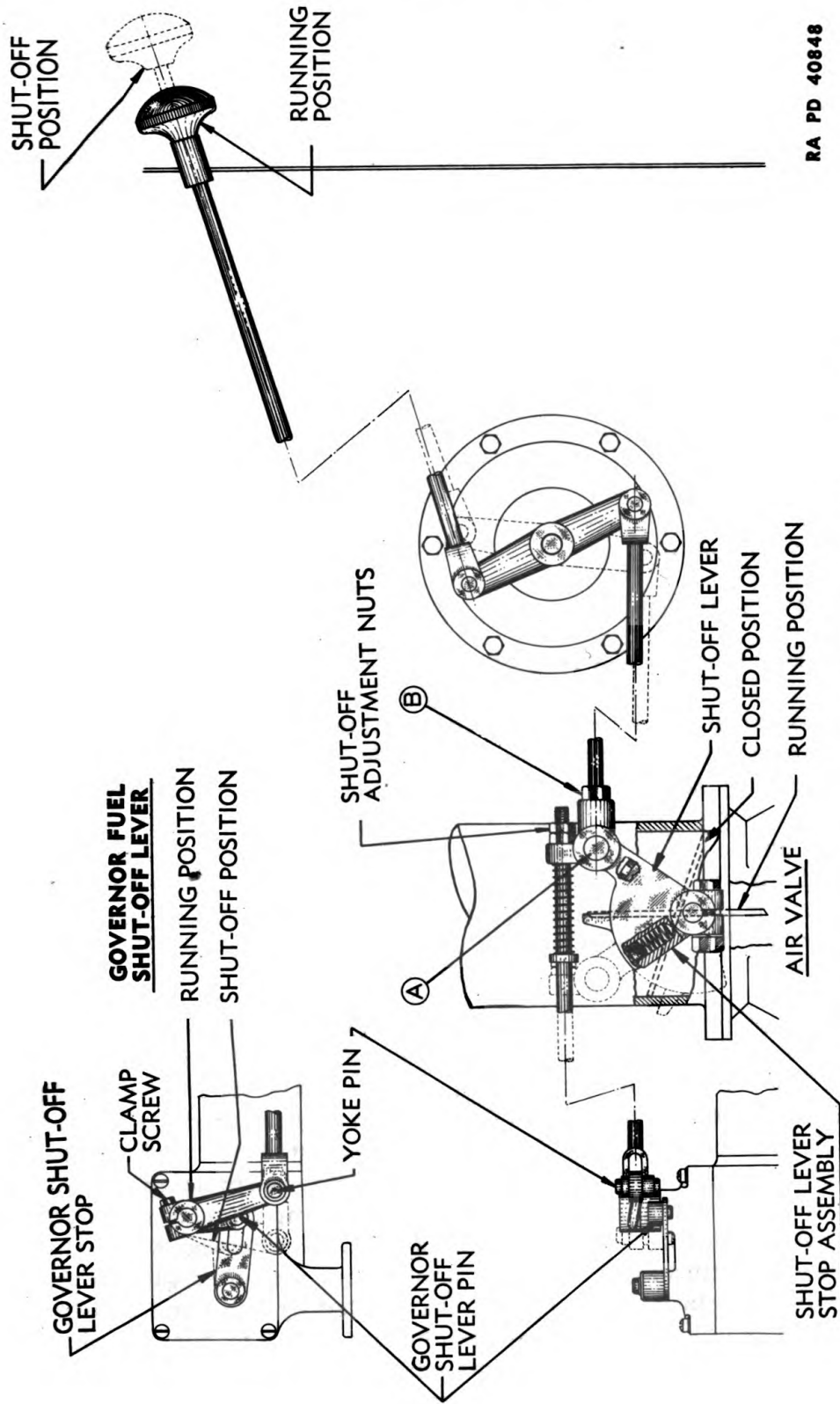
b. Correct adjustment of the fuel shut-off and air valve control can be easily checked as follows:

(1) With the shut-off knob pushed in—to running position—check to see if the air shut-off lever stop assembly is in position (fig. 169). The ball in the stop assembly should be centered in the hole in the shut-off lever as shown. If not, the shut-off knob is probably hitting the dash. To adjust, remove pin “A” and move shut-off lever until the ball is centered in the front hole in the shut-off lever. Now adjust linkage at “B” until the rod can be reconnected at “A.”

(2) With the linkage set in running position, check to see if the governor shut-off lever pin contacts the rear of the slot in the fuel shut-off lever stop. If not, loosen the clamp screw on the governor fuel shut-off lever and position the lever pin until it contacts the rear end of the slot; then tighten the clamp screw.



ENGINE CONTROLS



RA PD 40848

Figure 169 — Fuel Shut-Off and Air Valve Adjustments

**ORDNANCE MAINTENANCE—MEDIUM TRACTOR M1  
(ALLIS-CHALMERS HD-7W) ENGINE ACCESSORIES**

**CHAPTER 10**

**HEATERS, ENGINE, AND AIR**

**Section I**

**AIR HEATER**

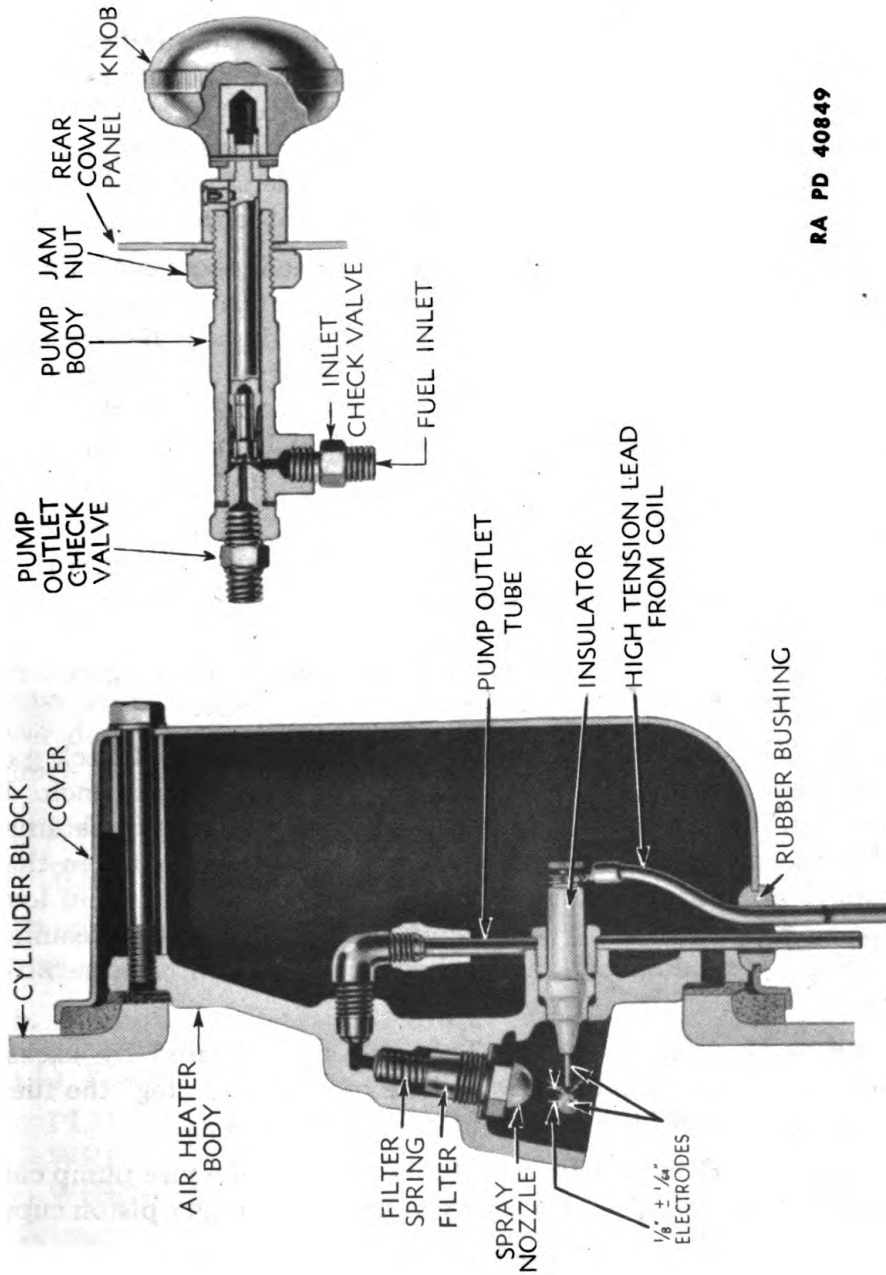
	<b>Paragraph</b>
Description .....	191
Trouble shooting .....	192
Removal .....	193
Disassembly .....	194
Inspection of parts.....	195
Assembly .....	196
Installation .....	197

**191. DESCRIPTION.**

a. The engine air heater is essentially a small pressure oil burner with electric ignition. The burner proper is mounted in the engine air box. It obtains the necessary air for combustion from the charging blower and discharges the flame heated air into the engine cylinders with practically no loss of heat. The device consists of two assemblies. One unit comprises the pressure pump and ignition switch and is mounted on instrument dash in easy reach of the operator. The other unit contains the burner spray nozzle, filter, ignition coil, and ignition points, and is designed to replace one of the handhole cover plates of the engine air box. A check valve is located outside this unit to prevent fuel dribble.

b. The pump is intended to supply fuel under pressure to the burner unit where the charge is filtered before reaching the spray nozzle. The suction side of the pump is connected to the engine supply line between the fuel tank and the fuel pump at the rear of the blower. The switch is connected between the ammeter outlet post and one terminal of the ignition coil on the burner. The other terminal of the coil is grounded inside the burner unit cover. The pump plunger, when not in use, is held in the "IN" position by a spring mechanism which can be released by turning the plunger knob about a quarter turn to the left (counterclockwise). The pump is operated by hand and delivers finely atomized fuel from the nozzle of burner unit. This fuel is ignited by a spark across the burner points when the switch on the dash is pressed into the closed position. Operation of the air heater in conjunction with cold weather starting is described in **TM 9-783B**.

**AIR HEATER**



RA PD 40849

**Figure 170 — Air Heater Assembly**

**ORDNANCE MAINTENANCE—MEDIUM TRACTOR M1  
(ALLIS-CHALMERS HD-7W) ENGINE ACCESSORIES**

**192. TROUBLE SHOOTING.**

**a. Inoperative Burner Unit.** If two or three heater pump strokes, made while cranking the engine with wide-open throttle, fail to produce a fire, it is advisable to stop cranking and check for possible causes of failure. Assuming that the engine is in running order and cranking speed is 80 revolutions per minute, or over, the heater should be investigated for (A) failure of ignition, and (B) poor fuel spray. To make this investigation, the burner element should be removed from its position on the engine air box and reconnected outside of engine in such a position that the burner operation can be easily observed.

**b. Checks for Inoperative Burner Unit.** Reconnect heater unit—*away from engine*. Turn the dash switch on. Coil interrupter should vibrate rapidly and a continuous hot spark should occur between the ignition electrodes. Then turn the dash switch off; a cone-shaped discharge of fuel should be emitted from the spray nozzle when the pump is operated. **NOTE:** These two tests should **NOT** be made at the same time, as the burner throws a considerable flame and will ignite any surrounding combustible material.

(1) **COIL INTERRUPTER DOES NOT VIBRATE WHEN SWITCH IS CLOSED.** Check points for dirt or carbon, and wiring for loose or broken connections. Points may be cleaned with fine sandpaper or a special point file and should be reset after cleaning to give  $\frac{1}{8}$ -inch gap, with the armature or vibrator arm held against the coil body.

(2) **SPARK JUMPS ACROSS PORCELAIN OF ELECTRODE.** Check gap and, if necessary, reset wire electrode to approximately  $\frac{1}{8}$  inch. If gap is correct, then remove porcelain electrode by removing retainer nut and withdrawing electrode assembly. Care should be taken that small copper gasket under the electrode is not dropped out and lost. Porcelain may be cleaned by washing off in **SOLVENT**, dry-cleaning, and scraping or sanding off any carbon accumulation. Reassemble (fig. 170).

(3) **SPRAY NOZZLE PLUGGED.** This will be indicated by excess resistance on pressure pump or by failure of nozzle to “fog” the fuel. Nozzle assembly must be removed to clean (par. 194).

**c. Inoperative Pressure Pump.** Failure of the pressure pump can occur from two causes: (1) check valves and (2) plunger piston cups.

(1) The suction and discharge check valve assemblies are threaded into the pump casting. An arrow indicating the direction of flow is stamped on each valve and the suction check valve ( $\frac{1}{2}$ -lb valve) is marked “ $\frac{1}{2}$ .” The check valves are of the spring-loaded ball type, and the parts cannot be disassembled without being damaged. The valves can be cleaned, if necessary, by forcing **SOLVENT**, dry-cleaning, through them with any suitable pump.

## AIR HEATER

(2) The piston cups or leathers are molded from a special oil resistant composition, and if they should break or become worn, they should be replaced by duplicate parts. When any pump parts need replacing, the pump must be removed from the instrument panel, disassembled and reassembled (pars. 193 and 196).

### 193. REMOVAL.

#### a. Removal of Burner Unit.

##### (1) EQUIPMENT.

WRENCH,  $\frac{3}{8}$ -in.

WRENCH,  $\frac{1}{2}$ -in.

WRENCH, open-end,  $\frac{7}{16}$ -in.

WRENCH, open-end,  $\frac{9}{16}$ -in.

WRENCH, socket,  $\frac{9}{16}$ -in.

##### (2) PROCEDURE.

###### (a) Remove Cover from Unit.

WRENCH,  $\frac{3}{8}$ -in.

WRENCH, open-end,  $\frac{7}{16}$ -in.

WRENCH, open-end,  $\frac{9}{16}$ -in.

Disconnect air heater fuel line at rear of check valve on cover ( $\frac{7}{16}$ - and  $\frac{9}{16}$ -in. wrenches). Remove cap screw from clip holding fuel line to cylinder block end plate ( $\frac{9}{16}$ -in. wrench). Remove the two cap screws attaching cover to cylinder block ( $\frac{1}{2}$ -in. wrench) and slide cover down on lead until lead can be disconnected from coil ( $\frac{3}{8}$ -in. wrench). Then lower cover further on lead out of way.

###### (b) Remove Burner Unit.

WRENCH, socket,  $\frac{9}{16}$ -in.

Remove cap screw in center of unit and pull unit out away from engine.

#### b. Removal of Pressure Pump.

##### (1) EQUIPMENT.

PLIERS, two pairs

WRENCH, open-end,  $\frac{7}{16}$ -in.

WRENCH, open-end,  $\frac{9}{16}$ -in.

WRENCH, open-end,  $\frac{5}{8}$ -in.

WRENCH, open-end,  $\frac{7}{8}$ -in.

##### (2) PROCEDURE (figs. 170 and 173).

###### (a) Disconnect Fuel Lines.

WRENCH, open-end,  $\frac{7}{16}$ -in.

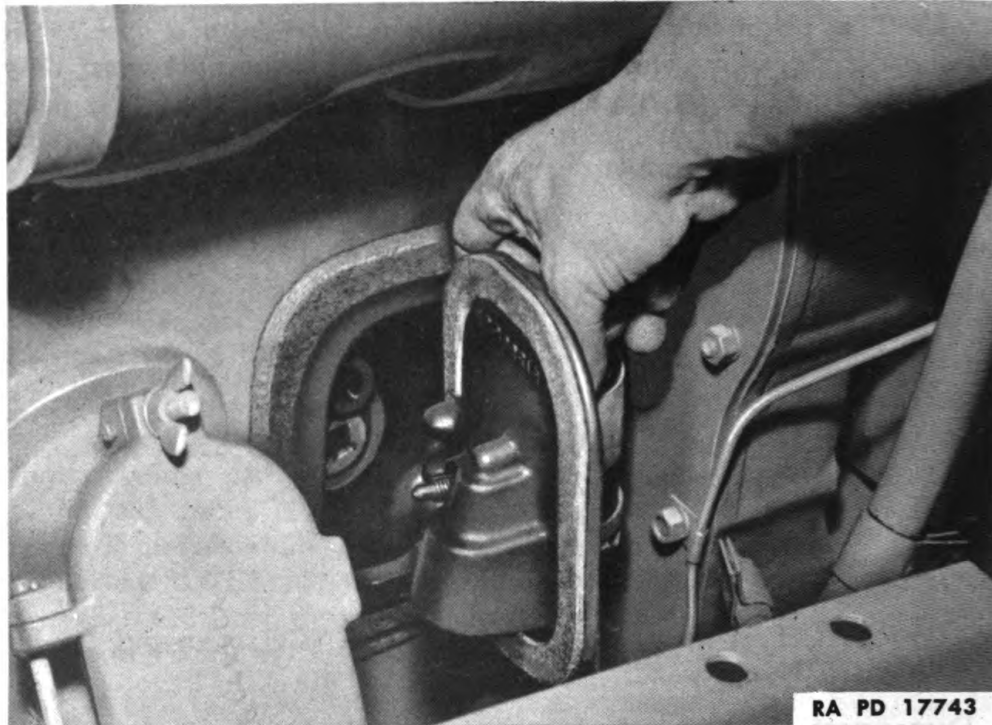
WRENCH, open-end,  $\frac{9}{16}$ -in.

WRENCH, open-end,  $\frac{5}{8}$ -in.

WRENCH, open-end,  $\frac{7}{8}$ -in.

Close fuel shut-off valve at supply tank. Disconnect both inlet and outlet fuel lines from pump ( $\frac{5}{8}$ -,  $\frac{7}{8}$ -,  $\frac{7}{16}$ -, and  $\frac{9}{16}$ -in. wrenches).

**ORDNANCE MAINTENANCE—MEDIUM TRACTOR M1  
(ALLIS-CHALMERS HD-7W) ENGINE ACCESSORIES**



**Figure 171 – Removing Air Heater Burner Unit**

*(b) Remove Pump Assembly from Dash.*

**PLIERS**, two pairs

Hold pump body to keep it from turning with one pair of pliers, unscrew the nut under knob from pump body with the other pair, and pull pump plunger assembly out of pump body. Pump body can now be removed from back of dash.

**194. DISASSEMBLY.**

**a. Disassembly of Burner Unit.**

**(1) EQUIPMENT.**

**PLIERS**

**SCREWDRIVER**, 6-in.

**WRENCH**, 1/2-in.

**WRENCH**, open-end, 7/16-in.

**WRENCH**, open-end, 5/8-in.

**WRENCH**, socket, 5/8-in.

**(2) PROCEDURE (fig. 172).**

*(a) Remove Coil from Unit.*

**SCREWDRIVER**, 6-in.

**WRENCH**, open-end, 7/16-in.

Remove cap screw from clip holding fuel line to body of burner (7/16-in. wrench). Remove fuel line from elbow (7/16-in. wrench). Dis-

## AIR HEATER

connect high tension lead from electrode. Then remove the two screws attaching coil to body of unit (screwdriver) and lift off coil.

*(b) Remove Insulator and Electrode Assembly.*

PLIERS

WRENCH, open-end,  $\frac{5}{8}$ -in.

Remove insulator retainer nut ( $\frac{5}{8}$ -in. wrench) and pull insulator and electrode assembly from body, taking care not to lose copper gasket under electrode. Unscrew fuel line elbow and remove (pliers)

*(c) Remove Nozzle Assembly.*

SCREWDRIVER, 6-in.

WRENCH, socket,  $\frac{5}{8}$ -in.

WRENCH,  $\frac{1}{2}$ -in.

Remove cap screw, with wire electrode on tip, from inside of body ( $\frac{1}{2}$ -in. wrench). Then remove burner nozzle ( $\frac{5}{8}$ -in. wrench) and remove swirl pin from nozzle (screwdriver). Jar filter and spring from recess in body.

### **b. Disassembly of Pressure Pump.**

**(1) EQUIPMENT.**

PLIERS

WRENCH,  $\frac{9}{16}$ -in.

SCREWDRIVER, 6-in.

WRENCH, open-end,  $\frac{1}{2}$ -in.

WRENCH,  $\frac{7}{16}$ -in.

**(2) PROCEDURE (fig. 173).**

*(a) Disassemble Plunger Assembly.*

PLIERS

WRENCH, open-end,  $\frac{1}{2}$ -in.

SCREWDRIVER, 6-in.

Remove retaining screw (screwdriver) and "leathers" from end of plunger assembly. Remove "leathers" and separator from retaining screw. NOTE: If any defect is apparent in the nut or lock pin, this assembly can be removed as follows: Unscrew knob from plunger assembly (pliers). Remove pin from adapter and unscrew adapter from plunger (pliers and  $\frac{1}{2}$ -in. wrench). Slide nut off end of plunger, tap nut to dislodge lock pin and lock spring (which come out inside of nut without disturbing plug).

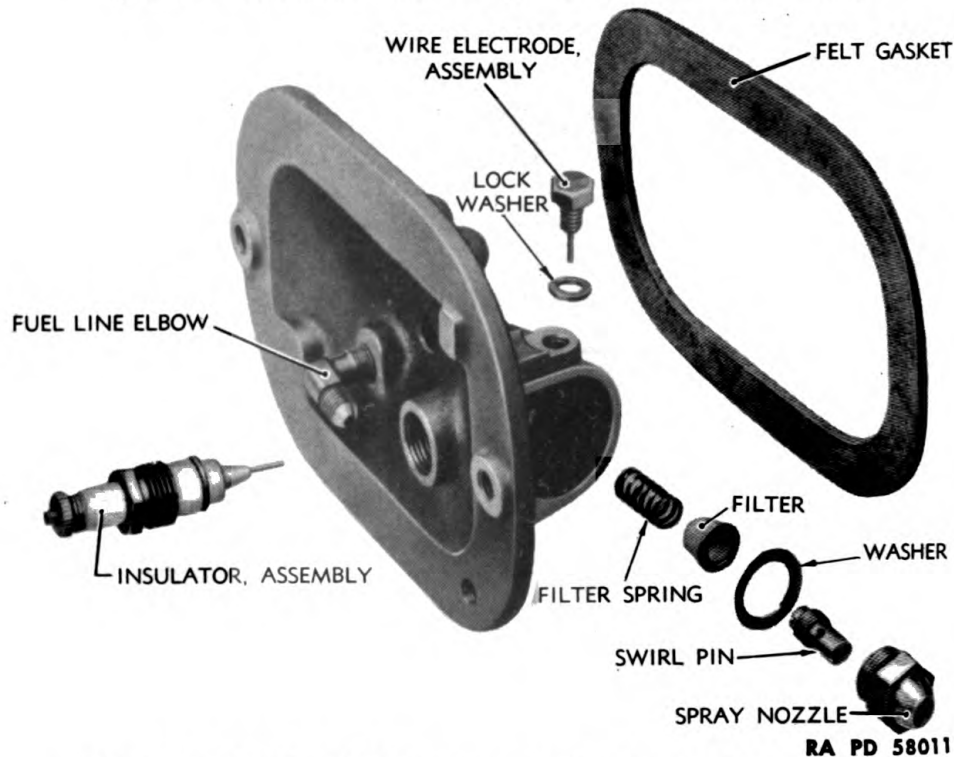
*(b) Disassemble Pump Body.*

WRENCH,  $\frac{7}{16}$ -in.

WRENCH,  $\frac{9}{16}$ -in.

Clamp body between soft jaws in vise and remove inlet and outlet check valve assemblies ( $\frac{7}{16}$ - and  $\frac{9}{16}$ -in. wrenches). Remove outlet check valve adapter and washer from pump body ( $\frac{9}{16}$ -in. wrench).

**ORDNANCE MAINTENANCE—MEDIUM TRACTOR M1  
(ALLIS-CHALMERS HD-7W) ENGINE ACCESSORIES**



**Figure 172 — Exploded View of Air Heater Burner Unit**

**195. INSPECTION OF PARTS.**

a. **Burner Unit.** Wash all parts, clean, and dry with compressed air, if possible. **CAUTION:** Do not use steel wire or drill to clean nozzle. The size and shape of the grooves and orifices are very important, and any damage will render nozzle useless. Inspect all parts, replacing those unfit for further use. Clean all fuel passages. Clean and adjust points (par. 192 b).

b. **Pressure Pump.** Thoroughly clean parts of pump in Diesel fuel, checking to see that all fuel passages are open. Examine "leathers" carefully for breaks, cracks, or evidence of wear. If any of these conditions exist, replace "leathers".

**196. ASSEMBLY.**

a. **Assembly of Burner Unit.**

(1) **EQUIPMENT.**

PLIERS  
SCREWDRIVER, 6-in.  
WRENCH, 1/2-in.

WRENCH, open-end, 7/16-in.  
WRENCH, open-end, 5/8-in.  
WRENCH, socket, 5/8-in.



**AIR HEATER****(2) PROCEDURE (par. 6 a).****(a) Assemble Spray Nozzle Assembly.**

SCREWDRIVER, 6-in.  
WRENCH, 1/2-in.

WRENCH, socket, 5/8-in.

Screw swirl pin into nozzle (screwdriver). Insert spring and filter in recess of body, with washer end of filter out. Position washer against shoulder of nozzle, and screw nozzle assembly into body (5/8-in. wrench). Install cap screw with wire electrode into side of heater body below nozzle (1/2-in. wrench).

**(b) Install Insulator and Electrode Assembly.**

PLIERS

WRENCH, open-end, 5/8-in.

Attach fuel line elbow (large end) to heater body. Tighten elbow until small end points down (pliers) in position to connect fuel line. Install insulator gasket on lower shoulder of electrode, and assemble electrode into body, tightening retainer nut firmly (5/8-in. wrench). Set electrode gap at 1/8 inch.

**(c) Install Coil and Fuel Line.**

SCREWDRIVER, 6-in.

WRENCH, open-end, 7/16-in.

Attach coil to heater body with two 1/4- x 5/8-inch screws (screwdriver). Connect high tension wire to electrode. Connect fuel line to elbow and install 1/4- x 5/16-inch cap screw in clip to hold fuel line to heater body (7/16-in. wrench).

**b. Assembly of Pressure Pump.****(1) EQUIPMENT.**

PLIERS  
PLIERS, small-nosé  
SCREWDRIVER, 6-in.  
SCREWDRIVER, small

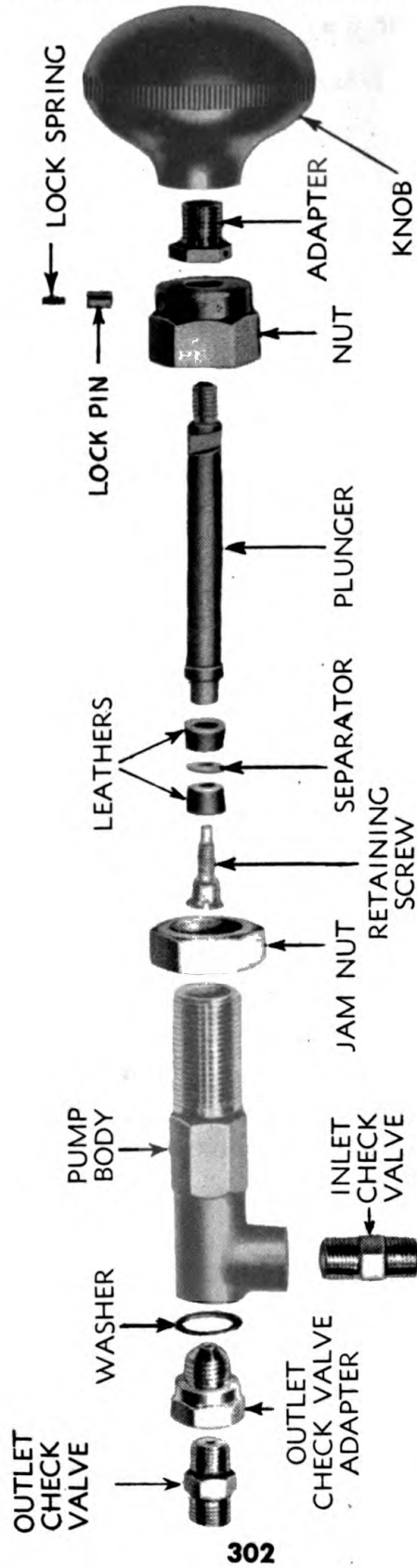
WRENCH, 7/16-in.  
WRENCH, 1/2-in.  
WRENCH, 9/16-in.

**(2) PROCEDURE (fig. 173).****(a) Install "Leathers".**

SCREWDRIVER, 6-in.

Slip one "leather", large end first, over retaining screw. Slip separator over screw next to "leather". Slide other "leather", small end first, over screw and up against separator. Screw retaining screw, with "leathers" and separator attached, into end of plunger.

ORDNANCE MAINTENANCE — MEDIUM TRACTOR M1  
(ALLIS-CHALMERS HD-7W) ENGINE ACCESSORIES



RA PD 4085T

Figure 173 — Exploded View of Pressure Pump Assembly



**ORDNANCE MAINTENANCE — MEDIUM TRACTOR M1  
(ALLIS-CHALMERS HD-7W) ENGINE ACCESSORIES**

*(b) Connect Fuel Lines.*

WRENCH, open-end,  $\frac{7}{16}$ -in.

WRENCH, open-end,  $\frac{5}{8}$ -in.

WRENCH, open-end,  $\frac{9}{16}$ -in.

WRENCH, open-end,  $\frac{7}{8}$ -in.

Connect intake fuel line to side fitting on pump body, using the two larger wrenches, and use the smaller wrenches to connect the discharge fuel line to fitting in end of pump body.

**b. Installation of Burner Unit.**

**(1) EQUIPMENT.**

WRENCH,  $\frac{1}{2}$ -in.

WRENCH, open-end,  $\frac{9}{16}$ -in.

WRENCH, open-end,  $\frac{7}{16}$ -in.

WRENCH, socket,  $\frac{9}{16}$ -in.

**(2) PROCEDURE.**

*(a) Install Heater Body to Cylinder Block.*

WRENCH, socket,  $\frac{9}{16}$ -in.

Clean old gaskets from cylinder block and install new ones. Set heater body in proper hole in block and secure with special cap screw with gasket in center.

*(b) Connect Leads and Fuel Lines.*

WRENCH,  $\frac{1}{2}$ -in.

WRENCH, open-end,  $\frac{9}{16}$ -in.

WRENCH, open-end,  $\frac{7}{16}$ -in.

Connect lead in cover to coil. Then install cover on air heater with two  $\frac{5}{16}$ -x  $2\frac{7}{8}$ -inch cap screws ( $\frac{1}{2}$ -in. wrench). Insert lower cover cap screw through clip on check valve and then through cover. Connect fuel line to rear of check valve ( $\frac{7}{16}$ - and  $\frac{9}{16}$ -in. wrenches). Install cap screw in through clip on fuel line and into cylinder block end plate ( $\frac{9}{16}$ -in. wrench).

## CHAPTER 10 HEATERS, ENGINE, AND AIR

### Section II ENGINE PREHEATER

	Paragraph
Description .....	198
Inspection of parts.....	199
Disassembly .....	200
Assembly .....	201

#### 198. DESCRIPTION.

a. The engine preheater, carried in a box on tractor fender, is a pressure burner unit designed to heat the engine previous to starting in extremely cold weather with temperatures below those in which starting the engine is possible with the air of only the air heater. An inlet elbow with hinged cover is provided on the engine in place of one of the air box handhole covers. The cover can be opened and preheater spout inserted in upper opening. The lower opening in elbow allows for circulation of air and burned gases while heater is in operation. The flame delivered by the heater will raise the temperature of the cylinder block and heat the cylinder walls, where engine oil has congealed causing resistance and hard cranking of the engine. After heater has been in operation for a specified time (see TM 9-783B for operation of heater), the heater may be withdrawn, inlet elbow cover closed, and engine started in regular manner with air of air heater.

b. The heater fuel tank, blower housing, and burner housing are all one casting. Blower fan is mounted in top, air pressure pump in rear, and air pressure gage on side. A hinged cover over the fan inlet regulates amount of air supplied for burning of fuel. The fuel filter and nozzle are located in a separate chamber and connected to fuel compartment by drilled passage in casting. A lead from blower or fan motor has a plug on end which is inserted in a socket provided in tractor cowl when preheater is to be used. The air pressure pump is hand-operated to produce pressure for operation.

#### 199. INSPECTION OF PARTS.

a. The fuel is forced by air pressure through the valve, filter, and spray nozzle. Provided there is an ample supply of fuel in fuel supply chamber and air pressure has been raised to proper operating pressure (120 lb), failure of the unit to operate will likely be found due to clogged valve, filter, or spray nozzle. In that event, these must be removed to clean or replace.

**ORDNANCE MAINTENANCE—MEDIUM TRACTOR M1  
(ALLIS-CHALMERS HD-7W) ENGINE ACCESSORIES**

b. **Spray Nozzle.** Do not clean nozzle with drill bit or steel wire, as this will damage nozzle and render it useless. With spray nozzle removed, check to determine if filter is clogged by pumping air pressure up to 120 pounds and open fuel valve. If a good flow of fuel is evident, the filter is free of obstruction. If fuel filter is clogged, replace. If unit is disassembled, clean all fuel passages and blow out with compressed air.

c. **Air Pump.** Air pump failure may be due to dry, cracked, or worn leather. Leather may be softened, if dry, by soaking in warm oil. Replace leather if cracked or damaged.

d. **Blower.** Fan should start running as soon as plug on lead is inserted in socket in dash. If it does not, examine wires and connections before replacing motor.

**200. DISASSEMBLY.**

a. **Equipment.**

PLIERS	WRENCH, 1-in.
SCREWDRIVER, cross-recess	WRENCH, open-end, $\frac{9}{16}$ -in.
SCREWDRIVER, 6-in.	WRENCH, pipe, 10-in.
WRENCH, $\frac{7}{16}$ -in.	WRENCH, socket, $\frac{3}{4}$ -in.
WRENCH, $\frac{5}{8}$ -in.	

b. **Procedure (fig. 174).**

(1) **DISASSEMBLE INTO SUBASSEMBLIES.**

PLIERS	WRENCH, $\frac{7}{16}$ -in.
SCREWDRIVER, 6-in.	

Remove two cap screws attaching fan motor to housing ( $\frac{7}{16}$ -in. wrench). Pull motor and fan from housing. Remove air pressure gage by removing the eight attaching screws (screwdriver). Remove six cap screws from air pump tube nut at rear of housing ( $\frac{7}{16}$ -in. wrench) and jar pump assembly out of housing. Pull cotter pin, remove hinge pin (pliers), and lift tube (QQ) from front of housing.

(2) **REMOVE SPRAY NOZZLE AND VALVE ASSEMBLY.**

WRENCH, $\frac{5}{8}$ -in.	WRENCH, socket, $\frac{3}{4}$ -in.
WRENCH, 1-in.	

Remove nozzle from center of spout opening ( $\frac{5}{8}$ -in. wrench). Remove filter plug at bottom of housing (1-in. wrench) and jar filter from housing. Remove nut inside filter compartment ( $\frac{3}{4}$ -in. wrench) and lift valve assembly out of housing. Packing can be removed from needle valve if necessary at this time.

## ENGINE PREHEATER

### (3) REMOVE AIR DEFLECTOR BLADE.

SCREWDRIVER, cross-recess

Remove two cross-recessed screws and remove air deflector blade.

### (4) DISASSEMBLE PUMP.

WRENCH,  $\frac{5}{8}$ -in.

WRENCH, pipe, 10-in.

WRENCH, open-end,  
 $\frac{9}{16}$ -in.

Loosen lock nut under knob ( $\frac{9}{16}$ -in. wrench) and remove knob and lock nut from pump shaft. Unscrew tube (MN) from air pump tube nut (10-in. pipe wrench), and separate plunger shaft and tube. Unscrew check valve from end of tube ( $\frac{5}{8}$ -in. wrench).

## 201. ASSEMBLY.

### a. Equipment.

PLIERS

SCREWDRIVER,  
cross-recess

SCREWDRIVER, 6-in.

WRENCH,  $\frac{7}{16}$ -in.

WRENCH,  $\frac{1}{2}$ -in.

WRENCH,  $\frac{5}{8}$ -in.

WRENCH,  $\frac{3}{4}$ -in.

WRENCH, 1-in.

WRENCH, open-end,

$\frac{9}{16}$ -in.

WRENCH, pipe, 10-in.

b. Procedure (par. 6 a). (Refer to fig. 174 for relative location of parts).

### (1) ASSEMBLE AIR PUMP.

WRENCH,  $\frac{1}{2}$ -in.

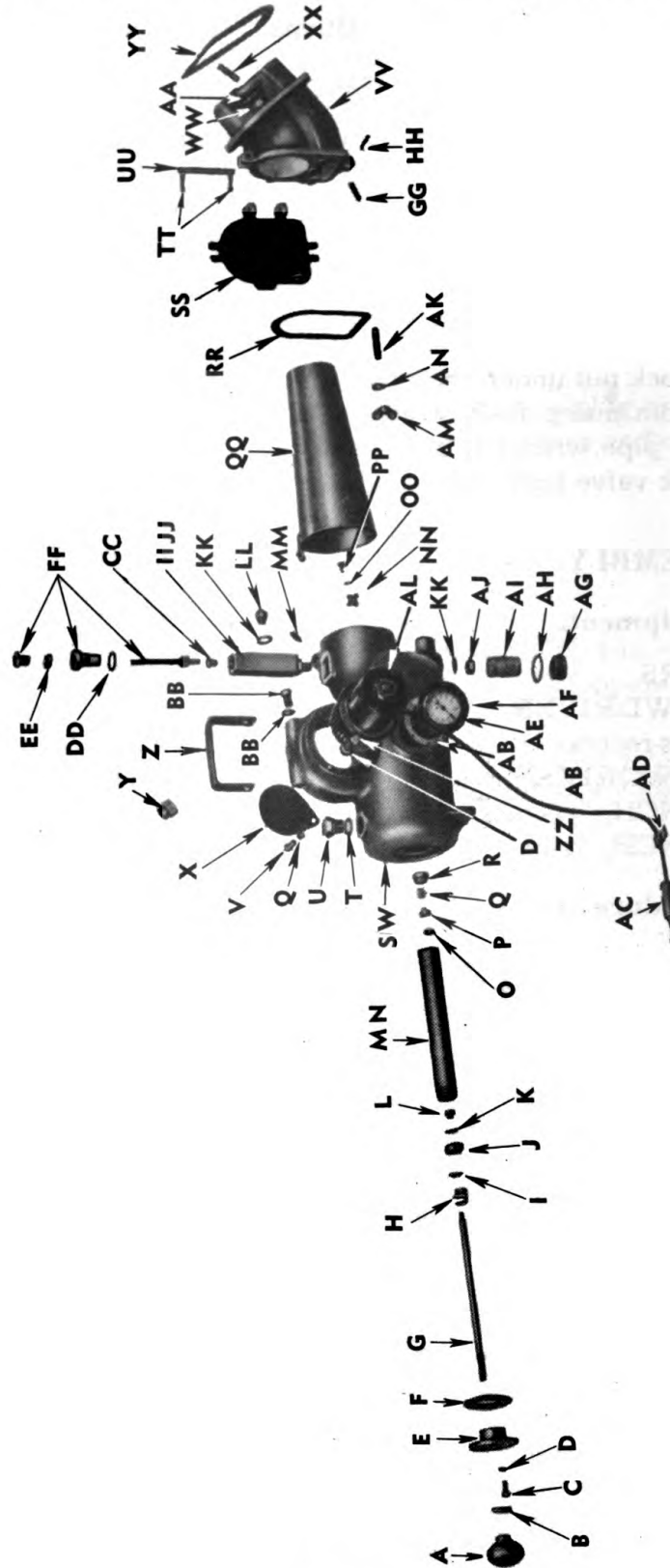
WRENCH, pipe, 10-in.

WRENCH,  $\frac{5}{8}$ -in.

WRENCH, open-end,  
 $\frac{9}{16}$ -in.

Place spring in valve nut, set valve washer on spring and valve gasket on washer. Hold pump tube up and screw valve nut into end of tube ( $\frac{5}{8}$ -in. wrench). Place pump shaft in vise (larger end up) and drop tube nut over shaft. Screw lock nut on shaft as far as possible, then screw knob onto shaft and tighten. Screw lock nut tightly against knob ( $\frac{9}{16}$ -in. wrench). Turn shaft other end up in vise and install in following order on end of shaft: spring, large washer, cup leather (lips of cup up), small washer, and nut, and tighten ( $\frac{1}{2}$ -in. wrench). Soften leather with oil and insert shaft assembly into pump tube, taking care not to damage leather. Clamp tube nut in vise and screw tube into nut (10-in. pipe wrench).

**ORDNANCE MAINTENANCE—MEDIUM TRACTOR M1  
(ALLIS-CHALMERS HD-7W) ENGINE ACCESSORIES**



RA PD 17420

**Figure 174 — Exploded View of Engine Preheater Assembly**



### ENGINE PREHEATER

- |    |   |                 |    |   |               |
|----|---|-----------------|----|---|---------------|
| A  | — | KNOB            | RR | — | GASKET        |
| B  | — | NUT             | SS | — | COVER         |
| C  | — | SCREW           | TT | — | PIN, COTTER   |
| D  | — | WASHER, LOCK    | UU | — | PIN           |
| E  | — | NUT             | VV | — | ELBOW         |
| F  | — | GASKET          | WW | — | NUT           |
| G  | — | SHAFT           | XX | — | STUD          |
| H  | — | SPRING          | YY | — | GASKET        |
| I  | — | WASHER          | ZZ | — | SCREW, CAP    |
| J  | — | CUP             | AB | — | GASKET        |
| K  | — | WASHER, SMALL   | AC | — | PLUG          |
| L  | — | NUT             | AD | — | CLIP          |
| M  | — | PUMP ASSEMBLY   | AE | — | GAGE          |
| N  | — | TUBE            | AF | — | SCREW         |
| O  | — | GASKET          | AG | — | PLUG          |
| P  | — | VALVE           | AH | — | GASKET        |
| Q  | — | SPRING          | AI | — | FILTER        |
| R  | — | NUT             | AJ | — | NUT           |
| S  | — | CASE            | AK | — | STUD          |
| T  | — | GASKET          | AL | — | MOTOR AND FAN |
| U  | — | PLUG            | AM | — | NUT, WING     |
| V  | — | SCREW           | AN | — | WASHER        |
| W  | — | HEATER ASSEMBLY |    |   |               |
| X  | — | PLATE           |    |   |               |
| Y  | — | PLUG            |    |   |               |
| Z  | — | HANDLE          |    |   |               |
| AA | — | WASHER, LOCK    |    |   |               |
| BB | — | SCREW, CAP      |    |   |               |
| CC | — | VALVE AND SEAT  |    |   |               |
| DD | — | GASKET          |    |   |               |
| EE | — | PACKING         |    |   |               |
| FF | — | STEM ASSEMBLY   |    |   |               |
| GG | — | PIN, COTTER     |    |   |               |
| HH | — | PIN             |    |   |               |
| II | — | BODY            |    |   |               |
| JJ | — | VALVE ASSEMBLY  |    |   |               |
| KK | — | GASKET          |    |   |               |
| LL | — | NOZZLE          |    |   |               |
| MM | — | PIN             |    |   |               |
| NN | — | BLADE           |    |   |               |
| OO | — | WASHER, LOCK    |    |   |               |
| PP | — | SCREW           |    |   |               |
| QQ | — | TUBE            |    |   |               |

RA PD 17420B

Legend for Figure 174 -- Engine Preheater Assembly

**TM 9-1783B**

201

**ORDNANCE MAINTENANCE—MEDIUM TRACTOR M1  
(ALLIS-CHALMERS HD-7W) ENGINE ACCESSORIES****(2) INSTALL PUMP ASSEMBLY.****WRENCH,  $\frac{7}{16}$ -in.**

Coat inside surface of pump tube nut with COMPOUND, joint and thread. Lay new gasket on this surface and coat other side of gasket with CEMENT, gasket. Then insert pump tube into housing and secure tube nut to housing with six  $\frac{1}{4}$ - x  $\frac{5}{8}$ -inch cap screws ( $\frac{7}{16}$ -in. wrench).

**(3) INSTALL AIR DEFLECTOR BLADE.****SCREWDRIVER, cross-recess**

Install air deflector blade in center of spout opening with two cross-recessed screws.

**(4) INSTALL NEEDLE VALVE ASSEMBLY.****PLIERS****WRENCH,  $\frac{3}{4}$ -in.**

Install packing nut and packing on needle valve. Screw needle valve into needle valve body; then tighten packing nut (pliers). Insert needle valve assembly into heater body from top (with hole for spray nozzle towards front of heater), using new gasket at shoulder on lower end of valve body. Insert nut into opening for fuel filter and screw nut onto lower end of valve body tightly ( $\frac{3}{4}$ -in. wrench).

**(5) INSTALL SPRAY NOZZLE AND FUEL FILTER.****WRENCH,  $\frac{5}{8}$ -in.****WRENCH, 1-in.**

Screw spray nozzle into needle valve body ( $\frac{5}{8}$ -in. wrench) using new gasket. Install fuel filter in lower opening of housing under needle valve. Install filter plug (1-in. wrench) using new gasket.

**(6) INSTALL TUBE (QQ).****PLIERS**

Set tube on front end of heater body and install pin through hinge joints, securing with cotter pin.

**(7) INSTALL FAN AND MOTOR.****WRENCH,  $\frac{7}{16}$ -in.**

Install fan and motor in top of heater body with two  $\frac{1}{4}$ - x  $\frac{3}{8}$ -inch cap screws.

## ENGINE PREHEATER

### (8) INSTALL AIR PRESSURE GAGE.

SCREWDRIVER, 6-in.

Install pressure gage, using new gasket cemented on both sides, in heater body with eight No. 6-32 screws, no washers.

### (9) TEST HEATER.

Fill heater  $\frac{1}{2}$  to  $\frac{2}{3}$  full with Diesel fuel and pump pressure up to 120 pounds. Light burner and let burn a short while. Then close spout over end of heater, plug wire into socket on cowl of tractor and test for operation.

**ORDNANCE MAINTENANCE—MEDIUM TRACTOR M1  
(ALLIS-CHALMERS HD-7W) ENGINE ACCESSORIES**

**CHAPTER 11**

**REFERENCES**

	<b>Paragraph</b>
Standard nomenclature lists.....	202
Explanatory publications .....	203

**202. STANDARD NOMENCLATURE LISTS.**

a. Cleaning, preserving, and lubricating materials; recoil fluids, special oils, and miscellaneous related items.....SNL K-1

b. Tractor, Medium, M1 (Allis-Chalmers HD-7W).....SNL G-125

Current Standard Nomenclature Lists are as tabulated here. An up-to-date list of SNL's is maintained as the "Ordnance Publication for Supply Index".....OPSI

**203. EXPLANATORY PUBLICATIONS.**

**a. Automotive Materiel.**

Military motor vehicles.....AR 850-15

Motor transport .....

Tractor, medium, M1 (Allis-Chalmers HD-7W) Diesel Engine .....

Tractor, medium, M1 (Allis-Chalmers HD-7W) equipment .....

Tractor, medium, M1 (Allis-Chalmers HD-7W) Gar Wood, winch .....

Tractor, medium, M1 (Allis-Chalmers HD-7W) power train, frame assembly, and seats.....

b. Cleaning, preserving, lubricating, and welding materials and similar items issued by the Ordnance Department .....

**c. Diesels.**

Diesel engines .....

Diesel engines and fuels.....

Diesel engines and fuels.....

Engine of the Diesel tractor.....

Power train of the Diesel tractor.....

**REFERENCES**

- The electric system of the Diesel tractor.....TF 9-169  
The fuel system of the Diesel tractor.....TF 9-170  
The track and suspension system of the Diesel tractor....TF 9-173

**d. Inspection and Maintenance.**

- Echelon system of maintenance.....TM 10-525  
First echelon of maintenance.....FS 10-53  
Fire prevention, safety precautions, accidents.....TM 10-360  
Inspection of motor vehicles.....FS 10-58  
Motor transport inspections.....TM 10-545  
Second echelon of maintenance.....FS 10-54  
The motor vehicle driver, first echelon maintenance.....TF 11-558

**e. Miscellaneous.**

- Automotive electricity .....TM 10-580  
Electrical fundamentals .....TM 1-455  
List of publications for training.....FM 21-6  
Lubrication .....FS 10-39  
The internal combustion engine.....TM 10-570

**f. Shipment and Storage.**

- Loading of mechanized and motorized army equipment  
on open top railroad equipment....Association of American Railroads  
Storage of motor vehicle equipment.....AR 850-18

**ORDNANCE MAINTENANCE—MEDIUM TRACTOR M1  
(ALLIS-CHALMERS HD-7W) ENGINE ACCESSORIES**

**INDEX**

<b>A</b>	<b>Page No.</b>		<b>Page No.</b>
Adjustments:		Air system (See Fuel and air system)	
electrical system		Air valve assembly, removal..	131-132
generator .....	189-190	Armature	
generator belt .....	192	description .....	172, 215
generator regulator .....	202-207	inspection and repair.....	228-229
fan belt .....	147-149	Assembly:	
governor controls .....	286-288	air heater .....	300-303
master clutch .....	26-28	cooling system	
valve clearance .....	59	fan assembly .....	152-154
Air box drain tube, operational inspection .....	33	radiator .....	166
Air box heater assembly, maintenance duties by echelons.....	8, 10	water pump .....	142-144
Air cleaner (oil bath)		electrical system	
air inlet elbow.....	130-134	generator	
cleaning .....	128	commutator end frame assembly .....	187
description .....	127	drive end frame assembly..	187
installation .....	128-130	field frame assembly.....	186
preventive maintenance .....	127-128	generator regulator .....	201-202
removal from tractor.....	128	engine preheater .....	307-311
Air deflector blade		exhaust manifold and muffler....	266
installation .....	310	fuel and air system	
removal .....	307	air inlet elbow.....	132-133
Air heater		blower .....	104-118
assembly .....	300-303	first stage fuel filter assembly	79
description .....	294	fuel injectors .....	50-56
disassembly .....	298-299	fuel pump .....	72-75
inspection of parts.....	300	second stage fuel filter assembly .....	83
installation .....	303-304	governor .....	279-284
removal .....	297-298	master clutch .....	23-26
trouble shooting .....	296-297	oil pump .....	249-250
Air inlet elbow			
assembly .....	132-133	<b>B</b>	
description .....	130	Ball bearings	
disassembly .....	131-132	cleaning .....	279
installation .....	133-134	inspection .....	102-103
removal .....	130	lubrication .....	279
Air inlet housing		Battery	
installation .....	122	inspection .....	218
removal .....	94	maintenance duties by echelons	6
Air precleaner		Bearing oil seals, removal from	
description .....	125	blower end plates.....	99-101
installation .....	126	Bearing release sleeve assembly,	
maintenance .....	125-126	removal .....	17
removal from tractor.....	125	Bearing release yoke, removal.....	17
Air pressure gage, installation.....	311		
Air pump, inspection.....	306		



**ORDNANCE MAINTENANCE—MEDIUM TRACTOR M1  
(ALLIS-CHALMERS HD-7W) ENGINE ACCESSORIES**

D—Cont'd	Page No.		Page No.
Description:—Cont'd		blower .....	95-101
fuel and air system—Cont'd		first stage fuel filter assembly	79
fuel injectors		fuel injector .....	42-47
construction and operation .....	35-39	fuel pump .....	70-72
mounting .....	35	second stage fuel filter assembly .....	81-83
servicing .....	39-40	governor .....	273-278
fuel pump .....	66	master clutch .....	17
second stage fuel filter assembly .....	80	Drive coupling cam and springs, removal .....	102
third stage fuel filter assembly .....	83	Drive coupling fork, installation on fuel pumps .....	75
lubrication system		Drive cover packing and gasket, installation .....	120
exhaust manifold and muffler..	262	Drive end frame assembly	
lubricating oil cooler.....	257	assembly .....	187
lubricating oil filter.....	253	description .....	172
oil pump .....	244	disassembly .....	179-181
master clutch .....	13	Drive end housing assembly, description .....	215
Differential lever, installation.....	281	Drive gear and coupling retainer, installation .....	119-120
Disassembly:		Drive shaft bearings, maintenance duties by echelons.....	12
air heater .....	298-299	Dyer drive	
cooling system		adjustment .....	234-236
fan assembly .....	149-151	assembly .....	232
radiator .....	163-164	description .....	210-212
water pump .....	140-141	disassembly .....	226
electrical system		inspection and repair of parts....	230
generator			
commutator end frame assembly .....	181	<b>E</b>	
drive end frame assembly .....	179-181	Electrical system	
field frame assembly.....	183	generator .....	169-192
inspection before .....	176-177	generator regulator .....	193-207
into main subassemblies .....	177-179	maintenance duties by echelons	6-7
generator regulator .....	199-201	starting motor .....	208-238
starting motor		End frame assembly (See Commutator end frame assembly and Drive end frame assembly)	
commutator end frame assembly .....	223-225	End plates, inspection.....	103
drive end frame assembly .....	225-226	Engine controls .....	292
Dyer drive assembly.....	226	purpose of .....	268
field frame assembly.....	225	Engine preheater	
into main subassemblies .....	222-223	assembly .....	307-311
starting motor switch..	226-228	description .....	305
engine preheater .....	306-307	disassembly .....	306-307
exhaust manifold and muffler....	264	inspection of parts.....	305-306
fuel and air system		maintenance duties by echelons	12
air inlet elbow.....	131-132		





**TM 9-1783B**

**ORDNANCE MAINTENANCE—MEDIUM TRACTOR M1  
(ALLIS-CHALMERS HD-7W) ENGINE ACCESSORIES**

<b>G</b>		<b>Page No.</b>	<b>Page No.</b>
Gear drive hub, removal.....	96	purpose of engine controls.....	268
Gear train and main frame assembly, maintenance duties by echelons .....	10-11	removal .....	272-273
Generator		special tools .....	289
adjustment of generator belt.....	192	trouble shooting of controls	271-272
assembly .....	188-189	Governor and controls	
commutator end frame assembly .....	187	engine controls .....	292
drive end frame assembly.....	187	governor .....	268-289
field frame assembly.....	186	Governor breather tube	
data .....	173	installation .....	145
description .....	169-172	removal .....	139, 272
disassembly		Governor control housing	
commutator end frame assembly .....	181	installation .....	123, 284
drive end frame assembly	179-181	removal .....	92-93
field frame assembly.....	183	Governor control link, removal.....	93
inspection before .....	176-177	Governor weight housing assembly	
into subassemblies .....	177-179	assembly .....	282-283
inspection and repair.....	183-186	disassembly .....	276-278
installation		installation .....	118, 284
generator belt .....	191-192	removal .....	273
generator on engine.....	190-191	<b>I</b>	
maintenance .....	173-174	Idling speed adjustment.....	288-289
removal from engine.....	175	Injector assembly, maintenance	
removal of generator belt.....	191	duties by echelons.....	8
special tools .....	192	Injector bushing, cleaning.....	47-48
test and adjustment.....	189-190	Injector followers, lubrication.....	239
trouble shooting .....	174-175	Inspection (See also Inspection and repair)	
Generator regulator		before disassembly of	
adjustment .....	202-207	generator .....	176-177
assembly .....	201-202	blower assembly .....	91-92
data .....	196	fan and belt parts.....	151
description .....	193-196	governor parts .....	278-279
disassembly .....	199-201	oil pump parts.....	248-249
inspection and repair.....	201	starting motor .....	218-219
installation on generator.....	207	Inspection and repair	
maintenance .....	197	fuel injectors .....	47-50
removal from generator.....	199	fuel pump .....	72
special tools .....	207	generator .....	183-186
trouble shooting .....	197-198	generator regulator .....	201
Governor		master clutch .....	20-22
assembly .....	279-284	starting motor .....	228-230
description .....	268-271	water pump .....	142
disassembly .....	273-278	Instruments and gages, maintenance duties by echelons.....	11
inspection of parts.....	278-279		
installation and adjustment	284-289		
maintenance duties by echelons	7-8		

INDEX

<b>L</b>	<b>Page No.</b>	<b>Page No.</b>
Lubricating oil cooler		
description .....	257	installation .....
installation .....	260-261	removal .....
maintenance .....	260	trouble shooting .....
removal .....	257-258	Motor (See Starting motor)
trouble shooting .....	257	Mounting fuel injectors.....
Lubricating oil filter		35
description .....	253	
installation .....	256	<b>O</b>
maintenance .....	255	Oil cooler (See Lubricating oil cooler)
removal .....	253-255	Oil filter (See Lubricating oil filter)
trouble shooting .....	253	Oil pump
Lubricating oil filter and cooler		assembly .....
adapter, removal .....	258	description .....
Lubricating system		disassembly .....
description .....	239-242	fits and tolerances.....
lubricating oil cooler.....	257-261	inspection of parts.....
lubricating oil filter.....	253-256	installation .....
oil pump .....	244-252	maintenance duties by echelons
trouble shooting .....	243	removal .....
Lubrication:		trouble shooting .....
ball bearings .....	279	Oil pump inlet
clutch release bearing.....	20	disassembly .....
		installation .....
<b>M</b>		Oil pump outlet pipe and bypass
Maintenance (and repair)		valve, removal .....
air cleaner (oil bath).....	127-128	Oil seals
air precleaner .....	125-126	inspection .....
blower .....	90-91	installation .....
exhaust manifold and		in blower end plate.....
muffler .....	264-265	removal .....
first stage fuel filter assembly....	79	Operating shaft assembly
generator .....	173-174	installation .....
generator regulator .....	197	removal .....
lubricating oil cooler.....	260	Operation
lubricating oil filter.....	255	fuel injectors .....
radiator .....	164-166	testing for .....
second stage fuel filter assembly	83	governor .....
starting motor .....	218	Operational inspection of fuel and
third stage fuel filter assembly....	86	air system .....
Manifold (See Exhaust manifold and muffler)		Outlet check valve assembly, installation .....
Master clutch		303
adjustment .....	26-28	Overheating
assembly .....	23-26	cooling system .....
clutch brake adjustment.....	28-29	radiator .....
clutch brake assembly.....	28	water pump .....
description .....	13	
disassembly .....	17	
inspection and repair.....	20-22	

**ORDNANCE MAINTENANCE—MEDIUM TRACTOR M1  
(ALLIS-CHALMERS HD-7W) ENGINE ACCESSORIES**

<b>P</b>	<b>Page No.</b>	<b>Page No.</b>
Pintle assemblies, maintenance duties by echelons.....	10	Rotor shaft front bearings, installation .....
Plunger and follower assembly, assembly .....	54	109-110
Precleaner (See Air precleaner)		Rotor shaft rear bearing, installation .....
Pressure plate		110
installation .....	26	<b>S</b>
removal .....	17	Second stage fuel filter assembly
Pressure pump		assembly and installation.....
assembly .....	301-303	83
disassembly .....	299	description .....
inspection of parts.....	300	80
installation .....	303-304	disassembly .....
removal .....	297-298	81-83
trouble shooting .....	296-297	maintenance .....
Preventive maintenance (See Maintenance)		83
Push rod, adjusting.....	61-62	removal .....
<b>R</b>		81
Rack control lever, adjustment.....	63	Secondary oil filter assembly, maintenance duties by echelons.....
Radiator		7
assembly .....	166	Service defined .....
description .....	159	5
disassembly .....	163-164	Special tools
installation .....	166-168	fuel injectors .....
maintenance and repair.....	164-166	65
removal .....	160-162	fuel pump .....
trouble shooting .....	159	77
Rebuild defined .....	6	generator .....
Release sleeve assembly, installation .....	24	192
Relief valve		generator regulator .....
fits and tolerances.....	252	207
installation .....	75, 249	governor .....
removal .....	72, 247	289
Repair defined .....	6	starting motor .....
Replace defined .....	6	238
Rocker arm cover,		water pump .....
removal.....	41, 92-93, 272	145
Rocker arm shaft and brackets		Spill deflector and plunger bushing, removal .....
installation .....	58	46
removal .....	42	Spray nozzle (assembly)
Rotor assembly, installation.....	74	assembly .....
Rotor lobes, inspection.....	103	301
Rotor shaft bearing retainer, removal .....	96	inspection .....
		306
		installation .....
		310
		removal .....
		299, 306
		Spray tip
		assembly .....
		54
		reconditioning .....
		49-50
		Sprocket shaft assembly
		assembly .....
		250
		disassembly .....
		248
		installation .....
		251
		Stabilizer spring assembly, maintenance duties by echelons.....
		9
		Starting motor
		assembly .....
		233-234
		commutator end frame assembly .....
		232-233
		drive end frame assembly.....
		232
		Dyer drive assembly.....
		232
		field frame assembly.....
		232
		starting motor switch.....
		231

INDEX

<b>S—Cont'd</b>	<b>Page No.</b>		<b>Page No.</b>
<b>Starting motor—Cont'd</b>		<b>Timing gear</b>	
data .....	215	fits and tolerances.....	124
description .....	208–215	installation .....	110–111
disassembly		removal .....	96
commutator end frame....	223–225	<b>Timing injectors</b> .....	59–62
drive end frame assembly	225–226	<b>Trouble shooting:</b>	
Dyer drive assembly.....	226	air heater .....	296–297
field frame assembly.....	225	cooling system	
into main subassemblies..	222–223	fans and belts.....	146
starting motor switch....	226–228	radiator .....	159
inoperative or slow cranking		thermostat .....	156
motor .....	220–221	water pump .....	137–138
inspection and repair.....	228–230	exhaust manifold and muffler.....	262
installation .....	237–238	fuel and air system	
maintenance duties by echelons	8	fuel injectors .....	40
operational checks and		fuel pump .....	68
inspection .....	218–219	generator .....	174–175
removal from engine.....	221–222	governor and controls.....	271–272
special tools .....	238	lubrication system	
testing .....	234–237	lubricating oil filter.....	253
trouble shooting .....	219–220	oil pump .....	244
<b>Starting motor switch</b>		master clutch .....	14
description .....	215	starting motor .....	219–220
inspection .....	218	<b>Truck frame assembly, mainte-</b>	
inspection and repair.....	230	nance duties by echelons.....	9
		<b>Truck wheel assemblies, mainte-</b>	
		nance duties by echelons.....	9
		<b>V</b>	
		<b>Valve clearance, adjustment.....</b>	<b>59</b>
		<b>Valves and seals, reconditioning</b>	<b>48–49</b>
		<b>Variable speed lever shaft, instal-</b>	
		lation .....	279
		<b>Variable speed spring housing (as-</b>	
		sembly)	
		disassembly .....	276
		removal .....	274
		<b>Variable speed spring plunger</b>	
		installation .....	282
		removal .....	274
		<b>Vehicle assembly, maintenance</b>	
		duties by echelons.....	11
		<b>Voltage regulator (unit)</b>	
		adjustment .....	204–207
		theory of operation.....	196

**TM 9-1783B**

**ORDNANCE MAINTENANCE—MEDIUM TRACTOR M1  
(ALLIS-CHALMERS HD-7W) ENGINE ACCESSORIES**

<b>W</b>	<b>Page No.</b>		<b>Page No.</b>
Washing master clutch.....	21-22	special tools .....	145
Water pump		trouble shooting .....	137-138
assembly .....	142-144	Water pump drive coupling	
description .....	137	installation .....	116
disassembly .....	140-141	removal .....	96, 141
inspection and repair.....	142	Winch assembly, maintenance	
installation .....	144-145	duties by echelons.....	12
on blower .....	118	Winch drive shaft guard	
maintenance duties by echelons	8	installation .....	238
removal .....	95, 138-140	removal .....	160

[ A.G. 300.7 (9 June 1943)  
O.O.M. 461/13800 C. of O. (18 June 1943) ]

**BY ORDER OF THE SECRETARY OF WAR:**

**G. C. MARSHALL,**  
*Chief of Staff.*

**OFFICIAL:**

**J. A. ULIO,**  
*Major General,*  
*The Adjutant General.*

**DISTRIBUTION: R 9(4); Bn 9(2); C 9(8)**  
**(For explanation of symbols, see FM 21-6)**