

DEPARTMENT OF THE ARMY
SUPPLY CATALOG

ORD 9 SNL G-503

Group B

LIST OF ALL SERVICE PARTS

FOR

TRUCK, 1/4-TON, 4x4, COMMAND RECONNAISSANCE
(FORD, MODEL GPW; WILLYS, MODEL MB)

Supersedes ORD 9 SNL G-503, 15 February 1945

Ref: TM 9-1803A
TM 9-1803B

This pamphlet is correct to 23 August 1949

DEPARTMENT OF THE ARMY

OCTOBER 1949

INTRODUCTION

1. GENERAL. *a.* This is a list of items of service for the Truck, ¼-Ton, 4 x 4 (Ford and Willys) arranged according to standard government grouping.

Note. Many of the parts listed herein are not stocked for issue. See the appropriate ORD 7 and ORD 8 catalogs for listings of those parts stocked and authorized for issue to the various levels of maintenance. When parts not listed in the ORD 8 are needed, separate requisitions for these parts should be forwarded through normal supply channels with justification therefor.

b. This list of all service parts is to be used for identification and storage purposes. Every individual part is not necessarily stored by itself; many parts are stored as authorized assemblies. Such assemblies are indicated herein. The components of such assemblies are listed alphabetically within the group with the total quantity of each required for that particular application in the vehicle.

c. For full information relative to the Ordnance section of the Department of the Army Supply Catalog, including the purposes and uses thereof, the procedure followed, and the principles employed in its compilation, see ORD 1, Introduction and Index; and the Ordnance Provision System Regulations (OPSR).

2. MAJOR ITEM DESIGNATION. The major item covered in this catalog pamphlet is designated as a general purpose vehicle as defined in AR 700-105.

3. NOTE SYMBOL. The Note Symbol column contains reference symbols. These may be letters such as *a* or *c*, or characters such as % or #, which are explained under the heading "NOTES"; or SNL designations such as *H-1* or *J-1*.

4. STOCK NUMBERS. The class code which is comprised of the prefix letter and number of the stock number (i. e., G104, G503, or G612) usually signifies that the particular part or component was originally coded under the major item designation for the SNL number and does *NOT* mean that the part is used *ONLY* in that major item. All subsequent lists which include that same part will show the identical stock number.

5. ORDNANCE AND MANUFACTURERS' PART NUMBERS. Where more than one ordnance number, or more than one manufacturer's number apply to the same part, all except the first number in each of the two part number columns is indented.

6. ILLUSTRATIONS. This catalog contains various illustrations to aid the user in locating and identifying parts. These are placed before each group to be convenient for reference in connection with the text for that group. For each part identified on an illustration, the noun, part number and group number of the item are given. The prefix portion of the figure number indicates the group to which it pertains; the suffix indicates the sequence number within that group (that is, figure 01-14 signifies illustration number 14 in group 01).

7. NOMENCLATURE. *a.* Items appearing within a subgroup that lists components of and/or items related to only *one* assembly automatically assume as part of their official nomenclature the title of the pertinent subgroup. (Example: "SPRING, retaining, shaft bearing" is an entry in subgroup 0504. The complete nomenclature of the item is "SPRING, retaining, water pump shaft bearing," "WATER PUMP" being the subgroup title.)

b. Items appearing within a subgroup that lists *more than one* assembly or *more than one* group of related items are listed with their complete nomenclature. (Example: "BUSHING, shock absorber mounting pin" is an entry in subgroup 1604. The complete nomenclature of the item is as shown, the title of the subgroup being "AXLE BUMPERS AND SHOCK ABSORBERS.")

c. Whenever any doubt might exist as to what items are included as components of assemblies, kits or sets, an explanatory note or a complete listing of such component parts is given.

d. Attaching parts such as bolts, nuts, rivets, washers, etc., are listed and indented immediately under the item which they attach. Whenever similar parts, such as right and left fenders, etc., are listed, they are placed one immediately following the other in the catalog and their attaching parts are indented under the last of such similar parts. The quantities shown for the attaching parts are those required to attach all of the similar parts and not just the last one.

8. UNIT OF MEASURE. This may be in the form of an actual unit of measure, such as "oz," "lb," "ft," etc., or, as in the case of most items, merely by the use of "each," abbreviated to "ea."

9. QUANTITY PER UNIT ASSEMBLY. The total quantity shown for an item is the quantity required for that particular application only.

10. INDEXES. Complete indexes, stock number, alphabetical, and numerical, with explanations of their arrangement, are furnished at the end of the text.

11. SPECIAL INFORMATION. a. *Interchangeability of Components.* The engine has many components that are similar as those of Power Unit (Willys Engine Model 441) Signal Corps Models PE95F, PE95G, PE95H, PE182, PE183A, PU26V, and PU58G (SNL G-716).

b. *Publications Pertaining to This Vehicle.* The following are technical manuals pertaining to this vehicle: TM 9-803, TM 9-1803A, TM 9-1803B, TM 9-1825A, TM 9-1826A, TM 9-1827C, TM 9-1828A.

c. *Definition of Locational Terms.* Front and rear, left and right sides of the engine and the vehicle are designated with respect to the position of the driver.

d. *Federal Stock Numbers.* Ordnance installations will find Classification Codes in ORD 5-2, Alphabetical Index to Stock List of All Items, for Federal stock numbers listed herein.

e. *Prices.* For prices of items contained herein, see the appropriate catalog pamphlet of ORD 5-3, Pricing Guide.

12. HOW TO FIND PARTS. This catalog is arranged and cross-indexed so that parts can be found easily even though only one of the several identifying factors is known. The various ways in which parts can be located are as follows:

a. If only the nomenclature (basic name) is known, and the subgroup is not, refer to the alphabetical index in the back of the catalog. This index will give the subgroup in which the part is listed. As the part names are arranged in alphabetical order within this subgroup, the complete listing of the part can readily be found.

b. If any one of the numbers—ordnance number, stock number, or manufacturer's number—is known, refer to the appropriate numerical index in the back of the catalog. This index will give the subgroup number from which the part can be found by following the procedure given in a above.

c. If the shape, use, function, or location of the part is known, refer to illustrations in which the part is likely to appear until a picture of the part is found. The arrow pointing to the part will lead out to a listing of the name, part number and subgroup number, which will permit locating the complete listing of the part.

13. SUGGESTIONS. Notice of discrepancies or suggested changes should be directed to the Chief of Ordnance, Washington 25, D. C., ATTENTION: ORDFM-Pub.

14. STANDARD GOVERNMENT GROUPING. The parts listed in this catalog pamphlet are arranged by groups and subgroups and alphabetically within these groups. Parts are grouped primarily on the basis of their function rather than location. This arrangement facilitates identification and selection of parts. Refer to paragraph 12, "HOW TO FIND PARTS."

01—ENGINE

- 0100 Engine and Mounting Parts.
- 0101 Engine Cylinder Block and Head.
- 0102 Engine Crankshaft and Related Parts.
- 0102.1 Engine Main Bearings.
- 0103 Engine Flywheel and Ring Gear.
- 0104 Engine Pistons and Piston Rings.
- 0104.1 Engine Connecting Rods and Bearings.
- 0105.1 Engine Valves, Springs, and Guides.
- 0105.2 Engine Valve Tappets.
- 0105.3 Engine Camshaft, Bearings, and Spacers.
- 0105.4 Engine Camshaft Drive and Timing Gear Cover.
- 0106.1 Engine Oil Pump.
- 0106.2 Engine Oil Filter.
- 0106.5 Engine Crankcase Ventilator.
- 0106.6 Engine Oil Pan, Oil Level Gage, and Lines.
- 0108 Engine Manifolds and Heat Control.

02—CLUTCH

- 0201 Clutch and Pilot Bearing.
- 0202 Clutch Control.

03—FUEL SYSTEM

- 0301 Carburetor.
- 0302 Fuel Pump.
- 0304 Air Cleaner and Connections.
- 0306 Fuel Tank, Lines, and Gages.
- 0309 Fuel Filter.
- 0312 Accelerator, Hand Throttle, and Choke Controls.

04—EXHAUST SYSTEM

- 0401 Muffler and Exhaust Pipe (Round and Oval Type).
- 0401.1 Muffler and Exhaust Pipe (Deep Mud Type).

05—COOLING SYSTEM

- 0501 Radiator and Surge Tank.
- 0503 Water Lines and Thermostat.
- 0504 Water Pump.
- 0505 Fan, Belt and Pulley.

06—ELECTRICAL SYSTEM

- 0601.1 Generator (6-Volt).
- 0601.3 Generator (12-Volt).
- 0602.1 Generator Regulator (6-Volt).
- 0602.3 Generator Regulator (12-Volt).
- 0603 Starter and Switches.
- 0604.1 Distributor.
- 0605 Ignition Coil, Cables, Switch, and Spark Plugs.
- 0607 Instrument Panel Wiring, Lights, and Gages.
- 0608 Switches, Junction Blocks, and Circuit Breakers.
- 0609.1 Lights: Head, Tail and Marker; Lamp-Units.
- 0611 Horn, Button, and Switch.
- 0612 Batteries, Hangers, Boxes, and Cables.
- 0613.1 Chassis Wiring.
- 0615 Radio Suppression Items.
- 0617 Trailer Electric Coupling.

07—TRANSMISSION

- 0700 Transmission Assembly.
- 0701 Transmission Case and Covers.
- 0702.1 Transmission Input Drive Gear, Bearings, and Retainer.

07—TRANSMISSION—Continued

- 0702.2 Transmission Main Shaft, Gears, Bearings, and Synchronizer.
- 0702.3 Transmission Countershaft, Idler Shaft, Gears, and Spacers.
- 0704 Transmission Gear Shift Lever, Shafts, and Forks.

08—TRANSFER

- 0800 Transfer Assembly.
- 0801 Transfer Case, Covers, Gaskets, and Plugs.
- 0802.1 Transfer Input Gear.
- 0802.2 Transfer Intermediate Shaft and Gear.
- 0802.3 Transfer Output Shaft and Gear.
- 0802.5 Speedometer Drive Parts.
- 0804 Transfer Gear Shift Levers, Forks, Shafts, etc.
- 0806.5 Transfer Breather.

09—PROPELLER SHAFT

- 0900 Propeller Shaft, Universal Joints, and Related Parts.

10—FRONT AXLE

- 1000 Front Axle Assembly.
- 1001 Front Axle Housing, Covers, and Plugs.
- 1002 Front Axle Differential.
- 1004 Steering Knuckles and Related Parts.
- 1006 Front Axle Shafts and Universal Joints.

11—REAR AXLE

- 1100 Rear Axle Assembly.
- 1101 Rear Axle Housing, Covers, and Plugs.
- 1102 Rear Axle Differential.
- 1104 Rear Axle Shafts and Related Parts.

12—BRAKES

- 1201.1 Hand Brakes, External Contracting Type.
- 1201.2 Hand Brakes, Internal Expanding Type.
- 1202 Service Brake Assembly.
- 1204.1 Brake Master Cylinder, Pedal, and Connections.
- 1204.2 Brake Wheel Cylinders.
- 1204.3 Brake Lines.

13—WHEELS

- 1311 Wheel Assembly.
- 1312 Wheel Hubs and Drums.
- 1313 Wheel Tires and Tubes.

14—CONTROLS

- 1401 Steering Linkage.
- 1401.1 Steering Gear Assembly.

15—FRAME

- 1501 Frame Assembly.
- 1503 Pintle Assembly.
- 1504 Spare Wheel Carrier.

16—SPRINGS AND SHOCK ABSORBERS

- 1601 Axle Springs.
- 1601.1 Shackles and Spring Attaching Parts.
- 1602 Torque Reaction Spring.
- 1604 Axle Bumpers and Shock Absorbers.

17—FENDERS AND HOOD

- 1701 Fenders.
- 1703 Hood.

18—BODY

- 1800 Body Assembly.
- 1804 Body Panels, Handles, and Windshield.
- 1805 Body Floors, Seals, and Compartments.
- 1806 Seats, Crash Pads, Trim, and Upholstery.

18—BODY—Continued

1808 Stowage Racks, Boxes, and Straps.

21—BUMPERS AND GUARDS

2101 Bumpers, Fillers, Liners, and Guards.

22—MISCELLANEOUS EQUIPMENT

2201 Canvas Items, Bows, and Curtains.

22—MISCELLANEOUS EQUIPMENT—Continued

2202 Mirrors and Reflectors.

2202. 1 Hand Windshield Wiper.

2202. 2 Vacuum Windshield Wiper.

2208. 1 Speedometer and Related Parts.

2210 Instruction and Name Plates.

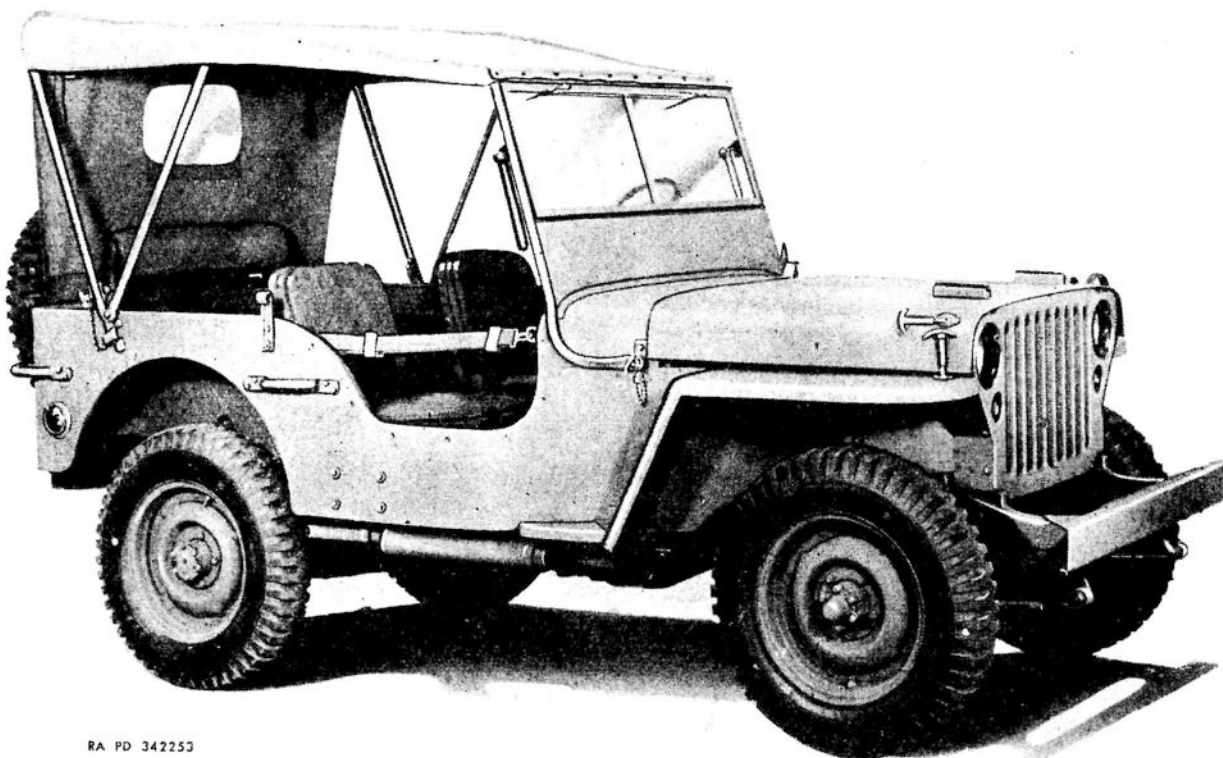
15. MANUFACTURERS' IDENTIFICATION SYMBOLS. Listed below are the manufacturers symbols used in this catalog:

<i>Symbol</i>	<i>Manufacturer</i>	<i>Symbol</i>	<i>Manufacturer</i>
AB	Aetna Ball Bearing Mfg. Co.	KS	King Seely Corp.
AC	AC Spark Plug Division (GM)	LK	Link Belt Co.
AD	Alemite Div. (Stewart-Warner Corp.)	LO	Wagner Electric Co. ("Lockheed")
AL	Electric Auto-Lite Corp.	MAE	Monroe Auto Equipment Co.
AN	Ainsworth Mfg. Co.	MRC	Marlin-Rockwell Corp.
AVM	Atwood Vacuum Mfg. Co.	MSP	Midland Steel Products Co.
B&B	Borg & Beck Div. (Borg Warner Co.)	ND	New Departure Mfg. Co. (GM)
BN	The Bantam Bearing Co.	NP	New Process Gear, Inc.
BT	Bingham Stamping & Tool Div. (Logan Gear Co.)	OKS	Oakes Products Division (Houdaille-Hershey Corp.)
BUE	Edward G. Budd Mfg. Co.	PU	Purolator Products, Inc.
BX	Bendix Product Corp.	RG	Ross Gear & Tool Co.
CA	Columbus Auto Parts Co.	RMC	Rich Mfg. Co.
CAR	Carter Carburetor Corp.	SP	Spicer Mfg. Co.
CB	Corcoran-Brown Lamp Co. (The)	SPW	Sparks Withington Co. (The)
CL	Clum Mfg. Co.	SW	Stewart-Warner Corp.
DM	Douglas Mfg. Co., H. A.	TA	Tropic-Aire, Inc.
EAT	Eaton Mfg. Co.	TIM	Timken Roller Bearing Co.
FM	Ford Motor Co.	TP	Thompson Products, Inc.
FO	Flex-O-Tube Co.	TRI	Trico Products Co.
GM	General Motors Corp.	TRU	American Chain & Cable Co.
HI	Hayes Industrial, Inc.	TSE	Taylor Sales Engineering Co.
HLH	Holland Hitch Co.	USL	USL Battery Corp.
HO	Hoover Ball & Bearing Co.	WEB	Wagner Electric Brake Mfg. Co.
HP	Harris Products Co.	WG	Warner Gear Co.
HR	Harrison Radiator Division (GM)	WH	Weatherhead Co. (The)
HY	Hyatt Bearing Division (GM)	WIL	Wilcox Rich Division (Eaton Mfg. Co.)
KHW	Kelsey Hayes Wheel Co.	WO	Willys-Overland Motors, Inc.

16. LIST OF ABBREVIATIONS. The following is a list of standard abbreviations used in this catalog:

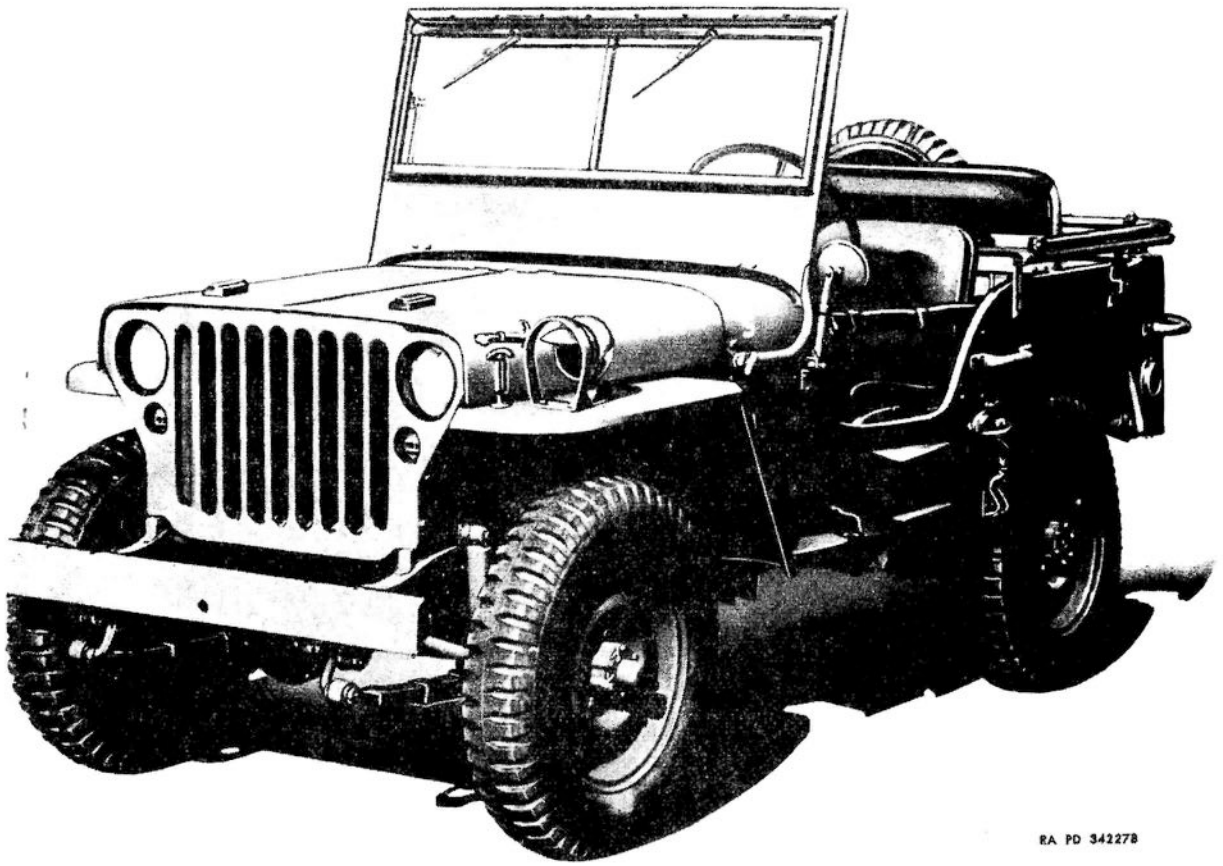
alloy-S	alloy-steel	deg	degree
amp	ampere	diam	diameter
assy	assembly	dld f/lkg-wire	drilled for locking wire
bdg-hd	binding head	ea	each
b-hd	button head	elec	electric
blk-enmld	black enameled	ext-teeth	external teeth
br	brass	fil	filament
bz	bronze	fil-hd	fillister head
cand bay base	candelabra bayonet base	fin	finished
cd-pltd	cadmium plated	fl-hd	flat head
CI	cast iron	ft	foot (or feet)
ck-hd	countersunk head	glvd	galvanized
cold-fin-s	cold finished steel	hd	head
contd	continued	hex	hexagon
cop	copper	hex-hd	hexagonal head
corr-res-S	corrosion resistant steel	ID	inside diameter
cp	candlepower	ie	for example
etd	coated	in	inches
dbl	double	incand	incandescent
dbl-tun-fil	double tungsten filament	int-ext-teeth	internal external teeth
dc	direct current	int-teeth	internal teeth

lb.....	pound	ru.....	rubber
ld-ctd.....	lead coated	S.....	steel
lg.....	long	SAE.....	Society of Automotive Engineers
lgh.....	length	SC.....	single contact
LH.....	left hand	s-fin.....	semi-finished
mach.....	machine	sgle-tun-fil.....	single tungsten filament
med.....	medium	sq.....	square
MFD.....	microfarad	sq-ends.....	square ends
MI.....	malleable iron	sq-hd.....	square head
min.....	miniature, minimum, minute	sq-nk.....	square necked
mm.....	millimeter	SR.....	single row
NC.....	national coarse	std.....	standard
NF.....	national fine	stght.....	straight
ni-S.....	nickel steel	T.....	teeth
No.....	number	tee-hdle.....	tee handle
NPT.....	national pipe thread	term.....	terminal
NS.....	national form special	thd.....	threaded
OD.....	outside diameter	thk.....	thick
oz.....	ounce	US std.....	US standard
phos-ctd.....	phosphate coated	v.....	volts
psi.....	pounds per square inch	w.....	watt
pt.....	point	w/.....	with
rd-end.....	round end	w/o.....	without
rd-hd.....	round head	zn.....	zinc
reg.....	regular	zn-pltd.....	zinc plated
RH.....	right hand		



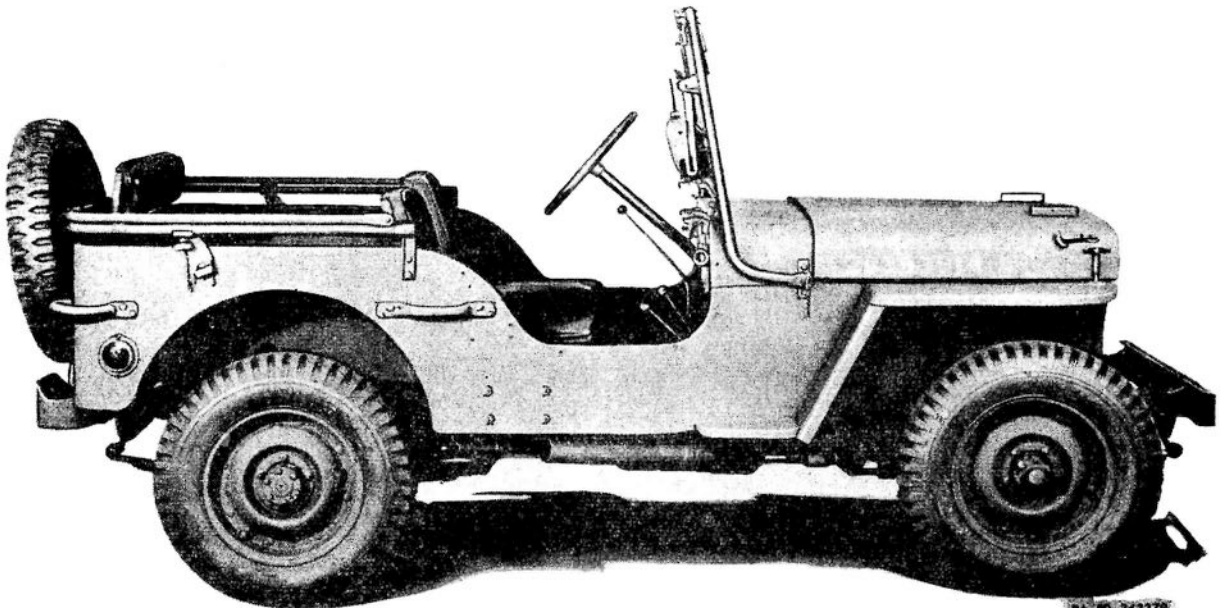
RA PD 342253

Figure A. Truck, 1/4-ton, 4 x 4—3/4 right front view.



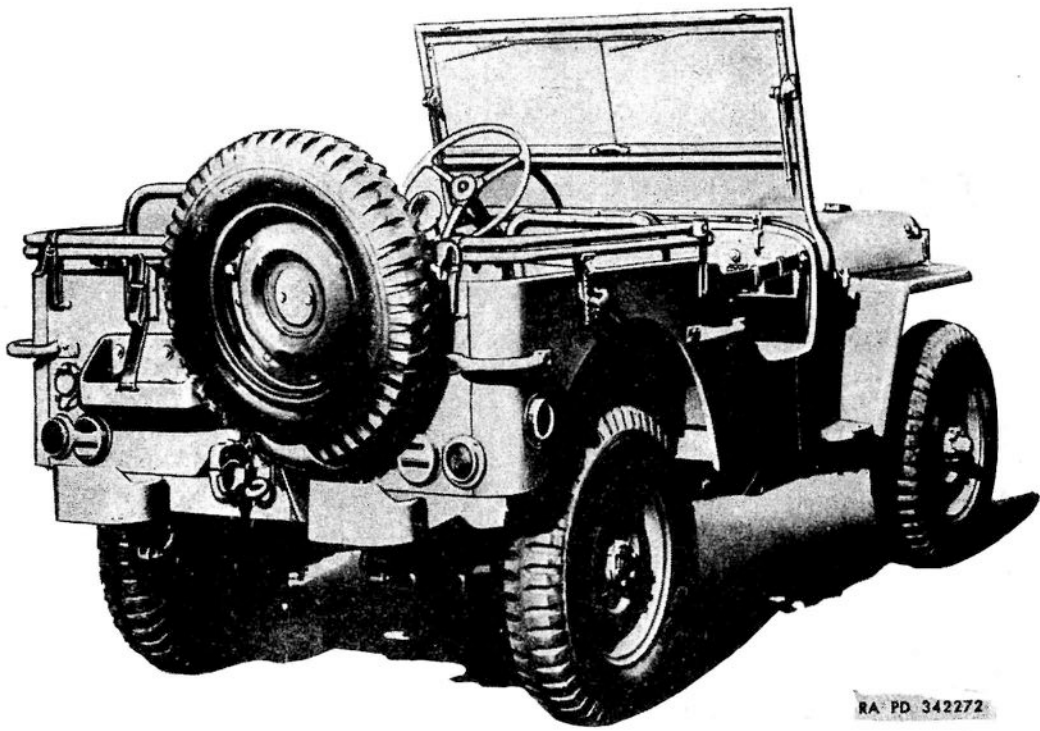
RA PD 34227B

Figure B. Truck, 1/4-ton, 4 x 4—1/4 left front view.



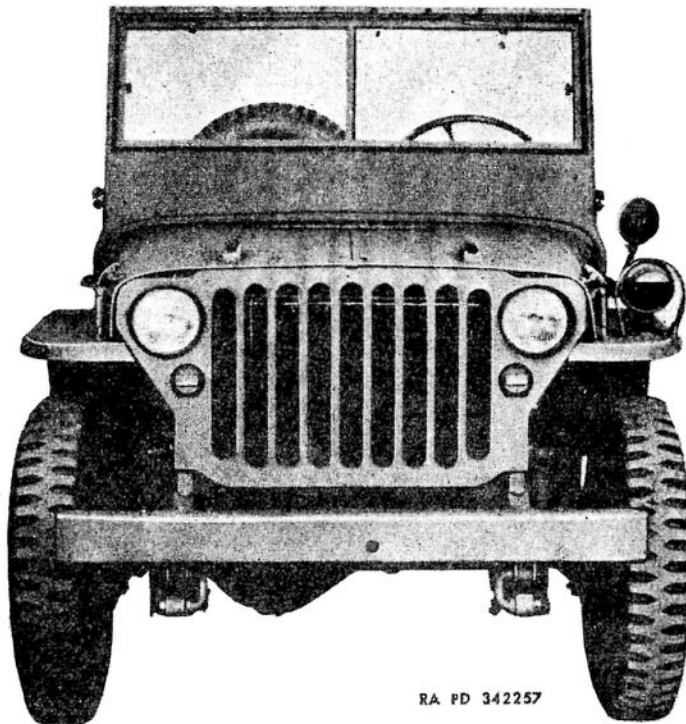
RA PD 34227C

Figure C. Truck, 1/4-ton, 4 x 4—right side view.



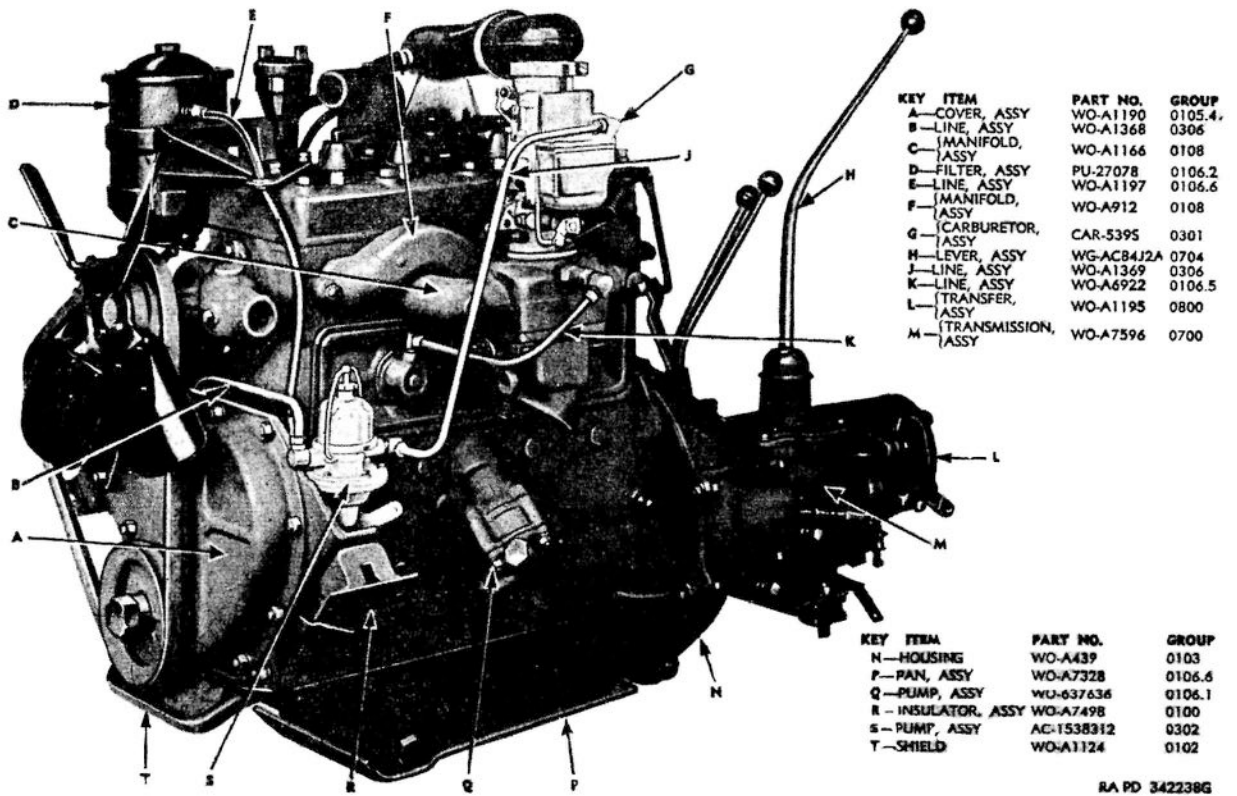
RA PD 342272

Figure D. Truck, 1/4-ton, 4 x 4—right rear view.



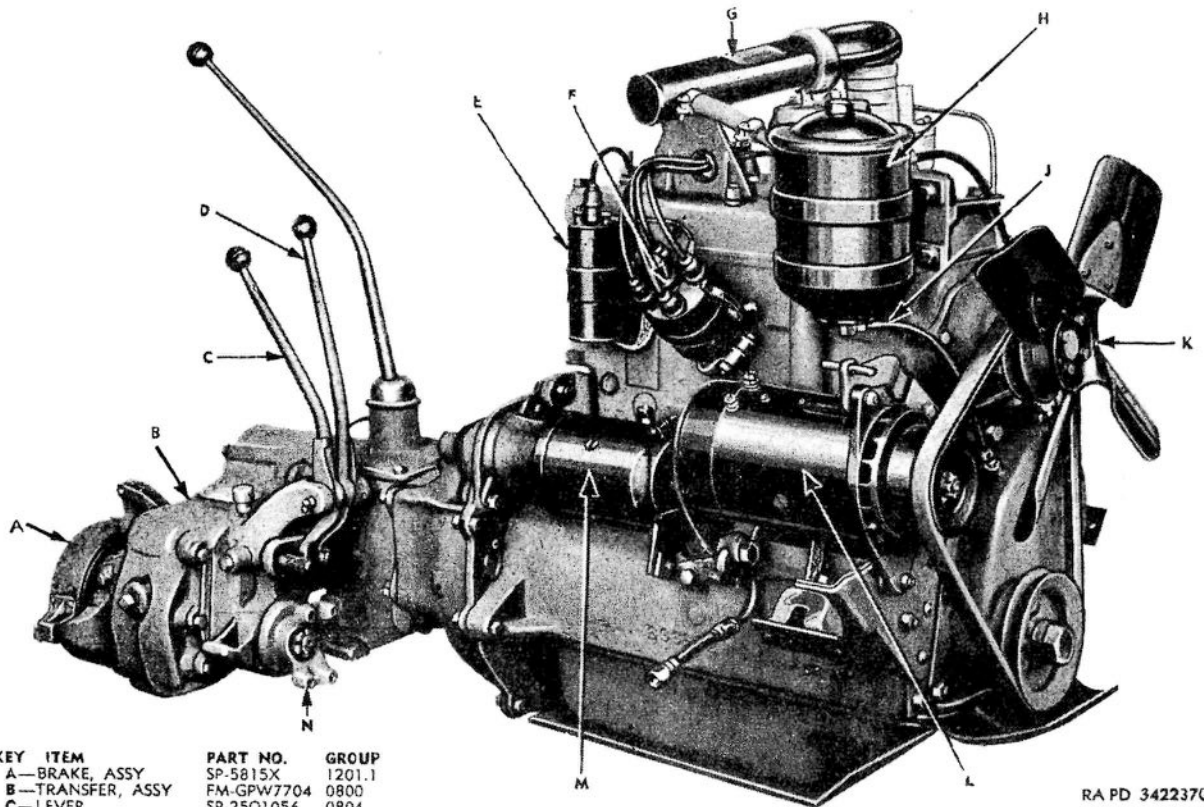
RA PD 342257

Figure E. Truck, 1/4-ton, 4 x 4—front view.



RA PD 342238G

Figure 01-1. Power plant—left side view.



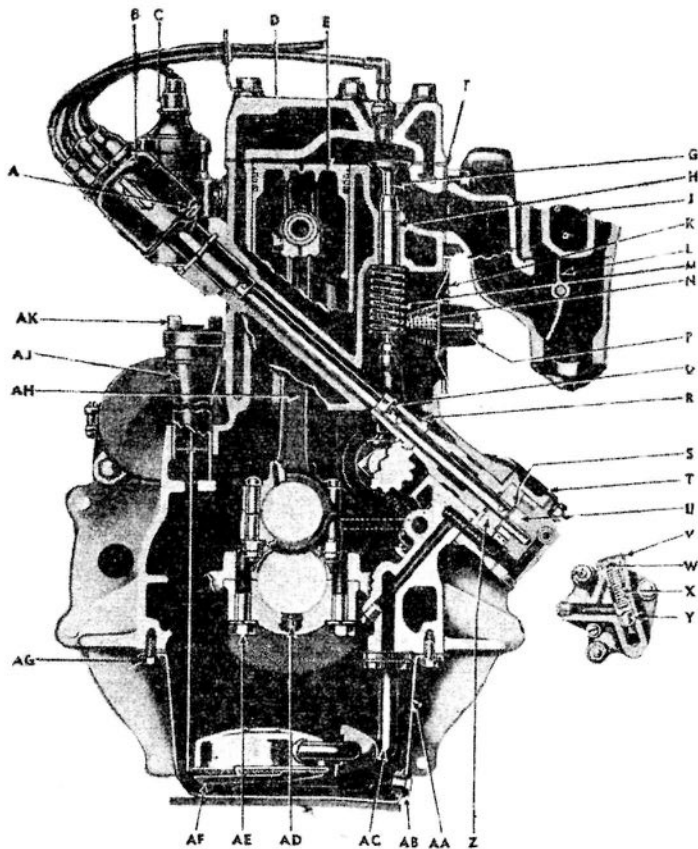
KEY ITEM	PART NO.	GROUP
A—BRAKE, ASSY	SP-5815X	1201.1
B—TRANSFER, ASSY	FM-GPW7704	0800
C—LEVER	SP-25Q1056	0804
D—LEVER	SP-25Q1055	0804
E—COIL, ASSY	AL-IG4070L	0005
F—DISTRIBUTOR ASSY	AL-IAD4008	0604.1
G—TUBE, ASSY	WO-A6911	0304

KEY ITEM	PART NO.	GROUP
H—FILTER, ASSY	PU-27078	0106.2
J—LINE, ASSY	WC-A1198	0106.6
K—FAN, ASSY	HI-88632	0505

KEY ITEM	PART NO.	GROUP
L—GENERATOR, ASSY	AL-GEG5101D	0601.1
M—STARTER, ASSY	AL-MZ4113	0603
N—YOKE, ASSY	SP-K2-4-88X	0900

RA PD 342237G

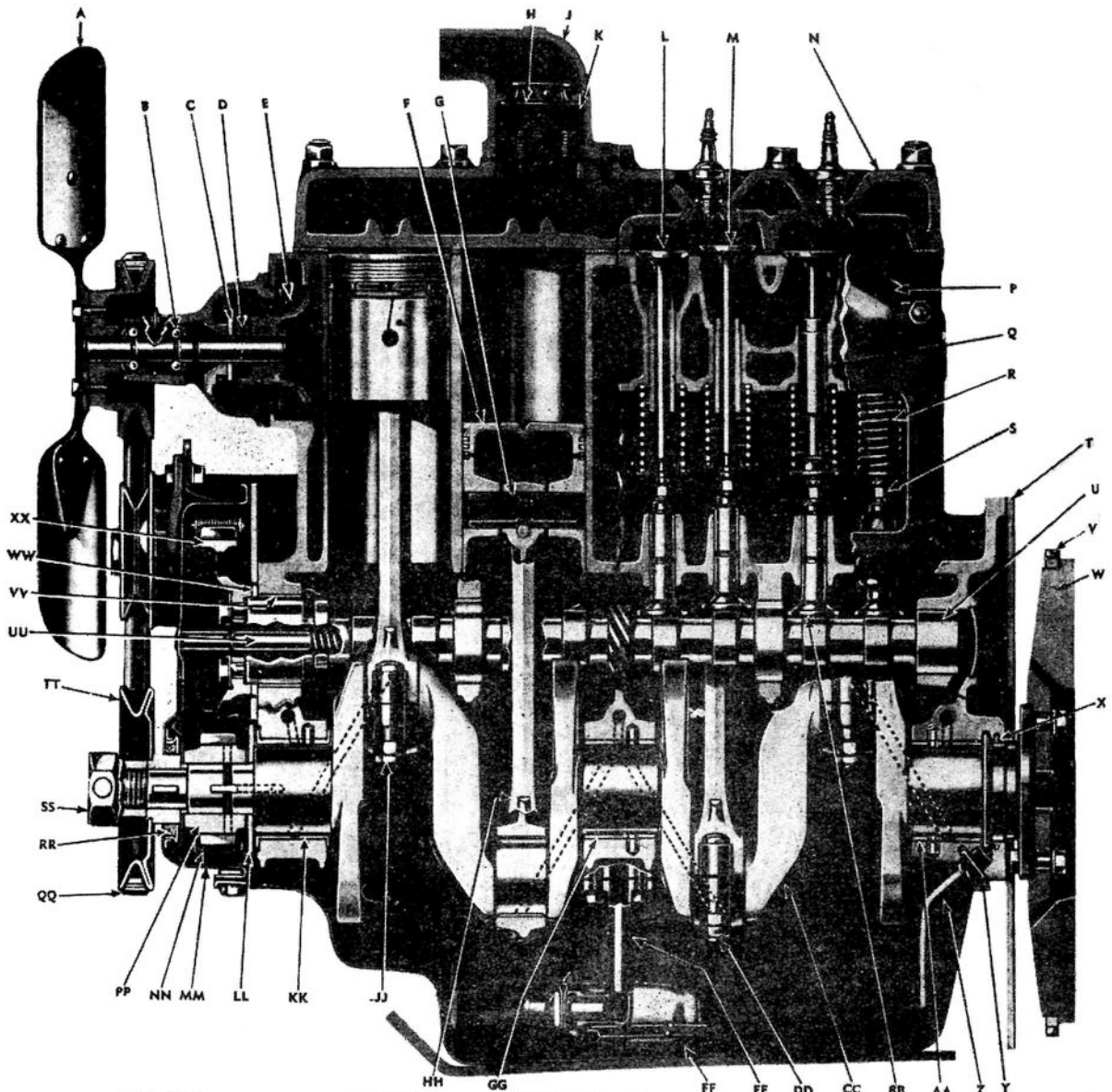
Figure 01-2. Power plant—right side view.



KEY LTR	PART NO.	GROUP
A—CUP	45-C-9272	0604.1
E—DISTRIBUTOR, ASSY	AL-1AD4008	0604.1
C—COIL	AL-1G4070L	0605
D—HEAD	WO-A1534	0101
E—PISTON, ASSY	WO-637041	0104
F—GASKET	WO-638640	0108
G—VALVE	PMC-A366	0105.1
H—GUIDE	WO-375811	0105.1
J—MANIFOLD, ASSY	WO-A1165	0108
K—COVER	WO-630303	0105.1
L—VALVE	WO-636439	0108
M—SPRING	WO-638636	0105.1
N—BAFFLE	WO-630298	0106.5
P—BOLT	WO-632158	0105.1
Q—SPRING	WO-637615	0604.1
R—GEAR	WO-637425	0106.1
S—DISK	WO-636600	0106.1
T—PUMP	WO-637636	0106.1
U—PINION	WO-343306	0106.1
V—RETAINER	WO-630390	0106.1
W—SHIM	WO-630389	0106.1
X—SPRING	WO-356155	0106.1
Y—PLUNGER	WO-630518	0106.1
Z—SHAFT, ASSY	WO-636599	0106.1
AA—FAN, ASSY	WO-A7328	0106.6
AB—PLUG	WO-639979	0106.6
AC—SUPPORT	WO-630397	0106.6
AD—PIN	WO-635377	0102.1
AE—SCREW	WO-381519	0102
AF—FLOAT, ASSY	TSE-2158	0106.6
AG—SCREW	120228	0106.6
AH—ROD, ASSY	WO-640072	0104.1
AJ—PIPE, ASSY	WO-A6915	0106.6
AK—GAGE, ASSY	WO-A6525	0106.6

RA PD 342259G

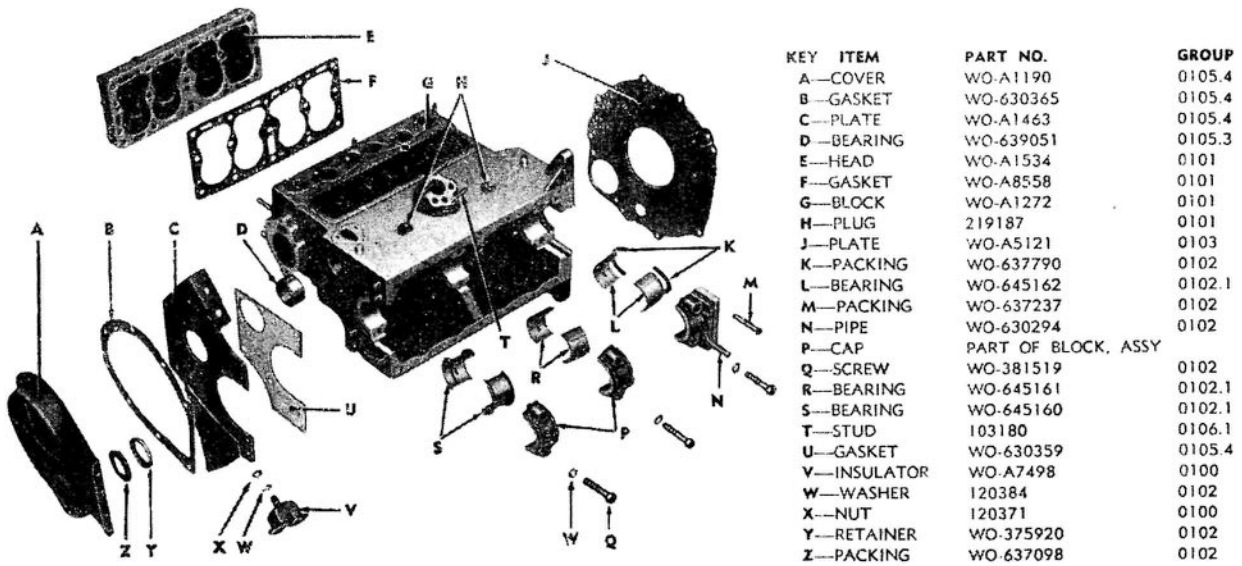
Figure 01-3. Engine—cross section.



KEY ITEM	PART NO.	GROUP	KEY ITEM	PART NO.	GROUP
A-FAN, ASSY	HI-88632	0505	Z-PIPE	WO-630294	0102
B-BEARING	710161	0504	AA-BEARING, ASSY	WO-645162	0102.1
C-WASHER	WO-640034	0504	BB-TAPPET	WIL-5T1265	0105.2
D-SEAL, ASSY	WO-640031	0504	CC-CRANKSHAFT, ASSY	WO-A7568	0102
E-IMPELLER	WO-639993	0504	DD-BOLT	WO-637020	0104.1
F-PISTON	WO-636954	0104	EE-SUPPORT	WO-630397	0106.6
G-PIN	WO-636961	0104	FF-FLOAT, ASSY	TSE-2158	0106.6
H-THERMOSTAT, ASSY	HR-3108628	0503	GG-BEARING, ASSY	WO-645161	0102.1
J-ELBOW	WO-A1192	0503	HH-ROD, ASSY	WO-640072	0104.1
K-RETAINER	WO-639651	0503	JJ-NUT	107824	0104.1
L-VALVE	RMC-A366	0105.1	KK-BEARING, ASSY	WO-645160	0102.1
M-VALVE	RMC-A365	0105.1	LL-WASHER	WO-634796	0102
N-HEAD	WO-A1534	0101	MM-COVER, ASSY	WO-A1190	0105.4
P-MANIFOLD	FM-GPW-9428	0108	NN-CHAIN	LK-S-40936	0105.4
Q-GUIDE	WO-637045	0105.1	PP-SPROCKET	LK-S35116-1	0105.4
R-SPRING	WO-638636	0105.1	QQ-BELT	507226	0505
S-SCREW	WO-640020	0105.2	RR-PACKING	WO-637098	0102
T-PLATE	WO-A5121	0103	SS-NUT, ASSY	WO-387633	0102
U-CAMSHAFT	WO-637065	0105.3	TT-PULLEY	WO-638113	0102
V-GEAR	WO-635394	0103	UU-PLUNGER	WO-375907	0105.3
W-FLYWHEEL ASSY	WO-A7503	0103	VV-BEARING	WO-639051	0105.3
X-PACKING	WO-637237	0102	WW-WASHER	WO-375900	0105.3
Y-PIN	112011	0102	XX-SPROCKET	LK-S35117-1	0105.4

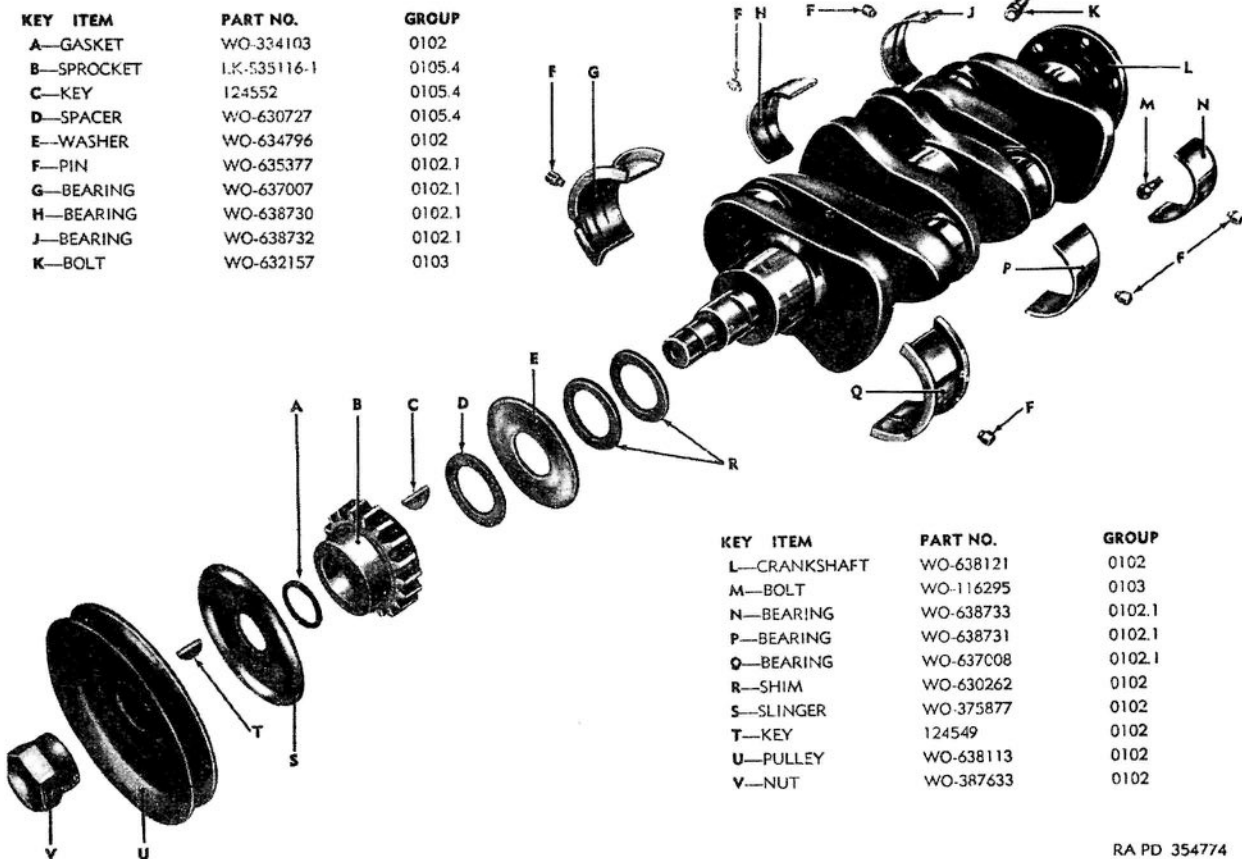
RA PD 342291G

Figure 01-4. Engine—longitudinal section.



RA PD 28660G

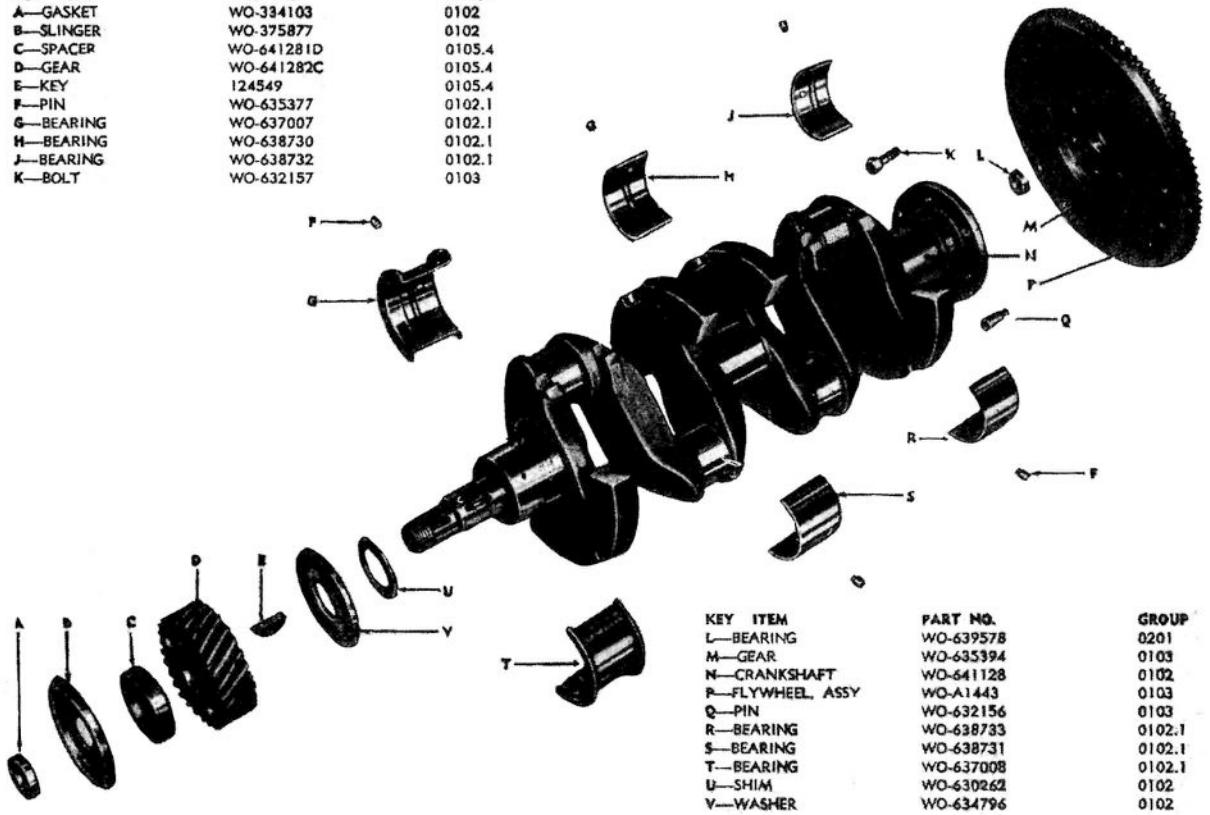
Figure 01-5. Engine block, covers, and bearings—exploded view.



RA PD 354774

Figure 01-6. Crankshaft and bearings (for chain camshaft drive)—exploded view.

KEY ITEM	PART NO.	GROUP
A—GASKET	WO-334103	0102
B—SLINGER	WO-375877	0102
C—SPACER	WO-641281D	0105.4
D—GEAR	WO-641282C	0105.4
E—KEY	124549	0105.4
F—PIN	WO-635377	0102.1
G—BEARING	WO-637007	0102.1
H—BEARING	WO-638730	0102.1
J—BEARING	WO-638732	0102.1
K—BOLT	WO-632157	0103

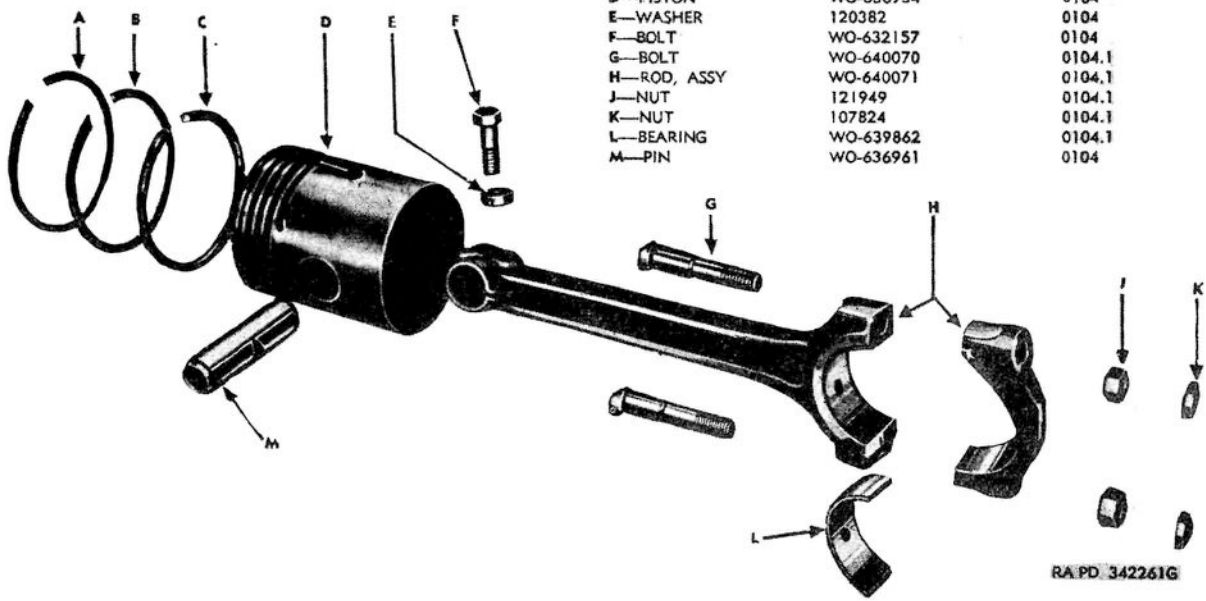


KEY ITEM	PART NO.	GROUP
L—BEARING	WO-639578	0201
M—GEAR	WO-635394	0103
N—CRANKSHAFT	WO-641128	0102
P—FLYWHEEL, ASSY	WO-A1443	0103
Q—PIN	WO-632156	0103
R—BEARING	WO-638733	0102.1
S—BEARING	WO-638731	0102.1
T—BEARING	WO-637008	0102.1
U—SHIM	WO-630262	0102
V—WASHER	WO-634796	0102

RA PD 355081

Figure 01-7. Crankshaft and bearings (for gear camshaft drive)—exploded view.

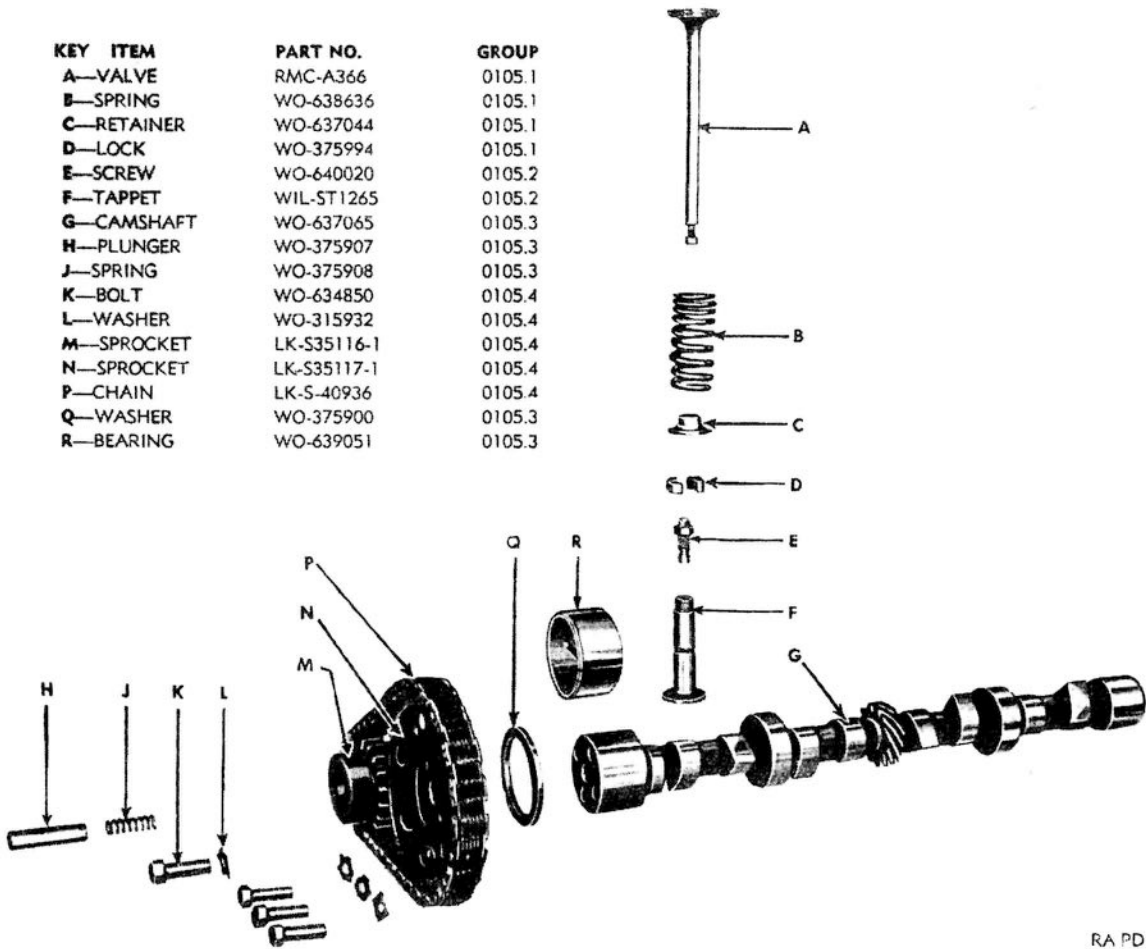
KEY ITEM	PART NO.	GROUP
A—RING	WO-639864	0104
B—RING	WO-637042	0104
C—RING	WO-116616	0104
D—PISTON	WO-636954	0104
E—WASHER	120382	0104
F—BOLT	WO-632157	0104
G—BOLT	WO-640070	0104.1
H—ROD, ASSY	WO-640071	0104.1
J—NUT	121949	0104.1
K—NUT	107824	0104.1
L—BEARING	WO-639862	0104.1
M—PIN	WO-636961	0104



RA PD 342261G

Figure 01-8. Piston and connecting rod—exploded view.

KEY ITEM	PART NO.	GROUP
A—VALVE	RMC-A366	0105.1
B—SPRING	WO-638636	0105.1
C—RETAINER	WO-637044	0105.1
D—LOCK	WO-375994	0105.1
E—SCREW	WO-640020	0105.2
F—TAPPET	WIL-ST1265	0105.2
G—CAMSHAFT	WO-637065	0105.3
H—PLUNGER	WO-375907	0105.3
J—SPRING	WO-375908	0105.3
K—BOLT	WO-634850	0105.4
L—WASHER	WO-315932	0105.4
M—SPROCKET	LK-S35116-1	0105.4
N—SPROCKET	LK-S35117-1	0105.4
P—CHAIN	LK-S-40936	0105.4
Q—WASHER	WO-375900	0105.3
R—BEARING	WO-639051	0105.3



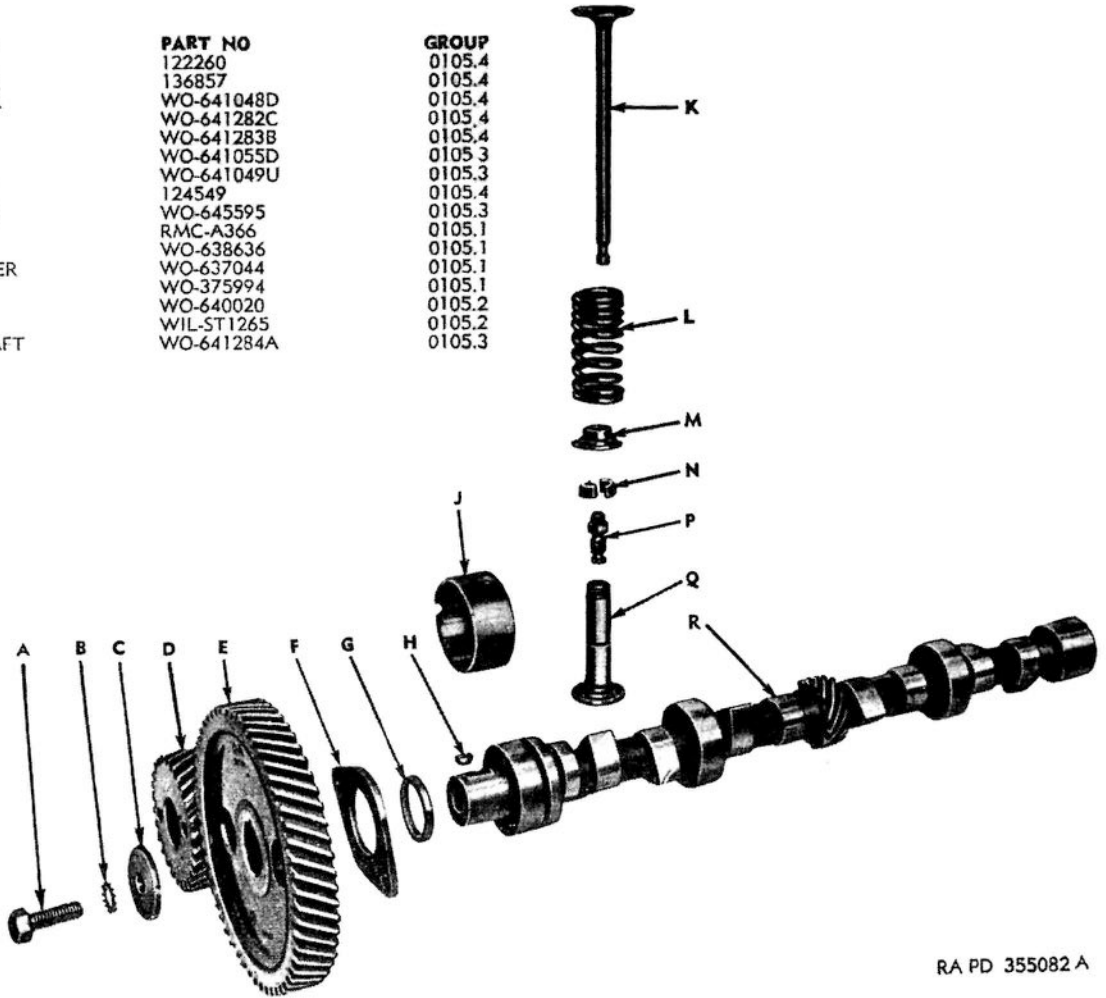
RA PD 342284G

Figure 01-9. Camshaft, timing chain, and valve—exploded view.

KEY ITEM
 A—SCREW
 B—WASHER
 C—WASHER
 D—GEAR
 E—GEAR
 F—PLATE
 G—SPACER
 H—KEY
 J—BEARING
 K—VALVE
 L—SPRING
 M—RETAINER
 N—LOCK
 P—SCREW
 Q—TAPPET
 R—CAMSHAFT

PART NO
 122260
 136857
 WO-641048D
 WO-641282C
 WO-641283B
 WO-641055D
 WO-641049U
 124549
 WO-645595
 RMC-A366
 WO-638636
 WO-637044
 WO-375994
 WO-640020
 WIL-ST1265
 WO-641284A

GROUP
 0105.4
 0105.4
 0105.4
 0105.4
 0105.4
 0105.3
 0105.3
 0105.4
 0105.3
 0105.1
 0105.1
 0105.1
 0105.1
 0105.2
 0105.2
 0105.3



RA PD 355082 A

Figure 01-10. Camshaft, timing gear, and valve—exploded view.

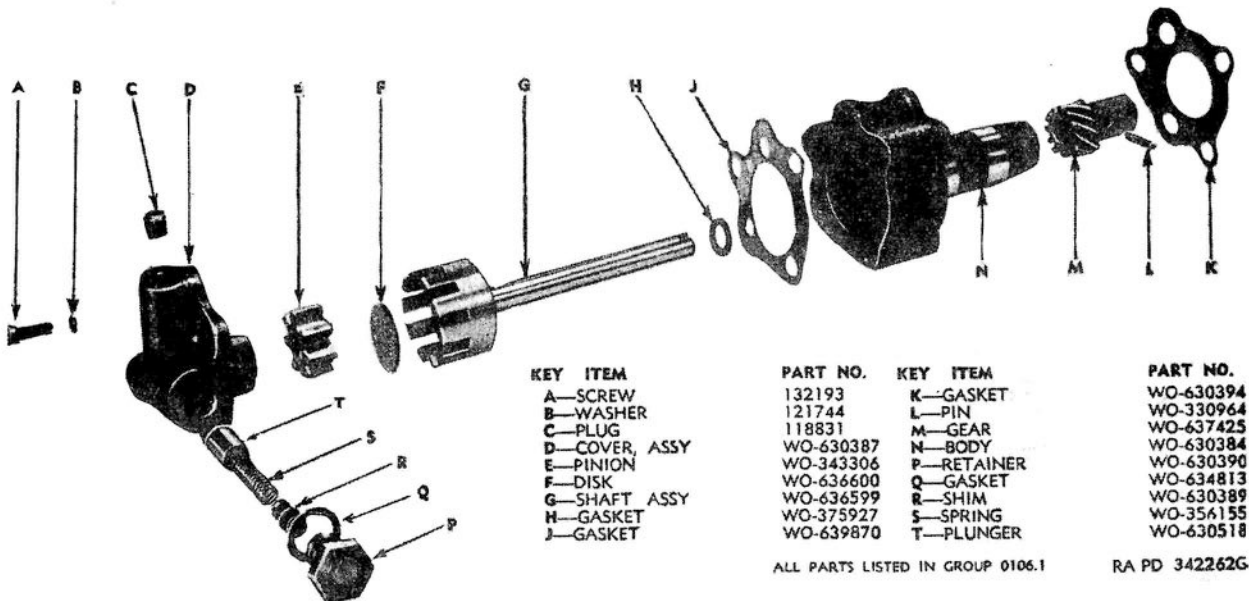


Figure 01-11. Oil pump (WO-637636)—exploded view.

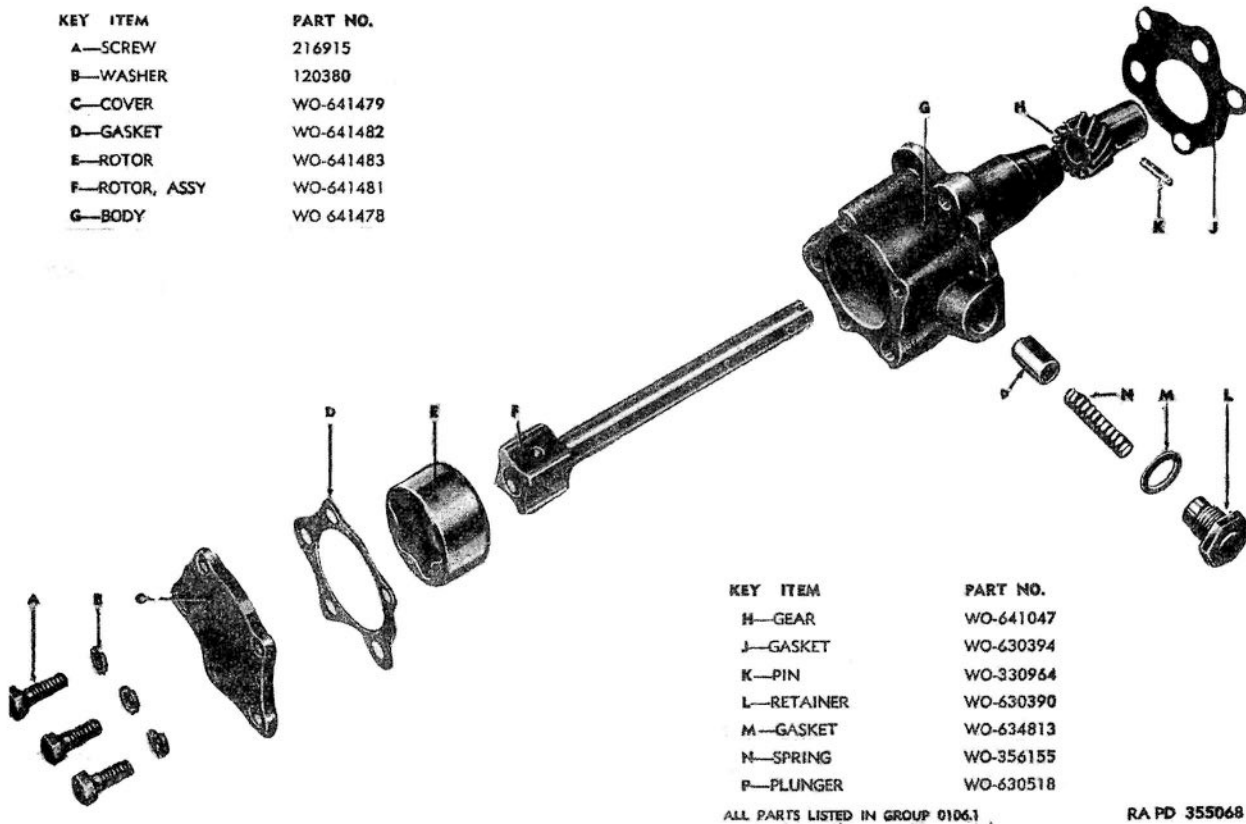
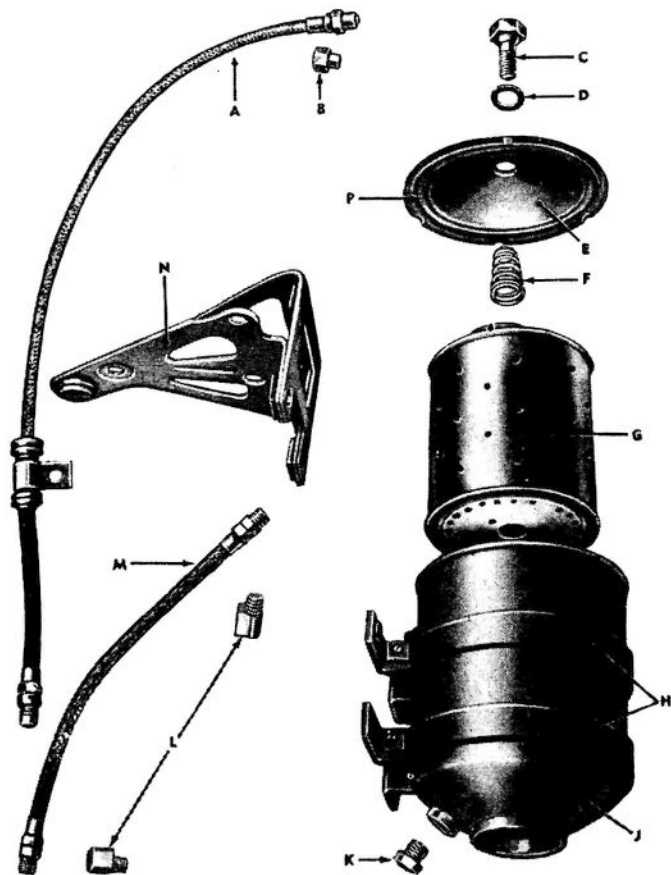


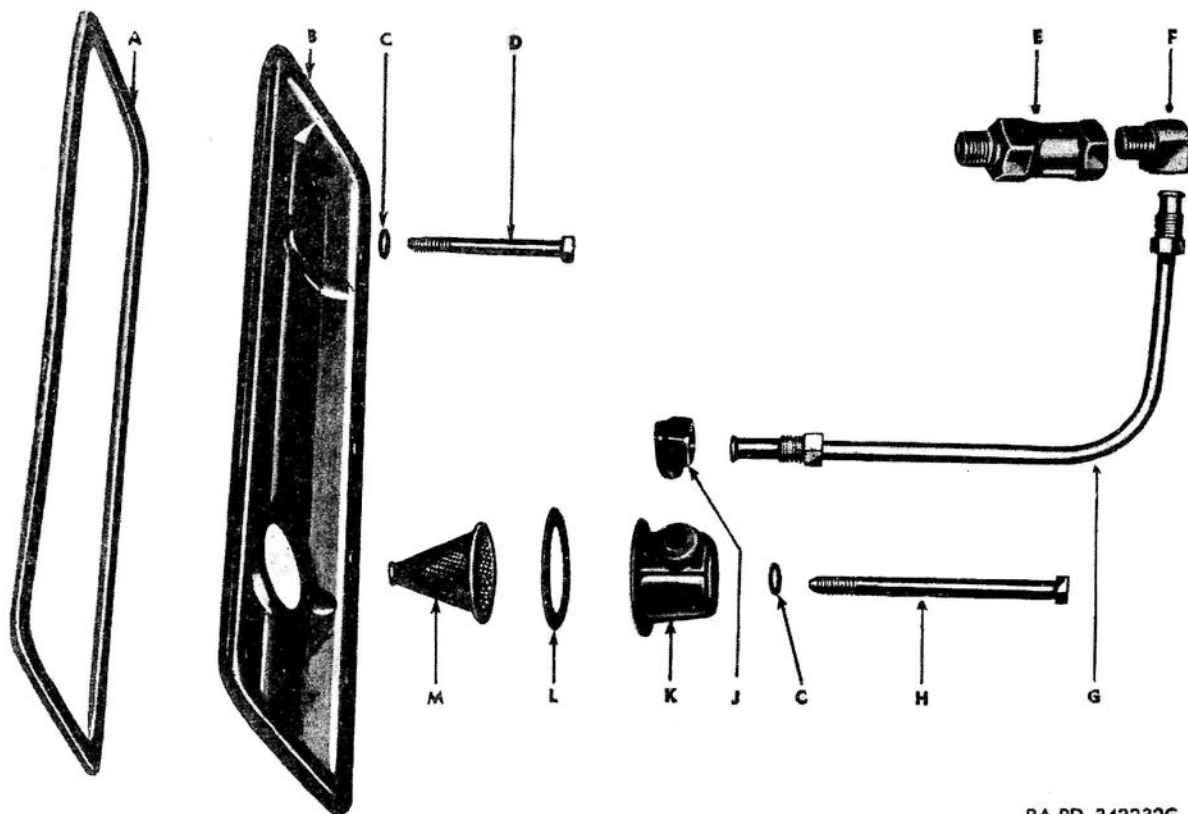
Figure 01-12. Oil pump (WO-641046C)—exploded view.



KEY ITEM	PART NO.	GROUP
A—LINE, ASSY	WO-A1197	0106.6
B—CONNECTOR	137405	0106.6
C—BOLT	PU-25755	0106.2
D—GASKET	PU-25756	0106.2
E—COVER	PU-25791	0106.2
F—SPRING	PU-25757	0106.2
G—ELEMENT, ASSY	PU-26637	0106.2
H—CLAMP, ASSY	WO-A1251	0106.2
J—CASE, ASSY	WO-A6818	0106.2
K—PLUG	PU-25795	0106.2
L—ELBOW	137421	0106.6
M—LINE, ASSY	WO-A1198	0106.6
N—BRACKET	WO-A1247	0106.2
P—GASKET	PU-25802	0106.2

RA PD 355083

Figure 01-13. Oil filter and lines—exploded view.



RA PD 342232G

KEY ITEM
 A—GASKET
 B—COVER
 C—GASKET
 D—BOLT
 E—VALVE, ASSY
 F—ELBOW

PART NO.
 WO-630305
 WO-630303
 WO-51875
 WO-639052
 WO-A6895
 143343

GROUP
 0105.1
 0105.1
 0105.1
 0105.1
 0106.5
 0106.5

KEY ITEM
 G—LINE, ASSY
 H—BOLT
 J—ELBOW
 K—VENTILATOR
 L—GASKET
 M—BAFFLE

PART NO.
 WO-A6922
 WO-632158
 137422
 WO-A6919
 WO-630299
 WO-630298

GROUP
 0106.5
 0105.1
 0106.5
 0106.5
 0106.5
 0106.5

Figure 01-14. Valve cover and ventilator—exploded view.

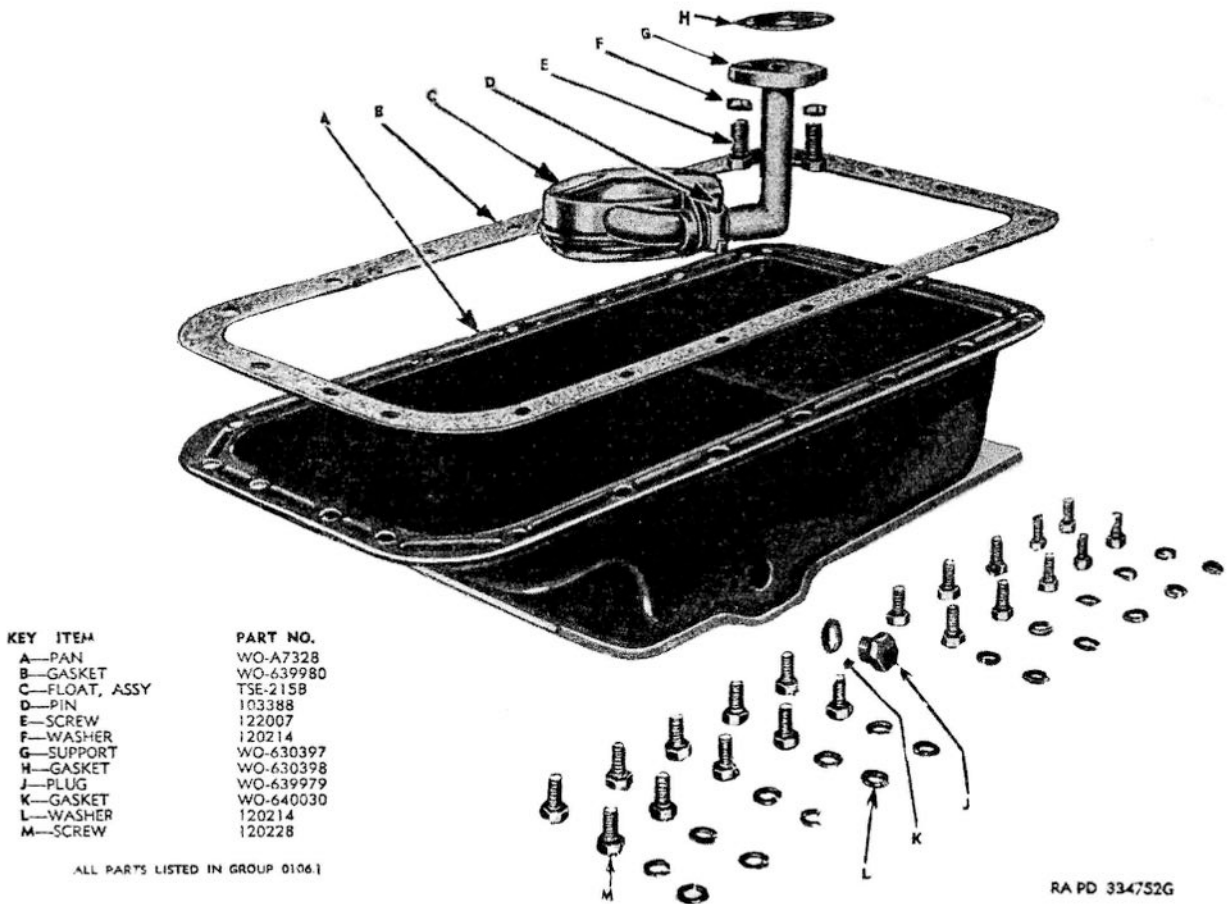
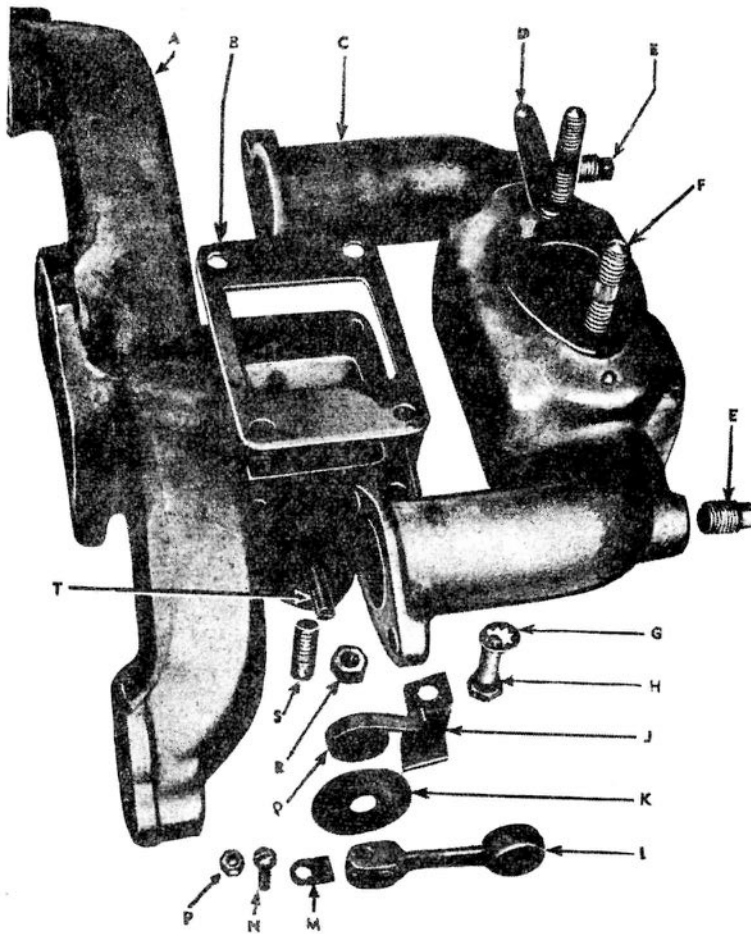


Figure 01-15. Oil pan and oil strainer—exploded view.



KEY ITEM	PART NO.	GROUP
A—{MANIFOLD ASSY	WO-A912	0108
B—GASKET	WO-634811	0108
C—{MANIFOLD ASSY	WO-A1166	0108
D—CLIP	WO-A1173	0312
E—PLUG	117244	0108
F—STUD	WO-632159	0301
G—WASHER	138538	0108
H—SCREW	215366	0108
J—STOP	WO-639743	0108
K—WASHER	WO-637209	0108
L—LEVER	WO-637210	0108
M—KEY	WO-637211	0108
N—SCREW	WO-5272	0108
P—NUT	WO-A1701	0108
Q—SPRING	WO-637208	0108
R—NUT	219432	0401
S—STUD	191992	0401
T—SHAFT	WO-637206	0108

RA PD 342268G

Figure 01-16. Manifolds and heat control—exploded view.

(1) NOTE SYMBOL	(2) STOCK NO.	(3) ORDNANCE PART NO.	(4) MFR'S PART NO.	(5) FIGURE NO.	(6) NOMENCLATURE	(7) UNIT OF MEAS- URE	(8) QUAN- TITY PER UNIT ASSEM- BLY
GROUP-01-ENGINE							
0100-ENGINE AND MOUNTING PARTS							
G-9	3320-GPW6043	-----	WO-A146 FM-GPW6043	-----	BRACKET, mounting, rear, assy-----	ea	1
H-1	H001-5420481	122104	-----	-----	SCREW, cap, hex-hd, S, cd or zn-pltd, 3/8-16NC-3 x 3/4.	ea	3
H-1	H001-5420521	122119	-----	-----	SCREW, cap, hex-hd, S, cd or zi-pltd, 3/8-16NC-3 x 3/4.	ea	1
H-1	H001-7025741	120382	-----	-----	WASHER, lock, med, S, cd or zn-pltd, 3/8 in--	ea	4
G-9	3320-GPW6044	-----	WO-A5125 FM-GPW6044	-----	CABLE, stay, assy-----	ea	1
H-1	H001-4027541	225831	-----	-----	NUT, hex, s-fin, light, S, cd or zn-pltd, 3/8-24NF-2.	ea	2
H-1	H001-4057591	107823	-----	-----	NUT, jam, stamped, hex, light, 9 notches, S, cd or zn-pltd, 3/8-24NF.	ea	2
H-1	H001-7025741	120382	-----	-----	WASHER, lock, med, S, cd or zn-pltd, 3/8 in--	ea	2
H-1	H001-7043741	120392	-----	-----	WASHER, plain, SAE std, S, cd or zn-pltg, 3/8 in.	ea	2
G-9	3320-GPW6005	-----	WO-A5497 FM-GPW6004 FM-GPW6005	-----	ENGINE, w/ACCESSORIES, assy (chain cam- shaft drive) (Includes fuel PUMP, CARBU- RETOR, DISTRIBUTOR, ignition COIL, spark PLUGS, oil PUMP and FILTER, water PUMP and THERMOSTAT, FAN and BELT, CLUTCH, flywheel HOUSING, GENERATOR and STARTER).	ea	1
G-9	9680-A1388	-----	WO-A1388	-----	ENGINE, w/ACCESSORIES, assy (chain cam- shaft drive) (Consists of the same parts as WO-A5497, less CLUTCH and flywheel HOUS- ING).	ea	1
	G503-7717241	7717241	WO-646865	-----	ENGINE, w/ACCESSORIES, assy (gear cam- shaft drive) (Includes fuel PUMP, CARBU- RETOR, ignition COIL, spark PLUGS, oil PUMP and FILTER, water PUMP and THERMOSTAT, FAN and BELT, CLUTCH, flywheel HOUSING GENERATOR and STARTER) (Superseded by ENGINE assy WO-647845).	ea	1

(1) NOTE SYMBOL	(2) STOCK NO.	(3) ORDNANCE PART NO.	(4) MFR'S PART NO.	(5) FIGURE NO.	(6) NOMENCLATURE	(7) UNIT OF MEAS- URE	(8) QUAN- TITY PER UNIT ASSEM- BLY
					GROUP 01—ENGINE—Continued		
					0100—ENGINE AND MOUNTING PARTS—Continued		
	G503-7743777	7743777	WO-647845	-----	ENGINE, w/ACCESSORIES, assy (gear cam- shaft drive, beginning w/Serial No. 142370) (Includes same parts as ENGINE assy WO- 646865).	ea	
G-9	3320-GPW6038	-----	WO-A542 FM-GPW6038	-----	INSULATOR, front support, assy (Superseded by INSULATOR WO-A7498.	ea	2
G-9	3320-GPW6038	-----	WO-A7498 FM-GPW6038A FM-GPW6038	01-1, 5	INSULATOR, front support, assy-----	ea	2
H-1	H001-4167561	120368	-----	-----	NUT, hex, light, s-fin, S, cd or zn-pltd, $\frac{5}{16}$ -24NF-2.	ea	4
H-1	H001-4167681	120371	-----	01-5	NUT, hex, light, s-fin, S, cd or zn-pltd, $\frac{1}{2}$ -20NF-2.	ea	2
H-1	H001-5419861	121661	-----	-----	SCREW, cap, hex-hd, S, cd or zin-pltd, $\frac{5}{16}$ -24NF-3 x 1 (Willys).	ea	4
H-1	H101-0215411	215411	-----	-----	SCREW, cap, hex-hd, S, cd or zn-pltd, $\frac{5}{16}$ -24NF-2 x $1\frac{1}{4}$ (Ford).	ea	4
H-1	H001-7025711	120214	-----	-----	WASHER, lock, med, S, cd or zn-pltg, $\frac{5}{16}$ in.	ea	4
H-1	H001-7025801	120384	-----	-----	WASHER, lock, med, S, cd or zn-pltg, $\frac{1}{2}$ in.	ea	2
G-9	3320-GPW6040A	-----	FM-GPW6040A	-----	INSULATOR, rear support (Superseded by IN- SULATOR WO-A6156).	ea	1
G-9	3320-GPW6040B	-----	WO-A6156 FM-GPW6040B	-----	INSULATOR, rear support-----	ea	1
H-1	H001-4027541	225831	-----	-----	NUT, hex, reg, s-fin, S, cd or zn-pltd, $\frac{3}{8}$ - 24NF-2.	ea	4
H-1	H001-7025741	120382	-----	-----	WASHER, lock, med, S, cd or zn-pltd, $\frac{3}{8}$ in.	ea	4
H-1	H001-7043741	120394	-----	-----	WASHER, plain, SAE std, S, cd or zn-pltd, $\frac{3}{8}$ in.	ea	2
		7713398	FM-GPWS6071	-----	REINFORCEMENT, bracket, front support, left (for vehicles w/12-volt electrical system).	ea	1
		7713405	FM-GPW6069	-----	REINFORCEMENT, bracket, front support, right (for vehicles w/12-volt electrical system).	ea	1
	G503-7368265	7368265	WO-A1051 FM-GPW6098	-----	SHIM, front support insulator-----	ea	†

				0101—ENGINE CYLINDER BLOCK AND HEAD	
			WO-A1272 FM-GPW6010	01-5	BLOCK, cylinder, assy----- ea 1
			WO-A6793 FM-GPW6009		BLOCK, cylinder, w/PISTONS, assy (Includes ea 1
H-6	H106-0103647 G503-0194018	103647			PISTONS, RINGS, camshaft BUSHINGS, bearing CAPS, piston PINS and valve GUIDES).
			WO-638678 FM-GPW6051	05-4	COCK, drain, tee-hdl, br, ¼ in. male pipe end. . . . ea 1
M-5	G503-7343162 G503-7741412	7343162 7741412	WO-A8558 FM-GPW6051B WO-638540B	01-5	GASKET, cylinder head (Superseded by GASKET WO-A8558) (for engines w/chain camshaft drive). ea 1
M-5	3320-GPW6050 G503-7741411		WO-A1534 FM-GPW6050 WO-641049D	01-3, 4, 5 05-4	GASKET, cylinder head (for engines w/gear camshaft drive). ea 1
G-9	3320-GPW6065		WO-638635 FM-GPW6065	05-4	HEAD, cylinder, assy (for engines w/chain cam- shaft drive). ea 1
M-5	G503-5333811	A333811	WO-638539 FM-351025S7-8		HEAD, cylinder (for engines w/gear camshaft drive). ea 1
M-5	3320-GPW6066		WO-349368 WO-A1549 FM-GPW6066		BOLT, hex-hd, alloy-S, 7/16-14NC (Superseded by STUD WO-349368). ea 1
M-5	3320-GPW6067		WO-A1548 FM-GPW6067		NUT, special hex, (1 1/16 in.) S, zn-pltd, 7/16- 20NF-4. ea 16
H-6	H006-0283805	219189			STUD, S, cd or zn-pltd, 7/16-14NC x 7/16-20NF x 3/16. ea 15
H-6	H006-0283800	219187			STUD, S, cd or zn-pltd, 7/16-14NC x 7/16- 20NF x 3/8. ea 1
H-6	H006-0282480	541402			PLUG, pipe, sq-hd, MI, black, ¼ in.----- ea 1
				01-5	PLUG, pipe, sq-hd, MI, black, ½ in.----- ea 4
					PLUG, expansion, S, 1 ¼ in. diam.----- ea 5
0102—ENGINE CRANKSHAFT AND RELATED PARTS					
			WO-645282		BOLT, crankshaft counterweight (Special, ¼- 20NF x 2 7/16) (for CRANKSHAFT WO-641128 only). ea 4
			WO-641128	01-7	CRANKSHAFT, w/bolted on COUNTER- WEIGHTS, assy (chain drive). ea 1
M-5	G503-7699040	7699040	WO-638121 FM-GPW6303A WO-624969	01-6	CRANKSHAFT, w/integral COUNTER- WEIGHTS (chain drive). ea 1
					CRANKSHAFT, w/dowel BOLTS, assy (Bolted on COUNTERWEIGHTS) (Includes CRANK- SHAFT assy WO-641128 and other parts same as in WO-A7568) (chain drive). ea 1

(1) NOTE SYMBOL	(2) STOCK NO.	(3) ORDNANCE PART NO.	(4) MFR'S PART NO.	(5) FIGURE NO.	(6) NOMENCLATURE	(7) UNIT OF MEAS- "RE	(8) QUAN- TITY PER UNIT ASSEM- BLY
GROUP 01—ENGINE—Continued							
0102—ENGINE CRANKSHAFT AND RELATED PARTS—Con.							
M-5	3320-GPW18288	-----	WO-A7568 FM-GPW18288	01-4	CRANKSHAFT, w/dowel BOLTS, assy (integral counterweights) (Includes one CRANKSHAFT WO-638121, two BOLTS WO-116295, two NUTS WO-52804 and two WASHERS WO-52330) (chain drive).	ea	1
	G503-7744473	7744474	WO-647078	-----	CRANKSHAFT, w/dowel BOLTS, assy (gear drive).	ea	1
M-5	3320-GPW6353	-----	WO-334103 FM-GPW6353	01-6, 7	GASKET, oil slinger (ru)-----	ea	1
M-5	3320-GPW6319	-----	WO-387633 FM-GPW6319	01-4, 6	NUT, crankshaft, front, w/PIN, assy-----	ea	1
M-5	3320-GPW6700	-----	WO-637098 FM-GPW6700	01-4, 5	PACKING, front end (in timing chain cover) (for engines w/chain camshaft drive).	ea	1
M-5	3320-GPW6702	-----	WO-637237 FM-GPW6702	01-4, 5	PACKING, rear end (in crankcase)-----	ea	2
M-5	3320-GPW6701	-----	WO-637790 FM-GPW6701	01-5	PACKING, rear bearing cap-----	ea	2
H-1	H001-0829596	112011	-----	01-4	PIN, stght, sq-ends, cold-fin-S, 1/8 x 3/8-----	ea	1
M-5	3320-GPW6326	-----	WO-630294 FM-GPW6326	01-4, 5	PIPE, drain, rear main bearing cap-----	ea	1
G-9	3320-GPW6312	-----	WO-638113 FM-GPW6312	01-4, 6	PULLEY, crankshaft, fan and generator drive (Used w/6-volt generator) (Superseded by PULLEY WO-645623B).	ea	1
	G503-7744470	7744470	WO-645623B	-----	PULLEY, crankshaft, fan and generator drive (Used w/6-volt generator).	ea	1
	G503-7713390	7713390	FM-GPWS6312	-----	PULLEY, crankshaft, fan and generator drive (Used w/12-volt generator).	ea	1
H-1	H001-0518022	124549	-----	01-6	KEY, Woodruff, S, 3/16 x 3/4-----	ea	1
M-5	3320-GPW6287	-----	WO-375920 FM-GPW6287	01-5	RETAINER, front packing-----	ea	1
M-5	3320-GPW6345	-----	WO-381519 FM-GPW6345	10-3, 5	SCREW, main bearing cap (special, hex-hd, 1/2-13NC x 2 3/8).	ea	6
H-1	H001-7025801	120384	-----	01-5	WASHER, lock, med, S, cd or zn-pltd, 1/2 in.	ea	6
	G503-7744469	7744469	WO-643839	-----	SEAL, oil, front (for engines w/gear camshaft drive).	ea	1

G-9	3320-GPW8240		WO-A1124 FM-GPW8240	01-1	SHIELD, crankshaft pulley	ea	1
M-5	3320-GPW6342B		WO-630262 FM-GPW6342B	01-6, 7	SHIM, adjusting, crankshaft, front (for engines w/gear camshaft drive).	ea	1
M-5	3320-GPW6310		WO-375877 FM-GPW6310	01-6, 7	SLINGER, oil, crankshaft, front	ea	1
	G503-7336451	7336451	WO-A1125 FM-356376S		WASHER, pulley shield (S, 1½ ID x ⅝ OD)	ea	6
	G503-7743818	7743818	WO-A6701		WASHER, pulley shield retaining bolt (S, ¼ ID x ⅝ OD x 0.005 thk).	ea	6
M-5	3320-GPW6308		WO-634796 FM-GPW6308	01-4, 6, 7	WASHER, thrust, crankshaft	ea	1
					0102.1—ENGINE MAIN BEARINGS		
			WO-645161	01-4, 5	BEARING, main, center, 2 halves, standard, assy. Composed of: 1 BEARING.	ea	1
M-5	3320-GPW6341A		WO-638731 FM-GPW6341A		1 BEARING.		
M-5	3320-GPW6339A		WO-638730 FM-GPW6339A		1 BEARING.		
M-5	3320-GPW6341A		WO-638731 FM-GPW6341A	01-6, 7	BEARING, main, center, lower half, standard	ea	1
M-5	3320-GPW6339A		WO-638730 FM-GPW6339A WO-645164	01-6, 7	BEARING, main, center, upper half, standard	ea	1
					BEARING, main, center, 2 halves, 0.010 under-size, assy. Composed of: 1 BEARING.	ea	1
M-5	3320-GPW6341B		WO-639238 FM-GPW6341B		1 BEARING.		
M-5	3320-GPW6339B		WO-639237 FM-GPW6339B		1 BEARING.		
M-5	3320-GPW6341B		WO-639238 FM-GPW6341B		BEARING, main center, lower half, 0.010 under-size.	ea	1
M-5	3320-GPW6339B		WO-639237 FM-GPW6339B WO-645167		BEARING, main center, upper half, 0.010 under-size.	ea	1
					BEARING, main, center, 2 halves, 0.020 under-size, assy. Composed of: 1 BEARING.	ea	1
M-5	3320-GPW6341C		WO-116528 FM-GPW6341C		1 BEARING.		
M-5	3320-GPW6339C		WO-116526 FM-GPW6339C		1 BEARING.		
M-5	3320-GPW6341C		WO-116528 FM-GPW6341C		BEARING, main, center, lower half, 0.020 under-size.	ea	1

(1) NOTE SYMBOL	(2) STOCK NO.	(3) ORDNANCE PART NO.	(4) MFR'S PART NO.	(5) FIGURE NO.	(6) NOMENCLATURE	(7) UNIT OF MEAS- URE	(8) QUAN- TITY PER UNIT ASSEM- BLY
GROUP 01—ENGINE—Continued							
0102.1—ENGINE MAIN BEARINGS—Continued							
M-5	3320-GPW6339C	-----	WO-116526 FM-GPW6339C WO-645170	-----	BEARING, main, center, upper half, 0.020 under- size.	ea	1
M-5	-----	-----	WO-116529 FM-GPW6341D	-----	BEARING, main, center, 2 halves, 0.030 undersize, assy. Composed of: 1 BEARING.	ea	1
M-5	3320-GPW6339D	-----	WO-116527 FM-GPW6339D	-----	1 BEARING.		
M-5	-----	-----	WO-116529 FM-GPW6341D	-----	BEARING, main, center, lower half, 0.030 under- size.	ea	1
M-5	3320-GPW6339D	-----	WO-116527 FM-GPW6339D WO-645160	01-4, 5	BEARING, main, center, upper half, 0.030 under- size. BEARING, main, front, 2 halves, standard, assy.	ea	1
M-5	3320-GPW6338A	-----	WO-637008 GM-GPW6338A	-----	Composed of: 1 BEARING.		
M-5	3320-GPW6333A	-----	WO-637007 FM-GPW6333A	-----	1 BEARING.		
M-5	3320-GPW6338A	-----	WO-637008 FM-GPW6338A	01-6, 7	BEARING, main, front, lower half, standard	ea	1
M-5	3320-GPW6333A	-----	WO-637007 FM-GPW6333A WO-645163	01-6, 7	BEARING, main, front, upper half, standard	ea	1
M-5	3320-GPW6338B	-----	WO-637725 FM-GPW6338B	-----	BEARING, main, front, 2 halves, 0.010 undersize, assy. Composed of: 1 BEARING.	ea	1
M-5	3320-GPW6333B	-----	WO-637724 FM-GPW6333B	-----	1 BEARING.		
M-5	3320-GPW6338B	-----	WO-637725 FM-GPW6338B	-----	BEARING, main, front, lower half, 0.010, under- size.	ea	1
M-5	3320-GPW6333B	-----	WO-637724 FM-GPW6333B	-----	BEARING, main, front, upper half, 0.010 under- size.	ea	1

			WO-645166		BEARING, main, front, 2 halves, 0.020 undersize assy.	ea	1
M-5	3320-GPW6338C		WO-116524 FM-GPW6338C		Composed of: 1 BEARING.		
M-5	3320-GPW6333C		WO-116522 FM-GPW6333C		1 BEARING.		
M-5	3320-GPW6338C		WO-116524 FM-GPW6338C		BEARING, main, front, lower half, 0.020 under-size.	ea	1
M-5	3320-GPW6333C		WO-116522 FM-GPW6333C WO-645169		BEARING, main, front, upper half, 0.020 under-size.	ea	1
					BEARING, main, front, 2 halves, 0.030 under-size, assy.	ea	1
M-5	3320-GPW6338D		WO-116525 FM-GPW6338D		Composed of: 1 BEARING.		
M-5			WO-116523 FM-GPW6333D		1 BEARING.		
M-5	3320-GPW6338D		WO-116525 FM-GPW6338D		BEARING, main, front, lower half, 0.030 under-size.	ea	1
M-5			WO-116523 FM-GPW6333D WO-645162	01-4, 5	BEARING, main, front, upper half, 0.030 under-size.	ea	1
					BEARING, main, rear, 2 halves, standard, assy.	ea	1
M-5	3320-GPW6337A		WO-638733 FM-GPW6337A		Composed of: 1 BEARING.		
M-5	3320-GPW6331A		WO-638732 FM-GPW6331A		1 BEARING.		
M-5	3320-GPW6337A		WO-638733 FM-GPW6337A	01-6, 7	BEARING, main, rear, lower half, standard	ea	1
M-5	3320-GPW6331A		WO-638732 FM-GPW6331A WO-645165	01-6, 7	BEARING, main, rear, upper half, standard	ea	1
					BEARING, main, rear, 2 halves, 0.010 undersize, assy.	ea	1
M-5	3320-GPW6337B		WO-639240 FM-GPW6337B		Composed of: 1 BEARING.		
M-5	3320-GPW6331B		WO-639239 FM-GPW6331B		1 BEARING.		
M-5	3320-GPW6337B		WO-639240 FM-GPW6337B		BEARING, main, rear, lower half, 0.010 under-size.	ea	1
M-5	3320-GPW6331B		WO-639239 FM-GPW6331B		BEARING, main, rear, upper half, 0.010 under-size.	ea	1

(1) NOTE SYMBOL	(2) STOCK NO.	(3) ORDNANCE PART NO.	(4) MFR'S PART NO.	(5) FIGURE NO.	(6) NOMENCLATURE	(7) UNIT OF MEAS- URE	(8) QUAN- TITY PER UNIT ASSEM- BLY
					GROUP 01—ENGINE—Continued		
					0102.1—ENGINE MAIN BEARINGS—Continued		
			WO-645168	-----	BEARING, main, rear, 2 halves, 0.020 undersize, assy.	ea	1
M-5	3320-GPW6337C	-----	WO-116532 FM-GPW6337C	-----	Composed of: 1 BEARING.		
M-5	3320-GPW6331C	-----	WO-116530 FM-GPW6331C	-----	1 BEARING.		
M-5	3320-GPW6337C	-----	WO-116532 FM-GPW6337C	-----	BEARING, main, rear, lower half, 0.020 undersize.	ea	1
M-5	3320-GPW6331C	-----	WO-116530 FM-GPW6331C	-----	BEARING, main, rear, upper half, 0.020 undersize.	ea	1
			WO-645171	-----	BEARING, main, rear, 2 halves, 0.030 undersize, assy.	ea	1
M-5	3320-GPW6337D	-----	WO-116533 FM-GPW6337D	-----	Composed of: 1 BEARING.		
M-5	3320-GPW6331D	-----	WO-116531 FM-GPW6331D	-----	1 BEARING.		
M-5	3320-GPW6337D	-----	WO-116533 FM-GPW6337D	-----	BEARING, main, rear, lower half, 0.030 undersize.	ea	1
M-5	3320-GPW6331D	-----	WO-116531 FM-GPW6331D	-----	BEARING, main, rear, upper half, 0.030 undersize.	ea	1
M-5	3320-GPW18347	-----	WO-A6798 FM-GPW18347	-----	BEARING SET, main, standard size.	ea	1
			WO-645160	-----	Composed of: 1 BEARING, assy.		
			WO-645161	-----	1 BEARING, assy.		
			WO-645162	-----	1 BEARING, assy.		
M-5	3320-GPW18348	-----	WO-A6746 FM-GPW18348	-----	BEARING SET, main, 0.010 undersize.	ea	1
			WO-645163	-----	Composed of: 1 BEARING, assy.		
			WO-645164	-----	1 BEARING, assy.		
			WO-645165	-----	1 BEARING, assy.		

M-5	3320-GPW18349		WO-A6747 FM-GPW18349		BEARING SET, main, 0.020 undersize.....	ea	1
			WO-645166 WO-645167 WO-645168		Composed of: 1 BEARING, assy. 1 BEARING, assy. 1 BEARING, assy.		
M-5	3320-GPW18350		WO-A6748 FM-GPW18350		BEARING SET, main, 0.030 undersize.....	ea	1
			WO-645169 WO-645170 WO-645171		Composed of: 1 BEARING, assy. 1 BEARING, assy. 1 BEARING, assy.		
M-5	3320-GPW6369		WO-635377 FM-GPW6369	01-3, 6, 7	PIN, dowel, main bearing.....	ea	6
					0103-ENGINE FLYWHEEL AND RING GEAR		
M-5	3320-GPW6375		WO-A1443 FM-GPW6375	01-7	BEARING, pilot, clutch (See sub-group 0201) FLYWHEEL, w/ring GEAR, assy.....	ea	1
M-5	G503-7324840	7324840	WO-632157 FM-355497S	01-6, 7	BOLT, hex-hd, S, $\frac{3}{8}$ -24NF-2 x $1\frac{1}{2}$	ea	4
M-5	3320-GPW6390		WO-116295 FM-GPW6390	01-6	BOLT, special head, S, $\frac{1}{2}$ -20NF-2 x $1\frac{1}{8}$	ea	2
H-1	H001-4167601	120369			NUT, hex, light, s-fin, S, cd or zn-pltd, $\frac{3}{8}$ - 24NF-2.	ea	4
H-1	H101-0122299	122299			NUT, jam, hex, light, s-fin, S, cd or zn-pltd, $\frac{1}{2}$ -20NF-3.	ea	2
H-1	H001-7021801	138542			WASHER, lock, int-teeth, reg, S, cd or zn- pltd, $\frac{3}{8}$ in.	ea	4
H-1	H001-7021861	138549			WASHER, lock, int-teeth, reg, S, cd or zn- pltd, $\frac{1}{2}$ in.	ea	2
G-9	3320-GPW18289		WO-A7503 FM-GPW18289	01-4	FLYWHEEL, w/ring GEAR and dowel BOLTS, assy (Includes FLYWHEEL WO-A1443, 2 BOLTS WO-116295, 2 NUTS WO-52804 and 2 WASHERS WO-52330).	ea	1
M-5	3320-GPW6384		WO-635394 FM-GPW6384	01-4, 7	GEAR, ring (S, 97T, 10.98 ID, 12.185 OD, $\frac{3}{8}$ face) ..	ea	1
G-9	3320-GPW6392		WO-A439 FM-GPW6392	01-1	HOUSING, flywheel.....	ea	1
M-5	3320-355597S		WO-630101 FM-355597S		BOLT, hex-hd, S, $\frac{3}{8}$ -24NF x $2\frac{1}{2}$ (dowel)	ea	2
H-1	H001-4167601	120369			NUT, hex, light, s-fin, S, cd or zn-pltd, $\frac{3}{8}$ - 24NF-2.	ea	8
H-1	H101-0216318	216318			SCREW, cap, hex-hd, S, cd or zn-pltd, $\frac{3}{8}$ - 24NF-2 x $1\frac{1}{8}$.	ea	4
H-1	H101-0429037	429037			SCREW, cap, hex-hd, S, cd or zn-pltd, $\frac{3}{8}$ - 24NF-2 x $1\frac{1}{8}$.	ea	2
H-1	H001-7025741	120382			WASHER, lock, med, S, cd or zn-pltd, $\frac{3}{8}$ in. ..	ea	8

(1) NOTE SYMBOL	(2) STOCK NO.	(3) ORDNANCE PART NO.	(4) MFR'S PART NO.	(5) FIGURE NO.	(6) NOMENCLATURE	(7) UNIT OF MEAS- URE	(8) QUAN- TITY PER UNIT ASSEM- BLY
GROUP 01—ENGINE—Continued							
0103 ENGINE FLYWHEEL AND RING GEAR—Continued							
M-5	3320-GPW6387	-----	WO-632156 FM-GPW6387	01-7	PIN, dowel, tapered (Used in place of BOLTS WO-116295).	ea	2
M-5	3320-GPW7007	-----	WO-A5121 FM-GPW7007	01-4, 5	PLATE, cylinder block to flywheel housing (for engines w/chain camshaft drive).	ea	1
	G503-7741425	7741425	WO-642280B	-----	PLATE, cylinder block to flywheel housing (for engines w/gear camshaft drive).	ea	1
H-6	H006-0282440	501593	-----	-----	PLUG, expansion, S, $\frac{3}{4}$ in. diam	ea	1
0104 ENGINE PISTONS AND PISTON RINGS							
M-5	3320-GPW6135A	-----	WO-636961 FM-GPW6135A	01-4, 8	PIN, piston, standard size	ea	4
M-5	3320-GPW6135D	-----	WO-116003 FM-GPW6135D	-----	0.003 in. oversize	ea	4
H-1	H001-7025741	120382	-----	01-8	BOLT, hex-hd, S, $\frac{3}{8}$ -24NF-2 x $1\frac{1}{32}$	ea	4
M-5	G503-7324840	7324840	WO-632157 FM-355497S	01-8	WASHER, lock, med, S, cd or zn-pltd, $\frac{3}{8}$ in	ea	4
G-9	3320-GPW6210A	-----	WO-636954 FM-GPW6110A	01-4, 8	PISTON, standard	ea	4
G-9	3320-GPW6110C	-----	WO-116021 FM-GPW6110C	-----	0.020 oversize	ea	4
G-9	3320-GPW6110D	-----	WO-116022 FM-GPW6110D	-----	0.030 oversize	ea	4
M-5	3320-GPW6105A	-----	WO-637041 FM-GPW6105A	01-3	PISTON, w/PIN, standard, assy	ea	4
M-5	3320-GPW6105C	-----	WO-116019 FM-GPW6105C	-----	0.020 oversize	ea	4
G-9	3320-GPW6105D	-----	WO-116020 FM-GPW6105D	-----	0.030 oversize	ea	4
M-5	G503-7329276	7329276	WO-116701 FM-GPW6105F	-----	0.040 oversize	ea	4

			WO-116616	01-8	RING, piston, bottom groove, standard.....	ea	4
			FM-GPW6156F				
			WO-116116		0.020 oversize.....	ea	4
			FM-GPW6156H				
			WO-116117		0.030 oversize.....	ea	4
			FM-GPW6156J				
			WO-116705		0.040 oversize.....	ea	4
			FM-GPW6156K				
			WO-637042	01-8	RING, piston, second groove, standard.....	ea	4
			FM-GPW6155A				
			WO-116023		0.020 oversize.....	ea	4
			FM-GPW6155G				
			WO-116024		0.030 oversize.....	ea	4
			FM-GPW6155H				
			WO-116704		0.040 oversize.....	ea	4
			FM-GPW6155J				
			WO-639864	01-8	RING, piston, top groove, standard.....	ea	4
			FM-GPW6150A				
			WO-116502		0.020 oversize.....	ea	4
			FM-GPW6150C				
			WC-116503		0.030 oversize.....	ea	4
			FM-GPW6150D				
			WO-116703		0.040 oversize.....	ea	4
			FM-GPW6150E				
M-5	3320-GPW6149E		WO-A6794		RING SET, piston, standard.....	ea	1
			FM-GPW6149E				
			WO-116616		Composed of:		
			FM-GPW6156F		4 RING.		
			WO-637042				
			FM-GPW6155A		4 RING.		
			WO-639864				
			FM-GPW6150A		4 RING.		
M-5	G503-7330714	7330714	WO-A6796		RING SET, piston, 0.020 oversize.....	ea	1
			FM-GPW6149G				
			WO-116116		Composed of:		
			FM-GPW6156H		4 RING.		
			WO-116023				
			FM-GPW6155G		4 RING.		
			WO-116502				
			FM-GPW6150C		4 RING.		

(1) NOTE SYMBOL	(2) STOCK NO.	(3) ORDNANCE PART NO.	(4) MFR'S PART NO.	(5) FIGURE NO.	(6) NOMENCLATURE	(7) UNIT OF MEAS- URE	(8) QUAN- TITY PER UNIT ASSEM- BLY
GROUP 01—ENGINE—Continued							
0104—ENGINE PISTONS AND PISTON RINGS—Continued							
G-9	3320-GPW6149H	-----	WO-A6797 FM-GPW6149H	-----	RING SET, piston, 0.030 oversize-----	ea	1
			WO-116117 FM-GPW6156J	-----	Composed of: 4 RING.		
			WO-116024 FM-GPW6155H	-----	4 RING.		
			WO-116503 FM-GPW6150D	-----	4 RING.		
M-5	G503-7329277	7329277	WO-A15283 FM-GPW6149J	-----	RING SET, piston, 0.040 oversize-----	ea	1
			WO-116705 FM-GPW6156K	-----	Composed of: 4 RING.		
			WO-116704 FM-GPW6155J	-----	4 RING.		
			WO-116703 FM-GPW6150E	-----	4 RING.		
0104.1—ENGINE CONNECTING RODS AND BEARINGS							
M-5	3320-GPW6211A	-----	WO-639862 FM-GPW6211A	01-8	BEARING, connecting rod, half, standard-----	ea	8
M-5	3320-GPW18330A	-----	WO-A7233 FM-GPW18330A	-----	BEARING, connecting rod, 2 halves, standard, assy.	ea	4
M-5	3320-GPW6211B	-----	WO-116534 FM-GPW6211B	-----	BEARING, connecting rod, half, 0.010 undersize--	ea	8
M-5	3320-GPW18330B	-----	WO-A7234 FM-GPW18330B	-----	BEARING, connecting rod, 2 halves, 0.010 un- dersize, assy.	ea	4
M-5	3320-GPW6211C	-----	WO-116535 FM-GPW6211C	-----	BEARING, connecting rod, half, 0.020 undersize--	ea	8
M-5	3320-GPW18330C	-----	WO-A7235 FM-GPW18330C	-----	BEARING, connecting rod, 2 halves, 0.020 un- dersize, assy.	ea	4
M-5	-----	-----	WO-116536 FM-GPW6211D	-----	BEARING, connecting rod, half, 0.030 undersize--	ea	8
	G503-7704100	7704100	WO-A7236 FM-GPW18330D	-----	BEARING, connecting rod, 2 halves, 0.030 un- dersize, assy.	ea	4

	G503-7324874	7324874	WO-637020	01-4	BOLT, connecting rod cap ($\frac{1}{16}$ -20NF x 2 $\frac{1}{2}$, head w/two flat sides).	ea	8
M-5	9680-640070	-----	WO-640070	01-8	BOLT, connecting rod cap ($\frac{1}{16}$ -20NF x 2 $\frac{1}{2}$, off-set head).	ea	8
H-1	H001-4171641	121949	-----	01-8	NUT, hex, light, s-fin, S, cd or zn-pltd, $\frac{1}{16}$ -20NF-3.	ea	8
H-1	H001-4057621	107824	-----	01-4, 8	NUT, jam, stamped, hex, light, 9-notch, S, cd or zn-pltd, $\frac{1}{16}$ -20NF.	ea	8
	G503-7744471	7744471	WO-641768	-----	BOLT, connecting rod cap (For RODS WO-641774 and WO-641775 only).	ea	8
	G503-7744472	7744472	WO-641769	-----	NUT, hex, $\frac{1}{8}$ -24NF-3.	ea	8
H-1	H001-7057591	107823	-----	-----	NUT, jam, stamped, hex, light, 9-notch, S, cd or zn-pltd, $\frac{1}{8}$ -24NF.	ea	8
M-5	3320-GPW6200	-----	FM-GPW6200	-----	ROD, connecting, cylinders 1 and 3, w/o BEARING, assy (Superseded by ROD 7743751).	ea	2
	G503-7744952	7744952	WO-639999	-----	ROD, connecting, cylinders 1 and 3, w/o BEARING, assy (Superseded by ROD 7743751).	ea	2
	G503-7744951	7744951	WO-640071	01-8	Rod, connecting, cylinders 1 and 3, w/o BEARING, assy (Superseded by ROD 7743751).	ea	2
	G503-7743751	7743751	WO-641774	-----	ROD, connecting, cylinders 1 and 3, w/o BEARING, assy.	ea	2
M-5	3320-GPW6201	-----	FM-GPW6201	-----	ROD, connecting, cylinders 2 and 4, w/o BEARING, assy (Superseded by ROD 7743752).	ea	2
	G503-7744950	7744950	WO-640000	-----	ROD, connecting, cylinders 2 and 4, w/o BEARING, assy (Superseded by ROD 7743752).	ea	2
	G503-7744949	7744949	WO-640072	01-3, 4	ROD, connecting, cylinders 2 and 4, w/o BEARING, assy (Superseded by ROD 7743752).	ea	2
	G503-7743752	7743752	WO-641775	-----	ROD, connecting, cylinders 2 and 4, w/o BEARING, assy.	ea	2
	G503-7343079	7343079	WO-639858	-----	ROD, connecting, cylinders 1 and 3, w/BEARING, assy.	ea	2
	G503-7712500	7712500	WO-639859	-----	ROD, connecting, cylinders 2 and 4, w/BEARING, assy.	ea	2
	G503-7741416	7741416	WO-641835B	-----	ROD, connecting, cylinders 1 and 3, w/PISTON, assy.	ea	2
	G503-7741417	7741417	WO-641839	-----	ROD, connecting, cylinders 2 and 4, w/PISTON, assy.	ea	2
	G503-7368266	7368266	WO-639044 FM-GPW6519	-----	0105.1-ENGINE VALVES, SPRINGS AND GUIDES COVER, valve springs (Superseded by COVER WO-630303).	ea	1

(1) NOTE SYMBOL	(2) STOCK NO.	(3) ORDNANCE PART NO.	(4) MFR'S PART NO.	(5) FIGURE NO.	(6) NOMENCLATURE	(7) UNIT OF MEAS- URE	(8) QUAN- TITY PER UNIT ASSEM- BLY
GROUP 01—ENGINE—Continued							
0105.1—ENGINE VALVES, SPRINGS, AND GUIDES—Continued							
G-9	3320-GPW6520	-----	WO-630303 FM-GPW6520	01-3, 14	COVER, valve springs-----	ea	1
	G503-7741421	7741421	WO-645094D	-----	BOLT, hex-hd, S, $\frac{5}{16}$ -18NC x $2\frac{1}{16}$ (late engines, front).	ea	1
M-5	G503-7324839	7324839	WO-639052 FM-355452S	01-14	BOLT, hex-hd, S, $\frac{5}{16}$ -18NC x $3\frac{1}{16}$ (early engines, rear).	ea	1
	G503-7741420	7741420	WO-645093D	-----	BOLT, hex-hd, S, $\frac{5}{16}$ -18NC x $3\frac{1}{16}$ (late engines, rear).	ea	1
M-5	G503-7324838	7324838	WO-632158 FM-355451S	01-3, 14	BOLT, hex-hd, S, $\frac{5}{16}$ -18NC x $4\frac{1}{8}$ (early engines, front).	ea	1
M-5	G503-0194022	-----	WO-630305 FM-GPW6521	01-14	GASKET, valve cover-----	ea	1
M-5	G503-0194032	-----	WO-51875 FM-GPW6555A	01-14	GASKET, valve cover bolt-----	ea	2
M-5	3320-GPW6510B	-----	WO-375811 FM-GPW6510 FM-GPW6510B	01-3	GUIDE, exhaust valve stem-----	ea	4
M-5	3320-GPW6511B	-----	WO-637045 FM-GPW6511 FM-GPW6511B	01-4	GUIDE, intake valve stem-----	ea	4
M-5	3320-GPW6546	-----	WO-375994 FM-GPW6546	01-9, 10	LOCK, valve spring retainer (half)-----	ea	16
M-5	3320-GPW6514	-----	WO-637044 FM-GPW6514	01-9, 10	RETAINER, valve spring, lower-----	ea	8
M-5	3320-GPW6513	-----	WO-638636 FM-GPW6513	01-3, 4, 9, 10	SPRING, valve-----	ea	8
M-5	G503-7036580	7036580	RMC-A366 WO-637183 FM-GPW6505	01-3, 4, 9, 10	VALVE, exhaust-----	ea	4
M-5	G503-7036579	7036579	RMC-A365 WO-637182 FM-GPW6507	01-4	VALVE, intake-----	ea	4
0105.2—ENGINE VALVE TAPPETS							
			WO-375910 FM-355571S	-----	NUT, valve tappet adjusting screw ($\frac{3}{8}$ -24NF)-----	ea	8

M-5	3320-GPW6549B		WO-637048 FM-GPW6349		SCREW, adjusting, valve tappet (Superseded by SCREW WO-640020).	ea	8
M-5	3320-GPW6549B		WO-640020 FM-GPW6549B	01-4, 9, 10	SCREW, adjusting, valve tappet (self locking)....	ea	8
M-5	3320-GPW6500A		WIL-ST1265 WO-637047 FM-GPW6500A	01-4, 9, 10	TAPPET, valve, standard.....	ea	8
	G503-7743569	7743569	WO-115948 FM-GPW6500B		TAPPET, valve, 0.004 oversize.....	ea	8
G-9	3320-GPW6552B		WO-640019 FM-GPW6552B		TAPPET, valve, w/adjusting SCREW, assy.....	ea	8
0105.3—ENGINE CAMSHAFT, BEARINGS, AND SPACERS							
G-9	3320-GPW6262A		WO-639051 FM-GPW6262A	01-4, 5, 9	BEARING, bushing type, front (chain driven camshaft).	ea	1
	G503-7744319	7744319	WO-645595	01-10	BEARING, bushing type, front (gear driven camshaft).	ea	1
M-5	G503-0131476		WO-637065 FM-GPW6250	01-4, 9	CAMSHAFT, assy (chain driven).....	ea	1
	G503-7741418	7741418	WO-641284A	01-10	CAMSHAFT, assy (gear driven).....	ea	1
	G503-7741408	7741408	WO-641055D	01-10	PLATE, thrust (gear driven camshaft) (Superseded by PLATE WO-644963D).	ea	1
	G503-7744320	7744320	WO-644963D		PLATE, thrust (gear driven camshaft).....	ea	1
H-1	H001-5026721	214386			SCREW, cap, hex-hd, S, cd or zn-pltd, 3/8-16NC-2 x 3/4.	ea	2
H-1	H001-7025741	120382			WASHER, lock, med, S, cd or zn-pltd, 3/8 in.	ea	2
H-6	H006-0282510	541410			PLUG, expansion, S, 1 1/4 in. diam (camshaft).....	ea	1
M-5	3320-GPW6243		WO-375907 FM-GPW6243	01-4, 9	PLUNGER, thrust (chain driven only).....	ea	1
	G503-7741407	7741407	WO-641049U	01-10	SPACER, thrust plate (gear driven only).....	ea	1
M-5	3320-GPW6244		WO-375908 FM-GPW6244	01-9	SPRING, thrust plunger (chain driven only).....	ea	1
	G503-7744246	7744246	WO-630364 FM-GPW6285		STUD, thrust plunger (in timing chain cover)....	ea	1
M-5	3320-GPW6245		WO-375900 FM-GPW6245	01-4, 9	WASHER, thrust (chain driven only).....	ea	1
0105.4—ENGINE CAMSHAFT DRIVE AND TIMING GEAR COVER							
M-5	G503-7036574	7036574	LK-S-40936 WO-638457 FM-GPW6260	01-4, 9	CHAIN, drive camshaft.....	ea	1
G-9	3320-GPW6016		FM-GPW6016		COVER, timing chain, assy (Superseded by COVER WO-A1190) (chain driven only).	ea	1

(1) NOTE SYMBOL	(2) STOCK NO.	(3) ORDNANCE PART NO.	(4) MFR'S PART NO.	(5) FIGURE NO.	(6) NOMENCLATURE	(7) UNIT OF MEAS- URE	(8) QUAN- TITY PER UNIT ASSEM- BLY
GROUP 01—ENGINE—Continued							
0105.4—ENGINE CAMSHAFT DRIVE AND TIMING GEAR COVER—Continued							
A ^r -5	3320-GPW6054	-----	WO-A1190 FM-GPW6054	01-1, 4, 5	COVER, timing chain, assy (chain driven only)---	ea	1
H-1	H001-4027541	225831	-----	-----	NUT, hex, light, reg, s-fin, S, cd or zn-pltd, 3/8-24NF-2.	ea	6
H-1	H001-1312481	113237	-----	-----	STUD, S, cd or zn-pltd, 3/8-16NC x 3/8-24NF-2 x 1 1/16.	ea	6
H-1	H001-7025741	120382	-----	-----	WASHER, lock, med, S, cd or zn-pltd, 3/8 in.	ea	6
	G503-7741409	7741409	WO-643842B	-----	COVER, timing gear, assy (gear driven only)----	ea	1
H-1	H001-4027541	225831	-----	-----	NUT, hex, light, reg, s-fin, S, cd or zn-pltd, 3/8-24NF-2.	ea	10
H-1	H001-5421220	100025	-----	-----	SCREW, cap, hex-hd, S, 3/8-24NF-3 x 3/4	ea	3
H-1	H001-5421260	100026	-----	-----	SCREW, cap, hex-hd, S, 3/8-24NF-3 x 1	ea	1
H-1	H001-1312481	113237	-----	-----	STUD, S, cd or zn-pltd, 3/8-16NC x 3/8-24NF-2 x 1 1/16.	ea	6
H-1	H001-7025741	120382	-----	-----	WASHER, lock, med, S, cd or zn-pltd, 3/8 in.	ea	10
G-9	3320-GPW7023	-----	WO-375217 FM-GPW7023	-----	COVER, timing hole (on flywheel housing)-----	ea	1
M-5	3320-GPW6020	-----	WO-630359 FM-GPW6020	01-5	GASKET, front plate to cylinder block (for PLATE WO-A1463).	ea	1
	G503-7741427	7741427	WO-641096B	-----	GASKET, front plate to cylinder block (for PLATE WO641143A).	ea	1
M-5	3320-GPW6288	-----	WO-630365 FM-GPW6288	01-5	GASKET, timing chain cover-----	ea	1
	G503-7741415	7741415	WO-641282C	01-7, 10	GEAR, drive, camshaft (28T) (gear driven only) ..	ea	1
	G503-7741419	7741419	WO-641283B	01-10	GEAR, driven, camshaft (56T) (gear driven only) ..	ea	1
H-1	H001-0518022	124549	-----	01-7, 10	KEY, Woodruff, ni-S, 3/16 x 3/4-----	ea	1
H-1	H001-5421941	122260	-----	01-10	SCREW, cap, hex-hd, S, cd or zn-pltd, 7/16- 14NC-3 x 1 1/8.	ea	1
H-1	H001-7017711	136857	-----	01-10	WASHER, lock, ext-teeth, reg, S, cd or zn-pltd, 7/16 in.	ea	1
	G503-7741406	7741406	WO-641048D	01-10	WASHER, plain, special-----	ea	1
M-5	3320-GPW6031	-----	WO-A1463 FM-GPW6031 FM-GPW6031A3	01-5	PLATE, engine mounting, front, assy (under timing chain cover) (chain driven only).	ea	1

	G503-7741426	7741426	WO-641143A		PLATE, engine mounting, front, assy (under timing gear cover) (gear driven only)	ea	1
H-1	H001-4027541	225831			NUT, hex, light, reg, s-fin, S, cd or zn-pltd, $\frac{3}{8}$ -24NF-2.	ea	2
H-1	H001-1013030	193999			SCREW, cap, hex-hd, S, $\frac{3}{8}$ -16NC-2 x $\frac{3}{4}$	ea	3
H-1	H001-1312481	113237			STUD, S, cd or zn-pltd, $\frac{3}{8}$ -16NC x $\frac{3}{8}$ -24NF-2 x $1\frac{1}{2}$.	ea	2
H-1	H001-7025741	120382			WASHER, lock, med, S, cd or zn-pltd, $\frac{3}{8}$ in.	ea	5
			WO-375917		RING, retaining, timing chain cover packing	ea	1
			FM-GPW6286				
	G503-7741414	7741414	WO-641281D	01-7	SPACER, camshaft gear (gear driven only)	ea	1
G-9	3320-GPW6342A		WO-630727	01-6	SPACER, crankshaft sprocket (chain driven only)	ea	1
			FM-GPW6342A				
M-5	G503-7036572	7036572	LK-S35116-1	01-4, 6, 9	SPROCKET, crankshaft, 18 teeth (drive, chain drive only).	ea	1
			WO-638459				
H-1	H101-0124552	124552	FM-GPW6306	01-6	KEY, Woodruff, ni-S, $\frac{3}{16}$ x 1	ea	1
M-5	G503-7036571	7036571	LK-S35117-1	01-4, 9	SPROCKET, camshaft, 36 teeth (driven, chain drive only).	ea	1
			WO-638458				
			FM-GPW6256				
M-5	3320-355499S		WO-634850	01-9	BOLT, special (hex-hd, S, $\frac{3}{8}$ -24NF x $1\frac{1}{4}$)	ea	4
			FM-355499S				
M-5	3320-GPW6269		WO-315932	01-9	WASHER, lock, special ($\frac{3}{8}$ in.)	ea	4
			FM-GPW6269				
					0106.1-ENGINE OIL PUMP		
	G503-7744331	7744331	WO-645629		BEARING, bushing type, body (for PUMP WO-645631).	ea	1
			WO-630384	01-11	BODY (for PUMP WO-637636)	ea	1
			FM-GPW6604				
			WO-641478	01-12	BODY (for PUMP WO-641046C)	ea	1
			WO-645630		BODY, w/BEARING, assy (for PUMP WO-645631).	ea	1
M-5	3320-GPW6664		WO-630387	01-11	COVER, assy (for PUMP WO-637636)	ea	1
			FM-GPW6664				
H-1	H101-0132193	132193		01-11	SCREW, mach, fil-hd, S, cd or zn-pltd, No. 12-24NC-2 x $\frac{3}{8}$.	ea	2
H-1	H001-7025651	121744		01-11	WASHER, lock, med, S, cd or zn-pltd, No. 12	ea	2
	G503-7744332	7744332	WO-641479	01-12	COVER (for PUMPS WO-641046C and WO-645631).	ea	1
H-1	H001-5025511	216915		01-12	SCREW, cap, hex-hd, S, cd or zn-pltd, $\frac{1}{4}$ -20NC-2 x $\frac{3}{8}$.	ea	3
H-1	H001-7025681	120380		01-12	WASHER, lock, med, S, cd or zn-pltd, $\frac{1}{4}$ in.	ea	3
M-5	3320-GPW6673		WO-636600	01-03, 11	DISK, pump rotor (for PUMP WO-637636)	ea	1
			FM-GPW6673				
M-5	3320-GPW6619		WO-630392		GASKET, cover, 0.003 thk (for PUMP WO-637636).	ea	1
			FM-GPW6619				

(1) NOTE SYMBOL	(2) STOCK NO.	(3) ORDNANCE PART NO.	(4) MFR'S PART NO.	(5) FIGURE NO.	(6) NOMENCLATURE	(7) UNIT OF MEAS- URE	(8) QUAN- TITY PER UNIT ASSEM- BLY
GROUP 01—ENGINE—Continued							
0106.1—ENGINE OIL PUMP—Continued							
M-5	3320-GPW6659	-----	WO-639870	01-11	GASKET, cover, 0.010 thk (for PUMP WO-637636).	ea	1
	G503-7744324	7744324	FM-GPW6659 WO-641482	01-12	GASKET, cover (for PUMPS WO-641046C and WO-645631).	ea	1
M-5	G503-7744267	7744267	WO-380197	-----	GASKET, cover to body screw (cop.) (for PUMP WO-637636).	ea	1
			FM-355262S				
M-5	3320-GPW6625	-----	WO-375927	01-11	GASKET, pump shaft (for PUMP WO-637636)	ea	1
			FM-GPW6625				
M-5	3320-GPW6630	-----	WO-630394	01-11, 12	GASKET, pump to cylinder block	ea	1
			FM-GPW6630				
M-5	3320-GPW6642	-----	WO-634813	01-11, 12	GASKET, relief spring retainer	ea	1
			FM-GPW6642				
	G503-7744333	7744333	WO-641047	01-12	GEAR, driven (for PUMPS WO-641046C and WO-645631).	ea	1
M-5	3320-GPW6610	-----	WO-637425	01-3, 11	GEAR, driven (For PUMPS WO-637636 and WO-641293).	ea	1
			FM-GPW6610				
M-5	3320-GPW6684	-----	WO-330964	01-11, 12	PIN, stght, S, $\frac{5}{32}$ x $\frac{3}{32}$	ea	1
			FM-GPW6684				
M-5	3320-GPW6614	-----	WO-343306	01-3, 11	PINION (for PUMP WO-637636)	ea	1
			FM-GPW6614				
H-6	H006-0283192	118831	-----	01-11	PLUG, pipe, slotted, headless, br, $\frac{1}{8}$ in. (for PUMP WO-637636).	ea	1
M-5	3320-GPW6663	-----	WO-630518	01-3, 11, 12	PLUNGER, relief	ea	1
			FM-GPW6653				
M-5	3320-GPW6600	-----	WO-637636	01-1, 3	PUMP, oil, assy (Used w/chain driven camshaft)	ea	1
			FM-GPW6600				
H-1	H001-4167561	120368	-----	-----	NUT, hex, light, s-fin, S, cd or zn-pltd, $\frac{5}{16}$ -24NF-2.	ea	3
H-1	H101-0103180	103180	-----	01-5	STUD, S, $\frac{5}{16}$ -18NC x $\frac{5}{16}$ -24NF-2 x $2\frac{3}{4}$	ea	
H-1	H001-7025711	120214	-----	-----	WASHER, lock, med, S, cd or zn-pltd, $\frac{5}{16}$ in.	ea	
			WO-641293	-----	PUMP, oil, assy (Used w/chain driven camshaft) (Consists of the same parts as PUMP WO-641046 except driven GEAR WO-641047 is replaced by GEAR WO-637425).	ea	1
	G503-7741410	7741410	WO-641046C	-----	PUMP, oil, assy (Used w/gear driven camshaft) (Superseded by PUMP WO-645631).	ea	1

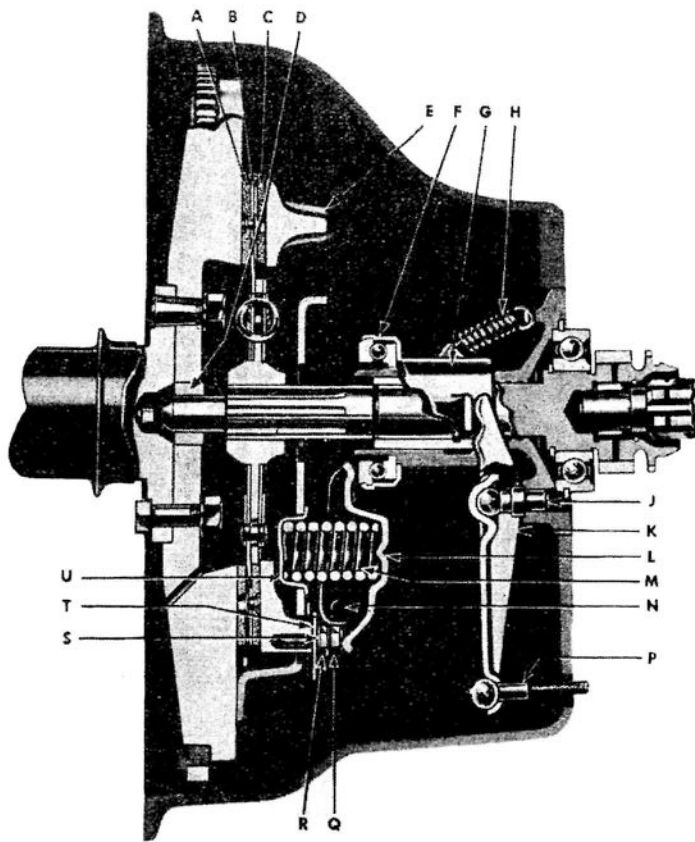
H-1	G503-7744586 H001-5026141	7744586 216929	WO-645631	-----	PUMP, oil, assy (Used w/gear driven camshaft)...	ea	1
H-1	H001-5026201	213705	-----	-----	SCREW, cap, hex-hd, S, cd or zn-pltd, 5/16-18NC-2 x 1.	ea	1
H-1	H001-7025711	120214	-----	-----	SCREW, cap, hex-hd, S, cd or zn-pltd, 5/16-18NC-2 x 2 1/2.	ea	2
M-5	3320-GPW6644	-----	WO-630390	01-3, 11, 12	WASHER, lock, med, S, cd or zn-pltd, 5/16 in.	ea	3
			FM-GPW6644		RETAINER, relief plunger spring-----	ea	1
			WO-641481	01-12	ROTOR, inner, w/SHAFT, assy (for PUMPS WO-641046C and WO-645631).	ea	1
			WO-641483	01-12	ROTOR, outer (for PUMPS WO-641046C and WO-645631).	ea	1
			WO-641742	-----	ROTOR SET, matched (for PUMPS WO-641046 and WO-645631).	ea	1
M-5	3320-GPW6608	-----	WO-636599	01-3, 11	SHAFT, w/ROTOR, assy (for PUMP WO-637636).	ea	1
M-5	3320-GPW6628	-----	FM-GPW6608		SHIM, relief plunger spring-----	ea	†
			WO-630389	01-3, 11			
			FM-GPW6628				
M-5	3320-GPW6654	-----	WO-356155	01-3, 11, 12	SPRING, relief plunger (for PUMPS WO-637636 and WO-641046C).	ea	1
			FM-GPW6654		SPRING, relief plunger (for PUMP WO-645631)...	ea	1
			WO-645628	-----			
					0106.2-ENGINE OIL FILTER		
M-5	3320-GPW1866	-----	WO-A1247	01-13	BRACKET, mounting, assy-----	ea	1
			FM-GPW18663				
			WO-A6818	01-13	CASE, assy-----	ea	1
	G503-7743537	7743537	WO-A1251	01-13	CLAMP, w/SCREW and NUT, assy-----	ea	2
			FM-GPW18664A				
M-5	G509-0131990	B245928	FM-GPW18687	-----	COVER, assy (Superseded by COVER-WO-A1231).	ea	1
M-5	G509-0131990	B245928	PU-25791	01-13	COVER, assy-----	ea	1
			WO-A1231				
			FM-GPW18687A				
G-9	G532-7744158	7744158	PU-25755	01-13	BOLT, special, hex-hd, 5/16-20NF-2 x 1 1/16...	ea	1
			WO-A1232				
			FM-GPW18691A				
K-4	8604-8E1000	8-E-1000	FM-GPW18662A	-----	ELEMENT, oil filter (Superseded by ELEMENT PU-28549).	ea	1
K-4	8604-8E1000	8-E-1000	PU-26637	01-13	ELEMENT, oil filter (Superseded by ELEMENT PU-28549).	ea	1
			WO-A1236				
			FM-GPW18662B				
K-4	8604-8E1000	8-E-1000	PU-28549	-----	ELEMENT, oil filter-----	ea	1
			FM-GPW18660	-----	FILTER, oil, assy (Superseded by FILTER PU-27078).	ea	1

(1) NOTE SYMBOL	(2) STOCK NO.	(3) ORDNANCE PART NO.	(4) MFR'S PART NO.	(5) FIGURE NO.	(6) NOMENCLATURE	(7) UNIT OF MEAS- URE	(8) QUAN- TITY PER UNIT ASSEM- BLY
GROUP 01—ENGINE—Continued							
0106.2—ENGINE OIL FILTER—Continued							
H-17	H017-0540501	540501	PU-27078 WO-A1230 FM-GPW18660A	01-1, 2 05-1, 2	FILTER, oil, assy-----	ea	1
H-1	H001-5419821	120741	-----	-----	SCREW, cap, hex-hd, S, cd or zn-pltd, 5/16- 24NF-3 x 3/4.	ea	4
H-1	H001-7025711	120214	-----	-----	WASHER, lock, med, S, cd or zn-pltd, 5/16 in.	ea	4
H-1	H001-7043711	120393	-----	-----	WASHER, plain, SAE std, S, cd or zn-pltd, 5/16 in.	ea	4
M-5	G503-0194033	7039934	FM-GPW18688	-----	GASKET, cover (Superseded by GASKET, PU- 25802).	ea	1
M-5	G503-0194033	7039934	PU-25802 WO-A1235 FM-GPW18688A	01-13	GASKET, cover-----	ea	1
M-5	G503-7703975	7703975	FM-GPW18675	-----	GASKET, cover bolt (Superseded by GASKET PU-25756).	ea	1
M-5	G503-7703975	7703975	PU-25756 WO-A1233 FM-GPW18675A	01-13	GASKET, cover bolt-----	ea	1
G-9	G518-7000997	7000997	WO-345961 FM-GPW13434A	-----	GROMMET, ru, 1 1/2 (mounting bracket)-----	ea	1
G-9	G162-1583745	A331979	PU-25795 WO-A1237 FM-358040S	01-13	PLUG, drain-----	ea	1
M-5	G503-7702564	7702564	FM-GPW18685	-----	SPRING, cover bolt (Superseded by SPRING PU- 25757).	ea	1
M-5	G503-7702564	7702564	PU-25757 WO-A1234 FM-GPW18685A	01-13	SPRING, oil filter cover bolt (tapered, 1 1/16 to 1 1/2).	ea	1
0106.5—ENGINE CRANKCASE VENTILATOR							
M-5	3320-GPW6762	-----	WO-630298 FM-GPW6762	01-3, 14	BAFFLE-----	ea	1
H-6	H006-0260850	137422	-----	01-14	ELBOW, flared tube, inverted, 90 deg, br, 5/16 in. tube, 1/2 in. male pipe end (w/o nut) (ventilator to line).	ea	1

H-6	H006-0260811	143343		01-14	ELBOW, flared tube, inverted, 90 deg, br, 1/8 in. tube, 1/4 in. male pipe end (w/o nut) (ventilator line to valve).	ea	1
M-5	3320-GPW6648		WO-630299 FM-GPW6648	01-14	GASKET, crankcase ventilator to valve spring cover.	ea	1
G-9	3320-GPW6756		WO-A6922 FM-GPW6756	01-1, 14	HOSE, crankcase air intake (See sub-group 0304) --- LINE, ventilator valve, assy-----	ea ea	1 1
G-9	3320-GPW6769		WO-A6895 FM-GPW6769	01-14	VALVE, assy-----	ea	1
	G503-7329586	7329586	WO-A1061 FM-GPW6758 FM-GPW6758A		VENTILATOR, crankcase, assy (early type)-----	ea	1
G-9	3320-GPW6758B		WO-A6919 FM-GPW6758B	01-14	VENTILATOR, crankcase, assy (late type)-----	ea	1
	G503-7368267	7368267	WO-A5105 FM-GPW6770		0106.6-ENGINE OIL PAN, OIL LEVEL GAGE, AND LINES BRACKET, support, oil filler pipe-----	ea	1
H-6	H006-0214315	137405	WO-387891 FM-9N18679	01-13	CONNECTOR, flared tube, inverted, br, 1/4 in. tube 1/2 in. male pipe and (w/o nut) (oil filter inlet line).	ea	1
H-6	H006-0260807	137421	WO-384569 FM-9N18686	01-13	ELBOW, flared tube, inverted, 90 deg, br, 1/4 in. tube, 1/2 in. male pipe end (w/o nut) (oil filter outlet line).	ea	2
M-5	G503-7036578	7036578	TSE-215B WO-630396 FM-GPW6615	01-3, 4, 15	FLOAT, oil strainer, assy (also known as STRAINER, oil, floating).	ea	1
H-1	H001-0811055 G503-0132455	103388	WO-A5168 FM-GPW6766B	01-15	PIN, cotter, split, S, 1/2 x 1 1/4-----	ea	1
G-9	3320-GPW6766C		WO-A6525 FM-GPW6766C	01-3	GAGE, oil level, w/filler CAP, assy (to be used with PIPE WO-A5165).	ea	1
G-9	3320-GPW6789		WO-A7280 FM-GPW6789		GAGE, oil level, w/filler CAP, assy (to be used with PIPE WO-A6915).	ea	1
M-5	3320-GPW6710		WO-639980 FM-GPW6710	01-15	GASKET, oil filler pipe cap-----	ea	1
M-5	3320-GPW6734		WO-640030 FM-B12410	01-15	GASKET, oil pan-----	ea	1
M-5	3320-GPW6734		WO-314338 FM-GPW6734		GASKET, oil pan drain plug (optional with GASKET WO-314338).	ea	1
M-5	3320-GPW6627		WO-630398 FM-GPW6627 WO-641050	01-15	GASKET, oil pan drain plug (optional with GASKET WO-640030).	ea	1
					GASKET, oil strainer float support-----	ea	1
					JET, oil, timing gear (for engines with gear driven camshaft).	ea	1

(1) NOTE SYMBOL	(2) STOCK NO.	(3) ORDNANCE PART NO.	(4) MFR'S PART NO.	(5) FIGURE NO.	(6) NOMENCLATURE	(7) UNIT OF MEAS- URE	(8) QUAN- TITY PER UNIT ASSEM- BLY
GROUP 01—ENGINE—Continued							
0106.6—ENGINE OIL PAN, OIL LEVEL GAGE, AND LINES— Con.							
M-5	G503-0217815	-----	WO-A1197 FM-GPW18667	01-1, 13	LINE, flexible, oil filter inlet, assy-----	ea	1
G-9	G503-0217816	-----	WO-A1198 FM-GPW18666	01-2, 13	LINE, flexible, oil filter outlet, and oil pressure gage, assy.	ea	2
G-9	3320-GPW9316	-----	WO-A1450 FM-GPW9316	-----	LINE, oil pressure gage, assy (¼ OD tube)-----	ea	1
G-9	3320-GPW6675	-----	WO-A1167	-----	PAN, oil, assy (Superseded by PAN WO-A7238)	ea	1
G-9	3320-GPW6675	-----	WO-A7328 FM-GPW6675	01-1, 3, 15	PAN, oil, assy-----	ea	1
	G503-7326117	7326117	FM-355403S2	-----	BOLT, w/lock WASHER, ⅝-18NC-3 x 1½ (Ford only).	ea	20
H-1	H001-5419101	120228	-----	01-3, 15	SCREW, cap, hex-hd, S, cd or zn-pltd, ⅝- 18NC-3 x ⅝.	ea	20
H-1	H001-7125711	120214	-----	01-15	WASHER, lock, med, S, cd or zn-pltd, ⅝ in.	ea	20
G-9	3320-GPW6763A	-----	WO-639555 FM-GPW6763A	-----	PIPE, oil filler, assy (straight type)-----	ea	1
	G503-0407837	-----	WO-A5165 FM-GPW6763B	-----	PIPE, oil filler, assy (funnel type, w/o ventilator tube connection).	ea	1
G-9	3320-GPW6763C	-----	WO-A6915 FM-GPW6763C	01-3	PIPE, oil filler, assy (funnel type w/ventilator tube connection).	ea	1
G-9	G503-0340661	-----	WO-639979 FM-GPW6727	01-3, 15	PLUG, drain, ⅝ in.-----	ea	1
M-5	3320-GPW6617	-----	WO-630397 FM-GPW6617	01-3, 4, 15	STRAINER, oil, floating (See FLOAT 7036578) -- SUPPORT, oil strainer float-----	ea ea	1
H-1	H001-5419141	122007	-----	01-15	SCREW, cap, hex-hd, S, cd or zn-pltd, ⅝- 18NC-3 x ⅝.	ea	2
H-1	H001-7025711	120214	-----	01-15	WASHER, lock, med, S, cd or zn-pltd, ⅝ in.	ea	2
G-9	3320-GPW9323	-----	WO-A1456 FM-GPW9323	-----	UNION, inverted flared tube, br, ¼ in. (oil pres- sure gage line).	ea	1
0108—ENGINE MANIFOLDS AND HEAT CONTROL							
M-5	3320-GPW9462	-----	WO-636438 FM-GPW9462	-----	BEARING, heat control valve shaft-----	ea	2

M-5	G503-0194021		WO-638640 FM-GPW9448	01-3	GASKET, intake and exhaust manifold.....	ea	1
M-5	3320-GPW9435		WO-634811 FM-GPW9435	01-16	GASKET, intake to exhaust manifold.....	ea	1
G-9	3320-GPW9465		WO-637211 FM-GPW9465	01-16	KEY, heat control valve lever.....	ea	1
M-5	3320-GPW9458		WO-637210 FM-GPW9458	01-16	LEVER, counterweight, heat control valve spring.....	ea	1
H-1	H001-4135661	120361	WO-A1701	01-16	NUT, mach screw, hex, S, cd or zn-pltd, No. 10-24NC-2.	ea	1
H-1	H001-1030102	110502	WO-5272	01-16	SCREW, mach, rd-hd, S, No. 10-24NC-2 x ¾.	ea	1
G-9	3320-GPW9428		FM-GPW9428	01-4	MANIFOLD, exhaust, w/heat control valve, assy (Superseded by MANIFOLD WO-A912).	ea	1
M-5	3320-GPW9426		WO-A912 FM-GPW9426	01-1, 16	MANIFOLD, exhaust, w/heat control valve, assy.....	ea	1
G-9	3320-GPW9424		FM-GPW9424		MANIFOLD, intake, assy (Superseded by MANIFOLD WO-A1166).	ea	1
G-9	3320-GPW9424B		WO-A1166 FM-GPW9424B	01-1, 16	MANIFOLD, intake, assy.....	ea	1
H-1	H101-0215366	215366		01-16	SCREW, cap, hex-hd, S, cd or zn-pltd, ½-18NC-2 x 1.	ea	4
H-1	H001-7021771	138538		01-16	WASHER, lock, int-teeth, reg, S, cd or zn-pltd, ½ in.	ea	4
			WO-A1165 FM-GPW9410B	01-3	MANIFOLD, intake and exhaust, assy.....	ea	1
H-1	H001-4167601	120369			NUT, hex, light, s-fin, S, cd or zn-pltd, ¾-24NF-2.	ea	7
M-5	G503-7701013	7701013	WO-300143 FM-88042S		STUD, S, ¾-16NC-3 x ¾-24NF-2 x 1½.....	ea	3
H-1	H001-1312540	114987			STUD, S, ¾-16NC x ¾-24NF-2 x 1¼.....	ea	2
H-1	H101-0112209	112209			STUD, S, ¾-16NC x ¾-24NF-2 x 1½.....	ea	2
M-5	3320-GPW9443		WO-344732 FM-GPW9443		WASHER, manifold clamp. (S, ½ ID x 1½ OD x ½ to ¾ thk at ID).	ea	2
H-6	H106-0117244	117244		01-16	PLUG, pipe, sq-hd, S, cd or zn-pltd, ¼ in.....	ea	2
M-5	3320-GPW9456		WO-637206 FM-GPW9456	01-16	SHAFT, heat control valve.....	ea	1
M-5	3320-GPW9467		FM-GPW9467		SPRING, heat control valve (Superseded by SPRING WO-637208).	ea	1
M-5	3320-GPW9467A		WO-637208 FM-PW9467A	01-16	SPRING, heat control valve.....	ea	1
M-5	3320-GPW9463		WO-639743 FM-GPW9463	01-16	STOP, heat control valve spring.....	ea	1
M-5	3320-GPW9460		WO-636439 FM-GPW9460	01-3	VALVE, heat control.....	ea	1
M-5	3320-GPW9484		WO-637209 FM-GPW9484	01-16	WASHER, heat control valve spring (S, 0.310 ID x 1½ OD x ½ thk).	ea	1



KEY ITEM	PART NO.	GROUP
A—FACING	WO-371567	0201
B—DISK	WO-636755	0201
C—FACING	WO-636778	0201
D—BEARING	WO-639578	0201
E—PLATE	WO-638152	0201
F—BEARING	710203	0202
G—CARRIER	WO-639654	0202
H—SPRING	WO-630117	0202
J—FULCRUM	WO-630068	0202
K—LEVER	WO-630112	0202
L—LEVER	WO-638158	0201
M—SPRING	WO-638993	0201
N—PIN	WO-638159	0201
P—CABLE	WO-A5102	0202
Q—SCREW	WO-638154	0201
R—NUT	WO-638155	0201
S—WASHER	118773	0201
T—SPRING	WO-638153	0201
U—CUP	WO-638157	0201

RA PD 342254G

Figure 02-1. Clutch—cross section.

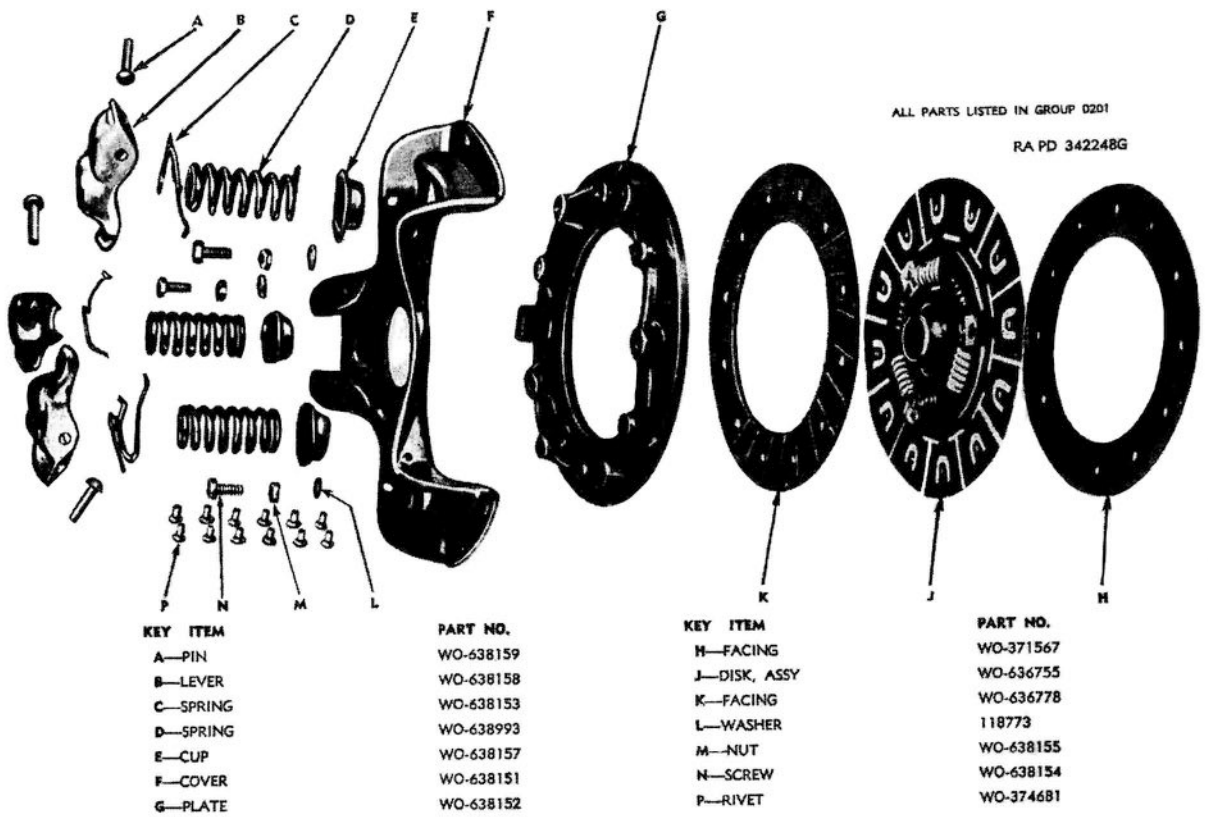
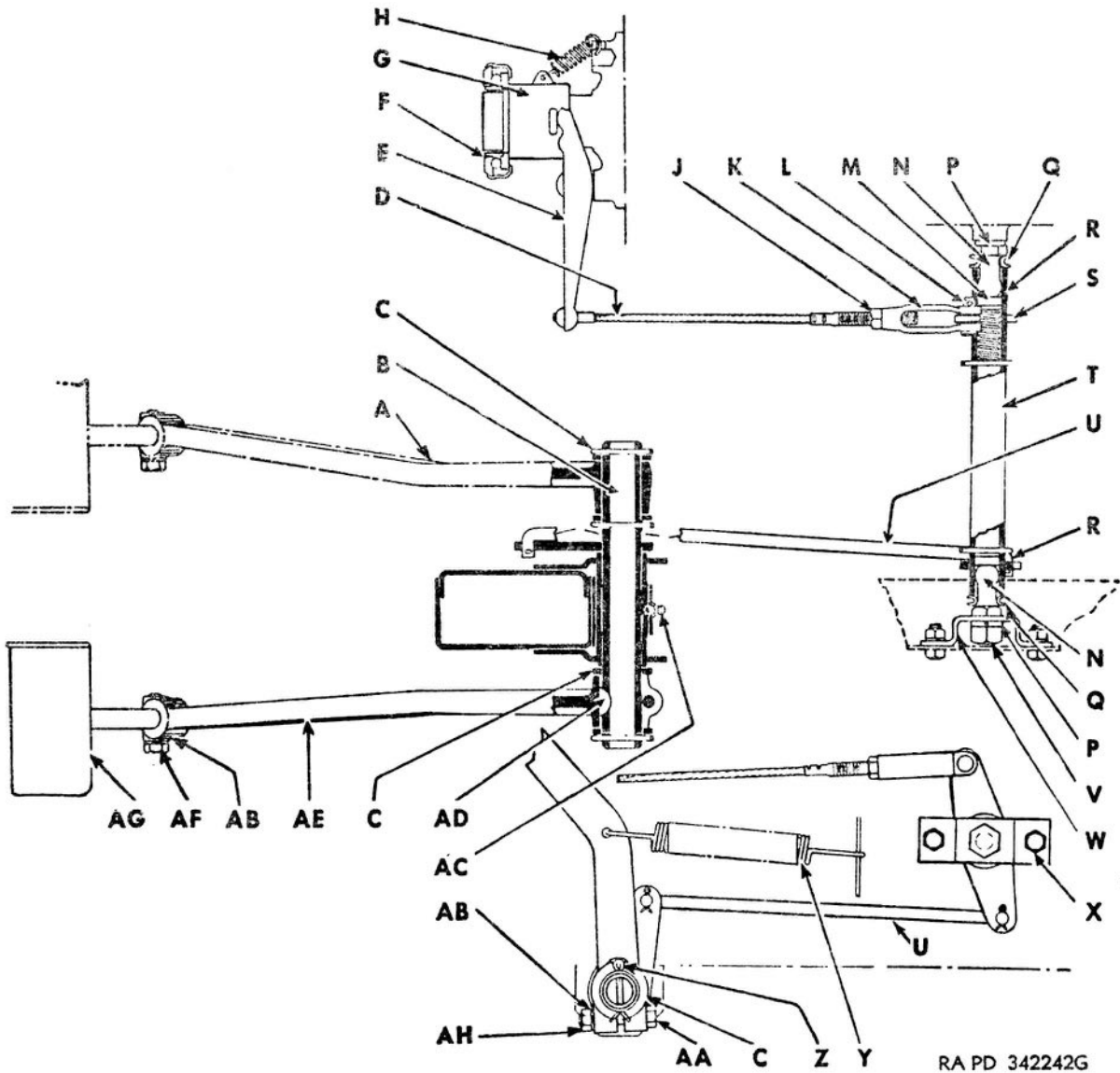


Figure 02-2. Clutch—exploded view.



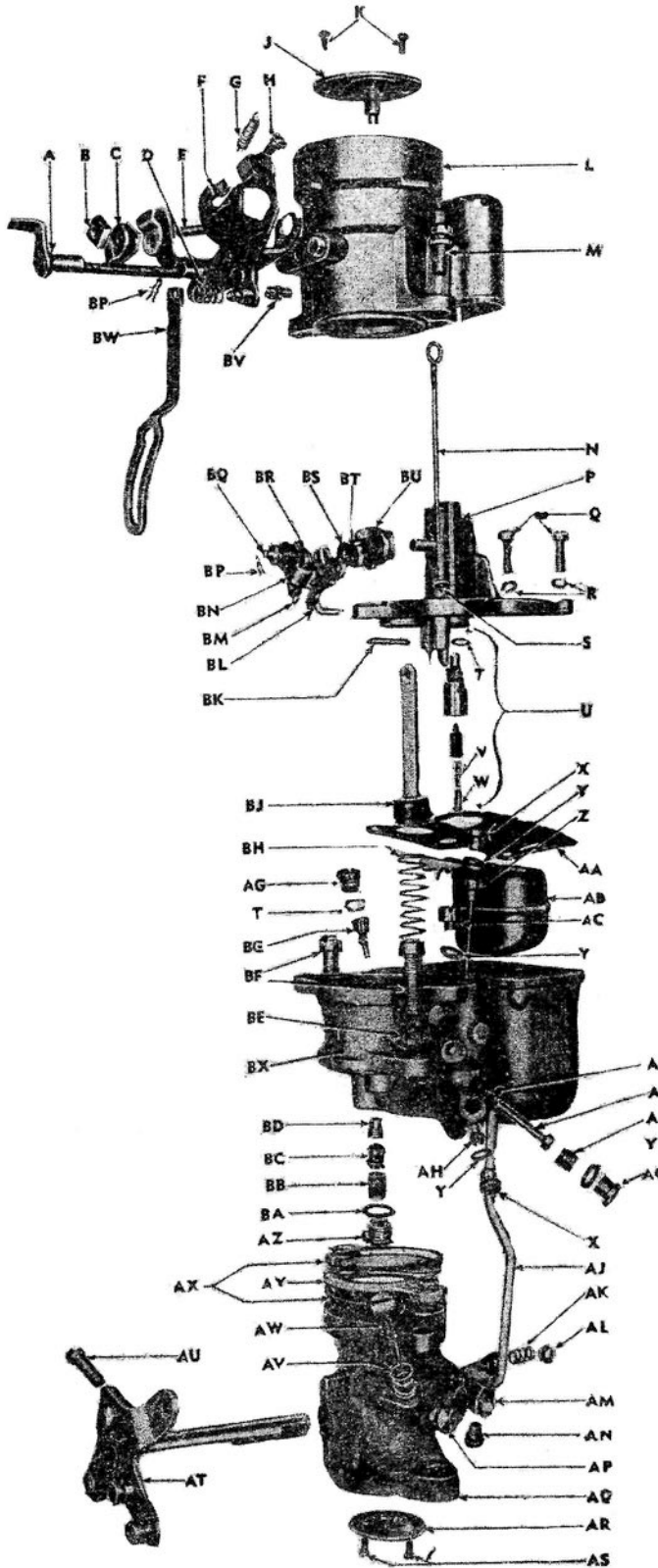
KEY ITEM	PART NO.	GROUP	KEY ITEM	PART NO.	GROUP
A—PEDAL	WO-A8253	1204.1	S—SPRING	WO-A178	0202
B—SHAFT	WO-A495	1204.1	T—LEVER, ASSY	WO-A1355	0202
C—WASHER	WO-A498	0202	U—ROD	WO-A499	0202
D—CABLE	WO-A5102	0202	V—NUT	118616	0202
E—LEVER	WO-630112	0202	W—BRACKET	WO-A180	0202
F—BEARING	710203	0202	X—SCREW	214656	0202
G—CARRIER	WO-639654	0202	Y—SPRING	WO-630593	0202
H—SPRING	WO-630117	0202	Z—PIN	108643	0202
J—NUT	120368	0202	AA—SCREW	215417	0202
K—YOKE	WO-632177	0202	AB—WASHER	116120	0202
L—PIN	7326118	0202	AC—FITTING	45-F-451	0202
M—RETAINER	WO-A177	0202	AD—KEY	124549	0202
N—STUD	WO-A181	0202	AE—PEDAL	WO-A405	0202
P—WASHER	115314	0202	AF—SCREW	215368	0202
Q—SEAL	WO-A887	0202	AG—PAD	WO-A1360	0202
R—PAD	WO-A176	0202	AH—NUT	115729	0202

Figure 02-8. Clutch—control linkage.

(1) NOTE SYMBOL	(2) STOCK NO.	(3) ORDNANCE PART NO.	(4) MFR'S PART NO.	(5) FIGURE NO.	(6) NOMENCLATURE	(7) UNIT OF MEAS- URE	(8) QUAN- TITY PER UNIT ASSEM- BLY
GROUP 02—CLUTCH							
0201—CLUTCH AND PILOT BEARING							
G-9	3320-GPW7600	-----	WO-639578 FM-GPW7600 WO-638151 FM-GPW7570 WO-638157 FM-GPW7567	01-7 02-1 02-2 02-1, 2	BEARING, pilot, bushing type (transmission in- put gear) (in flywheel). COVER, pressure plate----- CUP, pressure plate spring-----	ea ea ea	1 1 3
G-9	G503-7089574	7089574	B&B-11123 WO-636755 FM-GPW7550	02-1, 2	DISK, driven, w/FACINGS, and HUB, assy (chain driven camshaft engine).	ea	1
	G503-7741423	7741423	WO-642918	-----	DISK, driven, w/FACINGS, and HUB, assy (gear driven camshaft engine).	ea	1
G-9	5960-C5510	-----	B&B-2940 WO-371567 FM-GPW7549 WO-640361	02-1, 2	FACING, driven disk, front (for DISK WO- 642918).	ea	1
G-9	5960-C5509	-----	B&B-4324 WO-636778 FM-GPW7577 WO-640360	02-1, 2	FACING, driven disk, rear (for DISK WO- 636755).	ea	1
		-----		-----	FACING, driven disk, rear (for DISK WO- 642918).	ea	1
G-9	G085-1101840	-----	WO-374681 FM-351926S WO-641695 WO-638158 FM-GPW7591 WO-638159 FM-GPW7565	02-2 02-1, 2 02-1, 2	RIVET, tubular, S, fl-ck-hd (for DISK WO- 636755). RIVET, tubular, S (for DISK WO-642918)--- LEVER, pressure spring release-----	ea ea ea	12 16 3
G-9	0523-TP285-1	-----	AVM-TP285-1 WO-638152 FM-GPW7566	02-1, 2	PIN, pivot-----	ea	3
G-9	3320-GPW7563	-----	AVM-TP28-7-1 WO-638992 FM-GPW7563	02-1, 2	PLATE, pressure----- PLATE, pressure, w/COVER, SPRINGS, and LEVERS, assy (chain driven camshaft engine).	ea	1

(1) NOTE SYMBOL	(2) STOCK NO.	(3) ORDNANCE PART NO.	(4) MFR'S PART NO.	(5) FIGURE NO.	(6) NOMENCLATURE	(7) UNIT OF MEAS- URE	(8) QUAN- TITY PER UNIT ASSEM- BLY
					GROUP 02—CLUTCH—Continued		
					0201—CLUTCH AND PILOT BEARING—Continued		
	G503-7741424	7741424	WO-642622	-----	PLATE, pressure, w/COVER, SPRINGS, and LEVERS, assy (gear driven camshaft engine).	ea	1
	G503-7324841	7324841	WO-630129 FM-355476S	-----	SCREW, cap, special, hex-hd, 5/16-18NC-2 x 1 1/4.	ea	6
H-1	H001-7025711	120214	-----	-----	WASHER, lock, med, S, cd or zn-pltd, 5/16 in.	ea	6
			AVM-TP2818 WO-638154 FM-24325S	02-1, 2	SCREW, hex-hd, alloy-S, 1/4-28NF-2 x 5/8 (for adjusting pressure spring LEVER).	ea	3
			WO-638155 FM-33921S7	02-1, 2	NUT, jam, hex, S, cd-pltd, 1/4-28NF-2-----	ea	3
H-1	H001-7043685	118773	-----	02-1, 2	WASHER, plain, SAE std, S, phos-ctd, 1/4 in.	ea	3
			WO-638993 FM-GPW7572	02-1, 2	SPRING, pressure-----	ea	3
G-9	0523-TD2817	-----	WO-638153 FM-GPW7590	02-1, 2	SPRING, return, pressure plate-----	ea	3
					0202—CLUTCH CONTROL		
H-12	H012-0710203	710203	AB-A935-1 WO-635529 FM-74-7580B	02-1, 3	BEARING, ball, No. AB-A935-1 (SR, clutch release, 1.500 bore, 2.8125 OD, 0.672 width).	ea	1
G-9	G503-7368260	7368260	WO-A180 FM-GPW7509	02-3	BRACKET, control tube stud (on frame)-----	ea	1
H-1	H001-4167561	120368	-----	-----	NUT, hex, light, s-fin, S, cd-pltd, 5/16-24NF-2.	ea	2
H-1	H101-0214656	214656	-----	02-3	SCREW, cap, hex-hd, S, cd or zn-pltd, 5/16-24NF-2 x 5/8.	ea	2
H-1	H001-7025711	120214	-----	-----	WASHER, lock, med, S, cd or zn-pltd, 5/16 in.	ea	2
G-9	3320-GPW7530	-----	WO-A5102 FM-GPW7530	02-1, 3	CABLE, control, assy-----	ea	1
G-9	3320-GPW7561	-----	WO-639654 FM-GPW7561	02-1, 3	CARRIER, release bearing-----	ea	1
K-3	45-F-451	45-F-451	-----	02-3	FITTING, lubricating, hydraulic type, stght, 1/4-28NS, male (pedal shaft).	ea	1
G-9	3320-GPW7516	-----	WO-630068 FM-GPW7516	02-1	FULCRUM, release lever-----	ea	1
G-9	3320-GPW7503	-----	WO-A1355 FM-GPW7503	02-3	LEVER, control, w/TUBE, assy-----	ea	1
G-9	3320-GPW7515	-----	WO-630112 FM-GPW7515	02-1, 3	LEVER, release-----	ea	1

G-9	3320-GPW7539		WO-A176	02-3	PAD, control tube (felt, 5/8 OD, x 1/4 thk)	ea	1
	G505-7368262	7368262	FM-GPW7539 WO-A1360	02-3	PAD, pedal, assy (Superseded by PAD WO-A8440, FM-GPW7525A).	ea	1
			FM-GPW7525 WO-A8440		PAD, pedal, assy	ea	1
			FM-GPW7525A				
H-1	H101-0215368	215368		02-3	SCREW, cap, hex-hd, S, 85,000 psi yield strength, 5/16-18NC-2 x 1 1/4.	ea	1
H-1	H101-0116120	116120		02-3	WASHER, lock, med, S, phos-ctd, 5/16 in	ea	1
G-9	3320-GPW7520		WO-A405	02-3	PEDAL, assy	ea	1
			WO-A10269	18-2			
			FM-GPW7520				
			FM-GPW7520A				
H-1	H001-0518022	124549		02-3	KEY, Woodruff, ni-S, 5/16 x 3/4 (No. 606 or 9)	ea	1
H-1	H101-0115729	115729		02-3	NUT, hex, light, s-fin, S, phos-ctd, 5/16-24NF-2	ea	1
H-1	H101-0215417	215417		02-3	SCREW, cap, hex-hd, S, cd or zn-pltd, 5/16- 24NF-2 x 1 1/4.	ea	1
H-1	H101-0116120	116120			WASHER, lock, med, S, phos-ctd, 5/16 in	ea	1
G-9	3320-GPW7517		WO-A177	02-3	RETAINER, control tube spring	ea	2
			FM-GPW7517				
G-9	3320-GPW7521		WO-A499	02-3	ROD, clutch release pedal	ea	1
			FM-GPW7521				
H-1	H001-0811037	103372			PIN, cotter, split, S, 3/32 x 1/2	ea	2
G-9	3320-GPW7512		WO-A887	02-3	SEAL, dust, control tube	ea	2
			FM-GPW7512				
G-9	3320-GPW7545		WO-A178	02-3	SPRING, control tube (compression, 5/16 OD, 1 3/4 free lgh).	ea	1
G-9	3320-GPW7562		WO-630117	02-1, 3	SPRING, release bearing carrier	ea	1
			FM-GPW7562				
	G503-0389783		WO-630593	02-3	SPRING, retracting, pedal (tension, 40 coils, 5 7/8 over-all lgh).	ea	1
G-9	G170-0392287	A246557	FM-GPW7523				
			WO-A181	02-3	STUD, ball, S, 5/16-14NC (control tube)	ea	2
			FM-GPW7514				
H-1	H101-0118616	118616		02-3	NUT, hex, light, s-fin, S, phos-ctd, 5/16-14NC-2	ea	2
H-1	H001-7025775	115314		02-3	WASHER, lock, med, S, phos-ctd, 5/16 in	ea	2
G-9	3320-356561S		WO-A498	02-3	WASHER, pedal shaft (special, S, 1 1/2 ID x 1 1/2 OD x 5/8 thk).	ea	3
			FM-356561S				
H-1	H001-0811361	108643		02-3	PIN, cotter, split, S, 3/32 x 1 1/8	ea	3
H-1	H001-1810030	104037	WO-6599		YOKE, rod end, adjustable, light, S, 5/16-24NF-2 control cable (Superseded by YOKE WO- 632177, FM-GPW7532).	ea	1
G-9	3320-GPW7532		WO-632177	02-3	YOKE, rod end, adjustable, control cable	ea	1
			FM-GPW7532				
H-1	H001-4167561	120368		02-3	NUT, hex, light, s-fin, S, cd or zn-pltd, 5/16- 24NF-2.	ea	1
	G503-7326118	7326118	WO-339043	02-3	PIN, clevis, S, 5/16 x 2 7/32	ea	1
			FM-73880S				
H-1	H001-0811040	103374			PIN, cotter, split, S, 3/32 x 1	ea	1



KEY ITEM	PART NO.
A-LEVER	CAR-14-246S
B-NUT	120619
C-CLAMP	CAR-62-134
D-SPRING	CAR-61-190
E-SCREW	CAR-105-13
F-LEVER, ASSY	CAR-62-135S
G-SPRING	CAR-61-119
H-SCREW	131954
J-VALVE, ASSY	CAR-7-116S
K-SCREW	CAR-39-10
L-HORN, ASSY	CAR-6-312S
M-SCREW	CAR-101-150S
N-ROD	CAR-75-547
P-COVER, ASSY	CAR-146-95S
Q-SCREW	131970
R-WASHER	116118
S-DISK	CAR-129-15
T-GASKET	CAR-20-22
U-VALVE, ASSY	CAR-25-93S
Y-SPRING	CAR-61-207
W-PIN	CAR 150-98
X-PLUG	CAR-11B129S
Y-GASKET	CAR-20-26
Z-JET	CAR-11-180S
AA-GASKET	CAR-121-73
AB-FLOAT ASSY	CAR-21-74S
AC-JET	CAR-120-151S
AD-GASKET	CAR-20-72
AE-NOZZLE	CAR 12-25S
AF-PLUG	CAR-11B105
AG-PLUG	CAR-11B127S
AH-JET	CAR-43-67
AJ-ROD	CAR-115-59
AK-SPRING	CAR-61-128
AL-RETAINER	CAR-63-35
AM-ARM, ASSY	CAR-114-21S
AN-SCREW	132100
AP-PLUG	CAR 11B108
AQ-FLANGE, ASSY	CAR-1-407
AR-VALVE	CAR-2-89
AS-SCREW	CAR-39-11
AT-SHAFT, ASSY	CAR-3-46S
AU-SCREW	CAR-101-121
AV-SPRING	CAR-61-67
AW-SCREW	CAR-30A39
AX-GASKET	CAR-121-56
AY-INSULATOR	CAR-183-19
AZ-PLUG	CAR-11B125S
BA-GASKET	CAR-20-61
BB-STRAINER	CAR-30-20
BC-CHECK, ASSY	CAR-122-64S
BD-CHECK, ASSY	CAR-122-47
BE-WASHER	115109
BF-SCREW	190392
BG-JET	CAR-48-84
BH-SPRING	CAR-61-171
BJ-PLUNGER, ASSY	CAR-64-62S
BK-PIN	CAR-24-23
BL-LINK	CAR-117-58
BM-SPRING	CAR 61-169
BN-LEVER, ASSY	CAR-53A251S
BP-SPRING	CAR-150A10
BQ-PIN	CAR 150-97
BR-SPRING	CAR-61-272
BS-WASHER	113818
BT-NUT	134530
BU-ARM, ASSY	CAR-53A168S
BV-SCREW	CAR-101 142S
BW-LINK	CAR-117-106
BX-BOWL	

NOT SERVICED SEPARATELY

ALL PARTS LISTED IN GROUP 0301

RA PD 342289G

Figure 03-1. Carburetor—exploded view.

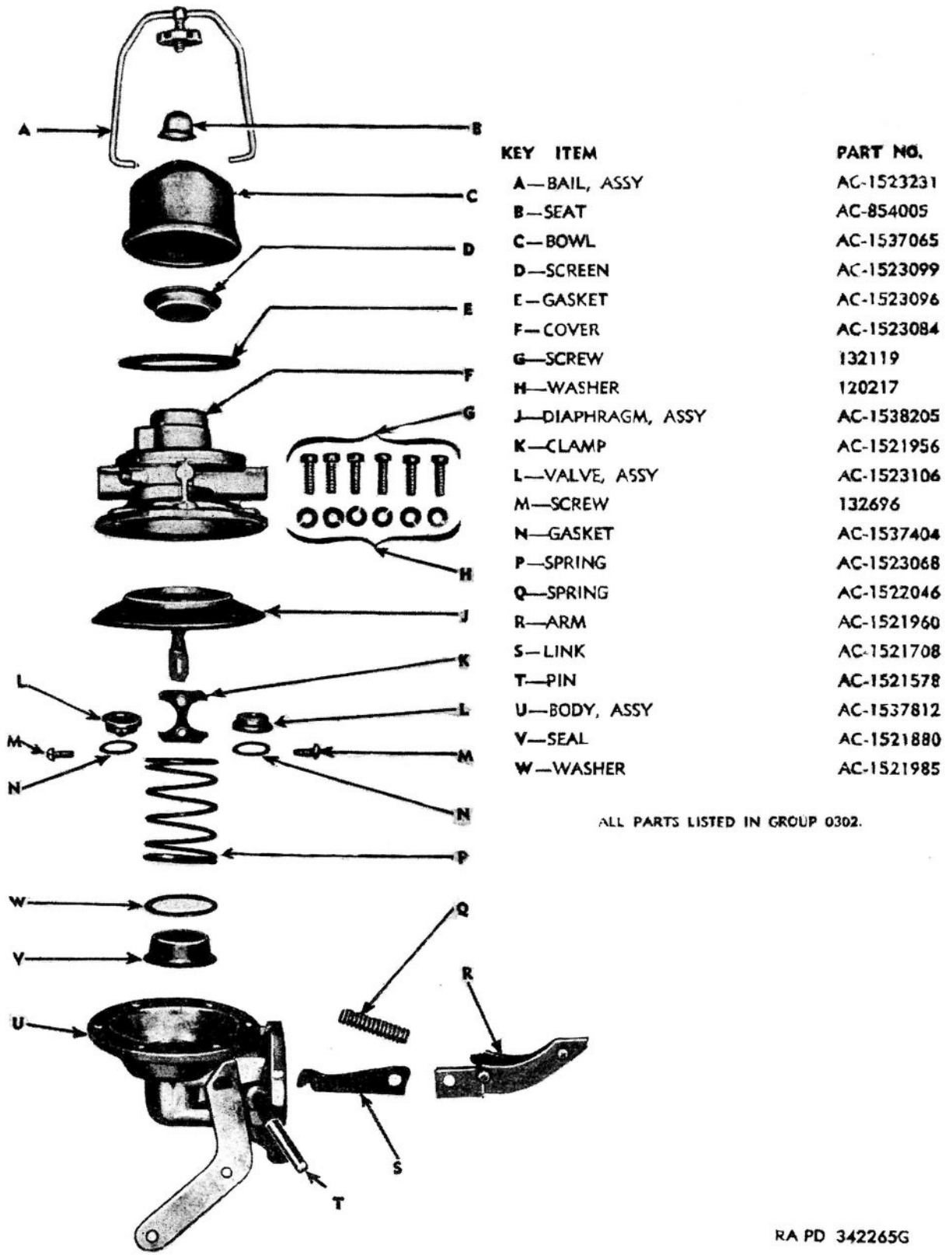
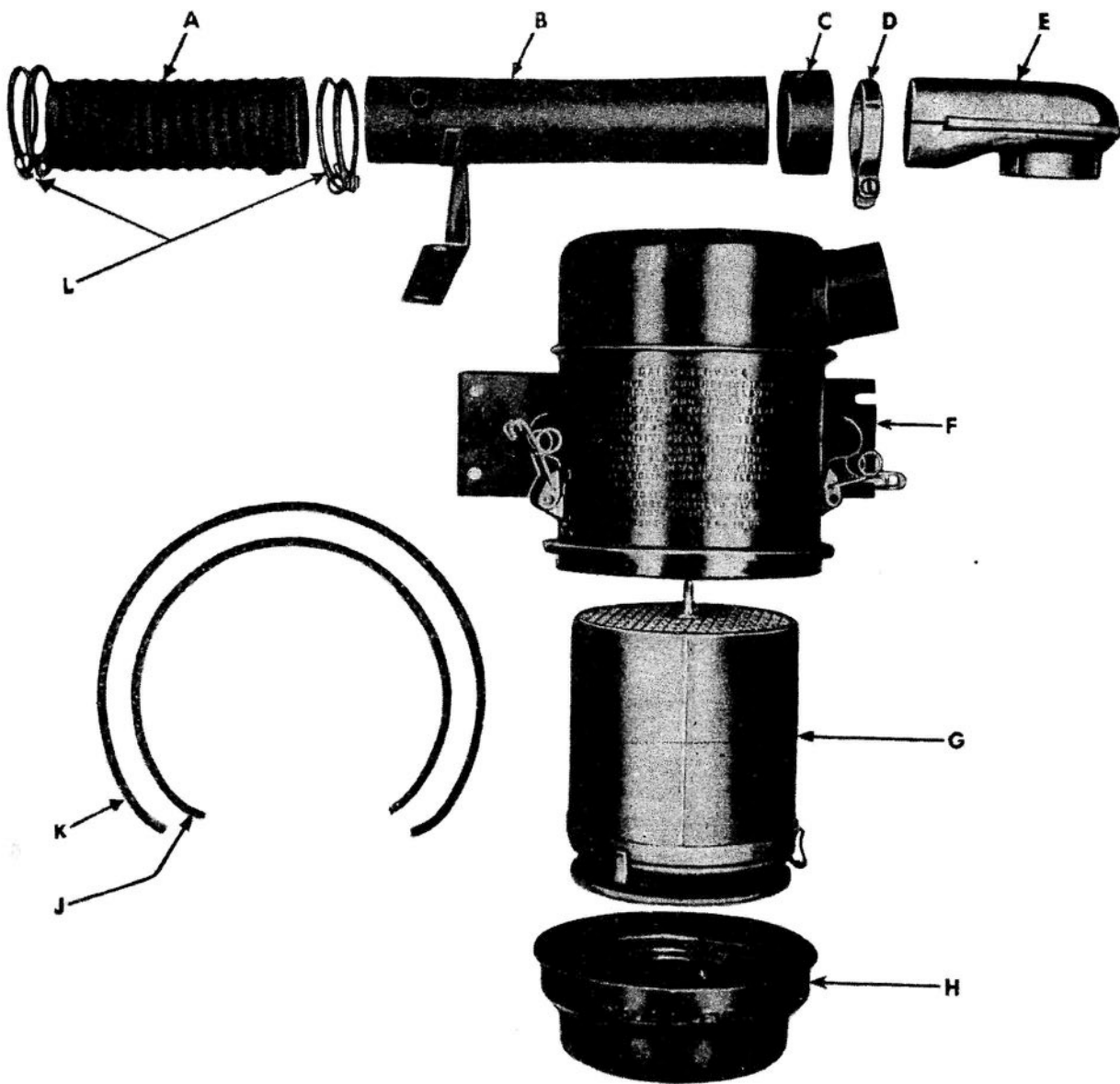


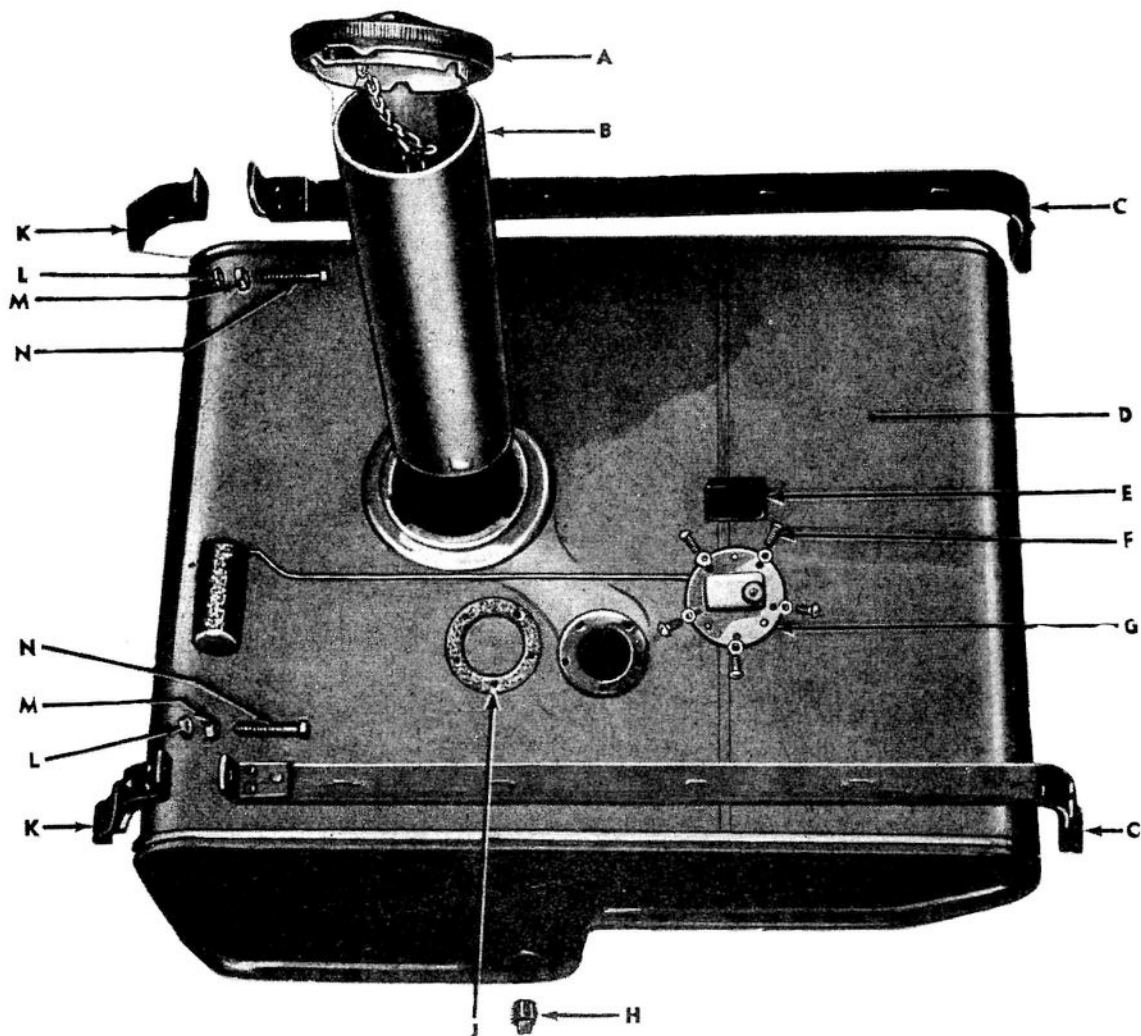
Figure 03-2. Fuel pump—exploded view.



KEY ITEM	PART NO.	KEY ITEM	PART NO.
A—HOSE	WO-A1311	G—ELEMENT, ASSY	OKS-613387
B—TUBE, ASSY	WO-A6911	H—CUP	OKS-613306
C—BUSHING	WO-A1451	J—GASKET	OKS-613314
D—CLAMP	WO-A1515	K—GASKET	OKS-613313
E—HORN	WO-A463	L—CLAMP	USL-461389
F—BODY, ASSY	OKS-613455		

ALL PARTS LISTED IN GROUP 0304
RA PD 342266G

Figure 03-8. Air cleaner—exploded view.

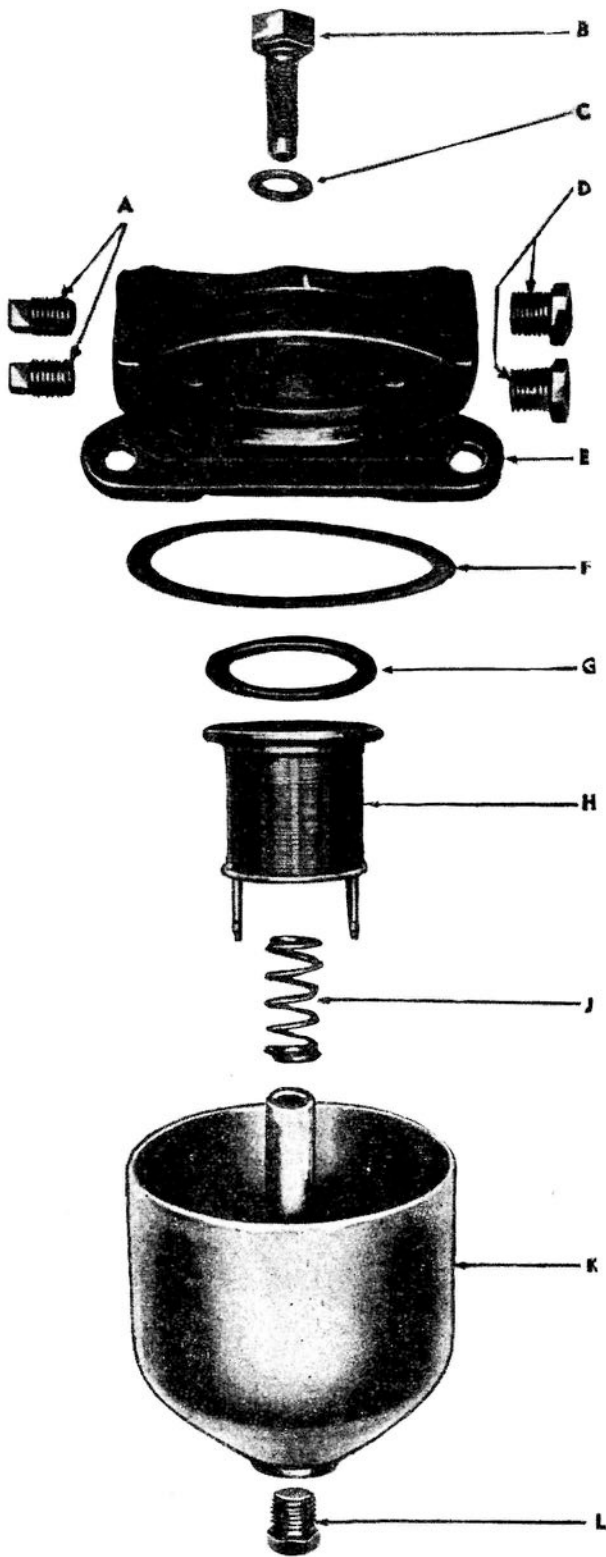


KEY ITEM	PART NO.	KEY ITEM	PART NO.
A—CAP, ASSEMBLY	WO-A6333	H—PLUG	117244
B—EXTENSION	WO-A6424	J—GASKET	WO-A1293
C—STRAP, ASSEMBLY	WO-A1472	K—STRAP, ASSEMBLY	WO-A1477
D—TANK, ASSEMBLY	WO-A6618	L—NUT	107822
E—PROTECTOR	WO-A1763	M—NUT	120368
F—SCREW	178460	N—SCREW	215417
G—UNIT, ASSEMBLY	WC-A1292		

ALL PARTS LISTED IN GROUP 0306.

RA PD. 342228G

Figure 03-4. Fuel tank and related parts.

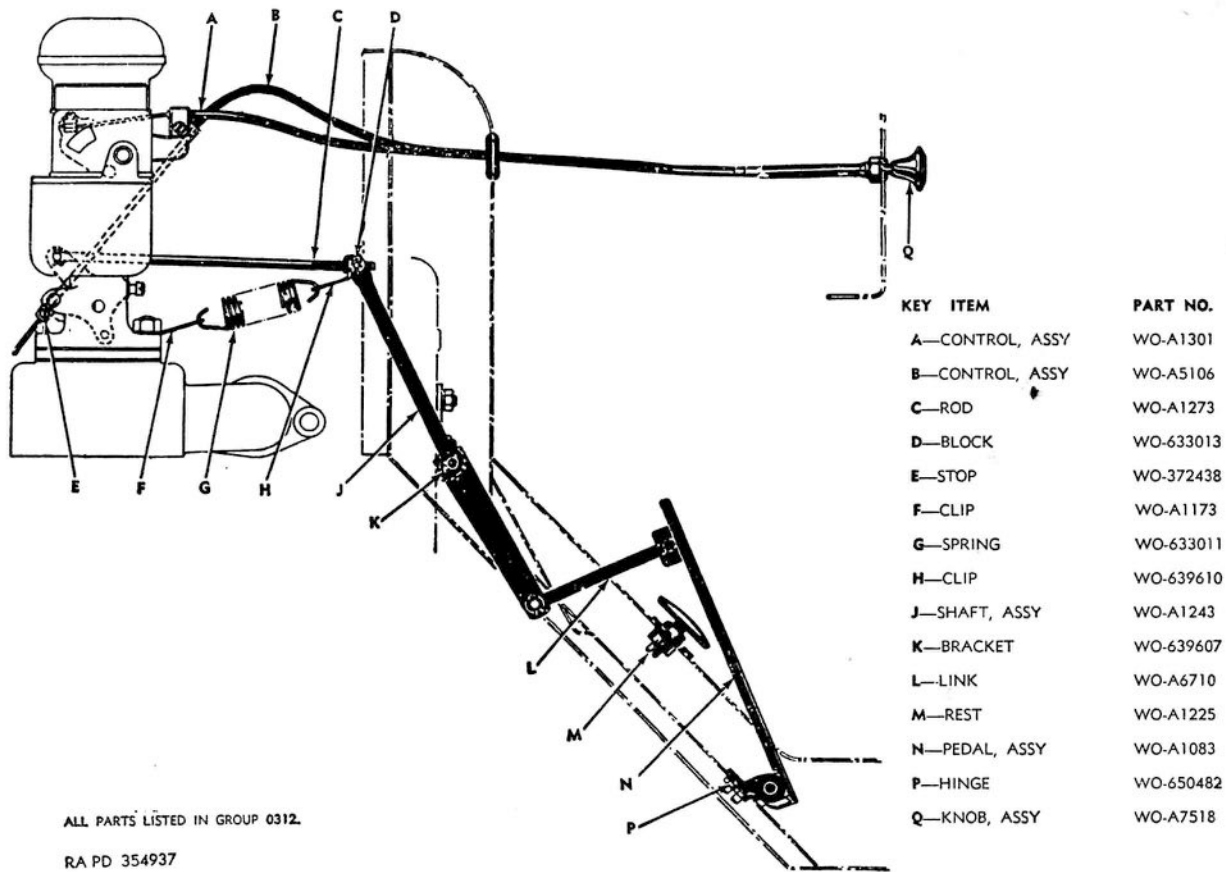


KEY ITEM	PART NO.
A—PLUG	103866
B—SCREW	AC-853634
C—GASKET	AC-853562
D—BUSHING	119922
E—COVER	AC-1504212
F—GASKET	AC-853558
G—GASKET	AC-853572
H—ELEMENT	AC-1595823
J—SPRING	AC-1504118
K—BOWL	AC-1504117
L—PLUG	127951

ALL PARTS LISTED IN GROUP 0309.

RA PD 342239G

Figure 03-5. Fuel filter—exploded view.



ALL PARTS LISTED IN GROUP 0312.

RA PD 354937

Figure 03-6. Throttle and choke controls.

(1) NOTE SYMBOL	(2) STOCK NO.	(3) ORDNANCE PART NO.	(4) MFR'S PART NO.	(5) FIGURE NO.	(6) NOMENCLATURE	(7) UNIT OF MEAS- URE	(8) QUAN- TITY PER UNIT ASSEM- BLY
GROUP 03—FUEL SYSTEM							
0301—CARBURETOR							
G-9	1500-53A168S	-----	CAR-53A168S WO-116181 FM-GPW9528	03-1	ARM, pump, w/COLLAR, assy-----	ea	1
G-9	1500-114-21S	-----	CAR-114-21S WO-116197 FM-GPW9583	03-1	ARM, throttle shaft, w/SCREW, assy(also known as LEVER).	ea	1
H-1	H101-0132100	132100	-----	03-1	SCREW, mach, fil-hd, S, cd or zn-pltd, No. 10-32NF-2 x 1/16.	ea	1
G-9	G503-0131592	-----	CAR-539S WO-A1223 FM-GPW9510	03-1 01-1 05-1	AXLE, float lever (See PIN, float lever). BOWL, carburetor (Not serviced separately)----- CARBURETOR, assy (Superseded by CAR- BURETOR CAR-698S).	ea ea	1 1
	G503-7743886	7743886	CAR-698S WO-647843C	-----	CARBURETOR, assy-----	ea	1
H-1	H001-4027541	225831	-----	-----	NUT, hex, reg, s-fin, S, cd or zn-pltd, 3/8- 24NF-2.	ea	2
H-1	H101-0111318	111318	WO-632159	01-16	STUD, cd or zn-pltd, 3/8-16NC (3/16) x 3/8- 24NF-2 (3/8) x 1 1/16.	ea	2
G-9	-----	-----	CAR-122-64S WO-116205 FM-GPW9576	03-1	CHECK, fuel intake, assy-----	ea	1
G-9	-----	-----	CAR-122-47S WO-116204 FM-GPW9594	03-1	CHECK, pump discharge, assy-----	ea	1
G-9	-----	-----	CAR-62-134 WO-116587 FM-GPW9595	03-1	CLAMP, choke control tube-----	ea	1
H-1	H001-4051541	120619	-----	03-1	NUT, mach screw, sq, S, cd or zn-pltd, No. 10-24NC-2.	ea	1
H-1	H001-5148281	120910	CAR-105-13 WO-116588 FM-355132S7	30-1	SCREW, mach, rd-hd, S, cd or zn-pltd (0.190) No. 10-24NC x 3/4.	ea	1
G-9	1500-146-95S	-----	CAR-146-95S WO-116208 FM-GPW9515	03-1	COVER, bowl, w/PIN, assy-----	ea	1

H-1	H001-5125851	131970	-----	03-1	SCREW, mach, fil-hd, S, cd orzn-pltd, No. 8 32NC-2 x 1/2.	ea	2
H-1	H001-7025595	116118	-----	03-1	WASHER, lock, med, S, phos-ctd, No. 8	ea	2
G-9	-----	-----	CAR-129-15 WO-116206 FM-GPW9905	03-1	DISK, metering rod	ea	1
G-9	-----	-----	CAR-1-407 WO-116584 FM-GPW9518	03-1	FLANGE, body, assy	ea	1
H-1	H101-0190392	190392	-----	03-1	SCREW, mach, fil-hd, S, cd or zn-pltd, 1/4- 28NF-2 x 3/8.	ea	2
H-1	H001-7025785	115109	-----	03-1	WASHER, lock, med, S, phos-ctd, 1/4-in	ea	2
G-9	1500-21-74S	-----	CAR-21-74S WO-116172 FM-GPW9550	03-1	FLOAT, w/LEVER, assy	ea	1
G-9	G503-0194034	-----	CAR-121-56 WO-116202 FM-GPW9516	03-1	GASKET, body flange to bowl	ea	2
G-9	1500-121-73	-----	CAR-121-73 WO-116203 FM-GPW9519	03-1	GASKET, bowl cover	ea	1
G-9	3320-GPW9447	-----	FM-GPW9447	-----	GASKET, carburetor to intake manifold (Super- seded by GASKET CAR-1A55).	ea	1
G-9	1500-1A55	-----	CAR-1A55 WO-A6357 FM-GPW9445	-----	GASKET, carburetor to intake manifold	ea	1
G-9	G503-5293029	A293029	CAR-20-22 WO-116168 FM-GPW9569	03-1	GASKET, needle valve seat	ea	3
G-9	G085-3002100	A281434	CAR-20-45	-----	GASKET, nozzle (for CARBURETOR CAR- 698S).	ea	1
G-9	G503-7698615	7698615	CAR-20-72 WO-116171 FM-GPW9926	03-1	GASKET, nozzle (for CARBURETOR CAR- 539S).	ea	1
M-5	1500-20-26	A293135	CAR-20-26 WO-116169 FM-GPW9608	03-1	GASKET, pump check valve passage plug and idle well jet.	ea	3
G-9	1500-20-61	-----	CAR-20-61 WO-116170 FM-GPW9574	03-1	GASKET, strainer plug	ea	1
G-9	1500-6-312S	-----	CAR-6-312S WO-116544 FM-GPW9520	03-1	HORN, air, assy	ea	1
G-9	1500-101-150S	-----	CAR-101-150S WO-116385 FM-355200S7	03-1	SCREW, w/WASHER, fil-hd, S, cd-pltd, No. 12-28NF x 3/16.	ea	2

(1) NOTE SYMBOL	(2) STOCK NO.	(3) ORDNANCE PART NO.	(4) MFR'S PART NO.	(5) FIGURE NO.	(6) NOMENCLATURE	(7) UNIT OF MEAS- URE	(8) QUAN- TITY PER UNIT ASSEM- BLY
GROUP 03—FUEL SYSTEM—Continued							
0301—CARBURETOR—Continued							
G-9	G503-7702733	7702733	CAR-183-19 WO-116210 FM-GPW9554	03-1	INSULATOR, bowl to flange.....	ea	1
G-9			CAR-48-84 WO-116180 FM-GPW9940	03-1	JET, accelerator pump.....	ea	1
G-9	1500-43-67		CAR-43-67 WO-116179 FM-GPW9544	03-1	JET, idle well.....	ea	1
G-9			CAR-11-180S WO-116539 FM-GPW9533	03-1	JET, low speed, assy (for CARBURETOR CAR-539S).	ea	1
G-9			CAR-11-186S		JET, low speed, assy (for CARBURETOR CAR-698S).	ea	1
G-9	1500-120-151S		CAR-120-151S WO-116541 FM-GPW9914	03-1	JET, metering rod, w/GASKET, assy.....	ea	1
G-9	1500-14-246S		CAR-14-246S WO-116545 FM-GPW9546	03-1	LEVER, choke control, w/SHAFT, assy.....	ea	1
G-9	1500-62-135S		CAR-62-135S WO-116586 FM-GPW9526	03-1	LEVER, choke, w/BRACKET, assy.....	ea	1
H-1	H001-5125821	131958			SCREW, mach, fil-hd, S, cd or zn-pltd, No. 8-32NC-2 x 5/16.	ea	2
G-9	1500-53A251S		CAR-53A251S WO-116537 FM-GPW9529	03-1	LEVER, operating, accelerator pump, assy.....	ea	1
G-9	1500-117-106		CAR-117-106 WO-116542 FM-GPW9598	03-1	LINK, choke control lever.....	ea	1
G-9	G503-5293071	A293071	CAR-117-58 WO-116199 FM-GPW9527	03-1	LINK, connector, accelerator pump.....	ea	1

G-9	1500-12-255	-----	CAR-12-255 WO-116166 FM-GPW9922	03-1	NOZZLE, high speed (for CARBURETOR CAR-539S).	ea	1
	G503-7744589	7744589	CAR-12-323 WO-117369	-----	NOZZLE, high speed (for CARBURETOR CAR-698S).	ea	1
M-5	G507-5346740	A346740	CAR-24-23 WO-116173 FM-GPW9558	03-1	PIN, float lever-----	ea	1
G-9	1500-150-98	-----	CAR-150-98 WO-116177 FM-GPW9566	3-1	PIN, intake needle spring-----	ea	1
G-9	1500-150-97	-----	CAR-150-97 WO-116209 FM-GPW9930	03-1	PIN, metering rod-----	ea	1
H-2	H102-0142581	142581	-----	-----	CLIP, retaining, 1/2 groove diam-----	ea	1
H-1	H001-4135581	134530	-----	03-1	NUT, mach screw, hex, S, cd or zn-pltd, No. 6-32NC-2.	ea	1
	G503-5281411	-----	CAR-150A10 WO-116178 FM-GPW9599	03-1	SPRING, retaining (Superseded by CLIP 142581).	ea	1
H-1	H001-1522003	113818	-----	03-1	WASHER, plain, SAE std, br, No. 6-----	ea	1
M-5	-----	A312057	CAR-11B108 WO-116162 FM-GPW9579	03-1	PLUG, rivet, carburetor throttle body idle port passage.	ea	1
G-9	G503-5293022	A293022	CAR-11B129S WO-116165 FM-GPW9543	03-1	PLUG, low speed jet and idle well passage, w/GASKET, assy.	ea	2
G-9	1500-11B127S	-----	CAR-11B127S WO-116164 FM-GPW9928	03-1	PLUG, pump jet and nozzle passage, w/GASKET, assy.	ea	2
G-9	1500-11B105	-----	CAR-11B105 WO-116161 FM-GPW9562	03-1	PLUG, retainer, nozzle (for CARBURETOR CAR-539S).	ea	1
G-9	G085-3005000	A281470	CAR-11B164	-----	PLUG, retainer, nozzle (for CARBURETOR CAR-698S).	ea	1
G-9	1500-11B35	-----	CAR-11B35 WO-116159 FM-GPW9522	-----	PLUG, rivet-----	ea	1
M-5	1500-11B79	7324060	CAR-11B79 WO-116160 FM-GPW9523	-----	PLUG, rivet, carburetor float chamber body and cover passage.	ea	1
G-9	1500-11B125S	-----	CAR-11B125S WO-116163 FM-GPW9696	08-1	PLUG, strainer passage, w/GASKET, assy-----	ea	1
G-9	-----	-----	CAR-64-62S WO-116195 FM-GPW9631	03-1	PLUNGER, pump, w/ROD, assy-----	ea	1

(1) NOTE SYMBOL	(2) STOCK NO.	(3) ORDNANCE PART NO.	(4) MFR'S PART NO.	(5) FIGURE NO.	(6) NOMENCLATURE	(7) UNIT OF MEAS- URE	(8) QUAN- TITY PER UNIT ASSEM- BLY
GROUP 03—FUEL SYSTEM—Continued							
0301—CARBURETOR—Continued							
G-9	G503-5293047	A293047	CAR-63-35 WO-116194 FM-GPW9614	03-1	RETAINER, throttle connecting rod spring (for CARBURETOR CAR-539S).	ea	1
	G503-7744588	7744588	CAR-63-93 WO-116925	-----	RETAINER, throttle connecting rod spring (for CARBURETOR CAR-698S).	ea	1
G-9	-----	-----	CAR-115-59 WO-116198 FM-GPW9531	03-1	ROD, connector, throttle-----	ea	1
G-9	1500-75-547	-----	CAR-75-547 WO-116540 FM-GPW9906	03-1	ROD, metering-----	ea	1
G-9	G503-7702610	7702610	CAR-30A39 WO-116176 FM-GPW9541	03-1	SCREW, adjusting, idle-----	ea	1
G-9	G085-3004960	-----	CAR-101-121 WO-116214 FM-GPW9610	03-1	SCREW, adjusting, throttle lever-----	ea	1
H-1	H001-5125811	131954	-----	03-1	SCREW, mach, fil-hd, S, cd or zn-pltd, No. 8-32NC-2 x 1/4 (throttle control wire clamp).	ea	1
H-1	H001-5125821	131958	CAR-101-6 WO-301232 FM-31037S7	-----	SCREW, mach, fi-hd, S, cd-pltd, No. 8-32NC x 1/16 (choke lever bracket).	ea	1
G-9	G503-7343368	7343368	CAR-101-142S WO-116384 FM-355067S7	03-1	SCREW, w/WASHER, choke bracket (fil-hd, No. 8-32NC x 0.327).	ea	1
G-9	1500-3-465S	-----	CAR-3-465S WO-116585 FM-GPW9581	03-1	SHAFT, throttle valve, w/LEVER, assy-----	ea	1
G-9	1500-61-190	-----	CAR-61-190 WO-116189 FM-GPW9587	03-1	SPRING, choke link-----	ea	1
G-9	1500-61-119	A346732A	CAR-61-119 WO-116184 FM-GPW9624	03-1	SPRING, choke pull-back-----	ea	1

G-9	G085-3005920	A312058	CAR-61-128 WO-116185 FM-GPW9615	03-1	SPRING, antirattle, throttle connecting rod-----	ea	1
G-9	G503-5293042	A293042	CAR-61-57 WO-116183 FM-GPW9578	03-1	SPRING, idle adjustment screw-----	ea	1
G-9	-----	-----	CAR-61-207 WO-116191 FM-GPW9935	03-1	SPRING, intake needle-----	ea	1
G-9	1500-61272	-----	CAR-61-272 WO-116538 FM-GPW9907	03-1	SPRING, metering rod-----	ea	1
G-9	G125-0882589	-----	CAR-61-143 WO-116186 FM-GPW9650	-----	SPRING throttle pump plunger packing-----	ea	1
G-9	1500-61-171	-----	CAR-61-171 WO-116188 FM-GPW9636	03-1	SPRING, pump-----	ea	1
G-9	1500-61-169	-----	CAR-61-169 WO-116187 FM-GPW9570	03-1	SPRING, pump arm-----	ea	1
G-9	G085-3004900	A281437	CAR-30-20 WO-116175 FM-GPW9575	03-1	STRAINER, pump check-----	ea	1
G-9	1500-7-116S	-----	CAR-7-116S WO-116157 FM-GPW9549	03-1	VALVE, choke, assy-----	ea	1
G-9	G503-5281457	A281457	CAR-39-10 WO-116216 FM-GPW9586	03-1	SCREW-----	ea	2
G-9	1500-25-93S	-----	CAR-25-93S WO-116174 FM-GPW9567	03-1	VALVE, needle, intake, w/SEAT and SPRING assy.	ea	1
G-9	1500-2-89	-----	CAR-2-89 WO-116154 FM-GPW9585	03-1	VALVE, throttle-----	ea	1
G-9	G085-3005020	A346734	CAR-39-11 WO-116217 FM-GPW9588	03-1	SCREW-----	ea	2
0302-FUEL PUMP							
M-5	0040-1521960	-----	AC-1521960 WO-115641 FM-GPW9399	03-2	ARM, rocker, assy-----	ea	1
M-5	G085-3000180	-----	AC-1523231 WO-115657 FM-GPW9387	03-2	BAIL, w/SCREW (bowl), assy (type FP-2)-----	ea	1

(1) NOTE SYMBOL	(2) STOCK NO.	(3) ORDNANCE PART NO.	(4) MFR'S PART NO.	(5) FIGURE NO.	(6) NOMENCLATURE	(7) UNIT OF MEAS- URE	(8) QUAN- TITY PER UNIT ASSEM- BLY
GROUP 03—FUEL SYSTEM—Continued							
0302—FUEL PUMP—Continued							
M-5	G085-3000880	-----	AC-1523090 AC-1537812 WO-A1045 FM-GPW9386	03-2	BODY (for PUMP AC-1538836)-----	ea	1
M-5	G085-3004580	A292972	AC-1537065 WO-A1494 FM-GPW9355	03-2	BODY, w/priming LEVER, assy-----	ea	1
M-5	G085-3004580	A292972	AC-1521956 WO-115653 FM-11A9361	03-2	BOWL, sediment (metal) (type FP-10)-----	ea	1
H-1	H001-5146441	132696	-----	03-2	CLAMP, valve (also known as RETAINER)-----	ea	1
M-5	-----	-----	AC-1523084 WO-115650 FM-GPW9354	03-2	SCREW, mach, rd-hd, S, cd or zn-pltd, No. 6-32NC-2 x ¾.	ea	2
H-1	H001-5127361	132119	-----	03-2	COVER, assy-----	ea	1
H-1	H001-7025621	120217	-----	03-2	SCREW, mach, fil-hd, S, cd or zn-pltd, No. 10-32NF-2 x ¾.	ea	6
M-5	G085-0100660	A307627	AC-1522199 WO-115644 FM-GPW9398	03-2	WASHER, lock, med, S, cd or zn-pltd, No. 10-	ea	6
M-5	G085-0100660	A307627	AC-1538205 WO-116995 FM-GPW9398B	03-2	DIAPHRAGM (w/pull ROD) assy (for PUMP AC-1537766).	ea	1
M-5	G085-3002220	-----	AC-1523096 WO-115656 FM-GPW9364	03-2	DIAPHRAGM (w/pull ROD) assy (for PUMPS AG-1538213 and AC-1538886).	ea	1
M-5	G503-5261672	A261672	AC-838263 WO-638737 FM-GPW9417	-----	GASKET, bowl to cover (type FG-3)-----	ea	1
G-9	G540-7698604	7698604	AC-1537404	03-2	GASKET, pump to cylinder block-----	ea	1
M-5	G085-3003100	-----	AC-1521708 WO-115880 FM-INC9381	03-2	GASKET, valve-----	ea	2
M-5	G085-1414736	A292977	AC-855763 WO-113461 FM-GPW9373	03-2	LINK, rocker arm-----	ea	1
				-----	NUT, thumb, S, zn dichromate fin, No. 10-24NC-2 x ¾ OD (bowl seat on bail).	ea	1

M-5	G085-3003640		AC-1521578 WO-A1046 FM-GPW9378	03-2	PIN, pivot, rocker arm.....	ea	1
G-9	G503-0345876		AC-1537766 WO-A1220 FM-GPW9350		PUMP, fuel, assy, (Superseded by PUMP AC-1538312).	ea	1
M-5	0040-1538312		AC-1538312 WO-A8323 FM-GPW9350B	01-1 05-1	PUMP, fuel, assy (Superseded by PUMP* AC-1538886).	ea	1
H-1	G503-7744275 H001-5453161	7744275 180078	AC-1538886		PUMP, fuel, assy.....	ea	1
H-1	H001-7025711	120214			SCREW, cap, hex-hd, S, cd or zn-pltd, 5/16-18NC-3 x 7/8.	ea	2
G-9	G103-1767691	A292981	AC-1522072		WASHER, lock, med, S, cd or zn-pltd, 5/16 in.	ea	2
M-5	G085-3004580	A292972			RETAINER, diaphragm spring (PUMPS AC-1538312 and AC-1538886).	ea	1
M-5	G085-3004880		AC-1523099 WO-115654 FM-GPW9365	03-2	RETAINER, valve (See CLAMP with the same part no.)		
M-5	0040-1521880		AC-1523068 WO-115870 FM-GPW9469	03-2	SCREEN, assy.....	ea	1
M-5	G502-5292976	A292976	AC-854005 WO-113460 FM-GPW9388	03-2	SEAL, pull rod (rubber).....	ea	1
G-9	0040-1523744		AC-1523744		SEAT, bowl.....	ea	1
M-5	G179-5346854	A346854	AC-1523068 WO-116694 FM-GPW9396B	03-2	SPRING, diaphragm (for PUMP AC-1537766)	ea	1
M-5	G085-3005760	A307309	AC-1522046 WO-115643 FM-GPW9380	03-2	SPRING, diaphragm (for PUMPS AC-1538312 and AC-1538886).	ea	1
M-5	G508-5214749	A214749	AC-1523106 WO-115651 FM-11A9352	03-2	SPRING, rocker arm.....	ea	1
M-5	0040-1521985		AC-1521985 WO-115869 FM-GPW9468	03-2	VALVE, assy.....	ea	2
M-5	G508-5214987	A214987	AC-1521288 WO-A1047 FM-GPW9377	03-2	WASHER, diaphragm spring scat.....	ea	1
			OXS-613455 WO-A5629 FM-GPW9309	03-3	WASHER, plain, 0.189 ID x 7/8 OD x 0.042 thk (rocker arm pin).	ea	1
					0304-AIR CLEANER AND CONNECTIONS		
					BODY, assy.....	ea	1

(1) NOTE SYMBOL	(2) STOCK NO.	(3) ORDNANCE PART NO.	(4) MFR'S PART NO.	(5) FIGURE NO.	(6) NOMENCLATURE	(7) UNIT OF MEAS- URE	(8) QUAN- TITY PER UNIT ASSEM- BLY
GROUP 03—FUEL SYSTEM—Continued							
0304—AIR CLEANER AND CONNECTIONS—Continued							
			WO-A5104 FM-GPW9629		BRACE, support bracket	ea	1
			WO-A1279 FM-GPW9657		BRACKET, support, left, assy	ea	1
			WO-A1278 FM-GPW9656		BRACKET, support, right, assy	ea	1
H-1	H001-4157561	120368			NUT, hex, light, s-fin, S, cd or zn-pltd, $\frac{5}{16}$ - 24NF-2.	ea	6
H-1	H101-0214656	214656			SCREW, cap, hex-hd, S, cd or zn-pltd, $\frac{5}{16}$ - 24NF-2 x $\frac{5}{8}$.	ea	6
H-1	H001-7025711	120214			WASHER, lock, med, S, cd or zn-pltd, $\frac{5}{16}$ in	ea	6
G-9	3320-GPW9686		WO-A1451 FM-GPW9686	03-3	BUSHING, air intake horn to air tube and carb- uretor (3-ply rad. hose, $2\frac{1}{4}$ x $1\frac{1}{8}$) (Superseded by SEALS WO-A17317, WO-A17318).	ea	2
G-9	G503-7099792	7099792	WO-53384 FM-GPW9625 FM-91A8287		CLAMP, hose, air cleaner tube to horn (Used w/SEAL WO-A17317).	ea	1
G-9	3320-GPW2250		WO-A1515 FM-GPW2250	03-3	CLAMP, hose, $2\frac{1}{2}$ ID (air horn to carburetor and air tube) (Used w/BUSHING WO-A1451).	ea	2
M-5	G503-7036575	7036575	USL-461389 WO-635097 FM-GPW9653	03-3 05-1	CLAMP, air cleaner to carburetor hose ($2-\frac{3}{32}$ ID) (between air cleaner and TUBE WO-A6911).	ea	2
G-9	3320-GPW9628		WO-A281 FM-GPW9628		CLAMP, hose, carburetor to air intake horn ($2\frac{13}{32}$ ID) (Used w/SEAL WO-A17318).	ea	1
H-6	H006-0502911	502911	WO-53108 FM-GPW6772		CLAMP, hose, S, cd or zn-pltd, $\frac{3}{4}$ in (air cleaner tube to oil filter tube hose).	ea	2
M-5	6855-613300	7007562	OKS-613300 WO-A5621 FM-GPW18205B	05-2	CLEANER, air, assy	ea	1
	G503-7324837	7324837	WO-115905 FM-355253S		SCREW, wing, $\frac{1}{4}$ -20NC-2 x $\frac{3}{4}$	ea	4
H-1	H001-7025685	115109			WASHER, lock, med, S, phos-ctd, $\frac{1}{4}$ in	ea	4
M-5	6855-613306		OKS-163306 WO-A5631 FM-GPW9658	03-3	CUP, oil	ea	1

	G503-0169094	-----	FM-GPW9618	-----	ELEMENT, assy (Superseded by ELEMENT OKS-613387).	ea	1
M-5	G503-0169093	-----	OKS-613387 WO-A5630 FM-GPW9617	03-3	ELEMENT, w/wing BOLT, assy-----	ea	1
G-9	G503-7010486	7010486	OKS-613313 WO-A5632 FM-GPW9621	03-3	GASKET, body, upper-----	ea	1
M-5	G503-7010485	7010485	OKS-613314 WO-A5633 FM-GPW9623	03-3	GASKET, body, lower-----	ea	1
	G503-7701460	7701460	WO-A1224 FM-GPW9627	-----	HORN, air intake (Superseded by HORN WO-A463).	ea	1
M-5	3320-GPW9632	-----	WO-A463 FM-GPW9632	03-3	HORN, air cleaner (air cleaner tube to carburetor)---	ea	1
G-9	3320-GPW9652B	-----	WO-A1311 FM-GPW9652 FM-GPW9652B	05-1 03-3 05-1	HOSE, air cleaner tube to cleaner-----	ea	1
G-9	3320-GPW6771	-----	WO-A6918 FM-GPW6771	05-2	HOSE, air cleaner tube to oil filter tube-----	ea	1
G-9	3320-GPW9686B	-----	WO-A17317 FM-GPW9686B	-----	SEAL, air intake horn to air tube (Supersedes BUSHING WO-A1451).	ea	1
G-9	3320-GPW9633	-----	WO-A17318 FM-GPW9633	-----	SEAL, air intake horn to carburetor (Supersedes BUSHING WO-A1451).	ea	1
	G503-7701461	7701461	WO-A642 FM-GPW9647	-----	SHIELD, assy-----	ea	1
H-1	H001-4167525	115728	-----	-----	NUT, hex, light, s-fin, S, phos-ctd, ¼-28NF-2---	ea	3
H-1	H001-5418261	123316	-----	-----	SCREW, cap, hex-hd, S, cd or zn-pltd, ¼-28NF-3 x ½'	ea	3
H-1	H001-7025785	115109	-----	-----	WASHER, lock, med, S, phos-ctd, ¼ in-----	ea	3
H-1	H001-7043685	118773	-----	-----	WASHER, plain, SAE std, S, phos-ctd, ¼ in---	ea	3
M-5	G523-0137984	7010517	OKS-613380 WO-A7191 FM-GPW9612	-----	SPRING, toggle, air cleaner (body to oil cup)---	ea	2
G-9	3320-GPW9637B	-----	WO-A6911 FM-GPW9637B	01-2 03-3 05-1	TUBE, w/BRACKET, assy (w/crankcase ventilator connection).	ea	1
G-9	3320-GPW9637A	-----	WO-A1290 FM-GPW9637 FM-GPW96373A	-----	TUBE, w/BRACKET, assy (w/o crankcase ventilator connection).	ea	1
0306-FUEL TANK, LINES, AND GAGES							
			WO-A1738 FM-GPW9069	-----	ANTISQUEAK, fuel tank (1 in. wide x 6 in. long)-----	ea	2
			WO-A1739 FM-GPW9079	-----	(1 in. wide x 7¼ in. long)-----	ea	2

(1) NOTE SYMBOL	(2) STOCK NO.	(3) ORDNANCE PART NO.	(4) MFR'S PART NO.	(5) FIGURE NO.	(6) NOMENCLATURE	(7) UNIT OF MEAS- URE	(8) QUAN- TITY PER UNIT ASSEM- BLY
					GROUP 03—FUEL SYSTEM—Continued		
					0306—FUEL TANK, LINES, AND GAGES—Continued		
					ANTISQUEAK—Continued		
			WO-A1740 FM-GPW9075	-----	(1 in. wide x 9½ in. long)-----	ea	2
			WO-A1741 FM-GPW9071	-----	(1 in. wide x 18 in. long)-----	ea	2
			WO-A1480 FM-GPW9078	-----	ANTISQUEAK, fuel tank hold-down strap (3¼ in. long)-----	ea	2
			WO-A1476 FM-GPW9074	-----	(24¾ in. long)-----	ea	2
	G503-7368263	7368263	WO-A2954 FM-GPW9063	-----	BRA3KET, fuel tank hold-down-----	ea	2
H-1	H001-0924140	102671		-----	RIVET, b-hd, S, ¼ x ⅜-----	ea	2
	G503-7368264	7368264	WO-A2953 FM-GPW9065	-----	BRACKET, fuel tank hold-down, inner, front (Superseded by BRACKET FM-GPW9065B).	ea	1
	G503-7368264	7368264	FM-GPW9065B	-----	BRACKET, fuel tank hold-down, inner, front-----	ea	1
H-1	H001-4167505	118613		-----	NUT, hex, light, s-fin, S, phos-ctd, ¼-20NC-2	ea	2
H-1	H101-0121668	121668		-----	SCREW, cap, hex-hd, S, phos-ctd, ¼-20NC-3 x ⅝.	ea	2
H-1	H001-7025685	115109		-----	WASHER, lock, med, S, phos-ctd, ¼ in.-----	ea	2
	G503-7368268	7368268	WO-A2952 FM-GPW9062	-----	BRACKET, fuel tank hold-down inner, rear-----	ea	1
	G503-7368269	7368269	WO-A2970 FM-GPW9051 FM-GPW9051B	-----	BRACKET, fuel tank hold-down, inner, rear, w/SUPPORT, assy.	ea	1
	G503-7368270	7368270	WO-A3055 FM-GPW1111322	-----	CAP, drain, fuel tank well-----	ea	1
G-9	G503-7702557	7702557	AC-850042 WO-A1254 FM-GPW9030 FM-GPW9030A	-----	CAP, filler, fuel tank, (2⅝ OD)-----	ea	1
G-9	3320-GPW9030B	-----	WO-A6333 FM-GPW9030B	03-4	CAP, fuel tank, w/safety CHAIN, assy (4⅝ OD) . .	ea	1

	G503-7368271	7368271	WO-A1481 FM-GPW9066		CLAMP, fuel tank hold-down, assy-----	ea	1
H-1	H001-4167561	120368			NUT, hex, light, s-fin, S, cd or zn-pltd, $\frac{1}{16}$ - 24NF-2.	ea	1
H-1	H001-4057561	107822			NUT, jam, stamped, hex, light, 9-notch, S, cd or zn-pltd, $\frac{1}{16}$ -24NF (Willys only).	ea	1
H-1	H101-0215417	215417			SCREW, cap, hex-hd, S, cd or zn-pltd, $\frac{1}{16}$ - 24NF-2 x $1\frac{1}{4}$.	ea	1
H-1	H001-7025711	120214			WASHER, lock, med, S, cd or zn-pltd, $\frac{1}{16}$ in. (Ford only).	ea	1
			WO-A1289 FM-GPW14585		CLIP, closed, $\frac{1}{16}$ in., $1\frac{1}{32}$ screw hole (fuel line to front engine plate).	ea	1
		7343086	WO-A5450 FM-GPW9295		CLIP, open $\frac{1}{16}$ in., $\frac{1}{32}$ screw hole (fuel line to floor pan front cross sill (1); to rear cross sill (2); to fender splasher (1); to dash (1)).	ea	5
G-9	G503-0139920		WO-A1325 FM-GPW9288 FO-HA8031		CONNECTION, flexible, fuel line-----	ea	1
	3320-GPW9627A		WO-387249 FM-GPW9267A FM-GPW9267		CONNECTOR, inverted flared tube, br, $\frac{1}{16}$ in. (fuel strainer).	ea	1
H-6	H006-0260850	137422			ELBOW, flared tube, inverted, 90 deg, br, $\frac{1}{16}$ in. tube, $\frac{1}{8}$ in. male pipe end (w/o nut) (fuel pump inlet and outlet).	ea	2
			WO-A15596 FM-GPW9269		ELBOW, flexible connection to fuel pump (used w/fuel TANK WO-A15507, FM-GPW9002C).	ea	1
H-6	H006-0260430	114633			ELBOW, tube, compression, ball sleeve, 90 deg, br, $\frac{1}{16}$ in. tube, $\frac{1}{2}$ in male pipe end (w/o nut or sleeve) (fuel strainer).	ea	1
	G503-7368272	7368272	WO-A6424 FM-GPW9034A	03-4	EXTENSION, fuel tank filler neck-----	ea	1
G-9	G503-0194025		WO-A1293 FM-GPW9276	03-4	GASKET, fuel gage (cork, $1\frac{1}{8}$ ID, x $2\frac{1}{2}$ OD x $\frac{1}{2}$ thk).	ea	1
	G503-7743730	7743730	WO-A1275 FM-GPW9035B		GASKET, fuel tank cap (for CAP WO-A1254)---	ea	1
	G503-0407836		WO-A1368 FM-GPW9289	01-1	LINE, flexible connection to fuel pump, assy-----	ea	1
G-9	3320-GPW9282		WO-A1367 FM-GPW9282		LINE, fuel filter to flexible connection, assy (for vehicles w/fuel strainer on dash).	ea	1
M-5	3320-GPW9369		WO-A1369 FM-GPW9369	01-1 05-1, 2	LINE, fuel pump to carburetor, assy-----	ea	1
G-9	3320-GPW9237		WO-A1366 FM-GPW9237		LINE, fuel tank to filter ($\frac{1}{16}$ OD, $73\frac{1}{2}$ long) (for vehicles w/fuel strainer on dash).	ea	1
G-9	3320-GPW9237B		WO-A15598 FM-GPW9237B		LINE, fuel tank to flexible connection ($\frac{1}{16}$ OD, $51\frac{1}{16}$ long) (for vehicles w/fuel TANK WO- 15507, FM-GPW9003C).	ea	1

(1) NOTE SYMBOL	(2) STOCK NO.	(3) ORDNANCE PART NO.	(4) MFR'S PART NO.	(5) FIGURE NO.	(6) NOMENCLATURE	(7) UNIT OF MEAS- URE	(8) QUAN- TITY PER UNIT ASSEM- BLY
GROUP 03—FUEL SYSTEM—Continued							
0306—FUEL TANK, LINES, AND GAGES—Continued							
H-6 G-9	H106-0117244 3320-GPW9211	117244	WO-A3056 FM-GPW1111323	03-4 03-4	NECK, fuel tank well drain hole..... PLUG, pipe, sq-hd, S, cd or zn-pltd, ¼ in..... PROTECTOR, fuel gage.....	ea ea ea	2 1 1
H-1	H001-4135745	115120	WO-A2930 FM-GPW1140474		SHIELD, fuel tank, driver's seat to rear floor.....	ea	1
H-1	H101-0119860	119860			NUT, mach screw, hex, S, phos-ctd, ¼-20NC-2.	ea	3
H-1	H001-7025785	115109			SCREW, cap, hex-hd, S, phos-ctd, ¼-20NC-3 x ½.	ea	3
H-1	H001-7043685	118773			WASHER, lock, med, S, phos-ctd, ¼ in.....	ea	3
	G503-7368273	7368273	WO-A1472 FM-GPW9095	03-4	WASHER, plain, SAE std, S, phos-ctd, ¼ in..... STRAP, hold-down, fuel tank, inner, assy.....	ea ea	3 2
	G503-7368274	7368274	WO-A1477 FM-GPW9057	03-4	STRAP, hold-down, fuel tank, outer, assy.....	ea	2
H-1	H001-4167561	120368		03-4	NUT, hex, light, s-fin, S, cd or zn-pltd, ⅝-24NF-2.	ea	2
H-1	H001-4057561	107822		03-4	NUT, jam, stamped, hex, light, 9-notch, S, cd or zn-pltd, ⅝-24NF (Willys only).	ea	2
H-1	H101-0215417	215417		03-4	SCREW, cap, hex-hd, S, cd or zn-pltd, ⅝-24NF-2 x 1¼.	ea	2
H-1	H001-7025711	120214			WASHER, lock, med, S, cd or zn-pltd, ⅝ in (Ford only).	ea	2
	G503-7368275	7368275	WO-A1221 FM-GPW9002A WO-A6618 FM-GPW9002B	03-4 18-2	TANK, fuel, assy (Used on vehicles up to Willys Serial No. 174738). TANK, fuel, assy (Used on vehicles beginning with Willys serial No. 174739) (Superseded by TANK assy WO-A15507).	ea	1
			WO-A6897 FM-GPW9001		TANK, fuel, w/EXTENSION and CAP, assy (Used on vehicles up to Willys Serial No. 174738).	ea	1
G-9	3320-GPW9002C		WO-A15507 FM-GPW9002C		TANK, fuel, w/STRAINER, assy.....	ea	1

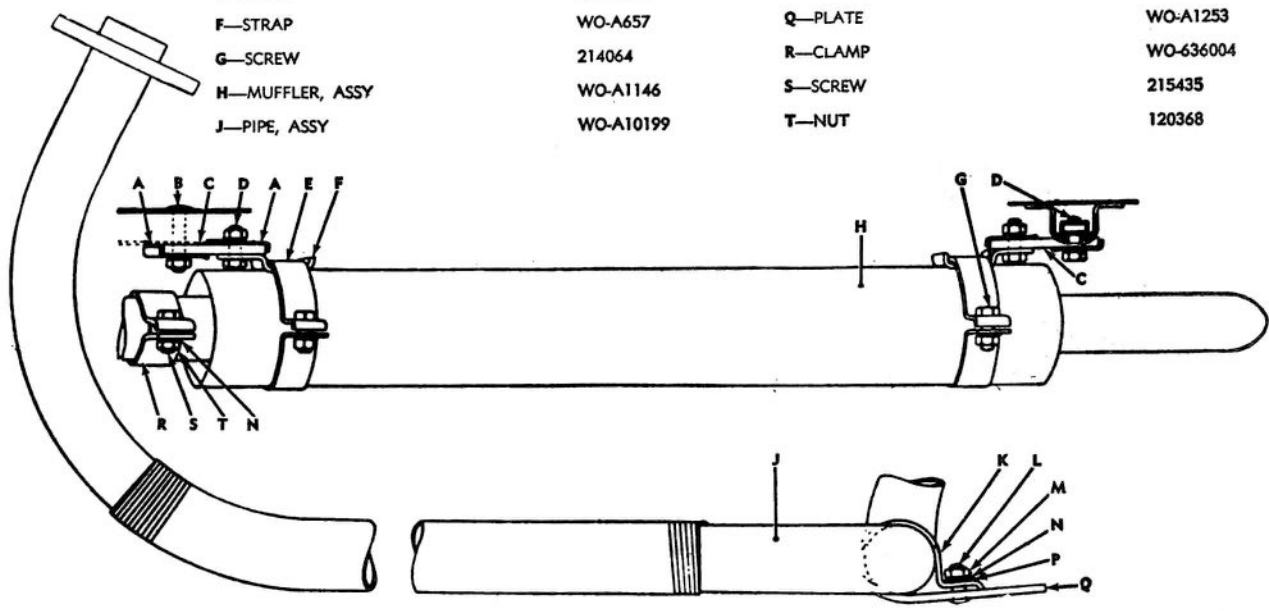
	G503-0194063		AL-9979A		UNIT, sending, fuel level, assy (Superseded by	ea	1
	G503-0194063		FM-GPW9275		UNIT WO-A1292, FM-GPW9275A).	ea	1
			WO-A1292	03-4	UNIT, sending, fuel level assy-----	ea	1
			FM-GPW9275A	06-9			
			AL-9979A				
H-1	H101-0178460	178460		03-4	SCREW, ext-teeth, lockwasher, rd-hd, header-	ea	5
					pt, S, cd or zn-pltd, No. 8-32NC-2 x 3/8.		
			WO-A3497		WELL, fuel tank drain (in front floor pan)-----	ea	1
			FM-GPW1111324				
					0309-FUEL FILTER		
G-9	G085-3005380	B246288	AC-1504117	03-5	BOWL-----	ea	1
			WO-A1263				
			FM-GPW9162				
H-6	H106-0119922	119922		03-5	BUSHING, pipe, shoulder, S, glvd, 1/4 x 3/8 (filter	ea	2
					inlet and outlet).		
			AC-1595223		CAP, dust-----	ea	2
G-9	G085-3001540	C116902	AC-1504212	03-5	COVER, mounting-----	ea	1
			WO-A1258				
			FM-GPW9149				
H-6	H006-0265105	120499			ELBOW, pipe, street, 90 deg, br, 1/4 in-----	ea	1
G-9	G508-7703774	7703774	AC-1595823	03-5	ELEMENT, assy (for FILTERS AC-1595235	ea	1
			WO-1261		and AC-1595048).		
			FM-GPW9140				
			FM-GPW9140A				
G-9	G508-7703774	7703774	AC-1595831		ELEMENT, assy for FILTER AC-1595848)-----	ea	1
G-9	G503-0183053		AC-1595235		FILTER, fuel, assy (Superseded by FILTER AC-	ea	1
			WO-A1255		1595048).		
			FM-GPW9155				
			FM-GPW9155A				
	G503-7703977	7703977	AC-1595848	05-2	FILTER, fuel, assy (Superseded by FILTER AC-	ea	1
			WO-A7850		1595048).		
			FM-GPW9155B				
			AC-1595048		FILTER, fuel, assy-----	ea	1
H-1	H001-4027541	225831			NUT, hex, reg, s-fin, S, cd or zn-pltd, 3/8-	ea	2
					24NF-2.		
H-1	H001-5421261	120647			SCREW, cap, hex-hd, S, cd or zn-pltd, 3/8-	ea	2
					24NF-3 x 1.		
H-1	H001-7025741	120382			WASHER, lock, med, S, cd or zn-pltd, 3/8 in--	ea	2
H-1	H001-7043741	120394			WASHER, plain, SAE std, S, cd or zn-pltd,	ea	2
					3/8 in.		
	G503-7743726	7743726	AC-1504486		FILTER, fuel, w/bleed VALVE, assy-----	ea	1
					Consists of		
H-6	H106-0119922	119922			2 BUSHING.		
H-6	H006-0265105	120499			1 ELBOW.		
			AC-1595048		1 FILTER, assy.		
			AC-5166140		1 VALVE.		

(1) NOTE SYMBOL	(2) STOCK NO.	(3) ORDNANCE PART NO.	(4) MFR'S PART NO.	(5) FIGURE NO.	(6) NOMENCLATURE	(7) UNIT OF MEAS- URE	(8) QUAN- TITY PER UNIT ASSEM- BLY
GROUP 03—FUEL SYSTEM—Continued							
0309—FUEL FILTER—Continued							
G-9	G085-3002280	A291725	AC-853558 WO-A1259 FM-GPW9160	03-5	GASKET, bowl.....	ea	1
G-9	G085-3002320	A291727	AC-853562 WO-A1257 FM-GPW9184	03-5	GASKET, bowl to cover screw.....	ea	1
G-9	G085-3002300	A291726	AC-853572 WO-A1260 FM-GPW9186	03-5	GASKET, element.....	ea	1
H-6	H006-0283195	127951	-----	03-5	PLUG, pipe, hex-hd, br, ¼ in. (bowl drain).....	ea	1
H-6	H006-0283568	103866	-----	03-5	PLUG, pipe, sq-hd, CI, ¼ in. (filter holes).....	ea	2
G-9	G501-5291728	A291728	AC-853634 WO-A1256 FM-GPW9183	03-5	SCREW, bowl to cover.....	ea	1
G-9	G085-3005780	A291729	AC-1504118 WO-A1262 FM-GPW9182	03-5	SPRING, retaining, element (for FILTERS AC-1595235 and AC-1595848).	ea	1
G-9	G501-7002108	7002108	AC-5570232 AC-5166140	-----	SPRING, retaining, element (for FILTER AC-1595048).	ea	1
0312—ACCELERATOR, HAND THROTTLE, AND CHOKE CONTROLS							
G-9	3320-GPW9752	-----	WO-633013 FM-GPW9752 WO-639607 FM-GPW9728	03-6	BLOCK, adjusting, accelerator throttle rod.....	ea	1
				03-6	BRACKET, accelerator cross shaft.....	ea	1
H-1	H001-4167525	115728	-----	-----	NUT, hex, light, s-fin, S, phos-ctd, ¼-28NF-2.	ea	2
H-1	H101-0144532	144532	-----	-----	STUD, S, cd, or zn-pltd, ¼-20NC (¾) x ¼-28NF-2 (¾) x ⅜.	ea	2
H-1	H001-7025685	115109	-----	-----	WASHER, lock, med, S, phos-ctd, ¼ in.	ea	2
				-----	WASHER, plain, S, ⅝ ID (at both ends of cross shaft).	ea	2
				-----	-----	-----	-----

	G503-7368258	7368258	WO-639610 FM-GPW9745	03-6	CLIP, throttle rod retracting spring (on throttle rod).	ea	1
H-1	H001-4135661	120361	-----	-----	NUT, mach screw, hex, S, ed or zn-pltd, No. 10-24NC-2.	ea	1
H-1	H001-0811025	103361	-----	-----	PIN, cotter, split, S, $\frac{1}{16}$ x $\frac{1}{2}$.	ea	2
H-1	H001-7043621	120391	-----	-----	WASHER, plain, SAE std, S, ed or zn-pltd, No. 10.	ea	2
	G503-7368257	7368257	WO-A1173 FM-GPW9751	01-16	CLIP, throttle rod retracting spring (under carburetor attaching stud nut).	ea	1
G-9	3320-GPW9731B	-----	WO-651298 FM-GPW9731B	03-6	CONNECTION, accelerator pedal.	ea	1
G-9	3320-GPW9700	-----	WO-A1301 FM-GPW9700	03-6	CONTROL, choke, assy (Superseded by CONTROL WO-A7517, FM-GPW9775B).	ea	2
	G503-7704013	7704013	WO-A5106 FM-GPW9775	03-6	CONTROL, throttle, assy (Superseded by CONTROL WO-A7517, FM-GPW9775B).	ea	2
G-9	3320-GPW9775B	-----	WO-A7517 FM-GPW9775B	18-2	CONTROL, throttle or choke, assy (Includes CASING, KNOB, PLUNGER, and WIRE).	ea	2
			WO-650482 FM-GPW9711	03-6	HINGE, accelerator pedal (female).	ea	1
H-1	H001-4135661	120361	-----	-----	NUT, mach screw, hex, S, ed or zn-pltd, No. 10-24NC-2.	ea	2
H-1	H101-0120687	120687	-----	-----	SCREW, mach, fil-hd, S, ed or zn-pltd, No. 10-24NC-2 x $\frac{1}{2}$.	ea	2
H-1	H001-7025621	120217	-----	-----	WASHER, lock, med, S, ed or zn-pltd, No. 10.	ea	2
G-9	3320-GPW9778	-----	WO-A1307 WO-A1308	-----	KNOB, throttle or choke control, w/PLUNGER and WIRE, assy (Superseded by KNOB WO-A7518).	ea	2
G-9	3320-GPW9778	-----	WO-A7518 FM-GPW9778	03-6	KNOB, throttle and choke control, w/PLUNGER and WIRE, assy.	ea	2
G-9	3320-GPW9726	-----	WO-A1910 FM-GPW9726	-----	LEVER, accelerator cross shaft, w/BRACKET, assy.	ea	1
G-9	3320-GPW9727	-----	WO-A1174 FM-GPW9727	-----	LINK, connecting, accelerator pedal.	ea	1
G-9	3320-GPW9719	-----	WO-A6710 FM-GPW9719	03-6	LINK, connecting, accelerator pedal (Willys only).	ea	1
H-1	H001-0811026	107761	-----	-----	PIN, cotter, split, S, $\frac{1}{16}$ x $\frac{3}{8}$.	ea	1
H-1	H001-7043681	120392	-----	-----	WASHER, plain, SAE std, S, ed or zn-pltd, $\frac{1}{4}$ in.	ea	1
G-9	3320-GPW9735A	-----	FM-GPW9735A	-----	PEDAL, accelerator, assy (Ford) (Superseded by PEDAL WO-A6851, FM-GPW9735B).	ea	1
G-9	3320-GPW9735A	-----	WO-A1083	03-6	PEDAL, accelerator, assy (Willys) (Superseded by PEDAL, WO 640720).	ea	1
G-9	3320-GPW9735B	-----	WO-A6851 FM-GPW9735B	18-2	PEDAL, accelerator, w/HINGE and LINK, assy (Ford).	ea	1

(1) NOTE SYMBOL	(2) STOCK NO.	(3) ORDNANCE PART NO.	(4) MFR'S PART NO.	(5) FIGURE NO.	(6) NOMENCLATURE	(7) UNIT OF MEAS- URE	(8) QUAN- TITY PER UNIT ASSEM- BLY
					GROUP 03—FUEL SYSTEM—Continued		
					0312—ACCELERATOR, HAND THROTTLE, AND CHOKE CON- TROLS—Continued		
	G503-7743757	7743757	WO-640720	-----	PEDAL, accelerator, w/HINGE and LINK, assy (Willys).	ea	1
H-1	H001-4135661	120361	-----	-----	NUT, mach screw, hex, S, cd or zn-pltd, No. 10-24NC-2.	ea	2
H-1	H101-0123854	123854	-----	-----	SCREW, mach, fl-hd, S, cd or zn-pltd, No. 10-24NC-2 x 1/2.	ea	2
H-1	H001-7025621	120217	-----	-----	WASHER, lock, med, S, cd or zn-pltd, No. 10.	ea	2
	G503-7368259	7368259	WO-A1225	03-6	REST, foot, accelerator-----	ea	1
			FM-GPW9716	18-2			
H-1	H001-4185561	124920	-----	-----	NUT, jam, hex, light, s-fin, S, cd or zn-pltd, 5/16-24NF-2.	ea	1
G-9	3320-GPW9742	-----	WO-A1273	03-6	ROD, throttle (Superseded by ROD WO-A1175, FM-GPW9742).	ea	1
G-9	3320-GPW9742	-----	WO-A1175	-----	ROD, throttle-----	ea	1
			FM-GPW9742				
H-1	H001-0811026	107761	-----	-----	PIN, cotter, split, S, 1/16 x 3/8-----	ea	2
G-9	3320-GPW9730	-----	WO-A1172	-----	SHAFT, cross, accelerator, assy-----	ea	1
			FM-GPW9730				
G-9	3320-GPW9739	-----	WO-A1243	03-6	SHAFT, cross, accelerator, w/LEVER, assy-----	ea	1
			FM-GPW9739				
G-9	9680-A6853	-----	WO-A6853	-----	SOCKET, accelerator pedal link-----	ea	1
G-9	3320-GPW9737	-----	WO-632174	-----	SPRING, accelerator cross shaft-----	ea	1
			FM-GPW9737				
G-9	3320-GPW9795	-----	WO-650483	-----	SPRING, accelerator pedal hinge-----	ea	1
			FM-GPW9795				
G-9	3320-GPW9799	-----	WO-633011	03-6	SPRING, retracting, accelerator-----	ea	1
			FM-GPW9799	05-1			
G-9	3320-GPW11474	-----	WO-372438	03-6	STOP, throttle wire-----	ea	1
			FM-GPW11474				
G-9	3320-GPW11495	-----	WO-A8834	-----	STOP, throttle wire, w/SCREW, assy-----	ea	1
			FM-GPW11495				

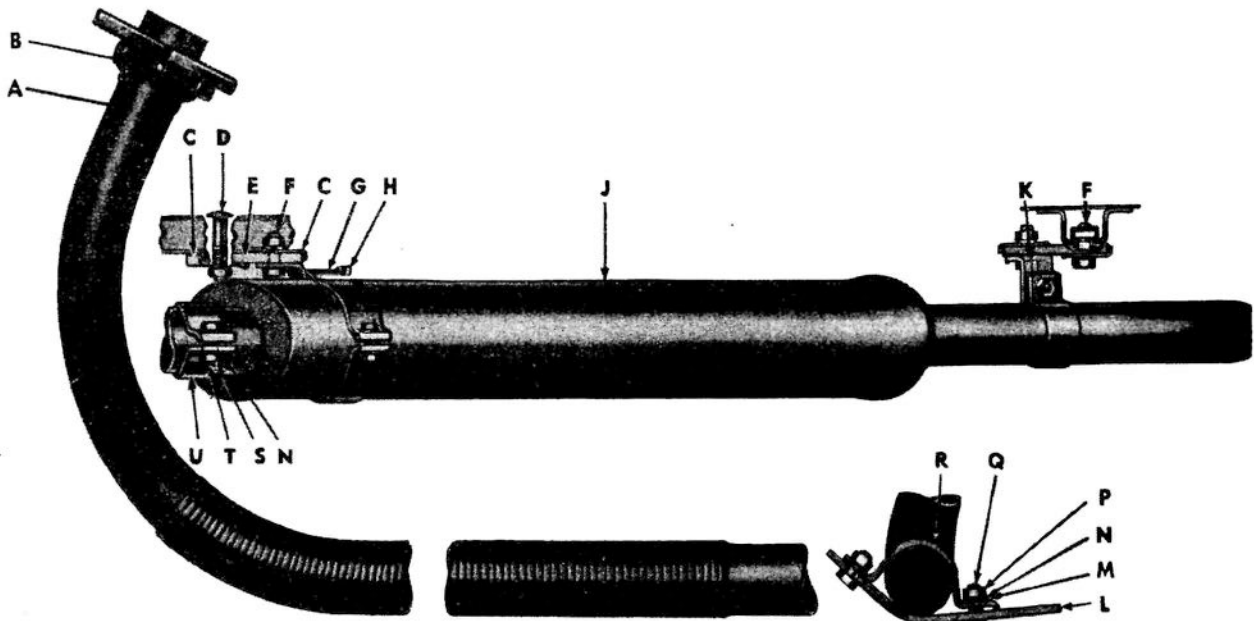
KEY ITEM	PART NO.	KEY ITEM	PART NO.
A—PLATE	WO-638058	K—CLAMP	WO-A1300
B—BOLT	548021	L—BOLT	126353
C—INSULATOR	WO-A658	M—NUT	118614
D—SCREW	213908	N—WASHER	120393
E—CLAMP	WO-A655	P—WASHER	120214
F—STRAP	WO-A657	Q—PLATE	WO-A1253
G—SCREW	214064	R—CLAMP	WO-636004
H—MUFFLER, ASSY	WO-A1146	S—SCREW	215435
J—PIPE, ASSY	WO-A10199	T—NUT	120368



ALL PARTS LISTED IN GROUP 0401.

RA PD 354938

Figure 04-1. Exhaust system (round type muffler).



KEY ITEM
 A—PIPE, ASSY
 B—FLANGE
 C—PLATE
 D—BOLT
 E—INSULATOR
 F—SCREW
 G—CLAMP
 H—STRAP
 J—MUFFLER, ASSY
 K—CLAMP

PART NO.
 WO-A8101
 WO-630526
 WO-638058
 548021
 WO-A658
 213908
 WO-A5753
 WO-A657
 WO-A6118
 WO-A6119

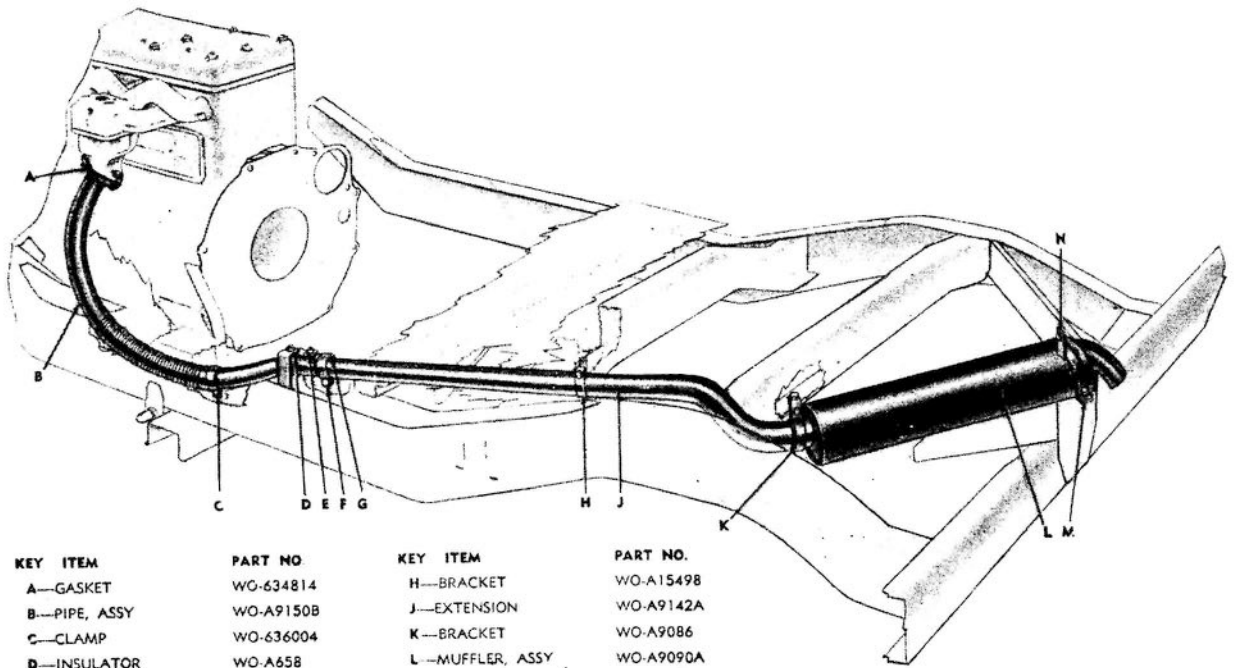
KEY ITEM
 L—PLATE
 M—WASHER
 N—WASHER
 P—NUT
 Q—BOLT
 R—CLAMP
 S—NUT
 T—SCREW
 U—CLAMP

PART NO.
 WO-A1253
 120214
 120393
 118614
 126353
 WO-A1300
 120368
 215435
 WO-636004

ALL PARTS LISTED IN GROUP 0401.

RA PD 342252G

Figure 04-2. Exhaust system (oval type muffler).



KEY ITEM	PART NO
A—GASKET	WO-634814
B—PIPE, ASSY	WO-A9150B
C—CLAMP	WO-636004
D—INSULATOR	WO-A658
E—PLATE	WO-638058
F—CLAMP	WO-A7082
G—STRAP	WO-A657

KEY ITEM	PART NO.
H—BRACKET	WO-A15498
J—EXTENSION	WO-A9142A
K—BRACKET	WO-A9086
L—MUFFLER, ASSY	WO-A9090A
M—CLAMP	WO-A5753
N—BRACKET	WO-A9084

ALL PARTS LISTED IN GROUP 0401.1

RA PD 355084

Figure 04-3. Exhaust system (deep mud type).

(1) NOTE SYMBOL	(2) STOCK NO.	(3) ORDNANCE PART NO.	(4) MFR'S PART NO.	(5) FIGURE NO.	(6) NOMENCLATURE	(7) UNIT OF MEAS- URE	(8) QUAN- TITY PER UNIT ASSEM- BLY
GROUP 04—EXHAUST SYSTEM							
0401—MUFFLER AND EXHAUST PIPE (ROUND AND OVAL TYPE)							
G-9	3320-GPW5251	-----	WO-A1300 FM-GPW5251	04-1, 2	CLAMP, exhaust pipe (to frame)-----	ea	1
H-1	H001-3015371	126353	-----	04-1, 2	BOLT, carriage, rd-hd, sq-nk, S, cd or zn-pltd, 5/16-18NC-2 x 7/8.	ea	1
H-1	H001-4167545	118614	-----	04-1, 2	NUT, hex, light, s-fin, S, phos-ctd; 5/16-18NC-2	ea	2
H-1	-----	214645	-----	-----	SCREW, cap, hex-hd, S, phos-ctd, 5/16-18NC-2 x 3/4.	ea	1
H-1	H001-7025711	120214	-----	04-1, 2	WASHER, lock, med, S, cd or zn-pltd, 5/16 in..	ea	2
H-1	H001-7043711	120393	-----	04-1, 2	WASHER, plain, SAE std, S, cd or zn-pltd, 5/16 in.	ea	2
G-9	3320-GPW5270	-----	WO-636004 FM-GPW5270	04-1, 2	CLAMP, exhaust pipe (to muffler)-----	ea	1
H-1	H001-4167561	120368	-----	04-1, 2	NUT, hex, light, s-fin, S, cd or zn-pltd, 5/16- 24NF-2.	ea	1
H-1	H001-0215435	215435	-----	04-1, 2	SCREW, cap, hex-hd, S, cd or zn-pltd, 5/16- 24NF-2 x 1 1/8.	ea	1
H-1	H001-7025711	120214	-----	04-1, 2	WASHER, lock, med, S, cd or zn-pltd, 5/16 in..	ea	1
H-1	H101-0118665	118665	-----	-----	WASHER, plain, US std, S, phos-ctd, 5/16 in..	ea	1
G-9	3320-GPW5264B	-----	WO-A5753 FM-GPW5264B	04-2	CLAMP, support, muffler (oval type muffler)-----	ea	1
G-9	3320-GPW5264A	-----	WO-A655 FM-GPW5264 FM-GPW5264A	04-1	CLAMP, support, muffler (round type muffler)----	ea	2
H-1	H001-4167561	120368	-----	04-1	NUT, hex, light, s-fin, S, cd or zn-pltd, 5/16- 24NF-2.	ea	2
H-1	H101-0214064	214064	-----	04-1	SCREW, cap, hex-hd, S, phos-ctd, 5/16-24NF-2 x 1 1/2.	ea	2
H-1	H001-7025711	120214	-----	-----	WASHER, lock, med, S, cd or zn-pltd, 5/16 in..	ea	2
G-9	3320-GPW5298	-----	WO-A6119 FM-GPW5298	04-2	CLAMP, tail pipe (oval type muffler)-----	ea	1
H-1	H001-4167561	120368	-----	-----	NUT, hex, light, s-fin, S, cd or zn-pltd, 5/16- 24NF-2.	ea	1
H-1	H101-0215435	215435	-----	-----	SCREW, cap, hex-hd, S, cd or zn-pltd, 5/16- 24NF-2 x 1 1/8.	ea	1
H-1	H001-7025711	120214	-----	-----	WASHER, lock, med, S, cd or zn-pltd, 5/16 in..	ea	1

H-1	H101-0118665	118665			WASHER, plain, US std. S, phos-ctd, $\frac{1}{16}$ in	ea	1
G-9	3320-GPW5269		WO-630526 FM-GPW5269	04-2	FLANGE, exhaust pipe	ea	1
H-1	H101-0503155	503155			NUT, hex, light, thick, s-fin, S, seez-pruf-thd- ctd, $\frac{3}{8}$ -16NC-2.	ea	1
H-1	H101-0122188	122188			SCREW, cap, hex-hd, S, cd or zn-pltd, $\frac{3}{8}$ - 16NC-3 x 2 $\frac{1}{4}$.	ea	1
H-1	H001-7025745	115093			WASHER, lock, med, S, phos-ctd, $\frac{3}{8}$ in	ea	1
G-9	3320-GPW9450		WO-634814 FM-GPW9450		GASKET, exhaust pipe flange	ea	1
G-9	3320-GPW5283		WO-A658 FM-GPW5283	04-1, 2	INSULATOR, muffler support	ea	2
H-1	H101-0548021	548021		04-1, 2	BOLT, carriage, rd-hd, sq-nk, S, cd or zn- pltd, w/nut, $\frac{1}{16}$ -18NC-2 x 1 $\frac{1}{4}$.	ea	1
H-1	H001-4167561	120368		04-1, 2	NUT, hex, light, s-fin, S, cd or zn-pltd, $\frac{1}{16}$ - 24NF-2.	ea	3
H-1	H101-0213908	213908		04-1, 2	SCREW, cap, hex-hd, S, phos-ctd, $\frac{1}{16}$ -24NF-2 x $\frac{3}{8}$.	ea	2
H-1	H001-7025711	120214		04-1, 2	WASHER, lock, med, S, cd or zn-pltd, $\frac{1}{16}$ in	ea	4
	G503-7332019	7332019	WO-A6118 FM-GPW5230B	04-2	MUFFLER, exhaust, oval type, assy	ea	1
	G503-7704110	7704110	WO-A1146 FM-GPW5230 FM-GPW5230A	04-1	MUFFLER, exhaust, round type, assy	ea	1
G-9	9680-A8101		WO-A8101	04-2	PIPE, exhaust, w/o FLANGE, assy (Willys) (Superseded by PIPE WO-A10199, FM- GPW5246B).	ea	1
G-9	3320-GPW5246		WO-A1296 FM-GPW5246		PIPE, exhaust, w/ welded on FLANGE, and bond STRAP, assy (Ford) (Superseded by PIPE WO-A10199, FM-GPW5246B).	ea	1
G-9	3320-GPW5246B		WO-A10199 FM-GPW5246B	04-1	PIPE, exhaust, w/welded on FLANGE, assy	ea	1
H-1	H001-4165600	114547			NUT, hex, light, s-fin, br, $\frac{3}{8}$ -24NF-2	ea	1
H-1	H101-0219432	219432		01-16	NUT, hex, light, thck, S, cd or zn-pltd, $\frac{3}{8}$ -16NC-2.	ea	1
H-1	H101-0215547	215547			SCREW, cap, hex-hd, S, cd or zn-pltd, $\frac{3}{8}$ - 24NF-2 x 1 $\frac{1}{8}$.	ea	1
	G503-7734419	7734419	WO-332515 FM-88032S		STUD, S, $\frac{3}{8}$ -16NC x $\frac{3}{8}$ -24NF-2 x 1 $\frac{1}{8}$	ea	1
	G503-7697869	7697869	WO-A1253 FM-GPW5291B	04-1, 2	PLATE, skid, exhaust pipe guard (also listed in group 1501).	ea	1
G-9	3320-GPW5274		WO-638058 FM-GPW5274	04-1, 2	PLATE, support strap insulator	ea	4
G-9	3320-GPW5262		WO-A657 FM-GPW5262	04-1, 2	STRAP, support (muffler clamp) (2 for round type muffler, 1 for oval type muffler).	ea	2

(1) NOTE SYMBOL	(2) STOCK NO.	(3) ORDNANCE PART NO.	(4) MFR'S PART NO.	(5) FIGURE NO.	(6) NOMENCLATURE	(7) UNIT OF MEAS- URE	(8) QUAN- TITY PER UNIT ASSEM- BLY
GROUP 04—EXHAUST SYSTEM—Continued							
0401.1—MUFFLER AND EXHAUST PIPE (DEEP MUD TYPE)							
G-9	3320-GPW5265	-----	WO-A15498 FM-GPW5265	04-3	BRACKET, exhaust pipe extension-----	ea	1
G-9	3320-GPW5253	-----	FM-GPW5253	-----	BRACKET, muffler front clamp (Ford only)-----	ea	1
G-9	9680-A9086	-----	WO-A9086	04-3	BRACKET, muffler front clamp (Willys only)-----	ea	1
G-9	3320-GPW5266	-----	WO-A9084 FM-GPW5266	04-3	BRACKET, muffler rear clamp-----	ea	1
H-1	H001-4171561	121917	-----	-----	NUT, hex, light, s-fin, S, cd or zn-pltd, $\frac{5}{16}$ - 24NF-3.	ea	3
H-1	-----	503122	-----	-----	NUT, hex, reg, s-fin, S, seez-pruf-thd-ctd, $\frac{5}{16}$ -24NF-2.	ea	2
H-1	H001-5419781	123473	-----	-----	SCREW, cap, hex-hd, S, cd or zn-pltd, $\frac{5}{16}$ - 24NF-3 x $\frac{5}{8}$.	ea	3
H-1	H001-5419861	121661	-----	-----	SCREW, cap, hex-hd, S, cd or zn-pltd, $\frac{5}{16}$ - 24NF-3 x 1.	ea	2
H-1	H001-7025711	120214	-----	-----	WASHER, lock, med, S, cd or zn-pltd, $\frac{5}{16}$ in.	ea	5
H-1	H001-7043711	120393	-----	-----	WASHER, plain, SAE std, S, cd or zn-pltd, $\frac{5}{16}$ in.	ea	2
G-9	3320-GPW5251B	-----	WO-A9082 FM-GPW5251B	04-3	CLAMP, exhaust pipe extension support strap----	ea	1
G-9	3320-GPW5270	-----	WO-636004 FM-GPW5270	04-3	CLAMP, exhaust pipe (to pipe extension)-----	ea	1
G-9	3320-GPW5264B	-----	WO-A5753 FM-GPW5264B	04-3	CLAMP, support muffler (rear)-----	ea	1
H-1	-----	503122	-----	-----	NUT, hex, reg, s-fin, S, seez-pruf-thd-ctd, $\frac{5}{16}$ -24NF-2.	ea	3
H-1	H001-5419861	121661	-----	-----	SCREW, cap, hex-hd, S, cd or zn-pltd, $\frac{5}{16}$ - 24NF-3 x 1.	ea	3
H-1	H001-7025711	120214	-----	-----	WASHER, lock, med, S, cd or zn-pltd, $\frac{5}{16}$ in.	ea	3
H-1	H001-7043711	120393	-----	-----	WASHER, plain, SAE std, S, cd or zn-pltd, $\frac{5}{16}$ in.	ea	3
G-9	3320-GPW5245B	-----	WO-A9142A FM-GPW5245B	04-3	EXTENSION, exhaust pipe-----	ea	1
M-5	-----	-----	WO-634814	04-3	GASKET, exhaust pipe flange-----	ea	1

G-9	3320-GPW5283	-----	WO-A658 FM-GPW5283	04-3	INSULATOR, muffler support (extension pipe) ----	ea	1
H-1	-----	503122	-----	-----	NUT, hex, reg, s-fin, S, seaz-pruf-thd-ctd, 5/16-24NF-2.	ea	2
H-1	H001-5026421	213907	-----	-----	SCREW, cap, hex-hd, S, cd or zn-pltd, 5/16- 24NF-2 x 5/8.	ea	2
H-1	H001-7025711	120214	-----	-----	WASHER, lock, med, S, cd or zn-pltd, 5/16 in---	ea	2
G-9	3320-GPW5230C	-----	WO-A9090A FM-GPW5230C	04-3	MUFFLER, exhaust, deep mud type, assy -----	ea	1
G-9	3320-GPW5233	-----	WO-A9150B FM-GPW5233	04-3	PIPE, exhaust, assy (includes FLANGE, flexible CONNECTOR and INSERT).	ea	1
H-1	-----	503123	-----	-----	NUT, hex, reg, s-fin, S, seaz-pruf-thd-ctd, 3/8- 24NF-2.	ea	2
H-1	H101-O215547	215547	-----	-----	SCREW, cap, hex-hd, S, cd or zn-pltd, 3/8- 24NF-2 x 1 1/8.	ea	
H-1	-----	191992	-----	01-16	STUD, S, cd or zn-pltd, 3/8-16NC x 3/8-24NF-2 x 1 1/8.	ea	1
G-9	3320-GPW5274	-----	WO-638058 FM-GPW5274	04-3	PLATE, exhaust pipe extension insulator-----	ea	2
G-9	3320-GPW5262	-----	WO-A657 FM-GPW5262	04-3	STRAP, support (exhaust pipe extension clamp)---	ea	1

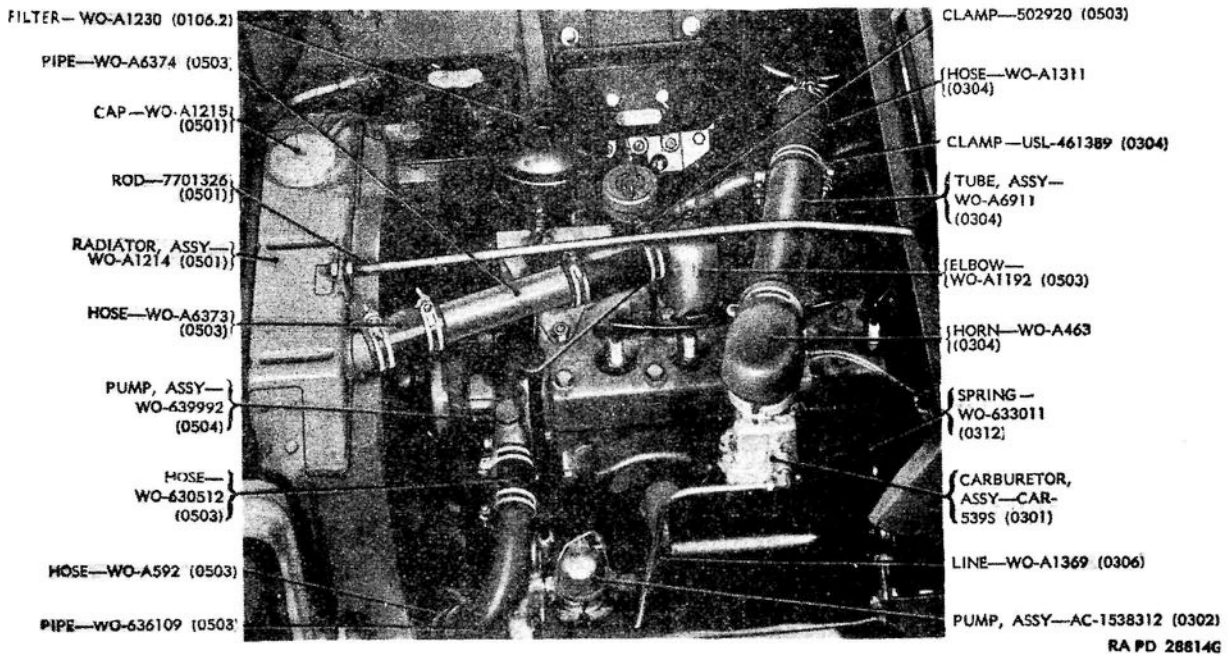


Figure 05-1. Water and air connections.

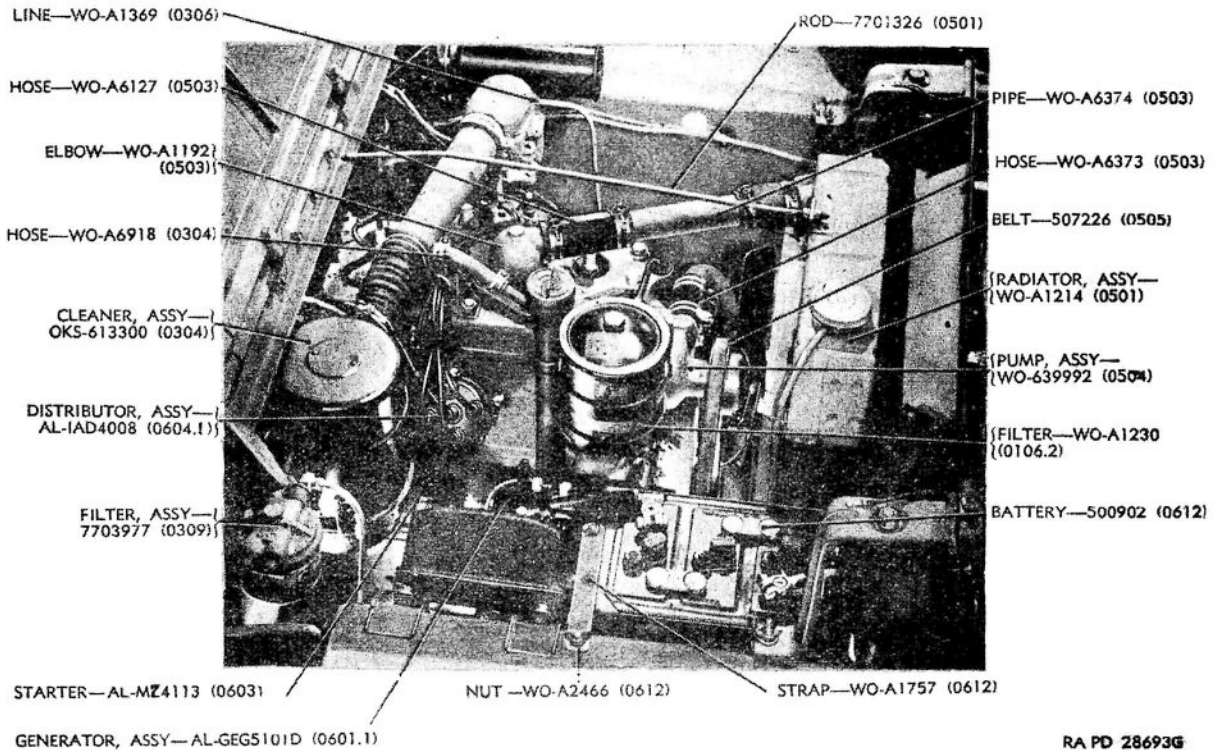


Figure 05-2. Water connection and electrical units.

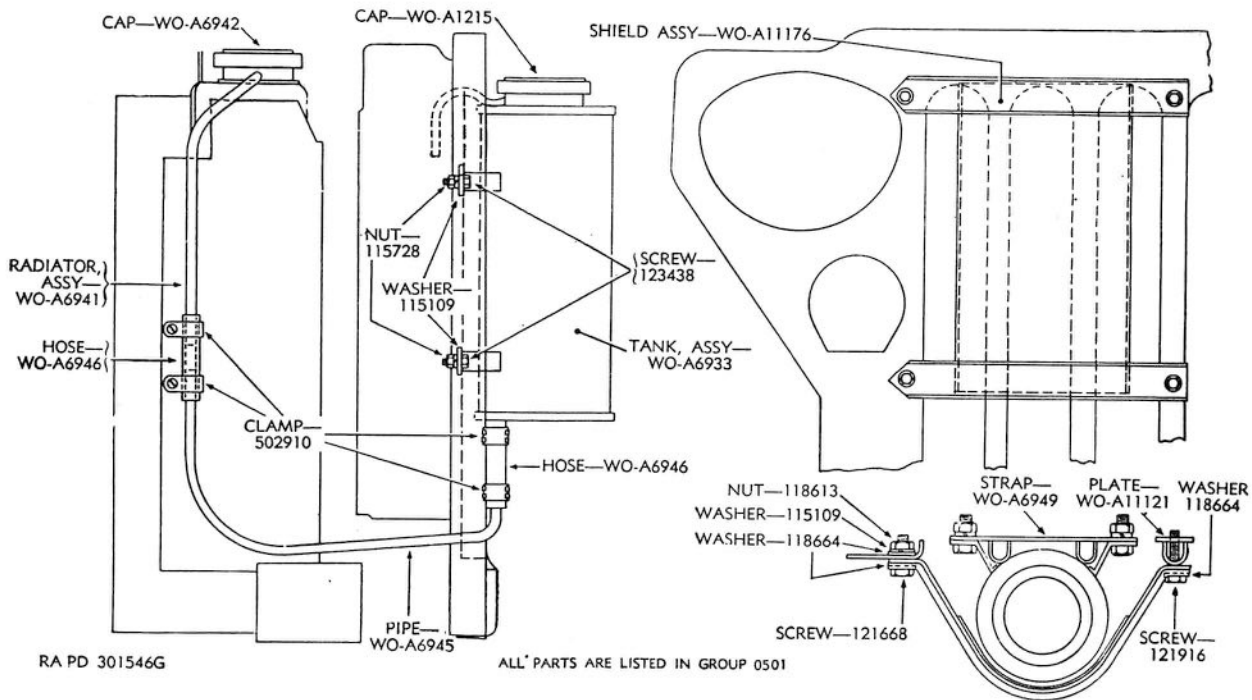
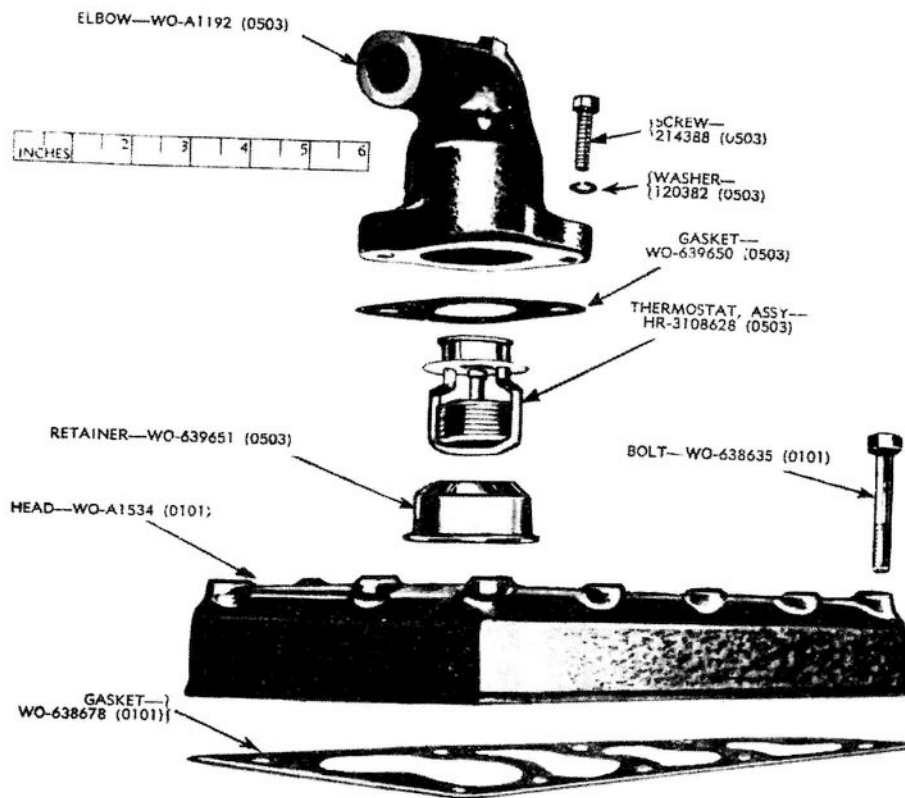
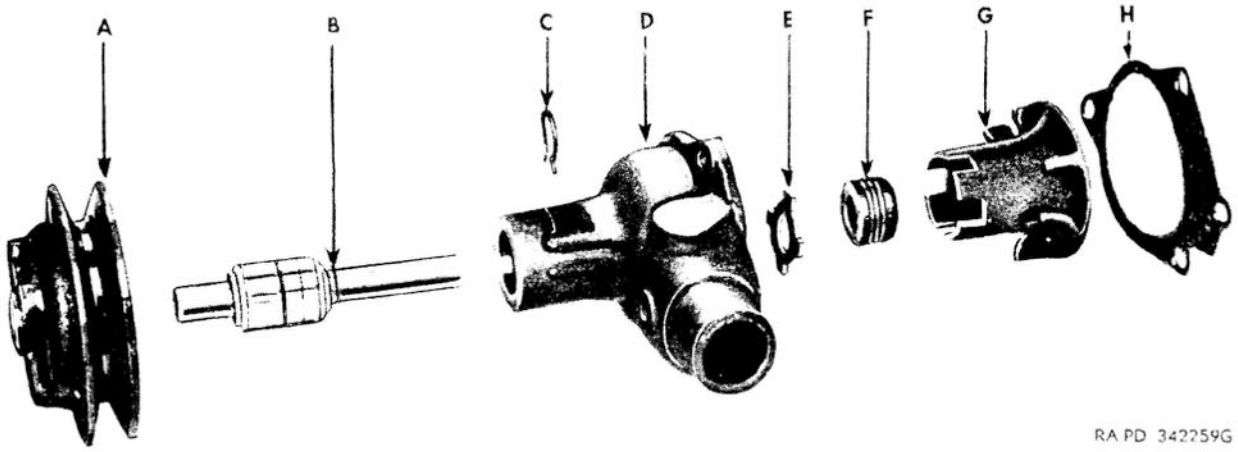


Figure 05-3. Surge tank installation.



RA PD 305236G

Figure 05-4. Thermostat and related parts.



RA PD 342259G

KEY ITEM	PART NO.	GROUP	KEY ITEM	PART NO.	GROUP
A—PULLEY	WO-636299	0505	E—WASHER	WO-640034	0504
B—BEARING, ASSEMBLY	710151	0504	F—SEAL, ASSEMBLY	WO-640031	0504
C—SPRING	WO-636298	0504	G—IMPELLER	WO-639993	0504
D—BODY	WO-637052	0504	H—GASKET	WO-637053	0504

Figure 05-5. Water pump—exploded view.

(1) NOTE SYMBOL	(2) STOCK NO.	(3) ORDNANCE PART NO.	(4) MFR'S PART NO.	(5) FIGURE NO.	(6) NOMENCLATURE	(7) UNIT OF MEAS- URE	(8) QUAN- TITY PER UNIT ASSEM- BLY
GROUP 05—COOLING SYSTEM							
0501—RADIATOR AND SURGE TANK							
G-9	G503-0131549	7734710	WO-A1215 FM-GPW8100A AC-846709	05-1, 3	CAP, filler, assy (optional w/CAP WO-645187) (for RADIATOR WO-A1214 or Surge TANK WO-A6933).	ea	1
G-9	9680-A6942		WO-645187	05-3	CAP, filler, assy (optional w/CAP WO-A1215)-----	ea	1
H-6	H106-0103647	103647	WO-A6942		CAP, filler, assy (for RADIATOR WO-6941)-----	ea	1
G-9	G501-5262210	A262210	WO-A1216 FM-K7129B AC-846732		COCK, drain, tee-hdl, br, ¼ in. male pipe end (type C).	ea	1
G-9	G503-7744328	7744328	WO-A1216		GASKET, filler cap (for CAP WO-A1215)-----	ea	1
H-6	H006-0502910	502910	FM-K7129B	05-3	HOSE, radiator to surge tank pipe-----	ea	2
G-9	G503-7697863	7697863	AC-846732	05-3	CLAMP, hose, S, cd or zn-pltd, 5/8 in-----	ea	4
G-9	3320-GPW8005		WO-A6945	05-3	PIPE, radiator to surge tank-----	ea	1
G-9			WO-A11121	05-3	PLATE, tapping, surge tank shield-----	ea	2
G-9			WO-A1214	05-1, 2	RADIATOR, w/TANK and SHROUD, assy (Used when Surge Tank is not installed).	ea	1
G-9	9680-A6941		FM-GPW8005 FM-GPW8005A		RADIATOR, w/TANK and SHROUD, assy (Used when Surge Tank is installed).	ea	1
H-1	H101-0247245	427245	WO-A6941	05-3	BOLT, carriage, rd-hd, sq-nk, S, cd-pltd, 7/16-20NF-2 x 1½.	ea	2
H-1	H001-7124761	178571	FM-355762S7		NUT, hex, reg, unfin, S, cd or zn-pltd, 7/16-20NF-2.	ea	4
H-1	H001-7043771	120395	WO-53027		WASHER, lock, int-ext-teeth, S, cd-pltd, 7/16 in.	ea	2
H-1	H001-4167561	120368	FM-356314S7		WASHER, plain, SAE std, S, cd or zn-pltd, 7/16 in.	ea	2
G-9	G503-7701326	7701326	WO-A1217	05-1, 2	ROD, brace, radiator-----	ea	1
H-1	H001-4167561	120368	FM-GPW8133		NUT, hex, light, s-fin, S, cd or zn-pltd, 7/16-24NF-2.	ea	3
H-1	H001-7025711	120214	WO-A11176	05-3	WASHER, lock, med, S, cd or zn-pltd, 7/16 in-----	ea	2
H-1	H001-4167505	118613		05-3	SHIELD, surge tank, assy-----	ea	1
H-1	H101-0121668	121668		05-3	NUT, hex, light, s-fin, S, phos-ctd, ¼-20NC-2.	ea	2
				05-3	SCREW, cap, hex-hd, S, phos-ctd, ¼-20NC-3 x ¾.	ea	2

(1) NOTE SYMBOL	(2) STOCK NO.	(3) ORDNANCE PART NO.	(4) MFR'S PART NO.	(5) FIGURE NO.	(6) NOMENCLATURE	(7) UNIT OF MEAS- URE	(8) QUAN- TITY PER UNIT ASSEM- BLY
GROUP 05—COOLING SYSTEM—Continued							
0501—RADIATOR AND SURGE TANK—Continued							
H-1	H101-0121916	121916	-----	05-3	SCREW, cap, hex-hd, S, phos-ctd, ¼-20NC-3 x 1¼.	ea	2
H-1	H001-7025685	115109	-----	05-3	WASHER, lock, med, S, phos-ctd, ¼ in-----	ea	4
H-1	H001-7045535	118664	-----	05-3	WASHER, plain, US std, S, phos-ctd, ¼ in---	ea	6
G-9	G503-7701327	7701327	WO-A4413 FM-GPW8125A WO-A6949	-----	SHIM, radiator to support bracket-----	ea	2
H-1	H001-4167525	115728	-----	05-3	STRAP, mounting, surge tank-----	ea	2
H-1	H101-0123438	123438	-----	05-3	NUT, hex, light, s-fin, S, phos-ctd, ¼-28NF-2.	ea	4
H-1	H101-0123438	123438	-----	05-3	SCREW, cap, hex-hd, S, phos-ctd, ¼-28NF-3 x ¾.	ea	4
H-1	H001-7025685	115109	-----	05-3	WASHER, lock, med, S, phos-ctd, ¼ in-----	ea	4
	G503-7744983	7744983	WO-A6933	05-3	TANK, surge, assy-----	ea	1
0503—WATER LINES AND THERMOSTAT							
G-9	3320-GPW8250	-----	WO-A1192 FM-GPW8250	01-4, 05-1, 2, 4	ELBOW, engine cylinder head water outlet-----	ea	1
H-1	H101-0214388	214388	-----	05-4	SCREW, cap, hex-hd, S, cd or zn-pltd, ¾- 16-NC-2 x 1¼.	ea	3
H-1	H001-7025741	120382	-----	05-4	WASHER, lock, med, S, cd or zn-pltd, ¾ in---	ea	3
M-5	G503-0194030	-----	WO-639650 FM-GPW8255	05-4	GASKET, water outlet elbow (engine cylinder head).	ea	1
G-9	G503-0217818	-----	WO-A6127 FM-GPW8286	05-2	HOSE, engine water outlet-----	ea	1

G-9	G503-0217822		WO-A6373 FM-GPW8285 WO-630512	05-1, 2	HOSE, radiator water inlet	ea	1
G-9	3320-GPW8284		WO-A592 FM-GPW8284	05-1	HOSE, radiator water outlet, lower	ea	1
G-9	G503-0217822		WO-630512 FM-IGT8260	05-1	HOSE, radiator water outlet, upper	ea	1
H-6	H006-0502920 G503-0217818	502920	WO-A6127 FM-GPW8286	05-1	CLAMP, hose, S, cd or zn-pltd, 1 $\frac{1}{8}$ in.	ea	8
	G503-0217817		WO-A5164 FM-GPW8260		HOSE, thermostat to radiator (Replaces PIPE WO-A6374 and HOSES WO-A6373 and WO- A6127).	ea	1
G-9	3320-GPW8290		WO-A6374 FM-GPW8290	05-1, 2	HOSE, water pump to radiator (Replaces PIPE WO-636109 and HOSES WO-A592 and WO- 630512).	ea	1
G-9	3320-GPW8269		WO-636109 FM-GPW8269	05-1	PIPE, radiator water inlet	ea	1
M-5	3320-GPW8578		WO-639651 FM-GPW8578	01-4	PIPE, radiator water outlet	ea	1
M-5	G503-0400093		HR-3108628 WO-637646 FM-GPW8575	05-4 01-4 05-4	RETAINER, water control thermostat	ea	1
					THERMOSTAT, engine water control, assy.	ea	1

(1) NOTE SYMBOL	(2) STOCK NO.	(3) ORDNANCE PART NO.	(4) MFR'S PART NO.	(5) FIGURE NO.	(6) NOMENCLATURE	(7) UNIT OF MEAS- URE	(8) QUAN- TITY PER UNIT ASSEM- BLY
GROUP 05-COOLING SYSTEM-Continued							
0504-WATER PUMP							
H-12	H012-0900105	710161	ND-885141	01-4 05-5	BEARING, ball, No. ND-885141 (Includes fan and pump SHAFT).	ea	1
H-12	H012-0710103	710103	ND-885141D		BEARING, ball, No. ND-885141D (Optional w/BEARING 710161).	ea	1
			WO-640032 FM-GPW8548		BELLOWS, water seal	ea	1
G-9	3320-GPW8505		WO-637052 FM-GPW8505	05-5	BODY	ea	1
M-5	G503-0194016		WO-637053 FM-GPW8543	05-5	GASKET, pump to cylinder block	ea	1
M-5	3320-GPW8512		WO-639993 FM-GPW8512	01-4 05-5	IMPELLER	ea	1
M-5	G503-0345896		WO-639992 FM-GPW8501	05 1, 2	PUMP, water, assy	ea	1
H-1	H001-5026131	193990			SCREW, cap, hex-hd, S, cd or zn-pltd, $\frac{5}{16}$ -18NC-2 x $\frac{3}{8}$.	ea	3
H-1	H001-5026201	213705			SCREW, cap, hex-hd, S, cd or zn-pltd, $\frac{5}{16}$ -18NC-2 x $2\frac{1}{2}$.	ea	1
H-1	H001-7025711	120214			WASHER, lock, med, S, cd or zn-pltd, $\frac{5}{16}$ in.	ea	4
M-5	3320-GPW8521		WO-639663 FM-GPW8521		SEAL, water, assy (Superseded by SEAL, WO 640031).	ea	1
M-5	3320-GPW8521		WO-640031 FM-GPW8521A	01-1 05-5	SEAL, water, assy	ea	1
M-5	3320-GPW8576		WO-636298 FM-GPW8576	05-5	SPRING, retaining, shaft bearing	ea	1
			WO-640033 FM-GPW8572B		SPRING, water seal	ea	1
M-5	G503-7362105	7362105	WO-640034 FM-GPW8557A FM-GPW8557	01-4 05-5	WASHER, engine, water seal (at water pump)	ea	1

0505—FAN, BELT, AND PULLEY						
H-17	H017-0507226	507226	-----	01-4 05-2	BELT, fan (Used w/6-volt generator)-----	ea 1
	G503-7713392	7713392	FM-GPW8620A	-----	BELT, fan (Used w/12-volt generator)-----	ea 1
	G503-7036577	7036577	HI-88632 WO-A447 FM-GPW8600	01-2, 4	FAN, engine, assy-----	ea 1
H-1	H001-5025511	216915	-----	-----	SCREW, cap, hex-hd, S, cd or zn-pltd, ¼- 20NC-2 x ¾.	ea 4
H-1	H001-7025681	120380	-----	-----	WASHER, lock, med, S, cd or zn-pltd, ¼ in.	ea 4
M-5	3320-GPW8509A	-----	WO-636299 FM-GPW8509A	05-5	PULLEY, fan and water pump (Used w/6-volt generator).	ea 1
	G503-7713402	7713402	FM-GPWS8509	-----	PULLEY, fan and water pump (Used w/12-volt generator).	ea 1

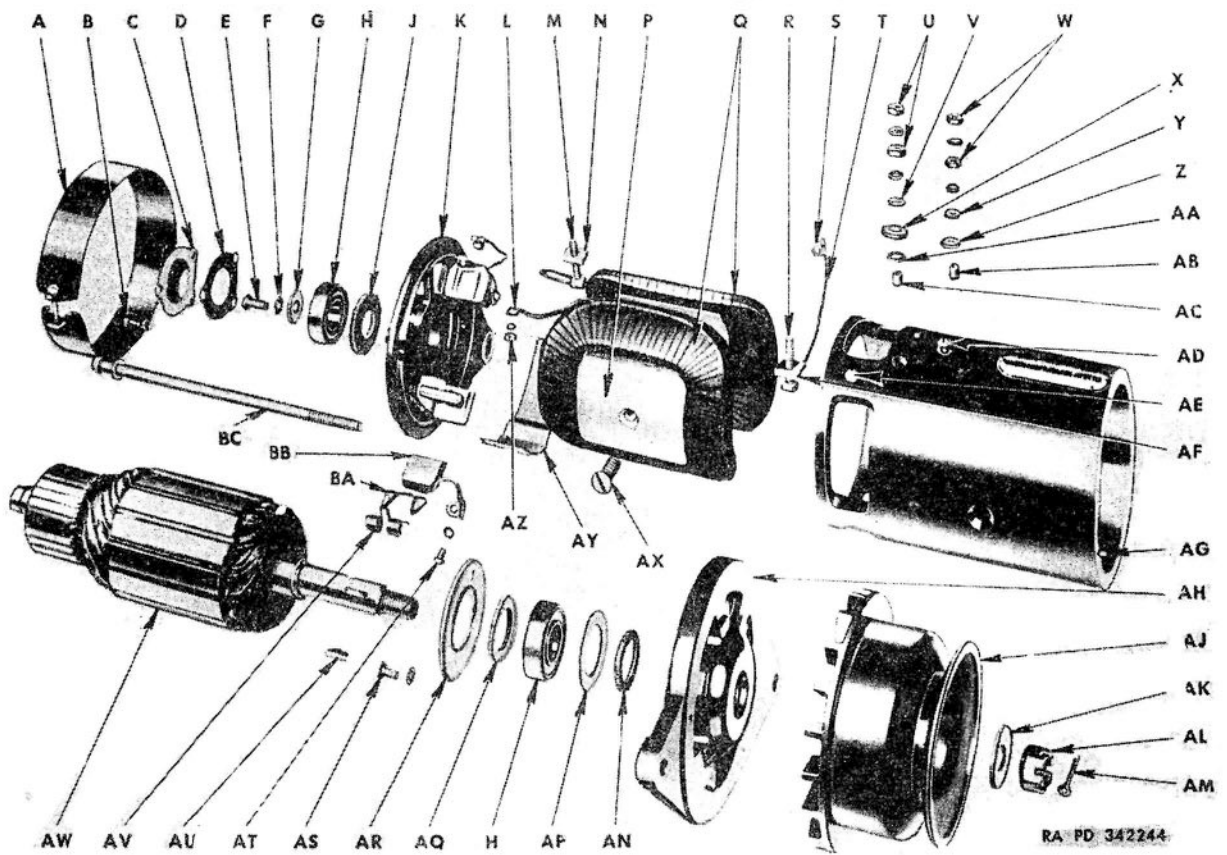


Figure 06-1. Generator, 6-volt (bearing type)—exploded view.

<i>Key Item</i>	<i>Part No.</i>	<i>Key Item</i>	<i>Part No.</i>
A—BAND.....	AL-GCE24	AC—INSULATOR.....	AC-GCT25
B—SCREW.....	132100	AD—SCREW.....	132900
C—COVER.....	AL-GBT32A	AE—SCREW.....	191646
D—GASKET.....	AL-GBT25	AF—INSULATOR.....	AL-GBW66
E—SCREW.....	AL-DA60	AG—PIN.....	141108
F—WASHER.....	120380	AH—HEAD, ASSY.....	AL-GCE1125
G—WASHER.....	AL-DA22	AJ—PULLEY, ASSY.....	AL-SP484AS
H—BEARING.....	700159	AK—WASHER.....	120399
J—WASHER.....	AL-DH7	AL—NUT.....	125366
K—HEAD, ASSY.....	AL-GCE2118	AM—PIN.....	103374
L—TERMINAL.....	AL-X959	AN—WASHER.....	AL-GT78
M—POST.....	AL-GEB58	AP—WASHER.....	AL-DA39
N—INSULATOR.....	AL-GBW67	AQ—WASHER.....	AL-GAU31
P—POLE.....	AL-GEB29	AR—RETAINER.....	AL-GG6
Q—COIL, ASSY.....	AL-GEB1005A	AS—SCREW.....	132900
R—POST.....	AL-GEB27	AT—SCREW.....	122159
S—TERMINAL.....	AL-X847	AU—KEY.....	103905
T—CABLE, ASSY.....	AL-GEB44	AV—SPRING.....	AL-GCE53
U—NUT.....	503203	AW—ARMATURE, ASSY.....	AL-GEG2120F
V—WASHER.....	120392	AX—SCREW.....	AL-GBY38A
W—NUT.....	120614	AY—INSULATOR.....	AL-GAL44
X—INSULATOR.....	AL-GC26	AZ—NUT.....	134530
Y—WASHER.....	120385	BA—ARM.....	AL-GCE54
Z—INSULATOR.....	AL-GBW34	BB—BRUSH, ASSY.....	AL-GCE1012
AA—INSULATOR.....	AL-GAA32	BC—BOLT.....	AL-DK23
AB—INSULATOR.....	AL-GCY25		

All parts are listed in Group 0601.1

Figure 06-1. Generator, 6-volt (bearing type)—Continued.

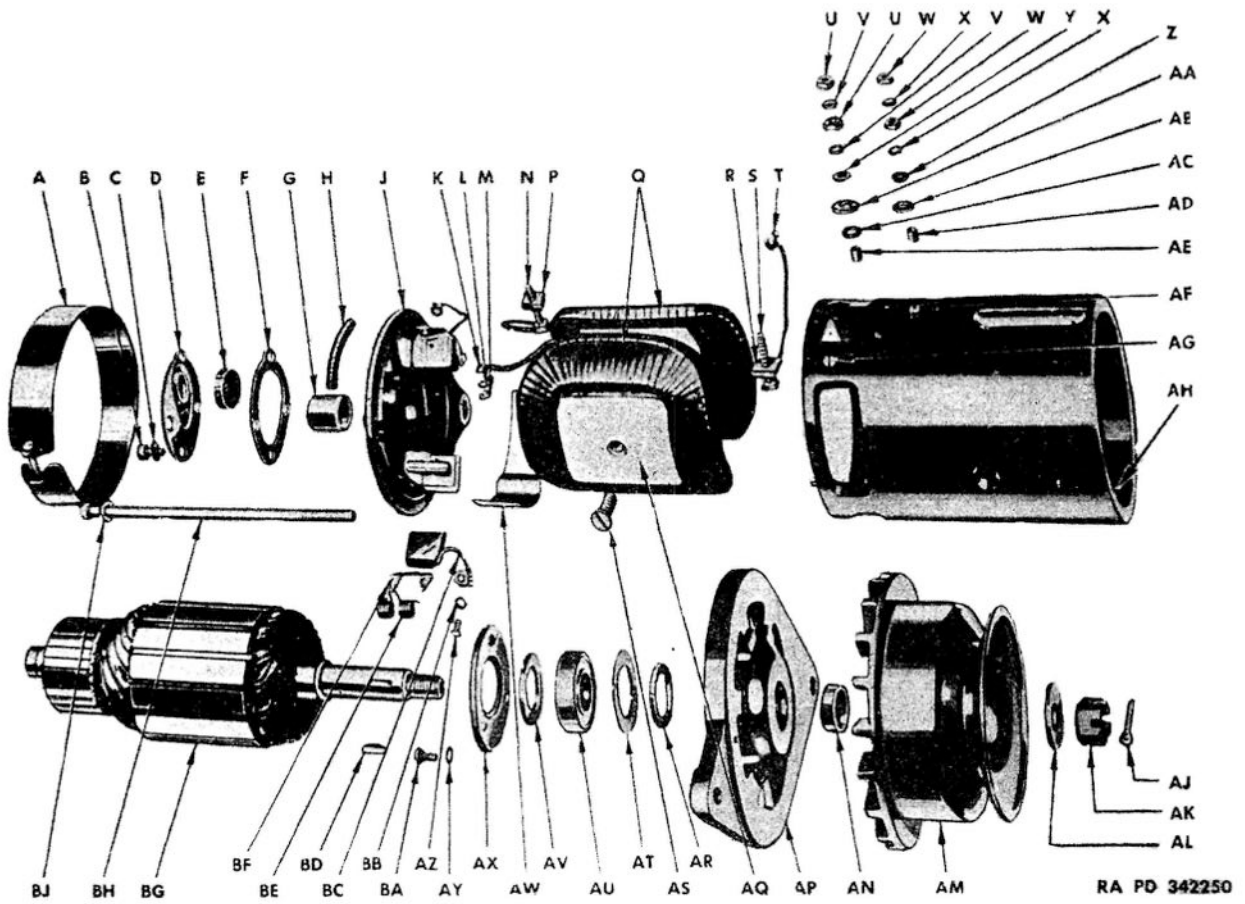


Figure 06-2. Generator, 6-volt (bushing type)—exploded view.

<i>Key Item</i>	<i>Part No.</i>	<i>Key Item</i>	<i>Part No.</i>
A—BAND	AL-GCE24	AF—SCREW	132900
B—SCREW	131958	AG—SCREW	191646
C—WASHER	121841	AH—PIN	141108
D—COVER	AL-GEG1030	AJ—PIN	103374
E—PLUG	AL-GEG33	AK—NUT	125366
F—GASKET	AL-GBW69	AL—WASHER	120396
G—BEARING	AL-GBF79	AM—PULLEY, ASSY	AL-SP484AS
H—WICK	AL-GAR73	AN—SPACER	AL-GEG31
J—HEAD, ASSY	AL-GCE1133A	AP—HEAD, ASSY	AL-GC1125
K—TERMINAL	AL-X959	AQ—POLE	AL-GEB29
L—WASHER	131044	AR—WASHER	AL-GT78
M—NUT	134530	AS—SCREW	AL-GBY38A
N—POST	AL-GEB58	AT—WASHER	AL-DA39
P—INSULATOR	AL-GBW67	AU—BEARING	700159
Q—COIL, ASSY	AL-GEB1005A	AV—WASHER	AL-GAU31
R—INSULATOR	AL-GBW66	AW—INSULATOR	AL-GAL44
S—POST	AL-GEB27	AX—RETAINER	AL-GG6
T—TERMINAL	AL-X847	AY—WASHER	120217
U—NUT	503203	AZ—SCREW	122159
V—WASHER	AL-12X193	BA—SCREW	132900
W—NUT	120614	BB—WASHER	121841
X—WASHER	120217	BC—BRUSH, ASSY	AL-GCE1012
Y—WASHER	120392	BD—KEY	103905
Z—WASHER	120385	BE—SPRING	AL-GCE53
AA—INSULATOR	AL-GC26	BF—ARM	AL-GCE54
AB—INSULATOR	AL-GBW34	BG—ARMATURE, ASSY	AL-GEG2134F
AC—INSULATOR	AL-GAA32	BH—BOLT	AL-DK23
AD—INSULATOR	AL-GCY25	BJ—WASHER	120214
AE—INSULATOR	AL-GCT25		

All parts are listed in Group 0601.1

Figure 06-2.—Generator, 6-volt (bushing type)—Continued

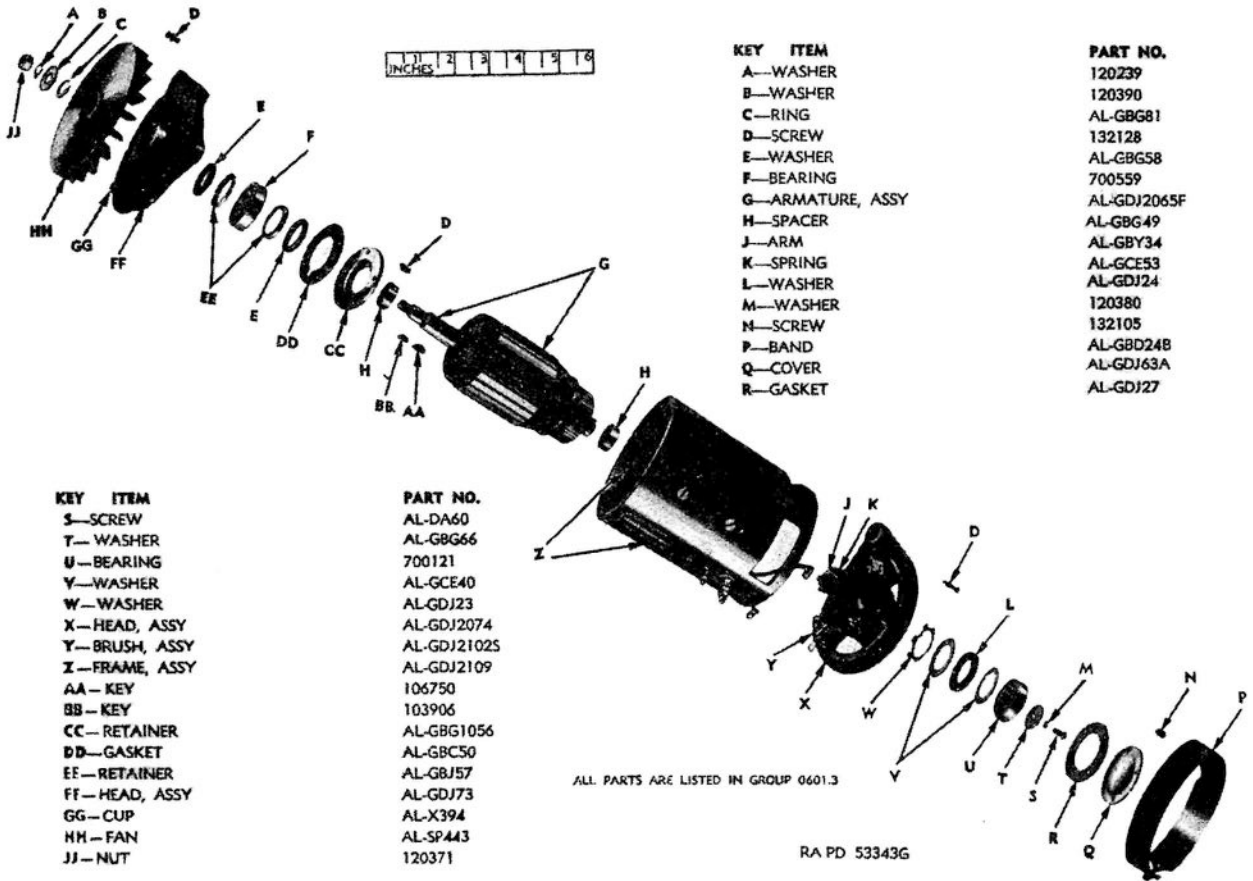


Figure 06-3. Generator, 12-volt—exploded view.

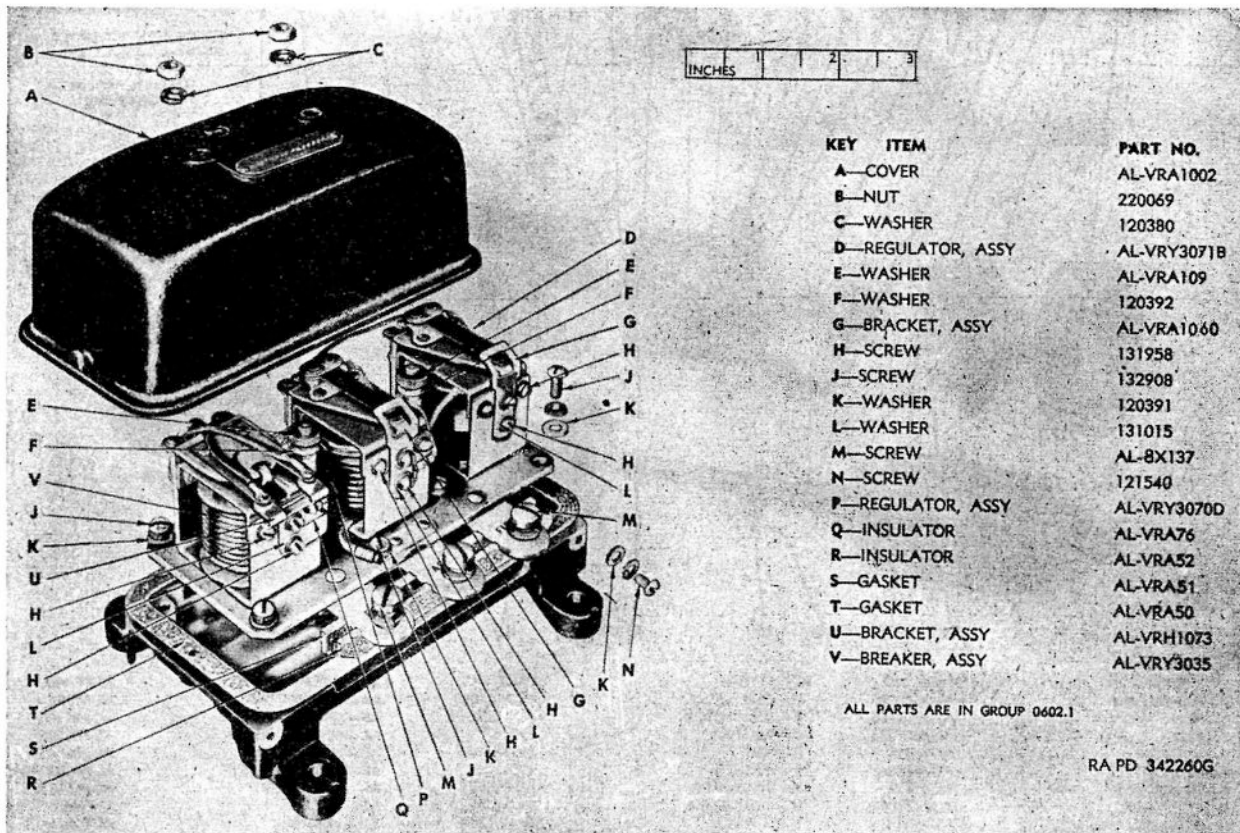


Figure 06-4. Generator regulator, 6-volt—assembly.

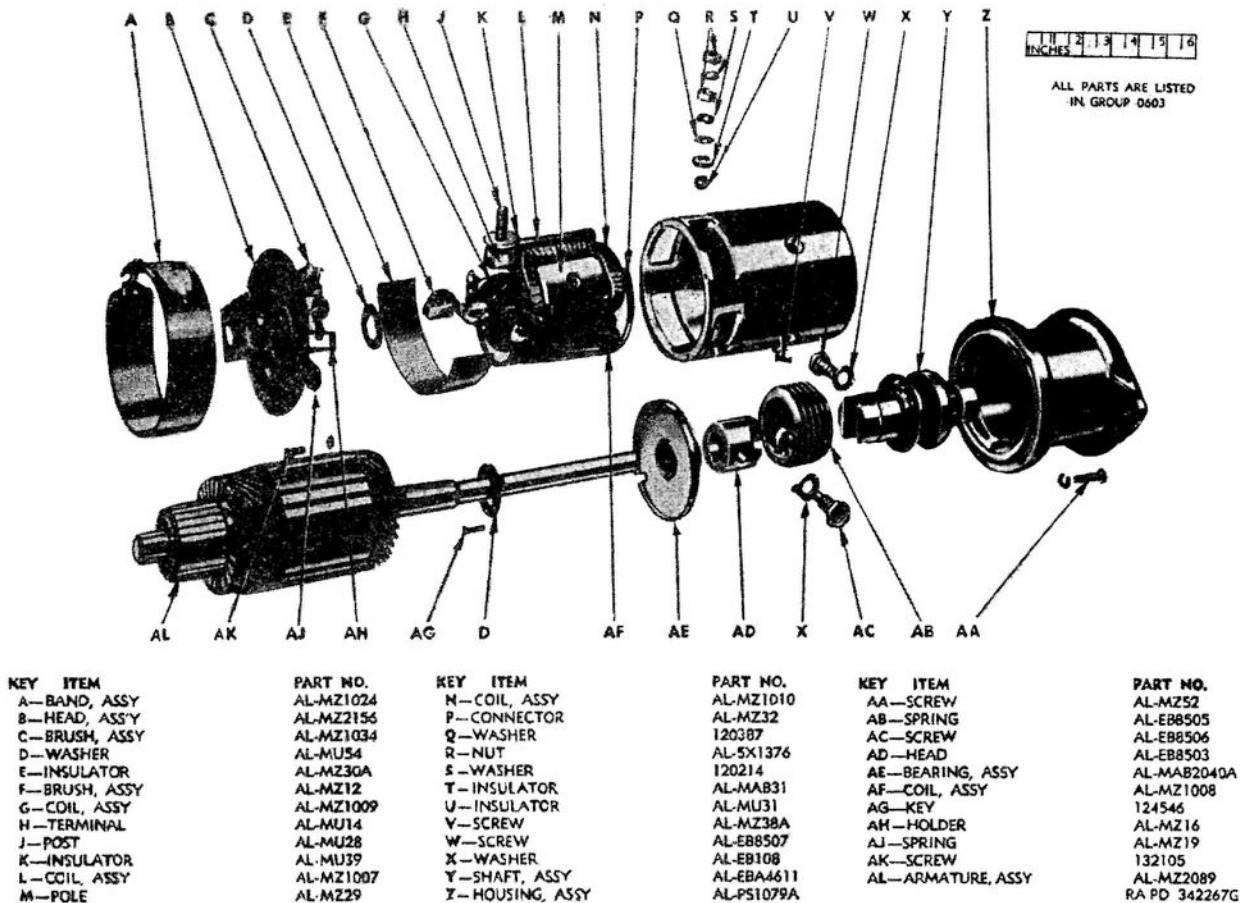
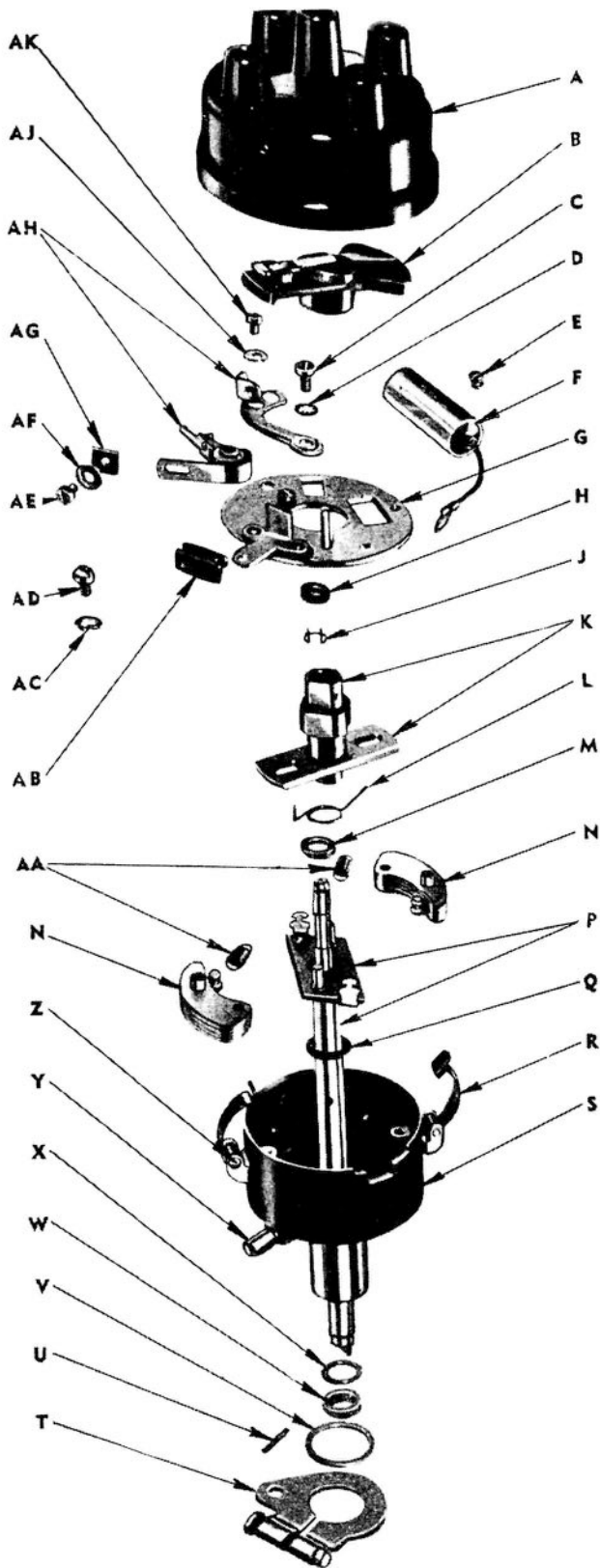
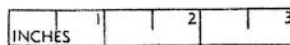


Figure 06-5. Starter, 6-volt—exploded view.



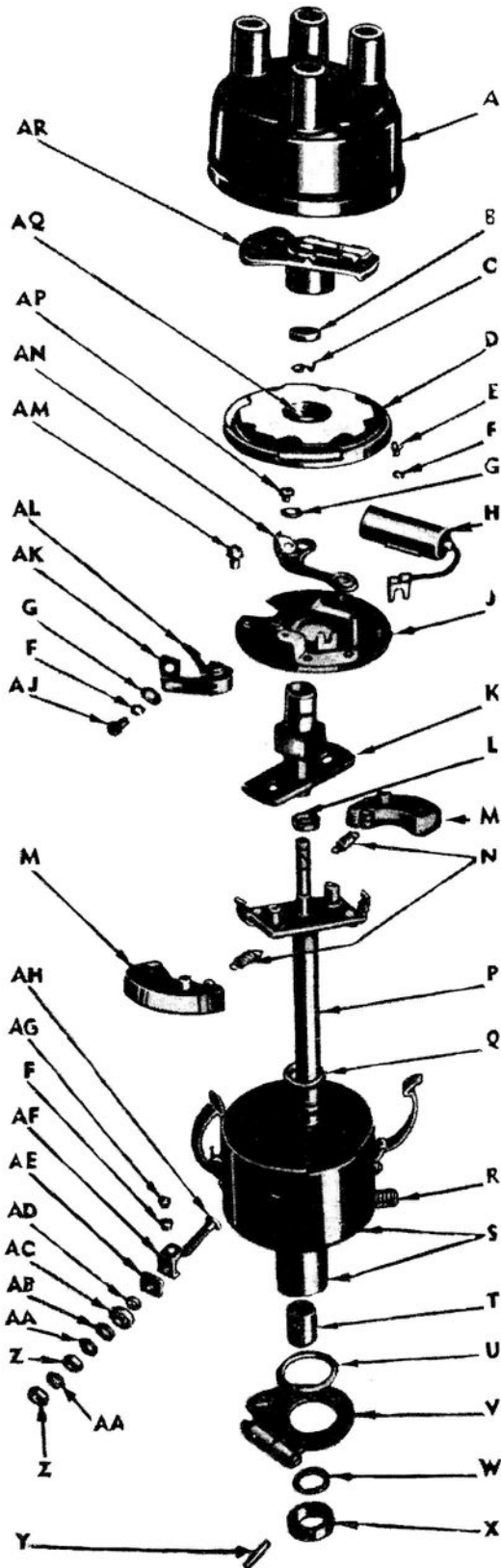
KEY	ITEM	PART NO.
A	CAP, ASSY	AL-IG1324
B	ROTOR, ASSY	AL-IG1657R
C	SCREW	132100
D	WASHER	120217
E	SCREW	132096
F	CAPACITOR	AL-IGW3139
G	PLATE	AL-IGC1148
H	WICK	AL-IGH28
J	RING	AL-IG680
K	PLATE, ASSY	AL-IGC1132LB
L	SPRING	AL-IGT69
M	SPACER	AL-IGS99
N	WEIGHT, ASSY	AL-IG2456
P	SHAFT, ASSY	AL-IGS1134L
Q	WASHER	AL-IGS104
R	SPRING	AL-IG694
S	BASE, ASSY	AL-IGS2135
T	ARM, ASSY	AL-IGS1080
U	PIN	103693
V	WASHER	AL-IG816C
W	COLLAR	AL-IGB199
X	WASHER	AL-IG90
Y	CUP	45-C-9272
Z	RIVET	135764
AA	SPRING SET	AL-IGB2025
AB	COVER	AL-IGC117
AC	WASHER	131044
AD	SCREW	131875
AE	SCREW	121839
AF	WASHER	131014
AG	CLIP	AL-IG676
AH	POINT SET	AL-IGP3028FS
AJ	WASHER	138530
AK	SCREW	131949

NOTE: ALL PARTS ARE LISTED IN GROUP 0604.1



RA PD 342269G

Figure 06-6. Distributor, open type—exploded view.



KEY ITEM

- A—CAP, ASSY
- B—WICK
- C—RING
- D—SEAL
- E—SCREW
- F—WASHER
- G—WASHER
- H—CAPACITOR
- J—PLATE, ASSY
- K—PLATE, ASSY
- L—SPACER
- M—WEIGHT, ASSY
- N—SPRING SET
- P—SHAFT, ASSY
- Q—WASHER
- R—CUP
- S—BASE, ASSY
- T—BEARING
- U—WASHER
- V—ARM, ASSY
- W—WASHER
- X—COLLAR
- Y—PIN
- Z—NUT
- AA—WASHER
- AB—WASHER
- AC—INSULATOR
- AD—INSULATOR
- AE—INSULATOR
- AF—CONNECTOR, ASSY
- AG—SCREW
- AH—POST, ASSY
- AJ—SCREW
- AK—CLIP
- AL—LEVER, ASSY
- AM—SCREW
- AN—BRACKET, ASSY
- AP—SCREW
- AQ—WASHER
- AR—ROTOR

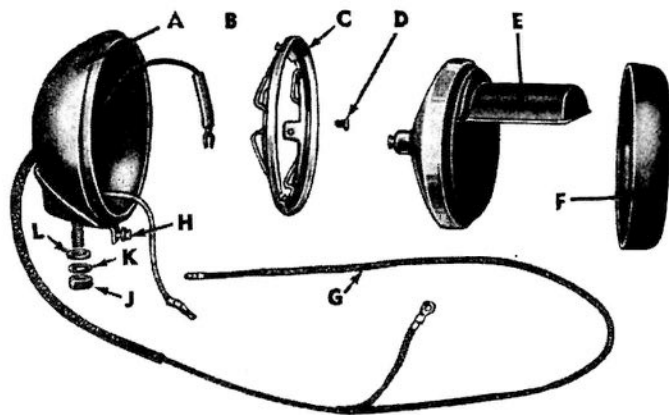
PART NO.

- AL-IG1324D
- AL-IGH28
- AL-IG680
- AL-IAD2015
- 132096
- 120217
- 131014
- AL-IGW3139
- AL-IAD2004
- AL-IAD1100LB-1
- AL-IG599
- AL-IGC2168L
- AL-IGB3505
- AL-IGS1134LA
- AL-IGS104
- 45-C-9272
- AL-IAD2001
- AL-IG579A
- AL-IG816C
- AL-IGS1080
- AL-IG90
- AL-IGB199
- 103693
- 120614
- 120217
- 120385
- AL-IGL9
- AL-IAD10
- AL-IAD8
- AL-IAD7
- 110985
- AL-ILG8
- 121839
- AL-IG676
- AL-IGP5028
- AL-X2878
- AL-IGC1149
- 131949
- AL-IAD12
- AL-IG1657R

NOTE: ALL PARTS ARE LISTED IN GROUP 0604.1.

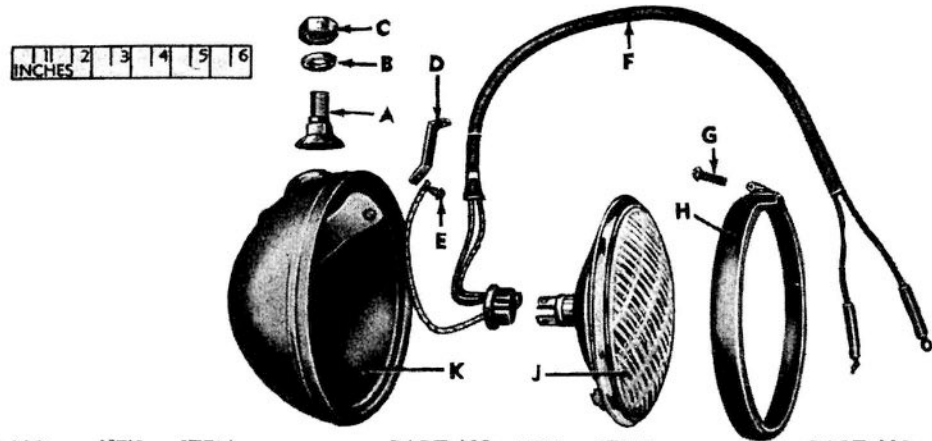
RA PD 342270G

Figure 06-7. Distributor, dustproof type—exploded view.



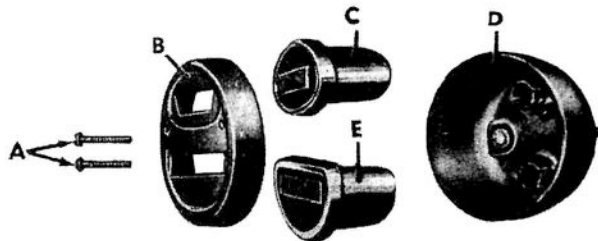
KEY ITEM	PART NO.	KEY ITEM	PART NO.
A—HOUSING, ASSY	CB11500	F—DOOR, ASSY	504426
B—CABLE, ASSY	CB11200	G—CABLE, ASSY	WO-A11770
C—RING AND SPRING	504427	H—SCREW	131963
D—SCREW	CB-7783	J—NUT	123221
E—LAMP UNIT	504433	K—WASHER	120382
		L—WASHER	WO-A6313

BLACKOUT HEAD LIGHT ASSEMBLY



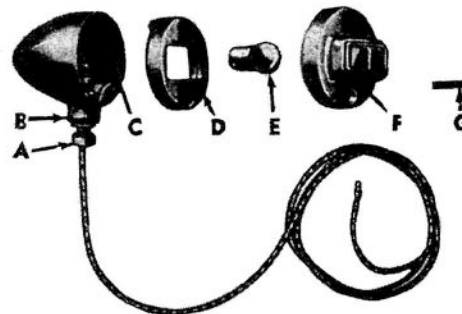
KEY ITEM	PART NO.	KEY ITEM	PART NO.
A—BOLT	504426	F—CABLE, ASSY	WO-A1362
B—NUT	WO-A11770	G—SCREW	427249
C—WASHER	131963	H—DOOR	CB-8523
D—RETAINER	123221	J—LAMP UNIT	193152
E—SCREW	120382	K—HOUSING, ASSY	CB-10436

LEFT HEAD LIGHT ASSEMBLY



KEY ITEM	PART NO.
A—SCREW	132780
B—DOOR	504432
C—LAMP-UNIT	504417
D—HOUSING, ASSY	CB-9212
E—LAMP-UNIT	504420

TAIL AND STOP LIGHT ASSEMBLY



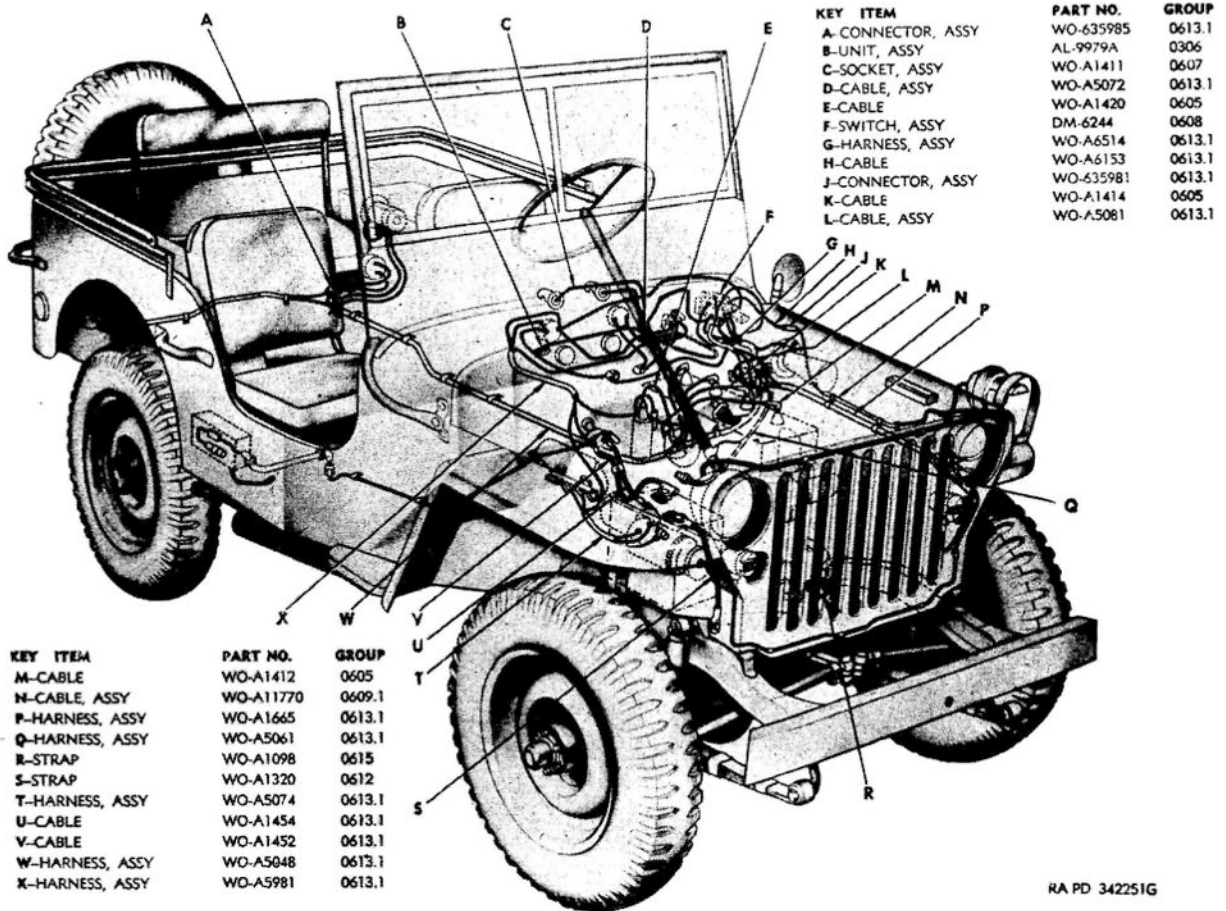
KEY ITEM	PART NO.
A—NUT	120368
B—WASHER	120214
C—HOUSING, ASSY	CB-10462
D—GASKET	CB-9281
E—LAMP	142303
F—DOOR, ASSY	504435
G—SCREW	134235

LEFT MARKER LIGHT ASSEMBLY

ALL PARTS ARE LISTED IN GROUP 0609.1

RA PD 355059

Figure 06-8. Lights (6-volt installation).



RA PD 342251G

Figure 06-9. Wiring installation.

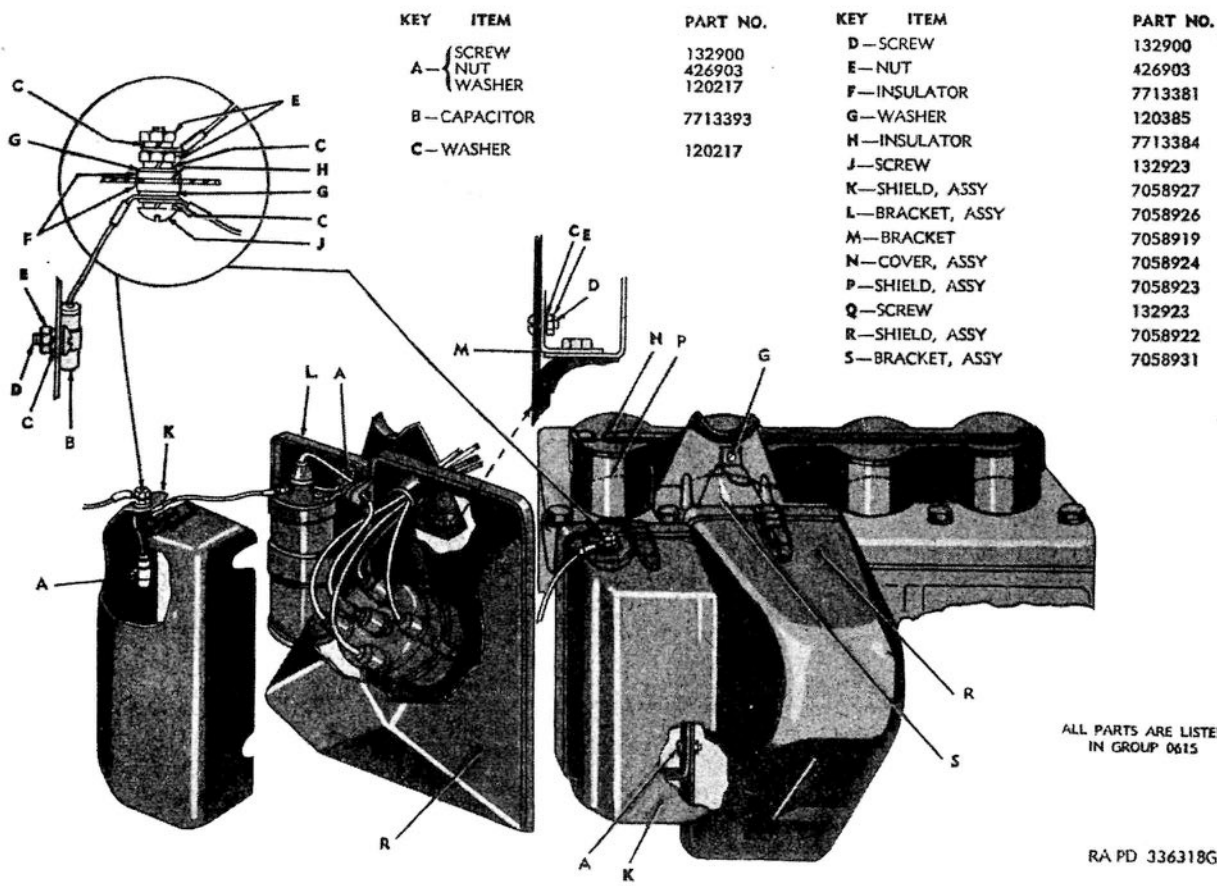


Figure 06-10. Radio suppression shielding.

(1) NOTE SYMBOL	(2) STOCK NO.	(3) ORDNANCE PART NO.	(4) MFR'S PART NO.	(5) FIGURE NO.	(6) NOMENCLATURE	(7) UNIT OF MEAS- URE	(8) QUAN- TITY PER UNIT ASSEM- BLY
GROUP 06—ELECTRICAL SYSTEM							
0601.1—GENERATOR (6-VOLT)							
M-5	G121-0110500	-----	AL-GEG2120F WO-A1637 FM-GPW10005	06-1	ARMATURE, assy (for GENERATORS AL-GEG5002D, and AL-GEG5001A).	ea	1
M-5	2980-GEG2134F	-----	AL-GEG2134F WO-A10295 FM-GPW10005B	06-2	ARMATURE, assy (for GENERATOR A1-GEG5101D only).	ea	1
M-5	-----	-----	AL-GCE54 WO-A1629 FM-GPW10105	06-1, 2	ARM, brush-----	ea	2
G-9	G121-0115950	-----	AL-GCE24 WO-A1649 FM-GPW10142	06-1, 2	BAND, cover, commutator end head-----	ea	1
H-1	H001-4139681	120611	-----	-----	NUT, mach screw, sq, S, cd or zn-pltd, No. 10-32NF-2.	ea	1
H-1	H101-0132926	132926	-----	-----	SCREW, mach, rd-hd, S, cd or zn-pltd, No. 10-32NF-2 x 1¼.	ea	1
H-12	H012-1323017	700159	-----	06-1, 2	BEARING, ball, No. 17BC02PP (drive end) (GENERATOR AL-GEG5101D only).	ea	2
M-5	2980-GBF79	-----	AL-GBF79 WO-A1793 FM-GPW10128	06-2	BEARING, bushing type, ab bz, 0.626 ID x 0.754 OD x 0.968 long (armature commutator end) (for GENERATOR AL-GEG5101D only).	ea	1
G-9	3320-GPW10176	-----	WO-A1468 FM-GPW10176	-----	BOLT, pivot, brace (hex-hd, S, ⅜-24NF-2 x ⅝)---	ea	1
H-1	H001-4027541	225831	-----	-----	NUT, hex, reg, s-fin, S, cd or zn-pltd, ⅜-24NF-2.	ea	1
H-1	H001-7025741	120382	-----	-----	WASHER, lock, med, S, cd or zn-pltd, ⅝ in--	ea	1
G-9	G116-1781899	-----	AL-DK23 WO-A1590 FM-GPW10120	06-1, 2	BOLT, through-----	ea	2
H-1	H001-7025711	120214	-----	06-2	WASHER, lock, med, S, cd or zn-pltd, ⅝ in--	ea	2
G-9	3320-GPW10143	-----	WO-A1399 FM-GPW10143	-----	BRACE, short-----	ea	1
H-1	H001-4026521	220070	-----	-----	NUT, hex, reg, s-fin, S, cd or zn-pltd, ⅝-18NC-2.	ea	1
H-1	H101-0215369	215369	-----	-----	SCREW, cap, hex-hd, S, cd or zn-pltd, ⅝-18NC-2 x 1¼.	ea	1

H-1	H001-7124731	178537	-----	-----	WASHER, lock, int-ext-teeth, S, cd or zn-pltd, $\frac{5}{16}$ in.	ea	1
G-9	3320-GPW10153A	-----	WO-A1491	-----	BRACE, w/HANDLE, assy-----	ea	1
M-5	G116-0400320	-----	FM-GPW10153A AL-GCE1012	06-1, 2	BRUSH, assy-----	ea	2
H-1	H001-5145711	122159	WO-A1630 FM-GPW10069	06-1, 2	SCREW, mach, rd-hd, S, cd- or zn-pltd, No. 8-32NC-2 x $\frac{1}{4}$.	ea	2
H-1	H001-7025591	121841	-----	06-2	WASHER, lock, med, S, cd- or zn-pltd, No. 8.	ea	2
G-9	3320-GPW10177	-----	WO-A1470	-----	BUSHING, brace-----	ea	1
G-9	9680-A17337	-----	FM-GPW10177 WO-A17337	-----	CABLE, assy (armature capacitor)-----	ea	1
M-5	G121-0273850	-----	FM-GPW14471-D AL-GEB44	06-1	CABLE, armature, terminal, assy-----	ea	1
G-9	G502-6167566	B167566	WO-A1601	-----	CABLE, field coil control, assy-----	ea	1
H-1	H001-5147511	122159	FM-GPW10100 AL-GBG-27	-----	SCREW, mach, rd-hd, S, cd or zn-pltd, No. 8-32NC-2 x $\frac{1}{4}$.	ea	1
H-1	H001-7021651	121841	-----	-----	WASHER, lock, med, S, cd or zn-pltd, No. 8.	ea	1
G-9	-----	-----	AL-GEB1007A	-----	COIL, field, left, assy-----	ea	1
M-5	G121-0139650	-----	WO-A1606	06-1, 2	COIL, field, left and right, assy-----	ea	1
G-9	G121-0139665	-----	FM-GPW10192 AL-GEB1005A	-----	COIL, field, right, assy-----	ea	1
G-9	G121-0131432	A346845	WO-A1604 FM-GPW10175	06-1	COVER, commutator end bearing (for GENERATOR AL-GEG5002D only).	ea	1
H-1	H101-0132100	132100	AL-GEB100B	06-1	SCREW, mach, fil-hd, S, cd or zn-pltd, No. 10-32NF-2 x $\frac{5}{16}$.	ea	3
H-1	H001-7025621	120217	WO-A1607	06-2	WASHER, lock, med, S, cd or zn-pltd, No. 10.	ea	3
G-9	G502-7337026	7337026	FM-GPW10191	06-2	COVER, commutator end head, w/PLUG, assy (for GENERATOR AL-GEG5101D only).	ea	1
H-1	H001-5125821	131958	AL-GBT32A	06-2	SCREW, mach, fil-hd, S, cd or zn-pltd, No. 8-32NC-2 x $\frac{5}{16}$.	ea	4
H-1	H001-7025591	121841	WO-A1625	06-2	WASHER, lock, med, S, cd or zn-pltd, No. 8.	ea	4
M-5	-----	-----	FM-GPW10118	06-2	COVER, commutator end plate oil wick (for GENERATOR AL-GEG5101D only).	ea	1
			AL-GAR98A				
			WO-A1786				
			FM-GPW10087				

(1) NOTE SYMBOL	(2) STOCK NO.	(3) ORDNANCE PART NO	(4) MFR'S PART NO.	(5) FIGURE NO.	(6) NOMENCLATURE	(7) UNIT OF MEAS- URE	(8) QUAN- TITY PER UNIT ASSEM- BLY
					GROUP 06—ELECTRICAL SYSTEM—Continued		
					0601.1—GENERATOR (6-VOLT)—Continued		
K-3	45-C-9272	113702 45-C-9272			CUP, oil, S, hinge lid type, stght, ¼ in. drive (for GENERATORS AL-GEG5101D and AL-GEG5001A).	ea	1
G-9	G121-0193758	A346846	AL-GBT25 WO-A1625 FM-GPW10119	06-1	GASKET, commutator end bearing cover.....	ea	1
M-5	G085-1100877	-----	AL-GBW69 WO-A1787 FM-GPW10122	06-2	GASKET, commutator end head bearing cover (for GENERATOR AL-GEG5101D only).	ea	1
M-5	G085-1100878	-----	AL-GBW73 WO-A1789 FM-GPW10086		GASKET (commutator end head bearing oil retaining washer) (for GENERATOR AL-GEG5101D only).	ea	1
M-5	G503-0196299	-----	AL-GEG5001A WO-A1246 FM-GPW10000		GENERATOR, assy (optional with GENERATORS AL-GEG5101D and AL-GEG5002D).	ea	1
G-9	G503-0196299	-----	AL-GEG5002D WO-A1246 WO-A5992 FM-GPW10000A		GENERATOR, assy (optional with GENERATORS AL-GEG5001A and AL-GEG5101D).	ea	1
G-9	G503-7734389	7734389	AL-GEG5101D WO-A10048 FM-GPW10000A3	01-2 05-2	GENERATOR, assy (bushing type bearing, commutator end) (optional with GENERATORS AL-GEG5001A and AL-GEG4002D).	ea	1
M-5	G085-1305451	-----	AL-GBW72 WO-A1788 FM-GPW10082		GUARD, oil, commutator end bearing (washer type) (for GENERATOR AL-GEG5101D only).	ea	1
G-9	3320-GPW10162	-----	WO-A1400 FM-GPW10162		GUIDE, adjusting, brace.....	ea	1
H-1	H001-4027541	225831			NUT, hex, reg, s-fin, S, cd or zn-pltd, ¾-24NF-2.	ea	1
H-1	H101-0215544	215544			SCREW, cap, hex-hd, S, cd or zn-pltd, ¾-24NF-2 x 1½.	ea	1
H-1	H001-7025741	120382			WASHER, lock, med, S, cd or zn-pltd, ¾ in.	ea	1
H-1	H001-7045591	120388			WASHER, plain, US std, S, cd or zn-pltd, ¾ in.	ea	1

M-5	G121-0340310	A278701	AL-GCE2119 AL-GCE2118A WO-A1627 WO-A6298 FM-GPW10050	06-1	HEAD, commutator end, assy (for GENERATOR AL-GEG5002D and AL-GEG5001A).	ea	1
M-5	3320-GPW10129	-----	AL-GCE1133A WO-A10291 FM-GPW10129B	06-2	HEAD, cummutator end, assy (for GENERATOR AL-GEG5101D only).	ea	1
	2980-GCE125	-----	AL-GCE125	-----	HEAD, drive end (for GENERATOR AL-GEG-5001A only).	ea	1
G-9	G121-0211480	-----	AL-GCE125A WO-A6301 FM-GPW10139	-----	HEAD, drive end (for GENERATORS AL-GEG-5101D and AL-GEG5002D).	ea	1
M-5	G121-0211490	-----	AL-GCE1125 AL-GCE1125A WO-A6300 WO-A1643 FM-GPW10138	06-1, 2	HEAD, drive end, assy (for GENERATORS AL-GEG5101D and AL-GEG5002D).	ea	1
M-5	G121-0232740	A308318	AL-GBW66 WO-A1594 FM-GPW10202C	06-1, 2	INSULATOR, armature terminal post, inner-----	ea	1
G-9	G503-7010675	7010675	AL-MAK49 WO-A15485	-----	INSULATOR, armature terminal post, outer (for GENERATOR AL-GEG5101D only).	ea	1
M-5	G121-0232730	-----	AL-GAA32 WO-A1591 FM-GPW1020A	06-1, 2	INSULATOR, armature terminal post, top ($1\frac{1}{8}$ x $\frac{3}{4}$ x 0.062).	ea	1
M-5	G121-0127843	-----	AL-GCT25 WO-A1598 FM-GPW10104	06-1. 2	INSULATOR, bushing type, armature terminal (0.250 x 0.312 x $\frac{5}{16}$).	ea	1
M-5	G121-0127846	-----	AL-GCY25 WO-A1599 FM-GPW10055 FM-GPW1026A	06-1, 2	INSULATOR, bushing type, field terminal stud (0.250 x 0.305 x $\frac{5}{16}$).	ea	1
M-5	G085-2266530	-----	AL-GAL44 WO-1592 FM-O1A10193	06-1, 2	INSULATOR, insulating paper, $1\frac{1}{8}$ in x $5\frac{1}{16}$ in. over-all, $\frac{1}{4}$ thk (field coil connection).	ea	1
M-5	G121-0232750	A308322	AL-GBW67 WO-A1595 FM-GPW10208B	06-1, 2	INSULATOR, square, field terminal post, inner---	ea	1
G-9	3320-GPW10178A	-----	WO-A1395 FM-GPW10178A	-----	INSULATOR, support (rubber, $\frac{1}{2}$ ID, $1\frac{1}{16}$ OD)---	ea	2
G-9	3320-GPW-3554558	-----	WO-A1397 FM-355455S7	-----	BOLT, hex-hd, S, cd-pltd, $\frac{5}{16}$ -24NF-2 x $3\frac{29}{32}$.	ea	2
H-1	H001-4027521	221157	-----	-----	NUT, hex, reg, s-fin, S, cd or zn-pltd, $\frac{5}{16}$ -24NF-2.	ea	2
H-1	H001-7025711	120214	-----	-----	WASHER, lock, med, S, cd or zn-pltd, $\frac{5}{16}$ in.	ea	2

(1) NOTE SYMBOL	(2) STOCK NO.	(3) ORDNANCE PART NO.	(4) MFR'S PART NO.	(5) FIGURE NO.	(6) NOMENCLATURE	(7) UNIT OF MEAS- URE	(8) QUAN- TITY PER UNIT ASSEM- BLY
GROUP 06—ELECTRICAL SYSTEM—Continued							
0601.1—GENERATOR (6-VOLT)—Continued							
G-9	3320-35637187	-----	WO-A1401 FM-35637187	-----	INSULATOR—Continued WASHER, plain, S, cd-pltd, $\frac{2}{64}$ ID-----	ea	2
G-9	-----	-----	WO-A1396 FM-356436S	-----	WASHER, plain, S, $\frac{2}{64}$ ID-----	ea	2
M-5	G121-0442956	-----	AL-GC26 WO-A1597 FM-GPW10208A	06-1, 2	INSULATOR, washer type, field terminal post, outer.	ea	1
M-5	-----	-----	AL-GBW34 WO-A1593 FM-GPW10202A	06-1, 2	INSULATOR, washer type, field terminal stud, outer.	ea	1
H-1	H101-0141108	141108	-----	06-1, 2	PIN, dowel, S, $\frac{1}{8}$ x $\frac{1}{16}$ (commutator end head)-----	ea	2
M-5	-----	-----	AL-GEG33 WO-A10293 FM-GPW10112	06-2	PLUG, commutator end head bearing cover (felt) (for GENERATOR AL-GEG5101D only).	ea	1
G-9	-----	-----	AL-GEB29 WO-A1600 FM-GPW10041	06-1, 2	POLE, shoe, field coil-----	ea	2
M-5	-----	-----	AL-GBY38A WO-A1596 FM-355486S7	06-1, 2	SCREW, special, ck-hd, S, cd-pltd, $\frac{3}{8}$ -16NC- 2 x 0.90.	ea	2
G-9	G121-0342310	-----	AL-GEB27 WO-A1602 FM-GPW10211'A	06-1, 2	POST, armature term. (No. 14-24NC)-----	ea	1
H-1	H101-0503203	503203	-----	06-1, 2	NUT, mach screw, hex, S, cd or zn-pltd, No. 14-24NS-2.	ea	2
G-9	-----	-----	AL-12X193 WO-A1612 FM-356263S7	06-2	WASHER, lock, reg, S, cd-pltd, $\frac{1}{4}$ -----	ea	1
H-1	H001-7043681	120392	-----	06-1, 2	WASHER, plain, SAE std, S, cd or zn-pltd, $\frac{1}{4}$ in.	ea	1
H-1	H001-7045531	120386	-----	-----	WASHER, plain, US std, S, cd or zn-pltd, $\frac{1}{4}$ in.	ea	1
G-9	G121-0342320	-----	AL-GEB58 WO-A1605 FM-GPW10211B	06-1, 2	POST, field terminal (No. 10-32NF)-----	ea	1

H-1	H001-4135681	120614	-----	06-1, 2	NUT, mach screw, hex, S, cd or zn-pltd, No. 10-32NF-2.	ea	2
H-1	H001-7025621	120217	-----	06-2	WASHER, lock, med, S, cd or zn-pltd, No. 10.	ea	2
H-1	H001-7045491	120385	-----	06-1, 2	WASHER, plain, US std, S, cd or zn-pltd, No. 10.	ea	1
G-9	G716-7734834	7734834	AL-SP484A	-----	PULLEY, drive, w/SPACER, assy (Superseded by AL-484AS).	ea	1
M-5	2980-SP484AS	-----	AL-SP484AS WO-A1639 FM-GPW10061	06-1, 2	PULLEY, drive, w/SPACER, assy	ea	1
H-1	H001-0518001	103905	-----	06-1, 2	KEY, Woodruff, S, $\frac{1}{8}$ x $\frac{5}{8}$ (No. 405 or 5)	ea	1
H-1	H001-4220661	125366	-----	06-1, 2	NUT, slotted, light, thick, s-fin, cd or zn-pltd, $\frac{1}{2}$ -20NF-2.	ea	1
H-1	H001-0811040	103374	-----	06-1, 2	PIN, cotter, split, S, $\frac{3}{32}$ x 1	ea	1
G-9	2980-SP484	-----	AL-SP484 WO-A9492 FM-GPW10130	-----	PULLEY, drive, w/o SPACER	ea	1
G-9	-----	-----	AL-GT76 WO-109173 FM-GPW10214	-----	RETAINER, commutator end head, felt washer (for GENERATOR AL-GEG5002D only).	ea	1
G-9	G121-0367615	-----	AL-GG6 WO-106313 FM-GPW10098	06-1, 2	RETAINER, drive end bearing	ea	1
H-1	H001-5148831	132900	-----	-----	SCREW, mach, rd-hd, S, cd or zn-pltd, No. 10-32NF-2 x $\frac{3}{8}$.	ea	3
H-1	H001-7025621	120217	-----	-----	WASHER, lock, med, S, cd or zn-pltd, No. 10	ea	3
G-9	-----	-----	AL-GK162 WO-108515 FM-GPW10121	-----	RETAINER, drive end head, felt washer	ea	1
H-1	H101-0191646	191646	-----	06-1, 2	SCREW, mach, fl-hd, S, cd or zn-pltd, No. 6-32NC-2 x $\frac{1}{16}$ (ground).	ea	2
H-1	H001-4135581	134530	-----	06-1, 2	NUT, mach screw, hex, S, cd or zn-pltd, No. 6-32NC-2.	ea	1
H-1	H001-7025561	131044	-----	06-2	WASHER, lock, med, S, cd or zn-pltd, No. 6	ea	2
H-1	H001-5148831	132900	-----	06-1, 2	SCREW, mach, rd-hd, S, cd or zn-pltd, No. 10-32NF-2 x $\frac{3}{8}$ (ground).	ea	1
G-9	2980-GEG-31	-----	AL-GEG31 WO-A8842 FM-GPW10035	06-2	SPACER, shaft pulley (for GENERATORS AL-GEG5002D and AL-GEG5101D).	ea	1
G-9	3320-GPW10155	-----	WO-A1469 FM-GPW10155	-----	SPRING, brace	ea	1
M-5	G507-6167579	B167579	AL-GCE53 WO-A1628 FM-GPW10057	06-1, 2	SPRING, brush	ea	2

(1) NOTE SYMBOL	(2) STOCK NO.	(3) ORDNANCE PART NO.	(4) MFR'S PART NO.	(5) FIGURE NO.	(6) NOMENCLATURE	(7) UNIT OF MEAS- URE	(8) QUAN- TITY PER UNIT ASSEM- BLY
GROUP 06—ELECTRICAL SYSTEM—Continued							
0601.1—GENERATOR (6 VOLT)—Continued							
G-9	3320-GPW10166	-----	WO-A1392 FM-GPW10166	-----	SUPPORT, assy	ea	1
H-1	H001-5026731	213600	-----	-----	SCREW, cap, hex-hd, S, cd or zn-pltd, $\frac{3}{8}$ - 16NC-2 x $\frac{3}{8}$.	ea	1
H-1	H001-7025741	120382	-----	-----	WASHER, lock, med, S, cd or zn-pltd, $\frac{3}{8}$ in.	ea	1
G-9	-----	-----	AL-X847	06-1, 2	TERMINAL, armature cable	ea	1
G-9	G503-7703783	7703783	WO-A1603 FM-GPW10216 AL-X959	06-1, 2	TERMINAL, field cable	ea	1
G-9	G121-0442947	-----	WO-A1608 FM-GPW10218 AL-GT78	06-1, 2	WASHER, drive end bearing, outer (felt)	ea	1
M-5	G121-0442945	-----	WO-A1646 FM-GPW-10122 AL-DH7	06-1	WASHER, felt, $\frac{3}{4}$ x $1\frac{1}{16}$ x $\frac{1}{8}$ (commutator end head bearing, inner) (for GENERATORS AL- GEG5002D and AL-GEG5001A).	ea	1
M-5	G085-2341480	-----	FM-GPW10116 AL-GAU31	06-1, 2	WASHER, felt, $1\frac{1}{16}$ x $1\frac{1}{16}$ x $\frac{1}{8}$ (drive end head bearing, inner).	ea	1
H-1	H001-7043681	120392	WO-A1644 FM-78-10212A	-----	WASHER, plain, SAE std, S, cd or zn-pltd, $\frac{1}{4}$ in. (armature terminal).	-----	-----
M-5	G121-0205450	-----	AL-DA-39	06-1, 2	WASHER, plain, S, $\frac{3}{16}$ ID, 1.570 OD, 0.020 thk (generator drive end head bearing oil retaining felt washer).	ea	1
M-5	G121-0442944	A308239	AL-DA22 WO-A1621	06-1	WASHER, retaining, commutator end bearing (plain, S, cd-pltd, $\frac{1}{4}$ ID, $\frac{3}{16}$ OD) (for GENER- ATOR AL-GEG5002D only).	ea	1
M-5	G509-5308240	A308240	FM-356208S7 AL-DA60	06-1	SCREW, cap, hex-hd, S, cd-pltd, $\frac{1}{4}$ -28NF-2 x $\frac{3}{8}$.	ea	1
H-1	H001-7025681	120380	WO-A1623	06-1	-----	-----	-----
M-5	G505-7701926	7701926	FM-355260S7 AL-GAR73	06-2	WASHER, lock, med, S, cd or zn-pltd, $\frac{1}{4}$ in.	ea	1
			WO-A1785 FM-GPW10147		WICK, oil, commutator end	ea	1

0601.3—GENERATOR (12-VOLT)

(For VEHICLES modified by MWO ORD
G-503-W7)

G-9			AL-GBY34	06-3	ARM, brush (See HOLDER)	ea	4
G-9	G502-0110521	7016452	AL-GDJ2065F	06-3	ARMATURE, assy	ea	1
G-9	G502-7016453	7016453	AL-GBD24B	06-3	BAND, cover, commutator end head	ea	1
H-1	H001-4139681	120611			NUT, mach screw, sq, S, cd or zn-pltd, No. 10-32NF-2.	ea	1
H-1	H101-0132926	132926			SCREW, mach, rd-hd, S, cd or zn-pltd, No. 10-32NF-2 x 1¼.	ea	1
H-12	H012-1313025	700121		06-3	BEARING, ball, No. 25BC02P (armature shaft commutator end).	ea	1
H-12	H012-1301025	700559		06-3	BEARING, ball, No. 25BL03 (armature shaft drive end).	ea	1
		7721596			BRACE	ea	1
		7713385			BOLT, hex-hd, S, ½-18NC-2 x 0.80	ea	1
H-1	H001-4167541	120376			NUT, hex, light, s-fin, S, cd or zn-pltd, ½-18NC-2.	ea	1
H-1	H101-0115729	115729			NUT, hex, phos-ctd, s-fin, S, ½-24NF-2	ea	1
H-1	H001-5420605	120248			SCREW, cap, hex-hd, S, phos-ctd, ⅜-16NC-3 x 1¼.	ea	1
H-1	H001-7025711	120214			WASHER, lock, med, S, cd or zn-pltd, ⅙ in.	ea	1
H-1	H001-7025745	115093			WASHER, lock, med, S, phos-ctd, ⅜ in.	ea	1
H-1	H001-7045595	118666			WASHER, plain, US std, S, phos-ctd, ⅜ in.	ea	1
H-1	H001-7045561	120387			WASHER, plain, US std, S, cd or zn-pltd, ⅙ in.	ea	1
		7713395			BRACKET, brace	ea	1
		7713399			NUT, shoulder, hex, ⅙-20NF-3, 0.93 across flats.	ea	2
G-9	G505-5175240	A175240	AL-GDJ2012S	06-3	BRUSH, assy	ea	2
G-9	G502-6167602	B167602	AL-GDJ1005		COIL, field, assy	ea	1
G-9	G502-6167605	B167605	AL-GDJ1008		COIL, field, lower, left, assy	ea	1
G-9	G502-6167606	B167606	AL-GDJ1009		COIL, field, lower, right, assy	ea	1
G-9	G502-6167603	B167603	AL-GDJ1007		COIL, field, upper, left, assy	ea	1
G-9	G502-6167607	B167607	AL-GDJ1010		COIL, field, upper, right, assy	ea	1
G-9	G507-5175283	A175283	AL-GDJ63A	06-3	COVER, commutator and head bearing	ea	1
H-1	H001-5127331	132105		06-3	SCREW, mach, fil-hd, S, cd or zn-pltd, No. 10-32NF-2 x ⅜.	ea	2
H-1	H001-7025621	120217			WASHER, lock, med, S, cd or zn-pltd, No. 10	ea	2
G-9	G502-5175377	A175377	AL-X394	06-3	CUP oil, drive end bearing	ea	1
K-3	45-C-9272	113702			CUP, oil, S, hinge lid type, stght, ¼ in. drive (commutator end bearing).	ea	1
		45-C-9272					
G-9	2980-SP443		AL-SP443	06-3	FAN, ventilating	ea	1
H-1	H001-0518015	106750		06-3	KEY, Woodruff, S, ⅝ x ⅝ (No. 505 or 6)	ea	1

(1) NOTE SYMBOL	(2) STOCK NO.	(3) ORDNANCE PART NO.	(4) MFR'S PART NO	(5) FIGURE NO.	(6) NOMENCLATURE	(7) UNIT OF MEAS- URE	(8) QUAN- TITY PER UNIT ASSEM- BLY
GROUP 06—ELECTRICAL SYSTEM—Continued							
0601.3—GENERATOR (12-VOLT)—Continued							
G-9	-----	-----	AL-GDJ2109	06-3	FRAME, w/fields COILS assy-----	ea	1
G-9	G502-5175280	A175280	AL-GDJ27	06-3	GASKET commutator end head cover-----	ea	1
G-9	G502-6167578	B167578	AL-GBC50	06-3	GASKET drive end bearing retainer-----	ea	1
G-9	G503-7713901	7713901	AL-GDJ4808	-----	GENERATOR assy (12-volt)-----	ea	1
G-9	G503-7713899	7713899	-----	-----	BOLT shoulder, hex-hd, S, $\frac{3}{8}$ -24NF-2, $\frac{3}{4}$ across flats, 2.42 overall (front).	ea	1
G-9	G503-7713900	7713900	-----	-----	BOLT, shoulder, hex-hd, S, $\frac{3}{8}$ -24NF-2, $\frac{3}{4}$ across flats, 2.55 overall (rear).	ea	1
H-1	H001-4167605	114942	-----	-----	NUT, hex, light, s-fin, S, phos-ctd, $\frac{3}{8}$ -24NF-2	ea	2
G-9	G503-7713401	7713401	-----	-----	WASHER, flat, S, 0.40 ID, 1.12 OD, 0.0897 thk.	ea	2
H-1	H001-7025745	115093	-----	-----	WASHER, lock, med, S, phos-ctd, $\frac{3}{8}$ in	ea	2
H-1	H101-0118668	118668	-----	-----	WASHER, plain, US std, S, phos-ctd, $\frac{1}{2}$ in	ea	2
G-9	G502-0340221	7016455	AL-GDJ2074	06-3	HEAD, commutator end, w/BRUSHES, assy-----	ea	1
H-1	H101-0132128	132128	-----	06-3	SCREW, mach, fil-hd, S, cd or zn-pltd, No. 10-32NF-2 x $\frac{3}{8}$.	ea	6
H-1	H001-7025621	120217	-----	-----	WASHER, lock, med, S, cd or zn-pltd, No. 10	ea	6
G-9	G502-0211410	-----	AL-GDJ1073	-----	HEAD, drive end, assy (Superseded by HEAD AL-DGJ73).	ea	1
G-9	2980-GDJ73	7016456	AL-GDJ73	06-3	HEAD, drive end, assy-----	ea	1
H-1	H101-0132128	132128	-----	06-3	SCREW, mach, fil-hd, S, cd or zn-pltd, No. 10-32NF-2 x $\frac{3}{8}$.	ea	6
H-1	H001-7025621	120217	-----	-----	WASHER, lock, med, S, cd or zn-pltd, No. 10	ea	6
G-9	G502-6167570	B167570	AL-GBY34	-----	HOLDER, brush-----	ea	4
M-5	G502-7702478	7702478	AL-GDJ66	-----	INSULATOR, armature term. post, bottom-----	ea	1
G-9	G502-5175282	A175282	AL-GCY28	-----	INSULATOR, bushing type, armature terminal	ea	1
G-9	G502-5175281	A175281	AL-GCY27	-----	INSULATOR, bushing type, field terminal	ea	1
G-9	G502-6167569	B167569	AL-GBG30	-----	INSULATOR, field connection-----	ea	1
G-9	G160-0232827	-----	AL-GDJ68	-----	INSULATOR, field terminal post-----	ea	1
G-9	G505-7702730	7702730	AL-GDJ67	-----	INSULATOR, field terminal post, bottom-----	ea	1
G-9	-----	-----	AL-MBD145	-----	INSULATOR, washer type-----	ea	1
G-9	G502-6167571	B167571	AL-MU36	-----	INSULATOR, washer type, armature terminal	ea	1
G-9	G502-6167581	B167581	AL-GBF55	-----	INSULATOR, washer type, field coil terminal	ea	1
G-9	-----	-----	AL-GDJ38	-----	INSULATOR, washer type, housing-----	ea	4
H-1	H001-4167561	120368	-----	-----	NUT, hex, light, s-fin, S, cd or zn-pltd, $\frac{3}{16}$ -24NF-2 (armature terminal).	ea	3

H-1	H001-4135681	120614			NUT, mach, screw, hex, S, cd or zn-pltd, No. 10-32NF-2 (field terminal).	ea	1
G-9	G502-0342415		AL-GDJ36		POST, terminal, armature lead.	ea	1
G-9	G502-0398792		AL-GDJ37		POST, terminal, field lead.	ea	1
	G503-7713902	7713902			PULLEY, drive.	ea	1
H-1	H001-0518017	103906		06-3	KEY, Woodruff, S, $\frac{1}{2}$ x $\frac{3}{4}$ (No. 506 or 8).	ea	1
H-1	H001-4167681	120371		06-3	NUT, hex, light, s-fin, S, cd or zn-pltd, $\frac{1}{2}$ -20NF-2.	ea	1
H-1	H001-7023811	120239		06-3	WASHER, lock, light, S, cd or zn-pltd, $\frac{1}{2}$ in.	ea	1
H-1	H001-7045651	120390		06-3	WASHER, plain, US std, S, cd or zn-pltd, $\frac{1}{2}$ in.	ea	1
G-9			AL-GBG56		RETAINER, drive end bearing (Superseded by RETAINER AL-GBG1056.)	ea	1
G-9	G502-6167610	B167610	AL-GBG1056	06-3	RETAINER, drive end bearing.	ea	1
H-1	H101-0132128	132128		06-3	SCREW, mach, fil-hd, S, cd or zn-pltd, No. 10-32 NF-2 x $\frac{3}{8}$.	ea	4
H-1	H001-7025621	120217			WASHER, lock, med, S, cd or zn-pltd, No. 10.	ea	4
G-9	G502-6167583	B167583	AL-GBJ57		RETAINER, drive end bearing felt washer.	ea	1
G-9			AL-GBG81	06-3	RING, snap, armature shaft.	ea	1
H-1	H001-5147511	122159			SCREW, mach, rd-hd, S, cd or zn-pltd, No. 8-32NC-2 x $\frac{1}{4}$ (brush ground).	ea	1
H-1	H001-5148821	121540			SCREW, mach, rd-hd, S, cd or zn-pltd, No. 10-32NF-2 x $\frac{1}{16}$ (field ground).	ea	1
G-9	G502-6167573	B167573	AL-GBG38		SCREW, pole piece.	ea	4
G-9	G067-0905370	B167577	AL-GBG49	06-3	SPACER, armature.	ea	2
		771338C			SPACER, brace.	ea	1
		7713903			SPACER, front end plate.	ea	1
M-5	G507-6167579	B167579	AL-GCE53	06-3	SPRING, brush.	ea	4
		7713391			SUPPORT, assy.	ea	1
H-4	H004-0367572	B167565	AL-GBG26		TERMINAL, cable, solder, roll, dble-ear, offset, bn Tnd, 0.032 in. thick, No. 16-14 AWG cable, 0.20 sq. hole (field coil).	ea	1
G-9	G502-6167587	B167587	AL-GBG66	06-3	WASHER, commutator end bearing retainer.	ea	1
M-5	G507-5308240	A308240	AL-DA60	06-3	SCREW, cap, hex-hd, S, cd-pltd, $\frac{1}{4}$ -28NF-2 x $\frac{3}{8}$.	ea	1
H-1	H001-7025681	120380		06-3	WASHER, lock, med, S, cd or zn-pltd, $\frac{1}{4}$ in.	ea	1
G-9	G502-6167555	B167555	AL-GDJ24	06-3	WASHER, felt, commutator and head (oil seal).	ea	1
G-9	G502-6167584	B167584	AL-GBG58	06-3	WASHER, drive end (felt).	ea	2
H-1	H001-7017651	138485			WASHER, lock, ext-teeth, reg, S, cd or zn-pltd, $\frac{1}{16}$ in. (armature terminal nut).	ea	1
H-1	H001-7045561	120387			WASHER, plain, US std, S, cd or zn-pltd, $\frac{1}{16}$ in. (armature terminal post nut).	ea	1
H-1	H001-7017591	138479			WASHER, lock, ext-teeth, reg, S, cd or zn-pltd, No. 10 (generator field terminal).	ea	1
H-1	H001-7043621	120391			WASHER, plain, SAE, std, S, cd or zn-pltd, No. 10 (field terminal post nut).	ea	1

(1) NOTE SYMBOL	(2) STOCK NO.	(3) ORDNANCE PART NO.	(4) MFR'S PART NO.	(5) FIGURE NO	(6) NOMENCLATURE	(7) UNIT OF MEAS- URE	(8) QUAN- TITY PER UNIT ASSEM- BLY
GROUP 06—ELECTRICAL SYSTEM—Continued							
0601.3—GENERATOR (12-VOLT)—Continued							
G-9	G502-6167576	B167576	AL-GCE40	06-3	WASHER, felt, plain 1.390 ID x 2.0405 OD, 0.20 thk. (commutator end).	ea	2
G-9	G502-6167562	B167562	AL-GDJ23	06-3	WASHER, spring, commutator end.....	ea	1
0602.1—GENERATOR REGULATOR (6-VOLT)							
M-5	G502-7702739	7702739	AL-VRY1043 WO-A7800 FM-GPW10540	-----	ARMATURE, circuit breaker, assy.....	ea	1
M-5	-----	-----	AL-VRY10613 WO-A7808 FM-GPW10455	-----	ARMATURE, current regulator, assy.....	ea	1
M-5	-----	-----	AL-VRY1080B WO-A7809 FM-GPW10551	-----	ARMATURE, voltage regulator, assy.....	ea	1
G-9	G507-7702613	7702613	AL-VRA1060 WO-A7807	06-4	BRACKET, adjusting, current and voltage regulator coil, assy.	ea	2
H-1	H101-0131966	131966	-----	-----	SCREW, mach, fil-hd, S, cd or zn-pltd, No. 8-32NC-2 x 7/16.	ea	4
H-1	H001-5125821	131958	-----	06-4	SCREW, mach, fil-hd, S, cd or zn-pltd, No. 8-32NC-2 x 7/16.	ea	8
H-1	H001-7025591	121841	-----	-----	WASHER, lock, med, S, cd or zn-pltd, No. 8.	ea	12
H-1	H001-7043591	131015	-----	06-4	WASHER, plain, SAE, std, S, cd or zn-pltd, No. 8.	ea	8
G-9	-----	-----	AL-VRA67 WO-A8322	-----	BRACKET, mounting, resistance.....	ea	1
M-5	G502-7703778	7703778	AL-VRH1073 WO-A7801 FM-GPW10536	06-4	BRACKET, stationary circuit breaker w/CONTACT assy.	ea	1
H-1	H101-0131966	131966	-----	-----	SCREW, mach, fil-hd, S, cd or zn-pltd, No. 8-32NC-2 x 7/16.	ea	1
H-1	H001-5125821	131958	-----	-----	SCREW, mach, fil-hd, S, cd or zn-pltd, No. 8-32NC-2 x 7/16.	ea	2
H-1	H001-7025591	121841	-----	-----	WASHER, lock, med, S, cd or zn-pltd, No. 8.	ea	6

H-1	H001-7043591	131015	-----	-----	WASHER, plain, SAE, std, S, cd or zn-pltd, No. 8.	ea	1
G-9	G502-0139775	-----	AL-VRY3035 WO-A9044	06-4	BREAKER, circuit, assy-----	ea	1
G-9	9680-A17282	-----	WO-A17282 FM-GPW14471B	-----	CABLE, filter capacitor to battery term-----	ea	2
G-9	G507-7702609	7702609	AL-VRH26 WO-A8997	-----	CABLE, voltage regulator armature bar-----	ea	1
H-1	H001-5148831	132908	-----	06-4	SCREW, mach, rd-hd, S, cd or zn-pltd, No. 10-32NF-2 x 1/2.	ea	1
G-9	-----	-----	AL-VRA46 WO-A9052	-----	CONNECTOR, bar, series coil-----	ea	1
H-1	H001-4135681	120614	-----	-----	NUT, mach screw, hex, S, cd or zn-pltd, No. 10-32NF-2.	ea	1
M-5	G154-0140096	A346792	AL-VRA1002 WO-A9042	06-4	COVER-----	ea	1
H-1	H001-4026501	220069	-----	06-4	NUT, hex, reg, s-fin, S, cd or zn-pltd, 1/4-20NC-2.	ea	2
H-1	H001-7025681	120380	-----	06-4	WASHER, lock, med, S, cd or zn-pltd, 1/4 in.	ea	2
H-1	H001-7043681	120392	-----	-----	WASHER, plain, SAE, std, S, cd or zn-pltd, 1/4 in.	ea	2
G-9	G104-1842779	A346794	AL-VRA109 WO-A9043	06-4	WASHER, ru, 1/4 ID-----	ea	2
M-5	G507-7702476	7702476	AL-VRA50 WO-A9046 FM-GPW10623	06-4	GASKET, cover (for REGULATOR AL-VRY-4203B).	ea	1
G-9	G502-7010671	701671	AL-VRH50	-----	GASKET, cover (for REGULATORS AL-VRY4203C, AL-VRY4203D, AL-VRY4203F, and AL-VRY4203G)	ea	1
G-9	G507-7702479	7702479	AL-VRA51 WO-A9047 FM-GPW10564	06-4	GASKET, terminal (for REGULATORS AL-VRY4203A, AL-VRY4203B).	ea	1
M-5	-----	-----	AL-VRA76 WO-A7799 FM-GPW10636	06-4	INSULATOR, circuit breaker stationary bracket.	ea	1
G-9	G507-7702475	7702475	AL-VRA52 WO-A9048	06-4	INSULATOR, regulator terminal-----	ea	1
M-5	G507-7702474	7702474	AL-GAA35 WO-A7795 FM-GPW10544	-----	INSULATOR, washer type, 0.187 ID x 0.250 OD x 1/2 thk (circuit breaker stationary bracket).	ea	2
M-5	G507-7702642	7702642	AL-X1465 WO-A7804 FM-GPW10577	-----	INSULATOR, washer type, 1/4 ID x 3/8 OD x 1/2 thk (circuit breaker stationary bracket).	ea	2
M-5	G507-7702608	7702608	AL-VRA15 WO-A7796 FM-GPW10532	-----	NUT, knurled, br, No. 10-48NS (voltage regulator adjusting screw).	ea	3

(1) NOTE SYMBOL	(2) STOCK NO.	(3) ORDNANCE PART NO.	(4) MFR'S PART NO.	(5) FIGURE NO.	(6) NOMENCLATURE	(7) UNIT OF MEAS- URE	(8) QUAN- TITY PER UNIT ASSEM- BLY
GROUP 06—ELECTRICAL SYSTEM—Continued							
0602.1—GENERATOR REGULATOR (6-VOLT)—Continued							
G-9	G502-0139776	-----	AL-VRY3070D WO-A9051	06-4	REGULATOR, current, assy-----	ea	1
M-5	G121-0367250	-----	AL-VRY4203A AL-VRY4203B AL-VRY4203C AL-VRY4203D AL-VRY4203F WO-A1409 FM-GPW10505	-----	REGULATOR, generator, assy (6-volt) (Super- seded by REGULATOR AL-VRY4203G).	ea	1
G-9	G540-7337495	7337495	AL-VRY4203G WO-A15255 FM-GPW10505C	-----	REGULATOR, generator, assy (6-volt)-----	ea	1
H-1	H101-0215411	215411	-----	-----	SCREW, cap, hex-hd, S, cd or zn-pltd, $\frac{5}{16}$ - 24NF-2 x $1\frac{1}{4}$.	ea	2
H-1	H001-7025711	120214	-----	-----	WASHER, lock, med, S, cd or zn-pltd, $\frac{5}{16}$ in.	ea	4
H-1	H001-7043711	120393	-----	-----	WASHER, plain, SAE std, S, cd or zn-pltd, $\frac{5}{16}$ in.	ea	2
H-1	H001-7045561	120387	-----	-----	WASHER, plain, US std, S, cd or zn-pltd, $\frac{5}{16}$ in.	ea	2
G-9	G502-0139777	-----	AL-VRY3071B WO-A9049	06-4	REGULATOR, voltage, assy-----	ea	1
G-9	-----	-----	AL-8X1055 WO-A9053	-----	NUT, mach screw, hex, S, cd-pltd, $\frac{1}{4}$ -28- NF-2.	ea	3
H-1	H001-7025681	120380	-----	-----	WASHER, lock, med, S, cd or zn-pltd, $\frac{1}{4}$ in.	ea	3
M-5	G507-0367616	-----	AL-TC51U WO-A5256	-----	RESISTOR, carbon (7 ohms)-----	ea	1
M-5	G507-0367615	A346791	AL-TC51N WO-A9054 FM-GPW10594	-----	RESISTOR, carbon (80 ohms)-----	ea	2
H-1	H001-5147531	121832	-----	-----	SCREW, mach, rd-hd, S, cd or zn-pltd, No. 8-32NC-2 x $\frac{3}{8}$.	ea	6
H-1	H001-7025591	121841	-----	-----	WASHER, lock, med, S, cd or zn-pltd, No. 8.	ea	6
H-1	H001-7043591	131015	-----	-----	WASHER, plain, SAE std, S, cd or zn-pltd, No. 8.	ea	6

G-9			AL-8X137 WO-A9050 FM-355427S7	06-4	SCREW, mach, oval fil-hd, S, cd-pltd, 5/16-18NC-2 x 1/2 (terminal).	ea	3
H-1	H001-7025711	120214			WASHER, lock, med, S, cd or zn-pltd, 5/16 in.	ea	3
M-5	G502-7702665	7702665	AL-VRA16 WO-A7797 FM-GPW10523		SCREW, regulator adjusting (special, mach, br, No. 10-18NS-2 x 1 1/2).	ea	3
H-1	H101-5148821	121540		06-4	SCREW, mach, rd-hd, S, cd or zn-pltd, No. 10-32NF-2 x 5/16 (ground (1) and voltage regulator cable (2)).	ea	3
H-1	H001-5148851	132908		06-4	SCREW, mach, rd-hd, S, cd or zn-pltd, No. 10-32NF-2 x 1/2 (base mounting (6), cable (1)).	ea	7
G-9	G507-7702666	7702666	AL-GAG108 WO-A8 98		SEAL, cable	ea	1
M-5	G507-7702645	7702645	AL-VRA84 WO-A780 FM-GPW10554		SPRING, current and voltage regulator armature	ea	2
M-5	G507-7702646	7702646	AL-VRA17 WO-A7798		SPRING (circuit breaker armature)	ea	1
H-1	H001-7025621	120217			WASHER, lock, med, S, cd or zn-pltd, No. 10 (base mounting (6) ground (1) cables (4)).	ea	11
H-1	H001-7043621	120091		06-4	WASHER, plain, SAE, std, S, cd or zn-pltd, No. 10 (base mounting (6) ground (1) cable (4)).	ea	11
0602.3-GENERATOR REGULATOR (12-VOLT)							
M-5	G502-7702739	7702739	AL-VRY1043 FM-GPW10540		ARMATURE, circuit breaker, assy	ea	1
G-9			AL-VRH1061 FM-GPA10455		ARMATURE, current regulator, w/CONTACT, assy.	ea	1
G-9			AL-VRH1080 FM-GPA10551		ARMATURE, voltage regulator, assy	ea	1
M-5	G502-7703778	7703778	AL-VRH1073 FM-GPA10536	06-4	BRACKET, stationary, circuit breaker, w/CONTACT, assy.	ea	1
G-9	G502-7001046	7001046	AL-VRH3035 FM-GPW10502		EAKER, BRcircuit, assy	ea	1
G-9	9680-A17282		WO-A17282 FM-GPW14471B		CABLE, filter capacitor to battery and field terminals.	ea	2
M-5			AL-VRA23 AL-VRA76 FM-GPW10636		INSULATOR, circuit breaker (stationary contact bracket).	ea	1
M-5	G507-7702474	7702474	AL-GAA35 FM-GPW10544		INSULATOR, washer type, 0.187 in. ID, 0.250 in. OD, 1/32 thk (circuit breaker contact bracket).	ea	1
M-5	G507-7702642	7702642	AL-X1465 FM-GPW10577		INSULATOR, washer type, 1 1/4 in ID, 3/8 in. OD, 1/32 in thk (circuit breaker contact bracket).	ea	3
G-9	G502-7702535	7702535	AL-VHR3008		REGULATOR, current, assy	ea	1

(1) NOTE SYMBOL	(2) STOCK NO.	(3) ORDNANCE PART NO.	(4) MFR'S PART NO.	(5) FIGURE NO.	(6) NOMENCLATURE	(7) UNIT OF MEAS- URE	(8) QUAN- TITY PER UNIT ASSEM- BLY
GROUP 06—ELECTRICAL SYSTEM—Continued							
0602.3—GENERATOR REGULATOR (12-VOLT)—Continued							
G-9	G507-5618349	C118349	AL-VRH4101C FM-GPA10505	-----	REGULATOR, generator, assy-----	ea	1
G-9	G502-7702662	7702662	AL-VRH3071 FM-GPW10519B	-----	REGULATOR, voltage, assy-----	ea	1
G-9	G502-5346490	A346490	AL-TC51A FM-GPA10594A	-----	RESISTOR, carbon, 1 ohm-----	ea	1
M-5	G507-0367616	-----	WO-A5256 FM-GPW10570	-----	RESISTOR, carbon, 7 ohm-----	ea	1
G-9	G502-7702663	7702663	AL-TC51J FM-GPA10594B	-----	RESISTOR, carbon, 15 ohm-----	ea	1
G-9	G502-7702664	7702664	AL-TC51L FM-GPA10570	-----	RESISTOR, carbon, 30 ohm-----	ea	1
M-5	G507-0367615	A346791	AL-TC51N WO-A9054 FM-GPW10594	-----	RESISTOR, carbon, 80 ohm-----	ea	2
M-5	G502-7702665	7702665	AL-VRA16 WO-A7797 FM-GPW10523	-----	SCREW, mach, br, No. 10-48NS-2 x 1/2 (adjust- ing, circuit breaker, current and voltage regu- lators).	ea	3
M-5	G507-7702608	7702608	AL-VRA15 WO-A7796 FM-GPW10532	-----	NUT, knurled, br, No. 10-48NS-2-----	ea	3
G-9	-----	-----	AL-8X888	-----	SCREW, mach, fil-hd, S, cd or zn-pltd, No. 8- 32NC-2 x 3/16 (circuit breaker contact bracket).	ea	2
H-1	H101-0131966	131966	-----	-----	SCREW, mach, fil-hd, S, cd or zn-pltd, No. 8- 32NC-2 x 3/16 (adjusting current regulator, voltage regulator and circuit breaker bracket).	ea	6
H-1	H001-1518004	106496	-----	-----	WASHER, lock, med, S, No. 8-----	ea	6
H-1	H001-7043591	131015	-----	-----	WASHER, plain, SAE, std, S, cd or zn-pltd, No. 8.	ea	6
M-5	G507-7702646	7702646	AL-VRA17 FM-GPW10528	-----	SPRING (current regulator and circuit breaker armature).	ea	2
M-5	G507-7702645	7702645	AL-VRA84 FM-GPW10554	-----	SPRING, voltage regulator armature-----	ea	1

0603—STARTER AND SWITCHES

M-5	2980-MZ2089		AL-MZ2089 WO-A1568 FM-GPW11005	06-5	ARMATURE, assy-----	ea	1
G-9	G505-0131799		AL-MZ24A		BAND, cover, commutator end head, assy (for STARTER AL-MZ4124).	ea	1
M-5	2980-MZ-1024		AL-MZ1024 WO-109452 FM-GPW11077	06-5	BAND, cover, commutator, assy (for STARTER AL-MZ4311).	ea	1
H-1	H001-4139681	120611			NUT, mach screw, sq, S, cd or zn-pltd, No. 10-32NF-2.	ea	1
H-1	H101-0221102	221102			SCREW, mach, rd-hd, header pt, cd or zn-pltd, No. 10 32NF-2 x 1 1/4.	ea	1
M-5	G503-6167645	B167645	AL-MG77A WO-A1583 FM-GPW1395 FM-GPW11155		BEARING, bushing type, abs-bz, 0626 ID, 7535 OD, 0735 width (commutator end and intermediate bearing).	ea	2
M-5	G503-6167661	B167661	AL-MAB2040A WO-A1582 FM-GPW11130 FM-GPW11394	06-5	BEARING, intermediate, w/PLATE, assy-----	ea	1
M-5	3320-GPW11134		WO-639734 FM-GPW11134		BEARING, bushing type, starter drive end (in fly wheel housing).	ea	1
G-9	G503-7744463	7744463	AL-MZ1034A		BRUSH, grounded, assy (for STARTER AL-MZ4124).	ea	2
M-5	G505-6167640	B167640	AL-MZ1034 WO-109446 FM-GPW11056	06-5	BRUSH, grounded, assy (for STARTER AL-MZ4113).	ea	2
M-5	G503-7444101	77444101	AL-MZ12 AL-MZ12A WO-109431 FM-GPW11055	06-5	BRUSH, insulated, assy (for STARTER AL-MZ4113).	ea	2
G-9	9680-A17282		WO-A17282 FM-GPW14471B		CABLE, capacitor switch, assy-----	ea	1
G-9	3320-GPW14431		WO-1454 FM-GPW14431		CABLE, switch to stater, w/TERMINALS, assy--	ea	1
M-5	2980-MZ1009B		AL-MZ1009B WO-A1562 FM-GPW11082		COIL, field, lower left, assy (Superseded by COIL AL-MZ1009).	ea	1
G-9	2980-MZ1009		AL-MZ1009 WO-109427	06-5	COIL, field, lower left, assy-----	ea	1
M-5	G505-0179571		AL-MZ1008A WO-A1561 FM-GPW10084		COIL, field, lower right, assy (Superseded by COIL AL-MZ1008).	ea	1
G-9	2980-MZ1008		AL-MZ1008 WO-109428	06-5	COIL, field, lower right, assy-----	ea	1

(1) NOTE SYMBOL	(2) STOCK NO.	(3) ORDNANCE PART NO.	(4) MFR'S PART NO.	(5) FIGURE NO.	(6) NOMENCLATURE	(7) UNIT OF MEAS- URE	(8) QUAN- TITY PER UNIT ASSEM- BLY
GROUP 06—ELECTRICAL SYSTEM—Continued							
0603—STARTER AND SWITCHES—Continued							
M-5	G503-7734191	7734191	AL-MZ1007 WO-A1560 FM-GPW11083	06-5	COIL, field, upper left, assy-----	ea	1
M-5	G503-7324684	7324684	AL-MZ1010 WO-A1563 FM-GPW11085	06-5	COIL, field, upper right, assy-----	ea	1
M-5	G505-0179982	-----	AL-MZ32 WO-A1558 FM-GPW11090	06-5	CONNECTOR, field coil-----	ea	1
G-9	G503-7744102	7744102	AL-EBA78	-----	DRIVE, Bendix, assy (for STARTER AL-MZ4124)	ea	1
M-5	2980-EBA46	-----	AL-EBA46 WO-A1573 FM-GPW11350	-----	DRIVE, Bendix, assy (for STARTER AL-MZ4113)	ea	1
	2980-MZ74	-----	AL-MZ74 ECM-A2233	-----	EQUALIZER, field coil (for STARTER AL-MZ4124).	ea	1
G-9	-----	-----	AL-MZ2001C	-----	FRAME, w/field COILS, assy (for STARTER AL-MZ4124).	ea	1
M-5	G503-5215033	A215033	AL-EB8503 WO-A1576 FM-B11381 ECM-F2855	06-5	HEAD, Bendix drive-----	ea	1
H-1	H001-0518013	124546	-----	06-5	KEY, Woodruff, Ni-S, $\frac{3}{32}$ x $\frac{3}{8}$ (No. 505 or 6)	ea	1
M-5	2980-MZ2156	-----	AL-MZ2156 WO-A1566 FM-GPW11049	06-5	HEAD, commutator end, w/grounded BRUSHES, assy (for STARTER AL-MZ4113).	ea	1
H-1	H001-5127331	132105	-----	06-5	SCREW, mach, fil-hd, S, cd or zn-pltd, No. 10-32NF-2 x $\frac{3}{8}$.	ea	4
H-1	H001-7025621	120217	-----	-----	WASHER, lock, med, S, cd or zn-pltd, No. 10.	ea	4
G-9	G503-7744283	7744283	AL-MZ2156A	-----	HEAD, commutator end, w/grounded BRUSHES, assy (for STARTER AL-MZ4124).	ea	1
G-9	G505-6167638	B167638	AL-MZ16 WO-109442 FM-GPW11061	06-5	HOLDER, brush-----	ea	2
M-5	2980-PS1079A	-----	AL-PS1079A WO-A1585 FM-GPW11131	06-5	HOUSING, pinion, Bendix drive, assy-----	ea	1

M-5	3320-355164S2		AL-MZ52 WO-A1584 FM-355164S2	06-5	SCREW, hex-hd, S, No. 10-32NF-2 x 3/12---	ea	4
H-1	H001-7025621	120217			WASHER, lock, med, S, cd or zn-pltd, No. 10-	ea	1
M-5	G505-0156045		AL-MU31 WO-109436 FM-GPW11107	06-5	INSULATOR, bushing type, field coil terminal post	ea	1
M-5	G505-0365732		AL-MZ30A WO-A1557 FM-GPW11089	06-5	INSULATOR, field connector-----	ea	1
M-5	G503-6167650	B167650	AL-MU39 WO-109437 FM-GPW11095	06-5	INSULATOR, washer type, 2/4 ID, 1 OD, 0.093 thk (terminal post inner).	ea	1
M-5	G503-6167634	B167634	AL-MAB31 WO-A1553 FM-GPW11094	06-5	INSULATOR, washer type, 0.325 ID, 1/16 OD, 1/8 thk (terminal post outer).	ea	1
G-9	G503-7341366	7341366	WO-A1565 FM-355944S5		NUT, hex, thin, S, cop-pltd, 5/16-24NF-2 (starter switch terminal).	ea	1
G-9	G067-1200785	B167648	AL-MAB88 WO-A1586		PIN, dowel, S, 1/8 x 1/12 (intermediate bearing) ----	ea	1
M-5	G505-0579385		AL-MZ29 WO-A1556 FM-GPW11120	06-5	POLE, starter field coil-----	ea	4
M-5	G505-0666927		AL-MZ38A WO-A1559 FM-35548557	06-5	SCREW, special, fl-hd, S, cd-pltd, 3/8-16NC-2 x 0.54.	ea	4
M-5	G503-6167636	B167636	AL-MU28 WO-109433 FM-GPW11103	06-5	POST, terminal, field coil (5/16-24NF-2)-----	ea	1
G-9	G503-7341366	7341366	AL-5X1376 WO-A1565 FM-355944S5	06-5	NUT, thin, hex, S, cop-pltd, 5/16-24NF-2-----	ea	2
H-1	H001-7025711	120214		06-5	WASHER, lock, med, S, cd or zn-pltd, 5/16 in.	ea	2
M-5	G067-6167649	B167649	AL-MU37 WO-A1555 FM-351355S7		WASHER, plain, S, cd-pltd, 2/4 ID, 3/8 in. OD, 042 in. thick.	ea	2
H-1	H001-7045561	120387		06-5	WASHER, plain, US-std, S, cd or zn-pltd, 5/16 in.	ea	1
M-5	G503-5291275	A291275	AL-EB8734 WO-A1580 FM-B11371 ECM-F3120		RING, take-up, Bendix drive-----	ea	1
G-9	G067-0904740	A175246	AL-X532		RIVET, tubular, S, oval-hd, 1/8 x 1/4 (brushes)-----	ea	4
M-5	2980-EB8506		AL-EB8506 WO-A1578 FM-GPW11377 ECM-F3004	06-5	SCREW, Bendix drive spring, head end-----	ea	1
M-5							

(1) NOTE SYMBOL	(2) STOCK NO.	(3) ORDNANCE PART NO.	(4) MFR'S PART NO.	(5) FIGURE NO.	(6) NOMENCLATURE	(7) UNIT OF MEAS- URE	(8) QUAN- TITY PER UNIT ASSEM- BLY
GROUP-60 ELECTRICAL SYSTEM—Continued							
0603—STARTER AND SWITCHES—Continued							
M-5	2980-EB8507	-----	AL-EB8507 WO-A1579 FM-GPW11382 FM-GPW11378	06-5	SCREW, Bendix drive spring, shaft-end-----	ea	1
G-9	2980-EBA4611	-----	AL-EBA4611 WO-A1581 FM-GPW11354 ECM-F4045	06-5	SHAFT, Bendix drive, w/PINION, assy-----	ea	1
M-5	G503-5215019	A215019	AL-EB7819S WO-A1575 FM-B11357A	-----	SLEEVE, compression, Bendix drive-----	ea	1
G-9	2980-MZ51	-----	AL-MZ51 WO-A1569 FM-GPW11053	-----	SPACER, thrust, bearing-----	ea	1
M-5	2580-1848532	-----	AL-EB8505 WO-A1577 FM-GPW11375 ECM-F3136	06-5	SPRING, Bendix drive-----	ea	1
	G067-0905560	A215035	AL-EB8705	-----	SPRING, Bendix drive (Used with STARTER 7744103).	ea	1
	G067-0904910	A215034	AL-EB7807	-----	SCREW-----	ea	1
	G067-0904880	A215036	AL-EB7806	-----	SCREW-----	ea	1
	G503-5215030	A215030	AL-EB108	-----	WASHER, lock-----	ea	1
M-5	G507-6167639	B167639	AL-MZ19 WO-109445 FM-B11059	06-5	SPRING, brush-----	ea	1
G-9	G503-0295838	-----	FM-GPW11002	-----	STARTER, assy (6-volt) (Superseded by START- ER AL-MZ4113).	ea	1
M-5	G503-0295835	-----	AL-MZ4113 WO-A1245 FM-GPW11001 FM-GPW11001A	01-2 05-2	STARTER, assy (6-volt)-----	ea	1
H-1	H101-0215452	215452	-----	-----	SCREW, cap, hex-hd, S, $\frac{3}{8}$ -16NC-2 x 1 $\frac{1}{4}$ ----	ea	2
H-1	H001-7025741	120382	-----	-----	WASHER, lock, med, S, cd-zn-pltd, $\frac{3}{8}$ in-----	ea	2
G-9	G503-7713415	7713415	AL-MZ4124	-----	STARTER, assy (12-volt)-----	ea	1

G-9	3320-GPW-11140		WO-638646 FM-GPW11140		SUPPORT, starter to engine block	ea	1
H-1	H101-0214656	214656			SCREW, cap, hex-hd, S, cd or zn-pltd, $\frac{5}{16}$ - 24NF-2 x $\frac{5}{8}$.	ea	1
H-1	H101-0215450	215450			SCREW, cap, hex-hd, S, cd or zn-pltd, $\frac{5}{16}$ - 16NC-2 x 1.	ea	1
H-1	H001-7124741	178551			WASHER, lock, int-ext-teeth, S, cd or zn-pltd, $\frac{5}{8}$ x 0.985.	ea	2
H-1	H001-7021771	138538			WASHER, lock, int-teeth, reg, S, cd or zn-pltd, $\frac{5}{16}$ in.	ea	1
H-1	H001-7045561	120387			WASHER, plain, US std, S, cd or zn-pltd, $\frac{5}{16}$ in.	ea	1
G-9	G503-0393787		WO-A6181		SWITCH, starter, assy (Superseded by SWITCH AL-5934A3).	ea	1
G-9	G503-0393787		AL-SW4015 WO-A7225 FM-9N11450A		SWITCH, starter, assy (Superseded by SWITCH AL-5934A3).	ea	1
M-5			AL-5934A3 WO-A17143	18-2	SWITCH, starter, assy	ea	1
H-1	H001-4167521	120367			NUT, hex, s-fin, light, S, cd or zn-pltd, $\frac{1}{4}$ - 20NF-2.	ea	2
H-1	H001-5418261	123316			SCREW, cap, hex-hd, S, cd or zn-pltd, $\frac{1}{4}$ - 28NF-3 x $\frac{1}{2}$.	ea	2
M-5	G503-7734194	7734194	AL-MU14 WO-A1554 FM-GPW11102	06-5	TERMINAL, field coil	ea	1
M-5	G503-5215030	A215030	AL-EB108 WO-A1574 FM-B11379 ECM-F3073	06-5	WASHER, lock, S, cd-pltd, $\frac{2}{64}$ ID, $\frac{1}{16}$ OD, $\frac{1}{16}$ thick (Bendix drive spring screw).	ea	2
G-9	G507-5308275	A308275	AL-MU54	06-5	WASHER, thrust, fibre, 0.645 x $1\frac{1}{4}$ x $\frac{1}{32}$ thk (armature commutator end).	ea	1
0604.1-DISTRIBUTOR							
G-9	2980-1GS1080		AL-IGS1080 WO-A1674 FM-GPW12155	06-6, 7	ARM, spark advance control, assy	ea	1
G-9			AL-IAD2001 WO-A9313 FM-GPW 12139B	06-7	BASE, assy (for DISTRIBUTOR AL-IAD4008 only).	ea	1
M-5			AL-IGS2135 WO-A1679 FM-GPW12139	06-6	BASE, assy (for DISTRIBUTOR AL-IGC4705 only).	ea	1
M-5	G507-6167596	B167596	AL-IG579A WO-A1681 FM-GPW12082	06-7	BEARING, bushing type, bz, $\frac{1}{2}$ in. ID, $\frac{3}{8}$ in. OD, 1 in. lg.	ea	2

(1) NOTE SYMBOL	(2) STOCK NO.	(3) ORDNANCE PART NO.	(4) MFR'S PART NO.	(5) FIGURE NO.	(6) NOMENCLATURE	(7) UNIT OF MEAS- URE	(8) QUAN- TITY PER UNIT ASSEM- BLY
GROUP 06—ELECTRICAL SYSTEM—Continued							
0604.1—DISTRIBUTOR—Continued							
G-9	G502-7329386	7329386	AL-IGC1149 WO-A1564 FM-GPW12218	06-7	BRACKET, stationary, contact, assy-----	ea	1
H-1	H001-5125801	131949	-----	06-6, 7	SCREW, mach, fil-hd, S, cd or zn-pltd, No. 8-32NC-2 x 3/16.	ea	1
H-1	H001-7021651	138530	-----	06-6	WASHER, lock, int-teeth, reg. S, cd or zn- pltd, No. 8.	ea	1
M-5	G503-0131548	-----	AL-IGC1132LB AL-IAD1100LB-1 AL-IG1324 WO-A1655 FM-GPW12106	06-6	CAM, breaker, assy (See PLATES with the same part numbers).	ea	1
G-9	2980-IG1324D	-----	AL-IG1324D WO-A9307 FM-GPW12106B	06-7	CAP, assy (for DISTRIBUTOR AL-IAD4008 only).	ea	1
M-5	G507-5346776	A346776	AL-IGW3139 WO-A1631 FM-GPW12300	06-6, 7	CAPACITOR, assy-----	ea	1
H-1	H001-5127311	132096	-----	06-6, 7	SCREW, mach, fil-hd, S, cd or zn-pltd, No. 10-32NF-2 x 1/4.	ea	1
H-1	H101-0131875	131875	-----	06-6	SCREW, mach, fil-hd, S, cd or zn-pltd, No. 6-32NC-2 x 3/16.	ea	1
H-1	H001-7025621	120217	-----	06-6, 7	WASHER, lock, med, S, cd or zn-pltd, No. 10.	ea	1
H-1	H001-7025561	131044	-----	06-6	WASHER, lock, med, S, cd or zn-pltd, No. 6.	ea	1
M-5	G507-5346775	A346775	AL-IG676 WO-A1663 FM-GPW12217	06-6, 7	CLIP, breaker lever spring-----	ea	1
G-9	G503-5307281	A307281	AL-AGB199 WO-A1659 FM-GPW12195	06-6, 7	COLLAR, drive shaft-----	ea	1
H-1	H001-4555600	103693	-----	06-6, 7	PIN, stght, champhered, cold-fin-S, 1/8 x 3/8----	ea	1
G-9	-----	-----	AL-IAD7 WO-A10276 FM-GPW12165	06-7	CONNECTOR, terminal post, assy (for DISTRIB- UTOR AL-IAD4008 only).	ea	1

M-5	G507-7324173	7324173	AL-IG514 WO-A1656 FM-GPW12011	-----	CONTACT, cap (carbon button)-----	ea	1
M-5	G505-5346771	A346771	AL-IGC117 WO-A1660 FM-GPW12174	06-6	COVER, term. slot (for DISTRIBUTOR AL-IGC4705 only).	ea	1
K-3	45-C-9272	45-C-9272	-----	01-3 06-6, 7	CUP, oil, steel, hinge lid type, stght, ¼ in. drive---	ea	1
M-5	G503-0152015	-----	AL-IGC4705 WO-A1244 FM-GPW12100	-----	DISTRIBUTOR, assy (Superseded by DISTRIBUTOR AL-IAD4008).	ea	1
G-9	2980-IAD4008	-----	AL-IAD4008 WO-A9075 FM-GPW12100B	01-2, 3 05-2	DISTRIBUTOR, assy (dust proof)-----	ea	1
H-1	H101-0214577	214577	-----	-----	SCREW, cap, hex-hd, S, cd or zn-pltd, ¼-20NC-2 x ½.	ea	1
H-1	H001-7025681	120380	-----	-----	WASHER, lock, med, S, cd or zn-pltd, ¼ in.	ea	1
H-1	H001-7043681	120392	-----	-----	WASHER, plain, SAE, std, S, cd or zn-pltd, ¼ in.	ea	1
G-9	G502-7702632	7702632	AL-IAD10 WO-A10278 FM-GPW12165	06-7	INSULATOR, bushing type, terminal (for DISTRIBUTOR AL-IAD4008 only).	ea	1
G-9	-----	-----	AL-IAD8 WO-A10277 FM-GPW12166	06-7	INSULATOR, terminal post (for DISTRIBUTOR AL-IAD4008 only).	ea	1
M-5	G507-7702464	7702464	AL-IGL9 WO-A10280 FM-GPW12157	06-7	INSULATOR, washer type, terminal post, bakelite-linen, 0.190 ID, ½ OD, ⅛ thk (for DISTRIBUTOR AL-IAD4008 only).	ea ea	1 1
G-9	-----	-----	AL-IGP5028 WO-A1570 FM-GPW12155	06-7	LEVER, breaker, assy-----	ea	1
H-1	H001-5146431	121839	-----	06-6, 7	SCREW, mach, rd-hd, S, cd or zn-pltd, No. 6-32NC-2 x ⅝.	ea	1
H-1	H001-7043561	131014	-----	06-6, 7	WASHER, plain, SAE, std, S, cd or zn-pltd, No. 6.	ea	1
G-9	2980-IAD1004	-----	AL-IAD1004 WO-A9310 FM-GPW12010B	-----	PLATE, breaker, assy (for DISTRIBUTOR AL-IAD4008 only).	ea	1
G-9	G121-0340277	A346770	AL-IGC1148 WO-A1664 FM-GPW12010	06-6	PLATE, breaker, assy (for DISTRIBUTOR AL-IGC4705 only).	ea	1
H-1	H101-0132100	132100	-----	06-6	SCREW, mach, fil-hd, S, cd or zn-pltd, No. 10-32NF-2 x ⅝.	ea	1
H-1	H001-7025621	120217	-----	06-6	WASHER, lock, med, S, cd or zn-pltd, No. 10.	ea	1

(1) NOTE SYMBOL	(2) STOCK NO.	(3) ORDNANCE PART NO.	(4) MFR'S PART NO.	(5) FIGURE NO.	(6) NOMENCLATURE	(7) UNIT OF MEAS- URE	(8) QUAN- TITY PER UNIT ASSEM- BLY
GROUP 06—ELECTRICAL SYSTEM—Continued							
0604.1—DISTRIBUTOR—Continued							
M-5	G121-0340306	-----	AL-IGC2148C WO-A1662 FM-GPW12151	-----	PLATE, breaker, w/CAPACITOR and POINT SET, assy (for DISTRIBUTOR AL-IGC4705 only).	ea	1
G-9	2980-IAD2004	-----	AL-IAD2004 WO-A9309 FM-GPW12151B	06-7	PLATE, breaker, w/CAPACITOR and POINT SET, assy (for DISTRIBUTOR AL-IAD4008 only).	ea	1
G-9	2980-X2878	-----	AL-X2878 WO-A9318 FM-350110S7	06-7	SCREW, mach, fil-hd, S, cd-pltd, No. 10-32NC-2 x 5/8.	ea	2
G-9	2980-IGC1132LB	-----	AL-IGC1132LB WO-A1661 FM-GPW12176	06-6	PLATE, cam and stop, assy (for DISTRIBUTOR AL-IGC4705 only) (Also known as CAM, breaker, assy).	ea	1
G-9	2980-IAD1100LB-1	-----	AL-IAD1100LB-1 WO-A9308 FM-GPW12176B	06-7	PLATE, cam and stop, assy (for DISTRIBUTOR AL-IAD4008 only) (Also known as CAM, breaker, assy).	ea	1
M-5	G507-5346774	A346774	AL-IGP3028FS WO-A1687 FM-GPW18354	06-6	POINT SET-----	ea	1
Composed of:							
1 BRACKET.							
1 LEVER.							
G-9	G502-7702637	7702637	AL-ILG-8 WO-A10279 FM-GPW12163	06-7	POST, terminal, assy (for DISTRIBUTOR AL-IAD4008 only).	ea	1
H-1	H001-4135681	120614	-----	06-7	NUT, mach screw, hex, S, cd or zn-pltd, No. 10-32NF-2.	ea	2
H-1	H001-7025621	120217	-----	06-7	WASHER, lock, med, S, cd or zn-pltd, No. 10-	ea	2
H-1	H001-7045491	120385	-----	06-7	WASHER, plain, US std, S, cd or zn-pltd, No. 10.	ea	1
M-5	G507-5346767	A346767	AL-IG680 WO-A1653 FM-GPW12177	06-6, 7	RING, retaining, cam-----	ea	1
M-5	G503-0373638	-----	AL-IG1657R WO-A1658 FM-GPW12200	06-6, 7	ROTOR, assy-----	ea	1

H-1		110985		06-7	SCREW, mach, rd-hd, S, No. 6-32NC-2 x 3/16 (terminal post connector) (for DISTRIBUTOR AL-IAD4008 only).	ea	1
G-9	2980-IAD-2015		AL-IAD2015 WO-A9316 FM-GPW12094	06-7	SEAL, breaker plate (for DISTRIBUTOR AL-IAD4008 only).	ea	1
G-9	2980-IGS2134LA		AL-IGS1134LA WO-A9312 FM-GPW12178B	06-7	SHAFT, drive, assy (for DISTRIBUTOR AL-IAD4008 only).	ea	1
G-9	2980-IGS2134LA		AL-IGS2134LA WO-A9311 FM-GPW12175B		SHAFT, drive, w/GOVERNOR, assy (for DISTRIBUTOR AL-IAD4008 only).	ea	1
G-9			AL-IGS1134L WO-A1678 FM-GPW12178	06-6	SHAFT, drive, assy (for DISTRIBUTOR AL-IGC4705 only).	ea	1
M-5	2980-IGS2134L		AL-IGS2134L WO-A1675 FM-GPW12175		SHAFT, drive, w/GOVERNOR, assy (for DISTRIBUTOR AL-IGC4705 only).	ea	1
M-5	G507-5346768	A346768	AL-IGS99 WO-A1672 FM-GPW12120	06-6, 7	SPACER, S, 5/16, ID, 7/16 OD, 5/32 thk (cam spring)	ea	1
G-9			AL-IGT69 WO-A1684 FM-GPW12191	06-6	SPRING, antirattle (for DISTRIBUTOR AL-IGC4705 only).	ea	1
M-5	G121-0389890	A346780	AL-IG694 WO-A1682 FM-GPW12144	06-6	SPRING, cap clamp	ea	2
H-1		135764		06-6	RIVET, tubular, oval-hd, S, 1/8 x 1 1/32	ea	2
M-5	G507-7324174	7324174	AL-IG515 WO-A1657 FM-GPW12012		SPRING, cap secondary circuit contact plunger	ea	1
G-9	9680-637615		WO-637615 FM-GPW12083	01-3	SPRING, torsion, distributor drive shaft	ea	1
G-9	2980-IGB202S		AL-IGB202S WO-A1677 FM-GPW12084	06-6	SPRING SET, governor weight (for DISTRIBUTOR AL-IGC4705 only).	ea	1
G-9	2980-IGB350S		AL-IGB350S WO-A10047 FM-GPW12084B	06-7	SPRING SET, governor weight (for DISTRIBUTOR AL-IAD4008 only).	ea	1
G-9	2980-IAD12		AL-IAD12 WO-9317 FM-GPW12095	06-7	WASHER, felt, plate (for DISTRIBUTOR AL-IAD4008 only).	ea	1
M-5	G507-5307283	A307283	AL-IG90 WO-106740 FM-GPW12193	06-6, 7	WASHER, thrust, drive shaft, lower	ea	1

(1) NOTE SYMBOL	(2) STOCK NO.	(3) ORDNANCE PART NO.	(4) MFR'S PART NO.	(5) FIGURE NO.	(6) NOMENCLATURE	(7) UNIT OF MEAS- URE	(8) QUAN- TITY PER UNIT ASSEM- BLY
GROUP 06—ELECTRICAL SYSTEM—Continued							
0604.1—DISTRIBUTOR—Continued							
M-5	G507-5175364	A175364	AL-IGS104 WO-A1673 FM-GPW12182	06-6, 7	WASHER, thrust, 0.501 ID, $\frac{5}{16}$ OD, $\frac{1}{2}$ thk (drive shaft, upper).	ea	1
G-9	G116-1843100	-----	AL-IG816C WO-A1654 FM-GPW12267	06-6, 7	WASHER, thrust, spark advance arm-----	ea	1
G-9	2980-IGC2168L	-----	AL-IGC2168L WO-A9314 FM-GPW12188B	06-7	WEIGHT, governor, assy (for DISTRIBUTOR AL-IAD4008 only).	ea	2
G-9	G116-1845184	-----	AL-IG2456 WO-A1676 FM-GPW12188	06-6	WEIGHT, governor, assy (for DISTRIBUTOR AL-IGC-4705 only).	ea	2
M-5	G507-5346784	A346784	AL-IGH28 WO-A1671 FM-GPW12133	06-6, 7	WICK, oil, felt, washer type-----	ea	1
0605—IGNITION COIL, CABLES, SWITCH, AND SPARK PLUGS							
G-9	2980-IG-17985	-----	AL-IC17980D WO-A1526 FM-GPW12030	-----	BRACKET, ignition coil-----	ea	1
H-1	H001-4167561	120368	-----	-----	NUT, hex, light, s-fin, S, cd or zn-pltd, $\frac{1}{16}$ - 24NF-2.	ea	2
G-9	9680-635886	-----	WO-635886 FM-357689S7	-----	STUD, S, cd-pltd, $\frac{1}{4}$ -20NC x 1 x $\frac{1}{4}$ -28NF-2--	ea	2
H-1	H001-7124701	174916	-----	-----	WASHER, lock, int-ext-teeth, S, cd or zn- pltd, $\frac{1}{4}$ in. x 0.760.	ea	2
-----	-----	-----	WO-631105 FM-GPW12064	-----	WASHER, plain, S, black enameled, $\frac{1}{2}$ in----	ea	1
H-1	H001-7043681	120392	-----	-----	WASHER, plain, SAE, std, S, cd or zn-pltd, $\frac{1}{4}$ in.	ea	2
G-9	3320-GPW12091A	-----	WO-301435 FM-GPW12091A	-----	BUSHING, spark plug cable support (ru, $\frac{1}{16}$ in. hole).	ea	1
G-9	3320-GPW14321	-----	WO-A5083 FM-GPW14321	-----	CABLE, coil primary, assy (low tension) (for 6- volt system).	ea	1
G-9	G503-7713379	7713379	FM-GPW14456	-----	CABLE, coil primary, assy (low tension) (for 12- volt system).	ea	1

M-5	3320-GPW12298B		WO-A1420 FM-GPW12298B	06-9	CABLE, coil secondary (high tension)	ea	1
M-5	3320-GPW12287		WO-A1412 FM-GPW12287	06-9	CABLE, spark plug No. 1	ea	1
M-5	3320-GPW12284		WO-A1414 FM-GPW12284	06-9	CABLE, spark plug No. 2	ea	1
M-5	3320-GPW12283		WO-A1416 FM-GPW12283		CABLE, spark plug No. 3	ea	1
M-5	3320-GPW12286		WO-A1418 FM-GPW12286		CABLE, spark plug No. 4	ea	1
G-9	9680-A1096		WO-A1096 FM-11A12425		CAP, spark plug insulator	ea	4
G-9	G503-0139784		AL-IG4070L WO-A1424 FM-GPW12000		COIL, ignition, w/BRACKET and WASHER, assy (6-volt) (Superseded by COIL 7744196).	ea	1
G-9	G503-0139784		AL-IG4070L WO-A7792 FM-GPW12000B	01-2, 3	COIL, ignition, w/BRACKET and WASHER, assy (6-volt) (does not have bottom ground connection) (Superseded by COIL 7744196).	ea	1
	G503-7744196	7744196	AL-IG6009 WO-647820		COIL, ignition, w/BRACKET, assy (6-volt)	ea	1
G-9	G503-7713377	7713377	FM-GPA12000		COIL, ignition, assy (12-volt)	ea	1
H-2	H102-0150189	150189			GASKET, annular, cop., oval section, 14 mm (spark plug).	ea	4
G-9			WO-A6814 FM-GPW3685B		HANDLE, ignition switch	ea	1
G-9	G503-7698204	7698204	WO-A2518 FM-GPW3685		KEY, ignition switch	ea	1
H-4	H004-0345000	120095			NIPPLE, insulating, distributor, 7 mm cable, ru, $\frac{1}{8}$ in. ID body (ignition cables).	ea	5
G-9			DM-53170A WO-A6813		NUT, mounting, ignition switch	ea	1
H-4	H004-0501010	501010			PLUG, spark, 14 mm, med, $\frac{1}{8}$ in. hex	ea	4
H-1	H001-5147511	122159			SCREW, mach, rd-hd, S, cd or zn-pltd, No. 8 (0.164) 32NC-2 x $\frac{1}{4}$ (ignition switch terminal).	ea	2
G-9			DM-51104 WO-A1350 FM-356229S7		WASHER, lock, int-teeth, S, cd-pltd, No. 8	ea	2
G-9	2760-5941		DM-5941 WO-A2517 FM-GPW3686		SWITCH, ignition, assy (key type) (Superseded by SWITCH DM-6282).	ea	1
G-9	G513-7088753	7088753	DM-6282 WO-A6811 FM-GPW3686B	18-2	SWITCH, ignition, assy (keyless type)	ea	1
G-9	G518-7001402	7001402	WO-307556 FM-B14463		TERMINAL, coil primary cable	ea	1
H-4	H004-0368000	507105			TERMINAL, distributor, solderless br. 7 mm, cable, (spark plug and coil secondary cables).	ea	5

(1) NOTE SYMBOL	(2) STOCK NO.	(3) ORDNANCE PART NO.	(4) MFR'S PART NO.	(5) FIGURE NO.	(6) NOMENCLATURE	(7) UNIT OF MEAS- URE	(8) QUAN- TITY PER UNIT ASSEM- BLY	
GROUP 06—ELECTRICAL SYSTEM—Continued								
0005—IGNITION COIL, CABLES, SWITCH, AND SPARK PLUGS—Continued								
G-9	G503-5250653	A250653	WO-314369 FM-B14466	-----	TERMINAL, spark plug and coil secondary cables (Superseded by TERMINAL 507105).	ea	5	
H-4	H004-0368000	507105 B167589	AL-IG94 WO-A1652 FM-GPW12006	-----	TERMINAL, distributor, cable, solderless, br, 7-mm cable (spark plug cable, high tension).	ea	4	
0607—INSTRUMENT PANEL WIRING, LIGHTS, AND GAGES								
H-4	H004-0501303	501303	-----	-----	ADAPTER, instrument panel lights, 12 prong, S.	ea	2	
G-9	G503-7341364	7341364	AL-10311A AL-10075A WO-A5231 WO-A8186 FM-GPW10850 FM-GPW10850B	18-2	AMMETER, assy (50 amp)-----	ea	1	
H-1	H001-4135681	120614	-----	-----	NUT, mach screw, hex, S, cd or zn-pltd, No. 10-32NF-2.	ea	2	
H-1	H001-7025621	120217	-----	-----	WASHER, lock, med, S, cd or zn-pltd, No. 10.	ea	2	
						BRACKET, mounting, ammeter-----	ea	1
						BRACKET; mounting, fuel gage-----	ea	1
						BRACKET, mounting, oil pressure gage and water temperature gage.	ea	1
G-9	G116-0400771	-----	AL-10313A AL-9799A WO-A8184 WO-A1268 FM-GPW9280	18-2	GAGE, fuel assy (6-volt)-----	ea	1	
G-9	G503 7713588	7713588	SW-441044	-----	GAGE, fuel, assy (12-volt)-----	ea	1	
G-9	G121-0194050	7056073	AL-1017A AL-10310A WO-A8190 WO-A1269 FM-GPW9273	18-2	GAGE oil pressure, assy-----	ea	1	
H-1	H001-4135681	120614	-----	-----	NUT, mach screw, hex, S, cd or zn-pltd, No. 10-32NF-2.	ea	2	

H-1	H001-7025621	120217			WASHER, lock, med, S, cd or zn-pltd, No. 10.	ea	2
G-9	G503-0232469		AL-10312	18-2	GAGE, water temperature	ea	1
			AL-10014A				
			WO-A8188				
			WO-A1270				
			FM-GPW10883				
G-9	G503-7697867	7697867	WO-662420		GROMMET, water temperature gage (ru, $\frac{3}{16}$ in.)	ea	1
			FM-GPW9319A				
H-4	H104-0115273	115273			LAMP, elec, incand, min, 6-8 v, sgle-tung-fil, No. 51, 1 cp (for 6-volt system).	ea	1
H-4	H104-0131282	131282			LAMP, elec, incand, min, 12-16 v, sgle-tung-fil, No. 53, 1 cp (for 12-volt system).	ea	1
H-4	H004-0504780	504780			SHIELD, instrument light, 12 prong, S.	ea	1
G-9	3320-GPW13710		WO-A1411	06-9	SOCKET, lamp, w/CABLE, assy (includes 2 sockets).	ea	1
			FM-GPW13710				
					0608-SWITCHES, JUNCTION BLOCKS, AND CIRCUIT BREAKERS		
G-9	3320-GPW14448A		FM-GPW14448A		BLOCK, junction, 2 post, assy (Superseded by BLOCK WO-639599).	ea	1
G-9	3320-GPW14448C		WO-639599		BLOCK, junction, 2 post, assy	ea	2
			FM-GPW14448C				
H-1	H001-5148271	120222			SCREW, mach, rd-hd, S, cd or zn-pltd, No. 10-24NC-2 x $\frac{5}{8}$.	ea	1
H-1	H001-7025621	120217			WASHER, lock, med, S, cd or zn-pltd, No. 10.	ea	4
G-9	3320-GPW14448D		WO-A1490		BLOCK, junction, 6 post, assy	ea	1
			FM-GPW14448D				
			FM-GPW14448B				
H-1	H001-5148281	120910			SCREW, mach, rd-hd, S, cd or zn-pltd, No. 10-24NC-2 x $\frac{3}{4}$.	ea	2
H-1	H001-7025621	120217			WASHER, lock, med, S, cd or zn-pltd, No. 10.	ea	2
		7713500	WEP-1008		BLOCK, junction, blackout head light resistor (for 12-volt system).	ea	1
G-9	G503-0125901	7016441	WO-A1734		BREAKER, circuit, 15 amp, assy (ammeter and horn).	ea	2
			WO-A15804				
			FM-GPW12250E				
			FM-GPW12250B				
H-1	H001-4135621	120622			NUT, mach screw, hex, S, cd or zn-pltd, No. 8-32NC-2.	ea	4
H-1	H001-5147561	132764			SCREW, mach, rd-hd, S, cd or zn-pltd, No. 8-32NC-2 x $\frac{5}{8}$.	ea	4
H-1	H001-7025591	121841			WASHER, lock, med, S, cd or zn-pltd, No. 8.	ea	4
G-9	G503-0125900		WO-A17333		BREAKER, circuit, 5 amp, assy (ignition switch and fuel gage).	ea	1
			FM-GPW12250A				

(1) NOTE SYMBOL	(2) STOCK NO.	(3) ORDNANCE PART NO.	(4) MFR'S PART NO.	(5) FIGURE NO.	(6) NOMENCLATURE	(7) UNIT OF MEAS- URE	(8) QUAN- TITY PER UNIT ASSEM- BLY
					GROUP 06—ELECTRICAL SYSTEM—Continued		
					0608—SWITCHES, JUNCTION BLOCKS, AND CIRCUIT BREAKERS—Continued		
G-9	G503-0325902	-----	DM-53097A WO-A1349 FM-GPW12250C	-----	BREAKER, circuit, 30 amp, assy (main light switch) (for SWITCH DM-6244).	ea	1
	G503-7704015	7704015	FM-GPW12250D	-----	BREAKER, circuit, 30 amp, assy (main light switch).	ea	1
G-9	G503-7037380	7037380	DM-5943 WO-A1347	-----	CONTROL, lock nut, blackout light switch, assy--	ea	1
			WO-A6152	-----	KNOB, blackout light switch, w/set SCREW, assy.	ea	1
G-9	G503-7088755	7088755	DM-5999	-----	KNOB, instrument panel light switch, w/set	ea	1
			WO-A1352	-----	SCREW, assy.		
G-9	G503-7036866	7036866	DM-5944 WO-A1348	-----	KNOB, light switch, w/set SCREW, assy-----	ea	1
G-9	G503-5381088	A381088	DM-53875A WO-A11868 FM-G8T11661	-----	LEVER, main light switch (for SWITCH DM-6244).	ea	1
H-1	H001-5125831	131963	-----	-----	SCREW, mach, fil-hd, S, cd or zn-pltd, No. 8-32NC-2 x 3/8.	ea	1
			WO-A11869 FM-G8T11670	-----	PLATE, escutcheon, rotary light switch-----	ea	1
G-9	G503-7713396	7713396	-----	-----	RESISTOR, blackout driving light (for 12-volt system).	ea	1
H-1	H101-0426903	426903	-----	-----	NUT, mach screw, hex, S, cd or zn-pltd, No. 10-32NF-3.	ea	2
H-1	H001-5148891	132923	-----	-----	SCREW, mach, rd-hd, S, cd or zn-pltd, No. 10-32NF-2 x 1.	ea	2
H-1	H001-7045491	120385	-----	-----	WASHER, plain, US-std, S, cd or zn-pltd, No. 10.	ea	2
H-1	H001-7025621	120217	-----	-----	WASHER, lock, med, S, cd or zn-pltd, No. 10.	ea	2
H-1	H001-5125821	131958	-----	-----	SCREW, mach, fil-hd, S, cd or zn-pltd, No. 8-32NC-2 x 3/16 (light switch terminal).	ea	7
			DM-51104 WO-A1350 FM-356229S7	-----	WASHER, lock, int-teeth, S, cd or zn-pltd, No. 8.	ea	7

H-4	H004-0506602	506602	DM-D398 WO-A6149 FM-GTB13739 WO-A1351		SWITCH, light, push-pull, 2-position, assy -----	ea	1
			WO-A1353		SWITCH, blackout driving light, assy (Willy's only after Serial No. 163750).	ea	1
H-1	H001-1519011	115549			NUT, hex, S, $\frac{3}{8}$ -24NF-2 -----	ea	1
G-9	G508-7000419	7000419	DM-6245 WO-A12056 FM-G8T13532		WASHER, lock, int-teeth, reg, S, $\frac{3}{8}$ in. -----	ea	1
					SWITCH, dimmer, head light foot control, assy (closed type term.).	ea	1
G-9	G508-7000419	7000419	CL-9654 WO-638979 FM-GPW13532	18-2	SWITCH, dimmer, headlight foot control (push-in type terminal).	ea	1
H-1	H001-5150731	120628			SCREW, mach, rd-hd, S, cd or zn-pltd, $\frac{1}{4}$ -20NC-2 x $\frac{1}{2}$.	ea	3
H-1	H001-7025681	120380			WASHER, lock, med, S, cd or zn-pltd, $\frac{1}{4}$ in. -----	ea	1
H-4	H004-0506605	506605			SWITCH, light, blackout, push-pull, safety lock, assy (main lights).	ea	1
H-1	H001-7025681	120380			WASHER, lock, med, S, cd or zn-pltd, $\frac{1}{4}$ in. -----	ea	1
H-4	H004-0506602	506602		18-2	SWITCH, light, push-pull, 2 position, assy (instrument panel light).	ea	1
H-1	H001-4019541	219708			NUT, jam, hex, reg, s-fin, S, cd or zn-pltd, $\frac{3}{8}$ -24NF-2 (Willy's only).	ea	1
H-1	H001-5147511	122159			SCREW, mach, rd-hd, S, cd or zn-pltd, No. 8 (0.164) 32NC-2 x $\frac{1}{4}$.	ea	2
H-1	H001-7021651	138530			WASHER, lock, int-teeth, reg, S, cd or zn- pltd, No. 8.	ea	1
			DM-6203 WO-A11867 FM-G8T11654		SWITCH, main, lights, rotary type, assy -----	ea	1
G-9	G503-7036582	7036582	DM-6244 WO-A11866 FM-G8T11649	06-9 18-2	SWITCH, main lights, w/circuit BREAKER, assy (rotary type).	ea	1
G-9	G503-7324844	7324844	DM-53879 WO-A11871 FM-360036S8		NUT, hex, thin, S, cd or zn-pltd, $\frac{1}{2}$ -20NF-2 -----	ea	1
H-1	H001-7021861	138549			WASHER, lock, int-teeth, reg, S, cd or zn- pltd, $\frac{1}{2}$ in.	ea	1
G-9	G085-2102215	A283457	WO-A1271 FM-11A13480	12-4	SWITCH, stop light, assy -----	ea	1
G-9	3320-356299S		WO-A1089 FM-356299S		WASHER, S, $\frac{1}{4}$ in. (terminal block screw) -----	ea	10

(1) NOTE SYMBOL	(2) STOCK NO.	(3) ORDNANCE PART NO.	(4) MFR'S PART NO.	(5) FIGURE NO.	(6) NOMENCLATURE	(7) UNIT OF MEAS- URE	(8) QUAN- TITY PER UNIT ASSEM- BLY
GROUP 06—ELECTRICAL SYSTEM—Continued							
0609.1—LIGHTS: HEAD, TAIL AND MARKER; LAMP-UNITS							
G-9	3320-GPW13175C		CB-6012 WO-A1361 FM-GPW13022	06-8	BOLT, amounting, head light.....	ea	2
G-9	3320-GPW131410		CB-11503 WO-A11770 FM-GPW13175C		CABLE, blackout head light, assy (Superseded by CABLE WO-A11770).	ea	1
G-9	3320-GPW13410		WO-A11770 FM-GPW131410	06-8, 9	CABLE, blackout head light, assy.....	ea	2
G-9	3320-GPW13410		WO-A719 FM-GPW13410		CABLE, blackout tail light to connector.....	ea	1
G-9			CB-11200 WO-A6147 FM-GPW13174	06-8	CABLE, ground, blackout, head light, assy.....	ea	1
			WO-A1731 FM-GPW14436		CABLE, ground, head light.....	ea	1
G-9	3320-GPW13076		WO-52993 FM-32852S7 WO-A1362		SCREW, tapping, rd-hd, S, cd-pltd, No. 10 x ¾.	ea	2
G-9	3320-GPW13075		FM-GPW13076 WO-A1363 FM-GPW13075	06-8	CABLE, left, head light, assy.....	ea	1
H-4	H004-O504435	504435		06-8	DOOR, blackout marker lamp, w/LENS and FILTER, assy.	ea	2
H-1	H101-O134235	134235		06-8	SCREW, mach, oval-hd, S, cd or zn-pltd, No. 8-32NC-2 x ¾.	ea	2
H-4	H004-O504430	504430			DOOR, blackout tail and blackout stop light.....	ea	1
H-4	H004-O504432	504432		06-8	DOOR, blackout tail and service tail and stop light.	ea	1
H-1	H101-O132780	132780		06-8	SCREW, mach, rd-hd, S, cd or zn-pltd, No. 8-32NC-2 x 1¼.	ea	4
G-9	G121-0155535	7007587	CB-8523 WO-A1036 FM-GPW13043	06-8	DOOR, head light, assy.....	ea	2
H-1	H101-0427249	427249		06-8	SCREW, mach, fil-hd, br, cd or zn-pltd, No. 8- 32NC-2 x ¾.	ea	2
H-4	H004-0504426	504426		06-8	DOOR, head light, w/locating and fastening lugs, assy (blackout head light).	ea	1

H-1	H001-5125831	131963	-----	06-8	SCREW, mach, fil-hd, S, cd or zn-pltd, No. 8-32NC-2 x $\frac{3}{8}$.	ea	1
H-1	H001-7021651	138530	-----		WASHER, lock, int-teeth, reg, S, cd or zn-pltd, No. 8.	ea	1
G-9	G503-7010624	7010624	WO-A15304 FM-GPW13209		GASKET, blackout, head light door	ea	1
G-9	3320-GPW13209B	-----	CB-9281 WO-A1071 FM-GPW13209B	06-8	GASKET, marker light, door	ea	1
G-9	G503-7697858	7697858	WO-A2878 FM-GPW13032		HINGE, head light, support	ea	2
H-1	H001-5026111	214018	-----		SCREW, cap, hex-hd, S, cd or zn-pltd, $\frac{1}{16}$ -18NC-2 x $\frac{5}{8}$.	ea	4
H-1	H001-4026521	220070	-----		NUT, hex, reg, s-fin, S, cd or zn-pltd, $\frac{1}{16}$ -18NC-2.	ea	4
H-1	H001-7025711	120214	-----		WASHER, lock, med, S, cd or zn-pltd, $\frac{5}{16}$ in.	ea	4
			CB-11500 WO-A6143 FM-GPW13170	06-8	HOUSING, blackout head light, assy	ea	1
			CB-10436 WO-A5586 FM-GPW13012	06-8	HOUSING, head light, assy	ea	2
			CB-10461 WO-A1439 FM-GPW13217		HOUSING, left marker light, w/CABLE, assy	ea	1
			CB-10462 WO-A1440 FM-GPW	06-8	HOUSING, right marker light, w/CABLE, assy	ea	1
G-9			CB-9212 WO-A1073 FM-GPW13408B	06-8	HOUSING, tail and stop light, assy	ea	1
H-4	H104-0142303	142303	-----	06-8	LAMP, elec, incand, min, 6-8 v, sgle-tung-fil, No. 63, 3 cp (SC cand-bay-base, G-6 bulb, C-2R fil).	ea	2
H-4	H104-0190917	190917	-----		LAMP, elec, incand, min, 12-16 v, sgle-tung-fil, No. 1247, 3 cp (SC cand-bay-base, G-6 bulb, C-2R-C-2R fil in series).	ea	1
H-4	H004-0504423	504423	-----		LAMP-UNIT, blackout, stop, sealed opening (upper), 6-8 v, 3 cp.	ea	1
H-4	H004-0504422	504422	-----		LAMP-UNIT, blackout, stop, sealed, 1 opening, (upper) 12-16 v, 3 cp.	ea	1
H-4	H004-0504420	504420	-----	06-8	LAMP-UNIT, blackout, tail, sealed, 4 opening, (lower) 6-8 v, 3 cp.	ea	2
H-4	H004-0504419	504419	-----		LAMP-UNIT, blackout, tail, sealed, 4 opening, (lower) 12-16 v, 3 cp.	ea	2

(1) NOTE SYMBOL	(2) STOCK NO.	(3) ORDNANCE PART NO.	(4) MFR'S PART NO.	(5) FIGURE NO.	(6) NOMENCLATURE	(7) UNIT OF MEAS- URE	(8) QUAN- TITY PER UNIT ASSEM- BLY
GROUP 06—ELECTRICAL SYSTEM—Continued							
0609.1—LIGHTS: HEAD, TAIL AND MARKER; LAMP-UNITS— Continued							
H-4	H004-0504433	504433	-----	06-8	LAMP-UNIT, incand, blackout, driving, sealed, shielded, metal reflector, 6-8 v, No. 2405S, 15 w, 10 cp, C-6 fil. (9-32NC-2 screw term.).	ea	1
H-4	H104-0193152	193152	-----	06-8	LAMP-UNIT, incand, sealed, metal reflector, 6-8 v, dble-tung-fil, 3 prong base, No. 4031, 45-35 w. (PAR-46 bulb).	ea	2
H-4	H104-0193153	193153	-----	-----	LAMP-UNIT, incand, sealed, metal reflector, 12-16 v, dble-tung-fil, 3 prong base, No. 4431, 45-35 w. (PAR-46 bulbs).	ea	2
H-4	H004-0504417	504417	-----	06-8	LAMP-UNIT, service tail and stop, sealed (upper), 6-8 v, 21-3 cp.	ea	1
H-4	H004-0504416	504416	-----	-----	LAMP-UNIT, service tail and stop, sealed (upper), 12-16 v, 21-6 cp.	ea	1
H-4	H004-0504413	504413	-----	15-3	LIGHT, blackout tail and blackout stop, 6-8 v, 7/8 in. studs, assy.	ea	1
H-4	H004-0504406	504406	-----	-----	LIGHT, blackout tail and service tail and stop, 6-8 v, 7/8 in. studs, assy.	ea	1
H-1	H001-4167501	120375	-----	-----	NUT, hex, light, s-fin, S, cd or zn-pltd, 1/4-20 NC-2.	ea	4
H-1	H001-7025681	120380	-----	-----	WASHER, lock, med, S, cd or zn-pltd, 1/4 in.	ea	4
G-9	3320-GPW13150	-----	CB-11495 WO-A6142 FM-GPW13150	-----	LIGHT, head, blackout, assy (Superseded by LIGHT WO-A11768).	ea	1
G-9	3320-GPW13150C	-----	WO-A11768 FM-GPW13150C	-----	LIGHT, head, blackout, assy	ea	1
H-1	H101-0123221	123221	-----	06-8	NUT, hex, light, s-fin, S, cd or zn-pltd, 3/8-16NC-3.	ea	1
H-1	H001-7025741 G503-0211411	120382	-----	06-8 18-1	WASHER, lock, med, S, cd or zn-pltd, 3/8 in.	ea	1
	G503-0211410	-----	CB-215142 WO-A1304 FM-GPW13006A CB-215242 WO-A1305 FM-GPW13005A	18-1	LIGHT, head, left, assy (6-volt)	ea	1
					LIGHT, head, right, assy (6-volt)	ea	1

H-1	H001-4167681	120371	-----	06-8	NUT, hex, light, s-fin, S, cd or zn-pltd, 1/2-20NF-2.	ea	2
H-1	H001-7025801	120384	-----	06-8	WASHER, lock, med, S, cd or zn-pltd, 1/2 in.	ea	2
G-9	2300-415342		-----	18-1	LIGHT, marker, left, assy (6-volt) (Superseded by LIGHT 504439).	ea	1
G-9	2300-415442		-----	18-1	LIGHT, marker, right, assy (6-volt) (Superseded by LIGHT 504439).	ea	1
H-4	H004-0504439	504439	-----		LIGHT, blackout marker, type C pinless mounting base, 6-8 v, assy.	ea	2
H-1	H001-4167561	120368	-----	06-8	NUT, hex, light, s-fin, S, cd or zn-pltd, 5/16-24NF-2.	ea	2
H-1	H001-7025711	120214	-----	06-8	WASHER, lock, med, S, cd or zn-pltd, 5/16 in.	ea	2
H-1	H101-0219275	219275	-----		NIPPLE, ru, marker light.	ea	2
H-1			-----		NUT, wing, light, S, phos-ctd, 7/16-20NF-2 (head light mounting bracket bolt).	ea	2
G-9			-----		PAD, mounting, marker light.	ea	2
H-1	H001-0811025	103361	-----		PIN, clevis, S, 0.248 diam, 25/64 lgh (head light support bolt).	ea	2
H-1	H001-5148811	132892	-----	06-8	PIN, cotter, split, S, 1/16 x 1/2.	ea	1
H-1	H001-7025621	120217	-----	06-8	RETAINER, head light mounting bolt.	ea	2
H-4	H004-0504427	504427	-----	06-8	SCREW, mach, rd-hd, S, cd or zn-pltd, No. 10-32NF-2 x 1/4.	ea	2
H-4			-----	06-8	WASHER, lock, med, S, cd or zn-pltd, No. 10.	ea	2
H-4			-----	06-8	RING and SPRING, sealed head lamp unit, assy (blackout driving light).	ea	1
H-4			-----	06-8	SCREW, blackout head light ground.	ea	1
H-4	H004-0504852	504852	-----		SEAL, insulating, tail light socket, ru.	ea	2
G503-7697859	7697859	WO-A2870 FM-GPW13071	-----		SUPPORT, head light, left, assy.	ea	1
G503-7697852	7697852	WO-A2871 FM-GPW13070	-----		SUPPORT, head light, right, assy.	ea	1
G503-7697876	7697876	WO-A2873 FM-GPW13020	-----		BOLT, S, 5/16-18NC-2, w/NUT and WASHER, assy.	ea	2
		WO-A6313 FM-GPW13180	-----	06-8	WASHER, adjusting, blackout, head light.	ea	1

(1) NOTE SYMBOL	(2) STOCK NO.	(3) ORDNANCE PART NO.	(4) MFR'S PART NO.	(5) FIGURE NO.	(6) NOMENCLATURE	(7) UNIT OF MEAS- URE	(8) QUAN TITY PER UNIT ASSEM- BLY
					GROUP 06—ELECTRICAL SYSTEM—Continued		
					0611—HORN, BUTTON, AND SWITCH		
	3320-GPW13831	-----	WO-A1389 FM-GPW13831	-----	BRACKET, horn, assy-----	ea	1
H-1	H101-0122198	122198	-----	-----	NUT, jam, hex, light, s-fin, S, cd or zn-pltd, 5/16-24NF-3.	ea	2
H-1	H001-5419821	120741	-----	-----	SCREW, cap, hex-hd, S, cd or zn-pltd, 5/16- 24NF-3 x 3/4.	ea	2
H-1	H001-7025711	120214	-----	-----	WASHER, lock, med, S, cd or zn-pltd, 5/16 in.	ea	2
H-1	H001-7045561	120387	-----	-----	WASHER, plain, US std, S, cd or zn-pltd, 5/16 in.	ea	2
G-9	G160-0126260	-----	RG-032087 WO-A302 FM-GPW13836	14-2	BRUSH, contact, steering column horn cable con- tact ring, assy.	ea	1
H-1	H001-5147511	122159	-----	-----	SCREW, mach, rd-hd, S, cd or zn-pltd, No. 8-32NC-2 x 1/4.	ea	2
H-1	H001-7021651	138530	-----	-----	WASHER, lock, int-teeth, reg, S, cd or zn- pltd, No. 8.	ea	2
G-9	7640-450054	-----	RG-450054 WO-A634 FM-GPW3627	14-2 18-2	BUTTON, contact, horn-----	ea	1
G-9	7640-828732	-----	RG-828732 WO-A752 FM-GPW14171	14-2	CABLE, horn, steering column, assy-----	ea	1
G-9	7640-029046	-----	RG-029046 WO-638885 FM-GPW3646	14-2	CUP, horn, contact button spring-----	ea	1
G-9	7640-051033	-----	RG-051033 FM-GPW3635	-----	FERRULE, insulating, steering column horn cable upper contact terminal (Superseded by FER- RULE RG051035).	ea	1
G-9	7640-051035	-----	RG-051035 WO-A751 FM-GPW3635B	14-2	FERRULE, insulating, steering column horn cable upper contact terminal.	ea	1
G-9	3320-GPW13802	-----	WO-A1312 FM-GPW13802	-----	HORN, assy (6-volt) (Superseded by HORN 7743681).	ea	1

H-1	G503-7743681 H101-0213878	7743681 213878	SPW-A18345		HORN, w/BRACKET, assy (6-volts)-----	ea	1
					SCREW, cap, hex-hd, S, cd or zn-pltd, ¼- 28NF-2 x ¾.	ea	2
H-1	H001-7025681	120380			WASHER, lock, med, S, cd or zn-pltd, ¼ in.	ea	2
G-9	G504-7089882	7089882	SPW-B9567 SPW-B10540		HORN, assy (12-volts)-----	ea	1
H-1	H001-4135621	120622			NUT, mach screw, hex, S, cd or zn-pltd, No. 8- 32NC-2 (horn adjusting).	ea	2
H-1	H001-7025591	121841			WASHER, lock, med, S, cd or zn-pltd, No. 8.	ea	2
G-9	7640-063991		RG-063991 WO-A747 FM-GPW3652	14-2	RING, contact, steering column horn cable-----	ea	1
G-9	7640-401107		RG-401107 WO-638884	14-2	SPRING, horn contact button-----	ea	1
G-9	7640-029049		RG-029049 WO-A750 FM-GPW3631	14-2	WASHER, horn cable upper contact terminal-----	ea	1
0612-BATTERIES, HANGERS, BOXES, AND CABLES							
H-15	H015-0500902	500902		05-2	BATTERY, storage, lead acid, 6 v (3 cell), charged and dry, type 2H, 10¾ x 7½ x 9¾ (max. dimen- sions).	ea	2
H-4	H004-0116300	501924			BOLT, battery terminal, sq-hd, S, ld-ctd, ⅝-18NC, w/NUT.	ea	2
	G503-7713418	7713418			BRACKET, hold down, battery, outer (for 12-volt system).	ea	1
	G503-7713397	7713397			BRACKET, hold down, battery, end (for 12-volt system).	ea	2
H-1		503523			NUT, wing, S, phos-ctd, ⅝-16NC-2-----	ea	6
H-1	H001-7025745	115093			WASHER, lock, med, S, phos-ctd, ⅜ in-----	ea	6
G-9	3320-GPWS14447	7713376	FM-GPWS14447		CABLE, battery connecting, w/TERMINALS assy.	ea	1
H-1	H101-0432768	432768			BOLT, sq-hd, unfin, S, ld-ctd, ⅝-18NC-2 x 1⅞.	ea	2
H-1	H101-0432769	43269			NUT, hex, light, s-fin, S, ld-ctd, ⅝-18NC-2--	ea	1
G-9	3320-GPWS14301	7713389	FM-GPWS14301		CABLE, battery ground (for 12-volt system)----	ea	1
H-1	H001-7025711	120214			WASHER, lock, med, S, cd or zn-pltd, ⅝ in--	ea	1
H-1	H001-7045561	120387			WASHER, plain, US std, S, cd or zn-pltd, ⅝ in. (⅜ ID x ⅜ OD x ⅝ thick).	ea	1
	G503-7713416	7713416			COVER, battery, assy (for 12-volt system)-----	ea	1
H-1	H001-4167541	120376			NUT, hex, light, s-fin, S, cd or zn-pltd, ⅝- 18NC-2.	ea	4
H-1	H001-4052541	503513			NUT, wing, heavy, S, cd or zn-pltd, ⅝- 18NC-2.	ea	4
H-1	H001-5025541	214003			SCREW, cap, hex-hd, S, cd or zn-pltd, ¼- 20NC-2 x 1.	ea	2

(1) NOTE SYMBOL	(2) STOCK NO.	(3) ORDNANCE PART NO.	(4) MFR'S PART NO.	(5) FIGURE NO.	(6) NOMENCLATURE	(7) UNIT OF MEAS- URE	(8) QUAN- TITY PER UNIT ASSEM- BLY
GROUP 06—ELECTRICAL SYSTEM—Continued							
0612—BATTERIES, HANGERS, BOXES, AND CABLES—Con.							
COVER—Continued							
H-1	H001-5026141	216929	-----	-----	SCREW, cap, hex-hd, S, cd or zn-pltd, $\frac{5}{16}$ -18NC-2 x 1.	ea	2
H-1	H001-7124721	178542	-----	-----	WASHER, lock, int-ext-teeth, S, cd or zn-pltd, $\frac{5}{16}$ x 1.070 (1.045 to 1.070 in. OD).	ea	12
G-9	3320-GPW5165	-----	WO-A1291 FM-GPW5165	-----	FRAME, hold down, battery-----	ea	1
			WO-A1164 FM-GPW5175	-----	BOLT, S, $\frac{5}{16}$ -18NC-2 x 9-----	ea	2
H-1	H001-7025711	120214	WO-300329	-----	NUT, wing, S, $\frac{5}{16}$ -18NC-2-----	ea	2
			WO-52768	-----	WASHER, lock, med, S, cd or zn-pltd, $\frac{5}{16}$ in.	ea	2
			FM-356305S	-----	WASHER, plain, S, $2\frac{1}{4}$ in. ID-----	ea	2
H-1	H101-0503541	503103	-----	-----	NUT, wing, heavy, S, cd or zn-pltd, $\frac{3}{8}$ -16NC-2 (battery hold down).	ea	6
G-9	G503-7697853	7697853	WO-A1757 FM-GPW5168	05-2	STRAP, battery, hold down frame to front fender--	ea	1
H-1	H101-0142745	142745	WO-A2466	05-2	NUT, wing, light, S, cd or zn-pltd, $\frac{5}{16}$ -18NC-2.	ea	1
H-1	H001-7025711	120214	-----	-----	WASHER, lock, med, S, cd or zn-pltd, $\frac{5}{16}$ in.	ea	1
			WO-52768	-----	WASHER, plain, S, $2\frac{1}{4}$ in. ID-----	ea	1
			FM-356305S	-----			
G-9	G085-2215605	-----	WO-A1320 FM-GPW14301	06-9	STRAP, ground, battery (6-volt system)-----	ea	1
H-1	H001-4027541	220071	-----	-----	NUT, hex, reg, s-fin, S, cd or zn-pltd, $\frac{3}{8}$ -24NF-2.	ea	1
H-1	H001-5027121	213925	-----	-----	SCREW, cap, hex-hd, S, cd or zn-pltd, $\frac{3}{8}$ -24NF-2 x $\frac{3}{8}$.	ea	1
H-1	H001-7025741	120382	-----	-----	WASHER, lock, med, S, cd or zn-pltd, $\frac{3}{8}$ in.	ea	1
H-1	H001-7043741	120394	-----	-----	WASHER, plain, SAE std, S, cd or zn-pltd, $\frac{3}{8}$ in.	ea	1
			G503-7713387	-----	SUPPORT, battery, assy (for 12-volt system)-----	ea	1
H-1	H001-4167541	120376	-----	-----	NUT, hex, light, s-fin, S, cd or zn-pltd, $\frac{5}{16}$ -18NC-2.	ea	5
H-1	H001-5026141	216929	-----	-----	SCREW, cap, hex-hd, S, cd or zn-pltd, $\frac{5}{16}$ -18NC-2 x 1.	ea	4
H-1	H101-0214020	214020	-----	-----	SCREW, cap, hex-hd, S, cd or zn-pltd, $\frac{5}{16}$ -18NC-2 x $1\frac{1}{2}$.	ea	1

H-1	H001-7124721	178542			WASHER, lock, int-ext-teeth, S, cd or zn-pltd, $\frac{5}{16}$.	ea	5
G-9	3320-11A14452		WO-371400 FM-11A14452		TERMINAL, battery. cable (12-volt system) (Superseded by TERMINAL 506243).	ea	1
H-4	H004-0181120	506243			TERMINAL, cable, solder, side formed, rd-end, one hole, cop. 125 amp, No. 1/0 cable, hole for $\frac{5}{16}$ in. stud.	ea	1
H-4	H004-0116300	501924			BOLT, battery terminal, sq-hd, S, ld-ctd, $\frac{5}{16}$ -18NC x $1\frac{1}{4}$, w/NUT.	ea	1
	G503-7743516	7743516	WO-372668 FM-19BJ4451		TERMINAL, battery cable, positive	ea	1
H-4	H104-0200120	200120			TERMINAL; eyelet, solder, type N, single ear, hole for $\frac{5}{16}$ in. stud, 0.091 thick, br, No. 200 1 AWG cable (for battery to starter switch cable).	ea	1
G-9	3320-GPA14451C	7713412	FM-GPA14451C		TERMINAL, negative, battery cable (12-volt system).	ea	1
G-9	3320-GPA14450C	7713413	FM-GPA14450C		TERMINAL, positive, battery cable (12-volt system).	ea	1
0613.1-CHASSIS WIRING							
G-9	3320-GPW14300		WO-A1452 FM-GPW14300	06-9	CABLE, battery to starter switch, positive (6-volt system).	ea	1
G-9	3320-GPWS14300B	7713417	FM-GPWS14300B		CABLE, battery to starter switch, positive (12-volt system).	ea	1
			WO-A6153 FM-GPW13181	06-9	CABLE, blackout head light connector to switch	ea	1
	G503-7713379	7713379	WO-A5078 WO-A5079 FM-GPW14456		CABLE, filter, battery to starter switch	ea	1
			WO-A5073 FM-GPW14459		CABLE, filter, coil primary to junction block	ea	1
G-9	G503-7697865	7697865	WO-A5080 FM-GPW14416		CABLE, filter, regulator to junction block	ea	1
G-9	G503-7697866	7697866	WO-A5070 FM-GPW14406		CABLE, fuel gage to circuit breaker	ea	1
G-9	3320-GPW14465		WO-A5082 FM-GPW14465		CABLE, fuel gage to fuel tank sending unit	ea	1
			WO-A5081 FM-GPW14409	06-9	CABLE, generator regulator to junction block	ea	1
			WO-A5072 FM-GPW14458	06-9	CABLE, horn to junction block, assy	ea	1
G-9	9680-A17337		WO-A17337 FM-GPW14471D		CABLE, ignition switch to ammeter to blackout switch.	ea	1
G-9	3320-GPW14431		WO-A1454 FM-GPW14431	06-9	CABLE, assy radio terminal box capacitor to ground).	ea	1
					CABLE, starting switch to starter	ea	1

(1) NOTE SYMBOL	(2) STOCK NO.	(3) ORDNANCE PART NO.	(4) MFR'S PART NO.	(5) FIGURE NO.	(6) NOMENCLATURE	(7) UNIT OF MEAS- URE	(8) QUAN- TITY PER UNIT ASSEM- BLY
					GROUP 06—ELECTRICAL SYSTEM—Continued		
					0613.1—CHASSIS WIRING—Continued		
	G503-7341775	7341775	WO-A5598 FM-GPW14561	-----	CLIP, open, ¼ in., ½ in. bolt hole-----	ea	8
			WO-A5449 FM-GPW14560	-----	CLIP, open, ⅜ in., ½ in. bolt hole-----	ea	13
		7713400	-----	-----	CLIP, open, S, ⅜ in., 0.27 bolt hole (battery to starter switch cable) (for 12-volt system).	ea	2
H-1	H101-0219430	219430	-----	-----	NUT, hex, light, thick, s-fin, S, cd or zn-pltd, ¼-20NC-2.	ea	2
H-1	H001-5025541	214003	-----	-----	SCREW, cap, hex-hd, S, cd or zn-pltd, ¼- 20NC-2 x 1.	ea	2
H-1	H001-7124701	174916	-----	-----	WASHER, lock, int-ext-teeth, S, cd or zn- pltd, ¼.	ea	4
			WO-A1289 FM-GPW14585	-----	CLIP, S, closed, ⅜ in., 1½ bolt hole-----	ea	1
	G503-7343086	7343086	WO-A5450 FM-GPW9295 WO-78932 FM-GPW14566	-----	CLIP, S, open, ⅜ in., ½ in. bolt hole-----	ea	6
			-----	-----	CLIP, S, zn-pltd, ⅝ in., ¼ in. bolt hole-----	ea	2
H-1	H001-4135661	120361	-----	-----	NUT, mach screw, hex, S, cd or zn-pltd, No. 10-24NC-2.	ea	19
H-1	H001-5148271	120222	-----	-----	SCREW, mach, rd-hd, S, cd or zn-pltd, No. 10-24NC-2 x ⅝.	ea	19
H-1	H101-0171507	171507	-----	-----	SCREW, tapping, rd-hd, fluted, taper-pt, S, cd or zn-pltd, No. 10-24NC-2 x ⅝.	ea	1
H-1	H001-1049033	101995	-----	-----	SCREW, wood, rd-hd, S, No. 10 x ⅝ in-----	ea	1
H-1	H001-7025621	120217	-----	-----	WASHER, lock, med, S, cd or zn-pltd, No. 10.	ea	19
			WO-52768 FM-356305S	-----	WASHER, plain, S, 2¼ in. ID-----	ea	1
		7713408	-----	-----	CONDUIT, battery to starter switch cable (for 12-volt system).	ea	1
G-9	G503-5244794	A244794	WO-635981 FM-GPW14487B	06-9	CONNECTOR, 2 wire, assy (blackout head light harness).	ea	1
G-9	3320-GPW14487A	-----	WO-635985 FM-GPW14487A	06-9	CONNECTOR, 3 wire, assy (head light and stop and tail light harness).	ea	3
		7713757	DM-52692	-----	CONNECTOR, bullet terminal (blackout head light resistor).	ea	2

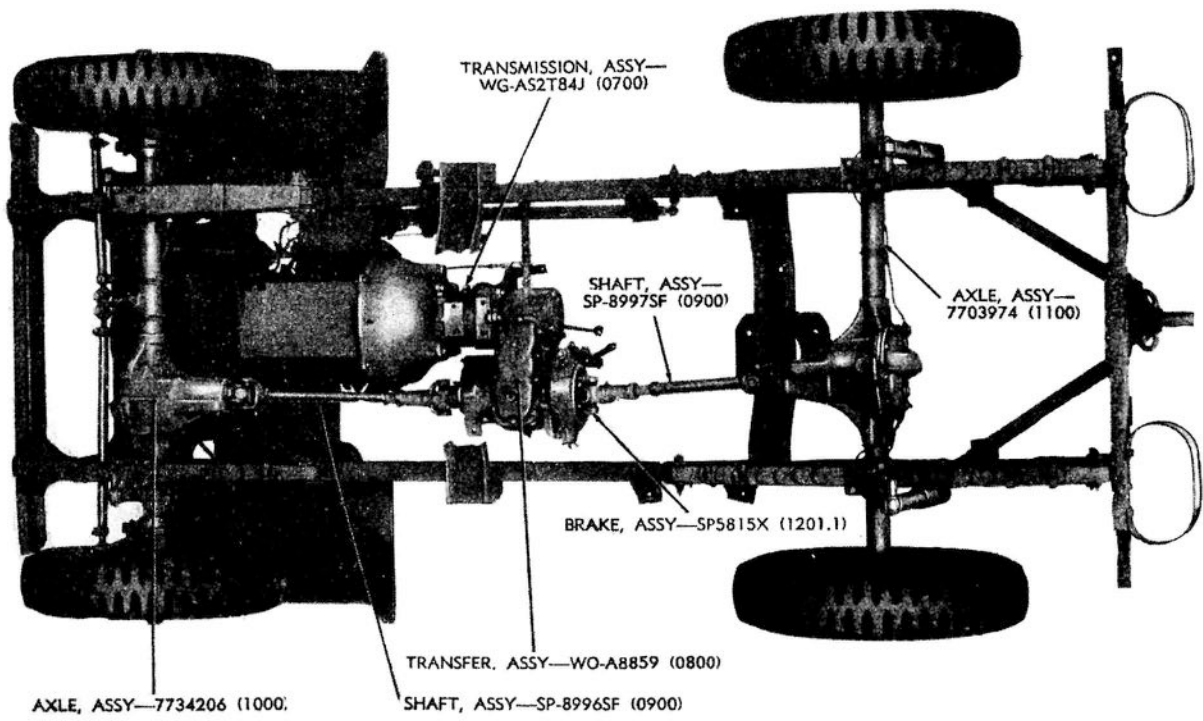
G-9	G518-7000997	7000997	WO-345961 FM-GPW13434A		GROMMET, ru, 1 $\frac{1}{2}$ in. (wiring harness thru dash trailer and coupling socket cable thru floor pan).	ea	4
G-9	G529-7338991	7338991	WO-662276 FM-GPW13437A		GROMMET, wiring harness thru dash ($\frac{5}{8}$ in.)	ea	1
G-9	3320-GPW14425B		WO-A7825 FM-GPW14425B		HARNESS, wiring, body, assy (fabric conduit)	ea	1
	G503-7744365	7744365	WO-A6355 FM-GPWS14407		HARNESS, wiring, body, assy (trailer coupling connection).	ca	1
G-9	G503-7743527	7743527	WO-A9144 FM-GPW14402A		HARNESS, wiring, body, left side, short	ea	1
G-9			WO-A1551 FM-GPW14402		HARNESS, wiring, body, left side, short (Superseded by HARNESS, WO-A6154).	ea	1
G-9	G503-7743527	7743527	WO-A6154 FM-GPW14402B	06-9	HARNESS, wiring, body, left side, short (used w/push pull light switch).	ea	1
G-9	3320-GPW14407A		FM-GPW14407A		HARNESS, wiring, body, long, assy (Superseded by HARNESS WO-A5048).	ea	1
G-9	3320-GPW14407C		FM-GPW14407C		HARNESS, wiring, body, long, assy (Superseded by HARNESS WO-A5048).	ea	1
G-9	3320-GPW14407B		FM-GPW14407B		HARNESS, wiring, body, long, assy (Superseded by HARNESS WO-A5048).	ea	1
G-9	G503-7704014	7704014	WO-A5048 FM-GPW14401D	06-9	HARNESS, wiring, body, long, assy (used w/dimmer switch WO638979).	ea	1
G-9	3320-GPW14401F		WO-A9220 FM-GPW14401F		HARNESS, wiring, body, long, assy (used w/dimmer switch WO-A12056).	ea	1
G-9	3320-GPW14446		WO-A5061 FM-GPW14446	06-9	HARNESS, wiring, chassis, left side, assy	ea	1
G-9	3320-GPW14432		WO-A5981 FM-GPW14432	06-9	HARNESS, wiring, filter, assy (consists of 4 cables).	ea	1
G-9	3320-GPW14305D		FM-GPW14305D WO-A7824		HARNESS, wiring, generator to voltage regulator (6-volt system).	ea	1
	G503-7713904	7713904			HARNESS, wiring, generator to voltage regulator, assy (12-volt system).	ea	1
G-9	3320-GPW14305		WO-A5074 FM-GPW14305	06-9	HARNESS, wiring, generator to voltage regulator and filter, assy.	ea	1
G-9	3320-GPW14425		WO-A1665 FM-GPW14425	06-9	HARNESS, wiring, head light, assy (metal conduit)	ea	1
H-1	H001-5148891	132923			SCREW, mach, rd-hd, S, cd or zn-pltd, No. 10-32NF-2 x 1 (clip to fender).	ea	1
H-1	H101-0426903	426903			NUT, mach screw, hex, S, cd or zn-pltd, No. 10-32NF-3.	ea	1
H-1	H001-7124621	178378			WASHER, lock, int-ext-teeth, S, cd or zn-pltd, No. 10.	ea	1
	3320-GPW-18846		WO-A5041 FM-GPW18846		STRAP (generator regulator to generator)	ea	1

(1) NOTE SYMBOL	(2) STOCK NO.	(3) ORDNANCE PART NO.	(4) MFR'S PART NO.	(5) FIGURE NO.	(6) NOMENCLATURE	(7) UNIT OF MEAS- URE	(8) QUAN- TITY PER UNIT ASSEM- BLY
GROUP 06—ELECTRICAL SYSTEM—Continued							
0615—RADIO SUPPRESSION ITEMS							
H-1	G503-7058931 H101-0426903	7058931 426903	-----	06-10	BRACKET, distributor shield, assy -	ea	1
H-1	H001-5148891	132923	-----	06-10	NUT, mach screw, hex, S, cd or zn-pltd, No. 10-32NF-3.	ea	1
H-1	H001-5148831	132900	-----	-----	SCREW, mach, rd-hd, S, cd or zn-pltd, No. 10-32NF-2 x 1.	ea	1
H-1	H001-7025621	120217 7058919	-----	06-10	SCREW, mach, rd-hd, S, cd or zn-pltd, No. 10-32NF-2 x 3/8.	ea	1
H-1	H101-0426903	426903	-----	06-10	WASHER, lock, med, S, cd or zn-pltd, No. 10.	ea	2
H-1	H001-5148831	132900	-----	06-10	BRACKET, hold down, distributor shield (for 12-volt system).	ea	1
H-1	H001-7025621	120217 7058926	-----	06-10	NUT, mach screw, hex, S, cd or zn-pltd, No. 10-32NF-3.	ea	1
	G503-7713393	7713393	SPR-2159	06-10	SCREW, mach, rd-hd, S, cd or zn-pltd, No. 10-32NF-2 x 3/8.	ea	1
	G503-7713394	7713394	-----	06-10	WASHER, lock, med, S, cd or zn-pltd, No. 10.	ea	1
H-1	H101-0426903	426903	-----	06-10	BRACKET, ignition coil shield, assy (for 12-volt system).	ea	1
H-1	H001-5148831	132900	-----	06-10	CAPACITOR, 0.1 MFD (filter, ignition coil, body and bracket) (for 12-volt system).	ea	2
H-1	H001-7025621	120217	-----	06-10	CAPACITOR, 0.01 MFD (starter switch and generator regulator battery terminal) (for 12-volt system).	ea	2
H-4	H004-0502028	502028	-----	06-10	NUT, mach screw, hex, S, cd or zn-pltd, No. 10-32NF-3.	ea	8
H-1	H101-0178460	178460	-----	06-10	SCREW, mach, rd-hd, S, cd or zn-pltd, No. 10-32NF-2 x 3/8.	ea	8
			-----	06-10	WASHER, lock, med, S, cd or zn-pltd, No. 10.	ea	8
G-9	3320-GPW18938B	-----	WO-A8010 FM-GPW18938B	-----	CAPACITOR, end mounting clip, 100 v, d-c, 0.10 MFD, CA-448, 1/2 in. screw hole (filter radio terminal).	ea	1
			-----	-----	SCREW, ext-teeth, lock washer, rd-hd, header-pt, S, cd or zn-pltd, No. 8-32NC-2 x 3/8.	ea	1
			-----	-----	CAPACITOR, filter, generator regulator battery terminal (Superseded by CAPACITOR 502025).	ea	1

G-9	3320-GPW18935B		WO-A7848 FM-GPW18935B		CAPACITOR, filter, ignition coil (Superseded by CAPACITOR 502025).	ea	1
G-9	3320-GPW18937		WO-A8884 FM-GPW18937		CAPACITOR, filter, ignition switch (Superseded by CAPACITOR 502011).	ea	1
H-4	H004-0502025	502025			CAPACITOR, LH mounting clip, 100 v, d-c, 0.10 MFD, CA-445, 1/2 in. screw hole (filter generator regulator battery terminal and ignition coil).	ea	2
H-1	H101-0178460	178460			SCREW, ext-teeth, lock washer, rd-hd, header-pt, S, cd or zn-pltd, No. 8-32NC-2 x 3/8.	ea	1
H-4	H004-0502022	502022			CAPACITOR, RH mounting, clip, 100 v, d-c, 0.10 MFD, CA-442, 1/2 screw hole (filter starter switch and generator armature).	ea	2
H-1	H101-0178460	178460			SCREW, ext-teeth, lock washer, rd-hd, header-pt, S, cd or zn-pltd, No. 8-32NC-2 x 3/8.	ea	2
H-4	H004-0502011	502011			CAPACITOR, RH, mounting clip, 100 v, d-c, 0.01 MFD, CA-431, 1/2 screw hole (filter ignition switch and generator regulator field terminal).	ea	2
H-1	H101-0178460	178460			SCREW, ext-teeth, lock washer, rd-hd, header-pt, S, cd or zn-pltd, No. 8-32NC-2 x 3/8.	ea	2
G-9	G503-7058924 3320-GPW18937B	7058924	WO-A8883 FM-GPW18937B	06-10	COVER, spark plug, radio suppression shield, assy.	ea	1
G-9	3320-GPW18960		WO-A5980 FM-GPW18960		FILTER, generator regulator field terminal (0.01 MFD) (Superseded by CAPACITOR 502011).	ea	1
H-4	H004-0500301	500301			FILTER, radio suppression, w/COVER, assy.	ea	1
G-9			WO-A5337 FM-GPW18935A WO-A1287 FM-GPW18936A		FILTER, type FL-23, 10 amp, 30 v, d-c (generator regulator) (for 12-volt system).	ea	1
		7713381		06-10	FILTER UNIT, generator ground to armature circuit.	ea	1
		7713384		06-10	FILTER UNIT, generator regulator (mounted on regulator).	ea	1
H-1	H001-5148891	132923		06-10	INSULATOR, generator field terminal (on ignition coil shield).	ea	1
H-1	H101-0426903	426903		06-10	INSULATOR, washer type, fibre 0.194 ID, 0.310 OD, 0.04 thk (regulator post to rivet body) (for 12-volt system).	ea	1
H-1	H001-7025621	120217		06-10	SCREW, mach, rd-hd, S, cd or zn-pltd, No. 10-32NF-2 x 1 (generator field terminal) (on ignition coil shield) (for 12-volt system).	ea	1
H-1	H001-7045491	120385		06-10	NUT, mach screw, hex, S, cd or zn-pltd, No. 10-32NF-3.	ea	2
					WASHER, lock, med, S, cd or zn-pltd, No. 10.	ea	3
					WASHER, plain, US std, S, cd or zn-pltd, No. 10.	ea	2

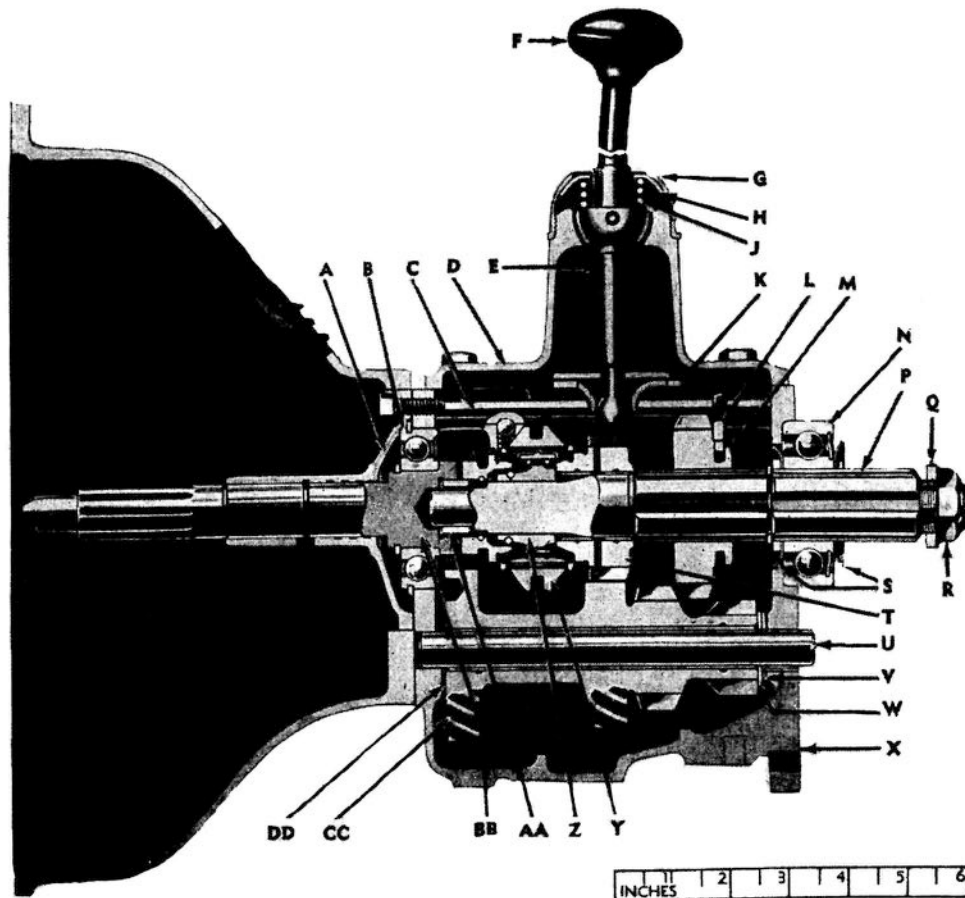
(1) NOTE SYMBOL	(2) STOCK NO.	(3) ORDNANCE PART NO.	(4) MFR'S PART NO.	(5) FIGURE NO.	(6) NOMENCLATURE	(7) UNIT OF MEAS- URE	(8) QUAN- TITY PER UNIT ASSEM- BLY
					GROUP 06—ELECTRICAL SYSTEM—Continued		
					0615—RADIO SUPPRESSION ITEMS—Continued		
	G503-7058927	7058927	-----	06-10	SHIELD, ignition coil radio interference, assy (for 12-volt system).	ea	1
	G503-7058923	7058923	-----	06-10	SHIELD, spark plug, radio interference-----	ea	1
	G503-7058922	7058922	-----	06-10	SHIELD, distributor radio interference, assy (for 12-volt system).	ea	1
G-9	3320-GPW18876B	-----	WO-A11766 FM-GPW18876B	-----	STRAP, bond, No. 1 and No. 2 (hood to cowl)---	ea	2
G-9	3320-GPW18876	-----	WO-A5038 FW-GPW18876	-----	STRAP, bond, No. 1 and No. 2 (cowl to hood left and right).	ea	2
G-9	3320-GPW18858	-----	WO-A5033 FM-GPW18858	-----	STRAP, bond, No. 3 (cylinder head to dash) (Superseded by STRAP WO-A7826).	ea	1
G-9	3320-GPW18840	-----	WO-A7826 FM-GPW18840	-----	STRAP, bond No. 3 (cylinder head to dash)-----	ea	1
G-9	3320-GPW18849	-----	WO-A5035 FM-GPW18849	-----	STRAP, bond, No. 4 (hand brake cable, speedometer cable, head indicator cable to dash).	ea	1
G-9	3320-GPW18853	-----	WO-A5039 FM-GPW18853	-----	STRAP, bond, No. 5 (fuel line to dash)-----	ea	1
G-9	3320-GPW18850	-----	WO-A5040 FM-GPW18850	-----	STRAP, bond, No. 6 (choke and throttle controls, and oil gage to dash).	ea	1
G-9	3320-GPW18857	-----	WO-A5037 FM-GPW18857	-----	STRAP, bond, No. 7 (generator mounting bolt to starter bracket).	ea	1
G-9	3320-GPW18846	-----	WO-A5041 FM-GPW18846	-----	STRAP, bond, No. 8 (generator regulator ground)---	ea	1
G-9	3320-GPW18873	-----	WO-A5034 FM-GPW18873	-----	STRAP, bond, No. 9 (ignition coil to cylinder block).	ea	1
G-9	3320-GPW14303	-----	WO-A1098 FM-GPW14303	06-9	STRAP, bond, No. 10 (engine front plate to frame, right).	ea	1
G-9	3320-GPW18874	-----	WO-A5036 FM-GPW18874	-----	STRAP, bond, No. 11 (engine front plate to frame, left).	ea	1
G-9	3320-GPW18854	-----	WO-A5027 FM-GPW18854	-----	STRAP, bond, No. 12 (exhaust pipe ground connection to frame).	ea	1
G-9	3320-GPW18859	-----	WO-A5032 FM-GPW18859	-----	STRAP, bond No. 13 and No. 14 (radiator left and right, stud to frame).	ea	2

G-9	3320-GPW18872		WO-A5031 FM-GPW18872	STRAP, bond, No. 15 (engine rear support to cross member frame).	ea	1
G-9	3320-GPW18871		WO-A5030 FM-GPW18871	STRAP, bond, No. 16 (transfer case to floor stud)	ea	1
G-9	3320-GPW18852		WO-A1699 FM-GPW18852	STRAP, bond, No. 21 and No. 22 (hood to brush guard, right and left).	ea	2
H-1	H001-4167561	120368		NUT, hex, light s-fin, S, cd or zn-pltd, $\frac{5}{16}$ 24NF-2.	ea	8
	G503-7337558	7337558	WO-A1285	SUPPRESSOR, spark plugs (Superseded by SUPPRESSOR 500321).	ea	5
	G503-7740517	7740517	WO-A6320 FM-GPW18825	SUPPRESSOR, spark plug (Superseded by SUPPRESSOR 500321).	ea	5
H-4	H004-0500321	500321		SUPPRESSOR, spark plug elbow type, 10,000 ohm, Type SPK-VR, or equal.	ea	5
0617-TRAILER ELECTRIC COUPLING						
G-9	G529-7010531	7010531	WO-A6393 FM-GPW5186 WO-A6356 FM-09B14362	BOLT, eye, S, cd, $1\frac{1}{4}$ eye, $\frac{1}{2}$ -13NC-2 x $1\frac{1}{2}$	ea	2
				CABLE, trailer coupling socket to ground	ea	1
H-4	H004-0329000	500705		COVER, electric brake coupling socket	ea	1
H-4	H004-0500495	500495		GASKET, coupling socket, ru, $1\frac{1}{4}$ ID, $4\frac{1}{8}$ OD, $\frac{1}{16}$ thk.	ea	1
H-4	H004-0500703	500703		SOCKET, coupling, 4-contact, w/hinged cover, assy.	ea	1
H-1	H001-4027501	218584		NUT, hex, reg, s-fin, S cd or zn-pltd, $\frac{1}{4}$ -28NF-2.	ea	4
H-1	H001-5025821	213880		SCREW, cap, hex-hd, S, cd or zn-pltd, $\frac{1}{4}$ -28NF-2 x $\frac{3}{4}$ (Willys only).	ea	2
H-1	H001-5025831	213885		SCREW, cap, hex-hd, S, cd or zn-pltd, $\frac{1}{4}$ -28NF-2 x $\frac{7}{8}$ (Ford only).	ea	4
H-1	H001-5025841	213888		SCREW, cap, hex-hd, S, cd or zn-pltd, $\frac{1}{4}$ -28NF-2 x 1 (Willys only).	ea	2
H-1	H001-7025685	115109		WASHER, lock, med, S, phos-ctd, $\frac{1}{4}$ in.	ea	4
H-1	H001-7124701	174916		WASHER, lock, int-ext-teeth, S, cd or zn-pltd, $\frac{1}{4}$ in.	ea	4
H-4	H004-0500497	500497		RING, coupling, socket cover, S, $3\frac{3}{8}$ ID, $4\frac{1}{8}$ OD, 0.083 thk.	ea	1
H-1	H001-7021681	121801		WASHER, lock, int-teeth, reg, S, cd or zn-pltd, No. 10 (terminal screw).	ea	4
G-9	G571-7698344	7698344	WEB-110110 WO-A8087 FM-34753S	WASHER, plain, br, $1\frac{3}{4}$ ID, $\frac{1}{16}$ OD, 18 ga (terminal screw).	ea	4
M-5	G544-0788832	A190691	WEB-110242 WO-A8088	WASHER, terminal, cupped, br, cd-pltd, $1\frac{3}{4}$ ID x $2\frac{3}{8}$ OD x 0.040 thk (cover).	ea	1



RA PD 28857G

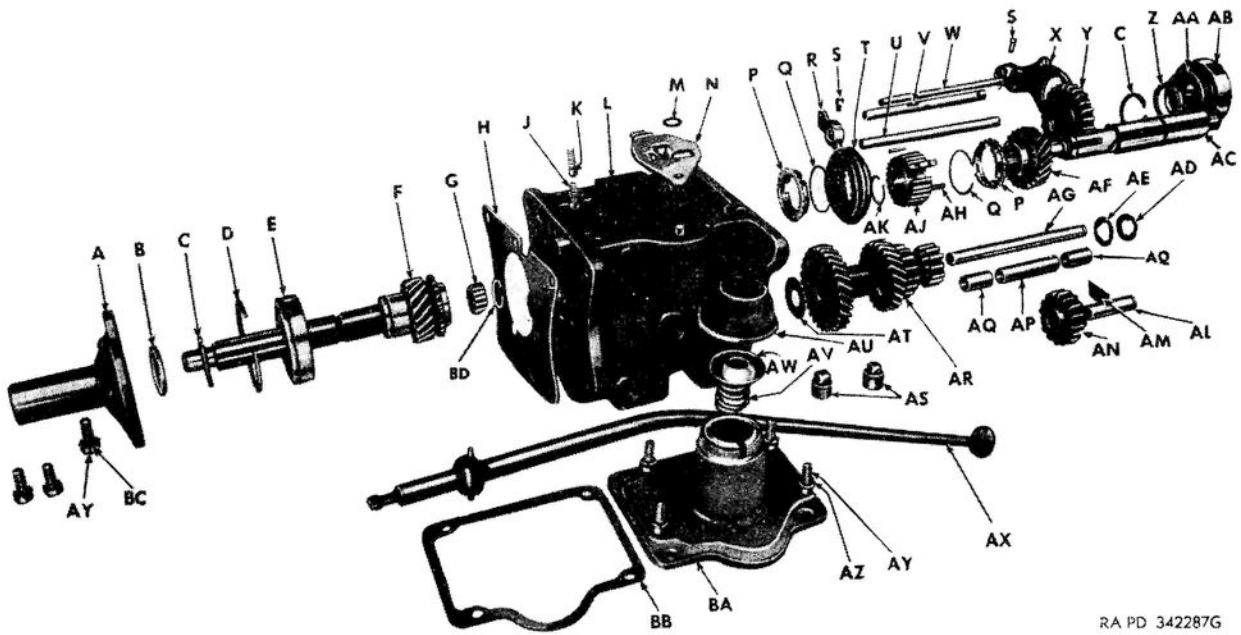
Figure 07-1. Power train—bottom view.



RA PD 305155G

KEY ITEM	PART NO.	GROUP
A—RETAINER	WG-T84J6	0702.1
B—BEARING	700902	0702.1
C—SHAFT	WG-T84J21	0704
D—HOUSING, ASSY	WG-T84A148	0704
E—LEVER, ASSY	WG-AC84J2A	0704
F—KNOB	SP-39Q20	0704
G—CAP	WG-4496K	0704
H—WASHER	WG-4497	0704
J—SPRING	WG-4498K	0704
K—PLATE, ASSY	WG-AT84J25	0704
L—FORK	WG-T84C24A	0704
M—GEAR	WG-T84F12A	0702.2
N—BEARING	700388	0702.2
P—SHAFT	WG-T84H2	0702.2
Q—WASHER	WG-T84J50½A	0802.1
R—NUT	WG-T9-50P	0802.1
S—WASHER	WG-T84H137	0702.2
T—GEAR	WG-T84F11A	0702.2
U—COUNTERSHAFT	WG-T84G3	0702.3
V—WASHER	WG-T84J29	0702.3
W—WASHER	WG-T84-29	0702.3
X—CASE, ASSY	WG-T84J1A	0701
Y—SLEEVE	WG-T84F15	0702.2
Z—HUB	WG-T84J2½	0702.2
AA—ROLLER	BN-C1110Q	0702.2
BB—GEAR	WG-T84J16A	0702.1
CC—GEAR	WG-T84J8	0702.3
DD—WASHER	WG-T84B30A	0702.3

Figure 07-2. Transmission—cross section.



RA PD 342287G

Figure 07-3. Transmission—exploded view.

Key	Key Item	Piece mark	Group	Key	Key Item	Piece mark	Group
A	RETAINER	WG-T84J6	0702. 1	AC	SHAFT	WG-T84H2	0702. 2
B	SEAL	WG-T84J54	0702. 1	AD	WASHER	WG-T84J29	0702. 3
C	RING	WG-T8417	0702. 1	AE	WASHER	WG-T84-29	0702. 3
D	RING	WG-B7070	0702. 1	AF	GEAR	WG-T84F11A	0702. 2
E	BEARING	700902	0702. 1	AG	COUNTERSHAFT	WG-T84G3	0702. 3
F	GEAR	WG-T84J16A	0702. 1	AH	PLATE	WG-T84F13	0702. 2
G	ROLLER	BN-C1110Q	0702. 2	AJ	HUB	WG-T84J2½	0702. 2
H	GASKET	WG-T84D145C	0700	AK	RING	WG-4686	0702. 2
J	SPRING	WG-T84-42	0704	AL	SHAFT	WG-T84G35	0702. 3
K	BALL	169110	0704	AM	PLATE	WG-T84G48	0702. 3
L	CASE, ASSY	WG-T84J1A	0701	AN	GEAR	WG-AT84F10A	0702. 3
M	SPRING	WG-T84-31	0704	AP	SPACER	WG-T84J28	0702. 3
N	PLATE	WG-AT84J25	0704	AQ	BEARING	WG-T84J167	0702. 3
P	RING	WG-T84F14	0702. 2	AR	GEAR	WG-T84J8	0702. 3
Q	RING	WG-4682K	0702. 2	AS	PLUG	WO-5140	0701
R	FORK	WG-T84C23A	0704	AT	WASHER	WG-T84B30A	0702. 3
S	SCREW	WG-4418M	0704	AU	CAP	WG-4496K	0704
T	SLEEVE	WG-T84F15	0702. 2	AV	SPRING	WG-4498K	0704
U	SHAFT	WG-T84J20A	0704	AW	WASHER	WG-4497	0704
V	SHAFT	WG-T84J21	0704	AX	LEVER, ASSY	WG-AC84J2A	0704
W	PIN	WG-T84-22	0704	AY	SCREW	214647	0702. 1
X	FORK	WG-T84C24A	0704	AZ	WASHER	120214	0704
Y	GEAR	WG-T84F12A	0702. 2	BA	HOUSING, ASSY	WG-T84A148	0704
Z	SPACER	WG-4299A137A	0702. 2	BB	GASKET	WG-T84-115	0704
AA	WASHER	WG-T84H137	0702. 2	BC	WASHER	120393	0702. 1
AB	BEARING	700388	0702. 2	BD	RING	WG-T84G25	0702. 2

Figure 07-3. Transmission—exploded view—Continued.

(1) NOTE SYMBOL	(2) STOCK NO.	(3) ORDNANCE PART NO.	(4) MFR'S PART NO.	(5) FIGURE NO.	(6) NOMENCLATURE	(7) UNIT OF MEAS- URE	(8) QUAN- TITY PER UNIT ASSEM- BLY
GROUP 07—TRANSMISSION							
0700—TRANSMISSION ASSEMBLY							
G-9	9410-T84D145C	-----	WG-T84D145C WO-637495 FM-GPW7051B WO-A7596	07-3 01-1	GASKET, transmission to flywheel housing----- TRANSMISSION, assy (Includes clutch release BEARING, CARRIER, SPRING, LEVER, and CABLE)	ea ea	1 1 1
G-9	9410-AS2T84J	-----	WG-AS2T84J WO-A1145 FM-GPW7000 FM-GPW7000B WO-630101 FM-355597S	07-1	TRANSMISSION, w/gear shift LEVER, assy----	ea	1
M-5	3320-355597S	-----	WO-630101 FM-355597S	-----	BOLT, hex-hd, S, $\frac{3}{8}$ -24NF-2 x 2 $\frac{1}{2}$ -----	ea	2
H-1	H001-4027541	225831	-----	-----	NUT, hex, reg, s-fin, S, cd or zn-pltd, $\frac{3}{8}$ - 24NF-2	ea	8
H-1	H101-0215544	215544	-----	-----	SCREW, cap, hex-hd, S, cd or zn-pltd, $\frac{3}{8}$ - 24NF-2 x 1 $\frac{1}{8}$	ea	4
H-1	H101-0215550	215550	-----	-----	SCREW, cap, hex-hd, S, cd or zn-pltd, $\frac{3}{8}$ - 24NF-2 x 1 $\frac{1}{8}$.	ea	2
H-1	H001-7025745	115093	-----	-----	WASHER, lock, med, S, phos-ctd, $\frac{3}{8}$ in.-----	ea	8
0701—TRANSMISSION CASE AND COVERS							
G-9	9410-AT84J1A	-----	WG-T84J1A WO-A1148 FM-GPW7005 FM-GPW7005A WO-630103 FM-GPW7518	07-2, 3	CASE, assy (Includes oil retaining CUP and coun- ter-shaft washer PIN).	ea	1
G-9	3 320-GPW7518	-----	WO-630103 FM-GPW7518	-----	COVER, inspection-----	ea	1
H-1	H001-5025501	214001	-----	-----	SCREW, cap, hex-hd, S, cd or zn-pltd, $\frac{1}{4}$ - 20NC-2 x 1 $\frac{1}{2}$.	ea	2
H-1	H001-7025685	115109	-----	-----	WASHER, lock, med, S, phos-ctd, $\frac{1}{4}$ in.-----	ea	2
G-9	9410-4684	-----	WG-4684 WO-637503 FM-GPW7056	-----	CUP, oil retaining, second and high speed shifter shaft.	ea	1
H-6	H006-0283571	103868	WO-5140 FM 353064S	07-3	PLUG, pipe, sq-hd, CI, $\frac{1}{2}$ in. (transmission filling and drain openings).	ea	2

					0702.1—TRANSMISSION INPUT DRIVE GEAR, BEARINGS, AND RETAINER		
H-12	H012-1343035	700902	ND-47507	07-2, 3	BEARING, ball, No. 35BC02GP (Radial, SR, non-loading groove, light, snap ring, 1 shield, 1.378 bore, 2.8346 OD, 0.6693 width) (main drive gear).	ea	1
G-9	9410-T84J16A	-----	WG-T84J16A WO-A5554 FM-GPW7017	02-1 07-2, 3	BEARING, pilot, bushing type (see group 0201) --	ea	1
G-9	3320-GPW7015	-----	WG-AT84J15A WO-A5553 FM-GPW7015	-----	GEAR, drive, main, w/BEARINGS, assy-----	ea	1
G-9	9410-T84J6	-----	WG-T84J6 WO-640017 FM-GPW7050	07-2, 3	RETAINER, main drive gear bearing-----	ea	1
H-1	H101-0214647	214647	-----	07-3	SCREW, cap, hex-hd, S, cd or zn-pltd, $\frac{5}{16}$ -18NC-2 x $\frac{3}{8}$.	ea	3
H-1	H001-7043711	120393	-----	07-3	WASHER, plain, SAE std, S, cd or zn-pltd, $\frac{5}{16}$ in.	ea	3
G-9	G503-5296576	A296576	WG-B7070 WO-635846 FM-B7070	07-3	RING, snap, main drive gear bearing (2 $\frac{1}{16}$ ID) --	ea	1
G-9	G154-0279846	A307335	WG-T8417 WO-635844 FM-GPW7064	07-3	RING, snap, main drive gear oil seal (1 $\frac{1}{2}$ ID) ----	ea	1
G-9	G154-0382810	A308198	WG-T84J54 WO-640018 FM-GPW7052	07-3	SEAL, oil, main drive gear bearing retainer-----	ea	1
					0702.2—TRANSMISSION MAIN SHAFT, GEARS, BEARINGS, AND SYNCHRONIZER		
H-12	H012-1314035	700388	MRC-307SF	07-2, 3 08-1	BEARING, ball, No. 35BC03P (Radial SR, non-loading groove, medium, 1 shield, 1.378 bore, 3.1496 OD, 0.8260 width) (main shaft, rear).	ea	1
G-9	9410-T84C19	-----	WG-T84C19 WO-635820 WO-640006 FM-GPW7104 FM-GPW7104A	-----	BEARING, bushing type, main shaft second speed gear.	ea	1
G-9	9410-T84F11A	-----	WG-T84F11A WO-638798 FM-GPW7102	07-2, 3	GEAR, second speed, w/BUSHING, assy (22 T.. 2.090 OD).	ea	1

(1) NOTE SYMBOL	(2) STOCK NO.	(3) ORDNANCE PART NO.	(4) MFR'S PART NO.	(5) FIGURE NO.	(6) NOMENCLATURE	(7) UNIT OF MEAS- URE	(8) QUAN- TITY PER UNIT ASSEM- BLY
GROUP 07—TRANSMISSION—Continued							
0702.2—TRANSMISSION MAIN SHAFT, GEARS, BEARINGS, AND SYNCHRONIZER—Continued							
G-9	9410-T84F12A	-----	WG-T84F12A WO-636879 FM-GPW7100	07-2, 3	GEAR, sliding, low and reverse speed (25 T., 3.265 OD, 1¼ thk).	ea	1
G-9	G179-6266177	B266177	WG-T84J2½ WO-A6319 FM-GPW7105	07-2, 3	HUB, second and high speed synchronizer (pre- viously known as GEAR).	ea	1
G-9	G503-5307421	A307421	WG-T84F13 WO-637832 FM-GPW7116	07-3	PLATE, shifting, second and high speed synchron- izer.	ea	3
G-9	G154-0369905	B266117	WG-T84F14 WO-637834 FM-GPW7107	07-3	RING, blocking, second and high speed synchron- izer.	ea	2
G-9	G154-0367641	A307502	WG-T84G25 WO-639423 FM-GPW7063	07-3	RING, snap, main shaft pilot rollers-----	ea	1
G-9	G154-0369909	A307456	WG-4682K WO-637831 FM-GPW7109	07-3	RING, snap, second and high speed synchronizer (previously known as SPRING).	ea	2
G-9	9410-4686	-----	WG-4686 WO-637835 FM-GPW7059	07-3	RING, snap, second and high speed synchronizer hub (1½ ID).	ea	1
G-9	G154-0118006	A307501	BN-C1110Q WG-T84G26 WO-639422 FM-GPW7120	07-2, 3	ROLLER, S, spherical end type, 0.1875 diam x 0.527 lgh (main shaft pilot bearing) (In main drive gear).	ea	13
G-9	9410-T84H2	-----	WG-T84H2 WO-A519 FM-GPW7061	07-2, 3	SHAFT, main-----	ea	1
G-9	9410-AT84H2	-----	WG-AT84H2 WO-A518	-----	SHAFT, main, w/GEARS, assy-----	ea	1
G-9	9410-1AT84H2	-----	WG-1AT84H2 WO-A6317 FM-GPW7060	-----	SHAFT, main, w/GEARS and blocking RING, assy.	ea	1

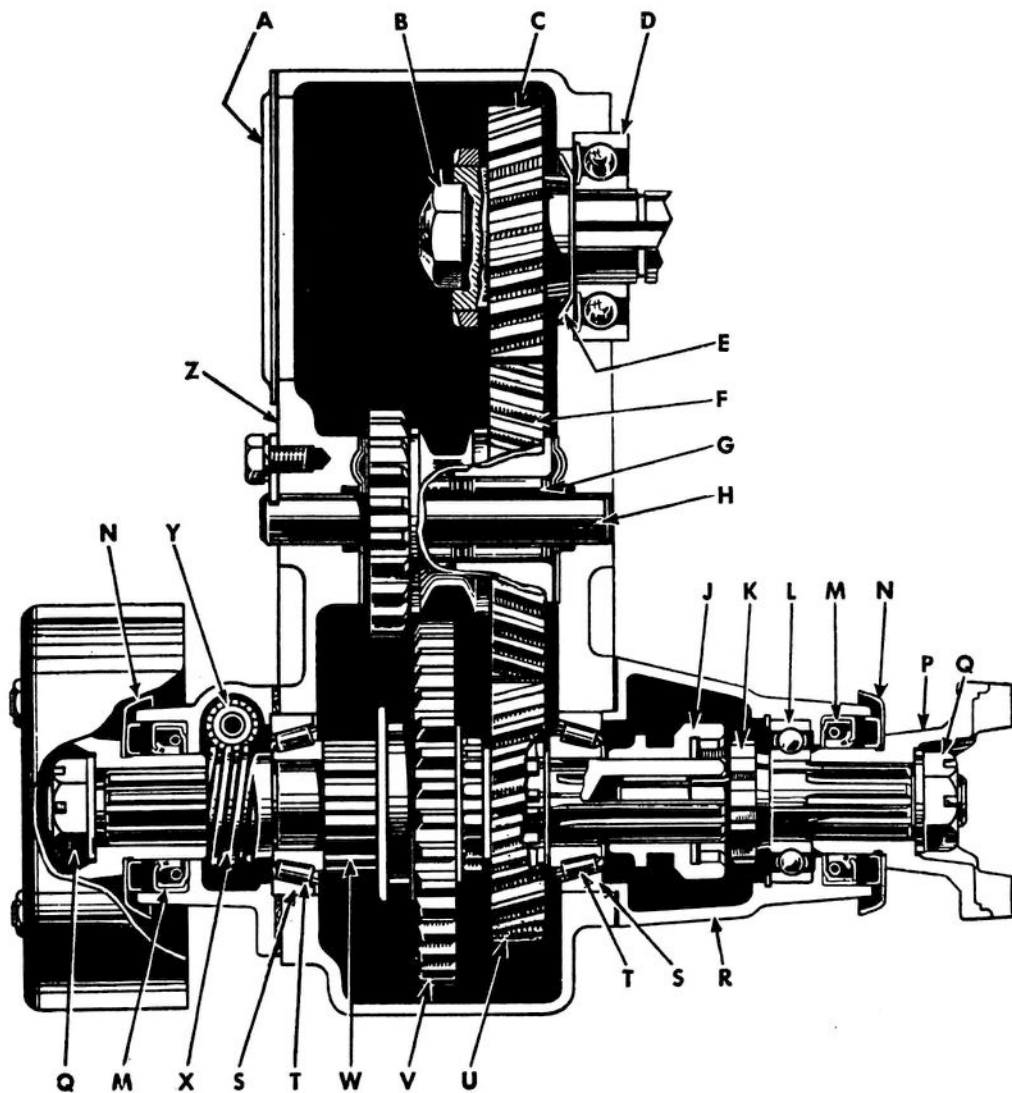
G-9	9410-4229A138A		WG-4229A138A WO-A15428 FM-GPW7082		SEAL, oil, main shaft ¹	ea	1
G-9	9410-T84F15		WG-T84F15 WO-637833 FM-GPW7106	07-2, 3	SLEEVE, second and high speed synchronizer	ea	1
G-9	9410-T84H137-12		WG-T84H137-12 WO-A738 FM-GPW7062		SPACER, rear bearing (Superseded by SPACER WG-4299A137A).	ea	1
G-9	9410-4299A137A		WG-4299A137A WO-A15427 FM-GPW7062B	07-3	SPACER, rear bearing ¹	ea	1
G-9	9410-1AT84J2-1-2		WG-1AT84J2½ WO-A6318 FM-GPW7124		SYNCHRONIZER, second and high speed, w/blocking RING, assy.	ea	1
G-9	9410-T84H137		WG-T84H137 WO-A410 FM-GPW7080	07-2, 3 08-1, 2	WASHER, oil retaining, main shaft	ea	2
0702.3-TRANSMISSION COUNTERSHAFT, IDLER SHAFT, GEARS, AND SPACERS							
G-9	G154-0128027	A307671	WG-T84J167 WO-A878 FM-GPW7121	07-3	BEARING, bushing type, countershaft cluster gear.	ea	2
G-9	G154-0128020	A307419	WG-T8485A WO-635804 FM-GPW7143 FM-GPW7143A		BEARING, bushing type, reverse idler gear	ea	1
G-9	G154-0140061	A307504	WG-T84G3 WO-638948 FM-GPW7111	07-2, 3	COUNTERSHAFT	ea	1
G-9	9410-T84J8		WG-T84J8 WO-A8977 FM-GPW7113	07-2, 3	GEAR, drive cluster	ea	1
G-9	9410-AT84J8		WG-AT84J8 WO-A739		GEAR, drive, cluster, w/BEARINGS and SPACER, assy.	ea	1
G-9	9410-AT84F10A		WG-AT84F10A WO-636882 FM-GPW7141	07-3	GEAR, reverse idler, w/BEARING, assy (16 T., 2.167 OD, 0.996 thk).	ea	1
G-9	9410-T84J31		WG-T84J31 WO-A524 FM-357417S		PIN, countershaft washer (special, S, ⅜ x ⅝)	ea	1

¹ Used only in Transmission with raised "H" on case near filler hole.

(1) NOTE SYMBOL	(2) STOCK NO.	(3) ORDNANCE PART NO.	(4) MFR'S PART NO.	(5) FIGURE NO.	(6) NOMENCLATURE	(7) UNIT OF MEAS- URE	(8) QUAN- TITY PER UNIT ASSEM- BLY
GROUP 07—TRANSMISSION—Continued							
0702.3—TRANSMISSION COUNTERSHAFT, IDLER SHAFT, GEARS, AND SPACERS—Continued							
G-9	G154-0340207	A307505	WG-T84G48 WO-638949 FM-GPW7155	07-3	PLATE, lock, countershaft and idler shaft.....	ea	1
G-9	G154-0384602	A307503	WG-T84G35 WO-638952 FM-GPW7140	07-3	SHAFT, reverse idler gear.....	ea	1
G-9	G503-7743738	7743738	WG-T84J28 WO-A880 FM-GPW7115	07-3	SPACER, countershaft bushings.....	ea	1
G-9	G154-0443031	A307333	WG-T84B30A WO-635812 FM-GPW7119	07-2, 3	WASHER, thrust, countershaft, front.....	ea	1
G-9	9410-T84-29	-----	WG-T84-29 WO-635811 FM ¹ -GPW7129 FM-GPW7129A	07-2, 3	WASHER, thrust, countershaft, rear (bz).....	ea	1
G-9	G154-0443057	A308194	WG-T84J29 WO-A879 FM-GPW7126	07-2, 3	WASHER, thrust, countershaft, rear (S).....	ea	1
0704—TRANSMISSION GEAR SHIFT LEVER, SHAFTS, AND FORKS							
G-9	9410-C8-2-1-2	-----	WG-C8-2½ WO-A1381 FM-GPW7217	-----	BALL, fulcrum, gear shift lever.....	ea	1
H-1	H102-0169110	169110	WO-635838 FM-35381S	07-3	BALL, S, grade B, ⅙ in. (poppet, gear shifter shaft).	ea	2
G-9	9410-4496K	-----	WG-4496K WO-A1379 FM-BB7220	07-2, 3	CAP, gear shift lever housing.....	ea	1
G-9	-----	-----	WO-3783 FM-GPW1111286A3	-----	COVER, gear shift lever housing (rubber).....	ea	1

G-9	9410-T84C24A	-----	WG-T84C24A WO-636197 FM-GPW7231	07-2, 3	FORK, gear shifter, low and reverse speed-----	ea	1
G-9	9410-T84C23A	-----	WG-T84C23A WO-636196 FM-GPW7230	07-3	FORK, gear shifter, second and high speed-----	ea	1
G-9	G503-7002601	7002601	WG-4418M WO-636200 FM-GPW7245	07-3	SCREW, locking-----	ea	2
G-9	9410-T84-115	-----	WG-T84-115 WO-635861 FM-GPW7223	07-3	GASKET, gear shift lever housing-----	ea	1
G-9	G503-7741398	7741398	WG-T84A148 WO-635857 FM-GPW7204	07-2, 3	HOUSING, gear shift lever, assy (Includes PLATE and RIVET).	ea	1
H-1	H101-0214647	214647	-----	-----	SCREW, cap, hex-hd, S, cd or zn-pltd, $\frac{5}{16}$ - 18NC-2 x $\frac{7}{8}$.	ea	4
H-1	H001-7025711	120214	-----	07-3	WASHER, lock, med, S, cd or zn-pltd, $\frac{5}{16}$ in---	ea	4
G-9	8080-39Q20	-----	SP-39Q20 WO-A971 FM-GPW7213	07-2	KNOB, gear shift lever (previously known as BALL).	ea	1
G-9	9410-AC84J2A	-----	WG-AC84J2A WO-A1380 FM-GPW7210 FM-GPW7201A	01-1 07-2, 3 18-2	LEVER, gear shift, assy-----	ea	1
G-9	9410-4611	-----	WG-4611 WO-635862 FM-GPW7207	-----	PACKING, gear shift lever housing-----	ea	1
G-9	9410-T84-30	-----	WG-T84-30 WO-635840 FM-357418S	-----	PIN, fulcrum, gear shift lever guide plate (special, S, $\frac{3}{8}$ x $\frac{3}{4}$).	ea	1
G-9	9410-C84B12A	-----	WG-C84B12A WO-A1382 FM-GPW7221	-----	PIN, gear shift lever fulcrum ball-----	ea	1
G-9	9410-T84-22	-----	WG-T84-22 WO-635836 FM-GPW7206	07-3	PIN, guide, gear shift forks-----	ea	1
G-9	9410-T84B32	-----	WG-T84B32 WO-635859 FM-GPW7214	-----	PLATE, guide, gear shift lever (Superseded by PLATE WG-T84B25).	ea	1
G-9	9410-T84B25	-----	WG-T84B25 WO-A7261 WO-635841 FM-GPW7216	-----	PLATE, guide, gear shift lever (Superseded by PLATE WG-AT84B25).	ea	1

(1) NOTE SYMBOL	(2) STOCK NO.	(3) ORDNANCE PART NO.	(4) MFR'S PART NO.	(5) FIGURE NO.	(6) NOMENCLATURE	(7) UNIT OF MEAS- URE	(8) QUAN- TITY PER UNIT ASSEM- BLY
GROUP 07—TRANSMISSION—Continued							
0704—TRANSMISSION GEAR SHIFT LEVER, SHAFTS, AND FORKS—Continued							
G-9	9410-AT84J25	-----	WG-AT84J25 WO-A7260 FM-GPW7211B	07-2, 3	PLATE, guide, gear shift lever, assy-----	ea	1
H-1	H001-0925078	112619	-----	-----	RIVET, ck-hd, S, $\frac{3}{16}$ x $\frac{1}{16}$ -----	ea	2
G-9	9410-T84J21A	-----	WG-T84J21 WO-A1156 FM-GPW7240	07-2, 3	SHAFT, shifter, low and reverse speed gears (previously known as RAIL).	ea	1
G-9	9410-T84J20A	-----	WG-T84J20A WO-A1155 FM-GPW7241	07-3	SHAFT, shifter, second and high speed gears (previously known as RAIL).	ea	1
G-9	9410-T84-31	-----	WG-T84-31 WO-635839 FM-GPW7208	07-3	SPRING, gear shift lever guide plate-----	ea	1
G-9	9410-T84-42	-----	WG-T84-42 WO-635837 MF-GPW7234	07-3	SPRING, gear shift shaft poppet ball-----	ea	2
G-9	9410-4498K	-----	WG-4498K WO-392328 FM-GPW7227	07-2, 3	SPRING, support, gear shift lever-----	ea	1
G-9	9410-4497	-----	WG-4497 WO-635863 FM-BB7228	07-2, 3	WASHER, gear shift lever spring seat-----	ea	1



KEY ITEM	PART NO.	GROUP
A—COVER	SP-18-267-4	0801
B—NUT	WG-T9-50P	0802.1
C—GEAR	SP-18-8-7	0802.1
D—BEARING	700388	0702.2
E—WASHER	WG-T84H137	0702.2
F—GEAR	SP-18-5-1	0802.2
G—BEARING	708218	0802.2
H—SHAFT	SP-18-187-1	0802.2
J—GEAR	SP-18-466-1	0802.3
K—SHAFT	SP-18-362-3	0802.3
L—BEARING	700079	0802.3
M—SEAL	500068	0801
N—SHIELD	SP-5962X	0802.3
P—YOKE	SP-K2-4-88X	0900
Q—NUT	SP-124 J	0802.3
R—HOUSING	SP-18-19-8	0801
S—CUP	706821	0802.3
T—CONE	705399	0802.3
U—GEAR	SP-18-8-1	0802.3
V—GEAR	SP-18-8-2	0802.3
W—SHAFT	SP-5866X	0802.3
X—GEAR	SP-18-452-2	0802.5
Y—GEAR	SP-18-453-3	0802.5
Z—CASE	SP-18-15-9	0801

RA PD 342249G

Figure 08-1. Transfer—cross section.

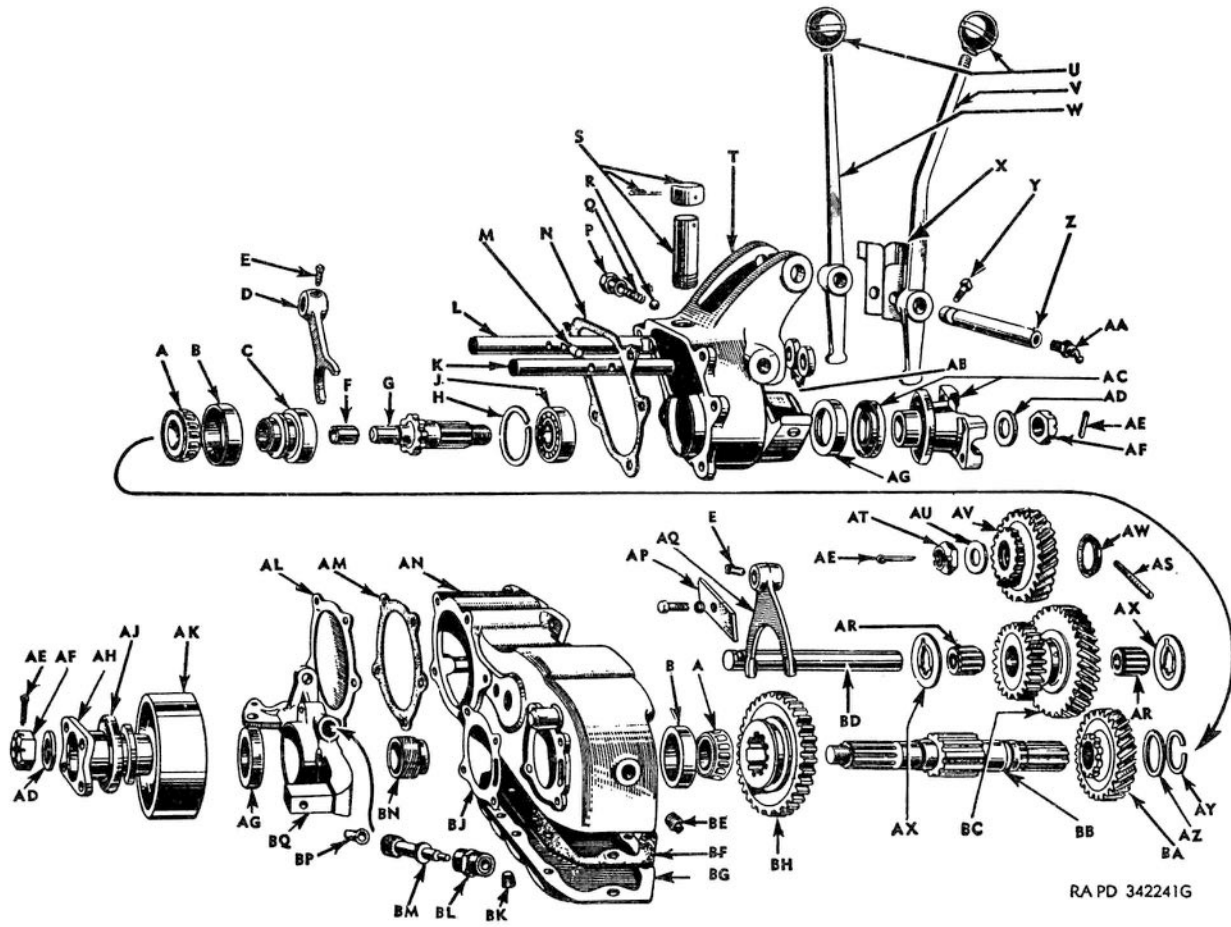


Figure 08-2. Transfer—exploded view.

Key Item	Part No.	Group	Key Item	Part No.	Group
A—CONE	705399	0802. 3	AJ—SHIELD	SP-5962X	0802. 3
B—CUP	706821	0802. 3	AK—DRUM	SP-20B62	1201. 1
C—GEAR	SP-18-466-1	0802. 3	AL—COVER	SP-18-267-4	0801
D—FORK	SP-18-66-7	0804	AM—GASKET	SP-18-324-2	0801
E—SCREW	SP-7450	0804	AN—CASE	SP-18-15-9	0801
F—BEARING	SP-18-24-1	0802. 3	AP—PLATE	SP-31-246-2	0802. 2
G—SHAFT	SP-18-362-3	0802. 3	AQ—FORK	SP-18-66-1	0804
H—RING	SP-22-381-19	0802. 3	AR—BEARING	708218	0802. 2
J—BEARING	700079	0802. 3	AS—PLUNGER	WG-T84J86A	0804
K—SHAFT	SP-18-67-5	0804	AT—NUT	WG-T9-50P	0802. 1
L—SHAFT	SP-18-67-2	0804	AU—WASHER	WG-T84J50½A	0802. 1
M—INTERLOCK	SP-18-12-1	0804	AV—GEAR	SP-18-8-7	0802. 1
N—GASKET	SP-18-223-2	0801	AW—WASHER	WG-T84H137	0702. 2
P—PLUG	SP-854D	0804	AX—WASHER	SP-690W	0802. 2
Q—SPRING	SP-22-72-5	0804	AY—RING	SP-18-381-2	0802. 3
R—BALL	104920	0804	AZ—WASHER	SP-710W	0802. 3
S—VENT, ASSY	SP-5951X	0806. 5	BA—GEAR	SP-18-8-1	0802. 3
T—HOUSING	SP-18-19-8	0801	BB—SHAFT	SP-5866X	0802. 3
U—KNOB	SP-39Q20	0804	BC—GEAR	SP-18-5-1	0802. 2
V—LEVER	SP-25Q1055	0804	BD—SHAFT	SP-18-187-1	0802. 2
W—LEVER	SP-25Q1056	0804	BE—PLUG	103868	0801
X—SPRING	SP-97Q13	0804	BF—GASKET	SP-18-155-2	0801
Y—SCREW	SP-433D	0804	BG—COVER	SP-18-16-3	0801
Z—PIN	SP-363SP	0804	BH—GEAR	SP-18-8-2	0802. 3
AA—FITTING	45-F-406-150	0804	BJ—SHIM	SP-18-228-7, 8, 9	0801
AB—SEAL	500007	0804	BK—PLUG	112715	0801
AC—YOKE, ASSY	SP-K2-4-88X	0900	BL—SLEEVE	SP-18-454-2	0802. 5
AD—WASHER	SP-S1056	0802. 3	BM—GEAR	SP-18-453-3	0802. 5
AE—PIN	103388	0802. 3	BN—GEAR	SP-18-452-2	0802. 5
AF—NUT	SP-124J	0802. 3	BP—BEARING	SP-475-2	0802. 5
AG—SEAL	500068	0801	BQ—CAP, ASSY	SP-6452X	0801
AH—FLANGE	SP-K2-1-28	0802. 3			

Figure 08-2. Transfer—exploded view—Continued

(1) NOTE SYMBOL	(2) STOCK NO.	(3) ORDNANCE PART NO.	(4) MFR'S PART NO.	(5) FIGURE NO.	(6) NOMENCLATURE	(7) UNIT OF MEAS- URE	(8) QUAN- TITY PER UNIT ASSEM- BLY
GROUP 08—TRANSFER							
0800—TRANSFER ASSEMBLY							
G-9	3320-GPW5084	-----	WO-A6740 FM-GPW5084	15-1	CUP, retaining, case support insulator (Also listed in sub-group 1501).	ea	1
G-9	3320-746038	-----	FM-352101S WO-634758	-----	RIVET, pointed, S, $\frac{2}{16}$ x $\frac{3}{4}$ -----	ea	1
G-9	3320-GPW7781A	-----	FM-74-6038 FM-74-6038A WO-634759	-----	INSULATOR, case support-----	ea	1
G-9	3320-GPW7781A	-----	FM-GPW7781A FM-GPW7704	01-2	SNUBBER, case support insulator-----	ea	1
G-9	G503-7744273	7744273	FM-GPW7704B	-----	TRANSFER, assy (Used w/external contracting hand brakes).	ea	1
G-9	G503-0131675	-----	WO-A1195 FM-GPW7700	01-1	TRANSFER, assy (Used w/internal expanding hand brakes).	ea	1
G-9	3320-GPW7700B	-----	WO-A8859 FM-GPW7700B	07-1	TRANSFER, w/BRAKES, assy (Used w/internal expanding hand brakes).	ea	1
G-9	3320-355741S	-----	WO-A147 FM-355741S	-----	BOLT, special, hex-hd, S, $\frac{1}{2}$ -20NC x 3-----	ea	1
H-1	H001-4167681	120371	-----	-----	NUT, hex, light, s-fin, S, cd or zn-pltd, $\frac{1}{2}$ -20NF-2.	ea	1
H-1	H101-0214388	214388	-----	-----	SCREW, cap, hex-hd, S, cd or zn-pltd, $\frac{3}{8}$ -16NC-2 x $1\frac{1}{2}$.	ea	5
H-1	H001-7025741	120382	-----	-----	WASHER, lock, med, S, cd or zn-pltd, $\frac{3}{8}$ in.	ea	5
H-1	H001-7025801	120384	-----	-----	WASHER, lock, med, S, cd or zn-pltd, $\frac{1}{2}$ in.	ea	1
G-9	G503-7324850	7324850	WO-634762 FM-356524S	-----	WASHER, plain, S, $\frac{2}{16}$ ID x $1\frac{1}{2}$ OD x $\frac{1}{16}$ thk.	ea	1
0801—TRANSFER CASE, COVERS, GASKETS, AND PLUGS							
G-9	8080-18-19-18	-----	SP-18-19-18 WO-A9077 FM-GPW7769	-----	CAP, output shaft rear bearing (Used w/external contracting brakes).	ea	1
G-9	3320-GPW7768	-----	SP-6452X WO-A1507 FM-GPW7768	08-2 12-6	CAP, output shaft rear bearing, w/BUSHING, assy (Used w/external contracting brakes).	ea	1

G-9	8080-634D		SP-634D WO-A1137 FM-355533S		BOLT, hex-hd, dld f/lkg-wire, S, $\frac{3}{8}$ -16NC-3 x 2.	ea	3
G-9	G503-5214870	A214870	SP-122D WO-A1136 FM-355554S		SCREW, cap, hex-hd, dld f/lkg-wire, S, $\frac{3}{8}$ -16NC-3 x 1.	ea	1
G-9	G503-5214819	A214819	SP-477W WO-A1135 FM-356205S WO-A9331		WASHER, plain, S, $\frac{23}{64}$ ID x $\frac{1}{2}$ OD x $\frac{1}{32}$ thk.	ea	4
G-9	3320-GPW7768B		SP-18-19-28 WO-A9330 FM-GPW 8B	12-2	WIRE, locking----- CAP, output shaft rear bearing, w/BUSHING, assy (Used w/internal expanding brakes).	lb ea	‡ 1
G-9	3320-350280S		WO-A9336 FM-350280S		BOLT, hex-hd, dld f/lkg-wire, S, $\frac{3}{8}$ -16NC-3 x 1.	ea	1
G-9	3320-350281S		WO-A9337 FM-350281S	12-2	BOLT, hex-hd, dkd f/lkg-wire, S, $\frac{3}{8}$ -16NC-3 x $2\frac{1}{4}$.	ea	1
G-9	3320-350282S		WO-9334 FM-350282S		BOLT, hex-hd, dld f/lkg-wire, S, $\frac{3}{8}$ -16NC-3 x $2\frac{1}{2}$.	ea	2
G-9	G503-5214819	A214819	SP-477W WO-A1135 FM-356205S WO-A9331		WASHER, plain, S, $\frac{23}{64}$ ID x $\frac{1}{2}$ OD x $\frac{1}{32}$ thk.	ea	4
G-9	8080-18-15-9		SP-18-15-9 WO-A1503 FM-GPW7705	08-1, 2	WIRE, locking----- CASE, transfer-----	lb ea	‡ 1
G-9	8080-18-16-3		SP-18-16-3 WO-A953 FM-GP7708	08-2	COVER, case, bottom-----	ea	1
H-1	H101-0214626	214626			SCREW, cap, hex-hd, S, cd or zn-pltd, $\frac{5}{16}$ -18NC-2 x $\frac{3}{4}$.	ea	10
H-1	H001-7025711	120214			WASHER, lock, med, S, cd or zn-pltd, $\frac{5}{16}$ in.	ea	10
G-9	8080-18-267-4		SP-18-267-4 WO-A1508 FM-GPW7706	08-1, 2	COVER, case, rear-----	ea	1
H-1	H101-0214686	214686			SCREW, cap, hex-hd, S, cd or zn-pltd, $\frac{3}{8}$ -16NC-2 x $\frac{3}{4}$.	ea	5
H-1	H001-7025741	120382			WASHER, lock, med, S, cd or zn-pltd, $\frac{3}{8}$ in.	ea	5
G-9	8080-18-155-2		SP-18-155-2 WO-A954 FM-GP7709	08-2	GASKET, bottom cover-----	ea	1
G-9	8080-18-223-2		SP-18-223-2 WO-A957 FM-GPW7773	08-2	GASKET, front housing-----	ea	1
G-9	8080-18-324-2		SP-18-324-2 WO-A1509 FM-GPW7707	08-2	GASKET, rear cover-----	ea	1

(1) NOTE SYMBOL	(2) STOCK NO.	(3) ORDNANCE PART NO.	(4) MFR'S PART NO.	(5) FIGURE NO.	(6) NOMENCLATURE	(7) UNIT OF MEAS- URE	(8) QUAN- TITY PER UNIT ASSEM- BLY
GROUP 08—TRANSFER—Continued							
0801—TRANSFER CASE, COVERS, GASKETS, AND PLUGS— Continued							
G-9	8080-18 352-5	-----	SP-18-352-5 WO-A1435 FM-GPW7756	-----	GASKET, transfer to transmission -----	ea	1
G-9	8080-18-19-8	-----	SP-18-19-8 WO-A956 FM-GPW7774	08-1, 2	HOUSING, front-----	ea	1
G-9	G503-5214870	A214870	SP-122D WO-A1136 FM-355554S	-----	SCREW, cap, hex-hd, dld f/lkg-wire, S, 3/8- 16NC-3 x 1.	ea	5
G-9	G503-5214819	A214819	SP-477 W WO-A1135 FM-356205S WO-A9331	-----	WASHER, plain, S, 2/4 ID x 3/4 OD x 1/2 thk.	ea	5
H-6	H006-0283760	112715	-----	08-2	WIRE, locking-----	lb	‡
H-6	H006-0283571	103868	-----	08-2	PLUG, pipe, countersunk, MI 1/2 in. (transfer drain).	ea	1
H-13	H013-0500068	500068	-----	08-1, 2	PLUG, pipe, sq-hd, C. I., 1/2 in. (transfer oil filler) - SEAL, oil, type ML, 1 1/16 x 2.504 x 1/2 (transfer case output shaft).	ea	2
G-9	8080-18-228-7	-----	SP-18-228-7 WO-A982 FM-GP7782A	08-2	SHIM, output shaft rear bearing cap: (0.003 thk)-----	-----	‡
G-9	8080-18-228-8	-----	SP-18-228-8 WO-A983 FM-GP7782B	08-2	(0.010 thk)-----	-----	‡
G-9	8080-18-228-9	-----	SP-18-228-9 WO-A984 FM-GP7782C	08-2	(0.031 thk)-----	-----	‡
0802.1—TRANSFER INPUT GEAR							
G-9	8080-18-8-7	-----	SP-18-8-7 WO-A1510 FM-GP7722	08-1, 2	GEAR, input (27 T., 4.104 OD) (on transmission mainshaft).	ea	1

G-9	G503-7743652	7743652	WO-A520 FM-356134S18 WG-T9-50P	07-2 08-1, 2	NUT, special, hex, S, $\frac{7}{8}$ -16NC-2-----	ea	1
H-1	H001-0811055	103388			PIN, cotter, split, S, $\frac{1}{8}$ x $1\frac{1}{4}$ -----	ea	1
G-9	9410-T84J50 $\frac{1}{2}$ A		WG-T84J50 $\frac{1}{2}$ A WO-A1410 FM-356519S FM-356560S	07-2 08-2	WASHER, plain, $2\frac{1}{2}$ ID x $1\frac{1}{16}$ OD x $\frac{1}{2}$ thk--	ea	1
0802.2--TRANSFER INTERMEDIATE SHAFT AND GEAR							
H-12	H012-0708218	708218	HY-94322	08-1, 2	BEARING, roller, journal, No. HY94322 (solid rollers, no races, type 2, 0.750 shaft diam, 1.250 housing bore, 1.375 operating space) (intermediate shaft).	ea	2
G-9	8080-18-5-1		SP-18-5-1 WO-A999 FM-GP7742	08-1, 2	GEAR, intermediate shaft (23 and 33 T., 4.963 OD large gear).	ea	1
G-9	8080-31-246-2		SP-31-246-2 WO-A1001 FM-GP7767	08-2	PLATE, lock, intermediate shaft-----	ea	1
H-1	H101-0214681	214681			SCREW, cap, hex-hd, S, cd or zn-pltd, $\frac{3}{8}$ -16NC-2 x $\frac{3}{8}$.	ea	1
H-1	H001-7025741	120382			WASHER, lock, med, S, cd or zn-pltd, $\frac{3}{8}$ in--	ea	1
G-9	8080-18-187-1		SP-18-187-1 WO-A998 FM-GP7743	08-1, 2	SHAFT, intermediate-----	ea	1
G-9	8080-690W		SP-690W WO-A1000 FM-GP7744	08-2	WASHER, thrust, intermediate shaft gear-----	ea	2
0802.3--TRANSFER OUTPUT SHAFT AND GEARS							
H-12	H012-1303030	700079	ND-3206	08-1, 2	BEARING, ball, No. 30BC02 (radial, SR, non-loading groove, light, 1.1811 bore, 2.4409 OD, 0.6299 width) (output clutch gear shaft).	ea	1
G-9	8080-1824-1		SP-18-24-1 WO A987 FM-GP7777 FM-GP7777A	08-2	BEARING, bushing type, pilot, output clutch gear shaft.	ea	1
H-12	H012-6136260	705399	TIM-14131 WO-51575-V FM-GP7723	08-1, 2	CONE, tapered, roller bearing, No. TIM-14131 (Includes rollers and cage, type TS, SR, 1.3125 bore, 0.771 width) (output shaft bearing).	ea	2
H-12	H012-6217320	706821	TIM-14276 WO-52883 FM-01Y-1202	08-1, 2	CUP, tapered, roller bearing, No. TIM-14276 (SR, type TS, 2.717 OD, 0.625 width) (output shaft bearing).	ea	2
G-9	8080-K2-1-28		SP-K2-1-28 WO-A996 FM-GP4865	08-2	FLANGE, companion, rear (Used with external contracting brakes).	ea	1

(1) NOTE SYMBOL	(2) STOCK NO.	(3) ORDNANCE PART NO.	(4) MFR'S PART NO.	(5) FIGURE NO.	(6) NOMENCLATURE	(7) UNIT OF MEAS- URE	(8) QUAN- TITY PER UNIT ASSEM- BLY
GROUP 08—TRANSFER—Continued							
0802.3—TRANSFER OUTPUT SHAFT AND GEARS—Continued							
G-9	8080-K2-1-28X	-----	SP-K2-1-28X WO-A1105 FM-GP4863	-----	FLANGE, companion, rear, w/SHIELD, assy (Used with external contracting brakes).	ea	1
G-9	3320-GPW4863	-----	SP-K2-1-68X WO-116714 FM-GPW4863	-----	FLANGE, companion, rear (Used with internal expanding brakes).	ea	1
G-9	8080-124J	-----	SP-124J WO-A980 FM-356125S	08-1, 2	NUT, special, hex, S, 3/4-20EF-3-----	ea	1
H-1	H001-0811055	103388	-----	08-2	PIN, cotter, split, S, 1/8 x 1 1/4-----	ea	1
G-9	8080-S1056	-----	SP-S1056 WO-A1028 FM-356504S	08-2	WASHER, special, flat, 3/4 in-----	ea	1
G-9	8080-18-223-3	-----	SP-18-223-3 WO-A1134 FM-GP7746	-----	GASKET, output shaft and output clutch shaft oil seal.	ea	2
G-9	8080-18-466-1	-----	SP-18-466-1 WO-A992 FM-GP7762	08-1, 2	GEAR, clutch (10 internal T., 1.088 bore. 1.755 face, 2.311 OD).	ea	1
G-9	8080-18-8-1	-----	SP-18-8-1 WO-A989 FM-GP7766	08-1, 2	GEAR, output, front (27 T., 4.101 OD)-----	ea	1
G-9	8080-18-8-2	-----	SP-18-8-2 WO-A988 FM-GP7765	08-1, 2	GEAR, sliding (27 T., 5.571 OD, 1.192 face)-----	ea	1
G-9	8080-22-381-19	-----	SP-22-381-19 WO-A976 FM-GP7783	08-2	RING, snap, clutch gear shaft bearing-----	ea	1
G-9	8080-18-381-2	-----	SP-18-381-2 WO-A991 FM-GP7784	08-2	RING, snap, output shaft thrust washer-----	ea	1

G-9	8080-18-362-3		SP-18-362-3 WO-A975 FM-GP7761	08-1, 2	SHAFT, clutch gear.....	ea	1
G-9	3320-GPW7726		WO-A8835 FM-GPW7726		SHAFT, clutch gear, w/NUT and WASHER, assy..	ea	1
G-9	8080-5866X		SP-5866X WO-A1764 FM-GP7763	08-1, 2	SHAFT, output, w/pilot BEARING, assy.....	ea	1
G-9	G503-7036544	7036544	SP-18-362-4-5866X WO-A8841 FM-GPW7736		SHAFT, output, w/NUT and WASHER, assy (Includes pilot BUSHING and flange mounting NUT and WASHER).	ea	1
G-9	8080-715W		SP-715W WO-A979 FM-GP7733		SHIELD, dust, companion flange and front yoke (Superseded by SHIELD SP-5962X).	ea	2
G-9	8080-5962X		SP-5962X WO-A1111 FM-GP7776	08-1, 2	SHIELD, dust, companion flange and front yoke, w/SLINGER, assy.	ea	2
G-9	3320-GP7747		WO-A978 FM-GP7747		SLINGER, dust, companion flange and front yoke (Superseded by SHIELD SP-5962X).	ea	2
G-9	8080-710W		SP-710W WO-A990 FM-GP7771	08-2	WASHER, thrust, output shaft.....	ea	1
					YOKE, front (See group 0900)		
					0802.5—SPEEDOMETER DRIVE PARTS		
G-9	G503-7044232	7044232	SW-777F1-1038		ADAPTER, speedometer (for vehicles w/7-50 x 16 tires). (Also listed in sub-group 2208.1).	ea	1
G-9	G505-0156055	A167516	SP-475-2 WO-A985 FM-GP17277	08-2	BEARING, bushing type, speedometer drive gear..	ea	1
G-9	8080-18-452-2		SP-18-452-2 WO-A1511 FM-GP17285	08-1, 2	GEAR, drive speedometer.....	ea	1
G-9	8080-18-453-3		SP-18-453-3 WO-A1512 FM-GPW17271	08-1, 2	GEAR, driven, speedometer.....	ea	1
G-9	8080-18-454-2		SP-18-454-2 WO-636396 FM-GP17333 FM-GPW17333	08-2	SLEEVE, speedometer driven gear.....	ea	1

(1) NOTE SYMBOL	(2) STOCK NO.	(3) ORDNANCE PART NO.	(4) MFR'S PART NO.	(5) FIGURE NO.	(6) NOMENCLATURE	(7) UNIT OF MEAS- URE	(8) QUAN- TITY PER UNIT ASSEM- BLY
GROUP 08—TRANSFER—Continued							
0804—TRANSFER GEAR SHIFT LEVERS, FORKS, SHAFTS, ETC.							
H-2	H002-0100140	104920	-----	08-2	BALL, alloy-S, grade 2, 3/8 in. (poppet, shifter shaft)	ea	2
K-3	45-F-406-150	45-F-460-150	-----	08-2	FITTING, lubricating, hydraulic type, angle 45 deg, 1/4-28NF, male (shifting levers pivot pin).	ea	1
G-9	8080-18-66-7	-----	SP-18-66-7 WO-A960 FM-GPW7711	08-2	FORK, shifter, output clutch gear-----	ea	1
G-9	8080-18-66-1	-----	SP-18-66-1 WO-A959 FM-GP7712	08-2	FORK, shifter, output shaft sliding gear-----	ea	1
G-9	G503-5214776	A214776	SP-7450 WO-A963 FM-355550S	08-2	SCREW, set, S, 3/8-24NF x 0.72 (dld hd)-----	ea	2
H-9	H009-0102230	22- W1631- 110	SP-LW1 WO-A964	-----	WIRE, S, carbon, low, annealed, soft black, diam 0.0625 in.	lb	‡
G-9	3320-GPW1101- 1735A	-----	WO-A3784 FM-GPW1101735A	-----	GROMMET, gear shift lever (leather)-----	ea	1
G-9	8080-18-12-1	-----	SP-18-12-1 WO-A965 FM-GP7789	08-2	INTERLOCK, gear shifter shaft-----	ea	1
G-9	8080-39Q30	-----	SP-39Q20 WO-A971 FM-GP7213	08-2	KNOB, gear shift lever (Also known as BALL)---	ea	2
G-9	8080-25Q1055	-----	SP-25Q1055 WO-A1505 FM-GPW7793	01-2 08-2 18-2	LEVER, gear shift, direct and underdrive-----	ea	1
G-9	8080-25Q1056	-----	SP-25Q1056 WO-A1506 FM-GPW7710	01-2 08-2 18-2	LEVER, gear shift, front wheel drive-----	ea	1
G-9	8080-363SP	-----	SP-363SP WO-A972 FM-GP7796	08-2	PIN, pivot, gear shift levers-----	ea	1
G-9	8080-433D	-----	SP-433D WO-A973 FM-355378S	08-2	SCREW, set, sq-hd, S, 1/16-18NC-2 x 1/2-----	ea	1

G-9	8080-854D		SP-854D WO-A967 FM-355698S	08-2	PLUG, shifter shaft poppet ball spring-----	ea	2
G-9	9410-T84J86A		WG-T84J86A WO-A1385 FM-GPW7233	08-2	PLUNGER, interlock, gear shifter shaft-----	ea	1
H-13	H013-0500007	500007		08-2	SEAL, oil, type ML, 5/8 x 1.128 x 3/8 (gear shifter shaft).	ea	2
G-9	8080-18-67-2		SP-18-67-2 WO-A962 FM-GP7787	08-2	SHAFT, shifter, clutch gear fork-----	ea	1
G-9	8080-18-67-5		SP-18-67-5 WO-A1504 FM-GPW7786	08-2	SHAFT, shifter, sliding gear fork-----	ea	1
G-9	G160-0389772		SP-97Q13 WO-A970 FM-GP7799	08-2	SPRING, gear shift lever-----	ea	2
G-9	G503-5214784	A214784	SP-22-72-5 WO-A966 FM-GP7788	08-2	SPRING, shifter shaft poppet ball-----	ea	2
0806.5—TRANSFER BREATHER							
G-9	8080-5951X		SP-5951X WO-A934 FM-GP7754	08-2	VENT, transfer case, assy (Includes BODY, CAP and cotter PIN).	ea	1

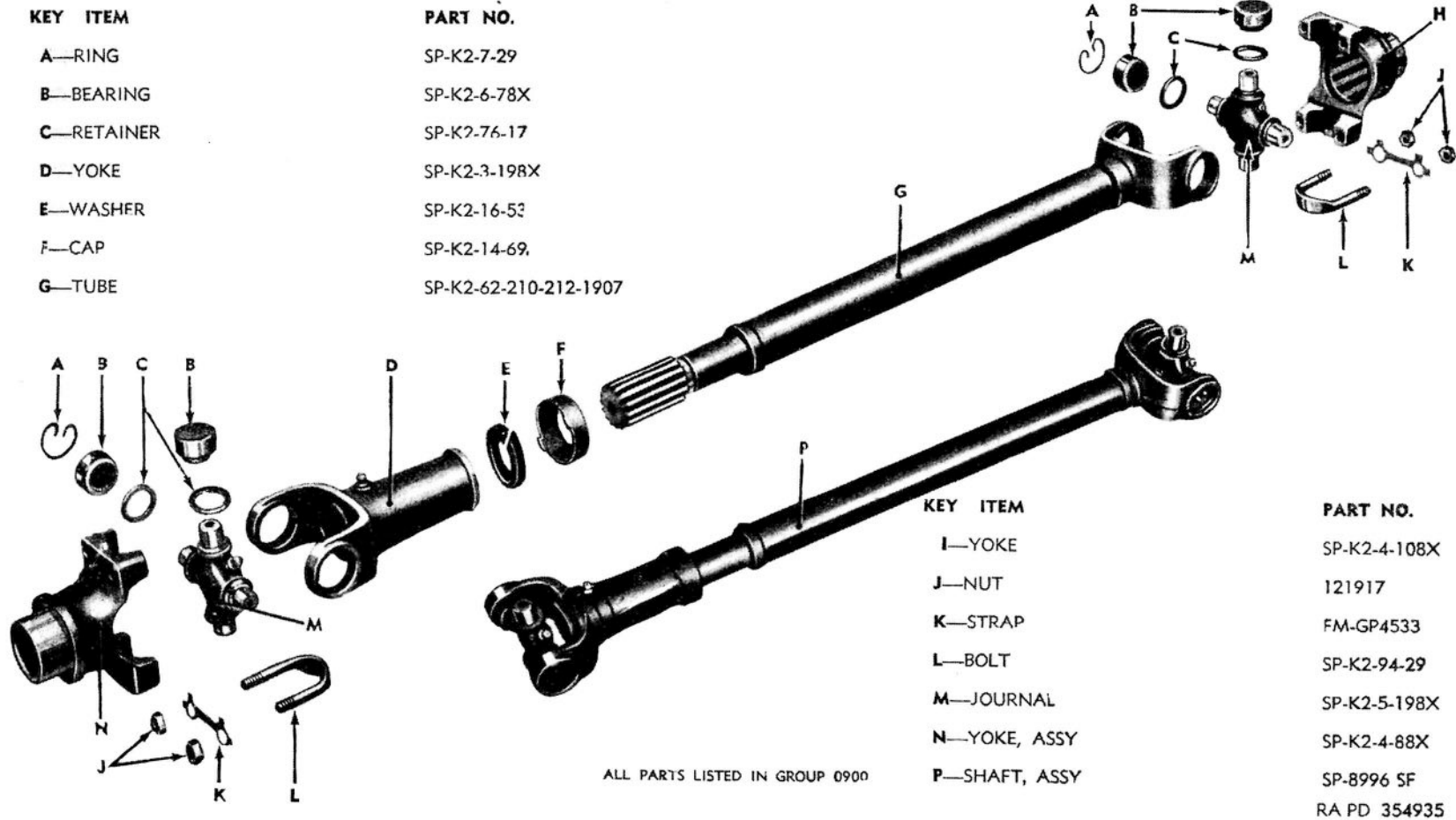


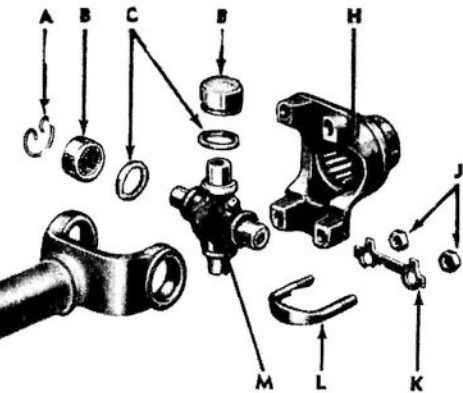
Figure 09-1. Front propeller shaft—exploded view.

KEY ITEM

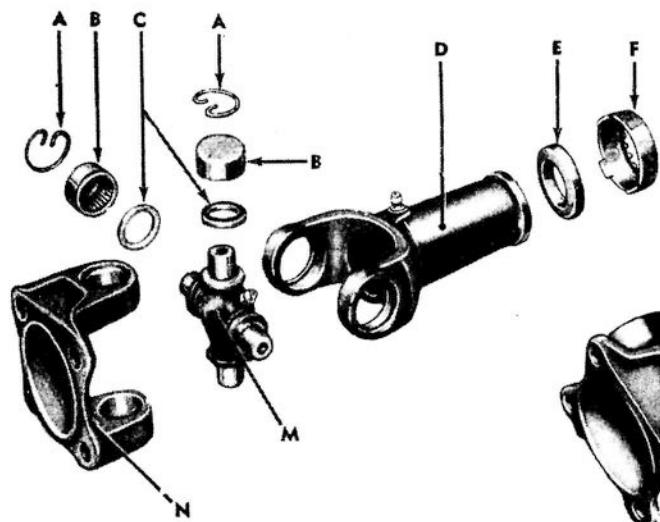
- A—RING
- B—BEARING
- C—RETAINER
- D—YOKE
- E—WASHER
- F—CAP
- G—TUBE

PART NO.

- SP-K2-7-29
- SP-K2-6-78X
- SP-K2-76-17
- SP-K2-3-198X
- SP-K2-16-53
- SP-K2-14-69
- SP-K2-62-210-212-1718



167



KEY ITEM

- H—YOKF
- J—NUT
- K—STRAP
- I—ROLT
- M—JOURNAL
- N—YOKE
- P—SHAFT, ASSY

PART NO.

- SP-K2-4-108X
- 121917
- FM-GP4533
- SP-K2-94-29
- SP-K2-5-198X
- SP-K2-2-329
- SP-8997SF

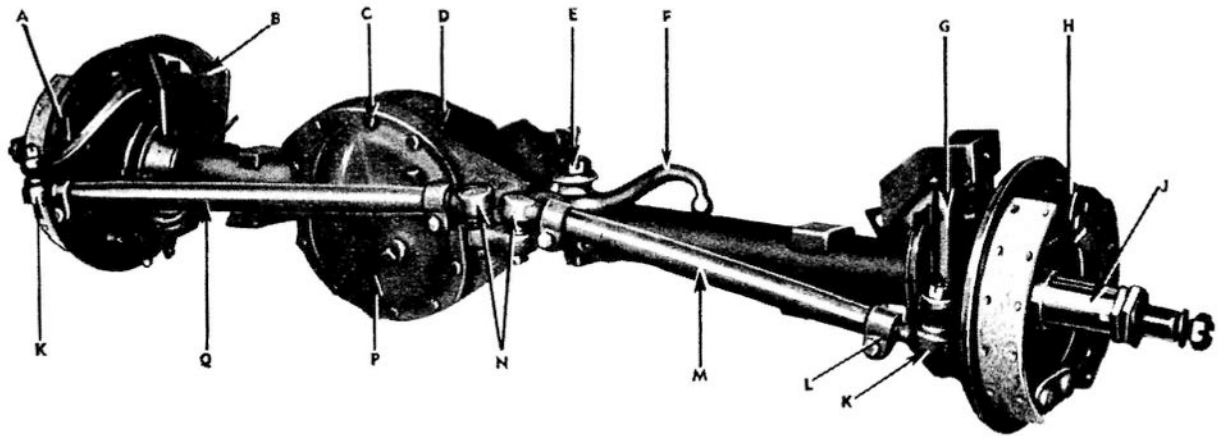
RA PD 354936

ALL PARTS LISTED IN GROUP 0900.

Figure 09-2. Rear propeller shaft—exploded view.

(1) NOTE SYMBOL	(2) STOCK NO.	(3) ORDNANCE PART NO.	(4) MFR'S PART NO.	(5) FIGURE NO.	(6) NOMENCLATURE	(7) UNIT OF MEAS- URE	(8) QUAN- TITY PER UNIT ASSEM- BLY
GROUP 09—PROPELLER SHAFT							
0900—PROPELLER SHAFT, UNIVERSAL JOINTS, AND RELATED PARTS							
G-9	-----	A307550	SP-K2-6-78X WO-A1434	09-1, 2	BEARING, needle roller, universal joint, assy-----	ea	16
G-9	G085-2242230	A307299	FM-GPW7074 SP-K2-94-29 WO-A490 FM-01Y4529	09-1, 2	BOLT, "U", universal joint bearing (S, 5/16-24NF-3).	ea	6
H-1	H001-4171561	121917	-----	09-1, 2	NUT, hex, light, s-fin, S, cd or zn-pltd, 5/16-24NF-3.	ea	12
G-9	3320-GP4533	-----	FM-GP4533	09-1, 2	STRAP, locking, "U" bolt nut-----	ea	6
H-1	H001-7025711	120214	-----	-----	WASHER, lock, med, S, cd or zn-pltd, 5/16 in-----	ea	12
G-9	G503-7702591	7702591	SP-K2-14-69 WO-A942 FM-GP7077	09-1, 2	CAP, dust, sliding yoke-----	ea	2
G-9	-----	-----	SP-K2-6-181	-----	CAP, universal joint bearing-----	ea	16
K-3	45-F-451	45-F-451	-----	-----	FITTING, lubricating, hydraulic type, stght, 1/4-28NS, male.	ea	6
G-9	G508-5160316	A160316	SP-K3-86-89 WO-A941 FM-01T7078A	-----	GASKET oil sealing, universal joint bearing-----	ea	16
G-9	G179-5307552	A307552	SP-K2-5-198X • WO-A1426 FM-GPW7084	09-1, 2	JOURNAL, universal joint-----	ea	4
G-9	-----	-----	SP-K2-68-23	-----	PLUG, expansion, sliding yoke-----	ea	2
G-9	G503-5307178	A307178	SP-K2-76-17 WO-A940 FM-01Y7083	09-1, 2	RETAINER, universal joint bearing gasket-----	ea	16
G-9	G503-5307289	A307289	SP-K2-7-29 WO-A945 FM-01Y7096	09-1, 2	RING, snap, universal joint bearing-----	ea	10
G-9	-----	-----	SP-98-851	-----	ROLLER, universal joint bearing-----	ea	368
G-9	8080-8996SF	-----	SP-8996SF WO-A1326 FM-GPW3365	07-1 09-1	SHAFT, propeller, welded assy (See TUBE) SHAFT, propeller, front, w/universal JOINTS, assy (Does not include YOKES).	ea	1

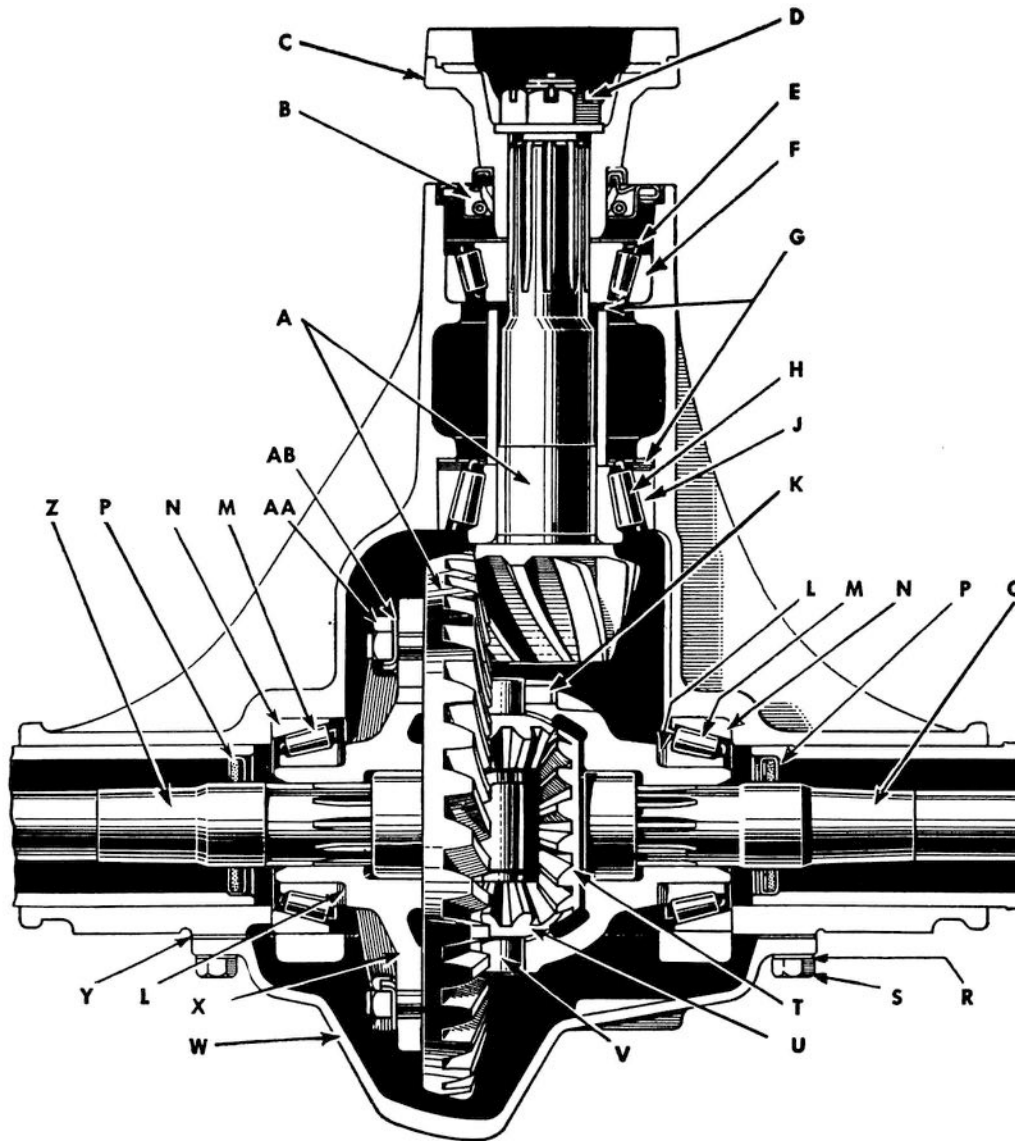
G-9	8080-8997SF		SP-8997SF WO-A1327 FM-GPW4602	07-1 09-2	SHAFT, propeller, rear, w/universal JOINTS, assy (Includes YOKE SP-K2-2-329).	ea	1
G-9	G540-7365352 H001-4171645 H001-7025775	7365352 121956 115314	FM-20421S2		BOLT, hex-hd, S, phos-ctd, $\frac{1}{16}$ -20NF-3 x $1\frac{1}{16}$.	ea	4
G-9	8080-715W		SP-715W WO-A979 FM-GP7733		NUT, hex, light, s-fin, S, phos-ctd, $\frac{1}{16}$ -20NF-3.	ea	4
G-9	G503-7036583	7036583	SP-K2-62-210-212-1907 WO-A1428 FM-GPW3370	09-1	WASHER, lock, med, S, phos-ctd, $\frac{1}{16}$ in.	ea	1
G-9	3320-GPW4605		SP-K2-62-210-212-1718 WO-A1429 FM-GPW4605	09-2	SHIELD, dust, propeller shaft yoke	ea	1
K-3	45-V-18129-3	45-V- 18129-3			TUBE, front propeller shaft, assy (Also known as SHAFT, welded assy).	ea	1
G-9	G503-7702465	7702465	SP-K2-16-53 WO-A943 FM-GP7097	09-1, 2	TUBE, rear propeller shaft, assy (Also known as SHAFT, welded assy).	ea	1
G-9	G503-7702631	7702631	SP-K2-2-329 WO-A950 FM-GP4866	09-2	VALVE, lubricating pressure relief, 1500 lb, $\frac{1}{8}$ -27NPT, male, short.	ea	4
G-9	8080-K2-4-88X		SP-K2-4-88X WO-A1106 FM-GP7729	01-2 08-1, 2 09-1	WASHER, packing, sliding yoke (cork, split, 1 ID x $1\frac{3}{4}$ OD x $\frac{1}{16}$ thk).	ea	2
G-9	8080-124J		WO-A980 FM-356125S		YOKE, flange, rear propeller shaft to transfer (previously known as FLANGE).	ea	1
H-1	H001-0811055	103388			YOKE, front propeller shaft to transfer, w/ SHIELD, assy.	ea	1
G-9	8080-S1056		SP-S1056 WO-636570 FM-356504S		NUT, special, hex, S, $\frac{3}{4}$ -20NEF-3	ea	1
G-9	8080-K2-4-108X		SP-K2-4-108X WO-A1445 FM-GP4842	09-1, 2 10-2 11-2	PIN, cotter, split, S, $\frac{1}{8}$ x $1\frac{1}{4}$.	ea	1
G-9	G503-7367861	7367861	SP-S1135 WO-636569 FM-356126S	10-2 11-2	WASHER, special, flat, $\frac{3}{4}$ in.	ea	1
G-9	8080-S1056	143222	SP-S1056 WO-636570 FM-356504S	11-2 11-2	YOKE, propeller shaft to axle	ea	2
G-9	3320-GP7092		WO-A936 FM-GP7092		NUT, hex, slotted, S $\frac{3}{4}$ -16NF-3	ea	2
G-9	G503-5226157	A226157	SP-K2-3-198X WO-A935 FM-GP4841	09-1, 2	PIN, cotter, split, S, $\frac{3}{16}$ x $1\frac{1}{2}$.	ea	2
					WASHER, special, flat, $\frac{3}{4}$ in.	ea	2
					YOKE, sliding	ea	2
					YOKE, sliding, w/PLUG, assy	ea	2



KEY ITEM	PART NO.	GROUP	KEY ITEM	PART NO.	GROUP
A—ARM	SP-17301X	1004	J—SPINDLE, ASSY	SP-17202X	1004
B—GUARD	WO-A1457	1204.3	K—END, ASSY	TP-14SV90A7	1401
C—SCREW	180077	1001	L—CLAMP	TP-16MN8	1401
D—HOUSING, ASSY	SP-17310X	1001	M—TUBE	SP-17295-2	1401
E—NUT	SP-S1106	1401	N—END, ASSY	TP-14SV89A7	1401
F—BELLCRANK	SP-17307	1401	P—COVER	WO-A10231	1001
G—ARM	SP-17302X	1004	Q—TUBE	SP-17295-1	1401
H—BRAKE, ASSY	BX-47047	1202			

RA PD 342275G

Figure 10-1. Front axle assembly.



KEY ITEM	PART NO.	GROUP
A—GEAR SET	SP-16412X	1002
B—SEAL	500071	1002
C—YOKE	SP-K2-4-108X	0900
D—NUT	SP-S1135	0900
E—CONE	705271	1002
F—CUP	707063	1002
G—SHIM	SP-S112	1002
H—CONE	705478	1002
J—CUP	706877	1002
K—PIN	SP-13449	1002
L—SHIM	SP-S58	1002
M—CONE	705438	1002
N—CUP	706849	1002
P—SEAL	500030	1006
Q—SHAFT	WO-A1728	1006
R—WASHER	120393	1001
S—SCREW	180077	1001
T—GEAR	SP-16385	1002
U—PINION	SP-15926	1002
V—SHAFT	SP-16075	1002
W—COVER	WO-A10231	1001
X—CASE	SP-16383	1002
Y—GASKET	SP-16409	1001
Z—SHAFT	WO-A1715	1006
AA—SCREW	120758	1002
AB—STRAP	SP-16866	1002

Figure 10-2. Differential—cross section.

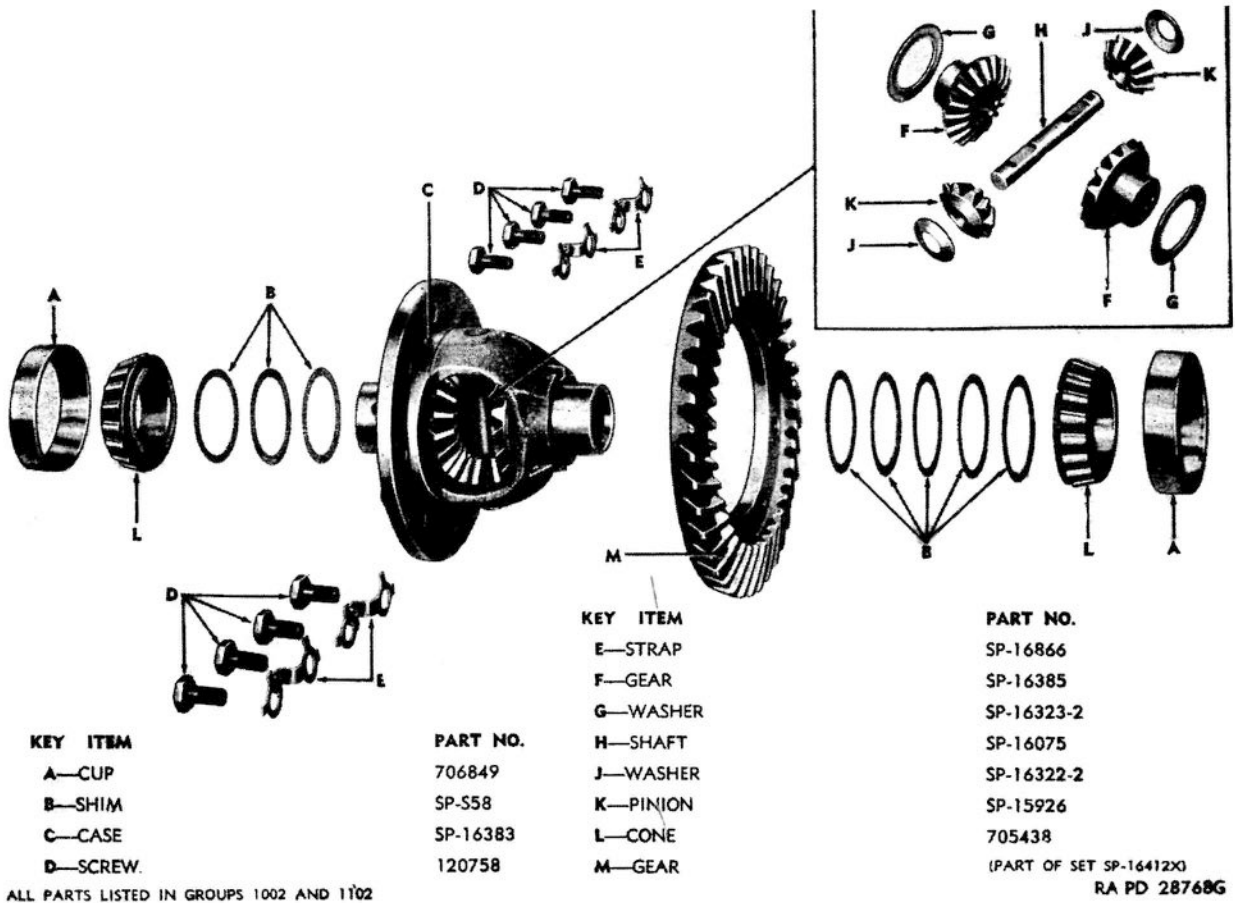
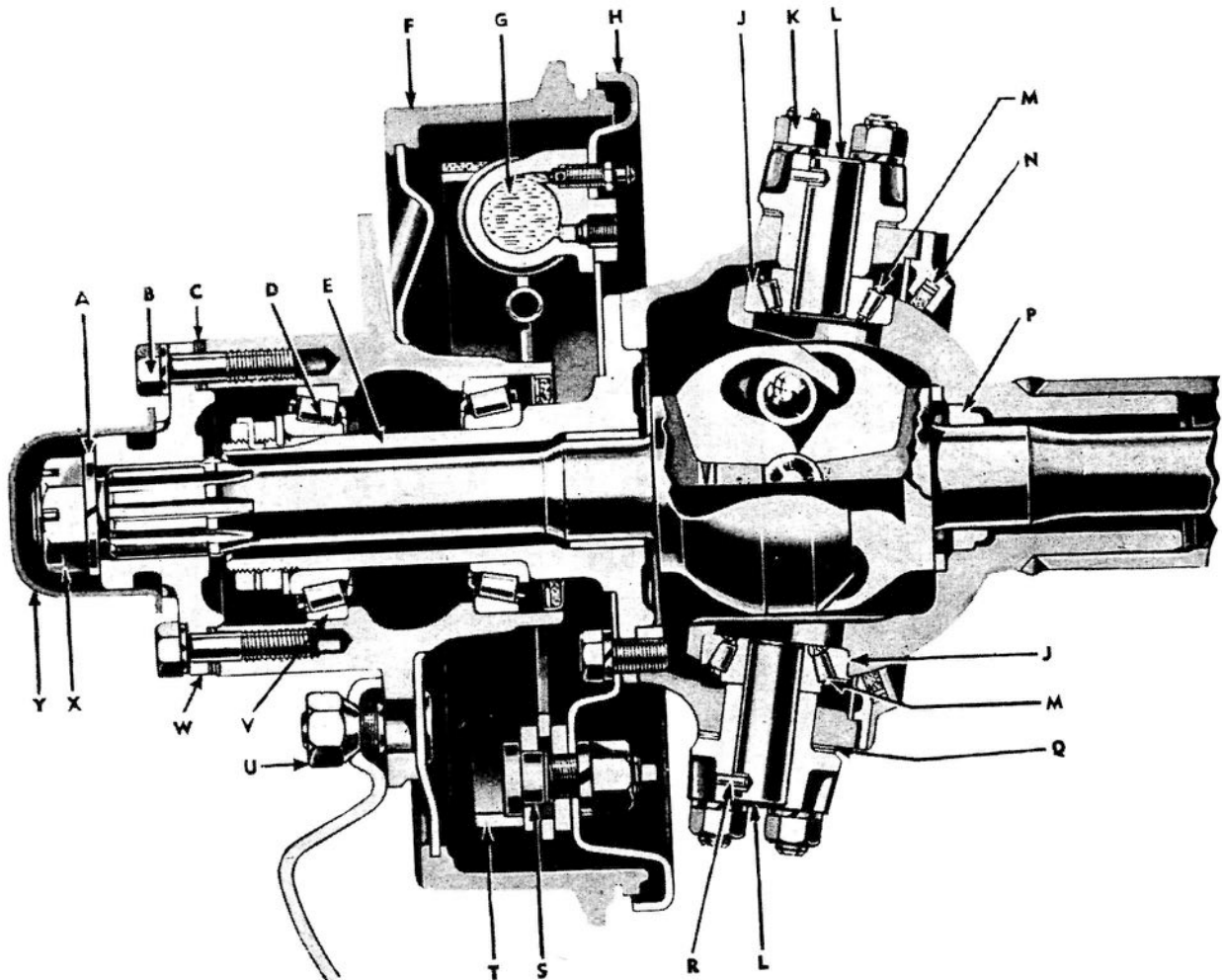


Figure 10-3. Differential—exploded view.



KEY ITEM

- A—WASHER
- B—BOLT
- C—SHIM
- D—CONE
- E—SPINDLE, ASSY
- F—(HUB, ASSY, LEFT
- G—(HUB, ASSY, RIGHT
- H—CYLINDER, ASSY
- I—PLATE, ASSY
- J—CUP
- K—NUT
- L—PIN
- M—CONE
- N—SEAL, ASSY
- P—SEAL
- Q—SHIM
- R—PIN
- S—PIN
- T—SHOE, ASSY
- U—(NUT (LH. THD)
- (NUT (RH THD)
- V—CUP
- W—FLANGE
- X—NUT
- Y—CAP

PART NO.

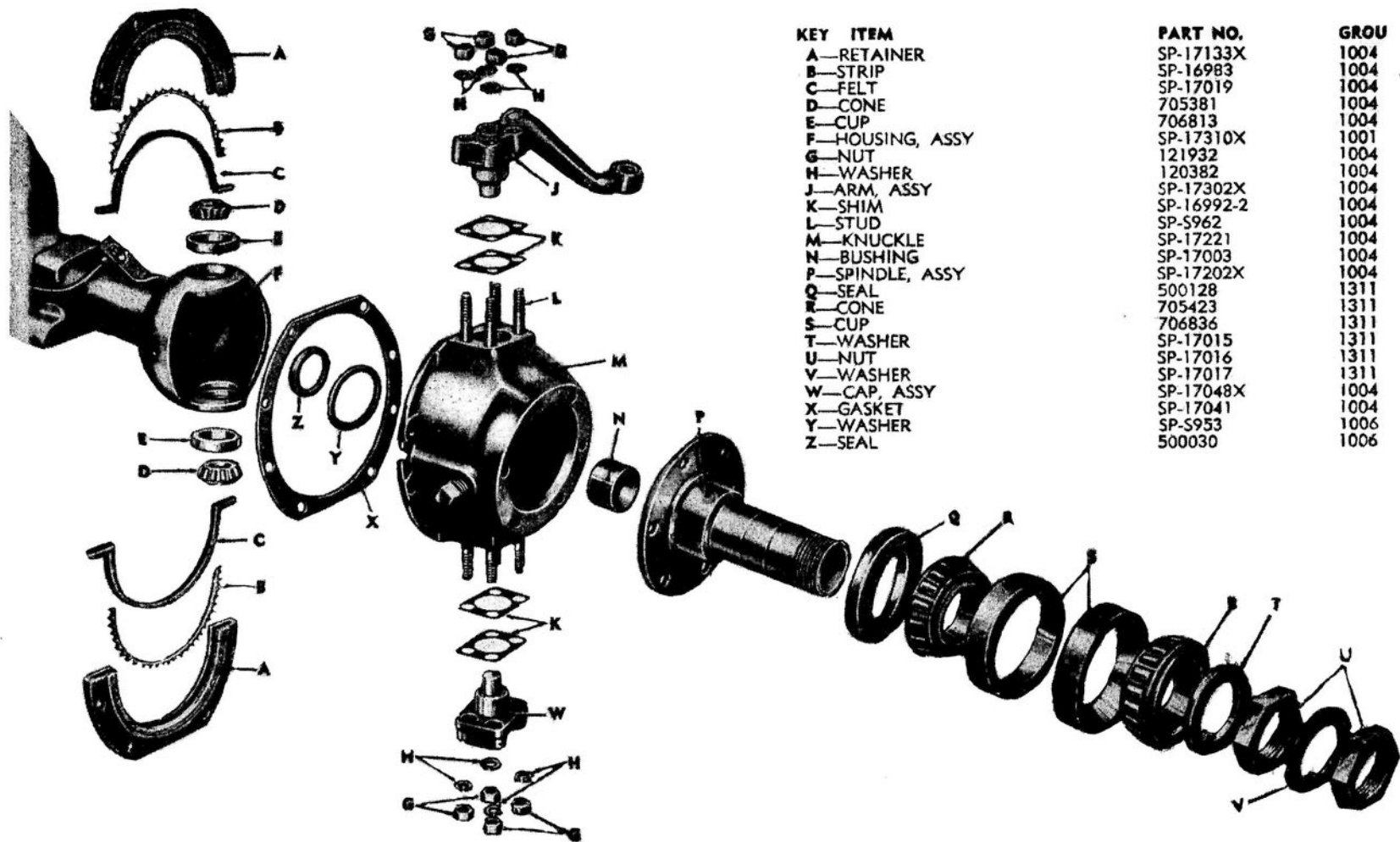
- SP-51056
- SP-6-73-124
- SP-17155-1
- 705423
- SP-17202X
- {KHW-25647
- {KHW-25646
- BX-45908
- BX-47054
- 706813
- 121932
- SP-16991
- 705381
- SP-17135X
- 500034
- SP-16992-1
- SP-5957
- BX-39953
- BX-114151
- {KHW-24576
- {KHW-24575
- 706836
- SP-17153
- SP-S1135
- SP-17071

GROUP

- 1006
- 1006
- 1006
- 1311
- 1004
- {1312
- {1312
- 1204.2
- 1202
- 1004
- 1004
- 1004
- 1004
- 1004
- 1006
- 1004
- 1004
- 1202
- 1202
- {1311
- {1311
- 1311
- 1006
- 1006
- 1312

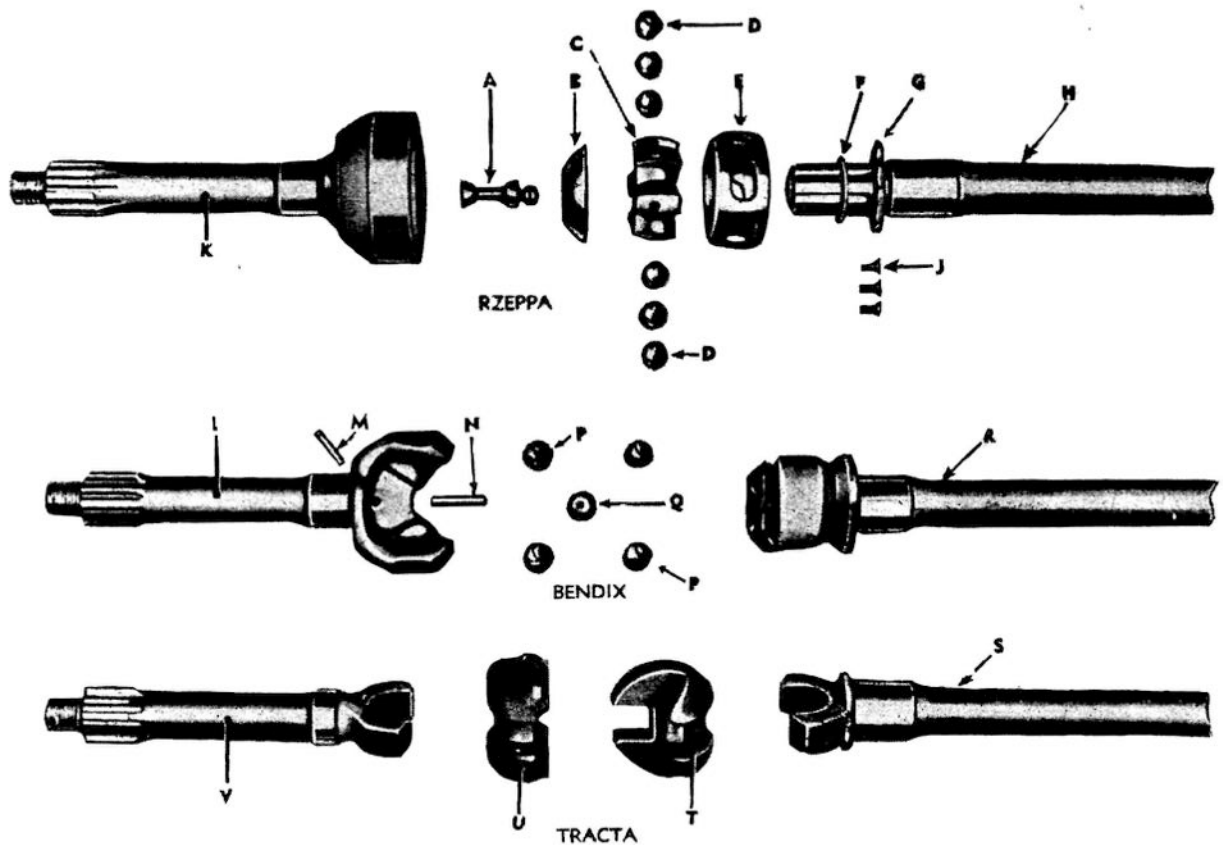
RA PD 342271G

Figure 10-4. Front axle, steering knuckle, and hub—assembly.



RA PD 354900

Figure 10-5. Front axle, steering knuckle, and related parts—exploded view.



KEY ITEM	PART NO.	KEY ITEM	PART NO.
A—PIN	SP-17224	M—PIN	WO-A6278
B—PILOT	SP-17233	N—PIN	WO-A6279
C—RACE	SP-17231	P—BALL	WO-A6289
D—BALL	WO-A1721	Q—BALL	WO-A6288
E—CAGE	SP-17236	R—{SHAFT, LEFT SHAFT, RIGHT	{WO-A6274 WO-A6275
F—RING	SP-17218	S—{SHAFT, LEFT SHAFT, RIGHT	{NP-38491 NP-38492
G—RETAINER	SP-17216	T—JOINT	NP-38371
H—{SHAFT, LEFT SHAFT, RIGHT	{SP-17122-4 SP-17122-3	U—JOINT	NP-38372
J—SCREW	133486	V—SHAFT	NP-38373
K—SHAFT	SP-17229		
L—SHAFT	WO-A6272		

RA PD 342273G

ALL PARTS LISTED IN GROUP 1006

Figure 10-6. Front axle universal joints—exploded view.

(1) NOTE SYMBOL	(2) STOCK NO.	(3) ORDNANCE PART NO.	(4) MFR'S PART NO.	(5) FIGURE NO.	(6) NOMENCLATURE	(7) UNIT OF MEAS- URE	(8) QUAN- TITY PER UNIT ASSEM- BLY
					GROUP 10—FRONT AXLE		
					1000—FRONT AXLE ASSEMBLY		
			SP-2058-1 WO-A1212	-----	AXLE, front, assy (Bendix joints) ^{2 4} -----	ea	1
			SP-2058-2 WO-A1387	-----	AXLE, front, assy (Rzeppa joints) ^{2 4} -----	ea	1
			SP-SKA34172 WO-A1765	-----	AXLE, front, assy (Spicer joints) ^{2 4} -----	ea	1
			SP-2058-3 WO-A6442	-----	AXLE, front, assy (Tracta joints) ^{2 4} -----	ea	1
			WO-A5498		AXLE, front, w/BRAKES, DRUMS, and HUB, assy (Bendix joints) ^{3 4} .	ea	1
G-9	G503-7734206	7734206	WO-A6029	07-1	AXLE, front, w/BRAKES, DRUMS, and HUB, assy (Bendix or Tracta joints) ^{3 4} .	ea	1
G-9	G503-7734206	7734206	WO-A5499 FM-GPW3001 WO-A6470	07-1	AXLE, front, w/BRAKES, DRUMS, and HUB, assy (Rzeppa joints) ^{3 4} .	ea	1
			FM-GP4016A WO-A781	-----	AXLE, front, w/BRAKES, DRUMS, and HUB, assy (Tracta joints) ^{3 4} .	ea	1
			FM-GP4016 FM-GP4015	-----	COVER (Superseded by COVER WO -A10231)---	ea	1
				-----	COVER (Superseded by COVER WO-A10231)---	ea	1
					1001—FRONT AXLE HOUSING, COVERS, AND PLUGS		
G-9	8080-16976	-----	WO-A10231	10-1, 2	COVER-----	ea	1
H-1	H001-5453141	180077		10-1, 2	SCREW, cap, hex-hd, S, cd or zn-pltd, $\frac{5}{16}$ - 18NC-3 x $\frac{3}{4}$.	ea	10
H-1	H001-7043711	120393		10-2	WASHER, plain, SAE std, S, cd or zn-pltd, $\frac{5}{16}$ in.	ea	10
G-9	8080-16409	-----	SP-16409 WO-A782 FM-GP4035	10-2	GASKET, cover-----	ea	1
G-9	8080-17310X	-----	SP-17310X WO-A1703 FM-GPW3074	10-1, 5	HOUSING, w/TUBE, assy-----	ea	1

G-9	G134-0340397	A283318	SP-16979 WO-A870 FM-GP4022		PLUG, air vent-----	ea	1
H-6	H006-0283765	113186			PLUG, pipe, countersunk, MI, 3/4 in. (drain)-----	ea	1
H-6	H006-0283567	103869			PLUG, pipe, sq-hd, CI, 3/4 in. (oil filler)-----	ea	1
1002—FRONT AXLE DIFFERENTIAL							
			WO-A764 FM-GP4224		CAP, case bearing-----	ea	2
H-1	H101-0213821	213821			SCREW, cap, hex-hd, S, cd or zn-pltd, 1/2-13NC-2 x 2 1/4.	ea	4
H-1	H101-0180447	180447			WASHER, lock, int-teeth, heavy, S, cd or zn-pltd, 1/2 in.	ea	4
G-9	8080-16383		SP-16383 WO-A793 FM-GP4206	10-2, 3	CASE, differential-----	ea	1
H-12	H012-6146900	705438	TIM-24780	10-2, 3	CONE, tapered roller bearing, No. TIM-24780 (Includes rollers and cage, type TS, SR, 1.625 bore, 0.9063 width) (case bearing).	ea	2
H-12	H012-6160380	705478	TIM-31593	10-2	CONE, tapered roller bearing, No. TIM-31593 (Includes rollers and cage, type TS, SR, 1.375 bore, 1.125 width) (drive pinion inner bearing).	ea	1
H-12	H012-6122200	705271	TIM-02872	10-2	CONE, tapered roller bearing, No. TIM-02872 (Includes rollers and cage, type TS, SR, 1.125 bore, 0.875 width) (drive pinion outer bearing).	ea	1
H-12	H012-6220960	706849	TIM-24721	10-2, 3	CUP, tapered roller bearing, No. TIM-24721 (type TS, SR, 3.000 OD, 0.8125 width) (case bearing).	ea	2
H-12	H012-6224700	706877	TIM-31520	10-2	CUP, tapered roller bearing, No. TIM-31520 (type TS, SR, 3.000 OD, 0.9375 width) (drive pinion inner bearing).	ea	1
H-12	H012-6209700	707063	TIM-02820	10-2	CUP, tapered roller bearing, No. TIM-02820 (SR type TS, 2.875 OD, 0.6875 width) (drive pinion outer bearing).	ea	1
	G-503-7744948	7744948	SP-16969X FM-GP4207		DIFFERENTIAL, assy (Does not include drive GEAR and PINION).	ea	1
G-9	8080-16968X		SP-16968X WO-A788 FM-GPW4212		DIFFERENTIAL, assy (Includes drive GEAR and PINION).	ea	1
G-9	8080-S171		SP-S171 WO-636565 FM-GP4661		GASKET, drive pinion shaft oil seal-----	ea	1

* AXLES WO-A1212, WO-A1387, WO-A1765, and WO-A6442 are interchangeable as complete assemblies.

† AXLE assemblies, FM-GPW3001, WO-A5498, WO-A5499, WO-A6029, and WO-A6470 are interchangeable as complete assemblies.

‡ These assemblies include steering tie RODS and BELLCRANK.

(1) NOTE SYMBOL	(2) STOCK NO.	(3) ORDNANCE PART NO.	(4) MFR'S PART NO.	(5) FIGURE NO.	(6) NOMENCLATURE	(7) UNIT OF MEAS- URE	(8) QUAN- TITY PER UNIT ASSEM- BLY
GROUP 10—FRONT AXLE—Continued							
1002—FRONT AXLE DIFFERENTIAL—Continued							
G-9	8080-16385	-----	SP-16385 WO-A794 FM-GPW4236	10-2, 3	GEAR, side (16T, 2.758 OD)-----	ea	2
G-9	8080-16412X	-----	SP-16412X WO-A789 FM-GPW4209	10-2	GEAR SET, differential drive (Consists of matched ring GEAR and PINION).	ea	1
H-1	H001-5421241	120758	-----	10-2, 3	SCREW, cap, hex-hd, S, cd or zn-pltd, 3/8-24NF-3 x 3/4.	ea	8
G-9	8080-16866	-----	SP-16866 WO-A792 FM-GP4281	10-2, 3	STRAP, locking-----	ea	4
G-9	8080-13449	-----	SP-13449 WO-636360 FM-GP4241	10-2	PIN, locking, pinion shaft-----	ea	1
G-9	8080-15926	-----	SP-15926 WO-A796 FM-GPW4215	10-2, 3	PINION, differential (10T, 1.14 OD)-----	ea	2
H-13	H013-0500071	500071	-----	10-2	SEAL, oil, type MLS, 1 1/8 x 3.165 x 1 1/2 (drive pinion).	ea	1
G-9	8080-16075	-----	SP-16075 WO-A798 FM-GP4211	10-2, 3	SHAFT, differential pinions-----	ea	1
G-9	8080-15099	-----	SP-15099 WO-636568 FM-GP4666	-----	SHIELD, dust, drive pinion-----	ea	1
G-9	8080-S58	-----	SP-S58 WO-A784 FM-GP4229A	10-2, 3	SHIM, case bearing (0.003 thk.)-----	ea	‡
G-9	8080-S59	-----	SP-S59 WO-A785 FM-GP4229B	-----	(0.005 thk.)-----	ea	‡
G-9	8080-S74	-----	SP-S74	-----	(0.010 thk.)-----	ea	‡

G-9	8080-S75	-----	WO-A786	-----	(0.015 thk.)-----	ea	‡
			FM-GP4229C		(0.030 thk.)-----	ea	‡
G-9	8080-S112	-----	SP-S112	10-2	SHIM, drive pinion inner bearing	ea	‡
			WO-A800		(0.003 thk.)-----		
G-9	8080-S113	-----	FM-GP4660A	-----	(0.005 thk.)-----	ea	‡
			SP-S113				
G-9	8080-S114	-----	WO-A801	-----	(0.010 thk.)-----	ea	‡
			FM-GP4660B				
G-9	8080-S114	-----	SP-S114	-----	(0.010 thk.)-----	ea	‡
			WO-A802				
G-9	8080-S638	-----	FM-GP4660C	-----	SHIM, drive pinion outer bearing	ea	‡
			SP-S638		(0.003 thk.)-----		
G-9	8080-S638-1	-----	WO-A803	-----	(0.005 thk.)-----	ea	‡
			FM-GP4659A				
G-9	8080-S638-2	-----	SP-S638-1	-----	(0.010 thk.)-----	ea	‡
			WO-A804				
G-9	8080-S638-2	-----	FM-GP4659B	-----	(0.010 thk.)-----	ea	‡
			SP-S638-2				
G-9	8080-S638-3	-----	WO-A805	-----	(0.030 thk.)-----	ea	‡
			FM-GP4659C				
G-9	8080-S638-3	-----	SP-S638-3	-----	(0.030 thk.)-----	ea	‡
			WO-A806				
G-9	8080-13575	-----	FM-GP4659D	-----	SLINGER, oil, drive pinion bearing	ea	1
			SP-13575				
G-9	8080-15367	-----	WO-636566	-----	SPACER, drive pinion bearings	ea	1
			FM-GP4619				
G-9	8080-15367	-----	SP'15367	-----	SPACER, drive pinion bearings	ea	1
			WO-A799				
G-9	8080-16322-2	-----	FM-GP4668	10-3	WASHER, thrust, differential pinion	ea	2
			SP-16322-2				
G-9	8080-16322-2	-----	WO-A797	10-3	WASHER, thrust, side gear	ea	2
			FM-GP4230				
G-9	8080-16323-2	-----	SP-16323-2	-----	WASHER, thrust, side gear	ea	2
			WO-A795				
G-9	8080-16323-2	-----	FM-GP4228	-----	WASHER, thrust, side gear	ea	2
			SP-16323-2				

(1) NOTE SYMBOL	(2) STOCK NO.	(3) ORDNANCE PART NO.	(4) MFR'S PART NO.	(5) FIGURE NO.	(6) NOMENCLATURE	(7) UNIT OF MEAS- URE	(8) QUAN- TITY PER UNIT ASSEM- BLY
GROUP 10—FRONT AXLE—Continued							
1004—STEERING KNUCKLES AND RELATED PARTS							
G-9	8080-17302X	-----	SP-17302X WO-A1712 FM-GPW3113	10-1, 5	ARM, steering knuckle, left, w/king PIN and lock PIN, assy.	ea	1
G-9	8080-17301X	-----	SP-17301X WO-A1710 FM-GPW3112	10-1	ARM, steering knuckle, right, w/king PIN and lock PIN, assy.	ea	1
H-1	H001-4171601	121932	-----	10-4, 5	NUT, hex, light, s-fin, S, cd or zn-pltd, $\frac{3}{8}$ -24NF-3.	ea	8
G-9	3320-GPW3325	-----	WO-A5504 FM-GPW3325	-----	STUD, dowel, S, $\frac{3}{8}$ -24NF-3 x 2	ea	4
G-9	G503-7324920	7324920	SP-S962 WO-A1714 FM-357703S	10-5	STUD, S, $\frac{3}{8}$ -24NF-3 x 2	ea	4
H-1	H001-7025741	120382	-----	10-5	WASHER, lock, med, S, cd or zn-pltd, $\frac{3}{8}$ in.	ea	8
G-9	8080-6-73-1117	-----	SP-6-73-1117 WO-A821 FM-35526S	-----	BOLT, stop, steering knuckle (S, $\frac{3}{8}$ -24NF-3 x $1\frac{1}{8}$).	ea	2
H-1	H001-4183601	122236	-----	-----	NUT, jam, hex, light, s-fin, S, cd or zn-pltd, $\frac{3}{8}$ -24NF-3.	ea	2
G-9	8080-17003	-----	SP-17003 WO-A853 FM-GP3205 FM-GP3205A	10-5	BUSHING, front wheel spindle, inner (bz, 1.251 ID x 1.376 OD x $\frac{3}{8}$ long) (Also known as BEARING, bushing type).	ea	2
G-9	8080-17048X	-----	SP-17048X WO-A828 FM-GP3140	10-5	CAP, steering knuckle, w/king and lock PIN, assy.	ea	2
H-1	H001-4171601	121932	-----	10-5	NUT, hex, light s-fin, S, cd or zn-pltd, $\frac{3}{8}$ -24NF-3.	ea	8
G-9	G503-7324920	7324920	SP-S962 WO-A1714 FM-357703S	10-5	STUD, S, $\frac{3}{8}$ -24NF-3 x 2	ea	8
H-1	H001-7025741	120382	-----	10-5	WASHER, lock, med, S, cd or zn-pltd, $\frac{3}{8}$ in.	ea	8

H-12	H012-6133330	705381	TIM-11590	10-4, 5	CONE, tapered roller bearing, No. TIM-11590 (Includes rollers and cage, SR type TSS, steep angle, 0.625 bore, 0.5625 width) (king pin bearing).	ea	4
H-12	H012-6216140	706813	TIM-11520	10-4, 5	CUP, tapered roller bearing, No. TIM-11520 (SR, type TSS, steep angle, 1.6875 OD, 0.375 width) (king pin bearing).	ea	4
G-9	8080-17019	-----	SP-17019 WO-A819 FM-GP3135	10-5	FELT, steering knuckle oil seal (half) -----	ea	4
G-9	8080-17041	-----	SP-17041 WO-A820 FM-GP1092	10-5	GASKET, steering knuckle oil seal -----	ea	2
G-9	8080-17222	-----	SP-17222 WO-A812 FM-GP3149A	-----	KNUCKLE, steering, left -----	ea	1
G-9	8080-17221	-----	SP-17221 WO-A811 FM-GP3148A	10-5	KNUCKLE, steering, right -----	ea	1
G-9	8080-16991	-----	SP-16991 WO-A824 FM-GP3115	10-4	PIN, king, steering knuckle -----	ea	4
G-9	8080-S957	-----	SP-S957 WO-A825 FM-GP3122	10-4	PIN, lock, steering knuckle king pin -----	ea	4
H-6	H006-0283571	103868	-----	-----	PLUG, pipe, sq-hd, CI, 1/2 in. (steering knuckle oil filling opening).	ea	2
G-9	8080-17133X	-----	SP-17133X WO-A814 FM-GP1089	10-5	RETAINER, steering knuckle oil seal (half) -----	ea	4
G-0	8080-17135X	-----	SP-17135X WO-A813 FM-GP1088	10-4	SEAL, oil, steering knuckle, assy (half) -----	ea	4
H-1	H101-0214656	214656	-----	-----	SCREW, cap, hex-hd, S, cd or zn-pltd, 5/16-24NF-2 x 5/8.	ea	16
H-1	H001-7017651	138485	-----	-----	WASHER, lock, ext-teeth, reg, S, cd or zn-pltd, 5/16 in.	ea	16
G-9	8080-16992-1	-----	SP-16992-1 WO-A830 FM-GP3117A	10-4	SHIM, king pin bearing: (0.003 thk.) -----	ea	‡
G-9	8080-16992-2	-----	SP-16992-2 WO-A831 FM-GP3117B	10-5	(0.005 thk.) -----	ea	‡

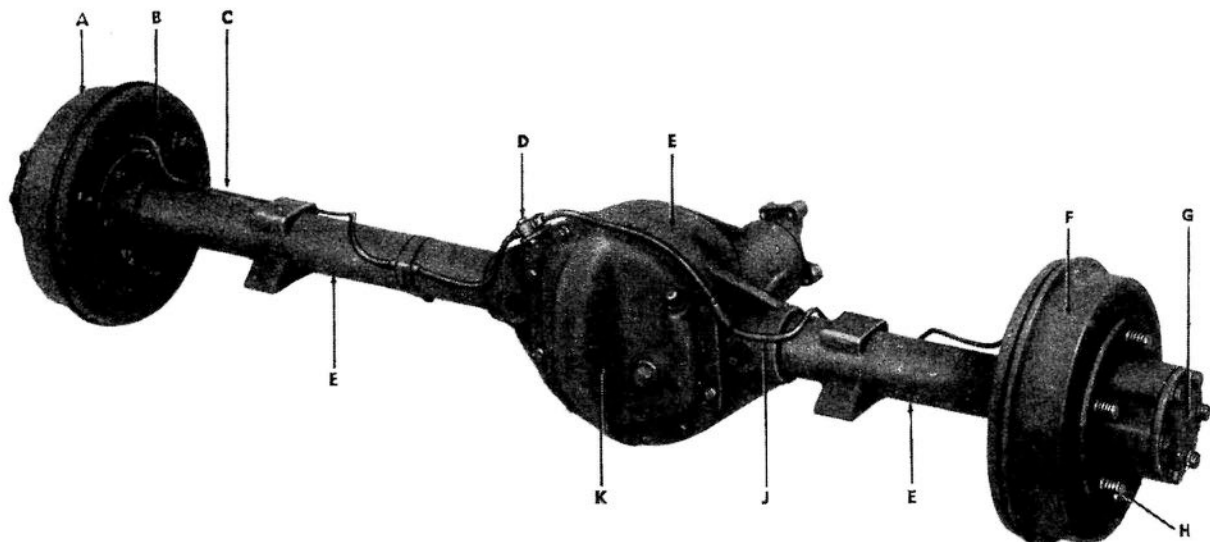
(1) NOTE SYMBOL	(2) STOCK NO.	(3) ORDNANCE PART NO.	(4) MFR'S PART NO.	(5) FIGURE NO.	(6) NOMENCLATURE	(7) UNIT OF MEAS- URE	(8) QUAN- TITY PER UNIT ASSEM- BLY
GROUP 10—FRONT AXLE—Continued							
1004—STEERING KNUCKLES AND RELATED PARTS—Con.							
SHIM—Continued							
G-9	8080-16992-3	-----	SP-16992-3 WO-A832 FM-GP3117C	-----	(0.010 thk.)-----	ea	‡
G-9	8080-16992-4	-----	SP-16992-4 WO-A833 FM-GP3117D	-----	(0.030 thk.)-----	ea	‡
G-9	8080-17202X	-----	SP-17202X WO-A851 FM-GP3105	10-1, 4, 5	SPINDLE, front wheel, w/BUSHING, assy-----	ca	2
H-1	H001-5421221	123520	-----	-----	SCREW, cap, hex-hd, S, cd or zn-pltd, $\frac{3}{8}$ - 24NF-3 x $\frac{3}{4}$.	ea	12
H-1	H001-7025741	120382	-----	-----	WASHER, lock, med, S, cd or zn-pltd, $\frac{3}{8}$ in	ea	12
G-9	8080-16983	-----	SP-16983 WO-A818 FM-GP3139	10-5	STRIP, pressure, steering knuckle oil seal, rubber (half).	ea	4
1006—FRONT AXLE SHAFTS AND UNIVERSAL JOINTS							
G-9	8080-17232	-----	WO-A1721 FM-358074S WO-A6288	10-6 10-6	BALL, universal joint (S, $\frac{1}{16}$ diam) (Rzeppa joint).	ea	12
					BALL, universal joint, center, drilled (Bendix joint).	ea	1
					BALL, universal joint, outer (Bendix joint)-----	ea	8
				10-6	0.872 diam-----	ea	‡
				-----	0.873 diam-----	ea	‡
				-----	0.874 diam-----	ea	‡
				-----	0.875 diam-----	ea	‡
				-----	0.876 diam-----	ea	‡
				-----	0.877 diam-----	ea	‡
				-----	0.878 diam-----	ea	‡
G-9	G503-7338861	7338861	WO-A6362	-----	BEARING, bushing type, axle shaft, outer (for Tracta joint) (can replace oil SEAL 500034 with Bendix or Rzeppa joints).	ea	2

G-9	8080-17230		SP-17230 WO-A1719 FM-GP3215A	10-6	CAGE, universal joint (Rzeppa)-----	ea	2
G-9	8080-17153		SP-17153 WO-A868 FM-GP3204	10-4	FLANGE, drive, axle shaft-----	ea	2
G-9	8080-6-73-124		SP-6-73-124 WO-A760 FM-GP1110	10-4	BOLT, hex-hd, s-fin, alloy-S, 3/8-16NC-2 x 1 1/2.	ea	12
	G503-7367861	7367861	SP-S1135 WO-636569 FM-356126S	10-4	NUT, hex, slotted, S, 3/4-16NF-3-----	ea	2
H-1	H001-0811055	103388	WO-5134 FM-72089S		PIN, cotter, split, S, 1/8 x 1 1/4-----	ea	2
H-1	H001-7025741	120382			WASHER, lock, med, S, cd or zn-pltd, 3/8 in-----	ea	12
G-9	8080-S1056		SP-S1056 WO-636570 FM-356504S	10-4	WASHER, special, flat, 3/4 in-----	ea	2
			NP-38372 WO-17358	10-6	JOINT, universal, female (Tracta)-----	ea	1
			NP-38371 WO-17357	10-6	JOINT, universal, male (Tracta)-----	ea	1
			NP-38487 WO-17356X WO-A6361		JOINT, universal, male and female, matched, assy (Tracta).	ea	1
G-9	8080-17233		SP-17233 WO-A1722 FM-GPW3219	10-6	PILOT, universal joint (Rzeppa)-----	ea	2
			WO-A6279	10-6	PIN, universal joint center ball (Bendix joint)-----	ea	2
			WO-A6278	10-6	PIN, universal joint groove (Bendix joint)-----	ea	2
G-9	8080-17224		SP-17224 WO-A1723 FM-GP3218	10-6	PIN, universal joint pilot (Rzeppa joint)-----	ea	2
G-9	8080-17231		SP-17231 WO-A1720 FM-GP3221	10-6	RACE, universal joint, inner (Rzeppa joint)-----	ea	2
G-9	8080-17216		SP-17216 WO-A1724 FM-GP3217	10-6	RETAINER, universal joint inner shaft (Rzeppa joint).	ea	2
H-1	H101-0133486	133486		10-6	SCREW, mach, fl-hd, S, cd or zn-pltd, No. 8-32NC-2 x 7/16.	ea	6
G-9	8080-17218		SP-17218 WO-A1726 FM-GP3216	10-6	RING, snap, inner shaft (Rzeppa joint)-----	ea	2

(1) NOTE SYMBOL	(2) STOCK NO.	(3) ORDNANCE PART NO.	(4) MFR'S PART NO.	(5) FIGURE NO.	(6) NOMENCLATURE	(7) UNIT OF MEAS- URE	(8) QUAN- TITY PER UNIT ASSEM- BLY
GROUP 10—FRONT AXLE—Continued							
1006—FRONT AXLE SHAFTS AND UNIVERSAL JOINTS—Con.							
H-13	H013-0500030	500030	SP-17036 WO-A779 FM-GP3034	10-2, 5	SEAL, oil, type MW, 1 $\frac{1}{16}$ x 2.000 x $\frac{1}{4}$ (axle shaft, inner).	ea	4
H-13	H013-0500034	500034	SP-17018 WO-A778 FM-GP3031A	10-4	SEAL, oil, type MW, 1 $\frac{1}{4}$ x 1.756 x $\frac{1}{4}$ (axle shaft, outer) (Bendix and Rzeppa joints).	ea	2
	G503-7734390	7734390	SP-17128-2X WO-A810	-----	SHAFT, complete, left, assy (Includes inner and outer SHAFTS and universal JOINT) (Bendix joint).	ea	1
G-9	G503-7734390	7734390	WO-A6030	-----	SHAFT, complete, left, assy (Includes inner and outer SHAFTS and universal JOINT) (Bendix or Tracta joints).	ea	1
G-9	G503-7734390	7734390	WO-A1728 FM-GPW3207A NP-38488 WO-17355-2X	10-2	SHAFT, complete left, assy (Includes inner and outer SHAFTS and universal JOINT) (Rzeppa joint).	ea	1
G-9	3320-GPW3327	-----	WO-A8836	-----	SHAFT, complete, left, w/NUT and WASHER, assy (Includes SHAFT, assy, NUT WO-636569 and WASHER WO-636570) (Bendix or Tracta joint).	ea	1
G-9	3320-GPW3227	-----	FM-GPW3227	-----	SHAFT, complete, left, w/NUT and WASHER, assy (Includes SHAFT, assy, FM-GPW3207A, NUT FM-356126S and WASHER FM-356504S) (Rzeppa joint).	ea	1
G-9	8080-17120-3X	-----	SP-17128-3X	-----	SHAFT, complete, right, assy (Includes inner and outer SHAFTS and universal JOINT) (Bendix joint).	ea	1

G-9	8080-17120-3X	-----	WO-A6031	-----	SHAFT, complete, right, assy (Includes inner and outer SHAFTS and universal JOINT) (Bendix or Tracta joints).	ea	1
G-9	8080-17120-3X	-----	WO-A1715 FM-GPW3206A	10-2	SHAFT, complete, right, assy (Includes inner and outer SHAFTS and universal JOINT) (Rzeppa joint).	ea	1
		-----	NP-38489 WO-17355-1X	-----	SHAFT, complete, right, assy (Includes inner and outer SHAFTS and universal JOINT) (Tracta joint).	ea	1
G-9	3320-GPW3226	-----	WO-A8837	-----	SHAFT, complete, right, w/NUT and WASHER, assy (Includes SHAFT, assy, NUT WO-636569 and WASHER WO-636570) (Bendix or Tracta joints).	ea	1
G-9	3320-GPW3226	-----	FM-GPW3226	-----	SHAFT, complete, right, w/NUT and WASHER, assy (Includes SHAFT, assy, FM-GPW3206A, NUT FM-356126S and WASHER FM-356504S) (Rzeppa joint).	ea	1
G-9	8080-17122-4	-----	WO-A6274 SP-17122-4 WO-A1729 FM-GPW3017A	10-6 10-6	SHAFT, inner, left (Bendix joint)----- SHAFT, inner, left (Rzeppa joint)-----	ea ea	1 1
		-----	NP-38491 WO-17360-2 WO-A6383	10-6	SHAFT, inner, left (Tracta joint)-----	ea	1
G-9	8080-17122-3	-----	WO-A6275 SP-17122-3 WO-A1727 FM-GPW3016A	10-6 10-6	SHAFT, inner, right (Bendix joint)----- SHAFT, inner, right (Rzeppa joint)-----	ea ea	1 1
		-----	NP-38492 WO-17360-1 WO-A6384	10-6	SHAFT, inner, right (Tracta joint)-----	ea	1
		-----	WO-A6272	10-6	SHAFT, outer (Bendix joint)-----	ea	2

(1) NOTE SYMBOL	(2) STOCK NO.	(3) ORDNANCE PART NO.	(4) MFR'S PART NO.	(5) FIGURE NO	(6) NOMENCLATURE	(7) UNIT OF MEAS- URE	(8) QUAN- TITY PER UNIT ASSEM- BLY
GROUP 10—FRONT AXLE—Continued							
1006—FRONT AXLE SHAFTS AND UNIVERSAL JOINTS—Con.							
G-9	8080-17229	-----	SP-17229 WO-A1718	10-6	SHAFT, outer (Rzeppa joint)-----	ea	2
			NP-38373 WO-17359 WO-A6382	10-6	SHAFT, outer (Tracta joint)-----	ea	2
G-9	8080-17121X	-----	SP-17121X WO-A1716 FM-GP3200 FM-GP3200A	-----	SHAFT, outer, w/universal JOINT, assy (Rzeppa joint).	ea	2
G-9	8080-17155-1	-----	SP-17155-1 WO-A862 FM-GP3208A	10-4	SHIM, adjusting, universal joint: (0.010 thk)-----	ea	‡
G-9	8080-17155-2	-----	SP-17155-2 WO-A863 FM-GP3208B	-----	(0.030 thk)-----	ea	‡
G-9	8080-S953	-----	SP-S953 WO-A780 FM-GP3374	10-5	WASHER, thrust, universal joint-----	ea	2



KEY ITEM
 A—HUB, ASSY
 B—PLATE
 C—LINE
 D—TEE
 E—HOUSING, ASSY

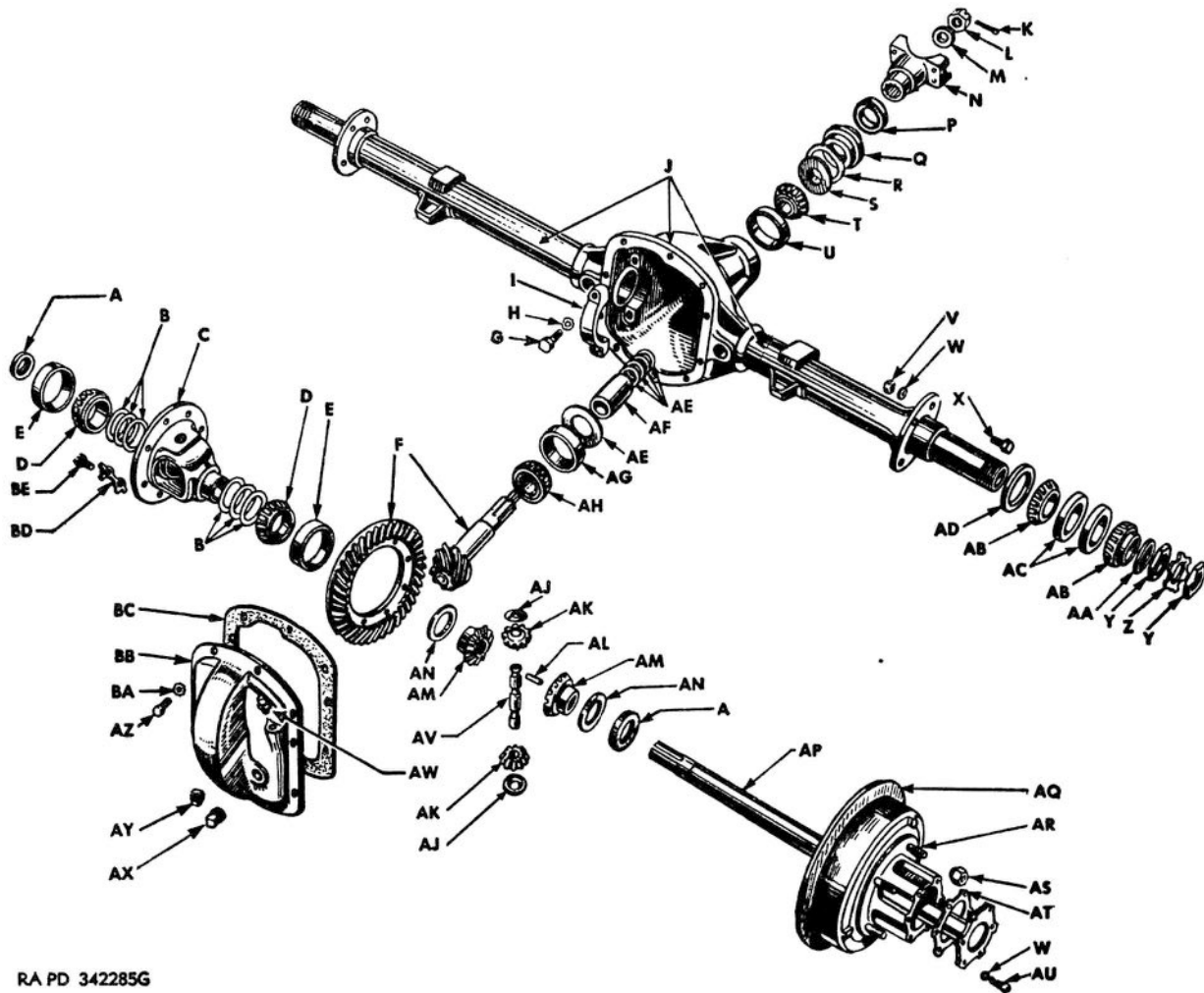
PART NO.	GROUP
KHW-25647	1312
BX-47054	1202
WO-A5225	1204.3
WO-637432	1204.3
SP-17226X	1101

KEY ITEM
 F—HUB, ASSY
 G—SHAFT
 H—BOLT
 J—LINE
 K—COVER

PART NO.	GROUP
KHW-25646	1312
SP-17144-3	1104
KHW-24568	1311
WO-A5226	1204.3
WO-A781	1101

RA PD 28867G

Figure 11-1. Rear axle assembly.

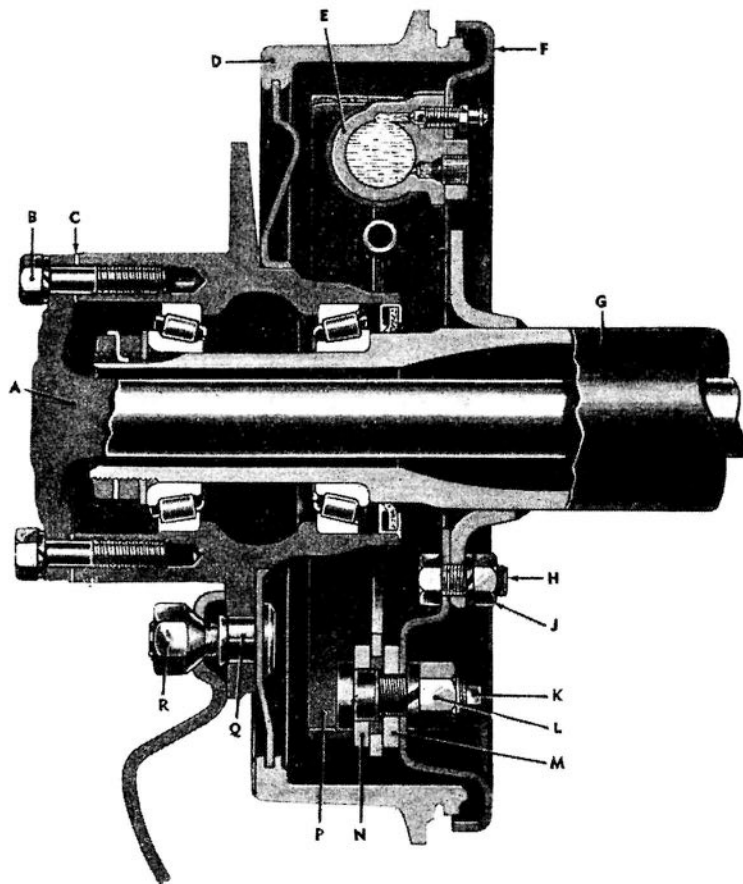


RA PD 342285G

Figure 11-2. Rear axle—exploded view.

Key Item	Part No.	Group	Key Item	Part No.	Group
A—SEAL.....	500030	1104	AC—CUP.....	706836	1311
B—SHIM.....	SP-S58	1102	AD—SEAL.....	500128	1311
C—CASE.....	SP-16383	1102	AE—SHIM.....	SP-112	1102
D—CONE.....	705438	1102	AF—SPACER.....	SP-15367	1102
E—CUP.....	706849	1102	AG—CUP.....	706877	1102
F—GEAR SET.....	SP-16412X	1102	AH—CONE.....	705478	1102
G—SCREW.....	213821	1102	AJ—WASHER.....	SP-16322-2	1102
H—WASHER.....	180447	1102	AK—PINION.....	SP-15926	1102
I—CAP.....	WO-A764	1102	AL—PIN.....	SP-13449	1102
J—HOUSING, ASSY.....	SP-17226X	1101	AM—GEAR.....	SP-16385	1102
K—PIN.....	143222	0900	AN—WASHER.....	SP-16323-2	1102
L—NUT.....	SP-S1135	0900	AP—SHAFT.....	SP-17144-3	1104
M—WASHER.....	SP-S1056	0900	AQ—DRUM.....	KHW-24566	1312
N—YOKE, ASSY.....	SP-K2-4-108X	0900	AR—BOLT.....	KHW-24568	1311
P—SHIELD.....	SP-15099	1102	AS—NUT.....	KHW-24575	1311
Q—SEAL.....	500071	1102	AT—GASKET.....	SP-17146	1104
R—GASKET.....	SP-S171	1102	AU—SCREW.....	SP-6-73-124	1104
S—SLINGER.....	SP-13575	1102	AV—SHAFT.....	SP-16075	1102
T—CONE.....	705271	1102	AW—PLUG.....	SP-16979	1101
U—CUP.....	707063	1102	AX—PLUG.....	103869	1101
V—NUT.....	121932	1202	AY—PLUG.....	113186	1101
W—WASHER.....	120382	1202	AZ—SCREW.....	180077	1101
X—BOLT.....	SP-6-73-513	1202	BA—WASHER.....	120393	1101
Y—NUT.....	SP-17016	1311	BB—COVER.....	WO-A-10231	1101
Z—WASHER.....	SP-17017	1311	BC—GASKET.....	SP-16409	1101
AA—WASHER.....	SP-17015	1311	BD—STRAP.....	SP-16866	1102
AB—CONE.....	705423	1311	BE—SCREW.....	120758	1102

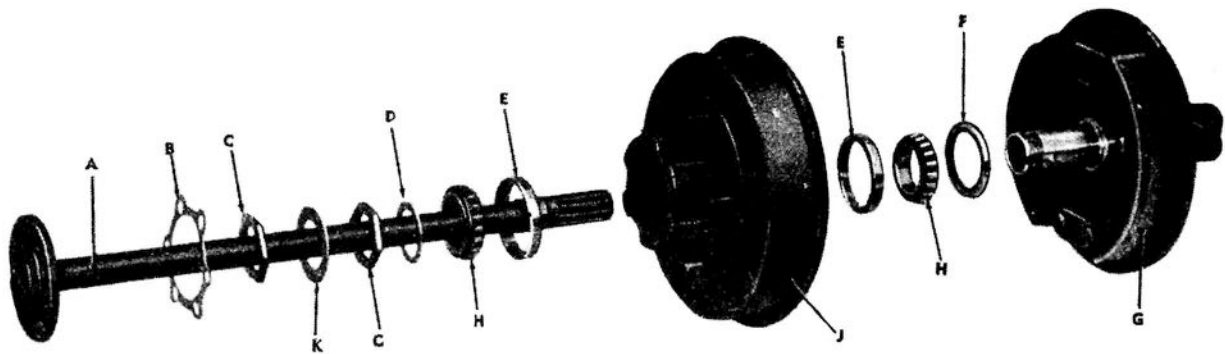
Figure 11-2. Rear axle—exploded view—Continued



KEY ITEM	PART NO.	GROUP
A—{SHAFT, LEFT /SHAFT, RIGHT	{SP-17144-4 /SP-17144-3	{1104 /1104
B—SCREW	SP-6-73-124	1104
C—GASKET	SP-17146	1104
D—{HUB, ASSY LEFT /HUB, ASSY RIGHT	{KHW-25647 /KHW-25646	{1312 /1312
E—CYLINDER, ASSY	LO-FD7568	1204 2
F—PLATE, ASSY	BX-47054	1202
G—HOUSING, ASSY	SP-17226X	1101
H—BOLT	SP-6-73-513	1202
J—NUT	121932	1202
K—PIN	BX-39953	1202
L—NUT	120371	1202
M—PLATE	BX-39956	1202
N—CAM	BX-41876	1202
P—SHOE ASSY	BX-114152	1202
Q—{BOLT LH THREAD /BOLT RH THREAD	{KHW-24569 /KHW-24568	{1311 /1311
R—{NUT LH THREAD /NUT RH THREAD	{KHW-24576 /KHW-24575	{1311 /1311

RA PD 305272G

Figure 11-3. Rear axle—hub assy.



KEY ITEM	PART NO.	GROUP	KEY ITEM	PART NO.	GROUP
A—SHAFT	SP-17144-4	1104	F—SEAL	500128	1311
B—GASKET	SP-17146	1104	G—BRAKE, ASSY	BX-47050	1202
C—NUT	SP-17016	1311	H—CONE	705423	1311
D—WASHER	SP-17015	1311	J—HUB, ASSY	KHW-25647	1312
E—CUP	706836	1311	K—WASHER	SP-17017	1311

RA PD 329142G

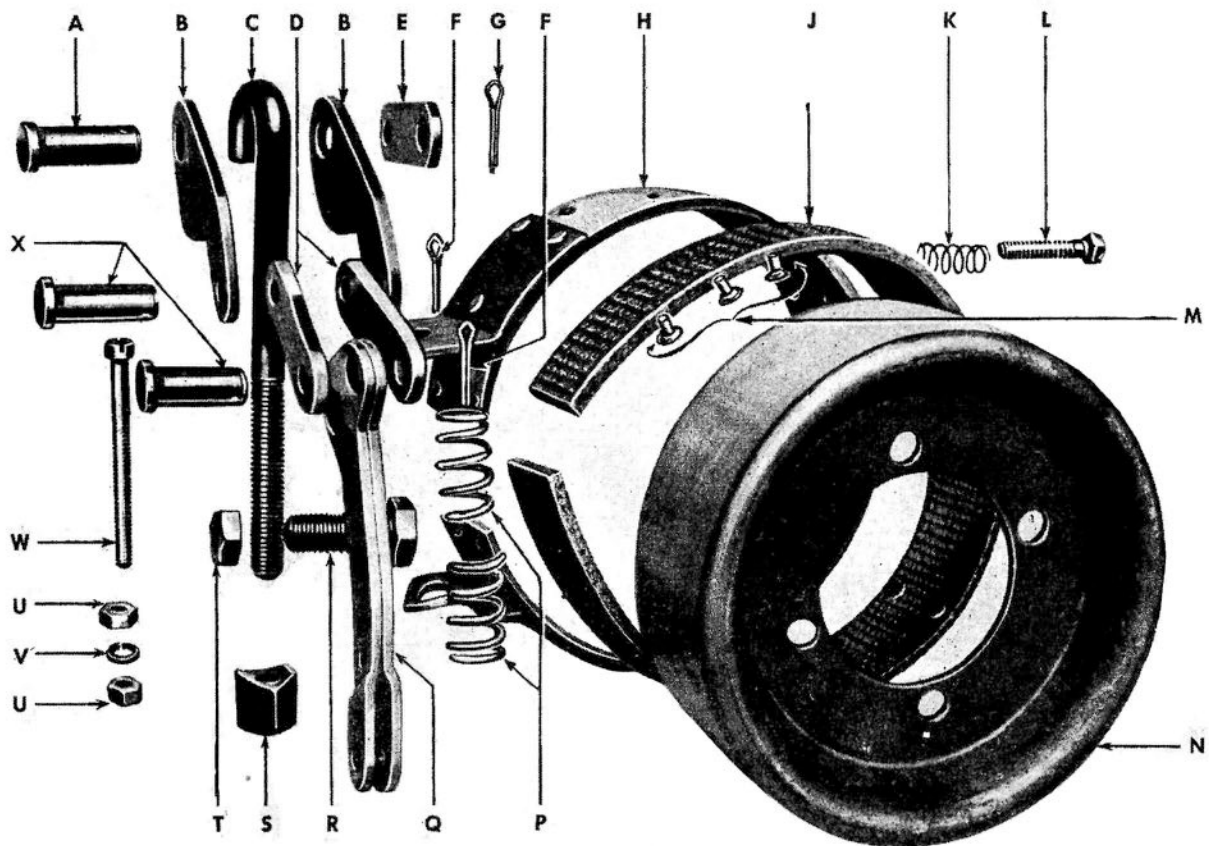
Figure 11-4. Rear axle shaft and brake—exploded view.

(1) NOTE SYMBOL	(2) STOCK NO.	(3) ORDNANCE PART NO.	(4) MFR'S PART NO.	(5) FIGURE NO.	(6) NOMENCLATURE	(7) UNIT OF MEAS- URE	(8) QUAN- TITY PER UNIT ASSEM- BLY
GROUP 11—REAR AXLE							
1100—REAR AXLE ASSEMBLY							
G-9	8080-2051-1	-----	SP-2051-1 WO-A445	-----	AXLE, rear, w/BRAKES, DRUMS, and HUBS, assy.	ea	1
G-9	G503-7703974	7703974	WO-A5500	07-1	AXLE, rear, w/BRAKES, DRUMS, HUBS, and brake line TUBES, assy.	ea	1
1101—REAR AXLE HOUSING, COVERS, AND PLUGS							
			FM-GP4015	-----	COVER, housing (Superseded by COVER WO- A10231).	ea	1
			WO-A781 FM-GP4016	11-1	COVER, housing (Superseded by COVER WO- A10231).	ea	1
G-9	8080-16976	-----	SP-16976 WO-A10231 FM-GP4016A	11-2	COVER, housing-----	ea	1
H-1	H001-5453141	180077	-----	11-2	SCREW, cap, hex-hd, S, cd or zn-pltd, $\frac{1}{16}$ - 18NC-3 x $\frac{3}{4}$.	ea	10
H-1	H001-7043711	120393	-----	11-2	WASHER, plain, SAE std, S, cd or zn-pltd, $\frac{1}{16}$ in.	ea	10
G-9	8080-16409	-----	SP-16409 WO-A782 FM-GP4035	11-2	GASKET, housing cover-----	ea	1
G-9	8080-17226X	-----	SP-17226X WO-A888 FM-GPW4004	11-1, 2, 3	HOUSING, w/TUBE, assy-----	ea	1
G-9	G134-0340397	A283318	SP-16979 WO-A870 FM-GP4022	11-2	PLUG, air vent-----	ea	1
H-6	H006-0283765	113186	-----	11-2	PLUG, pipe, countersunk, MI, $\frac{1}{4}$ in. (drain)-----	ea	1
H-6	H006-0283567	103869	-----	11-2	PLUG, pipe, rd-hd, CI, $\frac{1}{4}$ in. (oil filler)-----	ea	1
1102—REAR AXLE DIFFERENTIAL							
			WO-A764 FM-GP4224	11-2	CAP, case bearing-----	ea	2
H-1	H101-0213821	213821	-----	11-2	SCREW, cap, hex-hd, S, cd or zn-pltd, $\frac{1}{2}$ - 13NC-2 x $2\frac{1}{4}$.	ea	4
H-1	H101-0180447	180447	-----	11-2	WASHER, lock, int-teeth, heavy, S, cd or zn-pltd, $\frac{1}{2}$ in.	ea	4

(1) NOTE SYMBOL	(2) STOCK NO.	(3) ORDNANCE PART NO.	(4) MFR'S PART NO.	(5) FIGURE NO.	(6) NOMENCLATURE	(7) UNIT OF MEAS- URE	(8) QUAN- TITY PER UNIT ASSEM- BLY
GROUP 11—REAR AXLE—Continued							
1102—REAR AXLE DIFFERENTIAL—Continued							
G-9	8080-16383	-----	SP-16383 WO-A793 FM-GP4206	10-3 11-2	CASE, differential.....	ea	1
H-12	H012-6146900	705438	TIM-24780	10-3 11-2	CONE, tapered roller bearing, No. TIM-24780 (Includes rollers and cage, type TS, SR, 1.625 bore, 0.9063 width) (case bearing).	ea	2
H-12	H012-6160380	705478	TIM-31593	11-2	CONE, tapered roller bearing, No. TIM-31593 (Includes rollers and cage, type TS, SR, 1.375 bore, 1.125 width) (drive pinion inner bearing).	ea	1
H-12	H012-6122200	705271	TIM-02872	11-2	CONE, tapered roller bearing, No. TIM-02872 (Includes rollers and cage, type TS, SR, 1.125 bore, 0.875 width) (drive pinion outer bearing).	ea	1
H-12	H012-6220960	706849	TIM-24721	10-3 11-2	CUP, tapered roller bearing, No. TIM-24721 (type TS, SR, 3.000 OD, 0.8125 width) (case bearing).	ea	2
H-12	H012-6224700	706877	TIM-31520	11-2	CUP, tapered roller bearing, No. TIM-31520 (type TS, SR, 3.000 OD, 0.9375 width) (drive pinion inner bearing).	ea	1
H-12	H012-6209700	707063	TIM-02820	11-2	CUP, tapered roller bearing, No. TIM-02820 (type TS, 2.875 OD, 0.6875 width) (drive pinion outer bearing).	ea	1
	G503-7744948	7744948	SP-16969X FM-GP4207	-----	DIFFERENTIAL, assy (Does not include drive GEAR and PINION).	ea	1
G-9	8080-16968X	-----	SP-16968X WO-A788 FM-GPW4212	-----	DIFFERENTIAL, assy (Includes drive GEAR and PINION).	ea	1
G-9	8080-S171	-----	SP-S171 WO-636565 FM-GP4661	11-2	GASKET, drive pinion shaft oil seal.....	ea	1
G-9	8080-16385	-----	SP-16385 WO-A794 FM-GPW4236	10-3 11-2	GEAR, side (16T., 2.758 OD).....	ea	2
G-9	8080-16412X	-----	SP-16412X WO-A789 FM-GPW4209	11-2	GEAR SET, differential drive (Consists of matched ring GEAR and PINION).	ea	1
H-1	H001-5421241	120758	-----	10-3 11-2	SCREW, cap, hex-hd, S, cd or zn-pltd, 3/8- 24NF-3 x 3/4.	ea	8

G-9	8080-16866		SP-16866 WO-A792 FM-GP4281	10-3 11-2	STRAP, locking_-----	ea	4
G-9	8080-13449		SP-13449 WO-636360 FM-GP4241	11-2	PIN, locking, pinion shaft_-----	ea	1
G-9	8080-15926		SP-15926 WO-A796 FM-GPW4215	10-3 11-2	PINION, differential (10T, 1.14 OD)_-----	ea	2
H-13	H013-0500071	500071		11-2	SEAL, oil, type MLS, 1 $\frac{1}{16}$ x 3.165 x 1 $\frac{3}{32}$ (drive pinion).	ea	1
G-9	8080-16075		SP-16075 WO-A798 FM-GP4211	10-3 11-2	SHAFT, differential pinions_-----	ea	1
G-9	8080-15099		SP-15099 WO-636568 FM-GP4666	11-2	SHIELD, dust, drive pinion_-----	ea	1
G-9	8080-S58		SP-S58 WO-A784 FM-GP4229A	10-3 11-2	SHIM, case bearing (0.003 thk)_-----	ea	‡
G-9	8080-S59		SP-S59 WO-A785 FM-GP4229B		(0.005 thk)_-----	ea	‡
G-9	8080-S74		SP-S74 WO-A786 FM-GP4229C		(0.010 thk)_-----	ea	‡
G-9	8080-S75		FM-GP4229E SP-S75 WO-A787 FM-GP4229D		(0.015 thk)_----- (0.030 thk)_-----	ea ca	‡ ‡
G-9	8080-S112		SP-S112 WO-A800 FM-GP4660A	11-2	SHIM, drive pinion inner bearing (0.003 thk)_-----	ea	‡
G-9	8080-S113		SP-S113 WO-A801 FM-GP4660B		(0.005 thk)_-----	ea	‡
G-9	8080-S114		SP-S114 WO-A802 FM-GP4660C		(0.010 thk)_-----	ea	‡
G-9	8080-S638		SP-S638 WO-A803 FM-GP4659A		SHIM, drive pinion outer bearing (0.003 thk)_-----	ea	‡
G-9	8080-S638-1		SP-S638-1 WO-A804 FM-GP4659B		(0.005 thk)_-----	ea	‡

(1) NOTE SYMBOL	(2) STOCK NO.	(3) ORDNANCE PART NO.	(4) MFR'S PART NO.	(5) FIGURE NO.	(6) NOMENCLATURE	(7) UNIT OF MEAS- URE	(8) QUAN- TITY PER UNIT ASSEM- BLY
					GROUP 11—REAR AXLE—Continued 1102—REAR AXLE DIFFERENTIAL—Continued		
G-9	8080-S638-2		SP-S638-2 WO-A805 FM-GP4659C		SHIM—Continued (0.010 thk) -----	ea	‡
G-9	8080-S638-3		SP-S638-3 WO-A806 FM-GP4659D		(0.030 thk) -----	ea	‡
G-9	8080-13575		SP-13575 WO-636566 FM-GP4619	11-2	SLINGER, oil, drive pinion bearing -----	ea	1
G-9	8080-15367		SP-15367 WO-A799 FM-GP4668	11-2	SPACER, drive pinion bearings -----	ea	1
G-9	8080-16323-2		SP-16323-2 WO-A795 FM-GP4228	10-3 11-2	WASHER, thrust, side gear -----	ea	2
G-9	8080-16322-2		SP-16322-2 WO-A797 FM-GP4230	10-3 11-2	WASHER, thrust, differential pinion -----	ea	2
G-9	8080-17146		SP-17146 WO-A904 FM-GP4032	11-2, 3, 4	1104—REAR AXLE SHAFTS AND RELATED PARTS GASKET, shaft, outer end -----	ea	2
			SP-17377 WO-A6439 FM-GPW4259		GUIDE, shaft -----	ea	2
H-13	H013-0500030	500030		11-2	SEAL, oil, type MW, 1 $\frac{3}{16}$ x 2.000 x $\frac{1}{4}$ (axle shaft inner).	ea	2
G-9	G503-0384602		SP-17144-4 WO-A902 FM-GPW4235	11-3, 4	SHAFT, left -----	ea	1
G-9	G503-0384601		SP-17144-3 WO-A901 FM-GPW4234	11-1, 2, 3	SHAFT, right -----	ea	1
G-9	8080-6-73-124		SP-6-73-124 WO-A760 FM-GPW1110	11-2, 3	SCREW, special, hex-hd, S, $\frac{3}{8}$ -16NC-3 x 1 $\frac{1}{2}$..	ea	12
H-1	H001-7025741	120382			WASHER, lock, med, S, cd or zn-pltd, $\frac{3}{4}$ in. ..	ea	12



KEY ITEM

- A—PIN
- B—CAM
- C—BOLT
- D—LINK
- E—LINK
- F—PIN
- G—PIN
- H—BAND, ASSY
- J—LINING
- K—SPRING
- L—BOLT

PART NO.

- SP-232SP
- SP-5B15
- SP-10B18
- WO-A1228
- SP-3Q74
- 103374
- 103384
- SP-5900X
- SP-4B26
- SP-14B6
- SP-887D

KEY ITEM

- M—RIVET
- N—DRUM
- P—SPRING
- Q—CRANK
- R—BOLT
- S—NUT
- T—NUT
- U—NUT
- V—WASHER
- W—SCREW
- X—PIN

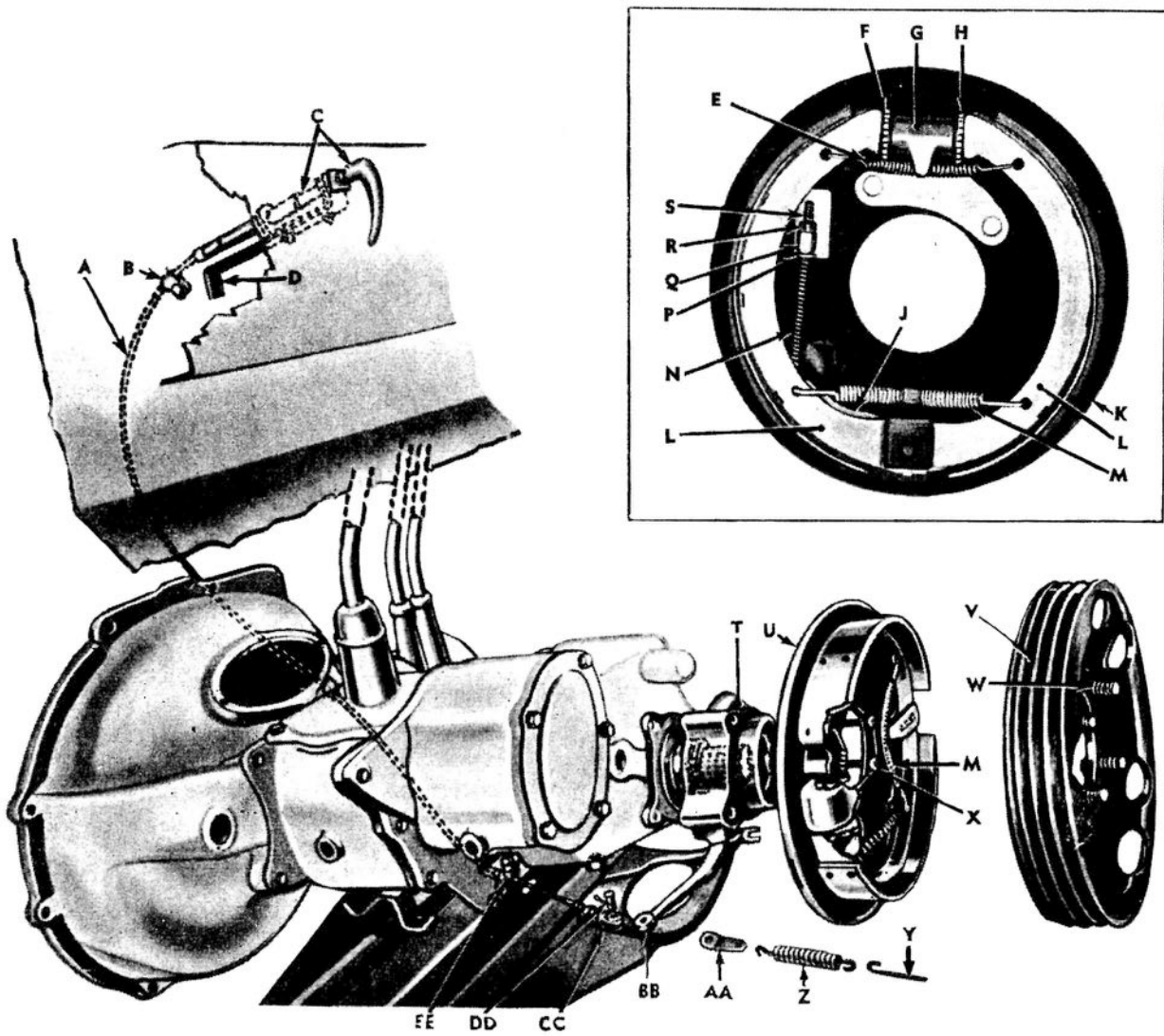
PART NO.

- SP-238R
- SP-20B62
- SP 12B5
- SP-5B16
- WO-A1227
- SP-373J
- 124929
- 120375
- 120380
- SP-856D
- SP-3Q76

ALL PARTS LISTED IN GROUP 1201

RA PD 342258G

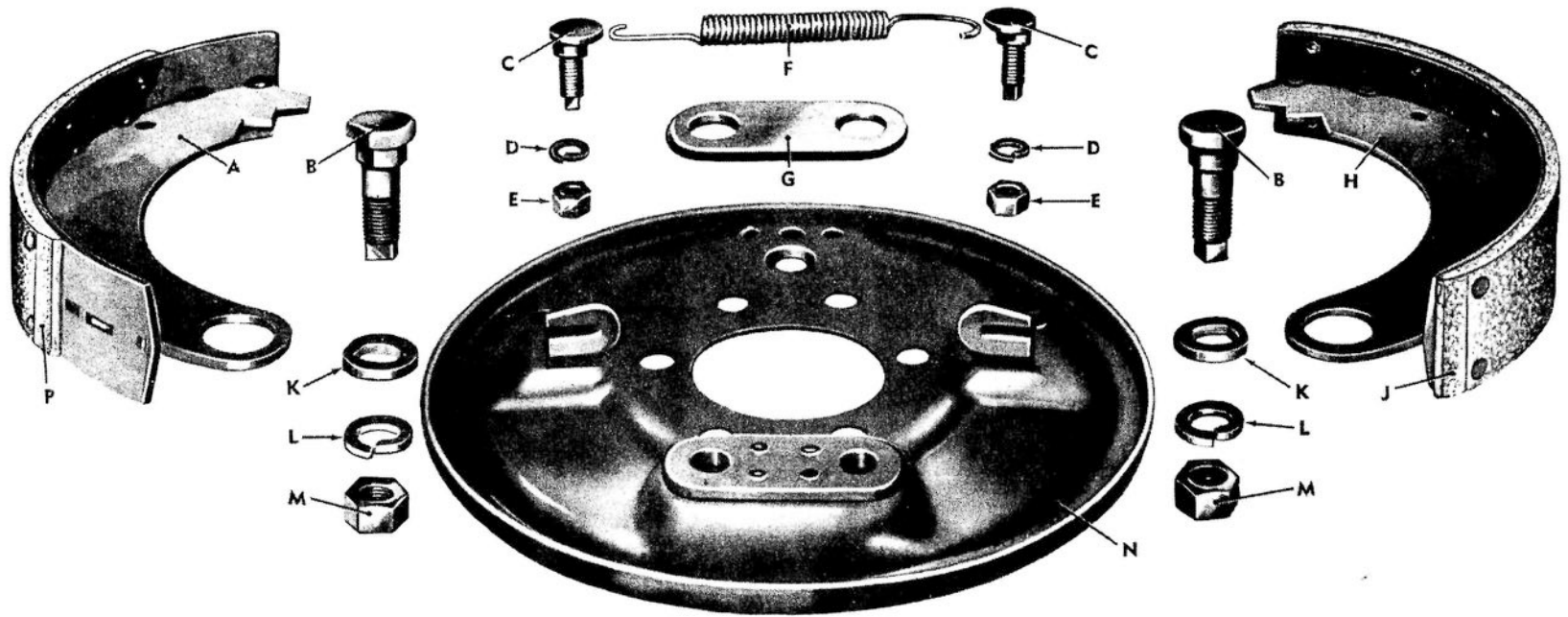
Figure 12-1. Hand brake, external contracting type—exploded view.



KEY ITEM	PART NO.	GROUP	KEY ITEM	PART NO.	GROUP
A—CABLE, ASSY	WO-A15149	1201.2	R—NUT	A304426	1201.2
B—CLAMP	WO-A1735	1201.2	S—LINK	A304419	1201.2
C—HANDLE, ASSY	WO-A15150	1201.2	T—CAP, ASSY	SP-18-19-28	0801
D—BRACKET	WO-639010	1201.2	U—BRAKE, ASSY	D72450	1201.2
E—SPRING	A304423	1201.2	V—DRUM	SP-20B73	1201.2
F—SCREW	B264302B	1201.2	W—BOLT	SP-6-73-122	1201.2
G—BRACKET	B264301	1201.2	X—BOLT	WO-A9337	0801
H—SCREW	B264302A	1201.2	Y—LINK	WO-A8860	1201.2
J—LEVER	B264303	1201.2	Z—SPRING	WO-A5335	1201.2
K—PLATE, ASSY	C127233	1201.2	AA—CLIP	WO-641921	1201.2
L—SHOE, ASSY	C127234	1201.2	BB—LEVER, ASSY	SP-6563X	1201.2
M—SPRING	A304422	1201.2	CC—CLEVIS	WO-6599	1201.2
N—SPRING	A304421	1201.2	DD—PIN	WO-A15137	1201.2
P—WASHER	A304427	1201.2	EE—CLAMP	WO-A8847	1201.2
Q—NUT	A304420	1201.2			

RA PD 355074

Figure 12-2. Hand brake, internal expanding type.



KEY ITEM
A—SHOE, ASSY
B—PIN
C—ECCENTRIC
D—WASHER
E—NUT
F—SPRING
G—PLATE

PART NO.
 BX-1141S2
 BX-39953
 BX-45771
 120382
 120369
 BX-41545
 BX39956

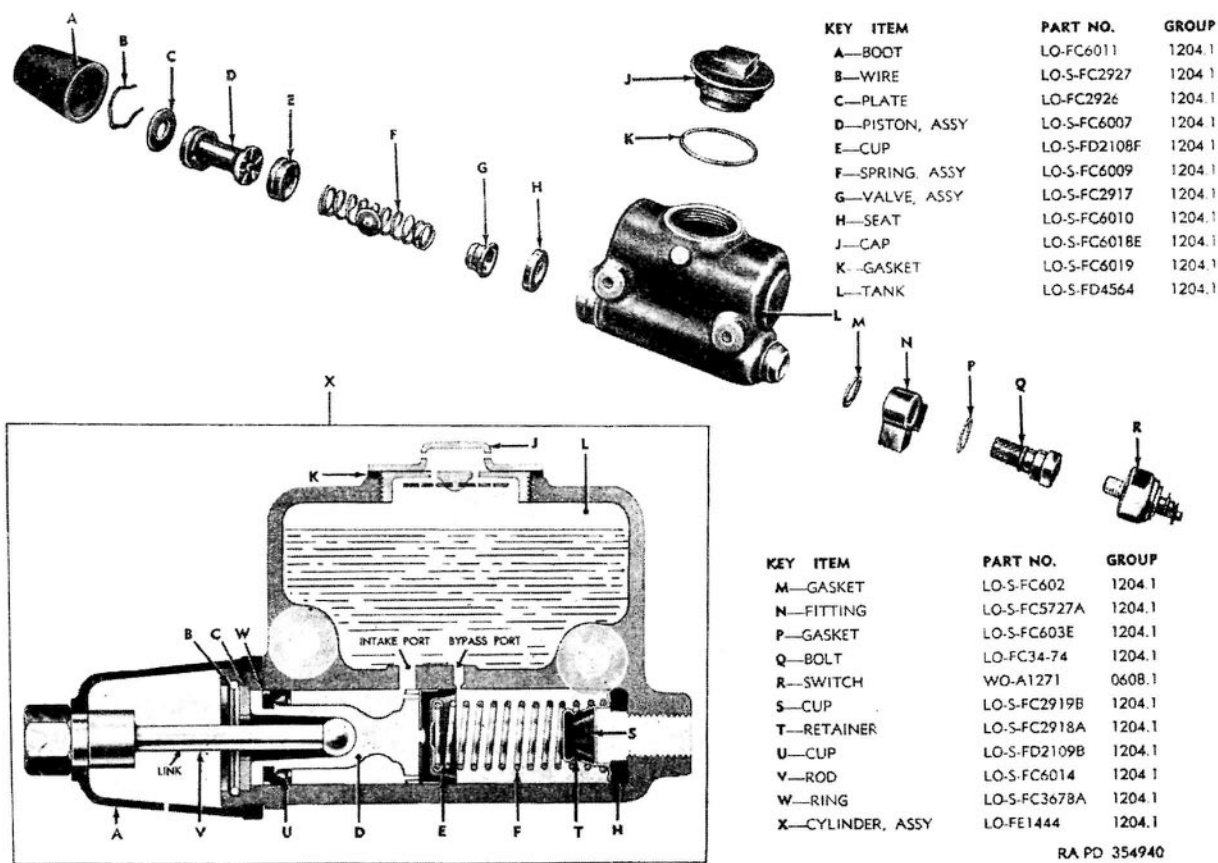
KEY ITEM
H—SHOE, ASSY
J—LINING
K—CAM
L—WASHER
M—NUT
N—PLATE, ASSY
P—LINING

PART NO.
 BX-1141S1
 BX-1067S3
 BX-41876
 120384
 120371
 BX-47054
 BX-1067S4

ALL PARTS LISTED IN GROUP 1202

RA PD 342286G

Figure 12-3. Wheel brake—exploded view.



RA PD 354940

Figure 12-4. Brake master cylinder—exploded view.

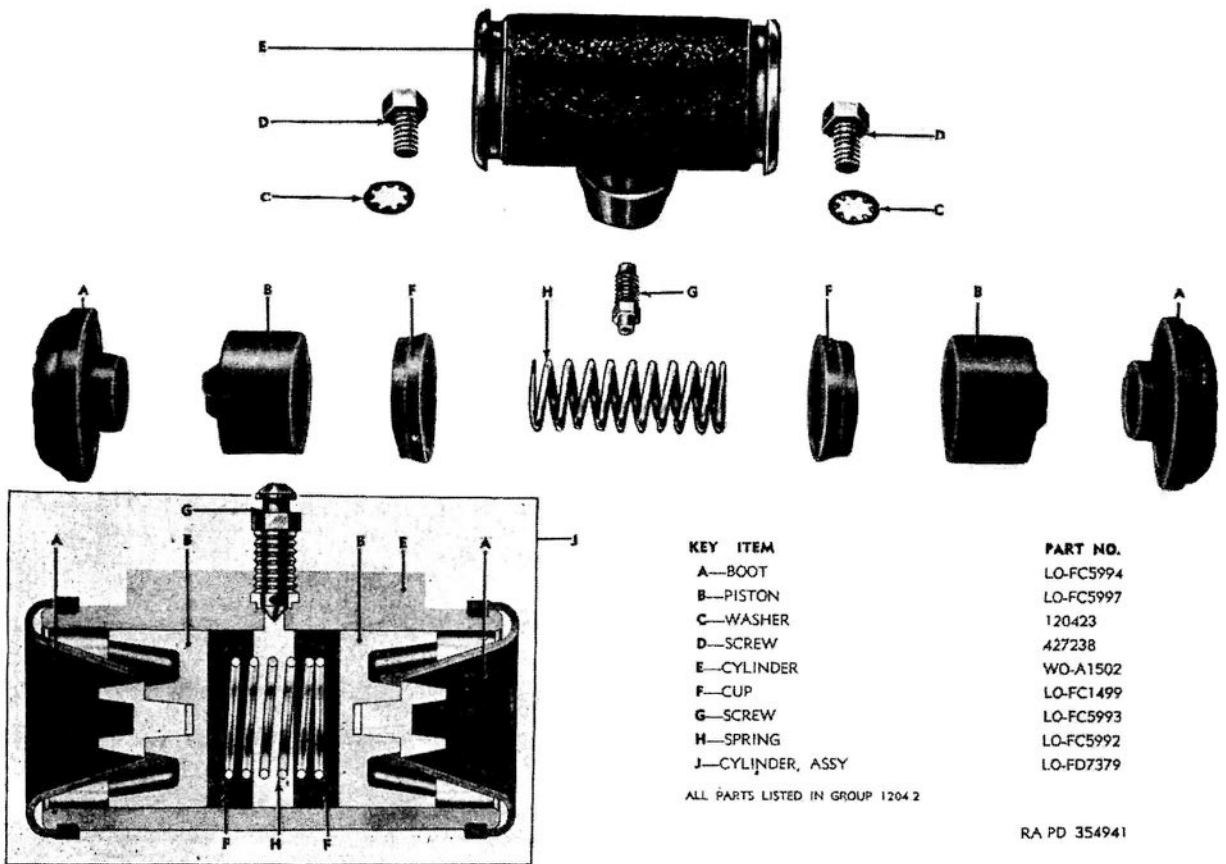


Figure 12-5. Brake wheel cylinder—exploded view.

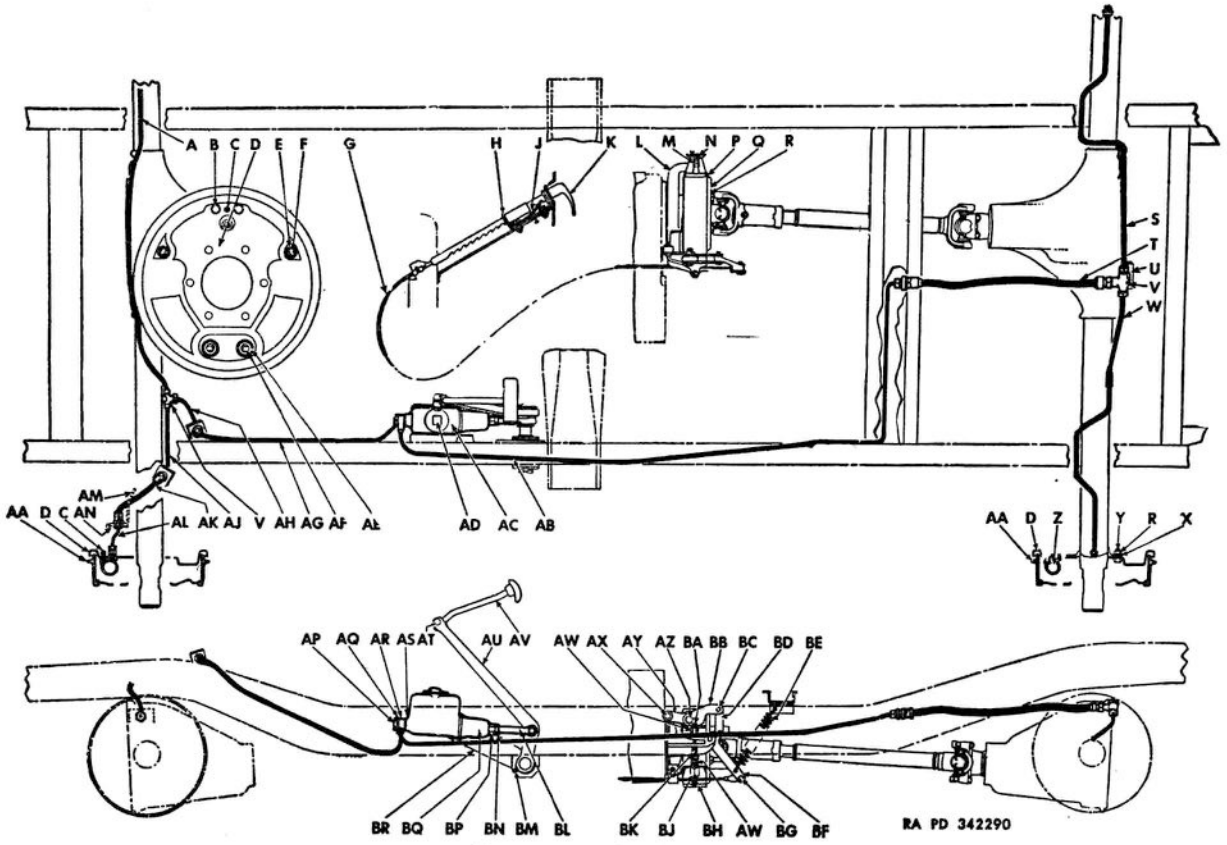


Figure 12-6. Brake system.

1

Key Item	Part No.	Group	Key Item	Part No.	Group
A—LINE, ASSY.....	WO-A1376	1204. 3	AJ—LINE, ASSY.....	WO-A1501	1204. 3
B—SCREW.....	427238	1204. 2	AK—LINE, ASSY.....	LO-FC8553	1204. 3
C—SCREW.....	LO-FC5993	1204. 2	AL—LINE, ASSY.....	WO-A1488	1204. 3
D—PLATE, ASSY.....	BX-47054	1202	AM—GUARD.....	WO-A1457	1204. 3
E—NUT.....	120369	1202	AN—CLIP.....	WO-637427	1204. 3
F—ECCENTRIC.....	BX-45771	1202	AP—BOLT.....	LO-FC-34-74	1204. 1
G—CABLE, ASSY.....	WO-A1241	1201. 1	AQ—GASKET.....	LO-S-FC603E	1204. 1
H—BRACKET, ASSY..	WO-639010	1201. 1	AR—FITTING.....	LO-FC5727A	1204. 1
J—SPRING.....	WO-635681	1201. 1	AS—GASKET.....	LO-S-FC602	1204. 1
K—HANDLE, ASSY....	WO-A1242	1201. 1	AT—SCREW.....	180081	1204. 1
L—CAP.....	SP-6452X	0801	AU—PEDAL, ASSY....	WO-A1386	1204. 1
M—SPRING.....	SP-14B6	1201. 1	AV—PAD, ASSY.....	WO-A1359	1204. 1
N—BOLT.....	SP-887D	1201. 1	AW—SPRING.....	SP-12B5	1201. 1
P—BAND, ASSY.....	SP-5900X	1201. 1	AX—PIN.....	SP-153SP	1201. 1
Q—DRUM.....	SP-20B62	1201. 1	AY—LINK.....	SP-3Q74	1201. 1
R—NUT.....	121932	1201. 1	AZ—PIN.....	SP-232SP	1201. 1
S—LINE, ASSY.....	WO-A5226	1204. 3	BA—SCREW.....	SP-856D	1201. 1
T—LINE, ASSY.....	LO-FC5784	1204. 3	BB—CAM.....	SP-5B15	1201. 1
U—BRACKET.....	WO-A5227	1204. 3	BC—PIN.....	SP-3Q76	1201. 1
V—TEE.....	LO-FC5778	1204. 3	BD—LINK.....	WO-A1228	1201. 1
W—LINE, ASSY.....	WO-A5225	1204. 3	BE—SPRING.....	WO-A5335	1201. 1
X—WASHER.....	120382	1202	BF—CRANK, ASSY....	SP-5B16	1201. 1
Y—BOLT.....	SP-6-73-513	1202	BG—PIN.....	WO-392468	1201. 1
Z—CYLINDER, ASSY..	LO-FD7568	1204. 2	BH—BOLT.....	SP-10B18	1201. 1
AA—DRUM.....	KHW-24566	1312	BJ—NUT.....	SP-373J	1201. 1
AB—LINE, ASSY.....	WO-A5224	1204. 3	BK—NUT.....	120375	1201. 1
AC—CYLINDER, ASSY..	LO-FE1444	1204. 1	BL—BOLT.....	WO-A183	1204. 1
AD—CAP, ASSY.....	LO-S-FC6018E	1204. 1	BM—FITTING.....	45-F-448-200	1204. 1
AE—NUT.....	120371	1202	BN—NUT.....	121949	1204. 1
AF—PIN.....	BX-39953	1202	BP—ROD.....	LO-S-FC6014	1204. 1
AG—LINE, ASSY.....	WO-A1377	1204. 3	BQ—BOOT.....	LO-FC6011	1204. 1
AH—LINE, ASSY.....	LO-FC8502	1204. 3	BR—BAR.....	WO-A1354	1204. 1

Figure 12-6. Brake system—Continued.

(1) NOTE SYMBOL	(2) STOCK NO.	(3) ORDNANCE PART NO.	(4) MFR'S PART NO.	(5) FIGURE NO.	(6) NOMENCLATURE	(7) UNIT OF MEAS- URE	(8) QUAN- TITY PER UNIT ASSEM- BLY
GROUP 12-BRAKES							
1201.1-HAND BRAKES, EXTERNAL CONTRACTING TYPE							
G-9	8080-5900X	-----	SP-5900X WO-A1009 FM-GP2648	12-1, 6	BAND, w/LINING, assy-----	ea	1
H-1	H001-4167501	120375	-----	12-1, 6	NUT, hex, light, s-fin, S, cd or zn-pltd, ¼- 20NC-2.	ea	2
G-9	G503-7324917	7324917	SP-856D WO-A1019 FM-355352S7	12-1, 6	SCREW, fil-hd, S, cd-pltd, ¼-20NC-2 x 2¾---	ea	1
H-1	H001-7025681	120380	-----	12-1	WASHER, lock, med, S, cd or zn-pltd, ¼ in.---	ea	1
G-9	8080-10B18	-----	SP-10B18 WO-A1016 FM-01T2642	12-1, 6	BELLCRANK (See CRANK, cable) BOLT, adjusting, band (Also known as ROD)---	ea	1
G-9	G503-7702744	7702744	SP-887D WO-A1020 FM-01T2616 FM-GPW2616	12-1, 6	BOLT, adjusting band anchor clip (hex-hd, S, ⅝-18NC-2 x 1½).	ea	1
G-9	3320-GPW2848	-----	WO-639010 FM-GPW2848	12-6	BRACKET, ratchet, w/GUIDE and SPRING, assy.	ea	1
H-1	H001-4167561	120368	-----	-----	NUT, hex, light, s-fin, S, cd or zn-pltd, ⅝- 24NF-2.	ea	2
H-1	H001-5419821	120741	-----	-----	SCREW, cap, hex-hd, S, cd or zn-pltd, ⅝- 24NF-3 x ¾.	ea	2
H-1	H001-7025711	120214	-----	-----	WASHER, lock, med, S, cd or zn-pltd, ⅝ in.---	ea	2
H-1	H001-7045561	120387	-----	-----	WASHER, plain, US std, S, cd or zn-pltd, ⅝ in.	ea	2
G-9	8080-5815X	-----	SP-5815X WO-A1008 FM-GPW2598	01-2	BRAKE, hand, external contracting type, assy-----	ea	1
G-9	3320-GPW2853	-----	WO-A1241 FM-GPW2853	07-1 12-6	CABLE, w/TUBE, assy-----	ea	1
G-9	G503-7324851	7324851	WO-392468 FM-357553S18	12-6	PIN, clevis, S, ¼ x ¾ (cable to crank)-----	ea	1
H-1	H001-0811026	107761	-----	-----	PIN, cotter, split, S, ⅝ x ¾-----	ea	1

G-9	8080-5B15		SP-5B15 WO-A1003 FM-GPW2632	12-1, 6	CAM, operating	ea	2
			WO-A1735 FM-GPW2272		CLAMP, cable tube (at air cleaner bracket)	ea	1
G-9	G503-7697855	7697855	WO-638780 FM-GPW2279		CLAMP, cable tube (at transfer case rear bearing cap).	ea	1
H-1	H001-4167561	120368			NUT, hex, light s-fin, S, cd or zn-pltd, $\frac{5}{16}$ -24NF-2.	ea	1
H-1	H001-5026421	213907			SCREW, cap, hex-hd, S, cd or zn-pltd, $\frac{5}{16}$ -24NF-2 x $\frac{7}{8}$.	ea	2
H-1	H001-7025711	120214			WASHER, lock, med, S, cd or zn-pltd, $\frac{5}{16}$ in.	ea	2
H-1	H001-7043711	120393			WASHER, plain, SAE std, S, cd or zn-pltd, $\frac{5}{16}$ in.	ea	1
			WO-A5393 FM-GPW2270B		CLIP, support, cable tube (at flywheel housing)	ea	1
			WO-A1795 FM-GPW2270A		CLIP, support, cable tube (at rear engine insulator)	ea	1
H-1	H001-5025501	214001			SCREW, cap, hex-hd, S, cd or zn-pltd, $\frac{1}{4}$ -20NC-2 x $\frac{1}{2}$.	ea	2
H-1	H001-7025681	120380			WASHER, lock, med, S, cd or zn-pltd, $\frac{1}{4}$ in.	ea	2
G-9	8080-5B16		SP-5B16 WO-A1226 FM-GPW2656	12-1, 6	CRANK, cable, assy	ea	1
G-9	3320-355752S		WO-A1227 FM-355752S	12-1	BOLT, shoulder, hex-hd, S, $\frac{3}{16}$ -20NF-2 x $1\frac{1}{2}$.	ea	1
H-1	H001-4185641	124929		12-1	NUT, jam, hex, light, s-fin, S, cd or zn-pltd, $\frac{3}{16}$ -20NF-2.	ea	2
G-9	8080-20B62		SP-20B62 WO-A1002 FM-GP2614	08-2 12-1, 6	DRUM, hand brake	ea	1
G-9	G503-7324918	7324918	SP-6-73-218 WO-A997 FM-355551S		BOLT, hex-hd, S, $\frac{3}{8}$ -24NF-3 x $1\frac{1}{8}$.	ea	4
H-1	H001-4171601	121932		12-6	NUT, hex, light, s-fin, S, cd or zn-pltd, $\frac{3}{8}$ -24NF-3.	ea	4
H-1	H001-7025741	120382			WASHER, lock, med, S, cd or zn-pltd, $\frac{3}{8}$ in.	ea	4
G-9	3320-GPW2782		WO-639244 FM-GPW2782	18-2	HANDLE, cable, assy	ea	1
H-1	H101-0145378	145378			SCREW, drive, metallic, rd-hd, S, cd or zn-pltd, No. 6 x $\frac{5}{16}$.	ea	1
G-9	3320-GPW2780		WO-A1242 FM-GPW2780	12-6	HANDLE, w/CABLE and TUBE, assy	ea	1
H-1	H001-4167501	120375			NUT, hex, light, s-fin, S, cd or zn-pltd, $\frac{1}{4}$ -20NC-2.	ea	2
H-1	H001-5025511	216915			SCREW, cap, hex-hd, S, cd or zn-pltd, $\frac{1}{4}$ -20NC-2 x $\frac{5}{8}$.	ea	2

(1) NOTE SYMBOL	(2) STOCK NO.	(3) ORDNANCE PART NO.	(4) MFR'S PART NO.	(5) FIGURE NO.	(6) NOMENCLATURE	(7) UNIT OF MEAS- URE	(8) QUAN- TITY PER UNIT ASSEM- BLY
GROUP 12—BRAKES—Continued							
1201.1—HAND BRAKES, EXTERNAL CONTRACTING TYPE—Con.							
HANDLE—Continued							
H-1	H001-7025681	120380			WASHER, lock, med, S, cd or zn-pltd, ¼ in.	ea	2
G-9	8080-4B26		SP-4B26	12-1	LINING, brake band	ea	1
			WO-A1014				
			FM-GP2620				
			SP-238R	12-1	RIVET, tubular, ck-hd, br. ¼ x ⅙	ea	14
			WO-A1015				
			FM-64647S				
G-9	3320-GPW2659		WO-A1228	12-1, 6	LINK, cable crank to operating cam	ea	2
			FM-GPW2659				
G-9	G503-7324852	7324852	SP-3Q76	12-1, 6	PIN, clevis, S, ⅙ x 1	ea	2
			WO-311003				
			FM-73904S7				
H-1	H001-0811040	103374		12-1	PIN, cotter, split, S, ⅜ x 1	ea	2
G-9	8080-3Q74		SP-3Q74	12-1, 6	LINK, operating cam to transfer case	ea	1
			WO¼A1005				
			FM-GPW2630				
G-9	8080-232SP		SP-232SP	12-1, 6	PIN, clevis, S, ½ x 1⅙ (to operating cam)	ea	1
			WO-A1004				
			FM-73928S7				
G-9	8080-153SP		SP-153SP	12-6	PIN, clevis, S, ⅜ x ⅞ (to transfer case)	ea	1
			WO-A1006				
			FM-73889S7				
H-1	H001-0811050	103384		12-1	PIN, cotter, split, S, ⅙ x ¼	ea	1
H-1	H001-0811715	108636			PIN, cotter, split, S, ⅜ x 1⅙	ea	1
G-9	8080-373J		SP-373J	12-1, 6	NUT, adjusting, band (special)	ea	1
			WO-A1018				
			FM-01T2805				
G-9	G503-7702743	7702743	SP-14B6	12-1, 6	SPRING, band anchor clip bolt	ea	1
			WO-A1021				
			FM-01T2640				
G-9	3320-GPW2793		WO-635681	12-6	SPRING, cable handle ratchet	ea	1
			FM-GPW2793				
G-9	G503-7702745	7702745	SP-12B5	12-1, 6	SPRING, release, band	ea	2
			WO-A1017				
			FM-01T2634				

G-9	3320-GPW2635		WO-A5335 FM-GPW2635	12-6	SPRING, retracting, cable end	ea	1
			WO-A2892 FM-GPW2852		SUPPORT, ratchet tube bracket	ea	1
H-1	H001-0924143	102677			RIVET, b-hd, S, $\frac{1}{4}$ x $\frac{1}{16}$	ea	2
					1201.2—HAND BRAKES, INTERNAL EXPANDING TYPE		
G-9	8080-18-24-4		SP-18-24-4 WO-A17253 FM-GPW2660		BEARING, bushing type, operating lever	ea	1
G-9	0820-47667	B264301	BX-47667 WO-A10330 FM-GPW2606	12-2	BRACKET, adjusting screw, assy	ea	1
		A304428	BX-900110		SCREW, cap, hex-hd, S, $\frac{5}{16}$ -24NF-3 x $\frac{1}{16}$	ea	1
H-1	H001-7025741	120382			WASHER, lock, med, S, cd or zn-pltd, $\frac{3}{8}$ in.	ea	1
G-9	3320-GPW2848		WO-639010 FM-GPW2848	12-2	BRACKET, ratchet, w/GUIDE and SPRING, assy.	ea	1
H-1	H001-4167561	120368			NUT, hex, light, s-fin, S, cd or zn-pltd, $\frac{5}{16}$ -24NF-2.	ea	2
H-1	H001-5419821	120741			SCREW, cap, hex-hd, S, cd or zn-pltd, $\frac{5}{16}$ -24NF-3 x $\frac{1}{4}$.	ea	2
H-1	H001-7025711	120214			WASHER, lock, med, S, cd or zn-pltd, $\frac{5}{16}$ in.	ea	2
H-1	H001-7045561	120387			WASHER, plain, US std., S, cd or zn-pltd, $\frac{5}{16}$ in.	ea	2
		D72450	BX-47660 WO-A9333 FM-GPW2598B	12-2	BRAKE, hand, internal expanding type, assy	ea	1
G-9	3320-GPW2853B		WO-A15149 FM-GPW2853B	12-2	CABLE, w/TUBE, assy	ea	1
G-9	G503-7324852	7324852	SP-3Q76 WO-311003 FM-73904S7		PIN, clevis, S, $\frac{5}{16}$ x 1	ea	1
H-1	H001-0811040	103374			PIN, cotter, split, S, $\frac{3}{32}$ x 1	ea	1
			WO-A1735 FM-GPW2272	12-2	CLAMP, cable tube (at air cleaner bracket)	ea	1
			WO-A8847 FM-GPW2272	12-2	CLAMP, cable tube (at cross member)	ea	1
H-1	H001-4167561	120368			NUT, hex, light, s-fin, S, cd or zn-pltd, $\frac{5}{16}$ -24NF-2.	ea	2
H-1	H001-5026421	213907			SCREW, cap, hex-hd, S, cd or zn-pltd, $\frac{5}{16}$ -24NF-2 x $\frac{5}{16}$.	ea	1
H-1	H101-0213913	213913			SCREW, cap, hex-hd, S, cd or zn-pltd, $\frac{5}{16}$ -24NF-2 x 1 $\frac{1}{4}$.	ea	1
H-1	H001-7025711	120214			WASHER, lock, med, S, cd or zn-pltd, $\frac{5}{16}$ in.	ea	2
H-1	H001-7043711	120393			WASHER, plain, SAE std, S, cd or zn-pltd, $\frac{5}{16}$ in.	ea	1

(1) NOTE SYMBOL	(2) STOCK NO.	(3) ORDNANCE PART NO.	(4) MFR'S PART NO.	(5) FIGURE NO.	(6) NOMENCLATURE	(7) UNIT OF MEAS- URE	(8) QUAN- TITY PER UNIT ASSEM- BLY
GROUP 12—BRAKES—Continued							
1201.2—HAND BRAKES, INTERNAL EXPANDING TYPE—Con.							
H-1	H001-1810030	104037	WO-6599 WO-641921 WO-A5393 FM-GPW2270B	12-2 12-2	CLEVIS (see YOKE). CLIP, operating lever retracting spring..... CLIP, support, cable tube.....	ea ea	1 1
H-1	H001-5025501	214001			SCREW, cap, hex-hd, S, cd or zn-pltd, 1/4-20NC-2 x 1/2.	ea	1
H-1	H001-7025681	120380			WASHER, lock, med, S, cd or zn-pltd, 1/4 in.	ea	1
G-9	3320-GPW2614		SP-20B73 WO-A9332 FM-GPW2614	12-2	DRUM, hand brake.....	ea	1
G-9	8080-6-73-122		SP-6-73-122 WO-A6084 FM-350311S	12-2	BOLT, hex-hd, S, 3/8-24NF-3 x 1 1/2.....	ea	4
H-1	H001-4171601	121932			NUT, hex, light, s-fin, S, cd or zn-pltd, 3/8-24NF-3.	ea	4
H-1	H001-7025741	120382			WASHER, lock, med, S, cd or zn-pltd, 3/8 in.	ea	4
G-9	3320-GPW2784		SP-18-223-6 WO-A10052 FM-GPW2784		GASKET, backing plate to transfer bearing cap.....	ea	1
G-9	3320-GPW2782		WO-639244 FM-GPW2782		HANDLE, cable.....	ea	1
H-1	H101-0145378	145378			SCREW, drive, metallic, rd-hd, S, cd or zn-pltd, No. 6 x 3/16.	ea	1
G-9	3320-GPW2774		WO-A15150 FM-GPW2774	12-2	HANDLE, cable, w/ratchet TUBE, assy.....	ea	1
G-9	0820-47670	B264303	BX-47670 WO-A10333 FM-GPW2632B	12-2	LEVER, cam.....	ea	1
G-9	8080-6563X		SP-6563X WO-A17254 FM-GPW2653 SP-58J WO-A5781 FM-33979S	12-2	LEVER, operating, w/BUSHING, assy..... NUT, castle, 3/8-24NF-3.....	ea ea	1 1

G-9	3320-352690S7		SP-223V WO-A9339 FM-352690S7			STUD, S, cd-pltd, $\frac{3}{8}$ -24NF-3 (threaded one end).	ea	1
G-9	3320-356403S		SP-14W WO-A9338 FM-356403S			WASHER, plain, 0.390 ID x $\frac{3}{4}$ OD x 0.062 thk.	ea	1
		C127238	BX-47665 WO-A10329 FM-GPW2620B			LINING, brake show.	ea	2
		A304430	BX-70S25 WO-640102 FM-351915S			RIVET, tubular, special, $\frac{3}{4}$ x $\frac{3}{32}$.	ea	16
G-9	0820-47674	A304419	BX-47674 WO-A10334 FM-GPW2642 WO-A8860 FM-GPW2592	12-2		LINK, operating lever.	ea	1
				12-2		LINK, retracting spring.	ea	1
G-9	0820-47675	A304420	BX-47675 WO-A10335 FM-GPW2805	12-2		NUT, adjusting, operating lever (special, hex, S, No. 12-28NF-2).	ea	1
		A304426	BX-901835K6 WO-53379 FM-355872S	12-2		NUT, jam, hex, S, No. 12-28NF-2.	ea	1
G-9	3320-73869S		WO-A15137 FM-73869S	12-2		PIN, clevis, cable end ($\frac{3}{16}$ x $1\frac{1}{16}$).	ea	1
G-9	0820-47656	C127233	BX-47656 WO-A10320 FM-GPW2621	12-2		PLATE, backing, w/anchor PIN, assy.	ea	1
G-9	0820-47668	B264302B	BX-47668 WO-A10331 FM-GPW2616B	12-2		SCREW, adjusting, LH thread.	ea	1
G-9	0820-47669	B264302A	BX-47669 WO-A10332 FM-GPW2615	12-2		SCREW, adjusting, RH thread.	ea	1
		C127235	BX-47662			SHOE, welded, assy.	ea	2
G-9	0820-47661	C127234	BX-47661 WO-A10324 FM-GPW2648 WO-A8848 FM-GPW2591	12-2		SHOE, w/LINING, assy.	ea	2
			WO-635681			SPACER, conduit clamp (S, $\frac{2}{16}$ ID x $1\frac{1}{16}$ OD x $\frac{1}{2}$ thk).	ea	1
G-9	3320-GPW2793		FM-GPW2793			SPRING, ratchet tube.	ea	1
G-9	0820-47676	A304421	BX-47676 WO-A10336 FM-GPW2640	12-2		SPRING, retaining, cam lever (compression, 0.0507 wire diam, 29 coils, $1\frac{1}{2}$ OD, 2 $\frac{25}{32}$ free lgh).	ea	1
		A304427	BX-901138K6 WO-53538	12-2		WASHER, spring seat.	ea	2

(1) NOTE SYMBOL	(2) STOCK NO.	(3) ORDNANCE PART NO.	(4) MFR'S PART NO.	(5) FIGURE NO.	(6) NOMENCLATURE	(7) UNIT OF MEAS- URE	(8) QUAN- TITY PER UNIT ASSEM- BLY
GROUP 12—BRAKES—Continued							
1201.2—HAND BREAKS, INTERNAL EXPANDING TYPE—Con.							
G-9	3320-GPW2635	-----	WO-A5335 FM-GPW2635	12-2	SPRING, retracting, cable end.....	ea	1
G-9	0820-47677	A304422	BX-47677 WO-A10337 FM-GPW2634	12-2	SPRING, retracting, shoe (tension, S, 0.076 wire diam, 35 coils, 2 $\frac{3}{4}$ OD, 4 $\frac{1}{8}$ overall lgh).	ea	1
G-9	0820-47678	A304423	BX-47678 WO-A10338 FM-GPW2633	12-2	SPRING, retracting, shoe, adjusting end (tension, S, 0.080 wire diam, 29 coils, $\frac{3}{8}$ OD, 4 overall lgh).	ea	1
H-1	H001-1810030	104037	WO-6599 FM-97012S	-----	YOKE, rod end, adjustable, light, S, $\frac{5}{16}$ -24NF-2 (cable end).	ea	1
H-1	H001-4167561	120368	-----	-----	NUT, hex, light, s-fin, S, cd or zn-pltd, $\frac{5}{16}$ - 24NF-2.	ea	1
1202—SERVICE BRAKE ASSEMBLY							
G-9	0820-47047	-----	WO-A1496	-----	BRAKE, front, left, assy (not preadjusted).....	ea	1
G-9	0820-47047	-----	BX-47047 FM-GPW2011	10-1	BRAKE, front, left, assy (preadjusted).....	ea	1
G-9	0820-47048	-----	WO-A1497	-----	BRAKE, front, right, assy (not preadjusted).....	ea	1
G-9	0820-47048	-----	BX-47048 FM-GPW2010	-----	BRAKE, front, right, assy (preadjusted).....	ea	1
G-9	0820-47050	-----	WO-6108	-----	BRAKE, rear, left, assy (not preadjusted).....	ea	1
G-9	0820-47050	-----	BX-47050 FM-GPW2211B	11-4	BRAKE, rear, left, assy (preadjusted).....	ea	1
G-9	G503-7520047	7520047	WO-A6109	-----	BRAKE, rear, right, assy (not preadjusted).....	ea	1
G-9	G503-7520047	7520047	BX-47051 FM-GPW2210B	-----	BRAKE, rear, right, assy (preadjusted).....	ea	1
G-9	0820-41876	-----	BX-41876 WO-637900 FM-GP2028	11-3 12-3	CAM, shoe anchor pin.....	ea	8
G-9	0820-45771	-----	BX-45771 WO-A754 FM-GP2038	12-3, 6	ECCENTRIC, adjusting, shoe.....	ea	8
H-1	H001-4167601	120369	-----	12-3, 6	NUT, hex, light, s-fin, S, cd or zn-pltd, $\frac{3}{8}$ - 24NF-2.	ea	8
H-1	H001-7025741	120382	-----	12-3, 6	WASHER, lock, med, S, cd or zn-pltd, $\frac{3}{8}$ in..	ea	8

			BX-1067S3 WO-116551 FM-GP2021	12-3	LINING, front shoe.....	ea	4
			BX-1067S4 WO-116552 FM-GP2022	12-3	LINING, rear shoe.....	ea	4
		7001411	BX-129S6 WO-374586 FM-351915S		RIVET, tubular, br, $\frac{3}{32}$ x $\frac{1}{16}$	ea	80
G-9	G085-2319320		BX-39953 WO-637899 FM-91A2027	10-4 11-3 12-3, 6	PIN, anchor, shoe.....	ea	8
H-1	H001-4167681	120371		11-3 12-3, 6	NUT, hex, light, s-fin, S, cd or zn-pltd, $\frac{1}{2}$ - 20NF-2.	ea	8
H-1	H001-7025801	120384		12-3	WASHER, lock, med, S, cd or zn-pltd, $\frac{1}{2}$ in.	ea	8
G-9	9680-A450		WO-A450-		PLATE, backing, front and rear brake, assy (Superseded by PLATE BX-A47054.	ea	4
G-9	0820-47054		BX-47054 WO-A8898 FM-GP2013	10-4 11-1, 3 12-3, 6	PLATE, backing, front and rear brake, assy.....	ea	4
G-9	8080-6-73-513		SP-6-73-513 WO-A903 FM-355578S	11-2, 3 12-6	BOLT, special, hex-hd, S, $\frac{3}{8}$ -24NF x $\frac{13}{16}$ (rear wheel plate).	ea	12
H-1	H001-4171601	121932		11-2, 3	NUT, hex, light, s-fin, S, cd or zn-pltd, $\frac{3}{8}$ - 24NF-3.	ea	24
H-1	H001-5421221	123526			SCREW, cap, hex-hd, S, cd or zn-pltd, $\frac{3}{8}$ - 24NF-3 x $\frac{3}{4}$ (front wheel plate).	ea	12
H-1	H001-7025741	120382		11-2 12-6	WASHER, lock, med, S, cd or zn-pltd, $\frac{3}{8}$ in.	ea	24
G-9	G085-2320185		BX-39956 WO-637901 FM-91A2030	11-3 12-3	PLATE, shoe anchor pin.....	ea	4
G-9	G503-0125800		BX-1141S1 WO-116549 FM-GP2018	10-4 12-3	SHOE, front, w/LINING, assy.....	ea	4
G-9	G503-0125801		BX-1141S2 WO-116550 FM-GP2019	11-3 12-3	SHOE, rear, w/LINING, assy.....	ea	4
G-9	G503-0389782		BX-41545 WO-637905 FM-GP2035	12-3	SPRING, retracting, shoe.....	ea	4

(1) NOTE SYMBOL	(2) STOCK NO.	(3) ORDNANCE PART NO.	(4) MFR'S PART NO.	(5) FIGURE NO.	(6) NOMENCLATURE	(7) UNIT OF MEAS- URE	(8) QUAN- TITY PER UNIT ASSEM- BLY
GROUP 12—BRAKES—Continued							
1204.1—BRAKE MASTER CYLINDER, PEDAL AND CON- NECTIONS							
	G503-7744326	7744326	WO-A1354 FM-GPW2138	12-6	BAR, tie, master cylinder-----	ea	1
H-1	H001-4167561	120368	-----	-----	NUT, hex, light, s-fin, S, cd or zn-pltd, $\frac{1}{16}$ - 24NF-2.	ea	1
H-1	H101-0100020	100020	WO-52836 FM-355444S	-----	SCREW, cap, hex-hd, S, $\frac{1}{16}$ -24NF-3-----	ea	1
H-1	H001-5453141	180077	-----	-----	SCREW, cap, hex-hd, S, cd or zn-pltd, $\frac{1}{16}$ - 18NC-3 x $\frac{3}{4}$.	ea	1
H-1	H001-7025711 G503-7744325	120214 7744325	WO-A183 FM-GPW2462	12-6	WASHER, lock, med, S, cd or zn-pltd, $\frac{1}{16}$ in.	ea	2
H-1	H001-4171641	121949	FM-33802S7	12-6	BOLT, eye, pedal to master cylinder ($\frac{1}{16}$ -20NF)---	ea	1
H-1	H001-0811039	103373	-----	-----	NUT, hex, light, s-fin, S, cd or zn-pltd, $\frac{1}{16}$ - 20NF-3.	ea	1
G-9	G503-7324834	7324834	WO-52835 FM-356394S2	-----	PIN, cotter, split, S, $\frac{3}{32}$ x $\frac{3}{4}$ -----	ea	1
G-9	G057-0124276	-----	LO-FC-34-74 WO-637605 FM-GP2077 FM-GP2180	12-4, 6	WASHER, plain, special, $\frac{1}{16}$ in-----	ea	1
G-9	9240-FC6011	-----	LO-FC6011 WO-637602 FM-GP2180A	12-4, 6	BOLT, master cylinder outlet fitting-----	ea	1
G-9	G134-0340460	-----	LO-S-FC6018E WO-637608 FM-GP2162	12-4, 6	BCCT, master cylinder (Superseded by BOOT LO-FC6011).	ea	1
			LO-S-FC2919B WO-637586 FM-GP2183	12-4	BOOT, master cylinder-----	ea	1
			LO-S-FD2108F WO-637590 FM-GP2173	12-4	CAP, filler, master cylinder, assy (Also known as PLUG).	ea	1
					CUP, master cylinder check valve (rubber)-----	ea	1
					CUP, master cylinder piston, primary (rubber)---	ea	1

			LO-S-FD2109B WO-637595 FM-GP2170	12-4	CUP, master cylinder piston, secondary (rubber)	ea	1
G-9	9240-FC3678		LO-S-FC3678A WO-637596	12-4	RING, retaining (br)	ea	1
G-9	G503-0145853		LO-FE1444 WO-A556 FM-GP2140	12-4, 6	CYLINDER, master (See TANK, supply). CYLINDER, master, assy	ea	1
H-1	H001-5419461	122089			SCREW, cap, hex-hd, S, cd or zn-pltd, $\frac{5}{16}$ - 18NC-3 x 3.	ea	1
H-1	H001-7025711	120214			WASHER, lock, med, S, cd or zn-pltd, $\frac{5}{16}$ in.	ea	1
H-1	H001-7043711	120393			WASHER, plain, SAE std, S, cd or zn-pltd, $\frac{5}{16}$ in.	ea	1
K-3	45F-448-200	45F-448- 200		12-6	FITTING, lubricating, hydraulic type, stght, $\frac{1}{8}$ -27NPT, male, length over-all $1\frac{1}{16}$ (brake pedal shaft).	ea	1
G-9	9240-FC5727		LO-FC5727A WO-A557 FM-GP2076	12-4, 6	FITTING, outlet, master cylinder	ea	1
G-9	G503-5276834	A276834	LO-FC6019 WO-637612 FM-GP2167	12-4	GASKET, master cylinder filler cap	ea	1
G-9	G508-5214539	A214539	LO-FC602 WO-637604 FM-91A2152	12-4, 6	GASKET, master cylinder outlet fitting	ea	1
G-9	G508-5160323	A160323	LO-FC603E WO-637606 FM-91A2151	12-4, 6	GASKET, master cylinder outler fitting bolt	ea	1
	G503-7697873	7697873	WO-A641 FM-GPW2476A		GROMMET, pedal shaft	ea	1
	G503-7744493	7744493	WO-A1359 FM-GPW2454	12-6	PAD, brake pedal assy (Superseded by PAD WO-A8477).	ea	1
	G503-7744493	7744493	WO-A8477 FM-GPW2454A		PAD, brake pedal, assy	ea	1
H-1	H001-5453221	180081		12-6	SCREW, cap, hex-hd, S, cd or zn-pltd, $\frac{5}{16}$ -18NC-3 x $1\frac{1}{4}$.	ea	1
H-1	H001-7025711	120214			WASHER, lock, med, S, cd or zn-pltd, $\frac{5}{16}$ in.	ea	1
G-9	G503-7698205	7698205	WO-A1386 FM-GPW2452A	12-6	PEDAL, assy (Superseded by PEDAL WO-A8253)	ea	1
G-9	G503-7698205	7698205	WO-A8253 FM-GPW2452B	02-3 18-2	PEDAL, assy	ea	1
G-9	9240-FC6007		LO-FC6007 WO-637591 FM-GP2169	12-4	PISTON, master cylinder, assy (Includes secondary CUP and RETAINER).	ea	1

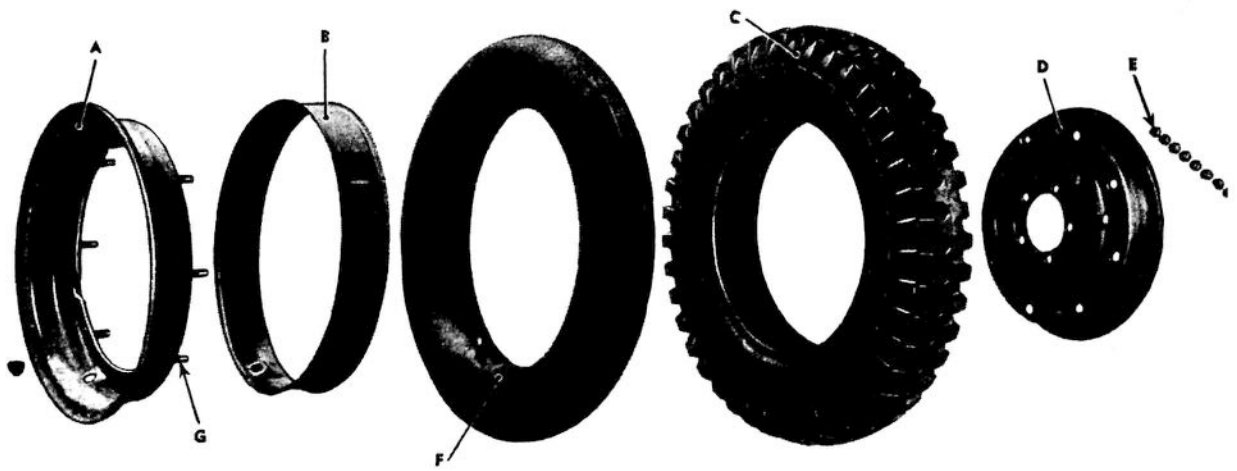
(1) NOTE SYMBOL	(2) STOCK NO.	(3) ORDNANCE PART NO.	(4) MFR'S PART NO.	(5) FIGURE NO.	(6) NOMENCLATURE	(7) UNIT OF MEAS- URE	(8) QUAN- TITY PER UNIT ASSEM- BLY
GROUP 12—BRAKES—Continued							
1204.1—BRAKE MASTER CYLINDER, PEDAL AND CON- NECTIONS—Continued							
G-9	9240-FC2926	-----	LO-FC2926 WO-637597 FM-GP2188	12-4	PLATE, stop, master cylinder piston-----	ea	
G-9	G508-7362371	7362371	LO-FC2927 WO-637598 FM-GP2174	12-4	WIRE, locking-----	ea	1
G-9	9240-FC2918	-----	LO-FC2918A WO-637585 FM-GP2176 WO-A493	12-4	PLUG, filler, master cylinder (See CAP, filler). RETAINER, cup, master cylinder check valve---	ea	1
			LO-FC6014 WO-637599 FM-GP2143A	12-4, 6	RETAINER, pedal shaft----- ROD, push, master cylinder-----	ea ea	1 1
			LO-FC6010 WO-637583 FM-GP2160	12-4	SEAT, master cylinder check valve-----	ea	1
G-9	G503-7340237	7340237	WO-A495 FM-GPW2473	02-3	SHAFT, pedal, assy-----	ea	1
G-9	G503-7697874	7697874	WO-A647 FM-GPW5118	-----	SHIELD, master cylinder, assy-----	ea	1
G-9	9240-FC6009	-----	LO-FC6009 WO-637587 FM-GP2145	12-4	SPRING, piston return, master cylinder, w/RE- TAINER, assy.	ea	1
	G503-0389783	-----	WO-630593 FM-GPW7523	02-3	SPRING, retracting, pedal-----	ea	1
G-9	9240-FD4564	-----	LO-FD4564 WO-637582 FM-GP2155	12-4	TANK, supply, master cylinder (also known as master CYLINDER).	ea	1
H-1	H001-4167501	120375	-----	-----	NUT, hex, light, s-fin, S, cd or zn-pltd, ¼- 20NC-2	ea	2
H-1	H101-0215267	215267	-----	-----	SCREW, cap. hex-hd, S, cd or zn-pltd, ¼- 20NC-2 x 1.	ea	2
H-1	H001-7025681	120380	-----	-----	WASHER, lock, med, S, cd or zn-pltd, ¼ in.	ea	2

G-9	9240-FC2917		LO-FC2917 WO-637584 FM-GP2175	12-4	VALVE, check, master cylinder, assy -	ea	1
					1204.2—BRAKE WHEEL CYLINDERS		
			LO-FC8779 WO-A6117 FM-GPW2206		BOOT, wheel cylinder (for ¾ in. rear cylinder) -	ea	4
			LO-FC5994 WO-637546 FM-GPW2206A2	12-5	BOOT, wheel cylinder (for 1 in. front or ¾ in. rear cylinder).	ea	8
G-9	G085-2221780		LO-FC1499 WO-637579 FM-91A2201	12-5	CUP, front wheel cylinder (1 in. cylinder) -	ea	4
			LO-FC4158 WO-A6116 FM-GPW2201		CUP, rear wheel cylinder (¾ in. cylinder) -	ea	4
G-9	9240-FC3023		LO-FC3023 WO-637544 FM-GP2201		CUP, rear wheel cylinder (¾ in. cylinder) -	ea	4
			WO-A1502	12-5	CYLINDER, front wheel (1 in. diam) -	ea	2
G-9	G503-0145854		LO-FD7379 BX-45908 WO-A1484 FM-GPW2061	10-4 12-5	CYLINDER, front wheel, assy (1 in. diam) -	ea	2
			LO-FC8782 WO-A6111 FM-GPW2135		CYLINDER, rear wheel (¾ in. diam) -	ea	2
G-9	G503-0145855		LO-FD7568 BX-46491 WO-A6110 FM-GPW2261	11-3 12-6	CYLINDER, rear wheel, assy (¾ in. diam) -	ea	2
			LO-FD4664 WO-637789 FM-GP2192		CYLINDER, rear wheel (¾ in. diam) -	ea	2
			LO-4665 BX-41807 WO-637787 FM-GP2261		CYLINDER, rear wheel, assy (¾ in. diam) -	ea	2
H-1	H101-0427238	427238		12-5, 6	SCREW, cap, hex-hd, S, cd or zn-pltd, ¼-20NC-2 x ¾.	ea	8
H-1	H001-7021741	120423		12-5	WASHER, lock. int-teeth, reg, S, cd or zn-pltd, ¼ in.	ea	8
G-9	9240-FC5997		LO-FC5997 WO-637577 FM-GP2194	12-5	PISTON, front wheel cylinder, assy (1 in. diam) -	ea	4

(1) NOTE SYMBOL	(2) STOCK NO.	(3) ORDNANCE PART NO.	(4) MFR'S PART NO.	(5) FIGURE NO.	(6) NOMENCLATURE	(7) UNIT OF MEAS- URE	(8) QUAN- TITY PER UNIT ASSEM- BLY
GROUP 12—BRAKES—Continued							
1204.2—BRAKE WHEEL CYLINDERS—Continued							
G-9	9240-FC8778	-----	LO-FC8778 WO-A6113 FM-GPW2196	-----	PISTON, rear wheel cylinder, assy. (3/4 in. diam)-----	ea	4
G-9	9240-FC5998	-----	LO-FC5998 WO-637541 FM-GP2196	-----	PISTON, rear wheel cylinder, assy (3/8 in. diam)-----	ea	4
G-9	9240-FC5993	-----	LO-FC5993 WO-637540 FM-GP2208	12-5, 6	SCREW, bleeder, wheel cylinder-----	ea	4
G-9	9240-FC5992	-----	LO-FC5992 WO-637580 FM-GP2205	12-5	SPRING, return, front wheel cylinder piston-----	ea	2
G-9	9240-FC6003	-----	LO-FC6003 WO-637545 FM-GP2204	-----	SPRING, return, rear wheel cylinder piston-----	ea	2
1204.3—BRAKE LINES							
G-9	G503-7740789	7740789	WO-A1486 FM-GPW2084	-----	BRACKET, front flexible line, left-----	ea	1
G-9	G503-7697872	7697872	WO-A1487 FM-GPW2082	-----	BRACKET, front flexible line, right-----	ea	1
	G503-7744327	7744327	WO-A5227 FM-GPW2274	12-6	BRACKET, rear axle brake line tee-----	ea	1
H-1	H001-5026131	193990	-----	-----	SCREW, cap, hex-hd, S, cd or zn-pltd, 3/16- 18NC-2 x 3/8.	ea	2
G-9	3320GPW-2250	-----	WO-A1515	-----	CLAMP, hose, 2 1/2 ID (brake line to axle)-----	ea	3
H-1	H001-4139681	120611	FM-GPW2250	-----	NUT, mach screw, sq, S, cd or zn-pltd, No. 10-32NF-2.	ea	3
H-1	H001-5148891	132923	-----	-----	SCREW, mach, rd-hd, S, cd or zn-pltd, No. 10-32NF-2 x 1.	ea	3
			WO-A5449 FM-GPW2231 FM-GPW14560 WO-52840	-----	CLIP, open, 3/16 in., 7/32 bolt hole (brake lines)-----	ea	3
				-----	BOLT, hex-hd, S, cd-pltd, No. 10 x 1/2 (to master cylinder).	ea	1

H-1	H001-4135661	120361			NUT, mach screw, hex, S, cd or zn-pltd, No. 10-24NC-2.	ea	2
H-1	H001-5148271	120222			SCREW, mach, rd-hd, S, cd or zn-pltd, No. 10-24NC-2 x 5/8.	ea	2
H-1	H001-7025621	120217			WASHER, lock, med, S, cd or zn-pltd, No. 10.	ea	2
			WO-A1378		CLIP, brake line (closed 5/16 in.)	ea	2
			FM-GPW2244				
			WO-52839		CLIP, brake line (to side rail)	ea	2
			FM-GPW2223				
			WO-637439		CLIP, brake line (1/4 in., under rear axle cover bolt)	ea	1
			FM-GPW2081				
G-9	G085-2219065		GM-709818	12-6	CLIP, lock, hose to bracket	ea	6
			WO-637427				
			FM-78-2814A				
G-9	9240-FC1511		LO-FC1511		GASKET, brake line tee fitting (Superseded by GASKET LO-S-FC5795).	ea	2
			WO-A562				
G-9	9240-FC5795		LO-S-FC5795		GASKET, brake line tee fitting	ea	2
			WO-637426				
			FM-GP2087				
	G503-7697871	7697871	WO-A1457	10-1	GUARD, front wheel flexible line	ea	2
			FM-GPW2096	12-6			
G-9	G503-0217820		LO-FC8502	12-6	LINE, flexible, front axle tee to master cylinder line, assy (11 in. long).	ea	1
			WO-A1373				
			WO-A15801				
			FM-GPW2078				
G-9	G503-0217819		LO-FC8553	12-6	LINE, flexible, front brake, left and right assy (6 in. long).	ea	2
			WO-A1460				
			WO-A15802				
			FM-GPW2079				
G-9	G503-0217821		LO-FC5784	12-6	LINE, flexible, rear axle tee to master cylinder line, assy (15 in. long).	ea	1
			WO-A15803				
			WO-637424				
			FM-GP2078				
G-9	3320-GPW2263		WO-A1501	12-6	LINE, front tee to left flexible line, assy (3/16 tube, 6 1/2 long).	ea	1
			FM-GPW2263				
G-9	3320-GPW2266		WO-A1376	12-6	LINE, front tee to right flexible line, assy (3/16 tube, 33 1/2 long).	ea	1
			FM-GPW2266				
G-9	3320-GPW2298		WO-A1488	12-6	LINE, front wheel cylinder to flexible line, assy (3/16 tube, 5 23/32 long).	ea	2
			FM-GPW2298				
G-9	3320-GPW2264		WO-A1377	12-6	LINE, master cylinder, front, assy (3/16 tube, 21 13/16 long).	ea	1
			FM-GPW2264				

(1) NOTE SYMBOL	(2) STOCK NO	(3) ORDNANCE PART NO.	(4) MFR'S PART NO.	(5) FIGURE NO.	(6) NOMENCLATURE	(7) UNIT OF MEAS- URE	(8) QUAN- TITY PER UNIT ASSEM- BLY
GROUP 12—BRAKES—Continued							
1204.3—BRAKE LINES—Continued							
			WO-A683		LINE, master cylinder, rear, assy ($\frac{3}{16}$ tube, 38 $\frac{1}{16}$ long) (Used on vehicles before Willys Serial No. 106763).	ea	1
G-9	3320 GPW2265		WO-A5224 FM-GPW2265 WO-A630	12-6	LINE, master cylinder, rear, assy ($\frac{3}{16}$ tube 62 $\frac{1}{16}$ long).	ea	1
					LINE, rear tee to left wheel cylinder, assy ($\frac{3}{16}$ tube, 13 $\frac{2}{32}$ long) (Used on vehicles before Willys Serial No. 106763).	ea	1
G-9	3320-GPW2268		WO-A5225 FM-GPW2268 WO-A631	11-1 12-6	LINE, rear tee to left wheel cylinder, assy ($\frac{3}{16}$ tube, 27 $\frac{3}{8}$ long).	ea	1
					LINE, rear tee to right wheel cylinder, assy ($\frac{3}{16}$ tube, 30 $\frac{1}{2}$ long) (Used on vehicles before Willys Serial No. 106763).	ea	1
G-9	3320-GPW2267		WO-A5226 FM-GPW2267	11-1 12-6	LINE, rear tee to right wheel cylinder, assy ($\frac{3}{16}$ tube, 28 $\frac{13}{16}$ long).	ea	1
G-9	9240-FC5555		LO-FC5555 WO-384710 FM-GP2133		NUT, brake line ($\frac{3}{16}$ in. inverted flared tube)	ea	14
G-9	9240-FC5778		LO-FC5778 WO-637432 FM-GP2074	11-1 12-6	TEE, brake line (at front and rear axle)	ea	2
H-1	H001-5025501	214001			SCREW, cap, hex-hd, S, cd or zn-pltd, $\frac{1}{4}$ -20NC-2 x $\frac{1}{2}$.	ea	2
H-1	H001-7025681	120380			WASHER, lock, med, S, cd or zn-pltd, $\frac{1}{4}$ in.	ea	2



KEY ITEM	PART NO.	GROUP	KEY ITEM	PART NO.	GROUP
A—RIM	KHW-25917	1311	E—NUT	KHW-25779	1311
B—BEADLOCK	520936	1313	F—TUBE	519246	1313
C—TIRE	511250	1313	G—BOLT	KHW-25695	1311
D—DISK	KHW-25693	1311			

RA PD 50108G

Figure 13-1. Wheel—exploded view.

(1) NOTE SYMBOL	(2) STOCK NO.	(3) ORDNANCE PART NO.	(4) MFR'S PART NO.	(5) FIGURE NO.	(6) NOMENCLATURE	(7) UNIT OF MEAS- URE	(8) QUAN- TITY PER UNIT ASSEM- BLY
GROUP 13—WHEELS							
1311—WHEEL ASSEMBLY							
H-12	H012-6141280	705423	TIM-18590	10-4, 5 11-2, 4	CONE; tapered roller bearing, No. TIM-18590 (Includes rollers and cage, type TS, SR, 1.625 bore, 0.6875 width) (wheel hub).	ea	8
H-12	H012-6219420	706836	TIM-18520	10-4, 5 11-2, 4	CUP, tapered roller bearing, No. TIM-18520 (type TS, SR, 2.875 OD, 0.500 width) (wheel hub).	ea	8
G-9	5200-25693	-----	KHW-25693 WO-A5468 FM-GPW1016	13-1	DISK, wheel (inner half of WHEEL, assy KHW-25692).	ea	5
G-9	5200-24569	-----	KHW-24569 WO-A473 FM-GP1108	11-3	BOLT, special, S, ½-20NF-2 x 1¼, LH thread.	ea	10
G-9	5200-24568	-----	KHW-24568 WO-A474 FM-GP1107	11-1, 2, 3	BOLT, special, S, ½-20NF-2 x 1¼, RH thread.	ea	10
M-5	G503-0314838	A232404	KHW-24576 WO-A475 FM-GP1013	10-4 11-3	NUT, special, hex, S, ½-20NF-2, LH thread.	ea	10
M-5	G503-0314839	A232405	KHW-24575 WO-A476 FM-GP1012	10-4 11-2, 3	NUT, special, hex, S, ½-20NF-2, RH thread.	ea	10
G-9	8080-17016	-----	SP-17016 WO-A866 FM-GP4252	10-5 11-2, 4	NUT, adjusting, wheel bearings (hex, S, 1½-16N).	ea	8
G-9	3320-GPW1027	-----	WO-A5469 FM-GPW1027	-----	RIM, wheel (outer half of WHEEL, assy KHW25692) (superseded by RIM KHW-25917).	ea	5
M-5	5200-25917	D40974	KHW-25917 WO-A5549 FM-GPW1024	13-1	RIM, wheel disk (outer part of WHEEL, assy KHW-25692).	ea	5
M-5	G503-0124253	A233140	KHW-25695 WO-A5470 FM-GPW1029	13-1	BOLT, special, S, ½-20NF-2 x 1¼	ea	40
M-5	G503-0314840	A232465	KHW-25779 WO-A5471 FM-GPW1030	13-1	NUT, special, hex, S, ½-20NF-2	ea	40

H-13	H013-0500128	500128	-----	10-5	SEAL, oil, type MW, 2 1/8 x 2.879 x 1/4 (wheel hub bearing).	ea	4
G-9	8080-17015	-----	SP-17015 WO-A865 FM-GP1218	11-2, 4 10-5 11-2, 4	WASHER, wheel bearing-----	ea	4
G-9	8080-17017	-----	SP-17017 WO-A867 FM-GP1124	10-5 11-2, 4	WASHER, lock, wheel bearing nut-----	ea	4
M-5	G529-0446892	D40975	KHW-25692 WO-A5467 FM-GPW1015	-----	WHEEL, assy (16 x 4.50) (includes DISK, RIM, BOLTS and NUTS).	ea	5
1312--WHEEL HUBS AND DRUMS							
G-9	8080-17071	-----	SP-17071 WO-A869 FM-GP1139	10-4	CAP, front wheel hub-----	ea	2
G-9	9680-A472	-----	KHW-24566 WO-A472	11-2 12-6	DRUM, brake, front and rear wheel-----	ea	4
	G503-7341800	7341800	KHW-24659 WO-A1691	-----	HUB, wheel, w/BEARING, assy-----	ea	4
G-9	5200-25647	-----	KHW-25647 WO-A1689 FM-GP1103	10-4 11-1, 3, 4	HUB, wheel, left, w/DRUM, assy-----	ea	2
G-9	5200-25646	-----	KHW-25646 WO-A1690 FM-GP1102	10-4 11-1, 3	HUB, wheel, right, w/DRUM, assy-----	ea	2
1313--WHEEL TIRES AND TUBES							
H-14	H014-0520936	520936	-----	13-1	BEADLOCK, combat tire, channel type, 4.50 (CE) x 16 rim (For 6.00 x 16 tires).	ea	5
H-14	H014-0520944	520944	-----	-----	CAP, tire valve, screwdriver type-----	ea	5
H-14	H014-0501229	501229	-----	-----	CORE, tire valve-----	ea	5
H-14	H014-0520877	520877	-----	-----	FLAP, tire, 7.50 x 16 (for 7.50 x 16 tires only)-----	ea	5
H-14	H014-0511250	511250	-----	13-1	TIRE, pneumatic, new 6.00 x 16, 6 ply, light truck, mud and snow tread.	ea	5
H-14	H014-0511570	511570	-----	-----	TIRE, pneumatic, new, 7.50 x 16, 6 ply, light truck, mud and snow tread.	ea	5
H-14	H014-0519246	519246	-----	13-1	TUBE, new, 6.00 x 16, light truck (valve TR-15)---	ea	5
H-14	H014-0519260	519260	-----	-----	TUBE, new, 7.50 x 16, light truck (valve TR-50 or 150.)	ea	5

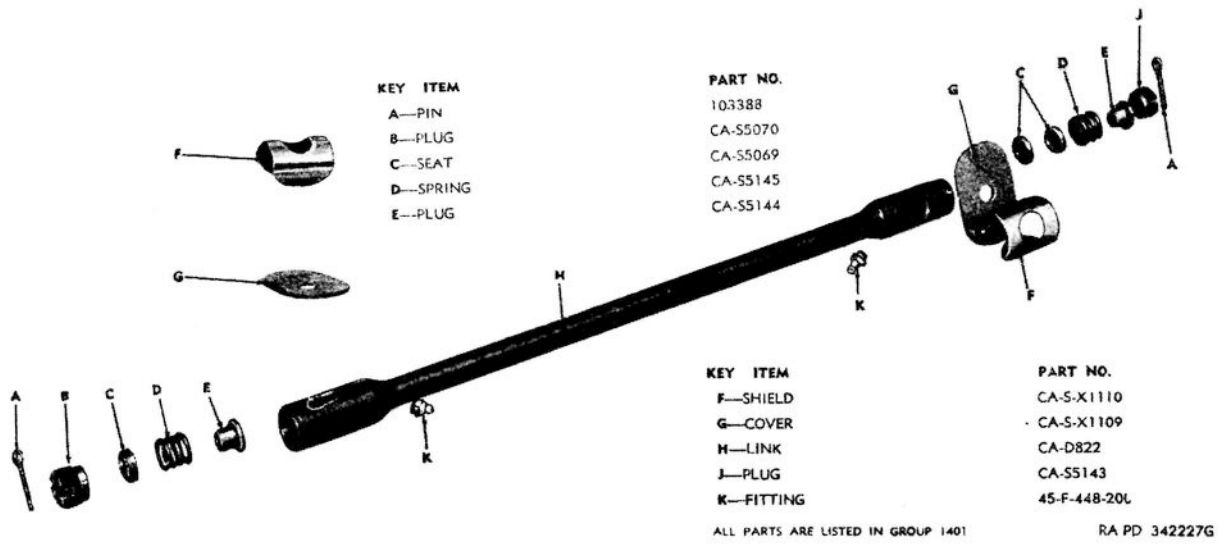
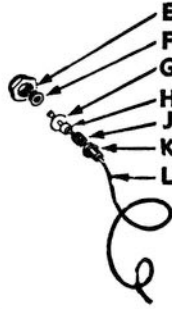
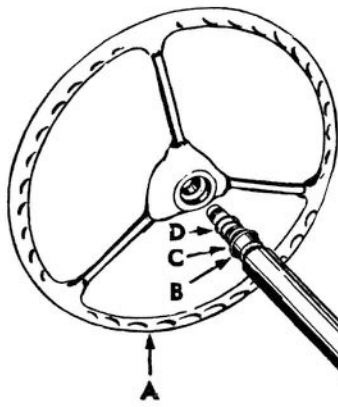
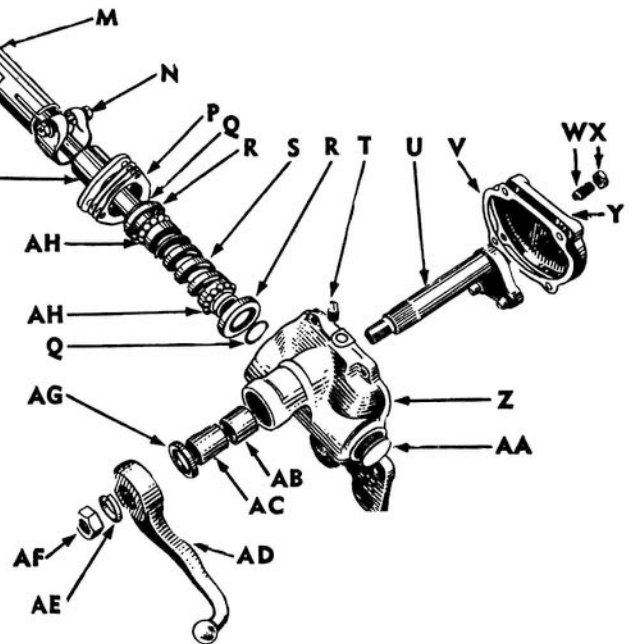


Figure 14-1. Drag link—exploded view.



KEY ITEM	PART NO.	GROUP
A—WHEEL	WO-A6858	1401.1
B—BEARING	RG-063996	1401.1
C—SEAT	RG-028093	1401.1
D—SPRING	RG-401090	1401.1
E—NUT	RG-026988	1401.1
F—BUTTON	RG-450054	0611
G—WASHER	RG-029049	0611
H—FERRULE	RG-051035	0611
J—SPRING	RG-401107	0611
K—CUP	RG-029046	0611
L—CABLE	RG-828732	0611
M—JACKET, ASSY	WO-A1199	1401.1
N—CLAMP, ASSY	RG-502282	1401.1
P—SHIM	RG-033046	1401.1
Q—RING	RG-401100	1401.1
R—CUP	RG-400025	1401.1
S—SHAFT	RG-503308	1401.1

KEY ITEM	PART NO.	GROUP
T—PLUG	WO-5085	1401.1
U—SHAFT, ASSY	RG-7698-4 5/8	1401.1
V—GASKET	RG-T129001	1401.1
W—SCREW	RG-021116	1401.1
X—NUT	124929	1401.1
Y—COVER	RG-502540	1401.1
Z—HOUSING, ASSY	RG-503284	1401.1
AA—PLUG	541402	1401.1
AB—BUSHING	RG-063011	1401.1
AC—BUSHING	RG-063012	1401.1
AD—ARM	WO-A1116	1401.1
AE—WASHER	121574	1401.1
AF—NUT	RG-025060	1401.1
AG—SEAL	500017	1401.1
AH—BALL	104919	1401.1
AJ—COVER	RG-T126000	1401.1
AK—RING	RG-063991	0611
AL—BRUSH	RG-032087	0611



RA PD 342246G

Figure 14-2. Steering gear—exploded view.

(1) NOTE SYMBOL	(2) STOCK NO.	(3) ORDNANCE PART NO.	(4) MFR'S PART NO.	(5) FIGURE NO.	(6) NOMENCLATURE	(7) UNIT OF MEAS- URE	(8) QUAN- TITY PER UNIT ASSEM- BLY
GROUP 14—CONTROLS							
1401—STEERING LINKAGE							
H-12	H012-0709455	709455	TR-B1210	-----	BEARING roller needle No. TR-B1210 (open end no inner race, w/o oil hole, 0.750 shaft diam, 1.000 OD, 0.625 width) (steering bellcrank).	ea	2
G-9	3320-GPW3131	-----	WO-A1211 FM-GPW3131	-----	BELLCRANK, steering (Superseded by BELLCRANK SP-17307).	ea	1
G-9	8080-17307	-----	SP-17307	10-1	BELLCRANK, steering-----	ea	1
G-9	8080-13439	-----	WO-A8249 FM-GPW3131B TP-16MN8 WO-A1706 FM-51-3287 SP-13439	10-1	CLAMP, steering knuckle tie rod-----	ea	4
H-1	H001-4027541	225831	-----	-----	NUT, hex, reg, s-fin, S, cd or zn-pltd, $\frac{3}{8}$ -24NF-2.	ea	4
H-1	H101-0429037	429037	-----	-----	SCREW, cap, hex-hd, S, cd or zn-pltd, $\frac{3}{8}$ -24NF-2 x 1 $\frac{1}{2}$.	ea	4
H-1	H001-7025741	120382	-----	-----	WASHER, lock, med. S, cd or zn-pltd, $\frac{3}{8}$ in.	ea	4
G-9	G503-7036585	7036585	CA-S-X1109 WO-A622 FM-GPW3332A	14-1	COVER, dust, drag link (ru)-----	ea	2
G-9	G085-2371582	-----	TP-14DM43 WO-A844 FM-78-3336 SP-16067	-----	COVER, grease retaining, tie rod end-----	ea	2
G-9	8080-17047X	-----	TP-14SV90A7 WO-A847 FM-GP3290 FM-GP3292 SP-17047X	10-1	END, tie rod, left hand thread, assy-----	ea	2
G-9	8080-17046X	-----	TP-14SV89A7 WO-A838 FM-GP3289 FM-GP3291 SP-17046S	10-1	END, tie rod, right hand thread, assy-----	ea	2
H-1	H001-4217681	125250	-----	-----	NUT, slotted, light, s-fin, S, cd or zn-pltd, $\frac{1}{2}$ -20NF-2.	ea	4

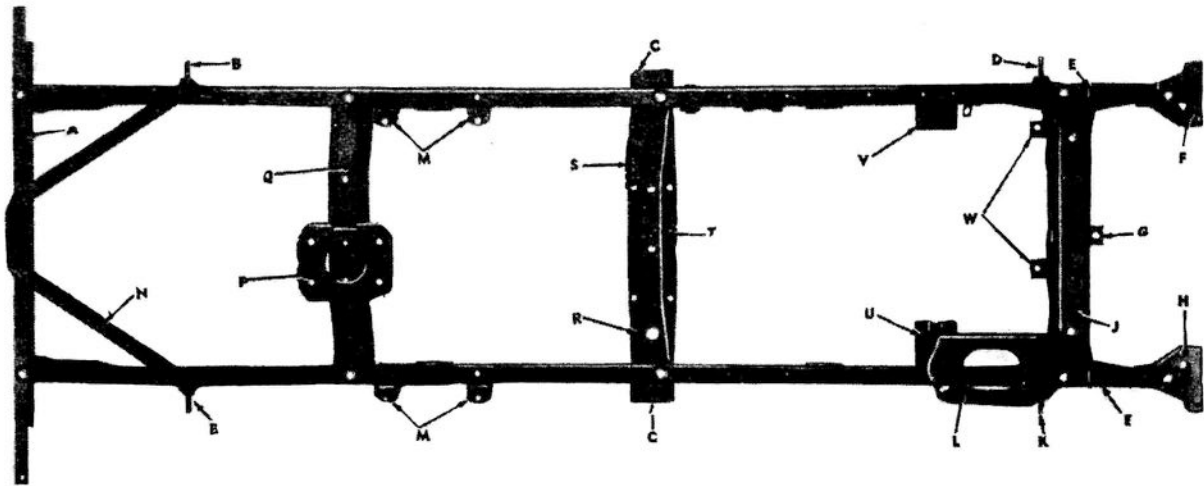
H-1	H001-0811040	103374			PIN, cotter, split, S, $\frac{3}{32}$ x 1	ea	4
K-3	45-F-448-200	45-F-448-200		14-1	FITTING, lubricating, hydraulic type, stght, $\frac{1}{8}$ -27NPT, male, length over-all $1\frac{1}{16}$ in. (for drag link).	ea	2
G-9	9680-A621		WO-A621 FM-GPW3305 CA-D822		LINK, drag (Superseded by LINK CA-D822)	ea	1
			WO-A8252 FM-GPW3305B	14-1	LINK, drag	ea	1
G-9	G503-0373279		WO-A619 FM-GPW3304		LINK, drag, assy (Superseded by LINK WO-A8250).	ea	1
G-9	3320-GPW3304B		WO-A8250 FM-GPW3304B		LINK, drag, assy	ea	1
G-9	8080-17211		SP-17211 WO-A856 FM-GPW3166		PIN, steering bellcrank shaft (S, tapered, $\frac{3}{8}$ x $1\frac{1}{8}$)	ea	1
G-9	3320-GPW3323		CA-S5070 WO-630756 FM-GPW3323	14-1	PLUG, adjusting, drag link ball seat, large (bellcrank end).	ea	1
H-1	H001-0811055	103388		14-1	PIN, cotter, split, S, $\frac{1}{8}$ x $1\frac{3}{4}$	ea	1
G-9	G503-7036586	7036586	CA-S5143 WO-630757 FM-GPW3328	14-1	PLUG, adjusting, drag link ball seat, small (steering gear arm end).	ea	1
H-1	H001-0811055	103388		14-1	PIN, cotter, split, S, $\frac{1}{8}$ x $1\frac{3}{4}$	ea	1
G-9	G503-7036588	7036588	CA-S5144 WO-630753 FM-GPW3326	14-1	PLUG, drag link ball seat spring	ea	2
G-9	G503-0373269		SP-17309X WO-A1708 FM-GPW3279		ROD, tie, steering, left, assy (Includes rod ENDS)	ea	1
G-9	G503-0373270		SP-17308X WO-A1704 FM-GPW3280		ROD, tie, steering, right, assy (Includes rod ENDS).	ea	1
G-9	3320-78-3332A		FM-78-3332A		SEAL, dust, tie rod end (Ford only. Willys uses SPRING WO-A6305).	ea	4
G-9	8080-17213		SP-17213 WO-A858 FM-GPW3167		SEAL, steering bellcrank bearing	ea	2
G-9	G503-7036567	7036567	CA-S5069 WO-630755 FM-GPW3320	14-1	SEAT, ball, drag link	ea	3
G-9	8080-17210		SP-17210 WO-A855 FM-GPW3165		SHAFT, steering bellcrank	ea	1
G-9	8080-S1106		SP-S1106 WO-A876 FM-356124S	10-1	NUT, hex, S, $\frac{3}{4}$ -20EF-2	ea	1

(1) NOTE SYMBOL	(2) STOCK NO.	(3) ORDNANCE PART NO.	(4) MFR'S PART NO.	(5) FIGURE NO.	(6) NOMENCLATURE	(7) UNIT OF MEAS- URE	(8) QUAN- TITY PER UNIT ASSEM- BLY
GROUP 14—CONTROLS—Continued							
1401—STEERING LINKAGE—Continued							
H-1	H001-0811055	103388			SHAFT—Continued		
G-9	G503-7036584	7036584	CA-S-X1110 WO-A623 FM-GPW3336	14-1	PIN, cotter, split, S, 1/8 x 1 1/4 SHIELD, dust, drag link dust cover	ea ea	1 2
G-9	8080-17205		SP-17205 WO-A861 FM-GPW3170		SHIELD, dust, steering bellcrank bearing	ea	1
G-9	G503-7036587	7036587	CA-S5145 WO-630754 FM-GPW3327	14-1	SPRING, drag link ball seat	ea	2
G-9	8080-17347		TP-14DS20 WO-A6305 SP-17347		SPRING, tie rod end (Willys only. Ford uses SEAL FM-78-3332A).	ea	4
G-9	8080-17295-2		SP-17295-2 WO-A1709 FM-GPW3282	10-1	TUBE, steering tie rod, left (14 3/4 long)	ea	1
G-9	8080-17295-1		SP-17295-1 WO-A1705 FM-GPW3281	10-1	TUBE, steering tie rod, right (21.9 long)	ea	1
G-9	8080-17214		SP-17214 WO-A859 FM-GPW3168		WASHER, steering bellcrank shaft, lower	ea	1
G-9	8080-17215		SP-17215 WO-A860 FM-GPW3169		WASHER, steering bellcrank shaft, upper	ea	1
1401.1—STEERING GEAR ASSEMBLY							
G-9	3320-GPW3590		WO-A1116 FM-GPW3590	14-2	ARM, pitman	ea	1
G-9	7640-025060		RG-025060 WO-639115 FM-356077S5	14-2	NUT, hex, S, cop-pltd, 5/8-18NF-2	ea	1
H-1	H001-7025861	121574		14-2	WASHER, lock, med, S, cd or zn-pltd, 5/8 in.	ea	1
H-2	H002-0100130	104919		14-2	BALL, alloy-S, grade 2, 3/8 in (steering gear worm)	ea	22

G-9	7640-063996		RG-063996 WO-639190 FM-GPW3517	14-2	BEARING, steering column, wheel end, assy	ea	1
G-9	7640-063011		RG-063011 WO-639090 FM-GPW3587	14-2	BUSHING, housing, inner (Also known as BEARING).	ea	1
G-9	7640-063012		RG-063012 WO-639091 FM-GPW3576	14-2	BUSHING, housing, outer (Also known as BEARING).	ea	1
			WO-A1277 FM-GPW3682A		BUSHING, jacket	ea	1
G-9	7640-502282		RG-502282 WO-A635 FM-GPW3506	14-2	CLAMP, jacket, assy	ea	1
H-1	H001-4027521	221157			NUT, hex, reg, s-fin, S, cd or zn-pltd, $\frac{1}{8}$ -24 NF-2.	ea	1
H-1	H101-0214069	214069			SCREW, cap, hex-hd, S, cd or zn-pltd, $\frac{1}{16}$ -24 NF-2 x 2.	ea	1
H-1	H001-7025711	120214			WASHER, lock, med, S, cd or zn-pltd, $\frac{1}{16}$ in.	ea	1
			WO-A1276 FM-GPW3511		CLAMP, jacket support	ea	1
H-1	H001-4027521	221157			NUT, hex, reg, s-fin, S, cd or zn-pltd, $\frac{1}{16}$ -24 NF-2.	ea	2
H-1	H001-5026411	213904			SCREW, cap, hex-hd, S, cd or zn-pltd, $\frac{1}{16}$ -24 NF-2 x $\frac{1}{4}$.	ea	2
H-1	H001-7025711	120214			WASHER, lock, med, S, cd or zn-pltd, $\frac{1}{16}$ in.	ea	2
G-9	G503-7343030	7343030	WO-390510		COVER, jacket oil hole (Willys only)	ea	1
G-9	7640-502540		RG-502540 WO-639116 FM-GPW3583	14-2	COVER, housing side, assy	ea	1
H-1	H101-0215367	215367			SCREW, cap, hex-hd, S, phos-ctd, $\frac{1}{16}$ -18NC- 2 x 1.	ea	4
H-1	H001-7018711	120638			WASHER, lock, heavy, S, cd or zn-pltd, $\frac{1}{16}$ in.	ea	4
G-9	7640-T126000		RG-T126000 WO-A1760 FM-GPW3568	14-2	COVER, housing, upper	ea	1
G-9	7640-020122		RG-020122 WO-639107 FM-355426S		SCREW, shoulder, hex-hd, S, $\frac{1}{16}$ -18NC-2 x $\frac{1}{4}$.	ea	3
H-1	H001-7025711	120214			WASHER, lock, med, S, cd or zn-pltd, $\frac{1}{16}$ in.	ea	3
G-9	G102-5322952	A322952	RG-092021 WO-639121 FM-356303S		WASHER, plain, cop., $\frac{3}{16}$ x $\frac{1}{16}$ x $\frac{1}{4}$.	ea	3
G-9	G503-7367859	7367859	RG-400025 WO-639102 FM-GPW3552	14-2	CUP, worm balls	ea	2

(1) NOTE SYMBOL	(2) STOCK NO.	(3) ORDNANCE PART NO.	(4) MFR'S PART NO.	(5) FIGURE NO.	(6) NOMENCLATURE	(7) UNIT OF MEAS- URE	(8) QUAN- TITY PER UNIT ASSEM- BLY
GROUP 14—CONTROLS—Continued							
1401.1—STEERING GEAR ASSEMBLY—Continued							
G-9	7640-T129001	-----	RG-T129001 WO-639119 FM-GPW3581	14-2	GASKET, housing, side cover-----	ea	1
G-9	G503-7767293	7767293	RG-T13086 WO-A1239 FM-GPW3504	-----	GEAR, steering, w/o WHEEL, assy-----	ea	1
H-1	H101-0124155	124155	-----	-----	SCREW, cap, hex-hd, S, cd or zn-pltd, $\frac{3}{16}$ - 20NF-3 x 3.	ea	2
H-1	H101-0124372	124372	-----	-----	SCREW, cap, hex-hd, S, cd or zn-pltd, $\frac{3}{16}$ - 20NF-3 x 4.	ea	1
H-1	H001-4167641	120370	-----	-----	NUT, hex, light, s-fin, S, cd or zn-pltd, $\frac{3}{16}$ - 20NF-2.	ea	3
H-1	H101-0131718	131718	-----	-----	WASHER, lock, int-teeth, reg, S, cd or zn- pltd, $\frac{3}{16}$ in.	ea	3
G-9	G503-7324849	7324849	WO-638381 FM-356439S	-----	WASHER, plain, S, $\frac{1}{2}$ ID x $1\frac{1}{4}$ OD x $\frac{1}{8}$ -----	ea	1
G-9	7640-503284	-----	RG-503284 WO-A740 FM-GPW3548	14-2	HOUSING, assy-----	ea	1
G-9	3320-GPW3509	-----	WO-A1199 FM-GPW3509	14-2	JACKET, w/BEARING, assy-----	ea	1
H-6	H006-0282480	541402	-----	14-2	PLUG, expansion, S, $1\frac{1}{4}$ in. diam (steering gear housing).	ea	1
H-6	H006-0283566	103865	WO-5085	14-2	PLUG, pipe, sq-hd, CI, $\frac{1}{8}$ in. (steering gear hous- ing).	ea	1
G-9	7640-401100	-----	RG-401100 WO-639103 FM-GPW3589	14-2	RING, retaining, worm balls-----	ea	2
G-9	3320-GPW3521	-----	FM-GPW3521	-----	RING, snap, jacket (Ford only)-----	ea	2
G-9	7640-021116	-----	RG-021116 WO-639118 FM-GPW3577	14-2	SCREW, adjusting, arm shaft-----	ea	1
H-1	H001-4185641	124929	-----	14-2	NUT, jam, hex, light, s-fin, S, cd or zn-pltd, $\frac{3}{16}$ -20NF-2.	ea	1
II-13	H013-0500017	500017	-----	14-2	SEAL, oil, type ML, 0.88 x 1.3125 x $\frac{1}{4}$ (steering gear arm shaft)	ea	1

G-9	7640-028093		RG-028093 WO-639192 FM-GPW3518	14-2	SEAT, jacket upper bearing spring-----	ea	1
G-9	7640-7698-4-5-8		RG-7698-4- $\frac{1}{2}$ WO-A745 FM-GPW3575	14-2	SHAFT, arm, w/LEVER, assy-----	ea	1
G-9	7640-503308		WO-A742 FM-GPW3524		SHAFT, w/integral WORM, assy (Includes horn button NUT) (Superseded by SHAFT, assy RG-503308).	ea	1
G-9	7640-503308		RG-503308 WO-A8838 FM-GPW3514	14-2	SHAFT, w/integral WORM, assy (Includes horn button NUT).	ea	1
G-9	3320-GPW3563		WO-638918 FM-GPW3563		SHIM, mounting, housing-----	ea	†
G-9	7640-033046		RG-033046 WO-639108 FM-GPW3593	14-2	SHIM, housing upper cover, S (0.002 thk)-----	ea	†
G-9	7640-033047		RG-033047 WO-639109 FM-GPW3594		(0.003 thk)-----	ea	†
G-9	7640-033048		RG-033048 WO-639110 FM-GPW3595		(0.010 thk)-----	ea	†
G-9	7640-401090		WO-A1422 FM-GPW5116		SPACER, steering gear to frame bolt-----	ea	1
H-1	H001-4027521	221157	RG-401090 WO-639191 FM-GPW3520 WO-A2859 FM-GPW3658	14-2	SPRING, jacket upper bearing-----	ea	1
H-1	H001-5026411	213904			SUPPORT, jacket-----	ea	1
H-1	H001-7025711	120214			NUT, hex, reg, s-fin, S, cd or zn-pltd, $\frac{1}{16}$ - 24NF-2.	ea	3
G-9	3320-GPW3600A		WO-A535 WO-A6343 FM-GPW3600A3	18-2	SCREW, cap, hex-hd, S, cd or zn pltd, $\frac{1}{16}$ - 24NF-2 x $\frac{1}{4}$.	ea	3
G-9	3320-GPW3600A		WO-A6858 FM-GPW3600A	14-2	WASHER, lock, med, S, cd or zn-pltd, $\frac{1}{16}$ in.	ea	3
G-9	7640-026988		RG-026988 WO-A633 FM-GPW3655	14-2	WHEEL, steering, assy (Superseded by WHEEL WO-A6858).	ea	1
					WHEEL, steering, assy-----	ea	1
					NUT, special, hex, $1\frac{1}{16}$ -20NC-2-----	ea	1



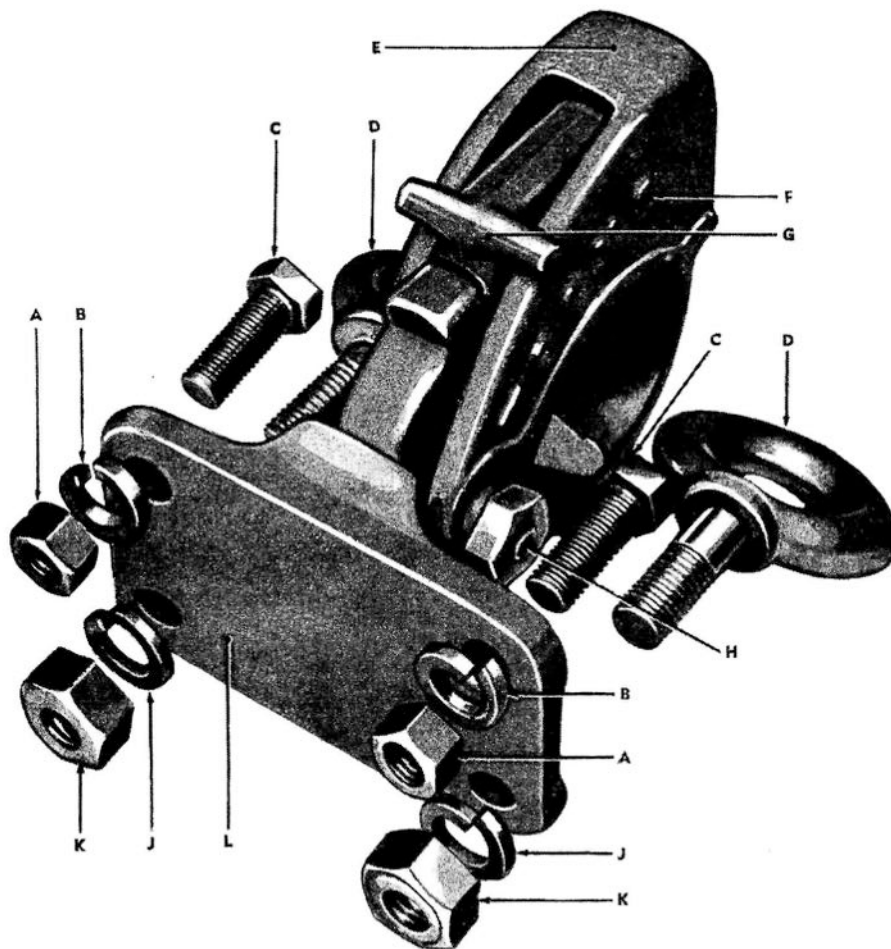
KEY ITEM	PART NO.
A—MEMBER	WO-A547
B—BRACKET	FM-GPW18075
C—BRACKET	WO-A415
D—BRACKET	WO-A1204
E—BRACKET	WO-A1201
F—GUSSET	WO-A1127
G—BRACKET	WO-A1514
H—GUSSET	WO-A1128
J—MEMBER	FM-GPW5019
K—BRACKET	WO-A1205
L—TRAY	FM-GPW5452

KEY ITEM	PART NO.
M—OUTRIGGER	WO-A637
N—BRACE	FM-GPW5181
P—PLATE	WO-A1151
Q—MEMBER	WO-A1150
R—CUP	WO-A6740
S—BRACKET	WO-A185
T—MEMBER	WO-A5127
U—BRACKET	FM-GPW6029
V—BRACKET	FM-GPW6030
W—BRACKET	FM-GPW5072

ALL PARTS LISTED IN GROUP 1501

RA PD 329141G

Figure 15-1. Frame—assembly.



KEY ITEM
 A—NUT
 B—WASHER
 C—SCREW
 D—BOLT
 E—LOCK
 F—PIN
 G—LATCH
 H—BOLT
 J—WASHER
 K—NUT
 L—PINTLE

PART NO.
 121949
 131100
 181667
 WO-A6393
 HLH-T62XA
 HLH-T67
 HLH-T63
 HLH-T64A
 120384
 120378
 NOT SERVICED
 SEPARATELY

ALL PARTS LISTED IN GROUP 1503.

RA PD 342233G

Figure 15-2. Pintle—assembly.

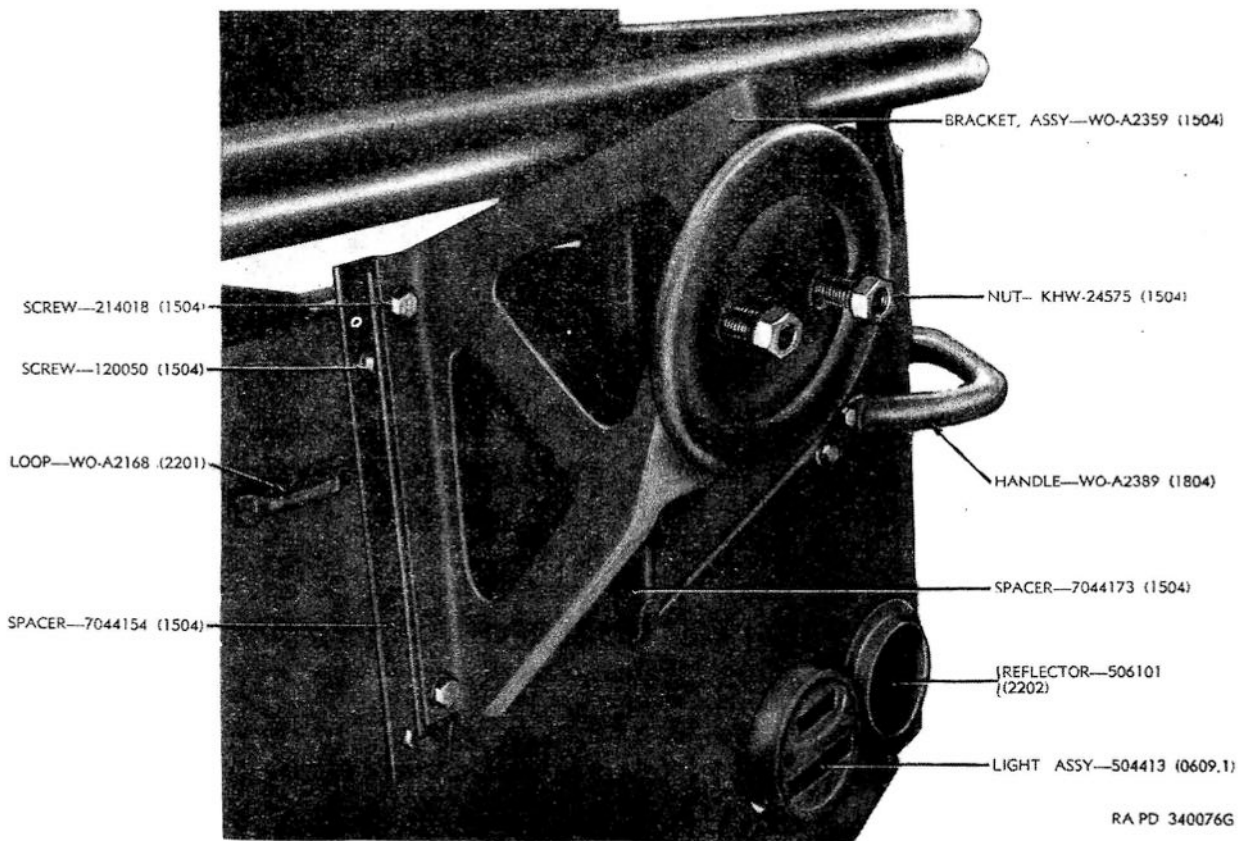


Figure 15-3. Spare wheel carrier.

(1) NOTE SYMBOL	(2) STOCK NO.	(3) ORDNANCE PART NO.	(4) MFR'S PART NO.	(5) FIGURE NO.	(6) NOMENCLATURE	(7) UNIT OF MEAS- URE	(8) QUAN- TITY PER UNIT ASSEM- BLY
					GROUP 15—FRAME		
					1501—FRAME ASSEMBLY		
			WO-A1152		BRACE, machine gun mounting plate	ea	4
			FM-GPW5181	15-1	BRACE, pintle to frame	ea	1
			WO-A1431		BRACKET, body support, rear (Willys)	ea	2
			WO-A1283		BRACKET, brake front hose (frame end)	ea	1
			FM-GPW2073				
			WO-A1341		BRACKET, brake master cylinder, assy	ea	1
			FM-GPW5095				
			WO-A185	15-1	BRACKET, brake pedal retracting spring	ea	1
			FM-GPW5113				
			WO-638809		BRACKET, brake rear hose (Willys only)	ea	1
			FM-GPW6030	15-1	BRACKET, engine support, front, left (Ford only)	ea	1
			WO-A420		BRACKET, engine support, front, left, lower half (Willys only).	ea	1
		7743589	WO-A418		BRACKET, engine support, front, left, upper half (Willys only).	ea	1
			FM-GPW6029	15-1	BRACKET, engine support, front, right (Ford only).	ea	1
			WO-A421		BRACKET, engine support, front, right, lower half (Willys only).	ea	1
			WO-A419		BRACKET, engine support, front, right, upper half (Willys only).	ea	1
			WO-A415	15-1	BRACKET, front intermediate cross member, outer.	ea	2
			FM-GPW5106				
			WO-A1514	15-1	BRACKET, radiator guard support (Willys)	ea	1
			FM-99A5090		BRACKET, radiator guard support (Ford)	ea	1
			WO-A1201	15-1	BRACKET, radiator guard support, side	ea	2
			FM-GPW5057				
			FM-GPW5072	15-1	BRACKET, radiator support (Ford)	ea	2
			WO-A1202		BRACKET, radiator support, left (Willys)	ea	1
			WO-A508		BRACKET, radiator support, right (Willys)	ea	1
G-9	G503-7341767	7341767	WO-A1204	15-1	BRACKET, shock absorber, front, left, w/SHAFT, assy.	ea	1
			FM-GPW18041				
G-9	G503-7341768	7341768	WO-A1205	15-1	BRACKET, shock absorber, front, right, w/SHAFT, assy.	ea	1
			FM-GPW18040				
G-9	G503-7743691	7743691	FM-GPW18075	15-1	BRACKET, shock absorber, rear, w/SHAFT, assy (Ford).	ea	2

(1) NOTE SYMBOL	(2) STOCK NO.	(3) ORDNANCE PART NO.	(4) MFR'S PART NO.	(5) FIGURE NO.	(6) NOMENCLATURE	(7) UNIT OF MEAS- URE	(8) QUAN- TITY PER UNIT ASSEM- BLY
GROUP 15—FRAME—Continued							
1501—FRAME ASSEMBLY—Continued							
	G503-7341765	7341765	WO-A484	-----	BRACKET, shock absorber, rear, left, w/SHAFT, assy (Willys).	ea	1
	G503-7341766	7341766	WO-A485	-----	BRACKET, shock absorber, rear, right, w/SHAFT, assy (Willys)	ea	1
G-9	G503-7697868	7697868	WO-A500 FM-GPW5341	16-2	BRACKET, spring pivot.-----	ea	4
G-9	3320 GPW5337	-----	WO-A544 FM-GPW5337	16-2	BRACKET, spring shackle.-----	ea	4
G-9	3320 GPW5084	-----	WO-A6740 FM-GPW5084 FM-GPW5005	15-1	CUP, retaining, transfer case support insulator (Also listed in group 0800).	ea	1
			FM-GPW5005B	-----	FRAME, assy (Ford) (Superseded by FRAME, assy FM-GPW5005B).	ea	1
			WO-A1142	-----	FRAME, assy (Ford)-----	ea	1
			WO-A5415	-----	FRAME, assy (Willys)-----	ea	1
				-----	GUARD, exhaust pipe (Willys after Serial No. 120700).	ea	1
H-1	H101-0118682	118682	-----	-----	BOLT, carriage, rd-hd, sq-nk, S (w/o NUT) $\frac{3}{8}$ -16NC-2 x $\frac{7}{8}$.	ea	2
H-1	H001-4167581	120377	-----	-----	NUT, hex, light, s-fin, S, cd or zn-pltd, $\frac{3}{8}$ -16NC-2.	ea	2
H-1	H001-5027131	213928	-----	-----	SCREW, cap, hex-hd, S, cd or zn-pltd, $\frac{3}{8}$ -24NF-2 x 1.	ea	1
H-1	H001-7025741	120382	-----	-----	WASHER, lock, med, S, cd or zn-pltd, $\frac{3}{8}$ in.	ea	3
H-1	H001-7043741	120394	-----	-----	WASHER, plain, SAE std, S, cd or zn-pltd, $\frac{3}{8}$ in.	ea	3
			WO-303922	-----	WASHER, plain, special, $\frac{3}{8}$ in. ($\frac{7}{16}$ ID x $1\frac{1}{2}$ OD).	ea	1
G-9	G503-7698448	7698448	WO-A1129 FM-GPW17753	-----	GUSSET, front bumper, left, lower.-----	ea	1
G-9	G503-7698450	7698450	WO-A1127 FM-GPW17755	15-1	GUSSET, front bumper, left, upper.-----	ea	1
G-9	G503-7698449	7698449	WO-A1130 FM-17752	-----	GUSSET, front bumper, right, lower.-----	ea	1
G-9	G503-7740808	7740808	WO-A1128 FM-17754	15-1	GUSSET, front bumper, right, upper.-----	ea	1

G-9	9680-A1203		WO-A1203		MEMBER, cross, front (Willys only)-----	ea	1
G-9	3320-GPW5019		FM-GPW5019	15-1	MEMBER, cross, front (Ford only)-----	ea	1
			WO-A5127	15-1	MEMBER, cross, intermediate, front-----	ea	1
			FM-GPW5025				
H-1	H001-4167601	120369			NUT, hex, light, s-fin, S, cd or zn-pltd, $\frac{3}{8}$ -24NF-2.	ea	6
H-1	H001-5027121	213925			SCREW, cap, hex-hd, S, cd or zn-pltd, $\frac{3}{8}$ -24NF-2 x $\frac{7}{8}$ (Willys).	ea	6
H-1	H001-5027131	213928			SCREW, cap, hex-hd, S, cd or zn-pltd, $\frac{3}{8}$ -24NF-2 x 1 (Ford).	ea	6
H-1	H001-7025741	120382			WASHER, lock, med, S, cd or zn-pltd, $\frac{3}{8}$ in.	ea	6
H-1	H001-7043741	120394			WASHER, plain, SAE std, S, cd or zn-pltd, $\frac{3}{8}$ in.	ea	6
			WO-A1150	15-1	MEMBER, cross, intermediate, rear-----	ea	1
			FM-GPW5028				
			WO-A1153		MEMBER, cross, intermediate, rear (Willys only)-----	ea	1
			WO-A547	15-1	MEMBER, cross, rear-----	ea	1
			FM-GPW5035				
			MSP-F2005		NUT, clinch, S, $\frac{1}{4}$ -28NF-2-----	ea	2
			WO-A668				
			MSP-F2009		NUT, clinch, S, $\frac{3}{8}$ -24NF-2-----	ea	11
			WO-A549				
			MSP-F2007		NUT, clinch, S, $\frac{3}{8}$ -24NF-2-----	ea	5
			WO-A548				
G-9	G503-7697870	7697870	WO-A637	15-1	OUTRIGGER, body-----	ea	4
			FM-GPW5077				
			WO-A1151	15-1	PLATE, mounting, machine gun-----	ea	1
			FM-GPW5125				
			WO-A534		PLATE, reinforcement, rear-----	ea	1
			FM-GPW5097				
G-9	G503-7697869	7697869	WO-A1253		PLATE, skid, exhaust pipe guard (under frame) (used w/external contracting hand brakes).	ea	1
			FM-GPW5291B				
H-1	H101-0118682	118682			BOLT, carriage, rd-hd, sq-nk, S (w/o nut) $\frac{3}{8}$ -16NC-2 x $\frac{7}{8}$.	ea	4
H-1	H001-4167581	120377			NUT, hex, light, s-fin, S, cd or zn-pltd, $\frac{3}{8}$ -16NC-2.	ea	4
H-1	H001-7025741	120382			WASHER, lock, med, S, cd or zn-pltd, $\frac{3}{8}$ in.	ea	4
H-1	H001-7043741	120394			WASHER, plain, SAE std, S, cd or zn-pltd, $\frac{3}{8}$ in.	ea	4
			WO-A8858		PLATE, skid, exhaust pipe guard (under frame) (used w/internal expanding hand brakes).	ea	1
H-1	H101-0118682	118682			BOLT, carriage, rd-hd, sq-nk, S (w/o NUT) $\frac{3}{8}$ -16NC-2 x $\frac{7}{8}$.	ea	4
H-1	H001-5027131	213928			SCREW, cap, hex-hd, S, cd or zn-pltd, $\frac{3}{8}$ -24NF-2 x 1.	ea	1

(1) NOTE SYMBOL	(2) STOCK NO.	(3) ORDNANCE PART NO.	(4) MFR'S PART NO.	(5) FIGURE NO.	(6) NOMENCLATURE	(7) UNIT OF MEAS- URE	(8) QUAN- TITY PER UNIT ASSEM- BLY
GROUP 15—FRAME—Continued							
1501—FRAME ASSEMBLY—Continued							
H-1	H001-4167581	120377	-----	-----	NUT, hex, light, s-fin, S, cd or zn-pltd, 3/8-16NC-2.	ea	4
H-1	H001-7025741	120382	-----	-----	WASHER, lock, med, S, cd or zn-pltd, 3/8 in.	ea	4
H-1	H001-7043741	120394	-----	-----	WASHER, plain, SAE std, S, cd or zn-pltd, 3/8 in.	ea	4
			WO-303922	-----	WASHER, plain, special, 3/8 in. (3/16 ID x 1 1/2 OD).	ea	1
			FM-GPW5016	-----	RAIL, side, left	ea	1
			FM-GPW5015	-----	RAIL, side, right	ea	1
			WO-A1120	-----	SPACER, front bumper gusset	ea	2
			FM-GPW17759	-----			
			WO-A416	-----	SPACER, front intermediate cross member side bracket.	ea	2
G-9	G503-7697854	7697854	FM-GPW5452	15-1	TRAY, battery (Ford)	ea	1
	G503-7697854	7697854	WO-A1138	-----	TRAY, battery (Willys, before Serial No. 120700)	ea	1
	G503-7744585	7744585	WO-A5181	-----	TRAY, battery (Willys, after Serial No. 120700)	ea	1
1503—PINTLE ASSEMBLY							
G-9	G529-7010531	7010531	WO-A6393 FM-GPW5186	15-2	BOLT, eye, S, cd, 1 1/4 eye, 1/2-13NC-2 x 1 1/2 (safety chain).	ea	2
H-1	H001-4167661	120378	-----	15-2	NUT, hex, light, s-fin, S, cd or zn-pltd, 1/2- 13NC-2.	ea	2
H-1	H001-7025801	120384	-----	15-2	WASHER, lock, med, S, cd or zn-pltd, 1/2 in.	ea	2
G-9	G179-7062002	7062002	HLH-T63	15-2	LATCH, pintle lock	ea	1
G-9	G179-7062001	7062001	HLH-T62XA	15-2	LOCK, hook	ea	1
H-1	H001-1013056	217041	HLH-T64A	15-2	BOLT, hex-hd, S, 1/16-14NC-2 x 1 3/4	ea	1
H-1	H001-4185620	114504	HLH-T65A	-----	NUT, jam, hex, light, s-fin, S, 1/16-14NC-2	ea	1
H-1	H001-1518010	103322	HLH-T62	-----	WASHER, lock, med, S, 1/16 in.	ea	1
G-9	G240-7326316	7326316	HLH-T67	15-2	PIN, pivot, latch	ea	1
G-9	4410-T60B	-----	HLH-T60B WO-A593 FM-GPW5182	-----	PINTLE, assy (Does not include eye BOLTS and attaching parts).	ea	1
H-1	H001-4171641	121949	-----	15-2	NUT, hex, light, s-fin, S, cd or zn-pltd, 1/16-20NF-3.	ea	2

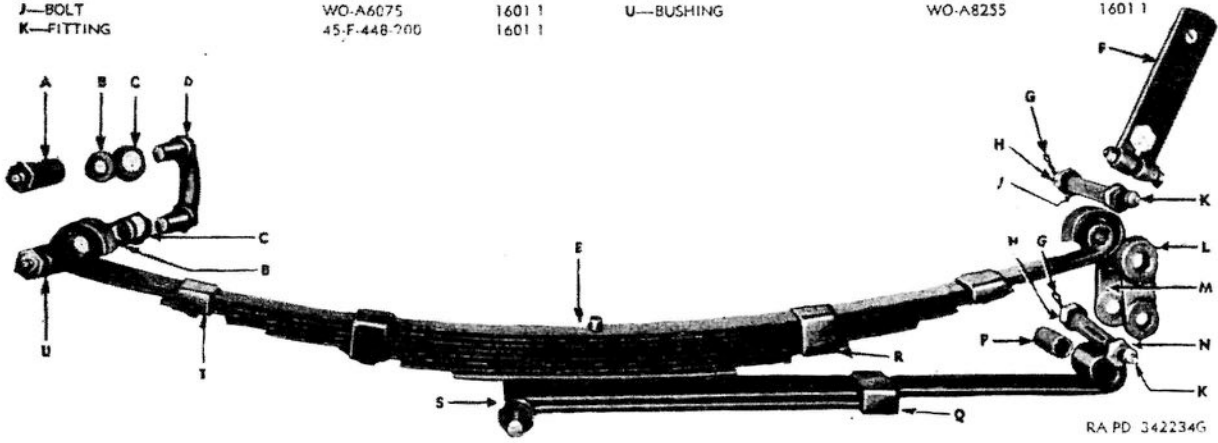
H-1	H001-5456941	181667	-----	15-2	SCREW, cap, hex-hd, S, cd or zn-pltd, 1/16-20NF-3 x 1 1/8.	ea	2
H-1	H101-0131100	131100	-----	15-2	WASHER, lock, heavy, S, cd or zn-pltd, 1/16 in.	ea	2
G-9	G240-7326315	7326315	HLH-78	-----	SPRING, lock latch	ea	1
1504-SPARE WHEEL CARRIER							
G-9	G503-7099909	7099909	WO-A2359 FM-GPW1433B	15-3	BRACKET, carrier, spare wheel, assy	ea	1
H-1	H001-4167541	120376	-----	-----	NUT, hex, light, s-fin, S, cd or zn-pltd, 1/16-18NC-2.	ea	4
H-1	H001-5026111	214018	-----	15-3	SCREW, cap, hex-hd, S, cd or zn-pltd, 1/16-18NC-2 x 3/8.	ea	2
H-1	H101-0216933	216933	-----	-----	SCREW, cap, hex-hd, S, cd or zn-pltd, 1/16-18NC-2 x 1 1/4.	ea	2
H-1	H001-7025711	120214	-----	-----	WASHER, lock, med, S, cd or zn-pltd, 1/16 in.	ea	4
			WO-A11701	-----	BRACKET, spare wheel, lower (for 6.00 x 16 tires).	ea	1
		7044167	-----	-----	BRACKET, spare wheel, lower (for 7.50 x 16 tires).	ea	1
H-1	H001-4167581	120377	-----	-----	NUT, hex, light, s-fin, S, cd or zn-pltd, 3/8-16NC-2.	ea	2
H-1	H001-5026731	213600	-----	-----	SCREW, cap, hex-hd, S, cd or zn-pltd, 3/8-16NC-2 x 3/8.	ea	2
H-1	H001-7025741	120382	-----	-----	WASHER, lock, med, S, cd or zn-pltd, 3/8 in.	ea	2
H-1	H001-7043741	120394	-----	-----	WASHER, plain, SAE std, S, cd or zn-pltd, 3/8 in.	ea	2
M-5	G503-0314839	A232405	KHW-24575 WO-A476 FM-GP1012	15-3	NUT, special, hex, S, 1/2-20NF-2, RH thread (for mounting spare wheel).	ea	2
		7044154	-----	15-3	SPACER, bracket left, (used w/7.50 x 16 tires only).	ea	1
		7044173	-----	15-3	SPACER, bracket, right (used w/7.50 x 16 tires only).	ea	1
H-1	H001-4171545	123208	-----	-----	NUT, hex, light, s-fin, S, phos-ctd, 1/16- 18NC-3.	ea	4
		120050	-----	15-3	SCREW, cap, hex-hd, S, phos-ctd, 1/16- 18NC-3 x 3/4.	ea	4
H-1	H101-0116120	116120	-----	-----	WASHER, lock, med, S, phos-ctd, 1/16 in.	ea	4

KEY ITEM
 A—BUSHING
 B—SEAL
 C—RETAINER
 D—BOLT
 E—SPRING, ASSY
 F—LOCK, ASSY
 G—PIN
 H—NUT
 J—BOLT
 K—FITTING

PART NO. GROUP
 WO-A8256 1601.1
 WO-A515 1601.1
 WO-A1252 1601.1
 WO-A513 1601.1
 WO-A612 1601
 WO-A6326 1601.1
 103374 1601.1
 WO-6436 1601.1
 WO-A6075 1601.1
 45-F-44B-700 1601.1

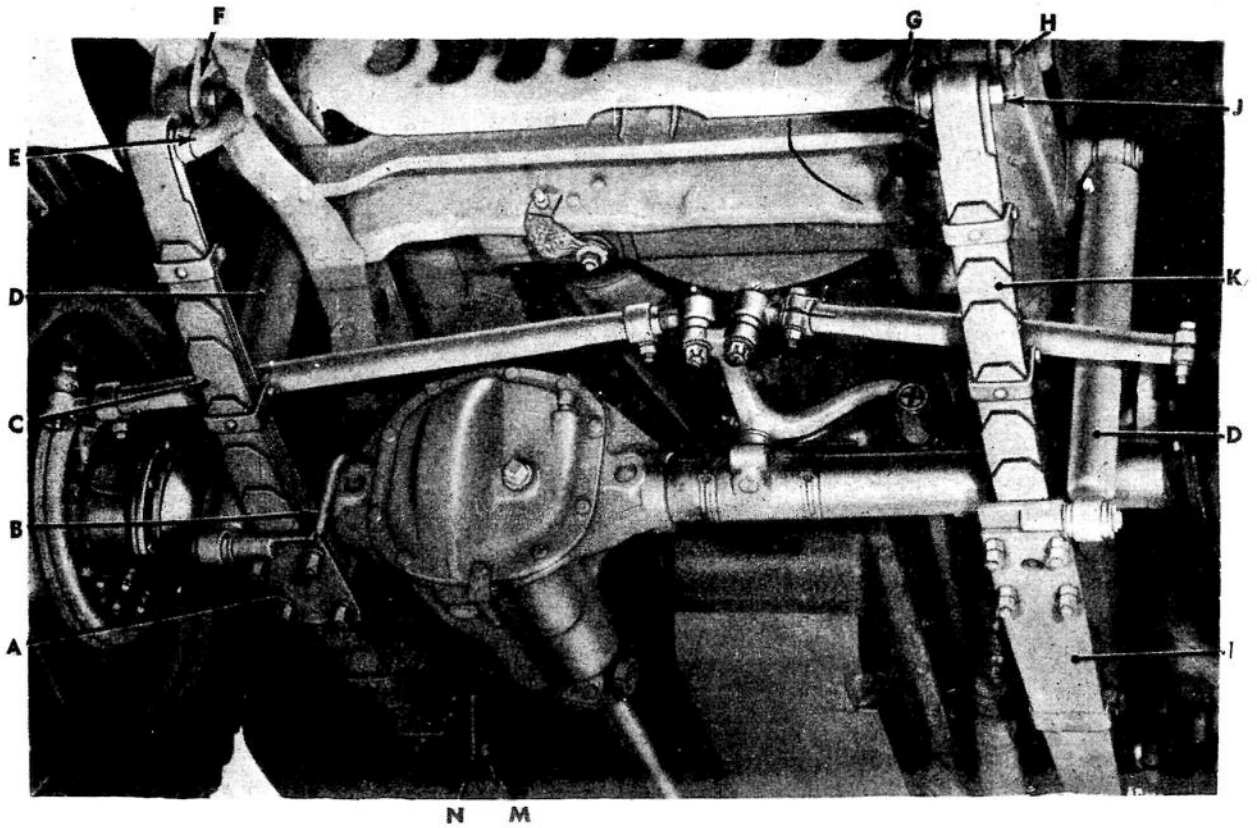
KEY ITEM
 L—SHACKLE, ASSY
 M—SHACKLE, ASSY
 N—BOLT
 P—BUSHING
 Q—CLIP
 R—CLIP
 S—SPRING, ASSY
 T—CLIP
 U—BUSHING

PART NO. GROUP
 WO-A6069 1602
 WO-A6068 1602
 WO-A6074 1602
 WO-A6067 1602
 WO-A6169 1602
 WO-116460 1601
 WO-A6066 1602
 WO-116458 1601
 WO-A8255 1601.1



RA PD 342234G

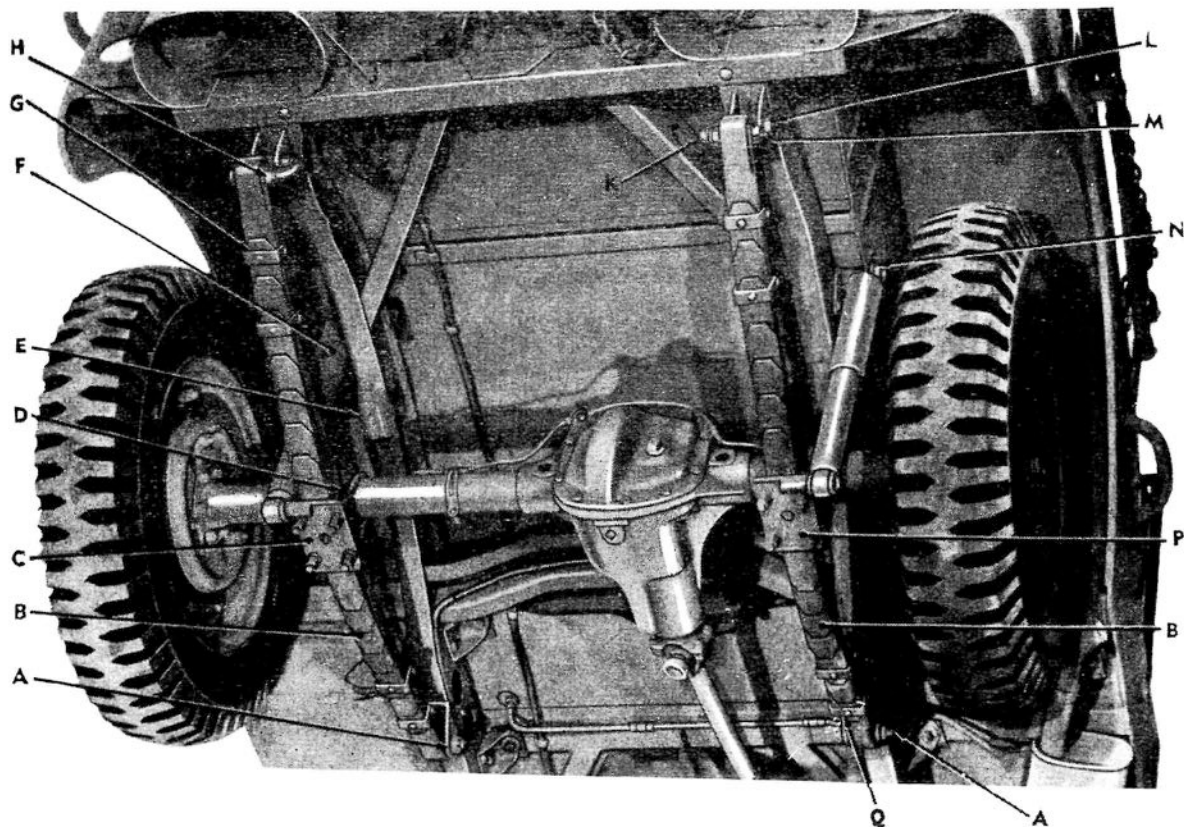
Figure 16-1. Front left spring assembly



KEY ITEM	PART NO.	GROUP
A—PLATE, ASSY	WO-A568	1601 1
B—CLIP	WO-A574	1601 1
C—SPRING, ASSY	WO-A613	1601
D—ABSORBER, ASSY	MAE-11465	1604
E—BOLT	WO-A514	1601 1
F—BRACKET	WO-A544	1501
G—BOLT	WO-A513	1601 1
H—BUSHING	WO-A8256	1601 1
J—BUSHING	WO-A8255	1601 1
K—SPRING, ASSY	WO-A612	1601
L—SPRING, ASSY	WO-A6066	1602
M—BOLT	WO-384228	1601 1
N—BRACKET	WO-A500	1501

RA PD 329205G

Figure 16-2. Front spring and shock absorbers, installed.



KEY ITEM

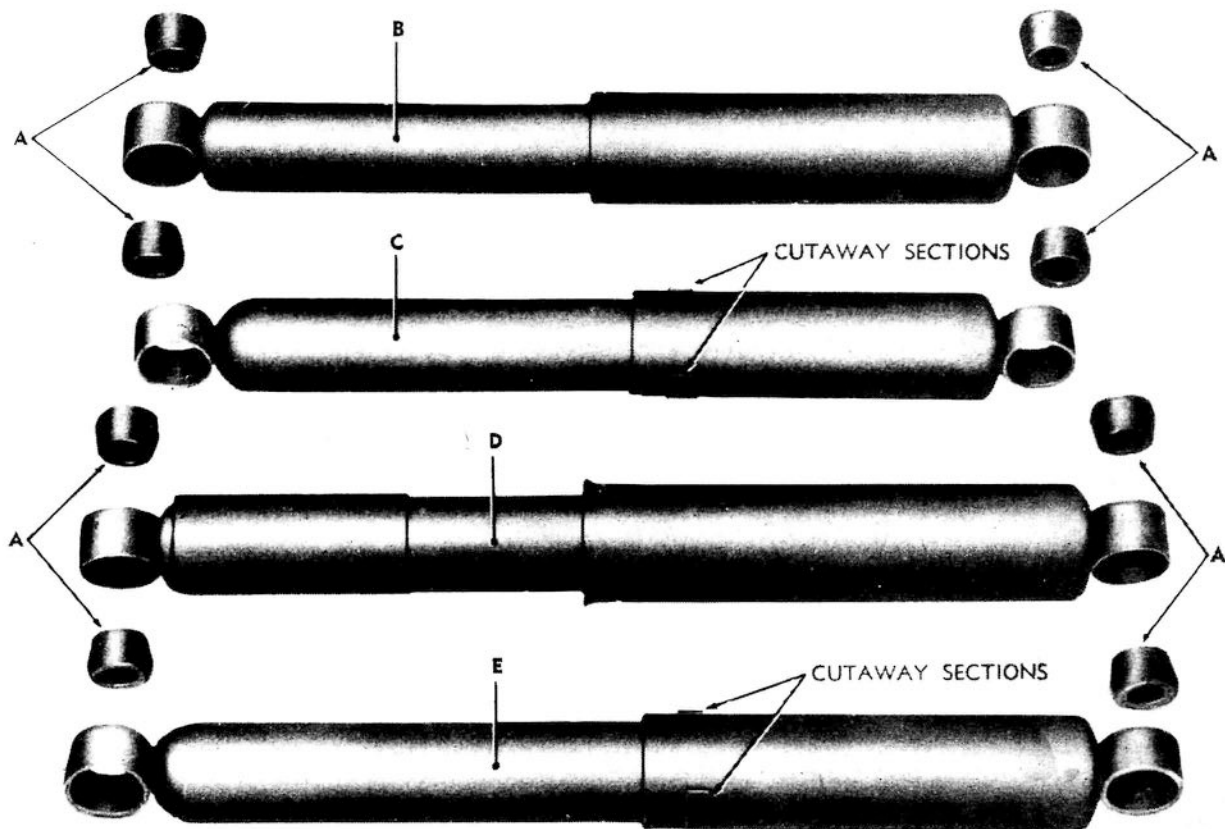
A—BOLT
 B—SPRING, ASSY
 C—PLATE, ASSY
 D—CLIP
 E—BUMPER
 F—ABSORBER, ASSY
 G—CLIP
 H—BOLT
 J—BUMPERETTE
 K—BOLT
 L—BUSHING
 M—BUSHING
 N—WASHER
 P—PLATE, ASSY
 Q—CLIP

PART NO.
 WO-384228
 WO-A614
 WO-A571
 WO-A575
 WO-A481
 MAE-11466
 WO-116459
 WO-A514
 WO-A1157
 WO-A513
 WO-A8256
 WO-A8255
 WO-A227
 WO-A572
 WO-116589

GROUP
 1601.1
 1601
 1601.1
 1601.1
 1604
 1604
 1601
 1601.1
 2101
 1601.1
 1601.1
 1601.1
 1604
 1601.1
 1601

RA PD 329206G

Figure 16-3. Rear spring and shock absorbers, installed.



KEY ITEM

- A—BUSHING
- B—ABSORBER
- C—ABSORBER
- D—ABSORBER
- E—ABSORBER

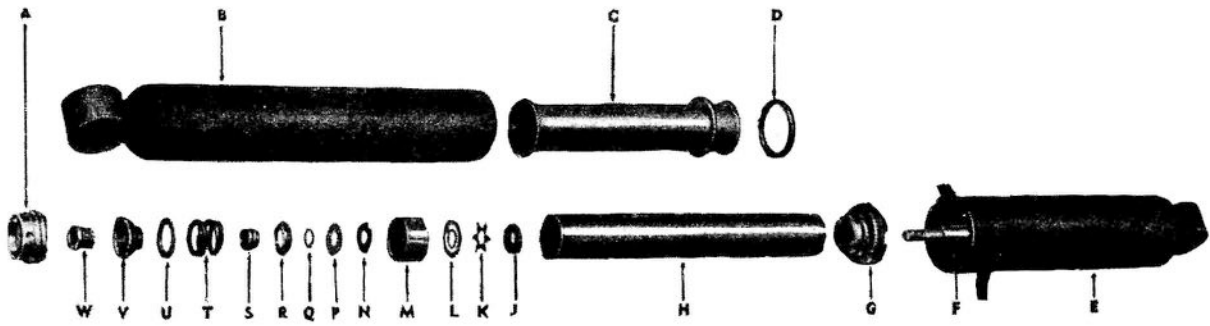
PART NO.

- HP-779
- WO-A169
- MAE-11465
- WO-A170
- MAE-11466

ALL PARTS LISTED IN GROUP 1604

RA PD 28870G

Figure 16-4. Shock absorbers assembly.



KEY ITEM	PART NO.	KEY ITEM	PART NO.
A—VALVE, ASSY	MAE-83C1	K—SPRING	MAE-10639B
B—{BASE, FRONT	{MAE-12626	L—VALVE	MAE-10640B
{BASE, REAR	{MAE-12627	M—PISTON	MAE-10966
C—{SLEEVE, ASSY FRONT	{MAE-12468	N—{SPACER, FRONT	{MAE-10863-2
{SLEEVE, ASSY REAR	{MAE-12469	{SPACER, REAR	{MAE-10863-1
D—GASKET	MAE-10875	P—DISK	MAE-10849-6
E—{HEAD, ASSY FRONT	{MAE-12628	Q—PLATE	MAE-10856-8
{HEAD, ASSY REAR	{MAE-12629	R—SEAT	MAE-10855
F—{ROD, FRONT	{MAE-12622	S—BUSHING	MAE-12448
{ROD, REAR	{MAE-12623	T—SPRING	MAE-12463
G—GUIDE & HEAD ASSY	MAE-12507	U—WASHER	MAE-12464
H—{TUBE, FRONT	{MAE-12620	V—PLATE	MAE-12631
{TUBE, REAR	{MAE-12621	W—NUT	MAE-12449
J—WASHER	MAE-10906A		

ALL PARTS LISTED IN GROUP 1604.

RA, PD 329198G

Figure 16-5. Shock absorber—exploded view.

(1) NOTE SYMBOL	(2) STOCK NO.	(3) ORDNANCE PART NO.	(4) MFR'S PART NO.	(5) FIGURE NO.	(6) NOMENCLATURE	(7) UNIT OF MEAS- URE	(8) QUAN- TITY PER UNIT ASSEM- BLY
GROUP 16—SPRINGS AND SHOCK ABSORBERS							
1601—AXLE SPRINGS							
G-9	0340-14384	-----	WO-116609 FM-GPW5345A	-----	BOLT, center, front spring (S, $\frac{5}{16}$ -18NC x 2.03) (for 8 leaf Spring).	ea	2
G-9	3320-GPW5333A	-----	WO-116711 FM-GPW5333A	-----	BOLT, center, front spring, w/NUT, assy (S, $\frac{5}{16}$ -24NF x 2 $\frac{3}{4}$) (for 10 leaf spring).	ea	2
G-9	3320-GPW5345B	-----	WO-116610 FM-GPW5345B	-----	BOLT, center, rear spring (S, $\frac{5}{16}$ -18NC x 2.35) (for 9 leaf spring).	ea	2
G-9	3320-GPW5333B	-----	WO-116716 FM-GPW5333B	-----	BOLT, center, rear spring, w/NUT, assy (S, $\frac{5}{16}$ -24NF x 2 $\frac{3}{4}$) (for 11 leaf spring).	ea	2
G-9	3320-GPW5781	-----	WO-359039 FM-GPW5781 FM-GPW5781A	-----	BUSHING, spring eye (0.565 ID x 0.753 OD x 1.68 lgb).	ea	4
G-9	0340-14386	-----	WO-116460 FM-GPW5330B	16-1	CLIP, front spring leaf, large-----	ea	4
G-9	0340-14385	-----	WO-116458 FM-GPW5330A	16-1	CLIP, front spring leaf, small-----	ea	4
G-9	3320-GPW5724B	-----	WO-116589 FM-GPW5724B	16-3	CLIP, rear spring leaf, large-----	ea	4
G-9	3320-GPW5724A	-----	WO-116459 FM-GPW5724A	16-3	CLIP, rear spring leaf, small-----	ea	4
H-1	H001-4183521	122166	-----	-----	NUT, jam, hex, light, s-fin, S, cd or zn-pltd, $\frac{1}{4}$ -28NF-3.	ea	16
H-1	H001-0924143	102677	-----	-----	RIVET, b-hd, S, $\frac{1}{4}$ x $\frac{5}{16}$ -----	ea	16
H-1	H101-0124053	124053	-----	-----	SCREW, cap, hex-hd, S, cd or zn-pltd, $\frac{1}{4}$ -28NF-3 x 2.	ea	16
H-1	H101-0123197	123197	-----	-----	NUT, hex, light, s-fin, S, cd or zn-pltd. $\frac{5}{16}$ -18NC-3 (for spring center bolt).	ea	4
	G503-0389792	-----	WO-A612 FM-GPW5311	16-1, 2	SPRING, front, left, 8 leaf, assy-----	ea	1
					Consists of center BOLT and NUT, CLIPS, and the following:		
G-9	0340-14375	-----	WO-A612-1 FM-GPW5313B	-----	LEAF, No. 1, w/BUSHING, assy (36 $\frac{1}{4}$ between eye centers).	ea	1
G-9	0340-14376	-----	WO-A612-2 FM-GPW5315B	-----	LEAF, No. 2 (36 $\frac{1}{4}$ long)-----	ea	1
G-9	3320-GPW5316B	-----	WO-A612-3 FM-GPW5316B	-----	LEAF, No. 3 (30 long)-----	ea	1

(1) NOTE SYMBOL	(2) STOCK NO.	(3) ORDNANCE PART NO.	(4) MFR'S PART NO.	(5) FIGURE NO.	(6) NOMENCLATURE	(7) UNIT OF MEAS- URE	(8) QUAN- TITY PER UNIT ASSEM- BLY
					GROUP 16—SPRINGS AND SHOCK ABSORBERS— Continued		
					1601—AXLE SPRINGS—Continued		
					SPRING—Continued		
			WO-A612-4 FM-GPW5317B	-----	LEAF, No. 4 (26 long)-----	ea	1
			WO-A612-5 FM-GPW5318B	-----	LEAF, No. 5 (23 long)-----	ea	1
			WO-A612-6 FM-GPW5319B	-----	LEAF, No. 6 (18 long)-----	ea	1
			WO-A612-7 FM-GPW5320B	-----	LEAF, No. 7 (14 long)-----	ea	1
			WO-A612-8 FM-GPW5321B	-----	LEAF, No. 8 (10 long)-----	ea	1
G-9	3320-GPW5310B	-----	WO-A8463 FM-GPW5310B	-----	SPRING, front, left or right, 10 leaf, assy-----	ea	2
			WO-A8463-1	-----	Consists of center BOLT and NUT, CLIPS, and the following: LEAF, No. 1, w/BUSHING, assy (36¼ between eye centers).	ea	2
			WO-A8463-2	-----	LEAF, No. 2 (36¼ between eye centers)	ea	2
			WO-A8463-3	-----	LEAF, No. 3 (32 long)-----	ea	2
			WO-A8463-4	-----	LEAF, No. 4 (28½ long)-----	ea	2
			WO-A8463-5	-----	LEAF, No. 5 (25 long)-----	ea	2
			WO-A8463-6	-----	LEAF, No. 6 (21¼ long)-----	ea	2
			WO-A8463-7	-----	LEAF, No. 7 (19½ long)-----	ea	2
			WO-A8463-8	-----	LEAF, No. 8 (15 long)-----	ea	2
			WO-A8463-9	-----	LEAF, No. 9 (11½ long)-----	ea	2
			WO-A8463-10	-----	LEAF, No. 10 (8¼ long)-----	ea	2
	G503-0389793	-----	WO-A613 FM-GPW5310	16-2	SPRING, front, right, 8 leaf, assy-----	ea	1
					Consists of center BOLT and NUT, CLIPS and the following: LEAF, No. 1, w/BUSHING, assy (36¼ between eye centers).	ea	1
G-9	3320-GPW5313A	-----	WO-A613-1 FM-GPW5313A	-----	LEAF, No. 2 (36¼ long)-----	ea	1
G-9	3320-GPW5315A	-----	WO-A613-2 FM-GPW5315A	-----	LEAF, No. 3 (30 long)-----	ea	1
G-9	3320-GPW5316A	-----	WO-A613-3 FM-GPW5316A	-----		ea	1

		WO-A613-4 FM-GPW5317A		LEAF, No. 4 (26 long)-----	ea	1
		WO-A613-5 FM-GPW5318A		LEAF, No. 5 (23 long)-----	ea	1
		WO-A613-6 FM-GPW5319A		LEAF, No. 6 (18 long)-----	ea	1
		WO-A613-7 FM-GPW5320A		LEAF, No. 7 (14 long)-----	ea	1
		WO-A613-8 FM-GPW5321A		LEAF, No. 8 (10 long)-----	ea	1
	G503-0389784	WO-A614 FM-GPW5560	16-3	SPRING, rear, 9 leaf, assy-----	ea	2
				Consists of center BOLT and NUT, CLIPS and the following:		
G-9	3320-GPW5564	WO-A614-1 FM-GPW5563 FM-GPW5564		LEAF, No. 1, w/BUSHING, assy (42 between eye centers).	ea	2
G-9	3320-GPW5565	WO-A614-2 FM-GPW5565		LEAF, No. 2 (42 long)-----	ea	2
G-9	3320-GPW5566	WO-A614-3 FM-GPW5566		LEAF, No. 3 (36 long)-----	ea	2
		WO-A614-4 FM-GPW5567		LEAF, No. 4 (32 long)-----	ea	2
		WO-A614-5 FM-GPW5568		LEAF, No. 5 (28 long)-----	ea	2
		WO-A614-6 FM-GPW5569		LEAF, No. 6 (23 long)-----	ea	2
		WO-A614-7 FM-GPW5570		LEAF, No. 7 (19 long)-----	ea	2
		WO-A614-8 FM-GPW5571		LEAF, No. 8 (15 long)-----	ea	2
		WO-A614-9 FM-GPW5572		LEAF, No. 9 (11 long)-----	ea	2
G-9	3320-GPW5560B	WO-A15728 FM-GPW5560B		SPRING, rear, 11 leaf, assy-----	ea	2
				Consists of center BOLT and NUT, CLIPS and the following:		
		WO-A15728-1		LEAF, No. 1 (42 between eye centers)---	ea	2
		WO-A15728-2		LEAF, No. 2 (42 between eye centers)---	ea	2
		WO-A15728-3		LEAF, No. 3 (37 $\frac{7}{8}$ long)-----	ea	2
		WO-A15728-4		LEAF, No. 4 (33 $\frac{1}{2}$ long)-----	ea	2
		WO-A15728-5		LEAF, No. 5 (30 $\frac{3}{32}$ long)-----	ea	2
		WO-A15728-6		LEAF, No. 6 (27 $\frac{3}{32}$ long)-----	ea	2
		WO-A15728-7		LEAF, No. 7 (23 $\frac{1}{16}$ long)-----	ea	2
		WO-A15728-8		LEAF, No. 8 (20 long)-----	ea	2
		WO-A15728-9		LEAF, No. 9 (16 $\frac{1}{32}$ long)-----	ea	2
		WO-A15728-10		LEAF, No. 10 (13 $\frac{1}{32}$ long)-----	ea	2
		WO-A15728-11		LEAF, No. 11 (10 long)-----	ea	2

(1) NOTE SYMBOL	(2) STOCK NO.	(3) ORDNANCE PART NO.	(4) MFR'S PART NO.	(5) FIGURE NO.	(6) NOMENCLATURE	(7) UNIT OF MEAS- URE	(8) QUAN- TITY PER UNIT ASSEM- BLY
GROUP 16—SPRINGS AND SHOCK ABSORBERS— Continued							
1601.1—SHACKLES AND SPRING ATTACHING PARTS							
G-9	3320-GPW5608	-----	WO-A6075 FM-GPW5608	16-1	BOLT, pivot, front left spring to shackle-----	ea	1
G-9	3320-GPW5468	-----	WO-384228 FM-GPW5468	16-2, 3	BOLT, pivot, front right and rear left and right spring to shackle.	ea	3
H-1	H101-0125375	125375	WO-6436 FM-34033S18	16-1	NUT, slotted, light, thick, s-fin, S, cd or zn-pltd.	ea	4
H-1	H001-0811040	103374	-----	16-1	PIN, cotter, split, S, $\frac{3}{32}$ x 1-----	ea	4
G-9	0340-14313	-----	WO-A513 FM-GPW5778	16-1, 2, 3	BOLT, "U", spring shackle, LH thread (front end of front left spring and rear end of rear right spring).	ea	2
G-9	0340-14312	-----	WO-A514 FM-GPW5779	16-2, 3	BOLT, "U", spring shackle, RH thread (front end of front right spring and rear end of rear left spring).	ea	2
G-9	3320-GPW5463	-----	WO-635532 FM-GPW5463	-----	BOLT, "U", spring to axle (See CLIP). BUSHING, spring shackle, LH thread, assy (Superseded by BUSHING WO-A8255).	ea	2
G-9	3320-GPW5463	-----	WO-A8255 FM-GPW5463B	16-1, 2, 3	BUSHING, spring shackle, LH thread (front end of front left spring and rear end of rear right spring).	ea	2
G-9	3320-GPW5464B	-----	WO-634432 FM-GPW5464	-----	BUSHING, spring shackle, RH thread (Super- seded by BUSHING WO-A8256).	ea	6
G-9	3320-GPW5464B	-----	WO-A8256 FM-GPW5464B	16-1, 2, 3	BUSHING, spring shackle, RH thread (front end of front right spring and rear end of rear left spring, also all frame ends).	ea	6
G-9	3320-GPW5705	-----	FM-GPW5705	-----	CLIP, spring to axle, left front and left right rear (Superseded by CLIP WO-A575).	ea	6
G-9	3320-GPW5705B	-----	WO-A575 FM-GPW5705B	16-3	CLIP, spring to axle, left front and left and right rear (8 leaf left front and 9 leaf rear springs).	ea	6
G-9	3320-GPW5705C	-----	WO-A8578 FM-GPW5705C	-----	CLIP, spring to axle, left front and left and right rear (10 leaf left front and 11 leaf rear spring).	ea	6
G-9	3320-GPW5453	-----	WO-A574 FM-GPW5453	16-2	CLIP, spring to axle, right front (8 leaf spring) (to axle).	ea	1
G-9	0340-14257	-----	WO-A6511 FM-GPW5455	-----	CLIP, spring to axle, right front (8 leaf spring) (to differential housing).	ea	1

G-9	3320-GPW5455B	-----	WO-A8291 FM-GPW5455B	-----	CLIP, spring to axle, right front (10 leaf spring) (to axle).	ea	1
G-9	3320-GPW5453B	-----	WO-A8289 FM-GPW5453B	-----	CLIP, spring to axle, right front (10 leaf spring) (to differential housing).	ea	1
G-9	3320-GPW5456	-----	WO-339372 FM-GPW5456	-----	NUT, special, hex, $\frac{3}{16}$ -20NF-2-----	ea	16
H-1	H001-7025771	120383	-----	-----	WASHER, lock, med, S, cd or zn-pltd, $\frac{7}{16}$ in.	ea	16
K-3	45-F-430	45-F-430	-----	-----	FITTING, lubricating, hydraulic type, angle 90°, $\frac{1}{4}$ -28NS, male, length over-all $\frac{3}{4}$ in.	ea	4
K-3	45-F-448-200	45-F-448- 200	-----	16-1	FITTING, lubricating, hydraulic type, stght, $\frac{1}{8}$ -27NPT, male, length over-all $1\frac{1}{16}$ in.	ea	2
	G503-7697861	7697861	WO-A6326 FM-GPW5601	16-1	LOCK, spring shackle bolt, assy (front left spring)	ea	1
H-1	H001-4167561	120368	-----	-----	NUT, hex, light, s-fin, S, cd or zn-pltd, $\frac{5}{16}$ - 24NF-2.	ea	1
H-1	H101-0214069	214069	-----	-----	SCREW, cap, hex-hd, S, cd or zn-pltd, $\frac{5}{16}$ - 24NF-2 x 2.	ea	1
H-1	H101-0214167	214167	-----	-----	SCREW, cap, hex-hd, S, cd or zn-pltd, $\frac{7}{16}$ - 20NF-2 x $3\frac{3}{4}$.	ea	1
H-1	H001-7017651	138485	-----	-----	WASHER, lock, ext-teeth, reg, S, cd or zn- pltd, $\frac{5}{16}$ in.	ea	1
	G503-7697848	7697848	WO-A571 FM-GPW5460	16-3	PLATE, left rear spring seat, w/SHAFT, assy----	ea	1
	G503-7697862	7697862	WO-A568 FM-GPW5458	16-2	PLATE, right front spring seat, w/SHAFT, assy--	ea	1
	G503-7343076	7343076	WO-A572 FM-GPW5459	16-3	PLATE, right rear spring seat, w/SHAFT, assy---	ea	1
G-9	0340-14409	-----	WO-A1252 FM-GPW5482	16-1	RETAINER, grease seal, spring shackle-----	ea	8
G-9	0340-14408	-----	WO-A515 FM-GPW5481	16-1	SEAL, grease, spring shackle-----	ea	8
					SHACKLE (See BOLT, "U").		
					1602-TORQUE REACTION SPRING		
G-9	3320-GPW5609	-----	WO-A6074 FM-GPW5609	16-1	BOLT, pivot, torque reaction spring to shackle...	ea	1
H-1	H101-0125375	125375	WO-6436 FM-34033S18	-----	NUT, slotted, light, thick, s-fin, S, cd or zn- pltd, $\frac{5}{16}$ -18NF-2.	ea	1
H-1	H001-0811040	103374	-----	-----	PIN, cotter, split, S, $\frac{3}{32}$ x 1-----	ea	1
G-9	3320-GPW5604	-----	WO-A6072 FM-GPW5604 FM-GPW5604A	-----	BUSHING, inner shackle-----	ea	1
G-9	3320-GPW5607	-----	WO-A6073 FM-GPW5607 FM-GPW5607A	-----	BUSHING, outer shackle-----	ea	1

(1) NOTE SYMBOL	(2) STOCK NO.	(3) ORDNANCE PART NO.	(4) MFR'S PART NO.	(5) FIGURE NO.	(6) NOMENCLATURE	(7) UNIT OF MEAS- URE	(8) QUAN- TITY PER UNIT ASSEM- BLY
GROUP 16—SPRINGS AND SHOCK ABSORBERS— Continued							
1602—TORQUE REACTION SPRING—Continued							
G-9	3320-GPW5610	-----	WO-A6067 FM-GPW5610	16-1	BUSHING, spring leaf eye.	ea	1
	G503-7697850	7697850	WO-A6169 FM-GPW5611	16-1	CLIP, spring leaf.	ea	1
G-9	3320-GPW5587B	-----	FM-GPW5587B	-----	LEAF, spring, No. 1 (Superseded by LEAF WO-A6861).	ea	1
G-9	3320-GPW5587	-----	WO-A6861 FM-GPW5587	-----	LEAF, spring, No. 1.	ea	1
G-9	3320-GPW5590	-----	FM-GPW5590	-----	LEAF, spring, No. 2 (Superseded by LEAF WO-A6168).	ea	1
G-9	3320-GPW5590B	-----	WO-A6168 FM-GPW5590B	-----	LEAF, spring, No. 2.	ea	1
G-9	3320-GPW5602	-----	WO-6068 FM-GPW5602	16-1	SHACKLE, inner, w/BUSHING, assy.	ea	
G-9	3320-GPW5605	-----	WO-A6069 FM-GPW5605	16-1	SHACKLE, outer, w/BUSHING, assy (Super- seded by SHACKLE WO-A6071).	ea	1
	G503-7697875	7697875	WO-A6071 FM-GPW5606	-----	SHACKLE, outer, w/BUSHING, assy.	ea	1
G-9	3320-GPW5588	-----	WO-A6066 FM-GPW5588A FM-GPW5588	16-1, 2	SPRING, torque reaction, assy (Consists of BUSHING, CLIP and two LEAVES).	ea	1
				-----	SPRING, torque reaction, assy (Consists of BUSHING, CLIP and two LEAVES) (Super- seded by SPRING, assy WO-A6066).	ea	1
1604—AXLE BUMPERS AND SHOCK ABSORBERS							
G-9	G503-7088715	7088715	WO-A169 FM-GPW18045	16-4	ABSORBER, shock, front, assy (Gabriel type) (Interchangeable w/ABSORBER, assy MAE- 11465).	ea	2
G-9	G503-7088715	7088715	MAE-11465 WO-A6902	16-2, 4	ABSORBER, shock, front, assy (Monroe type) (Interchangeable w/ABSORBER, assy WO- A169).	ea	2

	G503-7703114	7703114	WO-A170 FM-GPW18080	16-4	ABSORBER, shock, rear, assy (Gabriel type) (Interchangeable w/ABSORBER, assy MAE-11466).	ea	2
	G503-7703114	7703114	MAE-11466 WO-A6903	16-3, 4	ABSORBER, shock, rear, assy (Monroe type) (Interchangeable w/ABSORBER, assy WO-A170).	ea	2
			MAE-12626	16-5	BASE, shock absorber, front (Monroe type)-----	ea	1
			MAE-12627	16-5	BASE, shock absorber, rear (Monroe type)-----	ea	1
	G503-7697860	7697860	WO-A481 FM-GPW5783A	16-3	BUMPER, front and rear axle-----	ea	4
H-1	H001-4171565	121923	-----	-----	NUT, hex, light, s-fin, S, phos-ctd, 5/16-24NF-3-	ea	8
H-1	H001-5419825	118772	-----	-----	SCREW, cap, hex-hd, S, phos-ctd, 5/16-24NF-3 x 3/4.	ea	8
H-1	H101-0116120	116120	-----	-----	WASHER, lock, med, S, phos-ctd, 5/16 in.	ea	8
G-9	G503-7343032	7343032	FM-GPW18060	-----	BUSHING, shock absorber mounting pin, rubber (Superseded by BUSHING HP-779).	ea	16
G-9	G503-7343032	7343032	HP-779 WO-637936 FM-GPW18060A	16-4	BUSHING, shock absorber mounting pin, rubber..	ea	16
			MAE-12448	16-5	BUSHING, shock absorber rebound valve spring seat (Monroe type).	ea	2
			MAE-10849-6	16-5	DISK, shock absorber rebound valve-----	ea	2
			MAE-10875	16-5	GASKET, rubber, shock absorber rod guide (Monroe type).	ea	2
			MAE-10876A	-----	GASKET, shock absorber, piston rod guide oil seal (Monroe type).	ea	2
			MAE-12507	16-5	GUIDE, piston rod, shock absorber, w/SEAL, assy (Monroe type).	ea	2
			MAE-12628	16-5	HEAD, shock absorber, front (Monroe type)-----	ea	1
			MAE-12629	16-5	HEAD, shock absorber, rear (Monroe type)-----	ea	1
			MAE-12449	16-5	NUT, shock absorber piston rod (Monroe type)---	ea	2
			MAE-10966	16-5	PISTON, shock absorber (Monroe type)-----	ea	2
			MAE-12631	16-5	PLATE, adjusting, shock absorber (Monroe type).	ea	2
			MAE-10856-8	16-5	PLATE, backing, shock absorber rebound valve disk (Monroe type).	ea	2
			MAE-12622	16-5	ROD, piston, front shock absorber (Monroe type)..	ea	1
			MAE-12623	16-5	ROD, piston, rear shock absorber (Monroe type)..	ea	1
			MAE-10950	-----	SEAL, oil, shock absorber piston rod guide (Monroe type).	ea	2
			MAE-10855	16-5	SEAT, shock absorber rebound valve spring (Mon- roe type).	ea	2
			MAE-12468	16-5	SLEEVE, shock absorber, front, assy (Monroe type).	ea	1
			MAE-12469	16-5	SLEEVE, shock absorber, rear, assy (Monroe type).	ea	1

(1) NOTE SYMBOL	(2) STOCK NO.	(3) ORDNANCE PART NO.	(4) MFR'S PART NO.	(5) FIGURE NO.	(6) NOMENCLATURE	(7) UNIT OF MEAS- URE	(8) QUAN- TITY PER UNIT ASSEM- BLY
					GROUP 16—SPRINGS AND SHOCK ABSORBERS— Continued		
					1604—AXLE BUMPERS AND SHOCK ABSORBERS—Continued		
			MAE-10863-2	16-5	SPACER, metering, front shock absorber rebound disk (Monroe type).	ea	1
			MAE-10863-1	16-5	SPACER, metering, rear shock absorber rebound disk (Monroe type).	ea	1
			MAE-12463	16-5	SPRING, rebound valve, shock absorber (Monroe type).	ea	2
			MAE-10639B	16-5	SPRING, shock absorber, intake valve (Monroe type).	ea	2
			MAE-12620	16-5	TUBE, shock absorber pressure chamber, front (Monroe type).	ea	1
			MAE-12621	16-5	TUBE, shock absorber pressure chamber, rear (Monroe type).	ea	1
			MAE-83C1	16-5	VALVE, compression, shock absorber, assy (Monroe type).	ea	2
			MAE-10640B	16-5	VALVE, intake, shock absorber (Monroe type)----	ea	2
			MAE-10906A	16-5	WASHER, piston support, shock absorber (Monroe type).	ea	2
			MAE-12464	16-5	WASHER, shock absorber adjusting plate (Monroe type).	ea	2
G-9	3320-351505S	-----	WO-A227	16-3	WASHER, shock absorber mounting pin (plain, S, 5/8 in.) (Superseded by WASHER 7743812).	ea	8
	G503-7743812	7743812	FM-351505S FM-351505S7	-----	WASHER, shock absorber mounting pin (plain, S, cd-pltd, 5/8 in.).	ea	8

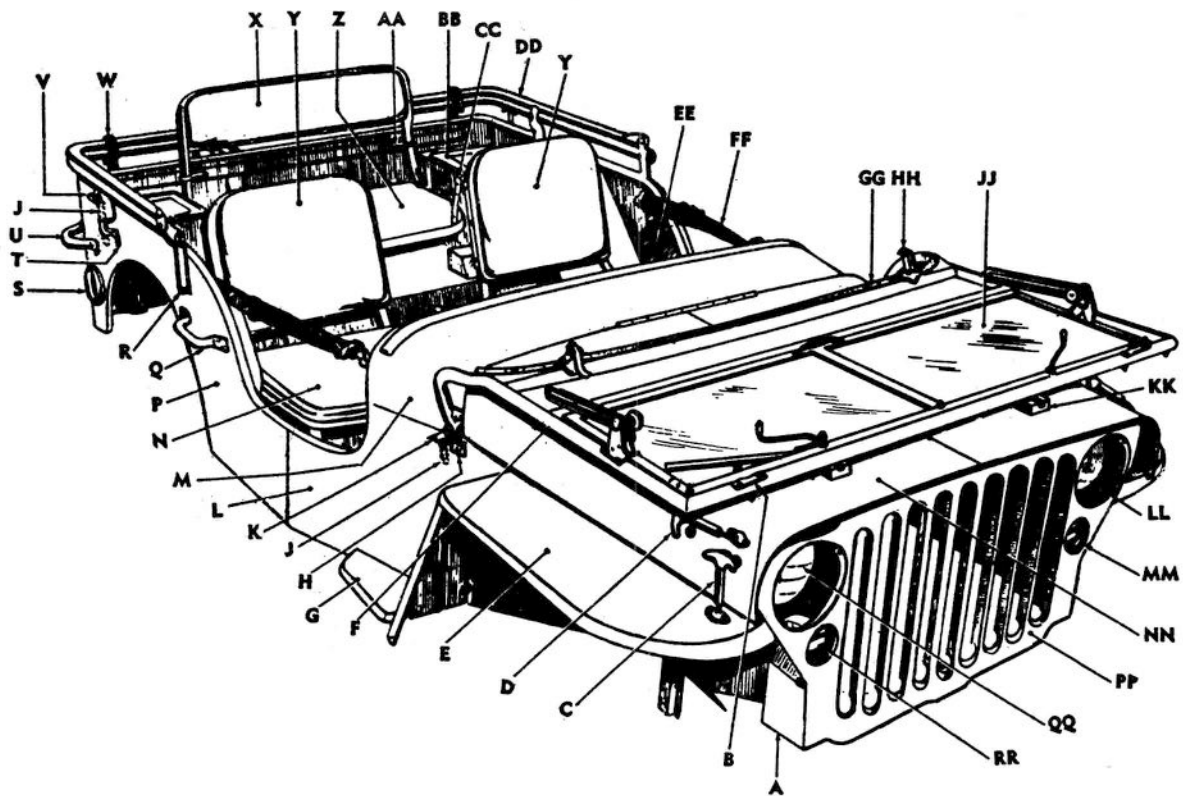
GROUP 17—FENDERS AND HOOD

1701—FENDERS

	G503-7743877	7743877	WO-A3159 FM-GPW16133	-----	ANTISQUEAK, apron to frame-----	ea	3
	G503-7743875	7743875	WO-A2662 FM-GPW16132	-----	ANTISQUEAK, fender to cowl side panel, lower---	ea	2
	G503-7743876	7743876	WO-A3158 GM-GPW16159	-----	ANTISQUEAK, fender to cowl side panel, upper--	ea	2
	G503-7743848	7743848	WO-A2841 FM-GPW16083	-----	APRON, splash, left, fender, assy-----	ea	1
	G503-7743849	7743849	WO-A2842 FM-GPW16082	18-1	APRON, splash, right fender, assy-----	ea	1
H-1	H001-5419821	120741	-----	-----	SCREW, cap, hex-hd, S, cd or zn-pltd, 5/16- 24NF-3 x 3/4.	ea	1
H-1	H001-5421221	123520	-----	-----	SCREW, cap, hex-hd, S, cd or zn-pltd, 3/8- 24NF-3 x 3/4.	ea	4
H-1	H001-7025711	120214	-----	-----	WASHER, lock, med, S, cd or zn-pltd, 5/16 in--	ea	1
H-1	H001-7025741	120382	-----	-----	WASHER, lock, med S, cd or zn-pltd, 3/8 in---	ea	4
			WO-71633 FM-351370S2	-----	WASHER, plain, special, S, phos-ctd, 5/16 x 1 x 1/8.	ea	1
H-1	H001-7045591	120388	-----	-----	WASHER, plain, U S std, S, cd or zn-pltd, 3/8 in.	ea	4
			WO-A2843 FM-GPW16095	-----	BRACE, left fender-----	ea	1
			WO-A2844 FM-GPW16094	-----	BRACE, right fender-----	ea	1
H-1	H101-0215547	215547	-----	-----	SCREW, cap, hex-hd, S, cd or zn-pltd, 3/8- 24NF-2 x 1 3/8.	ea	4
H-1	H001-7025741	120382	-----	-----	WASHER, lock, med, S, cd or zn-pltd, 3/8 in--	ea	4
H-1	H001-7045591	120388	-----	-----	WASHER, plain, U S std, S, cd or zn-pltd, 3/8 in.	ea	4
			WO-A3096 FM-GPW16128	-----	BRACE, voltage regulator (on right fender)-----	ea	2
	G503-7743846	7743846	WO-A2942 FM-GPW16006	-----	FENDER, front left, w/splash APRON, assy-----	ea	1
	G503-7743847	7743847	WO-A2943 FM-GPW16005	18-1	FENDER, front right, w/splash APRON, assy----	ea	1
H-1	H001-4167541	120376	-----	-----	NUT, hex, light, s-fin, S, cd or zn-pltd, 5/16- 18NC-2.	ea	4
H-1	H101-0120373	120373	-----	-----	NUT, sq, reg, unfin, S, cd or zn-pltd, 5/16- 18NC-2.	ea	12

(1) NOTE SYMBOL	(2) STOCK NO	(3) ORDNANCE PART NO.	(4) MFR'S PART NO.	(5) FIGURE NO.	(6) NOMENCLATURE	(7) UNIT OF MEAS- URE	(8) QUAN- TITY PER UNIT ASSEM- BLY
GROUP 17—FENDERS AND HOOD—Continued							
1701—FENDERS—Continued							
FENDER—Continued							
H-1	H001-5026121	216921	FM-353202S2		RETAINER, nut (for $\frac{5}{16}$ square nut)-----	ea	12
H-1	H001-5026131	193990			SCREW, cap, hex-hd, S, cd or zn-pltd, $\frac{5}{16}$ - 18NC-2 x $\frac{3}{4}$.	ea	10
H-1	H001-7025711	120214			SCREW, cap, hex-hd, S, cd or zn-pltd, $\frac{5}{16}$ - 18NC-2 x $\frac{3}{4}$.	ea	6
H-1	H001-7045561	120387			WASHER, lock, med, S, cd or zn-pltd, $\frac{5}{16}$ in.	ea	10
					WASHER, plain, US std, S, cd or zn-pltd, $\frac{5}{16}$ in.	ea	6
			WO-71633		WASHER, plain, special, S, phos-ctd, $\frac{5}{16}$ x 1 x $\frac{1}{16}$.	ea	4
			FM-351370S2		FILLER, fender brace (wood)-----	ea	2
			WO-A2891		NUT, clinch, $\frac{5}{16}$ -18NC-2 (on cowl side panel for front fender).	ea	6
			FM-GPW16105		NUT, clinch, $\frac{5}{16}$ -24NF-2 (on right fender for generator regulator).	ea	4
			WO-662010				
			FM-353202S				
			WO-A2375				
			FM-350976S2				
1703—HOOD							
G-9	G503-7697851	7697851	WO-A3059		BRACKET, hood catch-----	ea	2
			FM-GPW16684				
H-1	H001-4167501	120375			NUT, hex, light, s-fin, S, cd or zn-pltd, $\frac{1}{4}$ - 20NC-2.	ea	4
H-1	H001-5025511	216915			SCREW, cap, hex-hd, S, cd or zn-pltd, $\frac{1}{4}$ - 20NC-2 x $\frac{3}{4}$.	ea	4
H-1	H001-7025681	120380			WASHER, lock, med, S, cd or zn-pltd, $\frac{1}{4}$ in.	ea	4
H-1	H001-7045531	120386			WASHER, plain, US std, S, cd or zn-pltd, $\frac{1}{4}$ in.	ea	4
G-9	G503-7698438	7698438	WO-A3780	18-1	BUMPER, windshield, hood top (wood)-----	ea	2
			FM-GTB16849A				
H-1	H001-4135681	120614			NUT, mach screw, hex, S, cd or zn-pltd, No. 10-32NF-2.	ea	4

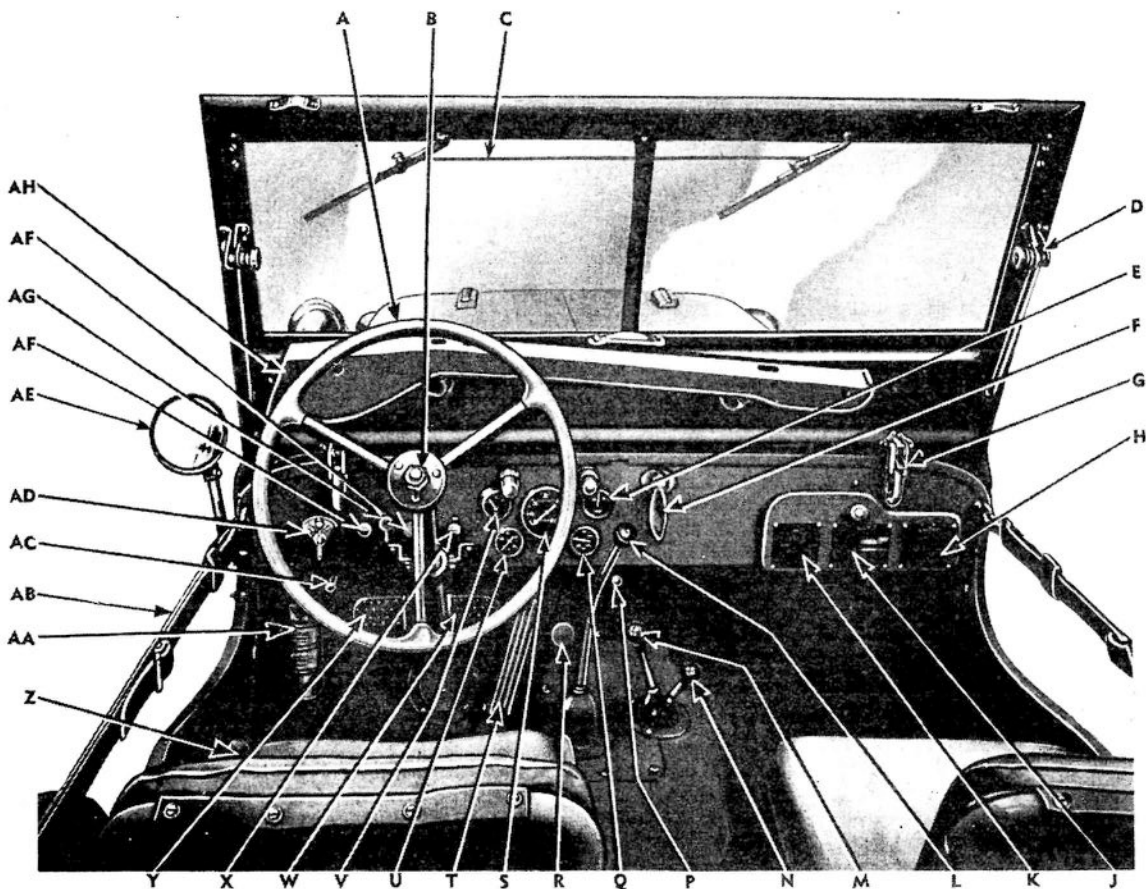
H-1	H001-5148881	132919			SCREW, mach, rd-hd, S, cd or zn-pltd, No. 10-32NF-2 x 7/8.	ea	4
H-1	H001-7025621	120217			WASHER, lock, med, S, cd or zn-pltd, No. 10.	ea	4
H-1	H001-7045491	120385			WASHER, plain, US std, S, cd or zn-pltd, No. 10.	ea	4
G-9	3320-GPW16892		WO-A2896 FM-GPW16892	18-1	CATCH, hold down, hood, assy-----	ea	2
G-9	3320-GPW1103027		WO-A3197 FM-GPW1103027	18-1	CATCH, hold down, windshield, assy-----	ea	2
H-1	H001-4167501	120375			NUT, hex, light, s-fin, S, cd or zn-pltd, 1/4-20NC-2.	ea	8
H-1	H001-5025511	216915			SCREW, cap, hex-hd, S, cd or zn-pltd, 1/4-20NC-2 x 7/8.	ea	8
H-1	H001-7025681	120380			WASHER, lock, med, S, cd or zn-pltd, 1/4 in.	ea	8
H-1	H001-7043681	120392			WASHER, plain, SAE std, S, cd or zn-pltd, 1/4 in.	ea	8
G-9	G503-7698439	7698439	WO-A2188 FM-GPW16802		HINGE, hood, assy-----	ea	1
H-1	H001-4029501	120372			NUT, sq, reg, unfin, S, cd or zn-pltd, 1/4-20NC-2.	ea	5
			FM-353201S		RETAINER, nut (for 1/4 square nut)-----	ea	5
H-1	H001-5025511	216915			SCREW, cap, hex-hd, S, cd or zn-pltd, 1/4-20NC-2 x 7/8.	ea	3
H-1	H001-5025521	214002			SCREW, cap, hex-hd, S, cd or zn-pltd, 1/4-20NC-2 x 3/4.	ea	2
H-1	H001-7017621	121753			WASHER, lock, ext-teeth, reg, S, cd or zn-pltd, 1/4 in.	ea	2
H-1	H001-7025681	120380			WASHER, lock, med, S, cd or zn-pltd, 1/4 in.	ea	5
H-1	H001-7043681	120392			WASHER, plain, SAE std, S, cd or zn-pltd, 1/4 in.	ea	5
	G503-7741429	7741429	WO-A2836		HOOD, assy (Up to Willys Serial No. 103545)-----	ea	1
	G503-7741430	7741430	WO-A3225 FM-GPW16610 WO-A4680 FM-GTB16847	18-1	HOOD, assy (After Willys Serial No. 103545)-----	ea	1
		130772			WEBBING, hood top windshield bumper-----	ea	2
					SCREW, wood, oval-hd, S, phos-ctd, No. 6 x 1 in.	ea	4



KEY ITEM	PART NO.	GROUP	KEY ITEM	PART NO.	GROUP
A—APRON	WO-A2842	1701	W—STRAP	WO-A3110	2201
B—LOOP	WO-A2234	1804	X—TRIM	WO-A2987	1806
C—CATCH	WO-A2896	1703	Y—TRIM	WO-A2985	1806
D—CATCH	WO-A3197	1703	Z—PAD	WO-A11732	1806
E—FENDER	WO-A2943	1701	AA—BRACKET	WO-A2453	1806
F—FRAME	WO-A3204	1804	BB—LID	WO-A3227	1808
G—STEP	FM-GPW1102003	1804	CC—SPRING	WO-A2830	1806
H—BRACKET	WO-A2213	1804	DD—BOW	WO-A2897	2201
J—CHAIN	WO-A2501	1804	EE—PAD	WO-A3114	1806
K—SCREW	214018	1804	FF—STRAP	WO-A2883	1806
L—PANEL	WO-A12010	1804	GG—WEATHERSTRIP	WO-A2476	1804
M—PANEL	WO-A12105	1804	HH—CLAMP	WO-A2227	1804
N—CUSHION	WO-A11730	1806	JJ—GLASS	WO-A2478	1804
P—PANEL	WO-A2757	1804	KK—BUMPER	WO-A3780	1703
Q—HANDLE	WO-A2390	1804	LL—LIGHT, ASSY	CB-215142	0609.1
R—BRACKET	WO-A2745	2201	MM—LIGHT, ASSY	CB-415342	0609.1
S—REFLECTOR	506101	2202	NN—HOOD, ASSY	WO-A3225	1703
T—BRACKET	WO-A2754	2201	PP—GUARD	WO-A3615	2101
U—HANDLE	WO-A2389	1804	QQ—LIGHT, ASSY	CB-215242	0609.1
V—SCREW	WO-A2214	2201	RR—LIGHT, ASSY	CB-415442	0609.1

RA PD 355085

Figure 18-1. Body—assembly.



KEY ITEM

A-WHEEL
 B-BUTTON
 C-WIPER, ASSY
 D-ARM, ASSY
 E-AMMETER
 F-HANDLE, ASSY
 G-CLAMP, ASSY
 H-PLATE
 J-PLATE
 K-PLATE
 L-LEVER
 M-LEVER
 N-LEVER
 P-SWITCH
 Q-GAGE
 K-REST
 S-SPEEDOMETER
 T-PEDAL
 U-GAGE
 V-GAGE
 W-PEDAL, ASSY
 X-SWITCH
 Y-PEDAL
 Z-TANK
 AA-EXTINGUISHER
 AB-STRAP, ASSY
 AC-SWITCH
 AD-SWITCH
 AE-MIRROR, ASSY
 AF-CONTROL
 AG-SWITCH
 AH-HOLDER, ASSY

PART NO.

WO-A535
 RG-450054
 WO-A11433
 WO-A2235
 AL-10311A
 WO-639244
 WO-A2227
 WO-A1330
 WO-A17344
 WO-A1331
 WG-AC84J2A
 SP-25Q1056
 SP-25Q1055
 AL-5934A3
 AL-10312
 WO-A1225
 C138301
 WO-A6851
 AL-1017A
 AL-10313A
 WO-A8253
 506602
 WO-A405
 WO-A6618
 NOT LISTED
 WO-A2883
 CL-9654
 DM-6244
 WO-A2934
 WO-A7517
 DM-6282
 BUE-505275

GROUP

1401.1
 0611
 2202.1
 1804
 0607
 1201.1
 1804
 2210
 2210
 2210
 0704
 0804
 0804
 0603
 0607
 0312
 2208.1
 0312
 0607
 0607
 1704.1
 0608
 0202
 0306
 1806
 0608
 0608
 2202
 0312
 0605
 1808

RA PD 342288G

Figure 18-2. Front compartment and instrument panel.

(1) NOTE SYMBOL	(2) STOCK NO.	(3) ORDNANCE PART NO.	(4) MFR'S PART NO.	(5) FIGURE NO.	(6) NOMENCLATURE	(7) UNIT OF MEAS- URE	(8) QUAN- TITY PER UNIT ASSEM- BLY
					GROUP 18—BODY 1800—BODY ASSEMBLY		
	G503-7701328	7701328	WO-A12237 FM-GPW1000000	-----	BODY, assy (Includes BOWS, BRACES, BRACKETS, CLAMPS, COMPARTMENTS, HANDLES, tail LIGHTS, MIRROR, SEALS, SEATS, FLOORS and PANELS).	ea	1
			WO-A12233 FM-GPW1100001	-----	BODY, assy (Includes FLOORS and PANELS only).	ea	1
			WO-A4415	-----	LINER, body sill, thick	ea	2
			WO-A4414	-----	LINER, body sill, thin	ea	2
					1804—BODY PANELS, HANDLES, AND WINDSHIELD		
G-9	3320-GP1103302	-----	WO-A2235 FM-GP1103302	18-2	ARM, adjusting, windshield, assy	ea	2
	G503-7698488	7698488	WO-A2138 FM-GPW1102396	-----	BOLT, eye, S, 3/8-16NC-2 (safety strap)	ea	2
H-1	H001-4167580	102635	-----	-----	NUT, hex, light, s-fin, S, 3/8-16NC-2	ea	2
H-1	H001-7025741	120382	-----	-----	WASHER, lock, med, S, cd or zn-pltd, 3/8 in.	ea	2
			WO-A3155 FM-GPW1104364	-----	BRACE, instrument panel circuit breaker, w/ BRACKET, assy.	ea	1
			WO-5242 FM-60332S2	-----	RIVET, rd-hd, S, 1/4 x 3/8	ea	2
	G503-7698470	7698470	WO-A2853 FM-GPW1140449	-----	BRACKET, engine crank retaining clamp, assy	ea	2
	G503-7698430	7698430	WO-A2213 FM-GPW1103162	18-1	BRACKET, pivot, windshield, assy	ea	2
H-1	H001-4026521	220070	-----	-----	NUT, hex, reg, s-fin, S, cd or zn-pltd, 5/16-18NC-2.	ea	4
H-1	H001-5026111	214018	-----	18-1	SCREW, cap, hex-hd, S, cd or zn-pltd, 5/16-18NC-2 x 3/8.	ea	4
H-1	H001-7025711	120214	-----	-----	WASHER, lock, med, S, cd or zn-pltd, 5/16 in.	ea	4
			WO-A2941 FM-GPW1140441	-----	BRACKET, retaining, engine crank	ea	1
G-9	3320-GP1103310	-----	WO-A4300 FM-GP1103310	-----	BRACKET, windshield adjusting arm, w/BUSHING, assy.	ea	2

			WO-A2798 FM-GPW1103050		BRACKET, windshield mounting clamp catch	ea	2
H-1	H001-5090651	120697			SCREW, mach, fl-hd, S, cd or zn-pltd, 1/4-20NC-2 x 3/4.	ea	4
H-1	H001-7025681	120380			WASHER, lock, med, S, cd or zn-pltd, 1/4 in.	ea	4
G-9	3320-GP1103304		WO-2232		BRACKET, windshield swing arm, w/STUD, assy (5/16-18NC-2).	ea	2
	G503-7698431	7698431	FM-GP1103304 WO-A2791 FM-GPW1103488		CATCH, windshield clamp (on instrument panel)	ea	2
	G503-7698432	7698432	WO-A2501 FM-GPW1151289	18-1	CHAIN, windshield thumb screw	ea	4
	G503-7743844	7743844	WO-A2227 FM-GP1103482A	18-1, 2	CLAMP, windshield, assy	ea	2
			WO-A4592 FM-GPW1111162 CNC-519 WO-A4120 FM-352692S15 WO-A2776		COVER, trailer electric plug housing	ea	1
					FASTENER, windshield curtain (top to wind- shield).	ea	10
	G503-7698485	7698485	WO-A3204 FM-GPW1103268 WO-A12760	18-1	FRAME, tubular, windshield (prior to Willys Serial No. 103545).	ea	1
					FRAME, tubular, windshield	ea	1
			WO-A12761		FRAME, tubular, windshield, assy (for windshield w/vacuum wiper).	ea	1
			WO-A2246 FM-GPW1103030 WO-2255 FM-GP1103020		FRAME, windshield glass, assy (for windshield w/vacuum wiper).	ea	1
					FRAME, windshield glass, lower, assy	ea	1
					FRAME, windshield glass, upper, assy	ea	1
G-9	3320-GPW1103014		WO-A2226 FM-GPW1103014		FRAME, windshield glass, w/GLASS, assy	ea	1
	G503-7099459	7099459	WO-A12759 FM-GP1103014B		FRAME, windshield glass, w/GLASS, assy (Use w/vacuum type wiper).	ea	1
H-1	H101-0131530	131530			NUT, blind, low crown, br, No. 10-32NF-2	ea	3
G-9	G503-7324773	7324773	AN-X598 WO-A2482 FM-38192S2		SCREW, mach. rd-hd, S, No. 8-32NC-2 x 7/16	ea	4
	G503-7324775	7324775	AN-X1750 WO-A2480 FM-38259S2		SCREW, mach, rd-hd, S, No. 10-32NF-2 x 7/8	ea	3
H-1	H001-7025591	121841			WASHER, lock, med, S, cd, or/z-pltd No. 8	ea	4
G-9	G503-7743664	7743664	WO-A2478 FM-GP1103100	18-1	GLASS, windshield	ea	2
	G503-7698464	7698464	WO-A2390 FM-GPW1129670	18-1	HANDLE, body, outside, front	ea	2

(1) NOTE SYMBOL	(2) STOCK NO.	(3) ORDNANCE PART NO.	(4) MFR'S PART NO.	(5) FIGURE NO.	(6) NOMENCLATURE	(7) UNIT OF MEAS- URE	(8) QUAN TITY PER UNIT ASSEM- BLY
					GROUP 18—BODY—Continued		
					1804—BODY PANELS, HANDLES, AND WINDSHIELD—Con.		
	G503-7698471	7698471	WO-A2389 FM-GPW1129672	15-3	HANDLE, body, outside, rear corner.....	ea	2
H-1	H001-4026521	220070	-----	-----	NUT, hex, reg, s-fin, S, cd or zn-pltd, $\frac{5}{16}$ - 18NC-2.	ea	16
H-1	H101-0214626	214626	-----	-----	SCREW, cap, hex-hd, S, cd or zn-pltd, $\frac{5}{16}$ - 18NC-2 x $\frac{3}{8}$.	ea	16
H-1	H001-7025711	120214	-----	-----	WASHER, lock, med, S, cd or zn-pltd, $\frac{5}{16}$ in.	ea	16
			WO-A4303 FM-GP1103350	-----	HANDLE, windshield frame.....	ea	1
G-9	G540-7091769	7091769	WO-A2238 FM-B45482C	-----	KNOB, windshield adjusting arm ($\frac{5}{16}$ -18NC-2)---	ea	2
	G503-7698440	7698440	WO-A2168 FM-GPW1154810A	-----	LOOP, footman (body side panel).....	ea	5
H-1	H001-4135661	120361	-----	-----	NUT, mach, screw, hex, S, cd or zn-pltd, No. 10-24NC-2.	ea	10
			WO-6290 FM-355162S2.	-----	SCREW, mach, fl-hd, S, No. 10-24NC-2 x $\frac{1}{2}$.	ea	10
H-1	H001-7025621	120217	-----	-----	WASHER, lock, med, S, cd or zn-pltd, No. 10.	ea	10
			WO-A2234 FM-GP1103334	18-1	LOOP, hold down, windshield.....	ea	2
H-1	H101-0142745	142745	WO-A2466 FM-33896S2	-----	NUT, wing, light, S, cd or zn-pltd, $\frac{5}{16}$ -18NC-2 (crank retaining bracket).	ea	1
			WO-A3182 FM-GPW1101670	-----	PAD, dash, panel.....	ea	1
G-9	3320-GP1103106	-----	WO-A2479 FM-GP1103106	-----	PADDING, windshield glass (Everseal, $1\frac{1}{8}$ in. x 73 in.).	ea	2
			WO-A2756 FM-GPW1127847	-----	PANEL, body, left side.....	ea	1
			WO-A2758 FM-GPW1140324	-----	PANEL, body, rear.....	ea	2
H-1	H001-1167540	102634	WO-52845 WO-6167 WO-52857 WO-53025 FM-356309S7 WO-A4116	-----	NUT, hex, jam, S, $\frac{5}{16}$ -18NC-2.....	ea	2
				-----	NUT, hex, light, s-fin, S, $\frac{5}{16}$ -18NC-2.....	ea	2
				-----	SCREW, cap, hex-hd, S, $\frac{5}{16}$ -18NC-2 x $1\frac{1}{8}$ ---	ea	2
				-----	WASHER, lock, int-ext-teeth, S, cd or zn- pltd, $\frac{5}{16}$ in.	ea	4
				-----	WASHER, plain, S, $\frac{5}{16}$ in.....	ea	4

			WO-A2757	18-1	PANEL, body, right side.....	ea	1
			FM-GPW1127846				
			WO-A12011		PANEL, cowl, left side.....	ea	1
			FM-GPW1102039				
			WO-A12010	18-1	PANEL, cowl, right side.....	ea	1
			FM-GPW1102038				
			WO-A12105	18-1	PANEL, cowl, top.....	ea	1
			FM-GPW1102015				
			WO-A12025		PANEL, dash, assy.....	ea	1
			WO-A3005		PANEL, dash, assy.....	ea	1
			FM-GPW1101610				
			WO-A3578		PANEL, instrument, assy.....	ea	1
			FW-GPW1104320				
			WO-A12023		PANEL, rear, left wheelhouse, inner.....	ea	1
			FM-GPW1127851				
			WO-A2271		PANEL, rear, left wheelhouse, top.....	ea	1
			FM-GPW1127849				
			WO-A12024		PANEL, rear, right wheelhouse, inner.....	ea	1
			FM-GPW1127850				
			WO-A2772		PANEL, rear, right wheelhouse, top.....	ea	1
			FM-GPW1127848				
			WO-A2301		PANEL, windshield, outer (prior to Willys serial No. 103544).	ea	1
					PANEL, windshield, outer (Willys serial No. 103544 and up).	ea	1
			WO-A3190		PIECE, windshield frame, upper cross, assy (for windshield w/vacuum type wiper).	ea	1
			WO-A12756		PILLAR, cowl, left.....	ea	1
			WO-A2815		PILLAR, cowl, right.....	ea	1
			FM-GPW1102511				
			WO-A2816		BOLT, hex-hd, S, $\frac{3}{8}$ -16NC-2 x 1 $\frac{1}{2}$	ea	2
			FM-GPW1102510		NUT, hex, light, s-fin, S, cd or zn-pltd, $\frac{3}{8}$ -16NC-2.	ea	2
			WO-52863		WASHER, lock, med, S, cd or zn-pltd, $\frac{3}{8}$ in.	ea	4
					WASHER, plain, SAE std, cd or zn-pltd, $\frac{3}{8}$ in.	ea	4
H-1	H001-4167581	120377			PLATE, tapping, windshield clamp catch.....	ea	1
H-1	H001-7025741	120382			PLATE, tapping, driver's seat.....	ea	1
H-1	H001-7043741	120394			PLATE, tapping, hood hinge (on cowl).....	ea	1
			WO-A2939		PLATE, tapping, shovel clamp.....	ea	2
			FM-GPW1103446A		PLATE, tapping, windshield clamp catch.....	ea	2
			WO-A2879				
			FM-GPW11111238				
			WO-A2190				
			FM-GPW1102130				
			WO-A2940				
			FM-GPW1128242				
			WO-2939				
			FM-GPW1103446A				

(1) NOTE SYMBOL	(2) STOCK NO.	(3) ORDNANCE PART NO.	(4) MFR'S PART NO.	(5) FIGURE NO.	(6) NOMENCLATURE	(7) UNIT OF MEAS- URE	(8) QUAN- TITY PER UNIT ASSEM- BLY
GROUP 18—BODY—Continued							
1804—BODY PANELS, HANDLES, AND WINDSHIELD—Con.							
	G503-7698472	7698472	WO-A2470 FM-GPW1140447	-----	RETAINER, engine crank	ea	2
			WO-A4518 <i>4514</i> FM-GPW17079	-----	RETAINER, tire pump (foot end)	ea	1
			WO-A4518 FM-GPW17055	-----	RETAINER, tire pump (handle end)	ea	1
			WO-A2386	-----	RETAINER, windshield hold down catch (prior to Willys serial No. 103545).	ea	2
			BA-B194 WO-A3203 FM-GPW1103028	-----	RETAINER, windshield hold down catch (Willys serial No. 103545 and up).	ea	2
H-1	H001-4167501	120375	-----	-----	NUT, hex, light, s-fin, S, cd or zn-plated, ¼- 20NC-2.	ea	4
H-1	N001-5417601	120854	-----	-----	SCREW, cap, hex-hd, S, cd or zn-pltd, ¼- 20NC-3 x ⅝.	ea	4
H-1	H001-7025681	120380	-----	-----	WASHER, lock, med, S, cd or zn-pltd, ¼ in.	ea	4
H-1	H001-7043681	120392	-----	-----	WASHER, plain, SAE std, S, cd or zn-pltd, ¼ in.	ea	4
	G503-7698473	7698473	WO-A3189 FM-GPW1151297	-----	RING, windshield thumbscrew chain	ea	4
			AN-X1754 WO-A2485 FM-24454S2	-----	SCREW, cap, hex-hd, S, ¼-20NC-2 x 1⅞ (wind- shield clamp bracket).	ea	4
H-1	H001-5088731	133556	-----	-----	SCREW, mach, fl-hd, S, cd or zn-pltd, No. 10- 24NC-2 x ⅜ (footman loop hole).	ea	2
			AN-X1755 WO-A2487 FM-33249	-----	SCREW, ov-ck-hd, S, No. 10 x ½, type Z (wind- shield bracket).	ea	4
G-9	3320-81W811189	-----	FM-81W811189	-----	SCREW, pivot windshield adjusting arm (rh-hd, S, ¼-28NF-2 x .47) (Superseded by SCREW WO-A2239).	ea	2
G-9	3320-G8T8103- 074B	-----	WO-A2239 FM-G8T8103074B	-----	SCREW, pivot, windshield adjusting arm (rd-hd, S, ¼-28NF-2 x .47).	ea	2
	G503-7326119	7326119	WO-A2214 FM-355449S2	-----	SCREW, thumb, ⅜-24NF (windshield pivot)	ea	2

			WO-A3173 FM-GPW8155		SEAL, radiator side air deflector, left-----	ea	1
			WO-A3575		SEAL, radiator side air deflector to radiator-----	ea	1
			WO-A3182		SEAL, radiator side air deflector to radiator, right--	ea	1
			WO-A2979 FM-GPW8222		SEAL, radiator top air deflector-----	ea	1
			WO-A3574 FM-GPW8166		SEAL, radiator top air deflector to radiator-----	ea	1
			WO-A2968 FM-GPW1128244		SHEATH, ax-----	ea	1
G-9	3320-99W81033-11		AN-S384 WO-A2483 FM-99W8103311		SPACER, windshield adjusting arm (S, $\frac{29}{64}$ ID, $\frac{21}{32}$ OD).	ea	2
	G503-7698475	7698475	FM-GPW1102003	18-1	STEP, cowl side, left, assy-----	ea	1
			FM-GPW1102002		STEP, cowl side, right, assy-----	ea	1
			WO-A2325 FM-GPW1128286		STRAINER, body side panel to wheelhouse-----	ea	1
			WO-A3120 FM-GPW1144620		SUPPORT, rear body to frame, inner-----	ea	2
			WO-A2336 FM-GPW1144605		SUPPORT, rear body to frame, outer-----	ea	2
H-1	H001-7043711	120393			WASHER, plain, SAE std, S, cd or zn-pltd, $\frac{5}{16}$ in. (windshield adjusting arm screw).	ea	6
	G503-7324847	7324847	AN-S1044 WO-A4260 FM-356361S		WASHER, windshield adjusting arm spring (S, 0.34 ID, 0.56 OD).	ea	2
	G503-7324848	7324848	WO-A2220 FM-356373S2		WASHER, windshield pivot spring (S, $\frac{21}{32}$ ID, 1 OD, 0.015 thk, $\frac{5}{32}$ crown).	ea	4
	G503-7698468	7698468	WO-A2250 FM-GPW1103110		WEATHERSTRIP, windshield-----	ea	1
	G503-7698469	7698469	WO-A2476 FM-GPW1103080A	18-1	WEATHERSTRIP, windshield frame to cowl-----	ea	1
H-1		145193			SCREW, tapping, bdg-hd, blunt-pt, sheet metal threads, S, cd or zn-pltd, No. 10 x $\frac{1}{2}$ in.	ea	15
			WO-A2796		WINDSHIELD, complete assy (Prior to Willys Serial No. 103545).	ea	1
G-9	3320-GPW1103010		WO-A3210 FM-GP1103010		WINDSHIELD, complete assy (Willys Serial No. 103545 and after) (Superseded by WIND- SHIELD WO-A12758).	ea	1
	G503-7740835	7740835	WO-A12758		WINDSHIELD, assy-----	ea	1

(1) NOTE SYMBOL	(2) STOCK NO.	(3) ORDNANCE PART NO.	(4) MFR'S PART NO.	(5) FIGURE NO.	(6) NOMENCLATURE	(7) UNIT OF MEAS- URE	(8) QUAN- TITY PER UNIT ASSEM- BLY
					GROUP 18—BODY—Continued		
					1805—BODY FLOORS, SEALS, AND COMPONENTS—Continued		
	G503-7698465	7698465	WO-A2982 FM-GPW1112110	-----	COVER, floor, transmission-----	ea	1
H-1	H001-5025501	214001		-----	SCREW, cap, hex-hd, S, cd or zn-pltd, ¼- 20NC-2 x ½.	ea	7
H-1	H001-7025681	120380		-----	WASHER, lock, med, S, cd or zn-pltd, ¼ in.	ea	7
			WO-A2990 FM-GPW1112115	-----	COVER, inspection, floor, brake cylinder-----	ea	1
H-1	H001-5025501	214001		-----	SCREW, cap, hex-hd, S, cd or zn-pltd, ¼- 20NC-2 x ½.	ea	5
H-1	H001-7025681	120380		-----	WASHER, lock, med, S, cd or zn-pltd, ¼ in.	ea	5
			WO-42759 FM-GPW1111331	-----	COVER, rear floor pan, left shock absorber, assy.	ea	1
			WO-A2760 FM-GPW1111330	-----	COVER, rear floor pan, right shock absorber, assy.	ea	1
			WO-A2950 FM-GPW111089S	-----	FILLER, wood, rear floor pan cross sill-----	ea	1
G-9	3320-GPW1101735A	-----	WO-A3784 FM-GPW1101735A	-----	GROMMET, floor, transfer gear shift lever (ru)	ea	1
			WO-A2311 WO-A2312	-----	GUSSET, front floor toe board to frame, left, assy.	ea	1
				-----	GUSSET, front floor toe board to frame, right, assy.	ea	1
H-1	H101-0214739	214739		-----	SCREW, cap, hex-hd, S, cd or zn-pltd, ¾- 24NF-2 x ¾.	ea	2
H-1	H001-7045595	158666	WO-53135	-----	WASHER, lock, ext-teeth, S, ¾ in.	ea	2
H-1	H001-7045595	118666		-----	WASHER, plain, US std, S, phos-ctd, ¾ in.	ea	2
			WO-50921 WO-A2278	-----	WASHER, plain, US std, S, phos-ctd, ¾ in.	ea	2
			WO-A2375 FM-350976S2	-----	NUT, clinch, S, ¼-20NC-2 (transmission cover)	ea	7
			WO-2263 FM-351015S	-----	NUT, clinch, S, ⅙-24NF-2 (transmission cover and accelerator pedal).	ea	2
			WO-A2933 FM-355909S2	-----	NUT, clinch, S, ⅙-16NC-2 (front floor rear cross sill).	ea	1
			WO-A12003 FM-GPW1111140	-----	NUT, clinch, special S, ¼ in. pipe top std (floor drain plug).	ea	2
H-1	H001-4167580	102635		-----	PAN, front floor-----	ea	1
				-----	NUT, hex, light, s-fin, S, ⅙-16NC-2-----	ea	4

			WO-52893 FM-356016S		NUT, hex, stamped, S, 3/8-16NC-2	ea	4
H-1	H101-0214104	214104			SCREW, cap, hex-hd, S, cd or zn-pltd, 3/8-24NF-2 x 2.	ea	2
H-1	H001-5027161	214101			SCREW, cap, hex-hd, S, cd or zn-pltd, 3/8-24NF-2 x 1 3/4.	ea	2
H-1	H001-7021801	138542			WASHER, lock, int-teeth, reg, S, cd or zn-pltd, 3/8 in.	ea	4
			WO-53026 FM-356200S7		WASHER, lock, int-ext-teeth, S, 3/8 in.	ea	4
H-1	H001-7045595	118666			WASHER, plain, US std, S, phos-ctd, 3/8 in.	ea	8
			WO-A12017 FM-GPW1111218		PAN, rear floor	ea	1
H-1	H001-4167580	102635			NUT, hex, light, s-fin, S, 3/8-16NC-2	ea	3
			WO-52893 FM-356016S		NUT, hex, stamped, S, 3/8-16NC-2	ea	1
H-1	H001-5026741	214387			SCREW, cap, hex-hd, S, cd or zn-pltd, 3/8-16NC-2 x 1.	ea	1
H-1	H001-5027161	214101			SCREW, cap, hex-hd, S, cd or zn-pltd, 3/8-24NF-2 x 1 3/4.	ea	1
			WO-53026 FM-356200S7		WASHER, lock, int-ext-teeth, S, 3/8 in.	ea	3
H-1	H001-7021801	138542			WASHER, lock, int-teeth, reg, S, cd or zn-pltd, 3/8 in.	ea	2
H-1	H001-7045595	118666			WASHER, plain, US std, phos-ctd, 3/8 in.	ea	1
			WO-A12055 WO-5120 FM-358019S WO-A3144 FM-GPW1162606		PLATE, floor seal, dimmer switch	ea	1
					PLUG, pipe, slotted, 1/4 in. (floor drain hole)	ea	2
					REST, foot, rear floor, assy	ea	2
H-1	H001-4026521	220070			NUT, hex, reg, s-fin, S, cd or zn-pltd, 5/16-18NC-2	ea	4
H-1	H001-5026111	214018			SCREW, cap, hex-hd, S, cd or zn-pltd, 5/16-18NC-2 x 3/4.	ea	3
H-1	H101-0214644	214644			SCREW, cap, hex-hd, S, cd or zn-pltd, 5/16-18NC-2 x 3/4.	ea	4
H-1	H001-7025711	120214			WASHER, lock, med, S, cd or zn-pltd, 5/16 in.	ea	4
H-1	H001-7043715	118774			WASHER, plain, SAE std, S, phos-ctd, 5/16 in.	ea	1
G-9	G503-7698466	7698466	WO-A2919 FM-GPW1112119		RING, floor, gear shift lever housing cover	ea	1
H-1	H001-5025521	214002			SCREW, cap, hex-hd, S, cd or zn-pltd, 1/4-20NC-2 x 3/4.	ea	1
H-1	H001-6217371	144811			SCREW, tapping, bdg-hd, gimlet-pt, sheet metal thread, S, cd or zn-pltd, No. 10 x 1/2 in.	ea	3
			WO-A2917 FM-GPW1112158		RING, floor seal, steering column	ea	1
H-1	H001-6211371	144811			SCREW, tapping, bdg-hd, gimlet-pt, sheet metal thread, S, cd or zn-pltd, No. 10 x 1/2 in.	ea	4

(1) NOTE SYMBOL	(2) STOCK NO.	(3) ORDNANCE PART NO.	(4) MFR'S PART NO.	(5) FIGURE NO.	(6) NOMENCLATURE	(7) UNIT OF MEAS- URE	(8) QUAN- TITY PER UNIT ASSEM- BLY
GROUP 18—BODY—Continued							
1805—BODY FLOORS, SEALS, AND COMPONENTS—Continued							
H-1	H001-5025521	214002	WO-A2918 FM-GPW1112117	-----	RING, floor, transmission shift lever grommet.....	ea	1
H-1	-----	144811	-----	-----	SCREW, cap, hex-hd, S, cd or zn-pltd, ¼- 20NC-2 x ¾.	ea	2
H-1	H001-5026751	214389	WO-A3222 FM-GPW1111155 WO-52893 FM-356016S	-----	SCREW, tapping, bdg-hd, gimlet-pt, sheet metal thread, S, cd or zn-pltd, No. 10 x ½ in.	ea	3
H-1	H001-4167581	120377	-----	-----	RISER, front to rear floor pan, assy.....	ea	1
H-1	H001-7021801	138542	-----	-----	NUT, hex, jam, S, ¾-16NC-2.....	ea	2
H-1	H001-7045595 G503-7361994	118666 7361994	WO-53026 FM-356200S7	-----	SCREW, cap, hex-hd, S, cd or zn-pltd, ¾- 16NC-2 x 1¼.	ea	2
G-9	3320-GPW111128- 6A	-----	WO-A3782 FM-GPW1111520A	-----	NUT, hex, light, s-fin, S, cd or zn-pltd, ¾- 16NC-2.	ea	2
	G503-7698486	7698486	WO-A2932 FM-GPW1111137A	-----	WASHER, lock, int-teeth, reg, S, cd or zn- pltd. ¾ in.	ea	4
	G503-7698467	7698467	WO-A12054 WO-A3116 FM-GPW1111299A	-----	WASHER, lock, int-ext-teeth, S, ¾ in.....	ea	4
	G503-7698487	7698487	WO-A2992 FM-GPW11514A WO-A2931 FM-GPW1101698A	-----	WASHER, plain, US std, S, phos-ctd, ¾ in..	ea	4
			WO-A2994 FM-GPW1112116A	-----	SEAL, floor, accelerator pedal rod.....	ea	1
			WO-A3207 FM-GPW9082A	-----	SEAL, floor, brake cylinder inspection cover.....	ea	1
				-----	SEAL, floor, dimmer switch plate.....	ea	1
				-----	SEAL, floor, fuel line hole.....	ea	1
				-----	SEAL, floor, gear shift lever housing cover (ru)..	ea	1
				-----	SEAL, floor, starter switch.....	ea	1
				-----	SEAL, floor, steering column.....	ea	1
				-----	SEAL, floor, transmission cover.....	ea	1
				-----	SEAL, fuel tank stone guard, front.....	ea	1

			WO-A3208 FM-GPW9085A		SEAL, fuel tank stone guard, left.....	ea	1
			WO-A3209 FM-GPW9083A		SEAL, fuel tank stone guard, rear.....	ea	1
			WO-A3206 FM-GPW9084		SEAL, fuel tank stone guard, right.....	ea	1
			WO-A2837 FM-GPW1110611		SILL, cross, front floor pan, left, assy.....	ea	1
			WO-A2838 FM-GPW1110625		SILL, cross, front floor pan, rear.....	ea	1
			WO-A2838 FM-GPW1110610		SILL, cross, front floor pan, right, assy.....	ea	1
			WO-A2948 FM-GPW1110750		SILL, cross, rear floor pan.....	ea	1
					1806—SEATS, CRASH PADS, TRIM, AND UPHOLSTERY		
G-9	G503-7741329	7741329	WO-A11729		BACK, front seat, assy.....	ea	2
	G503-7741330	7741330	WO-A11931		BACK, rear seat, assy.....	ea	1
	G503-7767292	7767292	WO-A2983 FM-355569S2		BOLT, anchor, 3/8-16NC-2, safety Strap.....	ea	2
H-1	H001-4167581	120377			NUT, hex, light, s-fin, S, cd or zn-pltd, 3/8-16NC-2.	ea	2
H-1	H001-7025741	120382			WASHER, lock, med, S, cd or zn-pltd, 3/8 in.	ea	2
	G503-7698442	7698442	WO-A2515 FM-GPW1160314		BRACKET, front seat rear stop.....	ea	2
			WO-A2453 FM-GPW1162552	18-1	BRACKET, pivot, front seat.....	ea	2
			WO-51561 FM-60375S		RIVET, rd-hd, S, 3/8 x 3/16.....	ea	2
	G503-7698443	7698442	WO-A2833 FM-GPW1162414		BRACKET, pivot, rear seat frame.....	ea	2
			WO-A2787 FM-GPW1162402		BRACKET, rear seat back frame.....	ea	2
H-1	H001-4167501	120375			NUT, hex, light, s-fin, S, cd or zn-pltd, 1/4-20NC-2.	ea	4
H-1	H001-7025681	120380			WASHER, lock, med, S, cd or zn-pltd, 1/4 in.	ea	4
H-1	H001-7043681	120392			WASHER, plain, SAE std, S, cd or zn-pltd, 1/4 in.	ea	4
	G503-7744208	7744208	WO-A12400		CUSHION, driver's seat, assy.....	ea	1
			WO-A2986 FM-GPW1162900B		CUSHION, front seat, assy (Superseded by CUSHION WO-A11730).	ea	2
	G503-7698444	7698444	WO-A11730 FM-GPW1162900C	18-1	CUSHION, front seat, assy.....	ea	1
H-1	H001-4135661	120361			NUT, mach screw, hex, S, cd or zn-pltd, No. 10 24NC-2.	ea	10
H-1	H101-0123854	123854			SCREW, mach, fl-hd, S, cd or zn-pltd, No. 10.	ea	10
H-1	H001-7025621	120217			WASHER, lock, med, S, cd or zn-pltd, No. 10.	ea	10

(1) NOTE SYMBOL	(2) STOCK NO.	(3) ORDNANCE PART NO.	(4) MFR'S PART NO.	(5) FIGURE NO.	(6) NOMENCLATURE	(7) UNIT OF MEAS- URE	(8) QUAN- TITY PER UNIT ASSEM- BLY
GROUP 18—BODY—Continued							
1806—SEATS, CRASH PADS, TRIM, AND UPHOLSTERY--Con.							
	G503-7744207	7744207	WO-A2886 FM-GPW1160327B	-----	FRAME, driver's seat, assy-----	ea	1
H-1	H001-4026521	220070	-----	-----	NUT, hex, reg, s-fin, S, cd or zn-pltd, $\frac{5}{16}$ - 18NC-2.	ea	3
H-1	H101-0215435	215435	-----	-----	SCREW, cap, hex-hd, S, cd or zn-pltd, $\frac{5}{16}$ - 24NF-2 x $1\frac{1}{8}$.	ea	1
H-1	H101-0214644	214644	-----	-----	SCREW, cap, hex-hd, S, cd or zn-pltd, $\frac{5}{16}$ - 18NC-2 x $\frac{3}{4}$.	ea	2
H-1	H001-7025711	120214	-----	-----	WASHER, lock, med, S, cd or zn-pltd, $\frac{5}{16}$ in.	ea	1
H-1	H001-7045561	120387	-----	-----	WASHER, plain, US std, S, cd or zn-pltd, $\frac{5}{16}$ in.	ea	1
G-9	-----	-----	WO-71633 FM-351370S2	-----	WASHER, special S, $\frac{5}{16}$ in.-----	ea	2
	G503-7744210	7744210	WO-A2925 FM-GPW1160326	-----	FRAME, passenger seat, assy-----	ea	1
H-1	H001-4026521	220070	-----	-----	NUT, hex, reg, s-fin, S, cd or zn-pltd, $\frac{5}{16}$ -18NC-2.	ea	2
H-1	H101-0214644	214644	-----	-----	SCREW, cap, hex-hd, S, cd or zn-pltd, $\frac{5}{16}$ - 18NC-2 x $\frac{3}{4}$.	ea	2
H-1	H001-7025711	120214	-----	-----	WASHER, lock, med, S, cd or zn-pltd, $\frac{5}{16}$ in.	ea	2
	G503-7698460	7698460	WO-71633 FM-351370S2	-----	WASHER, special, S, $\frac{5}{16}$ in.-----	ea	2
	G503-7698461	7698461	WO-A2782 FM-GPW1161326	-----	FRAME, rear seat, assy-----	ea	1
			WO-A2783 FM-GPW1161300	-----	FRAME, rear seat back, assy-----	ea	1
			WO-A2607 WO-A2788	-----	NUT, tee, S, $\frac{5}{16}$ -24NF-2-----	ea	1
			FM-GPW1160780	-----	FRAME, rear seat cushion, assy-----	ea	1
	G503-7698457	7698457	WO-A3114 FM-GPW1166401	18-1	PAD, crash, front seat body side, left, assy-----	ea	1
	G502-7740511	7740511	WO-3115 FM-GPW1166400	-----	PAD, crash, front seat body side, right, assy-----	ea	1
	G503-7698456	7698456	WO-A11732 FM-GPW1163120B	18-1	PAD, rear seat cushion, w/SPRING, assy-----	ea	1
			WO-52990 FM-32989S2	-----	SCREW, wood, oval-hd, S, No. 10 x $\frac{1}{2}$ -----	ea	32

			WO-52968 FM-34886S		WASHER, ck, S, No. 10	ea	32
	G503-7698463	7698463	WO-A2905 FM-GPW1164812B		PAD, rear seat back	ea	1
	G503-7698462	7698462	WO-A2908 FM-GPW1166800B		PAD, rear seat back	ea	1
			WO-A2910 FM-GPW1162181		PANEL, front seat body side crash pad, left, assy.	ea	1
			WO-A2911 FM-GPW1162180		PANEL, front seat body side crash pad, right, assy.	ea	1
			WO-654934 FM-355900S2		NUT, tee, S, ¼-20NF-2	ea	8
H-1	H001-5150151	133043			SCREW, mach, rd-hd, S, cd or zn-pltd, ¼-20NC-2 x ¾.	ea	8
H-1	H001-7025681	120380			WASHER, lock, med, S, cd or zn-pltd, ¼ in.	ea	8
			WO-A2945 FM-GPW1162410		RETAINER, rear seat pivot tube	ea	2
H-1	H101-0214576	214576			SCREW, cap, hex-hd, S, ¼-20NC-2 x ½	ea	2
H-1	H001-4167581	120377			NUT, hex, light, s-fin, S, cd or zn-pltd, ¾-16NC-2.	ea	2
H-1	H001-7025681	120380			WASHER, lock, med, S, cd or zn-pltd, ¼ in.	ea	2
			WO-A3106 FM-GPW1160012B		SEAT, trimmed, front, assy (driver's)	ea	1
	G503-7743570	7743570	WO-A3107 FM-GPW1160016B		SEAT, trimmed, front, assy (passenger's)	ea	1
	G503-7743571	7743571	WO-A3108 FM-GPW1160026		SEAT, trimmed, rear, assy	ea	1
			WO-A3980		SPRING, front seat back, assy.	ea	2
			WO-A3984		SPRING, front seat body side crash pad, left, assy.	ea	1
			WO-A3985		SPRING, front seat body side crash pad, right, assy.	ea	1
			WO-A3981 FM-GPW1163206		SPRING, front seat cushion, assy.	ea	2
			WO-A3982		SPRING, rear seat back, assy.	ea	1
			WO-A3983 FM-GPW1163846B		SPRING, rear seat cushion, assy.	ea	1
			WO-A2830 FM-GPW1161302	18-1	SPRING, retaining, rear seat frame	ea	2
H-1	H101-0214576	214576			SCREW, cap, hex-hd, S, ¼-20NC-2 x ½	ea	4
H-1	H001-4167501	120375			NUT, hex, light, s-fin, S, cd or zn-pltd, ¼-20NC-2.	ea	4
H-1	H001-7025681	120380			WASHER, lock, med, S, cd or zn-pltd, ¼ in.	ea	4
H-3	H003-0545562	545562	WO-A2883 FM-GPW1131-414	18-1, 2	STRAP, web, safety, truck, 1½ x 29 in.	ea	2
			WO-A3029 FM-GPW1162400		SUPPORT, rear seat frame to wheel house	ea	2

(1) NOTE SYMBOL	(2) STOCK NO.	(3) ORDNANCE PART NO.	(4) MFR'S PART NO.	(5) FIGURE NO.	(6) NOMENCLATURE	(7) UNIT OF MEAS- URE	(8) QUAN- TITY PER UNIT ASSEM- BLY
					GROUP 18—BODY—Continued		
					1806—SEATS, CRASH PADS, TRIM, AND UPHOLSTERY—Con.		
	G503-7698445	7698445	WO-A2985 FM-GPW1164416	18-1	TRIM, front seat back, assy-----	ea	2
	G503-7698435	7698435	WO-A2987 FM-GPW1166600	18-1	TRIM, rear seat back, assy-----	ea	1
	G503-7698434	7698434	WO-A2988 FM-GPW1163804C		TRIM, rear seat cushion, complete assy-----	ea	1
					1808—STOWAGE RACKS, BOXES, AND STRAPS		
	G503-7698441	7698441	WO-A3536 FM-GPW1106085		BOLT, glove compartment lock (Willys serial No. 20700 to serial No. 37914).	ea	1
			WO-A2361 FM-GPW1104366		BRACE, instrument panel to dash-----	ea	1
			WO-A4123 FM-GPW1140330		BRACKET, spare gasoline can, assy-----	ea	1
H-1	H001-4167581	120377			NUT, hex, light, s-fin, S, cd or zn-pltd, 3/8-16NC-2.	ea	4
H-1	H001-5026721	214386			SCREW, cap, hex-hd, S, cd or zn-pltd, 3/8-16NC-2 x 3/4.	ea	4
H-1	H001-7025741	120382			WASHER, lock, med, S, cd or zn-pltd, 3/8 in.	ea	4
			WO-A11581		BRACKET, support, rifle holder to windshield, left, assy.	ea	1
			WO-A11584		BRACKET, support, rifle holder to windshield, right, assy.	ea	1
			BUE-505285 WO-A11945 FM-GPW1153124		BUMPER, rifle holder retainer clamp, assy-----	ea	1
			FM-GPW1153106		CAM, rifle holder retainer handle-----	ea	1
			FM-62323S2		RIVET, ov-hd, tubular, 3/4 x 1 1/2-----	ea	1
			WO-A3531 FM-GPW1106084A		CASE, glove compartment lock, assy (serial No. 20700 to serial No. 37914).	ea	1

G-9	G158-6578296 G503-7698436	D78296 7698436	WO-A12721 WO-A2995 FM-GPW1128256		CASE, rifle, w/HOLDER, assy-----	ea	1
	G503-7698437	7698437	WO-A2984 FM-GPW1128254 WO-A3652 FM-GPW1106087A		CLAMP, axe, front, assy-----	ea	1
H-1	H101-0131885	131885			CLAMP, axe, rear, assy-----	ea	1
H-1	H001-7025561	131044			CUP, retaining, glove compartment door lock (serial No. 20700 to serial No. 37914).	ea	1
	G503-7698433	7698433	WO-A3532		SCREW, mach, fil-hd, S, cd or zn-pltd, No. 6, 32NC-2 x 5/16.	ea	2
	G503-7698433	7698433	WO-A3835		WASHER, lock, med, S, cd or zn-pltd, No. 6	ea	2
					CYLINDER, glove compartment, lock, assy (se- rial No. 20700 to serial No. 37914).	ea	1
					DOOR, glove compartment, w/HINGE, assy (serial No. 137909 and after).	ea	1
					DOOR, glove compartment, w/HINGE, assy (serial No. 120698 to serial No. 137908).	ea	1
					FRAME, tool compartment, left-----	ea	1
					FRAME, tool compartment, right-----	ea	1
					HANDLE, rifle holder retainer, w/CAM, assy-----	ea	1
					HINGE, glove compartment door, assy (Willys serial No. 120698 and up).	ea	1
H-1	H001-4135661	120361	WO-A3434 FM-GPW1106024-B WO-A2774 WO-A2775 BUE-505284 WO-A11942 FM-GPW1153104 WO-A3436 FM-GPW110605		NUT, mach screw, hex, S, cd or zn-pltd, No. 10-24NC-2.	ea	3
					SCREW, mach, rd-hd, S, No. 10-24NC-2 x 3/8.	ea	3
H-1	H001-7025621	120217	WO-5182 FM-GPW355158S2		WASHER, lock, med, S, cd or zn-pltd, No. 10	ea	3
					HINGE, tool compartment lid, assy (prior to Willys serial No. 118599).	ea	4
					HINGE, tool compartment lid, assy (Willys serial No. 118599 and up).	ea	4
		500862	BUE-505275 WO-A11319 FM-GPW1153100 WO-53037 FM-33797S2	18-2	HOLDER, rifle, assy-----	ea	1
G-9					BOLT, step, S, 5/16-18NC-2 x 3/4-----	ea	2
H-1	H001-4026521	220070			NUT, hex, reg, s-fin, S, cd or zn-pltd, 5/16- 18NC-2.	ea	2
H-1	H001-7025711	120214			WASHER, lock, med, S, cd or zn-pltd, 5/16 in.	ea	2
H-1	H001-7045561	120387			WASHER, plain, US std, cd or zn-pltd, 5/16 in.	ea	2

(1) NOTE SYMBOL	(2) STOCK NO.	(3) ORDNANCE PART NO.	(4) MFR'S PART NO.	(5) FIGURE NO.	(6) NOMENCLATURE	(7) UNIT OF MEAS- URE	(8) QUAN- TITY PER UNIT ASSEM- BLY
					GROUP 18—BODY—Continued		
					1808—STOWAGE RACKS, BOXES, AND STRAPS—Continued		
	G503-7361993	7361993	WO-A3198 FM-GPW1146152	-----	HOUSING, tool compartment lock-----	ea	2
	G503-7341811	7341811	WO-A3823 FM-GPW1106084B	-----	LATCH, glove compartment door, assy (Willys serial No. 37914 and up).	ea	1
			WO-A3537 FM-356123S7	-----	NUT, hex, thin, S, cd-pltd, 3/4-28NF-----	ea	1
			WO-A2810	-----	LID, tool compartment, w/HINGE, assy (through Willys serial No. 118599).	ea	2
	G503-7698458	7698458	WO-A3227 FM-GPW1146100	18-1	LID, tool compartment, w/HINGE, assy (Willys serial No. 118599 and up).	ea	2
H-1	H001-4135661	120361	-----	-----	NUT, mach screw, hex, S, cd or zn-pltd, No. 10-24NC-2.	ea	6
			WO-5182 FM-355158S7	-----	SCREW, mach, rd-hd, S, cd-pltd, No. 10- 24NC-2 x 3/8.	ea	6
H-1	H001-7025621	120217	-----	-----	WASHER, lock, med, S, cd or zn-pltd, No. 10.	ea	6
			TA-OP528 WO-A2895 FM-GPW1143507	-----	LOCK, tool compartment lid-----	ea	2
H-1	H001-4135661	120361	-----	-----	NUT, mach screw, hex, S, cd or zn-pltd, No. 10-24NC-2.	ea	4
			WO-52236	-----	SCREW, mach, rd-hd, S, No. 10-24NC-2 x 3/8.	ea	4
H-1	H001-7025621	120217	-----	-----	WASHER, lock, med, S, cd or zn-pltd, No. 10.	ea	4
H-1	H101-0142745	142745	WO-A2466 FM-33896S2	-----	NUT, wing, light, S, cd or zn-pltd, 1/8-18NC-2 x 1 (on rear seat for tire pump).	ea	2
			BUE-505288 WO-A11944 FM-GPW1153110	-----	PLATE, rifle holder retainer clamp handle-----	ea	1

H-1	H001-5149121	132969			SCREW, mach, rd-hd, S, cd or zn-pltd, No. 12-24NC-2 x 3/8.	ea	4
H-1	H001-7025651	121744			WASHER, lock, med, S, cd or zn-pltd, No. 12.	ea	4
			WO-A3538		PLATE, tapping, glove compartment hinge (Wilys serial No. 137909 and up).	ea	1
			WO-A3943		SEAL, glove compartment door	ea	1
			FM-GPW1102330A				
	G503-7698459	7698459	WO-A2503		SEAL, tool compartment lid	ea	1
			FM-GPW1146102A				
	G503-7743813	7743813	WO-A3934		SEAL, tool compartment lid, long	ea	2
	G503-7744399	7744399	WO-A3933		SEAL, tool compartment lid, short	ea	2
			BUE-505282		SPRING, retaining, rifle holder, assy	ea	1
			WO-A11946				
			FM-GPW1153123				
			BUE-505287		SPRING, rifle holder retainer handle cam	ea	1
			WO-A11940				
			FM-GPW1153107				
	G503-7698474	7698474	WO-A3437		SPRING, tension, glove compartment door	ea	1
			FM-GPW1106068				
	G503-7698489	7698489	WO-A4127		STRAP, spare gasoline can, w/BUCKLE, assy	ea	1
			FM-GPW1140334				
			WO-53056		RIVET, tubular, 3/4 x 1 1/2	ea	8
			WO-53057		WASHER, plain, S, 3/2 ID, 7/16 OD	ea	8
	G503-7698490	7698490	WO-A4128		STRAP, spare gasoline can, w/TIP, assy	ea	1
			FM-GPW1140344				
			WO-A3818		STRIKER, glove compartment door lock (Wilys serial No. 137909 and up).	ea	1
			FM-GPW1106064				
			WO-5182		SCREW, mach, rd-hd, S, No. 10-24NC-2 x 3/8.	ea	1
H-1	H001-7025621	120217			WASHER, lock, med, S, cd or zn-pltd, No. 10.	ea	1
			WO-52220		WASHER, plain, S, No. 10	ea	1
			WO-A2832		STRIKER, tool compartment lid lock	ea	2
			FM-GPW1146126				
	G503-7698452	7698452	WO-A4130		SUPPORT, spare gasoline can	ea	1
			FM-GPW1140348				

(1) NOTE SYMBOL	(2) STOCK NO.	(3) ORDNANCE PART NO.	(4) MFR'S PART NO.	(5) FIGURE NO.	(6) NOMENCLATURE	(7) UNIT OF MEAS- URE	(8) QUAN- TITY PER UNIT ASSEM- BLY
GROUP 21—BUMPERS AND GUARDS							
2101—BUMPERS, FILLERS, LINERS, AND GUARDS							
G-9	G503-7698481	7698481	WO-A1117 FM-GPW17750		BAR, bumper, front.....	ea	1
H-1	H001-4167561	120368			NUT, hex, light, s-fin, S, cd or zn-pltd, $\frac{5}{16}$ - 24NF-2.	ea	4
H-1	H101-0100023	100023	WO-51823 FM-355456S		SCREW, cap, hex-hd, S, $\frac{5}{16}$ -24NF x 4 $\frac{1}{2}$	ea	4
H-1	H001-7025711	120214			WASHER, lock, med, S, cd or zn-pltd, $\frac{5}{16}$ in....	ea	4
G-9	G503-7698482	7698482	WO-A1157 FM-GPW17775	16-3	BUMPERETTE, rear.....	ea	2
H-1	H001-4167601	120369			NUT, hex, light, s-fin, S, cd or zn-pltd, $\frac{3}{8}$ - 24NF-2.	ea	8
H-1	H001-5027111	213922			SCREW, cap, hex-hd, S, cd or zn-pltd, $\frac{3}{8}$ - 24NF-2 x $\frac{3}{4}$.	ea	8
H-1	H001-7025741	120382			WASHER, lock, med, S, cd or zn-pltd, $\frac{3}{8}$ in....	ea	8
G-9	G503-7698454	7698454	WO-A1147 FM-GPW17751 WO-A2858		FILLER, front bumper bar (wood).....	ea	1
H-1	H001-4167581	120377			FRAME, radiator guard, assy (Willys only, before serial No. 125809).	ea	1
H-1	H001-5026731	213600			NUT, hex, light, s-fin, S, cd or zn-pltd, $\frac{3}{8}$ - 16NC-2.	ea	3
H-1	H001-7025741	120382			SCREW, cap, hex-hd, S, cd or zn-pltd, $\frac{3}{8}$ - 16NC-2 x $\frac{1}{8}$.	ea	3
H-1	H001-7043741	120394			WASHER, lock, med, S, cd or zn-pltd, $\frac{3}{8}$ in....	ea	3
H-1	H001-7043741	120394			WASHER, plain, SAE std, S, cd or zn-pltd, $\frac{3}{8}$ in.	ea	3
G-9	G503-7698455	7698455	WO-A4118 FM-GPW13176		GUARD, blackout driving light, w/SUPPORT, assy.	ea	1
H-1	H001-4167561	120368			NUT, hex, light, s-fin, S, cd or zn-pltd, $\frac{5}{16}$ - 24NF-2.	ea	3
H-1	H001-5026411	213904			SCREW, cap, hex-hd, S, cd or zn-pltd, $\frac{5}{16}$ - 24NF-2 x $\frac{3}{4}$.	ea	2

H-1	H101-0213910	213910	-----	-----	SCREW, cap, hex-hd, S, cd or zn-pltd, $\frac{5}{16}$ -24NF-2 x 1.	ea	1
			WO-53025	-----	WASHER, lock, int-ext-teeth, S, cd or zn-pltd, $\frac{5}{16}$ in.	ea	2
			FM-356309S7	-----	WASHER, lock, med, S, cd or zn-pltd, $\frac{5}{16}$ in.	ea	3
H-1	H001-7025711	120214	-----	-----	GUARD, radiator, assy (After Willys Serial No. 125809).	ea	1
	G503-7741431	7741431	WO-A3615	18-1	NUT, mach screw, hex, S, cd or zn-pltd, $\frac{5}{16}$ -18NC-2.	ea	6
			FM-GPW8307	-----	RETAINER, nut	ea	6
H-1	H001-4135781	134556	-----	-----	SCREW, cap, hex-hd, S, cd or zn-pltd, $\frac{5}{16}$ -18NC-2 x $\frac{5}{8}$.	ea	6
			WO-A3549	-----	WASHER, lock, med, S, cd or zn-pltd, $\frac{5}{16}$ in.	ea	6
H-1	H001-5026111	214018	-----	-----	WASHER, plain, U S std, S, cd or zn-pltd, $\frac{5}{16}$ in.	ea	6
H-1	H001-7025711	120214	-----	-----	LINER, radiator guard to hood, center	ea	1
H-1	H001-7045561	120387	-----	-----	LINER, radiator guard to hood, side	ea	2
G-9	G503-7698451	7698451	WO-A3094	-----	RIVET, split, fl-ck-hd, br, blk-enmld, $\frac{3}{4}$ x $\frac{1}{2}$ x $1\frac{1}{32}$ slot depth.	ea	11
			FM-GPW8348	-----			
	G503-7741432	7741432	WO-A3095	-----			
			FM-GPW8349	-----			
H-1	H101-0136822	136822	-----	-----			

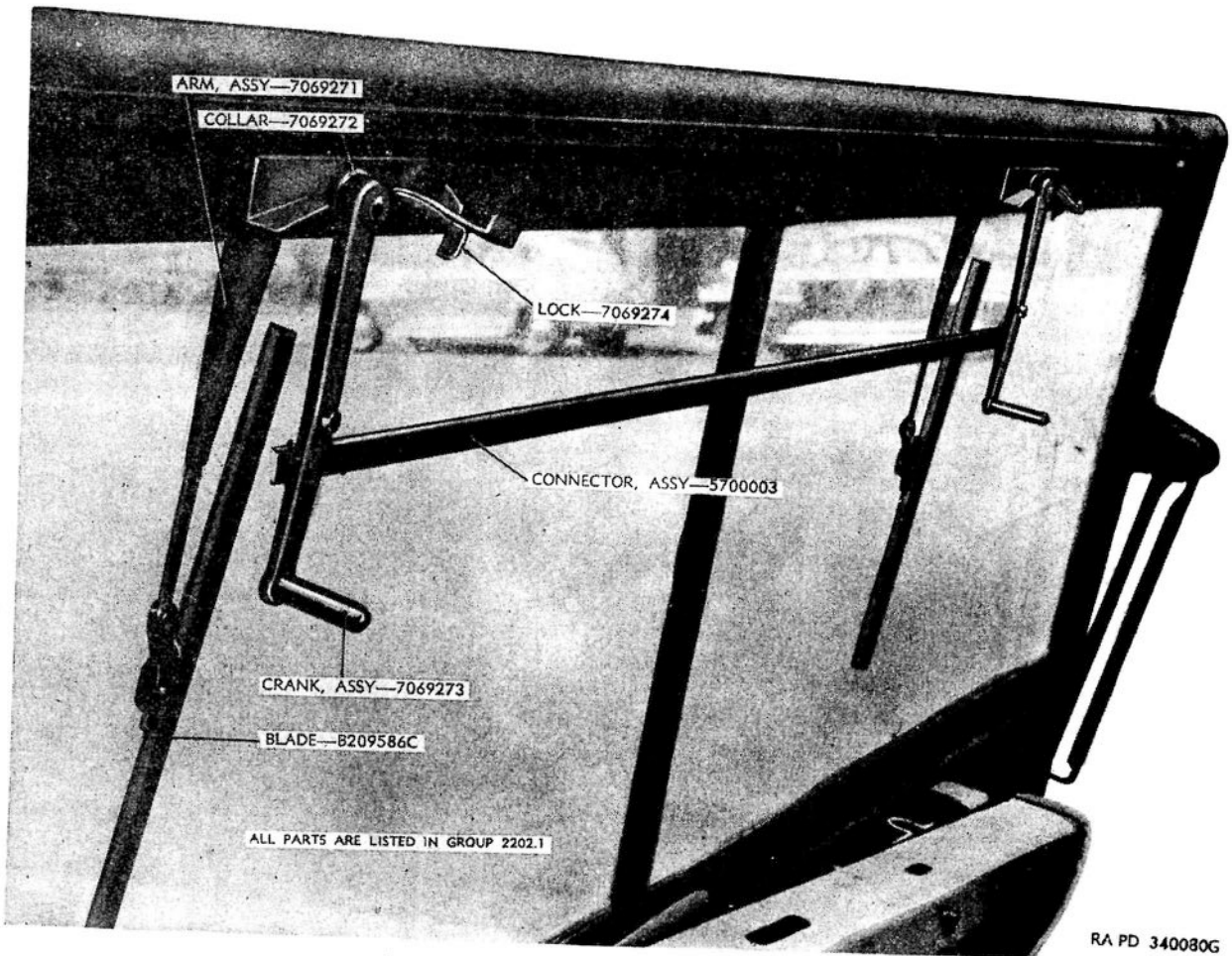
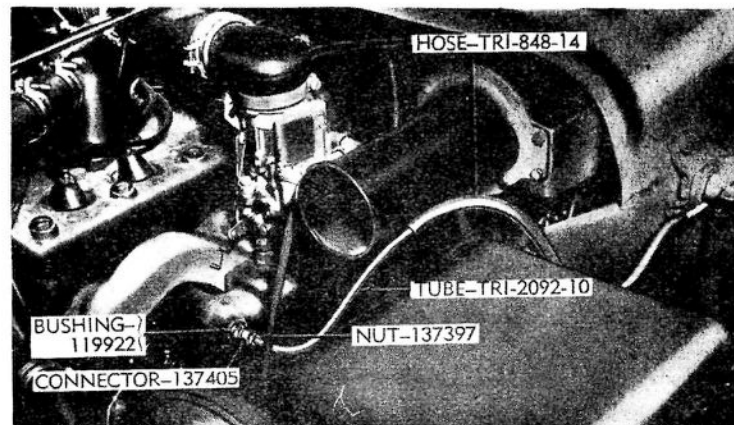
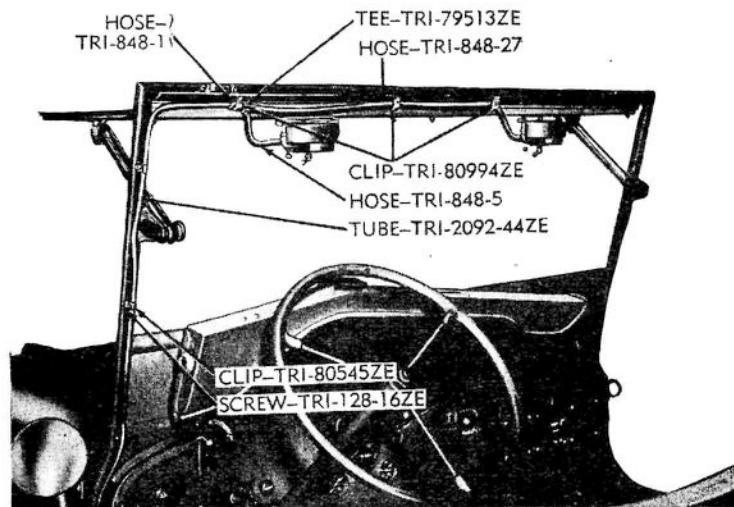
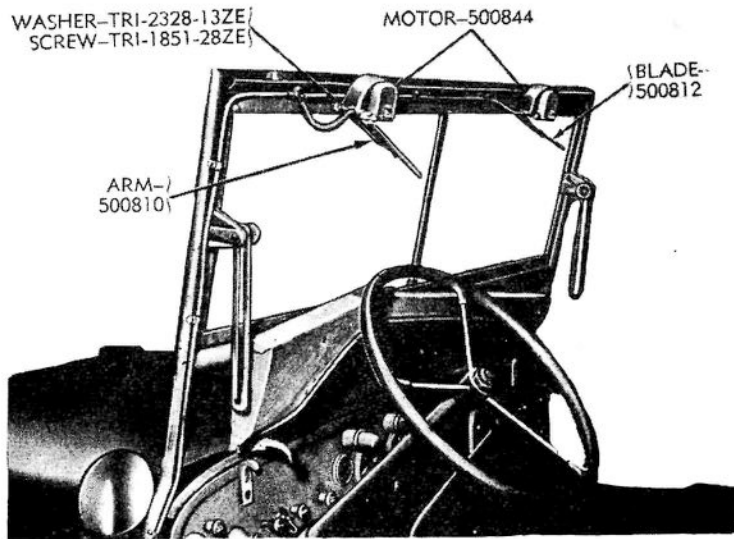


Figure 22-1. Hand windshield wiper, installed.



ALL PARTS LISTED IN GROUP 2202.2

RA PD 355069

Figure 22-2. Vacuum windshield wiper, installed

(1) NOTE SYMBOL	(2) STOCK NO.	(3) ORDNANCE PART NO.	(4) MFR'S PART NO.	(5) FIGURE NO.	(6) NOMENCLATURE	(7) UNIT OF MEAS- URE	(8) QUAN- TITY PER UNIT ASSEM- BLY
GROUP 22—MISCELLANEOUS EQUIPMENT							
2201—CANVAS ITEMS, BOWS, AND CURTAINS							
	G503-7743538	7743538	FM-GPW1151272	-----	BOW, top, front, assy (Superseded by BOW WO-A2897).	ea	1
	G503-7698483	7698483	FM-GPW1151268	-----	BOW, top, w/hand RAIL, assy (w/o footman LOOP (Superseded by BOW WO-A2897).	ea	1
	G503-7698484	7698484	WO-A2897 FM-GPW1151266 WO-5216 FM-60470S	18-1	BOW, top, w/footman LOOP, assy (Includes top front BOW, assy).	ea	1
	G503-7743508	7743508	WO-A2744 FM-GPW1129069	-----	RIVET, solid, rd-hd, $\frac{1}{16}$ x 1	ea	2
	G503-7743509	7743509	WO-A2745 FM-GPW1129068	18-1	BRACKET, left hand rail, front, assy	ea	1
H-1	H001-4026521	220070	-----	-----	BRACKET, right hand rail, front, assy	ea	1
H-1	H001-5026101	214017	-----	-----	NUT, hex, reg, s-fin, S, cd or zn-pltd, $\frac{1}{16}$ -18NC-2.	ea	2
H-1	H001-7025711	120214	-----	-----	SCREW, cap, hex-hd, S, cd or zn-pltd, $\frac{1}{16}$ -18NC-2 x $\frac{1}{2}$.	ea	2
	G503-7698447	7698447	WO-A2754 FM-GPW1153030	18-1	WASHER, lock, med, S, cd or zn-pltd, $\frac{1}{16}$ in.	ea	2
H-1	H001-4026521	220070	-----	-----	BRACKET, top bow pivot	ea	2
H-1	-----	214226	-----	-----	NUT, hex, reg, s-fin, S, cd or zn-pltd, $\frac{1}{16}$ -18NC-2.	ea	6
H-1	H001-5091231	133822	-----	-----	SCREW, cap, hex-hd, corr-res-S, $\frac{1}{2}$ -20NF-2 x 4.	ea	2
H-1	H001-7025711	120214	-----	-----	SCREW, mach, fl-hd, S, cd or zn-pltd, $\frac{1}{16}$ -18NC-2 x $\frac{1}{8}$.	ea	4
H-2	H002-0543487	543487	-----	-----	WASHER, lock, med, S, cd or zn-pltd, $\frac{1}{16}$ in.	ea	6
H-2	H002-0582935	582935	-----	-----	BUCKLE, web strap, S, phos-ctd, 1 in. (rear curtain and top cover strap).	ea	7
		42-C-6620	-----	-----	CAP, rivet type fastener (top cover to side curtain stud).	ea	16
H-2	H002-0101260	502102	-----	-----	CLIP, end, web strap, br, bz-fin, 1 in. (rear curtain and top cover strap).	ea	7
	G503-7698480	7698480	WO-A3070 FM-GPW1102980	-----	COVER, headlight	ea	2

	G503-7721446	7721446	WO-A2909 WO-A3216 FM-GPW1152700		COVER, top, assy (Superseded by COVER7335115)	ea	1
	G503-7335115	7335115			COVER, top, assy	ea	1
	G503-7698476	7698475	WO-A3211 FM-GPW1103214		COVER, windshield, assy	ea	1
	G503-7335135	7335136			CURTAIN, rear, assy (Used w/COVER, 7335115)	ea	1
	G503-7698477	7698477	WO-A2998 FM-GPW1120041		CURTAIN, side, left, assy	ea	1
	G503-7698478	7698478	WO-A2999 FM-GPW1120040		CURTAIN, side, right, assy	ea	1
			CNC-0 WO-A3113 FM-348148S		EYELET, curtain fastener	ea	16
H-2	H002-0582936	582936			EYELET, snap fastener, No. 22 size (top cover to	ea	16
		42-E-4060			side curtain stud).		
H-2	H102-0426687	426687			EYELET, large, turnbutton fastener, br, black,	ea	14
					5/16 in. long prong (flap (8); rear curtain (6)).		
H-2	H002-0211740	106475			EYELET, push button fastener, br, black, 3/16 in.	ea	10
					long barrel (top cover to windshield).		
			CNC-50 WO-A3052 FM-95626S		FASTENER, side curtain (male, flush type)	ea	14
			CNC-12 WO-A3112 FM-95633S		FASTENER, side curtain (single post, type)	ea	11
	G503-7335147	7335147			FLAP, top cover, left, assy	ea	1
	G503-7335148	7335148			FLAP, top cover, right, assy	ea	1
	G503-7698440	7698440	WO-A2168 FM-GPW1154810A	15-3	LOOP, footman	ea	10
H-1	H001-4135661	120361			NUT, mach screw, hex, S, cd or zn-pltd, No.	ea	20
					10-24NC-2.		
			WO-6290 FM-355162S2		SCREW, mach, fl-hd, S, No. 10-24NC-2 x 1/2,	ea	20
					phos-ctd.		
H-1	H001-7025621	120217			WASHER, lock, med, S, cd or zn-pltd, No. 10	ea	20
	G503-7698479	7698479	WO-A2901 FM-GPW1151270		PIVOT, top bow, assy	ea	2
H-1	H001-5420481	122104			SCREW, cap, hex-hd, S, cd or zn-pltd, 3/8-	ea	2
					16NC-3 x 3/8.		
H-1	H001-7025741	120382			WASHER, lock, med, S, cd or zn-pltd, 3/8 in.	ea	2
H-1	H001-7043741	120394			WASHER, plain, SAE std, S, cd or zn-pltd,	ea	2
					3/8 in.		
			WO-A2900 FM-GPW1153142		PIVOT, top, front bow	ea	2
			CNC-58 WO-A3111 FM-353104S		PLATE, back, clincher	ea	1

(1) NOTE SYMBOL	(2) STOCK NO.	(3) ORDNANCE PART NO.	(4) MFR'S PART NO.	(5) FIGURE NO.	(6) NOMENCLATURE	(7) UNIT OF MEAS- URE	(8) QUAN- TITY PER UNIT ASSEM- BLY
					GROUP 22—MISCELLANEOUS EQUIPMENT— Continued		
					2201—CANVAS ITEMS, BOWS, AND CURTAINS—Continued		
	G503-7335119	7335119	-----	-----	PLATE, fastener stud (Carr No. 401A) (top cover to side curtain stud).	ea	8
	G503-7743560	7743560	WO-A2214 FM-GPW1150498 CNC-515 WO-A3051 FM-95705S	18-1	SCREW, thumb, 3/8-24NF (top bow)-----	ea	2
			WO-A3109 FM-GPW1152730 WO-A3110 FM-GPW1152720 WO-A3141 FM-GPW1152950	-----	SOCKET, curtain fastener-----	ea	14
				-----	STRAP, top hold down, rear, assy-----	ea	6
				18-1	STRAP, top lock, assy-----	ea	2
				-----	STRAP, top roll, assy-----	ea	2
H-2	H102-0116266	116266	-----	-----	STUD, small turnbutton fastener, dble, br, black, two 1/4 in. diam screw hole base (top cover to side curtain).	ea	8
			WO-A2639 FM-356522S2 CNC-98 WO-A3054 FM-95627S	-----	WASHER, anti-rattle, top bow pivot-----	ea	2
				-----	WASHER, curtain eyelet fastener-----	ea	32
H-2	H102-0426686	426686	-----	-----	WASHER, large turnbutton fastener eyelet, br, black (flap (8); rear curtain (6)).	ea	14
H-2	H062-0211745	106476	-----	-----	WASHER, push button fastener eyelet, br, black (top cover to windshield).	ea	10
			CNC-60 WO-3053 FM-95628S WO-A2902 FM-351370S2	-----	WASHER, side curtain fastener-----	ea	14
				-----	WASHER, plain, special, S, phos-ctd, 3/16 x 1 x 1/16 (top bow, front pivot).	ea	2
					2202—MIRRORS AND REFLECTORS		
	H017-0547250	547250	-----	-----	ARM, adjustable, rear view mirror-----	ea	1

	H017-0547202	547202	WO-A11850 FM-21CS17718A FM-GP17723A		MIRROR, rear view, assy (includes NUT and WASHER).	ea	1
G-9	3320-21CS1768-2B		WO-A2934 FM-21CS17682B	18-2	MIRROR, rear view, w/ARM, assy	ea	1
H-1	H001-4135701	121743			NUT, mach screw, hex, S, cd or zn-pltd, No. 12-24NC-2.	ea	6
H-1	H001-5149151	132979			SCREW, mach, rd-hd, S, cd or zn-pltd, No. 12-24NC-2 x 5/8.	ea	6
H-1	H001-7025651	121744			WASHER, lock, med, S, cd or zn-pltd, No. 12-	ea	6
H-17	H017-0506101	506101	CB-3121441	15-3 18-1	REFLECTOR, ruby, 4 1/2 in. diam	ea	4
H-1	H001-4135761	142247			NUT, mach screw, hex, S, cd or zn-pltd, 1/4-28NF-2.	ea	8
H-1	H101-0187865	187865			SCREW, mach, rd-hd, S, cd or zn-pltd, 1/4-28NF-2 x 1/2.	ea	8
H-1	H001-7025681	120380			WASHER, lock, med, S, cd or zn-pltd, 1/4 in	ea	8
2202.1—HAND WINDSHIELD WIPER							
		7069271		22-1	ARM, assy (tension type wiper)	ea	2
	G503-7002982	7002982	WO-A2512 FM-GP17535		ARM, w/BLADE, assy	ea	2
H-1	H001-4135701	121743			NUT, mach screw, hex, S, cd or zn-pltd, No. 12-24NC-2.	ea	2
H-1	H001-7025651	121744			WASHER, lock, med, S, cd or zn-pltd, No. 12-	ea	2
	G503-7324836	7324836	WO-A2584 FM-351303S2		WASHER, plain, special, S, phos-ctd, 3/2 ID x 1/2 OD.	ea	2
H-17	H017-0500813	B209586C 500813		22-1	BLADE, 9 in. long (tension type wiper)	ea	2
	G503-7002981	7002981	WO-A4687 FM-GP17528		BLADE	ea	2
		7069272	WO-53243 FM-63848S	22-1	RIVET, tubular, oval-hd, S, 1/8 x 1 1/2	ea	2
		5700003		22-1	COLLAR, spacing, spring type (tension type wiper)	ea	2
					CONNECTOR, crank to crank, assy (tension type wiper).	ea	1
H-1	H001-5147511	122159			SCREW, mach, rd-hd, S, cd or zn-pltd, No. 8-32NC-2 x 1/4.	ea	2
H-1	H001-7021651	138530			WASHER, lock, int-teeth, reg, S, cd or zn-pltd, No. 8.	ea	2
		7069273		22-1	CRANK, w/SHAFT, assy (tension type wiper)	ea	2
	G503-7743536	7743536	WO-A2513 FM-GP17531		HANDLE, w/KNOB, assy (single wiper)	ea	2
	G503-7036573	7036573	TRI-80540 WO-A11432 FM-GPW17526		HANDLE, w/tie ROD, assy (for Tandem wiper)	ea	1

(1) NOTE SYMBOL	(2) STOCK NO.	(3) ORDNANCE PART NO.	(4) MFR'S PART NO.	(5) FIGURE NO.	(6) NOMENCLATURE	(7) UNIT OF MEAS- URE	(8) QUAN- TITY PER UNIT ASSEM- BLY
GROUP 22—MISCELLANEOUS EQUIPMENT Continued							
2202.1—HAND WINDSHIELD WIPER—Continued							
	800-728-2	7069274	WO-A2586	22-1	LOCK, stop, crank (tension type wiper)-----	ea	1
	G503-7002980	7002980	FM-GP17500		WIPER, windshield, hand, single, assy-----	ea	2
	G503-5700002	5700002	WO-A11433	18-2	WIPER, windshield, hand, tandem, assy-----	ea	1
			FM-GPW17500		WIPER, windshield, hand, tension type, assy-----	ea	1
2202.2—VACUUM WINDSHIELD WIPER							
H-17	H017-0500810	500810	TRI-SP-AL102	22-2	ARM, adjustable, 8 to 11½ in-----	ea	2
			WO-A12865				
			FM-G8T18279A				
H-17	H017-0500812	500812	TRI-E778-30ZE	22-2	BLADE, 8¼ in-----	ea	2
			WO-A12864				
			FM-G8T17528B				
H-6	H106-0119922	119922	TRI-F1059J	22-2	BUSHING, pipe, shoulder, S, glvd, ¼ x ⅝ (to in- take manifold).	ea	1
			TRI-80994ZE	22-2	CLIP, hoses-----	ea	3
			TRI-80545ZE	22-2	CLIP, tubes-----	ea	4
			TRI-128-16ZE	22-2	SCREW-----	ea	7
H-6	H006-0214315	137405		22-2	CONNECTOR, flared tube, inverted, br, ¼ in. tube, ⅝ in. male pipe end (w/o NUT) (to intake manifold).	ea	1
G-9	G518-7000997	7000997	WO-345961		GROMMET, ru 1½/32 (windshield wiper line through cowl).	ea	1
			FM-GPW13434A				
			TRI-848-5	22-2	HOSE, motor to tee, left-----	ea	1
			TRI-848-27	22-2	HOSE, motor to tee, right-----	ea	1
			TRI-848-1	22-2	HOSE, tee to tube-----	ea	1
			TRI-848-14	22-2	HOSE, upper to lower tube-----	ea	1
	G503-7099461	7099461	WO-640527		LINE, vacuum, assy (lower)-----	ea	1
			FM-GPW17536				
H-17	H017-0500844	500844	TRI-S583-1	22-2	MOTOR, windshield wiper-----	ea	2
			WO-663366				
			FM-GPA17508				

H-6	H006-0230310	137397	TRI-1851-28ZE TRI-2328-13ZE	22-2 22-2 22-2	SCREW, mach, No. 10-32 x 1/2----- WASHER, lock, No. 10----- NUT, inverted flared tube fitting, S, cd or zn-pltd, 1/4 in.-----	ea ea ea	4 4 1
G-9	G502-7099460	7099460	TRI-79513ZE WO-A12751 FM-11C17489 TRI-2092-10 TRI-2092-44ZE WO-A12755	22-2 22-2 22-2	TEE, vacuum line----- TUBE, lower (See LINE, vacuum 7099461)----- TUBE, upper, vacuum line-----	ea ea ea	1 1 1
2208.1—SPFEDOMETER AND RELATED PARTS							
G-9	G503-7044232	7044232	SW-777F1.1038	-----	ADAPTER, speedometer (Used only when 7.50 x 16 tires are installed).	ea	1
			AL-SPK66 WO-A8242	-----	BRACKET, mounting (Auto-Lite speedometer) ..	ea	1
			KS-40333 WO-A8126	-----	BRACKET, mounting (King-Seely speedometer) ..	ea	1
G-9	2980-SPS1100R	-----	AL-SPS1100R WO-A1343 FM-GPW17261A WO-A5449 FM-GPW2281	-----	CASING, flexible shaft, assy (52 long)-----	ea	1
H-1	H001-4135661	120361	-----	-----	CLIP, open, 5/16 in. 7/32 bolt hole (speedometer shaft).	ea	2
H-1	H001-5148271	120222	-----	-----	NUT, mach screw, hex, S, cd or zn-pltd, No. 10-24NC-2.	ea	2
H-1	H001-7025621	120217	-----	-----	SCREW, mach, rd-hd, S, cd or zn-pltd, No. 10-24NC-2 x 5/8.	ea	2
G-9	G503-0384600	-----	AL-SPS1105X WO-A1344 FM-GPW17262	-----	WASHER, lock, med, S, cd or zn-pltd, No. 10 CORE, flexible shaft, assy (53 1/2 long)-----	ea ea	2 1
G-9	G518-7000997	7000997	WO-345961 FM-GPW13434A AL-8X72B WO-A8127	-----	GEAR, drive and driven (See sub-group 0802.5) .. GROMMET, rubber, 1 1/2 ID (flexible shaft through cowl).	ea ea	1 2
H-1	H001-1518005	106497	AL-12X196 WO-A8129 KS-40350 WO-A8125 KS-5131 WO-53194 SW-17641	-----	NUT, wing, S, No. 10-32NF (Auto-Lite speed- ometer).	ea	2
			-----	-----	WASHER, lock, med, S, No. 10 (Auto-Lite speedometer).	ea	2
			-----	-----	NUT, wing, No. 10-32NF speedometer mounting (King-Seely speedometer).	ea	2
			-----	-----	WASHER, lock, No. 10 (King-Seely speed- ometer).	ea	2
			-----	-----	NUT, wing, No. 10 speedometer mounting (Stew- art Warner speedometer).	ea	2
G-9	G085-1102402	-----	SW-5052	-----	WASHER, lock, No. 10 (Stewart Warner speedometer).	ea	2

(1) NOTE SYMBOL	(2) STOCK NO.	(3) ORDNANCE PART NO.	(4) MFR'S PART NO.	(5) FIGURE NO.	(6) NOMENCLATURE	(7) UNIT OF MEAS- URE	(8) QUAN- TITY PER UNIT ASSEM- BLY
GROUP 22—MISCELLANEOUS EQUIPMENT— Continued							
2208.1—SPEEDOMETER AND RELATED PARTS—Continued							
G-9	G503-7744255	7744255	WO-A1267 FM-GPW17260 FM-GPW17260A	-----	SHAFT, flexible, assy (Includes CASING and CORE).	ea	1
G-9	3320-GPW17255	-----	FM-GPW17255	-----	SPEEDOMETER, assy (Superseded by SPEEDOMETER C138301).	ea	1
G-9	G116-0401031	C138301 B266142	AL-SPK4003 KS-40355 SW-590AB WO-A5734 WO-A8180 FM-GPW17255A	18-2	SPEEDOMETER, assy-----	ea	1
2210—INSTRUCTION AND NAME PLATES							
	G503-7697856	7697856	WO-A1330 FM-GPW1101621A KHW-25696 WO-A5472 FM-GPW1045 WO-A11757 FM-1101629A	18-2	PLATE, caution (on instrument panel)-----	ea	1
				-----	PLATE, instruction, combat wheels-----	ea	5
				-----	PLATE, name, vehicle (Superseded by PLATE WO-A17344).	ea	1
	G503-7768200	7768200	WO-A17344	18-2	PLATE, name, vehicle-----	ea	1
	G503-7743811	7743811	WO-A1331 FM-GPW1101627A	18-2	PLATE, shifting instruction-----	ea	1

NOTES

- G-9 Items used in two or more G groups (automotive major items).
M-5 Items used in two or more lettered groups (ordnance major items).
‡ As required.

ALPHABETICAL INDEX

Certain classes of parts are not included in this index. Those parts which are attaching parts and are indented under the parts attached have been omitted as they can be located by looking up the item attached. For example: to find attaching parts for the oil pan, look up PAN, oil, in this index and turn to the group referenced where the attaching parts will be found.

Item	Group	Item	Group
ABSORBER, shock.....	1604	BATTERY.....	0612
ADAPTERS:		BEADLOCK, wheel tire.....	1313
Instrument panel light.....	0607	BEARINGS:	
Speedometer drive.....	0802. 5;	Distributor.....	0604. 1
	2208. 1	Engine camshaft.....	0105. 3
AMMETER.....	0605	Engine connecting rod.....	0104. 1
ANTISQUEAK.....	1701	Generator.....	0601. 1;
APRON, fender.....	1701		0601. 3
ARMS:		Heat control valve shaft.....	0108
Distributor spark advance control.....	0604. 1	Main, engine.....	0102. 1
Generator brush.....	0601. 1;	Propeller shaft joint.....	0900
	0601. 3	Starter.....	0603
Steering gear.....	1401. 1	Steering bellcrank.....	1401
Steering knuckle.....	1004	Steering column.....	1401. 1
Windshield adjusting.....	1804	Transfer intermediate shaft.....	0802. 2
Windshield wiper.....	2202. 1;	Transfer output shaft.....	0802. 3
	2202. 2	Transmission main drive gear.....	0702. 1
ARMATURES:		Transmission main shaft.....	0702. 2
Generator.....	0601. 1;	BEARING and SHAF'T, engine water pump.....	0504
	0601. 3	BELLCRANK, steering.....	1401
Generator regulator.....	0602. 1;	BELLOWS, water pump seal.....	0504
	0602. 3	BELT, fan.....	0505
Circuit breaker.....	0602. 1;	BLADE, windshield wiper.....	2202. 1;
	0602. 3		2202. 2
Current regulator.....	0602. 1;	BLOCKS:	
	0602. 3	Cylinder.....	0101
Voltage regulator.....	0602. 1;	Junction.....	0608
	0602. 3	BODIES:	
Starter.....	0603	Engine oil pump.....	0106. 1
AXLES:		Truck, assembly.....	1800
Front assembly.....	1000	Water pump.....	0504
Rear assembly.....	1100	BOLTS:	
BACK, seat.....	1806	Adjusting, hand brake band.....	1201. 1
BAFFLE, crankcase ventilator.....	0106. 5	Axle spring.....	1601. 1
BALLS:		Brake master cylinder fitting.....	1204. 1
Front axle universal joint.....	1006	Center, axle spring.....	1601
Steering gear worm.....	1401. 1	Crankshaft counterweight.....	0102
Transfer shifter shaft.....	0804	Engine, connecting rod cap.....	0104. 1
Transmission gear shifter lever.....	0704	Eye, brake pedal to master cylinder.....	1204. 1
BANDS:		Eye, safety chain.....	1503
Generator end head.....	0601. 1;	Glove compartment lock.....	1808
	0601. 3	Hand brake band clip.....	1201. 1
Hand brake.....	1201. 1	Headlight mounting.....	0609. 1
Starter end head.....	0603	Safety strap.....	1804
BARS:		Stock steering knuckle.....	1004
Front bumper.....	2101	Thru, generator.....	0601. 1
Tie, brake master cylinder.....	1204. 1	Torque reaction spring.....	1602
BASE:		"U", axle spring shackle.....	1601. 1
Distributor.....	0604. 1	"U", propeller shaft.....	0900
Shock absorber.....	1604		

ALPHABETICAL INDEX—Continued

Item	Group	Item	Group
BOOTS:		BUSHINGS—Continued	
Brake master cylinder.....	1204. 1	Spark plug cable support.....	0605
Brake wheel cylinder.....	1204. 2	Speedometer drive gear.....	0802. 5
BOW, top.....	2201	Steering gear housing.....	1401. 1
BRACES:		Steering gear jacket.....	1401. 1
Fender.....	1701	Torque reaction spring leaf.....	1602
Frame.....	1501	Torque reaction spring shackle.....	1602
Generator.....	0601. 1;	Transfer output clutch gear.....	0802. 3
	0601. 3	Transmission countershaft.....	0702. 3
Instrument panel to dash.....	1808	Transmission idler gear.....	0702. 3
BRACKETS:		Transmission second speed gear.....	0702. 2
Brake line.....	1204. 3	Windshield wiper.....	2202. 2
Distributor shield.....	0615	BUTTON, horn contact.....	0611
Distributor stationary contact.....	0604. 1	CABLES:	
Engine oil filler pipe.....	0106. 6	Battery.....	0612
Engine oil filter.....	0106. 2	Chassis wiring.....	0613. 1
Frame.....	1501	Generator.....	0601. 1
Gages.....	0607	Generator regulator.....	0602. 1;
Generator brace.....	0601. 3		0602. 3
Generator regulator.....	0602. 1;	Hand brake.....	1201. 1;
	0602. 3		1201. 2
Hand brake adjusting screw.....	1201. 2	Horn.....	0611
Hand rail.....	2201	Ignition coil.....	0605
Hold down battery.....	0612	Lights.....	0609. 1
Hood catch.....	1703	Spark plug.....	0605
Horn.....	0611	Starter.....	0605
Ignition coil.....	0605	Stay engine.....	0100
Mounting engine.....	0100	Trailer coupling socket.....	0617
Mounting speedometer.....	2208. 1	CAGE, front axle universal joint.....	1006
Ratchet, hand brake.....	1201. 1;	CAMS:	
	1201. 2	Operating, hand brake.....	1201. 1
Rifle holder.....	1808	Service brake shoe anchor pin.....	1202
Seat.....	1806	CAMSHAFT, engine.....	0105. 3
Spare gasoline can.....	1808	CAPS:	
Spare wheel carrier.....	1504	Differential case bearing.....	1002; 1102
Top bow pivot.....	2201	Distributor.....	0604. 1
Windshield.....	1804	Dust, propeller shaft yoke.....	0900
BRAKES:		Filler, brake master cylinder.....	1204. 1
Hand, contracting type.....	1201. 1	Filler radiator.....	0501
Hand, expanding type.....	1201. 2	Propeller shaft bearing.....	0900
Service, assembly.....	1202	Spark plug, oil ignition.....	0605
BREAKER, circuit, generator regulator.....	0602. 1;	Steering knuckle.....	1004
	0602. 3	Tire valve.....	1313
BREAKERS, circuit.....	0608	Transfer output shaft bearing.....	0801
BRUSHES:		Transmission gear shift lever housing.....	0704
Generator.....	0601. 1;	Wheel hub.....	1312
	0601. 3	CAPACITORS:	
Horn cable contact.....	0611	Distributor.....	0604. 1
Starter.....	0603	Suppression.....	0615
BUMPERS:		CASES:	
Axle.....	1604	Differential.....	1002;
Windshield, hood top.....	1703		1102
BUMPERETTE, rear.....	2101	Engine oil filter.....	0106. 2
BUSHINGS:		Rifle.....	1808
Axle, spring eye.....	1601	Transfer.....	0801
Axle, spring shackle.....	1601. 1	Transmission.....	0701
Front axle universal joint.....	1006	CASING, speedometer flexible shaft.....	2208. 1
Front wheel spindle.....	1004	CATCHES:	
Generator brace.....	0601. 1	Hood.....	1703
Hand brake operating lever.....	1201. 2		
Shock absorber.....	1604		

ALPHABETICAL INDEX—Continued

Item	Group	Item	Group
CATCHES—Continued		COVERS—Continued	
Windshield clamp.....	1804	Generator.....	0601. 1; 0601. 3
CHAINS:		Generator regulator.....	0602. 1
Camshaft drive.....	0105. 4	Headlight.....	2201
Windshield thumb screw.....	1804	Inspection, transmission case.....	0701
CLAMPS:		Rear axle housing.....	1101
Ax.....	1808	Shock absorber.....	1805
Brake line.....	1204. 3	Spark plug.....	0615
Engine oil filter.....	0106. 2	Steering gear housing.....	1401. 1
Hand brake cable tube.....	1201. 1; 1201. 2	Steering gear jacket.....	1401. 1
Steering gear jacket.....	1401. 1	Tie rod end.....	1401
Steering knuckle rod.....	1401	Top.....	2201
Windshield.....	1804	Trailer coupling socket.....	0617
CLEVIS, hand brake cable.....	1201. 2	Trailer plug housing.....	1804
CLIPS:		Transfer case.....	0801
Axle spring leaf.....	1601	Transmission.....	1805
Axle spring to axle.....	1601. 1	Transmission gear shift lever housing.....	0704
Brake line.....	1204. 3	Windshield.....	2201
Chassis wiring.....	0613. 1	CRANKS:	
Distributor breaker lever spring.....	0604. 1	Hand brake cable.....	1201. 1
Hand brake cable tube.....	1201. 1; 1201. 2	Windshield wiper.....	2202. 1
Retracting spring, hand brake.....	1201. 2	CRANKSHAFT, engine.....	0102
Speedometer flexible shaft.....	2208. 1	CUPS:	
Torque reaction spring leaf.....	1602	Brake master cylinder.....	1204. 1
Windshield wiper line.....	2202. 2	Brake wheel cylinder.....	1204. 2
COCK, drain, engine.....	0101	Differential bearing.....	1002; 1102
COILS:		Horn contact button spring.....	0611
Generator.....	0601. 3; 0601. 1	King pin bearing.....	1004
Starter.....	0603	Oil distributor.....	0604. 1
COLLARS:		Oil generator.....	0601. 1; 0601. 3
Distributor drive shaft.....	0604. 1	Steering gear balls.....	1401. 1
Spacing windshield wiper.....	2202. 1	Transfer case support insulator.....	1501
CONDUIT, battery to starter switch cable... 0613. 1		Transfer support insulator.....	0800
CONES:		Transmission, shifter shaft.....	0701
Differential bearing.....	1002; 1102	Wheel hub bearing.....	1311
King pin bearing.....	1004	CURTAIN, side.....	2201
Wheel hub bearing.....	1311	CUSHION, seat.....	1806
CONNECTORS:		CYLINDERS:	
Crank windshield wiper.....	2202. 1	Glove compartment lock.....	1808
Distributor terminal post.....	0604. 1	Master, service brake.....	1204. 1
Generator regulator series coil.....	0602. 1	Wheel, service brake.....	1204. 2
Headlight harness.....	0613. 1	Differential, assembly.....	1002, 1102
Starter field coil.....	0603	DISKS:	
CORES:		Engine oil pump.....	0106. 1
Speedometer flexible shaft.....	2208. 1	Shock absorber rebound valve.....	1604
Tire valve.....	1313	Wheel.....	1311
COUNTERSHAFT, transmission.....	0702. 3	DISTRIBUTOR.....	0604. 1
COVERS:		DOORS:	
Battery.....	0612	Glove compartment.....	1808
Brake cylinder.....	1805	Lights.....	0609. 1
Distributor terminal slot.....	0604. 1	DRIVE, bendix starter.....	0603
Drag link.....	1401	DRUMS:	
Engine oil filter.....	0106. 2	Hand brake.....	1201. 1 1201. 2
Engine oil pump.....	0106. 1	Wheel brake.....	1312
Engine timing gear.....	0105. 4	ECCENTRIC, service brake shoe.....	1202
Engine valve springs.....	0105. 1	ELBOW, engine water outlet.....	0503
Front axle housing.....	1001	ELEMENT, engine oil filter.....	0106. 2

ALPHABETICAL INDEX—Continued

Item	Group	Item	Group
END, tie rod.....	1401	GASKETS—Continued	
ENGINE, assembly.....	0100	Generator regulator terminal.....	0602. 1
EQUALIZER, starter field coil.....	0603	Hand brake backing plate.....	1201. 2
EYELET, curtain fastener.....	2201	Intake and exhaust manifold.....	0108
FANS:		Lights.....	0609. 1
Engine.....	0505	Propeller shaft.....	0900
Generator ventilator.....	0601 3	Radiator filler cap.....	0501
FASTENER, side curtain.....	2201	Rear axle housing cover.....	1101
FELT, steering knuckle oil seal.....	1004	Rear axle shaft.....	1104
FENDER, assembly.....	1701	Shock absorber.....	1604
FERRULES, horn cable.....	0611	Spark plug.....	0605
FILLERS:		Steering gear housing cover.....	1401. 1
Fender brace.....	1701	Steering knuckle oil seal.....	1004
Front bumper bar.....	2101	Timing gear cover.....	0105. 4
FILTERS:		Trailer coupling socket.....	0617
Oil, engine.....	0106. 2	Transfer.....	0801
Radio suppression.....	0615	Transfer oil seal.....	0802. 3
FITTING, brake master cylinder.....	1204. 1	Transmission gear shift lever housing.....	0704
FLANGES:		Transmission to engine.....	0700
Companion, transfer, rear.....	0802. 3	Water pump.....	0504
Drive, front axle shaft.....	1006	GEARS:	
FLAP, wheel tire.....	1313	Camshaft drive.....	0105. 4
FLOAT, engine oil strainer.....	0106. 6	Cluster, transmission.....	0702. 3
FLYWHEEL, engine.....	0103	Drive speedometer.....	0802. 5
FORKS:		Drive, transmission main.....	0702. 1
Gear shifter, transmission.....	0704	Driven speedometer.....	0802. 5
Shifter, transfer.....	0804	Engine oil pump.....	0106. 1
FRAMES:		Reverse idler, transmission.....	0702. 3
Chassis.....	1501	Ring, engine flywheel.....	0103
Generator.....	0601. 3	Side, differential.....	1002; 1102
Hold down battery.....	0612	Steering, assembly.....	1401. 1
Radiator guard.....	2101	Transfer.....	0802. 3
Seat.....	1806	Transfer input.....	0802. 1
Starter.....	0603	Transfer intermediate shaft.....	0802. 2
Tool compartment.....	1808	Transmission low and reverse speed.....	0702. 2
Windshield.....	1804	Transmission second speed.....	0702. 2
GAGES:		GEAR SET, differential drive.....	1002; 1102
Engine oil level.....	0106. 6	GENERATOR, assembly.....	0601. 1; 0601. 3
Fuel.....	0607	GLASS, windshield.....	1804
Oil pressure.....	0607	GROMMETS:	
Water temperature.....	0607	Chassis wiring.....	0613. 1
GASKETS:		Engine oil filter bracket.....	0106. 2
Brake line tee.....	1204. 3	Speedometer flexible shaft.....	2208. 1
Brake master cylinder.....	1204. 1	Transfer shift lever.....	1805
Crankcase ventilator.....	0106. 5	Water temperature gage.....	0607
Cylinder head.....	0101	Windshield wiper line.....	2202. 2
Differential pinion oil seal.....	1002; 1102	GUARDS:	
Engine crankshaft slinger.....	0102	Blackout driving light.....	2101
Engine front plate.....	0105. 4	Brake line.....	1204. 3
Engine oil filler cap.....	0106. 6	Exhaust pipe.....	1501
Engine oil filter.....	0106. 2	Generator commutator and bearing.....	0601. 1
Engine oil pan.....	0106. 6	Radiator.....	2101
Engine oil pump.....	0106. 1	GUIDES:	
Engine oil strainer float support.....	0106. 6	Engine valve.....	0105. 1
Engine, valve spring cover.....	0105. 1	Generator brace.....	0601. 1
Engine water outlet elbow.....	0503	Rear axle shaft.....	1104
Front axle cover.....	1001	Shock absorber piston rod.....	1604
Generator.....	0601. 1; 0601. 3	GUSSETS:	
Generator regulator cover.....	0602. 1	Front bumper.....	1501

ALPHABETICAL INDEX—Continued

Item	Group	Item	Group
GUSSETS—Continued		KEYS:	
Tow board to frame.....	1805	Heat control valve lever.....	0105
HANDLES:		Ignition switch.....	0605
Body.....	1804	KNOBS:	
Hand brake cable.....	1201. 1; 1201. 2	Light switches.....	0608
Rifle holder.....	1808	Transfer gear shift lever.....	0804
Windshield frame.....	1804	Transmission gear shift lever.....	0704
Windshield wiper.....	2202. 1	Windshield adjusting.....	1804
HARNESSES, chassis wiring.....		0613. 1	1004
HEADS:		KNUCKLE, steering.....	
Cylinder.....	0101	LAMP, instrument panel.....	
Generator end.....	0601. 1; 0601. 3	0607	
Shock absorber.....	1604	LAMP UNIT, lights.....	
Starter.....	0603	0609. 1	
HINGES:		LATCHES:	
Glove compartment door.....	1808	Glove compartment door.....	1808
Headlight support.....	0609. 1	Pintle lock.....	1503
Hood.....	1703	LEAVES:	
Tool compartment lid.....	1808	Axle spring.....	1601
HOLDERS:		Torque reaction spring.....	1602
Rifle.....	1808	LEVERS:	
Starter brush.....	0603	Distributor breaker.....	0604. 1
HOOD, assembly.....		Hand brake.....	1201. 2
HORN.....		Heat control valve.....	0108
HOSES:		Main light switch.....	0608
Engine water outlet.....	0503	Transfer gear shift.....	0804
Radiator to surge tank.....	0501	Transmission gear shift.....	0704
Radiator water connection.....	0503	LID, tool compartment.....	
Windshield wiper line.....	2202. 2	1808	
HOUSINGS:		LIGHTS.....	
Engine flywheel.....	0103	0609. 1	
Front axle assembly.....	1001	LINES:	
Lights.....	0609. 1	Brake.....	1204. 3
Rear axle.....	1101	Crankcase ventilator.....	0106. 5
Starter bendix drive pinion.....	0603	Engine oil filter.....	0106. 6
Steering gear.....	1401. 1	Oil pressure gage.....	0106. 6
Tool compartment lock.....	1808	Service brake shoe.....	1202
Transfer, front.....	0801	LINERS:	
Transmission gear shift lever.....	0704	Body sill.....	1800
HUBS:		Radiator guard to hold.....	2101
Second and high speed synchronizer.....	0702. 2	LINING, brake.....	
Wheel.....	1312	1201. 1; 1201. 2; 1202	
IMPELLER, water pump.....		LINKS:	
INSULATORS:		Drag.....	1401
Distributor.....	0604. 1	Hand brake operating cam.....	1201. 1
Engine support.....	0100	Hand brake operating lever.....	1201. 2
Generator.....	0601. 1; 0601. 3	Hand brake retracting spring.....	1201. 2
Generator regulator.....	0602. 1; 0602. 3	LOCKS:	
Starter.....	0603	Engine valve spring.....	0105. 1
Transfer support.....	0800	Pintle hook.....	1503
INTERLOCK, transfer shifter shaft.....		Spring shackle bolt.....	1601. 1
JACKET, steering gear.....		Tool compartment lid.....	1808
JET, oil timing gear.....		Windshield wiper crank.....	2202. 1
JOINT, universal, front axle.....		LOOPS:	
JOURNAL, propeller shaft.....		Footman.....	1804; 2201
		Windshield hold down.....	1804
		MANIFOLDS:	
		Exhaust, engine.....	0108
		Intake, engine.....	0108
		MEMBER, cross, frame.....	1501
		MIRROR, rear view.....	2202
		MOTOR, windshield wiper.....	2202. 2
		NIPPLE, marker light.....	0609. 1

ALPHABETICAL INDEX—Continued

Item	Group	Item	Group
NUTS:		PISTONS—Continued	
Adjusting, hand brake	1201. 1; 1201. 2	Brake wheel cylinder	1204. 2
Adjusting, wheel bearing	1311	Engine	0104
Brake line	1204. 3	Shock absorber	1604
Clinch	1701	PIVOT, top bow	2201
Clinch, frame	1501	PLATES:	
Engine crankshaft	0102	Axle spring seat	1601. 1
Engine, tappet screw	0105. 2	Back clincher	2201
Mounting, spare wheel	1504	Backing, hand brake	1201. 2
Shock absorber piston rod	1604	Backing, service brake	1202
Wing, speedometer	2208. 1	Dimmer switch	1805
OUTRIGGER, frame	1501	Distributor	0604. 1
PACKINGS:		End, engine, rear	0103
Crankshaft	0102	Engine, front	0105. 4
Transmission gear shift lever housing	0704	Frame	1501
PADS:		Guide, transmission gear shift lever	0704
Crash	1806	Instruction	2210
Seats	1806	Lock, countershaft and idler shaft	0702. 3
Service brake pedal	1204. 1	Lock, transfer intermediate shaft	0802. 2
PADDING, windshield glass	1804	Name	2210
PANS:		Second and high speed synchronizer	0702. 2
Floor	1805	Service brake shoe anchor pin	1202
Oil, engine	0106. 6	Shock absorber	1604
PANELS:		Stop brake master cylinder piston	1204. 1
Body	1804	Surge tank shield	0501
Cowl	1804	Tapping body	1804
Dash	1804	Thrust, engine camshaft	0105. 3
Front seat	1806	PLUGS:	
Wheelhouse	1804	Air vent, front axle	1001
PEDAL, service brake	1204. 1	Air vent, rear axle	1101
PILLAR, cowl	1804	Cylinder block	0101
PILOT, front axle universal joint	1006	Drag link ball seat	1401
PINS:		Drain, engine oil filter	0106. 2
Anchor, service brake shoe	1202	Drain, engine oil pan	0106. 6
Clevis, hand brake cable	1201. 2	Drain, front axle	1001
Dowel, engine flywheel	0103	Drain, rear axle	1101
Dowel, engine main bearing	0102. 1	Drain, transfer	0801
Engine piston	0104	Drain, transmission	0710
Front axle universal joint	1006	Expansion, propeller shaft yoke	0900
Guide, transmission fork	0704	Filler brake master cylinder	1204. 1
King	1004	Floor drain	1805
Lock, king pin	1004	Generator commutator end head bearing cover	0601. 1
Locking, differential pinion shaft	1002; 1102	Spark	0605
Pivot, pintle latch	1503	Steering gear housing	1401. 1
Steering bellcrank shaft	1401	Steering knuckle	1004
Transfer gear shift lever	0804	Transfer poppet ball spring	0804
Transmission countershaft washer	0702. 3	PLUNGERS:	
Transmission gear shift lever plate	0704	Distributor cap	0604. 1
PINIONS:		Interlock transmission	0704
Differential	1002; 1102	Relief engine oil pump	0106. 1
Engine oil pump	0106. 1	Thrust, engine camshaft	0105. 3
PINTLE, assembly	1503	POINT SET, distributor	0604. 1
PIPES:		POLES:	
Drain crankshaft bearing cap	0102	Shoe, generator	0601. 1
Engine oil filler	0106. 6	Starter field coil	0603
Radiator to surge tank	0501	POSTS:	
Radiator water connection	0503	Distributor terminal	0604. 1
PISTONS:		Generator terminal	0601. 1; 0601. 3
Brake master cylinder	1204. 1	Starter terminal	0603

ALPHABETICAL INDEX—Continued

Item	Group	Item	Group
PULLEYS:			
Engine crankshaft.....	0102	RINGS—Continued	
Fan and water pump.....	0505	Snap—Continued	
Generator.....	0601. 1; 0601. 3	Transmission main gear seal.....	0702. 1
PUMPS:			
Oil, engine.....	0106. 1	Transmission main shaft pilot rollers.....	0702. 2
Water engine.....	0504	Starter bendix drive.....	0603
RACE, front axle universal joint.....			
	1006	Trailer coupling socket cover.....	0617
RADIATOR, assembly.....			
	0501	Windshield thumb screw.....	1804
RAIL, side, frame.....			
	1501	RODS:	
REFLECTOR, ruby.....			
	2202	Brace radiator.....	0501
REGULATORS:			
Current generator regulator.....	0602. 1; 0602. 3	Connecting engine.....	0104. 1
Generator.....	0602. 1; 0602. 3	Piston, shock absorber.....	1604
Voltage, generator regulator.....	0602. 1; 0602. 3	Push, brake master cylinder.....	1204. 1
REINFORCEMENT, engine mounting bracket.....			
	0100	Tie, steering.....	1401
RESISTORS:			
Blackout driving light.....	0608	ROLLERS:	
Generator regulator.....	0602. 1; 0602. 3	Propeller shaft bearing.....	0900
REST, foot.....			
	1805	Transmission main shaft pilot bearing.....	0702. 2
RETAINERS:			
Body.....	1804	ROTORS:	
Brake master cylinder check valve cup.....	1204. 1	Distributor.....	0604. 1
Crankshaft front packing.....	0102	Engine oil pump.....	0106. 1
Engine thermostat.....	0503	SCREWS:	
Engine valve spring.....	0105. 1	Adjusting, engine tappet.....	0105. 2
Front axle universal joint shaft.....	1006	Adjusting, hand brake.....	1201. 2
Generator.....	0601. 1; 0601. 3	Adjusting, steering arm shaft.....	1401. 1
Grease seal, shackle.....	0601. 1	Bleeder, brake wheel cylinder.....	1204. 2
Headlight bolt.....	0609. 1	Engine bearing cap.....	0102
Propeller shaft bearing gasket.....	0900	Generator.....	0601. 1; 0601. 3
Service brake pedal shaft.....	1204. 1	Generator regulator.....	0602. 1; 0602. 3
Spring, engine oil pump.....	0106. 1	Starter.....	0603
Steering knuckle oil seal.....	1004	Thumb, top bow.....	2201
Transmission main gear bearing.....	0702. 1	Windshield.....	1804
Windshield.....	1804	SEALS:	
RIM, wheel.....			
	1311	Distributor breaker plate.....	0604. 1
RINGS:			
Contact horn cable.....	0611	Dust, tie rod end.....	1401
Distributor cam.....	0604. 1	Floor.....	1805
Engine piston.....	0104	Fuel tank stone guard.....	1805
Gear shift lever housing cover.....	1805	Glove compartment door.....	1808
Packing retaining, timing gear cover.....	0105. 4	Grease, spring shackle.....	1601. 1
Retaining, steering gear balls.....	1401. 1	Oil, crankshaft, front.....	0102
Second and high speed synchronizer.....	0702. 2	Oil, differential drive pinion bearing.....	1002; 1102
Snap:			
Front axle universal joint shaft.....	1006	Oil, front axle shaft.....	1006
Generator armature shaft.....	0601. 3	Oil, rear axle shaft.....	1104
Propeller shaft bearing.....	0900	Oil, shock absorber.....	1604
Second and high speed synchronizer.....	0702. 2	Oil, steering arm shaft.....	1401. 1
Steering gear jacket.....	1401. 1	Oil, steering knuckle.....	1004
Transfer shaft.....	0802. 3	Oil, transfer output shaft.....	0801
Transmission main gear bearing.....	0702. 1	Oil, transfer shifter shaft.....	0804
RINGS—Continued			
Snap—Continued			
Transmission main gear seal..... 0702. 1			
Transmission main shaft pilot rollers..... 0702. 2			
Starter bendix drive..... 0603			
Trailer coupling socket cover..... 0617			
Windshield thumb screw..... 1804			
RODS:			
Brace radiator..... 0501			
Connecting engine..... 0104. 1			
Piston, shock absorber..... 1604			
Push, brake master cylinder..... 1204. 1			
Tie, steering..... 1401			
ROLLERS:			
Propeller shaft bearing..... 0900			
Transmission main shaft pilot bearing..... 0702. 2			
ROTORS:			
Distributor..... 0604. 1			
Engine oil pump..... 0106. 1			
SCREWS:			
Adjusting, engine tappet..... 0105. 2			
Adjusting, hand brake..... 1201. 2			
Adjusting, steering arm shaft..... 1401. 1			
Bleeder, brake wheel cylinder..... 1204. 2			
Engine bearing cap..... 0102			
Generator..... 0601. 1; 0601. 3			
Generator regulator..... 0602. 1; 0602. 3			
Starter..... 0603			
Thumb, top bow..... 2201			
Windshield..... 1804			
SEALS:			
Distributor breaker plate..... 0604. 1			
Dust, tie rod end..... 1401			
Floor..... 1805			
Fuel tank stone guard..... 1805			
Glove compartment door..... 1808			
Grease, spring shackle..... 1601. 1			
Oil, crankshaft, front..... 0102			
Oil, differential drive pinion bearing..... 1002; 1102			
Oil, front axle shaft..... 1006			
Oil, rear axle shaft..... 1104			
Oil, shock absorber..... 1604			
Oil, steering arm shaft..... 1401. 1			
Oil, steering knuckle..... 1004			
Oil, transfer output shaft..... 0801			
Oil, transfer shifter shaft..... 0804			
Oil, transmission main drive gear..... 0702. 1			
Oil, transmission main shaft..... 0702. 2			
Oil, wheel hub bearing..... 1311			
Radiator air deflector..... 1804			
Steering bellcrank bearing..... 1401			
Tool compartment lid..... 1808			
Water pump..... 0504			
SEATS:			
Ball, drag link..... 1401			
Brake master cylinder check valve..... 1204. 1			
(Crew)..... 1806			

ALPHABETICAL INDEX—Continued

Item	Group	Item	Group
SEATS—Continued		SLINGERS:	
Shock absorber rebound spring.....	1604	Differential drive pinion bearing.....	1002; 1102
Steering gear jacket spring.....	1401. 1	Oil, crankshaft.....	0102
SHACKLE, torque reaction spring.....		SNAP RING (See RING, snap)	
	1602	SNUBBER, transfer support insulator.....	
SHAFTS:			
Differential pinions.....	1002; 1102	SOCKETS:	
Distributor.....	0604. 1	Curtain fastener.....	2201
Engine oil pump.....	0106. 1	Instrument panel lamp.....	0607
Flexible speedometer.....	2208. 1	Trailer coupling.....	0617
Front axle.....	1006	SPACERS:	
Intermediate, transfer.....	0802. 2	Camshaft thrust plate.....	0105. 3;
Main transmission.....	0702. 2		0105. 4
Propeller.....	9900	Crankshaft gear or sprocket.....	0105. 4
Rear axle.....	1104	Differential drive pinion bearings.....	1002; 1102
Reverse idler gear.....	0702. 3	Frame gusset and bracket.....	1501
Service brake pedal.....	1204. 1	Generator.....	0601. 1;
Shifter, transfer.....	0804		0601. 3
Shifter, transmission.....	0704	Hand brake clamp.....	1201. 2
Starter bendix drive.....	0603	Shock absorber rebound disk.....	1604
Steering arm.....	1401. 1	Spare wheel bracket.....	1504
Steering bellcrank.....	1401	Starter bearing.....	0603
Steering gear.....	1401. 1	Steering gear bolt.....	1401. 1
Transfer clutch gear.....	0802. 3	Transmission countershaft bushings.....	0702. 3
Transfer output.....	0802. 3	Transmission rear bearing.....	0702. 2
SHAFT and BEARING, engine water pump.....		Windshield adjusting arm.....	1804
	0504	SPEEDOMETER, assembly.....	
SHEATH, ax.....			2208. 1
	1804	SPINDLE, front wheel.....	
SHIELDS:			1004
Brake master cylinder.....	1204. 1	SPRINGS:	
Crankshaft pulley.....	0102	Axle.....	1601
Differential drive pinion.....	1002; 1102	Camshaft thrust plunger.....	0105. 3
Drag link cover.....	1401	Distributor.....	0604. 1
Propeller shaft yoke.....	0900	Drag link ball.....	1401
Radio suppression.....	0615	Engine oil filter.....	0106. 2
Steering bellcrank bearing.....	1401	Engine oil pump.....	0106. 1
Surge tank.....	0501	Engine valve.....	0105. 1
Transfer flange and yoke.....	0802. 3	Generator brace.....	0601. 1
SHIMS:		Generator brush.....	0601. 1;
Crankshaft, front.....	0102		0601. 3
Differential case bearing.....	1002; 1102	Generator regulator.....	0602. 1;
Differential drive pinion bearing.....	1002; 1102		0602. 3
Engine front support.....	0100	Glove compartment door.....	1808
Engine oil pump spring.....	0106. 1	Hand brake.....	1201. 1;
Front axle universal joint.....	1006		1201. 2
King pin bearing.....	1004	Heat control valve.....	0108
Radiator bracket.....	1501	Pintle lock latch.....	1503
Steering gear.....	1401. 1	Return brake master cylinder piston.....	1204. 1
Transfer output shaft bearing cap.....	0801	Return, brake wheel cylinder piston.....	1204. 2
SHOES:		Rifle holder.....	1808
Hand brake.....	1201. 2	Seat.....	1806
Service brake.....	1202	Shock absorber.....	1604
SILL, floor pan.....		Starter bendix drive.....	0603
	1805	Starter brush.....	0603
SLEEVES:		Steering gear jacket bearing.....	1401. 1
Second and high speed synchronizer.....	0702. 2	Tie rod end.....	1401
Shock absorber.....	1604	Torque reaction.....	1602
Speedometer driven gear.....	0802. 5	Transfer poppet ball.....	0804
Starter bendix drive.....	0603	Transfer shift lever.....	0804
		Transmission gear shift lever.....	0704
		Transmission shift lever plate.....	0704

ALPHABETICAL INDEX—Continued

Item	Group	Item	Group
SPRINGS—Continued		TUBES—Continued	
Transmission shift shaft ball.....	0704	Propeller shaft.....	0900
Water pump.....	0504	Shock absorber.....	1604
SPRING SET, distributor governor weight....	0604. 1	Tie rod.....	1401
SPROCKET, camshaft chain drive.....	0105. 4	Wheel.....	1313
STARTER.....	0603	Windshield wiper line.....	2202. 2
STEP, cowl.....	1804		
STOP, heat control valve spring.....	0108	UNION, oil pressure gage line.....	0106. 6
STRAPS:		VALVES:	
Bonding.....	0615	Check brake master cylinder.....	1204. 1
Gasoline can.....	1808	Crankcase ventilator.....	0106. 5
Ground battery.....	0612	Engine.....	0105. 1
Mounting, surge tank.....	0501	Heat control, engine.....	0108
Safety seats.....	1806	Shock absorber.....	1604
Top, hold down.....	2201	VENT, transfer case.....	0806. 5
Top lock.....	2201	VENTILATOR, crankcase.....	0106. 5
Top roll.....	2201		
STRIKERS:		WASHERS:	
Glove compartment.....	1808	Curtain fastener.....	2201
Tool compartment.....	1808	Distributor.....	0604. 1
STRIP, steering knuckle oil seal.....	1004	Generator.....	0601. 1; 0601. 3
STUD, camshaft thrust plunger.....	0105. 3	Generator regulator.....	0602. 1; 0602. 3
SUPPORTS:		Heat control valve spring.....	0108
Battery.....	0612	Packing, propeller shaft.....	0900
Body.....	1804	Pulley shield.....	0102
Engine oil strainer float.....	0106. 6	Shock absorber.....	1604
Generator.....	0601. 1; 0601. 3	Starter.....	0603
Hand brake ratchet to bracket.....	1201. 1	Steering bellcrank shaft.....	1401
Headlight.....	0609. 1	Thrust, camshaft.....	0105. 3
Spare gas can.....	1808	Thrust, countershaft.....	0702. 3
Starter to engine block.....	0603	Thrust, crankshaft.....	0102
Steering gear jacket.....	1401. 1	Thrust, differential pinion.....	1002; 1102
SUPPRESSOR, spark plug.....	0615	Thrust, differential side gear.....	1002; 1102
SWITCHES:		Thrust, front axle universal joint.....	1006
Ignition.....	0605	Thrust, transfer intermediate gear.....	0802. 2
Lights.....	0608	Thrust, transfer shaft.....	0802. 3
Starter.....	0603	Top bow pivot.....	2201
SYNCHRONIZER, second and high speed....	0702. 2	Trailer coupling socket.....	0617
TANKS:		Transmission gear shift lever spring.....	0704
Supply brake master cylinder.....	1204. 1	Water pump seal.....	0504
Surge, radiator.....	0501	Wheel bearing.....	1311
TAPPET, engine valve.....	0105. 2	Windshield.....	1804
TEES:		WEATHER STRIP, windshield.....	1804
Brake line.....	1204. 3	WEBBING, windshield bumper.....	1703
Windshield wiper line.....	2202. 2	WEIGHT, distributor governor.....	0604. 1
TERMINALS:		WHEEL, assembly.....	1311
Battery.....	0612	WHEEL, steering.....	1401. 1
Generator.....	0601. 1; 0601. 3		
Spark plug cables.....	0605	WICKS:	
Starter.....	0603	Oil distributor.....	0604. 1
THERMOSTAT, engine water.....	0503	Oil generator.....	0601. 1
TIRE, pneumatic, wheel.....	1313	WINDSHIELD.....	1804
TRANSFER, assembly.....	0800	WIPER, windshield, hand.....	2202. 1
TRANSMISSION, assembly.....	0700		
TRAY, battery.....	1501	YOKES:	
TRIM, seats.....	1806	Propeller shaft.....	0900
TUBES:		Transfer, front.....	0802. 3
Frame cross member.....	1501		

ORDNANCE AND MANUFACTURERS' PART NUMBER INDEX

This index is arranged in strict numerical sequence, that is all letters or dashes prefixed, suffixed, or interspersed within the numbers are disregarded. For instance: TP-14SV89A7 is in sequence as 14897, but the complete number, including the manufacturer's symbol as the prefix, is shown in the listing. All Ordnance part numbers appear without any prefix. Ordnance Standard part numbers for items appearing in Ordnance Standard H- and K-group Supply Catalogs are not included in this index as they may appear in too many subgroups to be of any value in an index of this kind.

NUMBER	GROUP	NUMBER	GROUP	NUMBER	GROUP
CNC-0	2201	AL-MZ30A	0603	AL-GBF55	0601. 3
FM-GPW	0609. 1	AL-GEG31	0601. 1	AL-GBG56	0601. 3
SP-LW1	0804	AL-GAU31	0601. 1	AL-GBJ57	0601. 3
AL-GG6	0601. 1	AL-MU31	0603	AL-GBG58	{0601. 1
AL-DH7	0601. 1	AL-MAB31	0603		{0601. 3
AL-IAD7	0604. 1	AL-GBJ32A	0601. 1	SP-S58	{1002
AL-IAD8	0604. 1	AL-GAA32	0601. 1		{1102
AL-ILG8	0604. 1	AL-MZ32	0603	SP-58J	1201. 2
AL-IGL9	0604. 1	AL-GEG33	0601. 1	CNC-58	2201
AL-IAD10	0604. 1	AL-GBW34	0601. 1	SP-S59	{1002
AL-MZ12	0603	AL-GBY34	0601. 3		{1102
AL-MZ12A	0603	AL-GAA35	{0602. 1	AL-DA60	{0601. 1
AL-IAD12	0604. 1		{0602. 3		{0601. 3
CNC-12	2201	AL-MU36	0601. 3	HLH-T60B	1503
AL-MU14	0603	AL-GDJ36	0601. 3	CNC-60	2201
SP-14W	1201. 2	AL-GDJ37	0601. 3	HLH-T62XA	1503
AL-VRA15	{0602. 1	AL-MU37	0603	AL-GDJ63A	0601. 3
	{0602. 3	AL-GBY38A	0601. 1	HLH-T63	1503
AL-VRA16	{0602. 1	AL-GDJ38	0601. 3	AL-GBW66	0601. 1
	{0602. 3	AL-GBG38	0601. 3	AL-GBG66	0601. 3
AL-MZ16	0603	AL-MZ38A	0603	AL-GDJ66	0601. 3
AL-VRA17	{0602. 1	AL-DA39	0601. 1	AL-SPK66	2208. 1
	{0602. 3	AL-MU39	0603	AL-GBW67	0601. 1
AL-MZ19	0603	AL-GCE40	0601. 3	AL-GDJ67	0601. 3
AL-DA22	0601. 1	AL-GAL44	0601. 1	AL-VRA67	0602. 1
AL-DK23	0601. 1	AL-GEB44	0601. 1	HLH-T67	1503
AL-GDJ23	0601. 3	AL-VRA46	0602. 1	AL-GDJ68	0601. 3
AL-VRA23	0602. 3	AL-EBA46	0603	AL-GBW69	0601. 1
AL-GCE24	0601. 1	AL-MAK49	0601. 1	AL-IGT69	0604. 1
AL-GBG24B	0601. 3	AL-GBG49	0601. 3	AL-GBW72	0601. 1
AL-GDJ24	0601. 3	AL-GBG50	0601. 3	AL-GBW73	0601. 1
AL-MZ24A	0603	AL-VRA50	0602. 1	AL-GAR73	0601. 1
AL-GBJ25	0601. 1	AL-VRH50	0602. 1	AL-DGJ73	0601. 3
AL-GCT25	0601. 1	CNC-50	2201	AL-MZ74	0603
AL-GCY25	0601. 1	AL-VRA51	0602. 1	SP-S74	{1002
AL-GC26	0601. 1	AL-TC51U	0602. 1		{1102
AL-GBG26	0601. 3	AL-TC51N	0602. 1	SP-S75	{1002
AL-VRH26	0602. 1	AL-TC51A	0602. 3		{1102
AL-GBG-27	0601. 1	AL-TC51J	0602. 3	AL-GT76	0601. 1
AL-GEB27	0601. 1	AL-TC51L	0602. 3	AL-VRA76	{0602. 1
AL-GDJ27	0601. 3	AL-TC51N	0602. 3		{0602. 3
AL-GCY27	0601. 3	AL-MZ51	0603	AL-MG77A	0603
AL-GCY28	0601. 3	AL-VRA52	0602. 1	AL-GT78	0601. 1
AL-MU28	0603	AL-MZ52	0603	AL-EBA78	0603
AL-IGH28	0604. 1	AL-GCE53	0601. 1	HLH-78	1503
AL-GEB29	0601. 1	AL-CCE53	0601. 3	AL-GBF79	0601. 1
AL-MZ29	0603	AL-GCE54	0601. 1	AL-GBG81	0601. 3
AL-GBG30	0601. 3	AL-MU54	0603	WG-C8-2½	0704

ORDNANCE AND MANUFACTURERS' PART NUMBER INDEX—Continued

NUMBER	GROUP	NUMBER	GROUP	NUMBER	GROUP
AL-VRA84	{0602. 1	SP-373J	1201. 1	WO-A542	0100
AL-MAB88	0603	SP-3Q74	1201. 1	WO-A544	1501
AL-IG90	0604. 1	SP-3Q76	{1201. 1	WO-A547	1501
AL-IG94	0605	AN-S384	1201. 2	WO-A548	1501
AL-GAR98A	0601. 1	AL-X394	1804	WO-A549	1501
CNC-98	2201	DM-D398	0601. 3	WO-A556	1204. 1
AL-IGS99	0604. 1	WO-A405	0608	WO-A557	1204. 1
AL-GEB100B	0601. 1	WO-A410	0202	WO-A562	1204. 3
AL-IGS104	0604. 1	WO-A415	0702. 2	WO-A568	1601. 1
AL-EB108	0603	WO-A416	1501	WO-A571	1601. 1
AL-VRA109	0602. 1	WO-A418	1501	WO-A572	1601. 1
SP-S112	{1002	WO-A419	1501	WO-A574	1601. 1
	1102	WO-A420	1501	WO-A575	1601. 1
SP-S113	{1002	WO-A421	1501	AL-IG579A	0604. 1
	1102	SP-4B26	1501	SW-590AB	2208. 1
SP-S114	{1002	SP-4B26	1201. 1	WO-A592	0503
	1102	SP-433D	0804	WO-A593	1503
AL-IGC117	0604. 1	WO-A439	0103	AN-X598	1804
SP-122D	0801	AL-SP443	0601. 3	LO-FC602	1204. 1
AL-GCE125	0601. 1	WO-A445	1100	LO-FC603E	1204. 1
AL-GCE125A	0601. 1	WO-A447	0505	WO-A612	1601
SP-124J	0802. 3	WO-A450	1202	WO-A613	1601
SP-12B5	1201. 1	WO-A463	0304	WO-A614	1601
AL-GAG138	0602. 1	WO-A472	1312	WO-A619	1401
AL-MBD145	0601. 3	WO-A473	1311	WO-A621	1401
WO-A146	0100	WO-A474	1311	WO-A622	1401
SP-14B6	1201. 1	WO-A475	1311	WO-A623	1401
WO-A147	0800	WO-A476	{1311	WO-A630	1204. 3
SP-153SP	1201. 1	SP-477W	1504	WO-A631	1204. 3
GAR-1A55	0301	WO-A481	0801	WO-A633	1401. 1
AL-GK162	0601. 1	AL-SP484AS	1604	WO-A634	0611
TP-16MNS	1401	AL-SP484	0601. 1	SP-634D	0801
WO-A169	1604	WO-A484	0601. 1	WO-A636	1401. 1
WO-A170	1604	AL-SP484A	1501	WO-A637	1501
SP-S171	{1002	WO-A485	0601. 1	SP-S638	{1002
	1102	WO-A490	1501		1102
WO-A176	0202	WO-A493	0900	WO-A641	1204. 1
WO-A177	0202	WO-A495	1204. 1	WO-A642	0304
WO-A178	0202	WO-A498	1204. 1	WO-A647	1204. 1
WO-A180	0202	WO-A499	0202	WO-A655	0401
WO-A181	0202	WO-A500	0202	WO-A657	{0401
WO-A183	1204. 1	WO-A508	1501		0401. 1
WO-A185	1501	WO-A513	1501	WO-A658	{0401
BA-B194	1804	AL-IG514	1601. 1		0401. 1
AL-IGB199	0604. 1	WO-A514	0604. 1	WO-A668	1501
AL-IGB202S	0604. 1	AL-IG515	1601. 1	AL-IG676	0604. 1
TSE-215B	0106. 6	SP-5B15	0604. 1	AL-IG680	0604. 1
SP-223V	1201. 2	WO-A515	1201. 1	WO-A683	1204. 3
WO-A224	0304	CNC-515	1601. 1	SP-690W	0802. 2
WO-A227	1604	SP-5B16	2201	CAR-698S	0301
SP-232SP	1201. 1	WO-A518	1201. 1	AL-IG694	0604. 1
SP-238R	1201. 1	WO-A519	0702. 2	SP-710W	0802. 3
WO-A281	0304	CNC-519	0702. 2	SP-715W	{0802. 3
WG-AS2T84J	0700	WO-A520	1804		0900
CAR-2-89	0301	WO-A524	0802. 1	WO-A719	0609. 1
WO-A302	0611	TA-OP528	0702. 3	WO-A738	0702. 2
AL-IGB350S	0604. 1	AL-X532	1808	WO-A739	0702. 3
SP-363SP	0804	WO-A534	0603	WO-A740	1401. 1
RMC-A365	0105. 1	WO-A535	1501	WO-A742	1401. 1
RMC-A366	0105. 1	CAR-539S	1401. 1	WO-A745	1401. 1
			0301	WO-A747	0611

ORDNANCE AND MANUFACTURERS' PART NUMBER INDEX—Continued

NUMBER	GROUP	NUMBER	GROUP	NUMBER	GROUP
WO-A750	0611	AL-IG816C	0604. 1	WO-A936	0900
WO-A751	0611	WO-A818	1004	WO-A940	0900
WO-A752	0611	WO-A819	1004	WO-A941	0900
WO-A754	1202	WO-A820	1004	WO-A942	0900
WO-A760	1006	WO-A821	1004	WO-A943	0900
	1102	CA-D822	1401	WO-A945	0900
WO-A764	1002	WO-A824	1004	WO-A950	0900
	1102	WO-A825	1004	WGT-T9-50P	0802. 1
HP-779	1604	WO-A828	1004	WO-A953	0801
WO-A780	1006	WO-A830	1004	SP-S953	1006
WO-A781	1001	WO-A831	1004	WO-A954	0801
	1100	MAE-83C1	1604	WO-A956	0801
WO-A782	1001	WO-A832	1004	WO-A957	0801
	1100	WO-A833	1004	SP-S957	1004
WO-A784	1002	WO-A838	1401	AL-X959	0601. 1
	1102	WG-T84J1A	0701	WO-A959	0804
WO-A785	1002	WG-T84J2½	0702. 2	WO-A960	0804
	1102	WG-T84H2	0702. 2	WO-A962	0804
WO-A786	1002	WG-AT84H2	0702. 2	SP-S962	1004
	1102	WG-AC84J2A	0704	WO-A963	0804
WO-A787	1002	WG-T84G3	0702. 3	WO-A964	0804
WO-A788	1002	WO-A844	1401	WO-A965	0804
	1102	WG-T84J6	0702. 1	WO-A966	0804
WO-A789	1002	AL-X847	0601. 1	WO-A967	0804
	1102	WO-A847	1401	WO-A970	0804
WO-A792	1002	WG-T848J8	0702. 3	WO-A971	0804
	1102	WG-AT84J8	0702. 3		0704
WO-A793	1002	WO-A851	1004	WO-A972	0804
	1102	WO-A853	1004	WO-A973	0804
WO-A794	1002	SP-854D	0804	WO-A975	0802. 3
	1102	WO-A855	1401	WO-A976	0802. 3
WO-A795	1002	SP-856D	1201. 1	WO-A978	0802. 3
	1102	WO-A856	1401	WO-A979	0802. 3
WO-A796	1002	WO-A858	1401		0900
	1102	WO-A859	1401	WO-A980	0802. 3
1002	WO-A860	1401	0900		
WO-A797	1102	WO-A861	1401	WO-A982	0801
	1002	WO-A862	1006	WO-A983	0801
WO-A798	1102	WO-A863	1006	WO-A984	0801
	1002	WO-A865	1311	WO-A985	0802. 5
WO-A799	1102	WO-A866	1311	WO-A987	0802. 3
	1002	WO-A867	1311	WO-A988	0802. 3
WO-A800	1102	WO-A868	1006	WO-A989	0802. 3
	1002	WO-A869	1312	WO-A990	0802. 3
WO-A801	1102	WO-A870	1001	WO-A991	0802. 3
	1002		1100	WO-A992	0802. 3
WO-A802	1102	AL-8X72B	2208. 1	WO-A996	0802. 3
	1002	WO-A876	1401	WO-A997	1201. 1
WO-A803	1102	WO-A878	0702. 3	WO-A998	0802. 2
	1002	WO-A879	0702. 3	WO-A999	0802. 2
WO-A804	1102	WO-A880	0702. 3	WO-A1000	0802. 2
	1002	WO-A887	0202	WO-A1001	0802. 2
WO-A805	1102	SP-887D	1201. 1	AL-VRA1002	0602. 1
	1002	WO-A888	1100	WO-A1002	1201. 1
WO-A806	1102	WO-A901	1102	WO-A1003	1201. 1
	1006	WO-A902	1102	AL-IAD1004	0604. 1
WO-A810	1006	WO-A903	1202	WO-A1004	1201. 1
WO-A811	1004	WO-A904	1102	AL-GEB1005A	0601. 1
WO-A812	1004	WO-A912	0108	AL-GDJ1005	0601. 3
WO-A813	1004	WO-A934	0860. 5	WO-A1005	1201. 1
WO-A814	1004	WO-A935	0900	WO-A1006	1201. 1

ORDNANCE AND MANUFACTURERS' PART NUMBER INDEX—Continued

NUMBER	GROUP	NUMBER	GROUP	NUMBER	GROUP
AL-GEB1007A	0601. 1	AL-VRH1073	0602. 1	WO-A1148	0701
AL-GDJ1007	0601. 3	WO-A1073	0602. 3	AL-IGC1149	0604. 1
AL-MZ1007	0603	AL-PS1079A	0609. 1	WO-A1150	1501
AL-GDJ1008	0601. 3	AL-VRY1080B	0603	WO-A1151	1501
AL-MZ1008A	0603	AL-VRH1080	0602. 1	WO-A1152	1501
AL-MZ1008	0603	AL-IGS1080	0602. 3	WO-A1153	1501
WEP-1008	0608	WO-A1082	0604. 1	WO-A1155	0704
WO-A1008	1201. 1	WO-A1083	0609. 1	WO-A1156	0704
AL-GDJ1009	0601. 3	FM-GP1088	0312	WO-A1157	2101
AL-MZ1009B	0603	WO-A1089	1004	WO-A1164	0612
AL-MZ1009	0603	FM-GP1089	0608	WO-A1165	0108
WO-A1009	1201. 1	FM-GP1092	1004	WO-A1166	0108
AL-GDJ1010	0601. 3	WO-A1096	1004	WO-A1167	0106. 6
AL-MZ1010	0603	WO-A1098	0605	WO-A1172	0312
AL-GCE1012	0601. 1	AL-SPS1100R	0615	WO-A1173	0312
FM-GP1012	1311	FM-GP1102	2208. 1	WO-A1174	0312
FM-GP1013	1311	FM-GP1103	1312	WO-A1175	0312
WO-A1014	1201. 1	WO-A1105	1312	CAR-11B79	0301
WO-A1015	1201. 1	AL-SPS1105X	0802. 3	WO-A1190	0105. 4
FM-GPW1015	1311	WO-A1106	2208. 1	WO-A1192	0503
WO-A1016	1201. 1	SP-S1106	0900	WO-A1195	0800
FM-GPW1016	1311	FM-GP1107	1401	WO-A1197	0106. 6
AL-1017A	0607	FM-GP1108	1311	WO-A1198	0106. 6
WO-A1017	1201. 1	CA-S-X1109	1311	WO-A1199	1401. 1
SP-10B18	1201. 1	BN-C1110Q	1401	WO-A1201	1501
WO-A1018	1201. 1	FM-GP1110	0702. 2	WO-A1202	1501
WO-A1019	1201. 1	FM-GPW1110	1006	WO-A1203	1501
FM-GPW1020A	0601. 1	CA-S-X1110	1102	WO-A1204	1501
WO-A1020	1201. 1	WO-A1111	1401	WO-A1205	1501
WO-A1021	1201. 1	WO-A1116	0802. 3	WO-A1211	1401
AL-MZ1024	0603	WO-A1117	1401. 1	WO-A1212	1000
FM-GPW1024	1311	WO-A1120	2101	WO-A1214	0501
FM-GPW1026A	0601. 1	WO-A1124	1501	WO-A1215	0501
FM-GPW1027	1311	FM-GP1124	0102	WO-A1216	0501
WO-A1028	0802. 3	WO-A1125	1311	WO-A1217	0501
FM-GPW1029	1311	AL-GCE1125	0102	FM-GP1218	1311
AL-GE1030	0601. 1	AL-GCE1125A	0601. 1	WO-A1220	0302
FM-GPW1030	1311	WO-A1127	0601. 1	WO-A1221	0306
WO-A1031	0609. 1	WO-A1128	1501	WO-A1223	0301
AL-MZ1034A	0603	WO-A1129	1501	WO-A1224	0304
AL-MZ1034	0603	WO-A1130	1501	WO-A1225	0312
WO-A1036	0609. 1	AL-IGC1132LB	1501	WO-A1226	1201. 1
AL-VRY1043	0602. 1	AL-IGC1133A	0604. 1	WO-A1227	1201. 1
AN-S1044	1804	AL-GCE1133A	0601. 1	WO-A1228	1201. 1
WO-A1045	0302	AL-IGS1134LA	0601. 1	WO-A1230	0106. 2
FM-GPW1045	2210	AL-IGS1134L	0604. 1	WO-A1231	0106. 2
WO-A1046	0302	WO-A1134	0604. 1	WO-A1232	0106. 2
WO-A1047	0302	CAR-11B35	0802. 3	WO-A1233	0106. 2
WO-A1051	0100	WO-A1135	0301	WO-A1234	0106. 2
AL-GBG1056	0601. 3	SP-S1135	0801	WO-A1235	0106. 2
SP-S1056	0802. 3	SP-S1135	0900	WO-A1236	0106. 2
AL-VRA1060	0602. 1	WO-1136	1006	WO-A1237	0106. 2
WO-A1061	0106. 5	WO-A1136	0801	WO-A1239	1401. 1
AL-VRH1061	0602. 3	WO-A1137	0801	WO-A1241	1201. 1
AL-VRY1061B	0602. 1	WO-A1138	0801	WO-A1242	1201. 1
WO-A1071	0609. 1	FM-GP1139	1501	WO-A1243	0312
AL-GDJ1073	0601. 3	WO-A1142	1312	WO-A1244	0604. 1
		WO-A1145	1501	WO-A1245	0603
		WO-A1146	0700	WO-A1246	0601. 1
		WO-A1147	0401	WO-A1247	0106. 2
		AL-IGC1148	2101	WO-A1251	0106. 2
			0604. 1		

ORDNANCE AND MANUFACTURERS' PART NUMBER INDEX—Continued

NUMBER	GROUP	NUMBER	GROUP	NUMBER	GROUP
WO-A1252	1601. 1	WO-A1351	0608	LO-FE1444	1204. 1
WO-A1253	{0401	WO-A1352	0608	WO-A1445	0900
	1501	WO-A1353	0608	WO-A1450	0106. 6
WO-A1254	0306	WO-A1354	1204. 1	WO-A1451	0304
WO-A1255	0309	WO-A1355	0202	WO-A1452	0613. 1
WO-A1256	0309	WO-A1359	1204. 1	WO-1454	0603
WO-A1257	0309	WO-A1360	0202	WO-A1454	0613. 1
WO-A1258	0309	WO-A1361	0609. 1	WO-A1456	0106. 6
WO-A1259	0309	WO-A1362	0609. 1	WO-A1457	1204. 3
WO-A1260	0309	WO-A1363	0609. 1	WO-A1460	1204. 3
WO-1261	0309	WO-A1366	0306	WO-A1463	0105. 4
WO-A1262	0309	WO-A1367	0306	AL-X1465	{0602. 1
WO-A1263	0309	WO-A1368	0306		0602. 3
WIL-ST1265	0105. 2	WO-A1369	0306	WO-A1468	0601. 1
WO-A1267	2208. 1	WO-A1373	1204. 3	WO-A1469	0601. 1
WO-A1268	0607	WO-A1376	1204. 3	WO-A1470	0601. 1
WO-A1269	0607	WO-A1377	1204. 3	WO-A1472	0306
WO-A1270	0607	WO-A1378	1204. 3	WO-A1476	0306
WO-A1271	0608	WO-A1379	0704	WO-A1477	0306
WO-A1272	0101	WO-A1380	0704	WO-A1480	0306
WO-A1273	0312	WO-A1381	0704	WO-A1481	0306
WO-A1275	0306	WO-A1382	0704	WO-A1484	1204. 2
WO-A1276	1401. 1	WO-A1385	0804	WO-A1486	1204. 3
WO-A1277	1401. 1	WO-A1386	1204. 1	WO-A1487	1204. 3
WO-A1278	0304	WO-A1387	1000	WO-A1488	1204. 3
WO-A1279	0304	WO-A1388	0100	WO-A1490	0608
WO-A1283	1501	WO-A1389	0611	WO-A1491	0601. 1
WO-A1285	0615	WO-A1392	0601. 1	WO-A1494	0302
WO-A1287	0615	WO-A1395	0601. 1	WO-A1496	1202
WO-A1289	{0306	FM-GPW1395	0603	WO-A1497	1202
	0613. 1	WO-A1396	0601. 1	LO-FC1499	1204. 2
WO-A1290	0304	WO-A1397	0601. 1	WO-A1501	1204. 3
WO-A1291	0612	WO-A1399	0601. 1	WO-A1502	1204. 2
WO-A1292	0306	WO-A1400	0601. 1	WO-A1503	0801
WO-A1293	0306	WO-A1401	0601. 1	WO-A1504	0804
WO-A1296	0401	CAR-1-407	0301	WO-A1505	0804
BX-12986	1202	WO-A1409	0602. 1	WO-A1506	0804
WO-A1300	0401	WO-A1410	0802. 1	WO-A1507	0801
WO-A1301	0312	WO-A1411	0607	WO-A1508	0801
WO-A1304	0609. 1	WO-A1412	0605	WO-A1509	0801
WO-A1305	0609. 1	WO-A1414	0605	WO-A1510	0802. 1
WO-A1307	0312	WO-A1416	0605	WO-A1511	0802. 5
WO-A1308	0312	WO-A1418	0605	LO-FC1511	1204. 3
WO-A1311	0304	WO-A1420	0605	WO-A1512	0802. 5
WO-A1312	0611	TR-14DS20	1401	WO-A1514	1501
WO-A1320	0612	WO-A1422	1401. 1	WO-A1515	{0304
AL-IG1324	0604. 1	WO-A1424	0605		1204. 3
AL-IG1324D	0604. 1	WO-A1426	0900	WO-A1526	0605
WO-A1325	0306	WO-A1428	0900	WO-A1534	0101
WO-A1326	0900	WO-A1429	0900	WO-A1548	0101
WO-A1327	0900	WO-A1431	1501	WO-A1549	0101
WO-A1330	2210	FM-GPW1433B	1504	WO-A1551	0613. 1
WO-A1331	2210	WO-A1434	0900	WO-A1553	0603
WO-A1341	1501	WO-A1435	0801	WO-A1554	0603
WO-A1343	2208. 1	FM-A1435	0801	WO-A1555	0603
WO-A1344	2208. 1	WO-A1436	0609. 1	WO-A1556	0603
WO-A1347	0608	WO-A1437	0609. 1	WO-A1557	0603
WO-A1348	0608	WO-A1439	0609. 1	WO-A1558	0603
WO-A1349	0608	WO-A1440	0609. 1	WO-A1559	0603
WO-A1350	{0605	WO-A1443	0103	WO-A1560	0603
	0608	TP-14DM43	1401	WO-A1561	0603

ORDNANCE AND MANUFACTURERS' PART NUMBER INDEX—Continued

NUMBER	GROUP	NUMBER	GROUP	NUMBER	GROUP
WO-A1562	0603	WO-A1656	0604. 1	AN-X1755	1804
WO-A1563	0603	WO-A1657	0604. 1	WO-A1757	0612
WO-A1564	0604. 1	AL-IG1657R	0604. 1	WO-A1760	1401. 1
WO-A1565	0603	WO-A1658	0604. 1	WO-A1763	0306
WO-A1566	0603	WO-A1659	0604. 1	WO-A1764	0802. 3
WO-A1568	0603	WO-A1660	0604. 1	WO-A1765	1000
WO-A1569	0603	WO-A1661	0604. 1	WO-A1785	0601. 1
WO-A1570	0604. 1	WO-A1662	0604. 1	WO-1786	0601. 1
WO-A1573	0603	WO-A1663	0604. 1	WO-A1787	0601. 1
WO-A1574	0603	WO-A1664	0604. 1	WO-A1788	0601. 1
WO-A1565	0603	WO-A1665	0613. 1	WO-A1789	0601. 1
WO-A1576	0603	WO-A1671	0604. 1	WO-A1793	0601. 1
WO-A1577	0603	WO-A1672	0604. 1	WO-A1795	1201. 1
WO-A1578	0603	WO-A1673	0604. 1	WG-1AT84H2	0702. 2
WO-A1579	0603	WO-A1674	0604. 1	WG-1AT84J2½	0702. 2
WO-A1580	0603	WO-A1675	0604. 1	SP-18-5-1	0802. 2
WO-A1581	0603	WO-A1676	0604. 1	SP-18-8-1	0802. 3
WO-A1582	0603	WO-A1677	0604. 1	SP-18-8-2	0802. 3
WO-A1583	0603	WO-A1678	0604. 1	SP-18-8-7	0802. 1
WO-A1584	0603	WO-A1679	0604. 1	WO-A1910	0312
WO-A1585	0603	WO-A1681	0604. 1	AL-MZ2001C	0603
WO-A1586	0603	WO-A1682	0604. 1	AL-IAD2001	0604. 1
WO-A1590	0601. 1	WO-A1684	0604. 1	AL-IAD2004	0604. 1
WO-A1591	0601. 1	WO-A1687	0604. 1	MSP-F2005	1501
WO-1592	0601. 1	WO-A1689	1312	MSP-F2007	1501
WO-A1593	0601. 1	WO-A1690	1312	MSP-F2009	1501
WO-A1594	0601. 1	WO-A1691	1312	FM-GPW2010	1202
WO-A1595	0601. 1	WO-A1699	0615	FM-GPW2011	1202
WO-A1596	0601. 1	WO-A1703	1001	AL-GDJ2012S	0601. 3
WO-A1597	0601. 1	WO-A1704	1401	FM-GP2013	1202
WO-A1598	0601. 1	WO-1705	1401	AL-IAD2015	0604. 1
WO-A1599	0601. 1	WO-A1706	1401	FM-GP2018	1202
WO-A1600	0601. 1	WO-A1708	1401	FM-GP2019	1202
WO-A1601	0601. 1	WO-A1709	1401	FM-GP2021	1202
WO-A1602	0601. 1	WO-A1710	1004	CAR-20-22	0301
WO-A1603	0601. 1	WO-A1712	1004	FM-GP2022	1202
WO-A1604	0601. 1	WO-A1714	1004	CAR-20-26	0301
WO-A1605	0601. 1	WO-A1715	1006	FM-GP2028	1202
WO-A1606	0601. 1	WO-A1716	1006	FM-GP2035	1202
WO-A1607	0601. 1	WO-A1718	1006	FM-GP2038	1202
WO-A1608	0601. 1	WO-A1719	1006	AL-MAB2040A	0603
WO-A1612	0601. 1	WO-A1720	1006	CAR-20-45	0301
WO-A1621	0601. 1	WO-A1721	1006	CAR-20-61	0301
WO-A1623	0601. 1	WO-A1722	1006	FM-GPW2061	1204. 2
WO-A1624	0601. 1	WO-A1723	1006	SP-20B62	1201. 1
WO-A1625	0601. 1	WO-A1724	1006	AL-GDJ2065F	0601. 3
WO-A1627	0601. 1	WO-A1726	1006	CAR-20-72	0301
WO-A1628	0601. 1	WO-A1727	1006	SP-20B73	1201. 2
WO-A1629	0601. 1	WO-A1728	1006	FM-GPW2073	1501
WO-A1630	0601. 1	WO-A1729	1006	AL-GDJ2074	0601. 3
WO-A1631	0604. 1	WO-A1731	0609. 1	FM-GP2074	1204. 3
WO-A1637	0601. 1	WO-A1734	0608	FM-GP2076	1204. 1
WO-A1639	0601. 1			FM-GP2077	1204. 1
WO-A1643	0601. 1	WO-A1735	1201. 1	FM-GPW2078	1204. 3
WO-A1644	0601. 1		1201. 2	FM-GP2078	1204. 3
WO-A1646	0601. 1	WO-A1738	0306	FM-GP2078	1204. 3
WO-A1649	0601. 1	WO-A1739	0306	FM-GPW2079	1204. 3
WO-A1652	0605	WO-A1740	0306	FM-GPW2081	1204. 3
WO-A1653	0604. 1	WO-A1741	0306	FM-GPW2082	1204. 3
WO-A1654	0604. 1	AL-X1750	1804	FM-GPW2084	1204. 3
WO-A1655	0604. 1	FM-GPW1T750	2101	FM-GP2087	1204. 3
		AN-X1754	1804	AL-MZ2089	0603

ORDNANCE AND MANUFACTURERS' PART NUMBER INDEX—Continued

NUMBER	GROUP	NUMBER	GROUP	NUMBER	GROUP
FM-GPW2096	1204. 3	WO-A2220	1804	FM-GPW2473	1204. 1
LO-S-FD2108F	1204. 1	FM-GPW2223	1204. 3	WO-A2476	1804
AL-GDJ2109	0601. 3	WO-A2226	1804	FM-GPW2476A	1204. 1
LO-S-FD2109B	1204. 1	WO-A2227	1804	WO-A2478	1804
AL-GCE2118	0601. 1	WO-2232	1804	WO-A2479	1804
AL-GCE2118A	0601. 1	ECM-A2233	0603	WO-A2480	1804
AL-GCE2118	0601. 1	WO-A2234	1804	WO-A2482	1804
AL-GEG2120F	0601. 1	WO-A2235	1804	WO-A2483	1804
SP-K2-1-28	0802. 3	WO-A2238	1804	WO-A2485	1804
SP-K2-1-28X	0802. 3	WO-A2239	1804	WO-A2487	1804
FM-GPW2133	1204. 3	FM-GPW2244	1204. 3	SP-K2-4-88X	0900
AL-GEG2134F	0601. 1	WO-A2246	1804	WO-A2501	1804
AL-IGS2134L	0604. 1	FM-GPW2250	{0304	WO-2503	1808
AL-IGS2134LA	0604. 1		{1204. 3	WO-A2512	2202. 1
AL-IGS2135	0604. 1	WO-A2250	1804	WO-A2513	2202. 1
FM-GPW2135	1204. 2	WO-2255	1804	WO-A2515	1806
FM-GPW2138	1204. 1	FM-GPW2261	1204. 2	WO-A2517	0605
WO-A2138	1804	FM-GP2261	1204. 2	WO-A2518	0605
FM-GP2140	1204. 1	FM-GPW2263	1204. 3	WO-A2584	2202. 1
FM-GP2143A	1204. 1	WO-2263	1805	WO-A2586	2202. 1
FM-GP2145	1204. 1	FM-GPW2264	1204. 3	FM-GPW2591	1201. 2
AL-IGC2148C	0604. 1	FM-GPW2265	1204. 3	FM-GPW2592	1201. 2
FM-GP2155	1204. 1	FM-GPW2266	1204. 3	CAR-25-93S	0301
AL-MZ2156	0603	FM-GPW2267	1204. 3	FM-GPW2598	1201. 1
AL-MZ2156A	0603	FM-GPW2268	1204. 3	FM-GPW2598B	1201. 2
SPR-2159	0615	FM-GPW2270A	1201. 1	FM-GPW2606	1201. 2
FM-GP2160	1204. 1	FM-GPW2270	1201. 2	WO-A2607	1806
FM-GP2162	1204. 1	FM-GPW2270B	{1201. 1	FM-GP2614	1201. 1
FM-GP2167	1204. 1		{1201. 2	FM-GPW2614	1201. 2
AL-IGC2168L	0604. 1	WO-A2271	1804	FM-GPW2615	1201. 2
SP-K2-1-68X	0802. 3	FM-GPW2272	{1201. 1	FM-GPW2616	1201. 1
WO-A2168	{1804		{1201. 2	FM-GPW2616B	1201. 2
	2201	FM-GPW2274	1204. 3	FM-GP2620	1201. 1
FM-GP2169	1204. 1	WO-A2278	1805	FM-GPW2620B	1201. 2
FM-GP2170	1204. 1	FM-GPW2279	1201. 1	FM-GPW2621	1201. 2
FM-GP2173	1204. 1	FM-GPW2281	{1204. 3	FM-GPW2630	1201. 1
CAR-21-74S	0301		{2208. 1	FM-GPW2632	1201. 1
FM-GP2174	1204. 1	FM-2298	1204. 3	FM-GPW2632B	1201. 2
FM-GP2175	1204. 1	WO-A2301	1804	FM-GPW2633	1201. 2
FM-GP2176	1204. 1	WO-A2311	1805	FM-GPW2634	1201. 2
FM-GP2180	1204. 1	WO-A2312	1805	FM-GPW2635	{1201. 1
FM-GP2180A	1204. 1	WO-A2325	1804		{1201. 2
FM-GP2183	1204. 1	WO-A2336	1804	WO-A2639	2201
FM-GP2188	1204. 1	WO-A2359	1504	FM-GPW2640	1201. 2
WO-A2188	1703	WO-A2361	1808	FM-GPW2642	1201. 2
WO-A2190	1804	WO-A2375	{1701	FM-GP2648	1201. 1
FM-GP2192	1204. 2		{1805	FM-GPW2648	1201. 2
FM-GP2194	1204. 2	WO-A2386	1804	FM-GPW2653	1201. 2
FM-GPW2196	1204. 2	WO-A2389	1804	FM-GPW2656	1201. 1
FM-GP2196	1204. 2	WO-A2390	1804	FM-GPW2659	1201. 1
FM-GPW2201	1204. 2	CAR-24-23	0301	FM-GPW2660	1201. 2
FM-GP2201	1204. 2	FM-GPW2452A	1204. 1	WO-A2662	1701
FM-GP2204	1204. 2	FM-GPW2452B	1204. 1	SP-K2-6-78X	0900
FM-GP2205	1204. 2	WO-A2453	1806	SP-K2-7-29	0900
FM-GPW2206	1204. 2	FM-GPW2454	1204. 1	WO-A2744	2201
FM-GP2208	1204. 2	FM-GPW2454A	1204. 1	WO-A2745	2201
FM-GPW2210B	1202	AL-IG2456	0604. 1	WO-A2754	2201
FM-GPW2211B	1202	FM-GPW2462	1204. 1	WO-A2756	1804
WO-A2213	1804	WO-A2466	{1804	WO-A2757	1804
WO-A2214	{1804		{1808	WO-A2758	1804
	2201	WO-A2470	1804	WO-A2760	1805

ORDNANCE AND MANUFACTURERS' PART NUMBER INDEX—Continued

NUMBER	GROUP	NUMBER	GROUP	NUMBER	GROUP
WO-A2772	1804	WO-A2908	1806	WO-A3051	2201
FM-GPW2774	1201. 2	WO-A2909	2201	WO-A3052	2201
WO-A2774	1808	WO-A2910	1806	WO-3053	2201
WO-A2775	1808	WO-A2911	1806	WO-A3054	2201
WO-A2776	1804	LO-FC2917	1204. 1	WO-A3055	0306
FM-GPW2780	1201. 1	WO-A2917	1805	WO-A3056	0306
FM-GPW2782	1201. 2	LO-FC2918A	1204. 1	WO-A3059	1703
WO-A2782	1806	WO-A2918	1805	AL-VR Y3070D	0602. 1
WO-A2783	1806	LO-FC2919B	1204. 1	WO-A3070	2201
FM-GPW2784	1201. 2	WO-A2919	1805	AL-VR Y3071B	0602. 1
WO-A2787	1806	WO-A2925	1806	AL-VRH3071	0602. 3
WO-A2788	1806	LO-FC2926	1204. 1	ECM-F3073	0602. 3
WO-A2791	1804	LO-FC2927	1204. 1	FM-GPW3074	1001
FM-GPW2793	1201. 2	WO-A2930	0306	WO-A3094	2101
WO-A2796	1804	WO-A2931	1805	WO-A3095	2101
WO-A2798	1804	WO-A2932	1805	WO-A3096	1701
FM-GPW2805	1201. 2	WO-A2933	1805	FM-GP3105	1004
WO-A2810	1808	WO-A2934	2202	WO-A3106	1806
WO-A2811	1808	WO-A2939	1804	WO-A3107	1806
WO-A2815	1804	WO-2939	1804	WO-A3108	1806
WO-A2816	1804	B&B-2940	0201	WO-A3109	2201
AVM-TP2818	0201	WO-A2940	1804	WO-A3110	2201
WO-A2830	1806	WO-A2941	1804	WO-A3111	2201
WO-A2832	1808	WO-A2942	1701	FM-GPW3112	1004
WO-A2833	1806	WO-A2943	1701	WO-A3112	2201
WO-A2836	1703	WO-A2945	1806	FM-GPW3113	1004
WO-A2837	1805	WO-A2948	1805	WO-A3113	2201
WO-A2838	1805	WO-A2950	1805	WO-A3114	1806
WO-A2841	1701	WO-A2952	0306	FM-GP3115	1004
WO-A2842	1701	WO-A2953	0306	WO-3115	1806
WO-A2843	1701	WO-A2954	0306	WO-A3116	1805
WO-A2844	1701	WO-A2968	1804	FM-GP3117A	1004
FM-GPW2848	{ 1201. 1	WO-A2970	0306	FM-GP3117B	1004
	{ 1201. 2	WO-A2979	1804	FM-GP3117C	1004
AVM-TP285-1	0201	WO-A2982	1805	FM-GP3117D	1004
FM-GPW2852	1201. 1	WO-A2983	1806	WO-A3120	1804
FM-GPW2853	1201. 1	WO-A2984	1808	ECM-F3120	0603
FM-GPW2853B	1201. 2	WO-A2985	1806	FM-GP3122	1004
WO-A2853	1804	WO-A2986	1806	FM-GPW3131	1401
ECM-F2855	0603	WO-A2987	1806	FM-GPW3131B	1401
WO-A2858	2101	WO-A2988	1806	WO-A3132	1804
WO-A2859	1401. 1	WO-A2990	1805	FM-GP3135	1004
WO-A2870	0609. 1	WO-A2992	1805	ECM-F3136	0603
AVM-TP28-7-1	0201	WO-A2994	1805	AL-IGW3139	0604. 1
WO-A2871	{ 0609. 1	WO-A2995	1808	FM-GP3139	1004
	{ 1808	WO-A2998	2201	FM-GP3140	1004
WO-A2873	0609. 1	WO-A2999	2201	WO-A3141	2201
WO-2875	0609. 1	FM-GPW3001	1000	WO-A3144	1805
AL-X2878	0604. 1	ECM-F3004	0603	FM-GP3148A	1004
WO-A2878	0609. 1	MSP-F3005	1501	FM-GP3149A	1004
WO-A2879	1804	WO-A3005	1804	WO-A3155	1804
WO-A2886	1806	AL-VRH3008	0602. 3	WO-A3158	1701
WO-A2891	1701	FM-GPW3016A	1006	WO-A3159	1701
WO-A2892	1201. 1	FM-GPW3017A	1006	FM-GPW3165	1401
WO-A2895	1808	CAR-30-20	0301	FM-GPW3166	1401
WO-A2896	1703	LO-FC3023	1204. 2	FM-GPW3167	1401
WO-A2897	2201	AL-IGP3028FS	0604. 1	FM-GPW3168	1401
WO-A2900	2201	WO-A3029	1806	FM-GPW3169	1401
WO-A2901	2201	AL-VR Y3035	0602. 1	FM-GPW3170	1401
WO-A2902	2201	AL-VRH3035	0602. 3	WO-A3173	1804
WO-A2905	1806	CAR-30A39	0301	WO-A3182	1804

ORDNANCE AND MANUFACTURERS' PART NUMBER INDEX—Continued

NUMBER	GROUP	NUMBER	GROUP	NUMBER	GROUP
WO-A3189	1804	LO-FC-34-74	1204. 1	WO-A3823	1808
WO-A3190	1804	WO-A3497	0306	WO-A3835	1808
WO-A3197	1703	FM-GPW3504	1401. 1	CAR-39-10	0301
WO-A3198	1808	FM-GPW3506	1401. 1	CAR-39-11	0301
FM-GP3200	1006	FM-GPW3509	1401. 1	SP-39Q20	{0704
FM-GP3200A	1006	FM-GPW3511	1401. 1		{0804
WO-A3203	1804	FM-GPW3514	1401. 1	WO-A3933	1808
FM-GP3204	1006	FM-GPW3517	1401. 1	WO-A3934	1808
WO-A3204	1804	FM-GPW3518	1401. 1	WO-A3943	1808
FM-GP3205	1004	FM-GPW3520	1401. 1	WO-A3980	1806
FM-GP3205A	1004	FM-GPW3521	1401. 1	WO-A3981	1806
FM-GPW3206A	1006	FM-GPW3524	1401. 1	WO-A3982	1806
WO-A3206	1805	WO-A3531	1808	WO-A3983	1806
FM-GPW3207A	1006	WO-A3532	1808	WO-A3984	1806
WO-A3207	1805	WO-A3536	1808	WO-A3985	1806
FM-GP3208A	1006	WO-A3537	1808	FM-GPW4000	1100
FM-GP3208B	1006	WO-A3538	1808	FM-GPW4001	1100
WO-A3208	1805	FM-GPW3548	1401. 1	AL-SPK4003	2208. 1
WO-A3209	1805	WO-A3549	2101	FM-GPW4004	1100
WO-A3210	1804	FM-GPW3552	1401. 1	AL-IAD4008	0604. 1
WO-A3211	2201	FM-GPW3563	1401. 1	AL-SW4015	0603
FM-GP3215A	1006	WO-3563	1800	FM-GP4015	{1001
FM-GP3216	1006	FM-GPW3568	1401. 1		{1100
WO-A3216	2201	WO-A3574	1804	FM-GP4016A	1001
FM-GP3217	1006	FM-GPW3575	1401. 1	FM-GP4016	{1001
FM-GP3218	1006	WO-A3575	1804		{1100
FM-GPW3219	1006	FM-GPW3576	1401. 1	FM-GP4016A	1100
FM-GP3221	1006	FM-GPW3577	1401. 1	FM-GP4022	{1001
WO-A3222	1805	WO-A3578	1804		{1100
WO-A3225	1703	FM-GPW3581	1401. 1	FM-GP4032	1102
FM-GPW3226	1006	FM-GPW3583	1401. 1	FM-GP4035	{1001
WO-A3226	1808	FM-GPW3587	1401. 1		{1100
FM-GPW3227	1006	FM-GPW3589	1401. 1	ECM-F4045	0603
WO-A3227	1808	FM-GPW3590	1401. 1	AL-IG4070L	0605
FM-GPW3279	1401	FM-GPW3593	1401. 1	AL-VRH4101C	0602. 3
FM-GPW3280	1401	FM-GPW3594	1401. 1	AL-MZ4113	0603
FM-GPW3281	1401	FM-GPW3595	1401. 1	WO-A4116	1804
FM-GPW3282	1401	FM-GPW3600A	1401. 1	WO-A4118	2101
FM-GP3289	1401	WO-A3615	2101	WO-A4120	1804
FM-GP3290	1401	FM-GPW3627	0611	WO-A4123	1808
FM-GP3291	1401	FM-GPW3631	0611	AL-MZ4124	0603
FM-GP3292	1401	FM-GPW3635	0611	WO-A4127	1808
FM-GPW3304	1401	FM-GPW3635B	0611	WO-A4128	1808
FM-GPW3304B	1401	FM-GPW3646	0611	WO-A4130	1808
FM-GPW3305	1401	FM-GPW3652	0611	LO-FC4158	1204. 2
FM-GPW3305B	1401	WO-A3652	1808	AL-VRV4203A	0602. 1
FM-GPW3320	1401	FM-GPW3655	1401. 1	AL-VRV4203B	0602. 1
FM-GPW3323	1401	FM-GPW3658	1401. 1	AL-VRV4203C	0602. 1
FM-GPW3325	1004	LO-S-FC3678A	1204. 1	AL-VRV4203D	0602. 1
FM-GPW3326	1401	FM-GPW3682A	1401. 1	AL-VRV4203F	0602. 1
FM-GPW3327	1401	FM-GPW3685B	0605	AL-VRV4203G	0602. 1
FM-GPW3328	1401	FM-GPW3685	0605	FM-GP4206	{1002
FM-GPW3328A	1401	FM-GPW3686	0605		{1102
FM-GPW3336	1401	FM-GPW3686B	0605	FM-GP4207	{1002
FM-GPW3365	0900	WO-A3780	1703		{1102
FM-GPW3370	0900	WO-A3782	1805	FM-GPW4207	{1002
FM-GP3374	1006	WO-3783	0704		{1102
WO-A3434	1808	WO-A3783	1805	FM-GPW4209	{1002
WO-A3436	1808	WO-A3784	{0804		{1102
WO-A3437	1808		{1805	FM-GP4211	{1002
CAR-3-465S	0301	WO-A3818	1808		{1102

ORDNANCE AND MANUFACTURERS' PART NUMBER INDEX—Continued

NUMBER	GROUP	NUMBER	GROUP	NUMBER	GROUP
FM-GPW4212	{1002	FM-GP4660A	{1002	FM-GPW5072	1501
	1102		1102	WO-A5073	0613. 1
FM-GPW4215	{1002	FM-GP4660B	{1002	WO-A5074	0613. 1
	1102		1002	FM-GPW5077	1501
FM-GP4224	{1002	FM-GP4660C	{1102	WO-A5078	0613. 1
	1102		1102	WO-A5079	0613. 1
FM-GP4228	{1002	FM-GP4661	{1002	WO-A5080	0613. 1
	1102	LO-FD4664	1204. 2	WO-A5081	0613. 1
FM-GP4229A	{1002	LO-4665	1204. 2	WO-A5082	0613. 1
	1102	FM-GP4666	1002	WO-A5083	0605
FM-GP4229B	{1002	FM-GP4666	1102	FM-GPW5084	{0800
	1102	FM-GP4668	{1002		1501
FM-GP4229C	{1002	WO-A4680	1102	FM-GPW5095	1501
	1102	WG-4682K	1703	FM-GPW5097	1501
FM-GP4229E	{1002	WG-4684	0702. 2	AL-GEG5101	0601. 1
	1102	WG-4686	0701	AL-GEG5101D	0601. 1
FM-GP4229D	{1002	WG-4687	0702. 2	WO-A5102	0202
	1102	WO-A4687	2202. 1	WO-A5104	0304
FM-GP4230	{1002	AL-IGC4705	0604. 1	WO-A5105	0106. 6
	1102	SP-475-2	0802. 5	WO-A5106	0312
FM-GPW4234	1102	AL-GDJ4808	0601. 3	FM-GPW5106	1501
FM-GPW4235	1102	FM-GP4841	0900	FM-GPW5113	1501
FM-GPW4236	{1002	FM-GP4842	0900	FM-GPW5116	1401. 1
	1102	FM-GP4863	0802. 3	FM-GPW5118	1204. 1
FM-GP4241	{1002	FM-GPW4863	0802. 3	WO-5120	1805
	1102	FM-GP4865	0802. 3	WO-A5121	0103
FM-GP4252	1311	FM-GP4866	0900	WO-A5125	0100
FM-GPW4259	1102	CAR-48-84	0301	FM-GPW5125	1501
WO-A4260	1804	AL-GEG5001A	0601. 1	WO-A5127	1501
FM-GP4281	{1002	AL-GEG5002D	0601. 1	KS-5131	2208. 1
	1102	FM-GPW5005	1501	CA-S5143	1401
WO-A4300	1804	FM-GPW5005B	1501	CA-S5144	1401
WO-A4303	1804	FM-GPW5015	1501	CA-S5145	1401
B & B-4324	0201	FM-GPW5016	1501	WO-A5164	0503
CAR-43-67	0301	FM-GPW5019	1501	WO-A5165	0106. 6
WO-A4413	0501	FM-GPW5025	1501	FM-GPW5165	0612
WO-A4414	1800	WO-A5027	0615	WO-A5168	0106. 6
WO-A4415	1800	AL-IGP5028	0604. 1	FM-GPW5168	0612
WG-4418M	0704	FM-GPW5028	1501	FM-GPW5175	0612
WG-4496K	0704	WO-A5030	0615	FM-GPW5181	1501
WG-4497	0704	WO-A5031	0615	WO-A5181	1501
WG-4498K	0704	WO-A5032	0615	FM-GPW5182	1503
WO-A4518	1804	WO-A5033	0615	WO-5182	1808
FM-GP4533	0900	WO-A5034	0615	FM-GPW5186	{0617
LO-FD4564	1204. 1	WO-A5035	0615		1503
WO-A4592	1804	FM-GPW5035	1501	WO-5216	2201
FM-GPW4602	0900	WO-A5036	0615	WO-A5224	1204. 3
FM-GPW4605	0900	WO-A5037	0615	WO-A5225	1204. 3
AL-EBA4611	0603	WO-A5038	0615	WO-A5226	1204. 3
WG-4611	0704	WO-A5039	0615	WO-A5227	1204. 3
FM-GP4619	{1002	WO-A5040	0615	FM-GPW5230B	0401
	1102	WO-A5041	{0613. 1	FM-GPW5230	0401
FM-GP4659A	{1002	WO-A5048	0615	FM-GPW5230A	0401
	1102	SW-5052	0613. 1	FM-GPW5230C	0401. 1
FM-GP4659B	{1002	FM-GPW-5057	2208. 1	WO-A5231	0607
	1102	WO-A5061	1501	FM-GPW5233	0401. 1
FM-GP4659C	{1002	CA-S5069	0613. 1	WO-5242	1804
	1102	WO-A5070	1401	FM-GPW5245B	0401. 1
FM-GP4659D	{1002	CA-S5070	0613. 1	FM-GPW5246	0401
	1102	WO-A5072	1401	FM-GPW5246B	0401
FM-4660B	1102		0613. 1	FM-GPW5251	0401

ORDNANCE AND MANUFACTURERS' PART NUMBER INDEX—Continued

NUMBER	GROUP	NUMBER	GROUP	NUMBER	GROUP
FM-GPW5251B	0401. 1	FM-GPW5453	1601. 1	FM-GPW5611	1602
FM-GPW5253	0401. 1	FM-GPW5453B	1601. 1	WO-A5621	0304
WO-5256	0602. 1	FM-GPW5455	1601. 1	WO-A5629	0304
WO-A5256	0602. 3	FM-GPW5455B	1601. 1	WO-A5630	0304
FM-GPW5262	{0401	FM-GPW5456	1601. 1	WO-A5631	0304
	{0401. 1	FM-GPW5458	1601. 1	WO-A5632	0304
FM-GPW5264	0401	FM-GPW5459	1601. 1	WO-A5633	0304
FM-GPW5264A	0401	FM-GPW5460	1601. 1	FM-GPW5705	1601. 1
	{0401	FM-GPW5463	1601. 1	FM-GPW5705B	1601. 1
FM-GPW5264B	{0401. 1	FM-GPW5463B	1601. 1	FM-GPW5705C	1601. 1
	{0401. 1	FM-GPW5464	1601. 1	FM-GPW5724B	1601
FM-GPW5265	0401. 1	FM-GPW5464B	1601. 1	FM-GPW5724A	1601
FM-GPW5266	0401. 1	WO-A5467	1311	LO-S-FC5727A	1204. 1
FM-GPW5269	0401	WO-A5468	1311	WO-A5734	2208. 1
FM-GPW5270	{0401	FM-GPW5468	1601. 1	WO-A5753	{0401
	{0401	WO-A5469	1311		{0401. 1
FM-GPW5274	{0401. 1	WO-A5470	1311	LO-FC5778	1204. 3
	{0401	WO-A5471	1311	FM-GPW5778	1601. 1
FM-GPW5283	{0401. 1	WO-A5472	2210	FM-GPW5779	1601. 1
	{0401	FM-GPW5481	1601. 1	WO-A5781	1201. 2
FM-GPW5291B	{1501	FM-GPW5482	1601. 1	FM-GPW5781	1601
	{0401	WO-A5497	0100	FM-GPW5781A	1601
FM-GPW5298	0401	WO-A5598	1000	FM-GPW5783A	1604
FM-GPW5310B	1601	WO-A5499	1000	LO-FC5784	1204. 3
FM-GPW5310	1601	WO-A5500	1100	LO-FC5795	1204. 3
FM-GPW5311	1601	WO-A5504	1004	SP-5815X	1201. 1
FM-GPW5313B	1601	WO-A5549	1311	SP-5866X	0802. 3
FM-GPW5313A	1601	WO-A5553	0702. 1	SP-5900X	1201. 1
FM-GPW5315B	1601	WO-A5554	0702. 1	DM-5941	0605
FM-GPW5315A	1601	LO-FC5555	1204. 3	DM-5943	0608
FM-GPW5316B	1601	FM-GPW5560	1601	DM-5944	0608
FM-GPW5316A	1601	FM-GPW5560B	1601	SP-5951X	0806. 5
FM-GPW5317B	1601	FM-GPW5563	1601	SP-5962X	0802. 3
FM-GPW5317A	1601	FM-GPW5564	1601	WO-A5980	0615
FM-GPW5318B	1601	FM-GPW5565	1601	WO-A5981	0613. 1
FM-GPW5318A	1601	FM-GPW5566	1601	WO-A5992	0601. 1
FM-GPW5319B	1601	FM-GPW5567	1601	LO-FC5992	1204. 2
FM-GPW5319A	1601	FM-GPW5568	1601	LO-FC5993	1204. 2
FM-GPW5320B	1601	FM-GPW5569	1601	LO-FC5994	1204. 2
FM-GPW5320A	1601	FM-GPW5570	1601	LO-FC5997	1204. 2
FM-GPW5321B	1601	FM-GPW5571	1601	LO-FC5998	1204. 2
FM-GPW5312A	1601	FM-GPW5572	1601	DM-5999	0608
FM-GPW5330B	1601	WO-A5586	0609. 1	LO-FC6003	1204. 2
FM-GPW5330A	1601	FM-GPW5587B	1602	FM-GPW6004	0100
FM-GPW5333A	1601	FM-GPW5587	1602	FM-GPW6005	0100
FM-GPW5333B	1601	FM-GPW5588A	1602	LO-FC6007	1204. 1
WO-A5335	{1201. 1	FM-GPW5588	1602	AL-IG6009	0605
	{1201. 2	FM-GPW5590	1602	FM-GPW6009	0101
WO-A5337	0615	FM-GPW5590B	1602	LO-FC6009	1204. 1
FM-GPW5337	1501	WO-A5598	0613. 1	FM-GPW6010	0101
FM-GPW5341	1501	FM-GPW5601	1601. 1	LO-FC6010	1204. 1
FM-GPW5345A	1601	FM-GPW5602	1602	LO-FC6011	1204. 1
FM-GPW5345B	1601	FM-GPW5604	1602	CB-6012	0609. 1
WO-A5393	{1201. 1	FM-GPW5604A	1602	LO-FC6014	1204. 1
	{1201. 2	FM-GPW5605	1602	FM-GPW6016	0105. 4
WO-A5415	1501	FM-GPW5606	1602	LO-S-FC6018E	1204. 1
	{0613. 1	FM-GPW5607	1602	LO-S-FC6019	1204. 1
WO-A5449	1204. 3	FM-GPW5607A	1602	FM-GPW6020	0105. 4
	{2208. 1	FM-GPW5608	1601. 1	WO-A6029	1000
	{0306	FM-GPW5609	1602	FM-GPW6029	1501
WO-A5450	{0613. 1	FM-GPW5610	1602	WO-A6030	1006
FM-GPW5452	1501				

ORDNANCE AND MANUFACTURERS' PART NUMBER INDEX—Continued

NUMBER	GROUP	NUMBER	GROUP	NUMBER	GROUP
FM-GPW6030	1501	WO-A613-6	1601	WO-A6278	1006
FM-GPW6031	0105. 4	WO-A613-7	1601	WO-A6279	1006
WO-A6031	1006	WO-A613-8	1601	DM-6282	0605
FM-GPW6038	0100	WO-A614-1	1601	FM-GPW6285	0105. 3
FM-GPW6038A	0100	WO-A6142	0609. 1	FM-GPW6286	0105. 4
FM-GPW6040A	0100	WO-A614-2	1601	FM-GPW6287	0102
FM-GPW6040B	0100	WO-A6143	0609. 1	FM-GPW6288	0105. 4
FM-GPW6043	0100	WO-A614-3	1601	WO-A6288	1006
FM-GPW6044	0100	WO-A614-4	1601	WO-A6289	1006
FM-GPW6050	0101	WO-A614-5	1601	WO-A6290	1006
FM-GPW6051	0101	WO-A614-6	1601	WO-6290	1804
FM-GPW6051B	0101	WO-A6147	0609. 1		2201
FM-GPW6054	0105. 4	WO-A614-7	1601	WO-A6291	1006
FM-GPW6065	0101	WO-A614-8	1601	WO-A6292	1006
FM-GPW6066	0101	WO-A614-9	0503	WO-A6293	1006
WO-A6066	1602	FM-GPW6149E	0104	WO-A6294	1006
FM-GPW6067	0101	FM-GPW6149G	0104	WO-A6295	1006
WO-A6067	1602	FM-GPW6149H	0104	WO-A6298	0601. 1
WO-A6068	1602	FM-GPW6149J	0104	WO-A6300	0601. 1
FM-GPW6069	0100	WO-A6149	0608	WO-A6301	0601. 1
WO-A6069	1602		1601	FM-GPW6303A	0102
FM-GPWS6071	0100	FM-GPW6150A	0104	WO-A6305	1401
WO-A6071	1602	FM-GPW6150C	0104	FM-GPW6306	0105. 4
WO-A6072	1602	FM-GPW6150D	0104	FM-GPW6308	0102
WO-A6073	1602	FM-GPW6150E	0104	FM-GPW6310	0102
WO-A6074	1602	WO-A6152	0608	FM-GPW6312	0102
WO-A6075	1601. 1	WO-A6153	0613. 1	FM-GPWS6312	0102
WO-A6084	1201. 2	WO-A6154	0613. 1	CAR-6-312S	0301
FM-GPW6098	0100	FM-GPW6155A	0104	WO-A6313	0609. 1
FM-GPW6105A	0104	FM-GPW6155G	0104	WO-A6317	0702. 2
FM-GPW6105C	0104	FM-GPW6155H	0104	WO-A6318	0702. 2
FM-GPW6105D	0104	FM-GPW6155J	0104	FM-GPW6319	0102
FM-GPW6105F	0104	WO-A6156	0100	WO-A6319	0702. 2
WO-6108	1202	FM-GPW6156F	0104	WO-A6320	0615
WO-A6109	1202	FM-GPW6156H	0104	FM-GPW6326	0102
FM-GPW6110A	0104	FM-GPW6156J	0104	WO-A6326	1601. 1
FM-GPW6110C	0104	FM-GPW6156K	0104	FM-GPW6331A	0102. 1
FM-GPW6110D	0104	CAR-61-57	0301	FM-GPW6331B	0102. 1
WO-A6110	1204. 2	WO-A6168	1602	FM-GPW6331C	0102. 1
WO-A6111	1204. 2	WO-A6169	1602	FM-GPW6331D	0102. 1
WO-A6113	1204. 2	WO-A6181	0603	FM-GPW6333A	0102. 1
WO-A6116	1204. 2	FM-GPW6200	0104. 1	FM-GPW6333B	0102. 1
WO-A6117	1204. 2	FM-GPW6201	0104. 1	FM-GPW6333C	0102. 1
WO-A6118	0401	DM-6203	0608	FM-GPW6333D	0102. 1
WO-A6119	0401	FM-GPW6211A	0104. 1	WO-A6333	0306
WO-A612-1	1601	FM-GPW6211B	0104. 1	CAR-63-35	0301
WO-A612-2	1601	FM-GPW6211C	0104. 1	FM-GPW6337A	0102. 1
WO-A612-3	1601	FM-GPW6211D	0104. 1	FM-GPW6337B	0102. 1
WO-A612-4	1601	FM-GPW6243	0105. 3	FM-GPW6337C	0102. 1
WO-A612-5	1601	FM-GPW6244	0105. 3	FM-GPW6337D	0102. 1
WO-A612-6	1601	DM-6244	0608	FM-GPW6338A	0102. 1
WO-A6127	0503	FM-GPW6245	0105. 3	FM-GPW6338B	0102. 1
WO-A612-7	1601	DM-6245	0608	FM-GPW6338C	0102. 1
WO-A612-8	1601	FM-GPW6250	0105. 3	FM-GPW6338D	0102. 1
WO-A613-1	1601	FM-GPW6256	0105. 4	FM-GPW6339A	0102. 1
WO-A613-2	1601	FM-GPW6260	0105. 4	FM-GPW6339B	0102. 1
WO-A613-3	1601	FM-GPW6262A	0105. 3	FM-GPW6339C	0102. 1
WO-A613-4	1601	FM-GPW6269	0105. 4	FM-GPW6339D	0102. 1
FM-GPW6135A	0104	WO-A6272	1006	FM-GPW6341A	0102. 1
FM-GPW6135D	0104	WO-A6274	1006	FM-GPW6341B	0102. 1
WO-A613-5	1601	WO-A6275	1006	FM-GPW6341C	0102. 1

ORDNANCE AND MANUFACTURERS' PART NUMBER INDEX—Continued

NUMBER	GROUP	NUMBER	GROUP	NUMBER	GROUP
FM-GPW6341D	0102. 1	FM-GPW6600	0106. 1	WO-A6853	0312
FM-GPW6342B	0102	FM-GPW6604	0106. 1	WO-A6858	1401. 1
FM-GPW6342A	0105. 4	FM-GPW6608	0106. 1	WO-A6861	1602
WO-A6343	1401. 1	FM-GPW6610	0106. 1	WO-A6895	0106. 5
FM-GPW6345	0102	FM-GPW6614	0106. 1	WO-A6897	0306
FM-GPW6353	0102	FM-GPW6615	0106. 6	WO-A6902	1604
WO-A6355	0613. 1	FM-GPW6617	0106. 6	WO-A6903	1604
WO-A6356	0617	WO-A6618	0306	WO-A6911	0304
WO-A6357	0301	FM-GPW6619	0106. 1	WO-A6915	0106. 6
WO-A6361	1006	FM-GPW6625	0106. 1	WO-A6918	0304
WO-A6362	1006	FM-GPW6627	0106. 6	WO-A6919	0106. 5
CAR-63-65	0301	FM-GPW6628	0106. 1	WO-A6922	0106. 5
FM-GPW6369	0102. 1	FM-GPW6630	0106. 1	WO-A6933	0501
WO-A6373	0503	FM-GPW6642	0106. 1	WO-A6941	0501
WO-A6374	0503	FM-GPW6644	0106. 1	WO-A6942	0501
FM-GPW6375	0103	FM-GPW6648	0106. 5	WO-A6945	0501
SP-S638-1	{ 1002	FM-GPW6654	0106. 1	WO-A6946	0501
	{ 1102	FM-GPW6659	0106. 1	WO-A6949	0501
WO-A6382	1006	FM-GPW6663	0106. 1	FM-GPW7000	0700
SP-S638-2	{ 1002	FM-GPW6664	0106. 1	FM-GPW7000B	0700
	{ 1102	FM-GPW6673	0106. 1	FM-GPW7005	0701
WO-A6383	1006	FM-GPW6675	0106. 6	FM-GPW7005A	0701
SP-S638-3	{ 1002	FM-GPW6684	0106. 1	FM-GPW7007	0103
	{ 1102	FM-GPW6700	0102	FM-GPW7015	0702. 1
FM-GPW6384	0103	FM-GPW6701	0102	FM-GPW7017	0702. 1
WO-A6384	1006	WO-A6701	0102	FM-GPW7023	0105. 4
FM-GPW6387	0103	FM-GPW6702	0102	BX-70S25	1201. 2
FM-GPW6390	0103	FM-GPW6710	0106. 6	FM-GPW7050	0702. 1
FM-GPW6392	0103	WO-A6710	0312	FM-GPW7051B	0700
CAR-63-93	0301	FM-GPW6727	0106. 6	FM-GPW7052	0702. 1
WO-A6393	{ 0617	FM-GPW6734	0106. 6	FM-GPW7056	0701
	{ 1503	WO-A6740	{ 0800	FM-GPW7059	0702. 2
WO-A6424	0306		{ 1501	FM-GPW7060	0702. 2
WO-6436	{ 1601. 1	WO-A6746	0102. 1	GM-GPW7061	0702. 2
	{ 1602	WO-A6747	0102. 1	FM-GPW7062	0702. 2
WO-A6439	1102	WO-A6748	0102. 1	FM-GPW7062B	0702. 2
WO-A6442	1000	FM-GPW6756	0106. 5	FM-GPW7063	0702. 2
SP-6452X	0801	FM-GPW6758	0106. 5	FM-GPW7064	0702. 1
CAR-64-62S	0301	FM-GPW6758A	0106. 5	WG-B7070	0702. 1
WO-A6470	1000	FM-GPW6758B	0106. 5	FM-B7070	0702. 1
FM-GPW6500A	0105. 2	FM-GPW6762	0106. 5	FM-GPW7074	0900
FM-GPW6500B	0105. 2	FM-GPW6763A	0106. 6	FM-GP7077	0900
FM-GPW6505	0105. 1	FM-GPW6763B	0106. 6	FM-GPW7080	0702. 2
FM-GPW6507	0105. 1	FM-GPW6763C	0106. 6	FM-GPW7082	0702. 2
FM-GPW6510	0105. 1	FM-GPW6766B	0106. 6	FM-GPW7084	0900
FM-GPW6510B	0105. 1	FM-GPW6766C	0106. 6	FM-GP7092	0900
FM-GPW6511	0105. 1	FM-GPW6769	0106. 5	FM-GP7097	0900
FM-GPW6511B	0105. 1	FM-GPW6770	0106. 6	FM-GPW7100	0702. 2
WO-A6511	1601. 1	FM-GPW6771	0304	FM-GPW7102	0702. 2
FM-GPW6513	0105. 1	WO-A6783	0609. 1	FM-GPW7104	0702. 2
FM-GPW6514	0105. 1	FM-GPW6789	0106. 6	FM-GPW7104A	0702. 2
FM-GPW6519	0105. 1	WO-A6793	0101	FM-GPW7105	0702. 2
FM-GPW6520	0105. 1	WO-A6794	0104	FM-GPW7106	0702. 2
FM-GPW6521	0105. 1	WO-A6796	0104	FM-GPW7107	0702. 2
WO-A6525	0106. 6	WO-A6797	0104	FM-GPW7109	0702. 2
FM-GPW6546	0105. 1	WO-A6798	0102. 1	FM-GPW7111	0702. 3
FM-GPW6549	0105. 2	WO-A6811	0605	FM-GPW7113	0702. 3
FM-GPW6549B	0105. 2	WO-A6813	0605	FM-GPW7115	0702. 3
FM-GPW6552B	0105. 2	WO-A6814	0605	CAR-7-116S	0301
FM-GPW6555A	0105. 1	WO-A6818	0106. 2	FM-GPW7116	0702. 2
SP6563X	1201. 2	WO-A6851	0312	FM-GPW7119	0702. 3

ORDNANCE AND MANUFACTURERS' PART NUMBER INDEX—Continued

NUMBER	GROUP	NUMBER	GROUP	NUMBER	GROUP
FM-GPW7120	0702. 2	FM-GPW7520A	0202	FM-GPW7773	0801
FM-GPW7121	0702. 3	FM-GPW7521	0202	FM-GPW7774	0801
FM-GPW7124	0702. 2	FM-GPW7523	0202	FM-GP7776	0802. 3
FM-GPW7126	0702. 3	FM-GPW7525	0202	FM-GP7777	0802. 3
FM-K7129B	0501	FM-GPW7525A	0202	FM-GP7777A	0802. 3
FM-GPW7129	0702. 3	FM-GPW7530	0202	FM-GPW7781A	0800
FM-GPW7129A	0702. 3	FM-GPW7532	0202	FM-GP7782A	0801
FM-GPW7140	0702. 3	FM-GPW7539	0202	FM-GP7782B	0801
FM-GPW7141	0702. 3	FM-GPW7545	0202	FM-GP7782C	0801
FM-GPW7143	0702. 3	FM-GPW7549	0201	CB-7783	0609. 1
FM-GPW7143A	0702. 3	FM-GPW7550	0201	FM-GP7783	0802. 3
FM-GPW7155	0702. 3	FM-GPW7561	0202	FM-GP7784	0802. 3
WO-A7191	0304	FM-GPW7562	0202	FM-GPW7786	0804
FM-GPW7204	0704	FM-GPW7563	0201	FM-GP7787	0804
FM-GPW7206	0704	FM-GPW7565	0201	WO-7787	1102
FM-GPW7207	0704	FM-GPW7566	0201	FM-GP7788	0804
FM-GPW7208	0704	FM-GPW7567	0201	FM-GP7789	0804
FM-GPW7210	0704	WO-A7568	0102	WO-A7792	0605
FM-GPW7210A	0704	LO-FD7568	1204. 2	FM-GPW7793	0804
FM-GPW7211B	0704	FM-GPW7570	0201	WO-A7795	0602. 1
FM-GP7213	{0704	FM-GPW7572	0201	WO-A7796	{0602. 1
	{0804	FM-GPW7577	0201		{0602. 3
FM-GPW7214	0704	FM-GPW7590	0201	FM-GP7796	0804
FM-GPW7216	0704	FM-GPW7591	0201	WO-A7797	{0602. 1
FM-GPW7217	0704	WO-A7596	0700		{0602. 3
FM-BB7220	0704	FM-GPW7600	0201	WO-A7798	0602. 1
FM-GPW7221	0704	FM-GPW7700	0800	WO-A7799	0602. 1
FM-GPW7223	0704	FM-GPW7700B	0800	FM-GP7799	0804
WO-A7225	0603	FM-GPW7704	0800	WO-A7800	0602. 1
FM-GPW7227	0704	FM-GPW7704B	0800	WO-A7801	0602. 1
FM-BB7228	0704	FM-GPW7705	0801	WO-A7804	0602. 1
FM-GPW7230	0704	FM-GPW7706	0801	AL-EB7806	0603
FM-GPW7231	0704	FM-GPW7707	0801	WO-A7806	0602. 1
WO-A7233	0104. 1	FM-GP7708	0801	AL-EB8707	0603
FM-GPW7233	0804	FM-GP7709	0801	WO-A7807	0602. 1
WO-A7234	0104. 1	FM-GPW7710	0804	WO-A7808	0602. 1
FM-GPW7234	0704	FM-GPW7711	0804	WO-A7809	0602. 1
WO-A7235	0104. 1	FM-GP7712	0804	AL-EB7819S	0603
WO-A7236	0104. 1	FM-GP7722	0802. 1	WO-A7824	0613. 1
WO-A7238	0106. 6	FM-GPW7726	0802. 3	WO-A7825	0613. 1
FM-GPW7240	0704	FM-GP7729	0900	WO-A7826	0615
FM-GPW7241	0704	FM-GP7733	{0802. 3	WO-A7848	0615
FM-GPW7245	0704		{0900	WO-A7850	0309
WO-A7260	0704	FM-GPW7736	0802. 3	FM-GPW8005	0501
WO-A7261	0704	FM-GP7742	0802. 2	FM-GPW8005A	0501
WO-A7280	0106. 6	FM-GP7743	0802. 2	CB-8010	0609. 1
LO-FD7379	1204. 2	FM-GP7744	0802. 2	WO-A8010	0615
SP-7450	0804	FM-GP7746	0802. 3	FO-HA8031	0306
WO-A7498	0100	FM-GP7747	0802. 3	WO-A8087	0617
WO-A7503	0103	FM-GP7754	0806. 5	WO-A8088	0617
FM-GPW7503	0202	FM-GPW7756	0801	FM-GPW8100A	0501
FM-GPW7509	0202	FM-GP7761	0802. 3	WO-A8101	0401
FM-GPW7512	0202	FM-GP7762	0802. 3	FM-GPW8125A	0501
FM-GPW7514	0202	FM-GP7763	0802. 3	WO-A8125	2208. 1
FM-GPW7515	0202	FM-GP7765	0802. 3	WO-A8126	2208. 1
FM-GPW7516	0202	FM-GP7766	0802. 3	WO-A8127	2208. 1
FM-GPW7517	0202	FM-GP7767	0802. 2	WO-A8130	0607
WO-A7517	0312	FM-GPW7768	0801	WO-A8131	0607
WO-A7518	0312	FM-GPW7768B	0801	WO-A8132	0607
FM-GPW7518	0701	FM-GPW7769	0801	FM-GPW8133	0501
FM-GPW7520	0202	FM-GP7771	0802. 3	AL-8X137	0602. 1

ORDNANCE AND MANUFACTURERS' PART NUMBER INDEX—Continued

NUMBER	GROUP	NUMBER	GROUP	NUMBER	GROUP
FM-GPW8155	1804	WO-A8440	0202	WO-A8997	0602. 1
FM-GPW8166	1804	WG-T84-42	0704	SP-8997SF	0900
WO-8180	2208. 1	WG-T84G48	0702. 3	FM-GPW9001	0306
WO-A8184	0607	WG-T84J50-A	0802. 1	FM-GPW9002A	0306
WO-A8186	0607	WG-T84J54	0702. 1	FM-GPW9002B	0306
WO-A8188	0607	WO-A8463	1601	FM-GPW9002C	0306
WO-A8190	0607	WO-A8477	1204. 1	FM-GPW9030	0306
FM-GPW8222	1804	TRI-848-1	2202. 2	FM-GPW9030A	0306
FM-GPW8240	0102	WG-T8485A	0702. 3	FM-GPW9030B	0306
WO-A8242	2208. 1	TRI-848-5	2202. 2	FM-GPW9034A	0306
WO-A8249	1401	WO-T84J86A	0804	FM-GPW9035B	0306
FM-GPW8250	0503	WO-A8498	0602. 1	WO-A9042	0602. 1
WO-A8250	1401	FM-GPW8501	0504	WO-A9043	0602. 1
WO-A8252	1401	LO-FC8502	1204. 3	WO-A9044	0602. 1
WO-A8253	1204. 1	AL-EB8503	0603	WO-A9046	0602. 1
FM-GPW8255	0503	FM-GPW8505	0504	WO-A9047	0602. 1
WO-A8255	1601. 1	AL-EB8505	0603	WO-A9048	0602. 1
WO-A8256	1601. 1	AL-EB8506	0603	WO-A9049	0602. 1
FM-GPW8260	0503	AL-EB8507	0603	WO-A9050	0602. 1
FM-IGT8260	0503	FM-GPW8509A	0505	FM-GPW9051	0306
FM-GPW8269	0503	FM-GPWS8509	0505	FM-GPW9051B	0306
FM-GPW8284	0503	FM-GPW8512	0504	WO-A9051	0602. 1
FM-GPW8285	0503	CB-8523	0609. 1	WO-A9052	0602. 1
FM-GPW8286	0503	FM-GPW8524	0504	WO-A9053	0602. 1
WO-A8289	1601. 1	FM-GPW8524A	0504	WO-A9054	0602. 1
FM-GPW8290	0503	FM-GPW8543	0504		0602. 3
WO-A8291	1601. 1	FM-GPW8548	0504	FM-GPW9057	0306
FM-GPW8307	2101	LO-FC8553	1204. 3	FM-GPW9062	0306
WO-A8322	0602. 1	FM-GPW8557A	0504	FM-GPW9063	0306
WO-A8323	0302	FM-GPW8557	0504	FM-GPW9065	0306
FM-GPW8348	2101	WO-A8558	0101	FM-GPW9065B	0306
FM-GPW8349	2101	FM-GPW8572B	0504	FM-GPW9066	0306
WG-AT84F10A	0702. 3	FM-GPW8575	0503	FM-GPW9069	0306
WG-T84F11A	0702. 2	FM-GPW8576	0504	FM-GPW9071	0306
WG-T84F12A	0702. 2	FM-GPW8578	0503	FM-GPW9074	0306
WG-C84B12A	0704	WO-A8578	1601. 1	FM-GPW9075	0306
WG-T84F13	0702. 2	FM-GPW8600	0505	WO-A9075	0604
WG-T84F14	0702. 2	FM-GPWS8620A	0505	WO-A9077	0801
WG-AT84J15A	0702. 1	AL-EB8705	0603	FM-GPW9078	0306
WG-T84F15	0702. 2	AL-EB8734	0603	FM-GPW9079	0306
WG-T84J16A	0702. 1	LO-FC8778	1204. 2	WO-A9082	0401. 1
WG-T8417	0762. 1	LO-FC8779	1204. 2	FM-GPW9082A	1805
WG-T84C19	0702. 2	LO-FC8782	1204. 2	FM-GPW9083A	1805
WG-T84J20A	0704	WO-A8834	0312	WO-A9084	0401. 1
WG-T84J21	0704	WO-A8835	0802. 3	FM-GPW9084	1805
WG-T84-22	0704	WO-A8836	1006	FM-GPW9085A	1805
WG-T84C23A	0704	WO-A8837	1006	WO-A9086	0401. 1
WG-T84C24A	0704	WO-A8838	1401. 1	WO-A9090A	0401. 1
WG-T84G25	0702. 2	WO-A8841	0802. 3	FM-GPW9095	0306
WG-T84B25	0704	WO-A8842	0601. 1	FM-GPW9140	0309
WG-AT84J25	0704	WO-A8847	1201. 2	FM-GPW9140A	0309
WG-T84G26	0702. 2	WO-A8848	1201. 2	WO-A9142A	0401. 1
WG-T84J28	0702. 3	WO-A8858	1501	WO-A9144	0613. 1
WG-T84-29	0702. 3	WO-A8859	0800	FM-GPW9149	0309
WG-T84J29	0702. 3	WO-A8860	1201. 2	WO-A9150B	0401. 1
WG-T84B30A	0702. 3	WO-A8883	0615	FM-GPW9155	0309
WG-T84-30	0704	WO-A8884	0615	FM-GPW9155A	0309
WG-T84J31	0702. 3	AL-8X888	0602. 3	FM-GPW9155B	0309
WG-T84-31	0704	WO-A8898	1202	FM-GPW9160	0309
WG-T84B32	0704	WO-A8977	0702. 3	FM-GPW9162	0309
WG-T84G35	0702. 3	SP-8996SF	0900	FM-GPW9182	0309

ORDNANCE AND MANUFACTURERS' PART NUMBER INDEX—Continued

NUMBER	GROUP	NUMBER	GROUP	NUMBER	GROUP
FM-GPW9183	0309	FM-GPW9388	0302	FM-GPW9579	0301
FM-GPW9184	0309	FM-GPW9396B	0302	FM-GPW9581	0301
FM-GPW9186	0309	FM-GPW9398	0302	FM-GPW9583	0301
FM-GPW9211	0306	FM-GPW9398B	0302	FM-GPW9585	0301
CB-9212	0609. 1	FM-GPW9399	0302	FM-GPW9586	0301
WO-A9220	0613. 1	FM-GPW9410B	0108	FM-GPW9587	0301
FM-GPW9237	0306	FM-GPW9417	0302	FM-GPW9588	0301
FM-GPW9237B	0306	FM-GPW9424	0108	FM-GPW9594	0301
FM-GPW9267	0306	FM-GPW9424B	0108	FM-GPW9595	0301
FM-GPW9267A	0306	FM-GPW9426	0108	FM-GPW9598	0301
FM-GPW9269	0306	FM-GPW9428	0108	FM-GPW9599	0301
FM-GPW9273	0607	FM-GPW9435	0108	FM-GPW9608	0301
FM-GPW9275	0306	FM-GPW9443	0108	FM-GPW9609	0304
FM-GPW9275A	0306	FM-GPW9445	0301	FM-GPW9610	0301
FM-GPW9276	0306	FM-GPW9447	0301	FM-GPW9612	0304
CB-9276	0609. 1	FM-GPW9448	0108	FM-GPW9614	0301
FM-GPW9280	0607	FM-GPW9450	0401	FM-GPW9615	0301
CB-9281	0609. 1	FM-GPW9456	0108	FM-GPW9617	0304
FM-GPW9282	0306	FM-GPW9458	0108	FM-GPW9618	0304
FM-GPW9288	0306	FM-GPW9460	0108	FM-GPW9621	0304
AL-9288A	0607	FM-GPW9462	0108	FM-GPW9623	3004
FM-GPW9289	0306	FM-GPW9463	0108	FM-GPW9624	0301
FM-GPW9295	0306	FM-GPW9465	0108	FM-GPW9625	0304
	0613. 1	FM-GPW9467	0108	FM-GPW9627	0304
WO-A9307	0604. 1	FM-GPW9467A	0108	FM-GPW9628	0304
WO-A9308	0604. 1	FM-GPW9468	0302	FM-GPW9629	0304
WO-A9309	0604. 1	FM-GPW9469	0302	FM-GPW9631	0301
WO-A9310	0604. 1	FM-GPW9484	0108	FM-GPW9632	0304
WO-A9311	0604. 1	WO-A9492	0601. 1	FM-GPW9633	0304
WO-A9312	0604. 1	FM-GPW9510	0301	FM-GPW9636	0301
WO-A9313	0604. 1	FM-GPW9515	0301	FM-GPW9637B	0304
WO-A9314	0604. 1	FM-GPW9516	0301	FM-GPW9637	0304
FM-GPW9316	0106. 6	FM-GPW9518	0301	FM-GPW9637A	0304
WO-A9316	0604. 1	FM-GPW9519	0301	FM-GPW9647	0304
WO-A9317	0604. 1	FM-GPW9520	0301	FM-GPW9650	0301
WO-A9318	0604. 1	FM-GPW9522	0301	FM-GPW9652	0304
FM-GPW9319A	0607	FM-GPW9523	0301	FM-GPW9652B	0304
FM-GPW9323	0106. 6	FM-GPW9526	0301	FM-GPW9653	0304
WO-A9330	0801	FM-GPW9527	0301	CI-9654	0608
WO-A9331	0801	FM-GPW9528	0301	FM-GPW9656	0304
WO-A9332	1201. 2	FM-GPW9529	0301	FM-GPW9657	0304
WO-A9333	1201. 2	FM-GPW9531	0301	FM-GPW9658	0304
WO-A9334	0801	FM-GPW9533	0301	FM-GPW9686	0304
WO-A9336	0801	FM-GPW9541	0301	FM-GPW9686A	0304
WO-A9337	0801	FM-GPW9543	0301	FM-GPW9686B	0304
WO-A9338	1201. 2	FM-GPW9544	0301	FM-GPW9696	0301
WO-A9339	1201. 2	FM-GPW9546	0301	FM-GPW9700	0312
FM-GPW9350	0302	FM-GPW9549	0301	FM-GPW9711	0312
FM-GPW9350B	0302	FM-GPW9550	0301	SP-97Q13	0804
FM-GPW9354	0302	FM-GPW9554	0301	FM-GPW9716	0312
FM-GPW9355	0302	FM-GPW9558	0301	FM-GPW9719	0312
FM-GPW9364	0302	FM-GPW9562	0301	FM-GPW9726	0312
FM-GPW9365	0302	FM-GPW9566	0301	FM-GPW9727	0312
FM-GPW9369	0306	SPW-B9567	0611	FM-GPW9728	0312
FM-GPW9373	0302	FM-GPW9567	0301	FM-GPW9730	0312
FM-GPW9377	0302	FM-GPW9569	0301	FM-GPW9731B	0312
FM-GPW9378	0302	FM-GPW9570	0301	FM-GPW9735A	0312
FM-GPW9380	0302	FM-GPW9574	0301	FM-GPW9735B	0312
FM-INC9381	0302	FM-GPW9575	0301	FM-GPW9737	0312
FM-GPW9386	0302	FM-GPW9576	0301	FM-GPW9739	0312
FM-GPW9387	0302	FM-GPW9578	0301	FM-GPW9742	0312

ORDNANCE AND MANUFACTURERS' PART NUMBER INDEX—Continued

NUMBER	GROUP	NUMBER	GROUP	NUMBER	GROUP
FM-GPW9745	0312	FM-GPW10153A	0601. 1	FM-GPW10523	{0602. 1
FM-GPW9751	0312	FM-GPW10155	0601. 1	FM-GPW10528	0602. 3
FM-GPW9752	0312	FM-GPW10162	0601. 1	FM-GPW10532	{0602. 1
FM-GPW9775	0312	FM-GPW10166	0601. 1	FM-GPW10536	0602. 3
FM-GPW9775B	0312	FM-GPW10175	0601. 1	FM-GPA10536	0602. 3
FM-GPW9778	0312	FM-GPW10176	0601. 1	FM-GPW10540	{0602. 1
FM-GPW9797	0312	FM-GPW10177	0601. 1	FM-GPW10540	0602. 3
FM-GPW9799	0312	FM-GPW10178A	0601. 1	SPW-B10540	0611
AL-9799A	0607	FM-GPW10191	0601. 1	FM-GPW10544	{0602. 1
FM-GPW9905	0301	FM-GPW10192	0601. 1	FM-GPW10551	0602. 3
FM-GPW9906	0301	WO-A10199	0401	FM-GPW10551	0602. 1
FM-GPW9907	0301	FM-GPW10202A	0601. 1	FM-GPA10551	0602. 3
FM-GPW9914	0301	FM-GPW10202C	0601. 1	FM-GPW10554	{0602. 1
FM-GPW9922	0301	FM-GPW10208B	0601. 1	FM-GPW10564	0602. 1
FM-GPW9926	0301	FM-GPW10208A	0601. 1	FM-GPW10570	0602. 3
FM-GPW9928	0301	FM-GPW10211A	0601. 1	FM-GPA10570	0602. 3
FM-GPW9930	0301	FM-GPW10211B	0601. 1	FM-GPW10577	{0602. 1
FM-GPW9935	0301	FM-GPW10212	0601. 1	FM-GPW10594	0602. 1
FM-GPW9940	0301	FM-GPW10214	0601. 1	FM-GPA10594A	0602. 3
AL-9979A	0306	FM-GPW10216	0601. 1	FM-GPA10594B	0602. 3
FM-GPW10000	0601. 1	FM-GPW10218	0601. 1	FM-GPW10594	0602. 3
FM-GPW10000A	0601. 1	WO-A10231	{1001	FM-GPW10623	0602. 1
FM-GPW10005	0601. 1	WO-A10269	1100	FM-GPW10636	{0502. 1
FM-GPW10005B	0601. 1	WO-A10276	0202	MAE-10639B	0602. 3
AL-10014A	0607	WO-A10277	0604. 1	MAE-10640B	1604
FM-GPW10035	0601. 1	WO-A10278	0604. 1	BX-1067S3	1202
FM-GPW10041	0601. 1	WO-A10279	0604. 1	BX-1067S4	1202
WO-A10047	0604. 1	WO-A10280	0604. 1	FM-GPW10850	0607
WO-A10048	0601. 1	WO-A10291	0601. 1	FM-GPW10850B	0607
FM-GPW10050	0601. 1	WO-A10292	0601. 1	MAE-10855	1604
WO-A10052	1201. 2	WO-A10293	0601. 1	MAE-10875	1604
FM-GPW10055	0601. 1	WO-A10295	0601. 1	MAE-10876A	1604
FM-GPW10057	0601. 1	AL-10310A	0607	FM-GPW10883	0607
FM-GPW10061	0601. 1	AL-10311A	0607	MAE-10906A	1604
AL-10063	0607	AL-10312	0607	MAE-10950	1604
FM-GPW10069	0601. 1	AL-10313A	0607	MAE-10966	1604
AL-10075A	0607	WO-A10320	1201. 2	FM-GPW11001	0603
FM-GPW10082	0601. 1	WO-A10324	1201. 2	FM-GPW11001A	0603
FM-GPW10084	0603	WO-A10329	1201. 2	AL-IAD1100LB-1	0604. 1
FM-GPW10086	0601. 1	WO-A10330	1201. 2	FM-GPW11002	0603
FM-GPW10087	0601. 1	WO-A10331	1201. 2	FM-GPW11005	0603
FM-GPW10098	0601. 1	WO-A10332	1201. 2	FM-GPW11049	0603
FM-GPW10100	0601. 1	WO-A10333	1201. 2	FM-GPW11053	0603
FM-GPW10104	0601. 1	WO-A10334	1201. 2	FM-GPW11055	0603
FM-GPW10105	0601. 1	WO-A10335	1201. 2	FM-GPW11056	0603
FM-GPW10112	0601. 1	WO-A10336	1201. 2	FM-B11059	0603
FM-GPW10116	0601. 1	WO-A10337	1201. 2	FM-GPW11061	0603
FM-GPW10118	0601. 1	WO-A10338	1201. 2	FM-GPW11077	0603
FM-GPW10119B	0601. 1	CB-10436	0609. 1	FM-GPW11082	0603
FM-GPW10119	0601. 1	FM-GPW10455	0602. 1	FM-GPW11083	0603
FM-GPW10120	0601. 1	FM-GPA10455	0602. 3	FM-GPW11085	0603
FM-GPW10121	0601. 1	CB-10461	0609. 1	FM-GPW11089	0603
FM-GPW10122	0601. 1	CB-10462	0609. 1	FM-GPW11090	0603
FM-GPW10128	0601. 1	FM-GPW10502	0602. 3	FM-GPW11094	0603
FM-GPW10129B	0601. 1	FM-GPA10505	0602. 3	FM-GPW11095	0603
FM-GPW10130	0601. 1	FM-GPW10505	0602. 1	FM-GPW11102	0603
FM-GPW10138	0601. 1	FM-GPW10505C	0602. 1		
FM-GPW10139	0601. 1	CAR-105-13	0301		
FM-GPW10142	0601. 1	FM-GPW10519A	0602. 3		
FM-GPW10143	0601. 1	FM-GPW10519B	0602. 3		
FM-GPW10147	0601. 1				

ORDNANCE AND MANUFACTURERS' PART NUMBER INDEX—Continued

NUMBER	GROUP	NUMBER	GROUP	NUMBER	GROUP
FM-GPW11103	0603	WO-A11868	0608	FM-GPW12178	0604. 1
CAR-11B105	0301	WO-A11869	0608	FM-GPW12182	0604. 1
FM-GPW11107	0603	WO-A11871	0608	FM-GPW12188B	0604. 1
CAR-11B108	0301	WO-A11940	1808	FM-GPW12188	0604. 1
FM-GPW11120	0603	WO-A11942	1808	FM-GPW12191	0604. 1
WO-A11121	0501	WO-A11944	1808	AL-12X193	0601. 1
BB-11123	0201	WO-A11945	1808	FM-GPW12193	0604. 1
CAR-11B125S	0301	WO-A11946	1808	FM-GPW12195	0604. 1
CAR-11B127S	0301	FM-GPA12000	0605	FM-GPW12200	0604. 1
CAR-11B129S	0301	FM-GPW12000	0605	FM-GPW12217	0604. 1
FM-GPW11130	0603	FM-GPW12000B	0605	FM-GPW12218	0604. 1
FM-GPW11131	0603	WO-A12003	1805	WO-12233	1800
FM-GPW11134	0603	FM-GPW12006	0605	WO-A12237	1800
FM-GPW11140	0603	FM-GPW12010	0604. 1	CAR-122-47S	0301
FM-GPW11155	0603	FM-GPW12010B	0604. 1	FM-GPW12250E	0608
CAR-11B164	0301	WO-A12010	1804	FM-GPW12250B	0608
WO-A11176	0501	FM-GPW12011	0604. 1	FM-GPW12250A	0608
CAR-11-180S	0301	WO-A12011	1804	FM-GPW12250C	0608
CAR-11-186S	0301	FM-GPW12012	0604. 1	FM-GPW12250D	0608
CB-11200	0609. 1	WO-A12017	1805	CAR-12-255	0301
WO-A11319	1808	WO-A12023	1804	CAR-122-64S	0301
FM-GPW11350	0603	WO-A12024	1804	FM-GPW12267	0604. 1
FM-GPW11354	0603	WO-A12025	1804	FM-GPW12283	0605
FM-B11357A	0603	FM-GPW12030	0605	FM-GPW12284	0605
FM-B11371	0603	WO-A12054	1805	FM-GPW12286	0605
FM-GPW11375	0603	WO-A12055	1805	FM-GPW12287	0605
FM-GPW11377	0603	WO-A12056	0608	FM-GPW12298B	0605
FM-GPW11378	0603	FM-GPW12064	0605	FM-GPW12300	0604. 1
FM-B11379	0603	FM-GPW12082	0604. 1	CAR-12323	0301
FM-B11381	0603	FM-GPW12083	0604. 1	WO-A12400	1806
FM-GPW11382	0603	FM-GPW12084	0604. 1	FM-B12410	0106. 6
FM-GPW11394	0603	FM-GPW12084B	0604. 1	MAE-11488	1604
BX-1141S1	1202	FM-GPW12091A	0605	MAE-12449	1604
BX-1141S2	1202	FM-GPW12094	0604. 1	MAE-12463	1604
CAR-114-21S	0301	FM-GPW12095	0604. 1	MAE-12464	1604
WO-A11432	2202. 1	FM-GPW12100	0604. 1	MAE-12468	1604
WO-A11433	2202. 1	FM-GPW12100B	0604. 1	MAE-12469	1604
FM-GPW11450	0603	WO-A12105	1804	MAE-12507	1604
MAE-11465	1604	FM-GPW12106	0604. 1	FM-01-T2616	1201. 1
MAE-11466	1604	FM-GPW12106B	0604. 1	MAE-12620	1604
FM-GPW11474	0312	FM-GPW12120	0604. 1	MAE-12621	1604
FM-GPW11495	0312	FM-GPW12133	0604. 1	MAE-12622	1604
CB-11495	0609. 1	FM-GPW12139B	0604. 1	MAE-12623	1604
CB-11500	0609. 1	FM-GPW12139	0604. 1	MAE-12626	1604
CB-11503	0609. 1	FM-GPW12144	0604. 1	MAE-12627	1604
FM-GPW11514A	1805	FM-GPW12151	0604. 1	MAE-12628	1604
CAR-115-59	0301	FM-GPW12151B	0604. 1	MAE-12629	1604
WO-A11581	1808	FM-GPW12155	0604. 1	MAE-12631	1604
WO-A11584	1808	CAR-121-56	0301	FM-01T2634	1201. 1
WO-A11701	1504	FM-GPW12157	0604. 1	FM-01T2640	1201. 1
WO-A11729	1806	FM-GPW12163	0604. 1	FM-01T2642	1201. 1
WO-A11730	1806	FM-GPW12165	0604. 1	WO-A12721	1808
WO-A11731	1806	FM-GPW12166	0604. 1	WO-A12751	2202. 2
WO-A11732	1806	CAR-121-73	0301	WO-A12755	2202. 2
WO-A11757	2210	FM-GPW12174	0604. 1	WO-A12756	1804
CAR-117-58	0301	FM-GPW12175	0604. 1	WO-A12758	1804
WO-A11766	0615	FM-GPW12175B	0604. 1	WO-A12759	1804
WO-A11768	0609. 1	FM-GPW12176	0604. 1	WO-A12760	1804
WO-A11770	0609. 1	FM-GPW12176B	0604. 1	WO-A12761	1804
WO-A11866	0608	FM-GPW12177	0604. 1	FM-01T2805	1201. 1
WO-A11867	0608	FM-GPW12178B	0604. 1	TRI-128-16ZE	2202. 2

ORDNANCE AND MANUFACTURERS' PART NUMBER INDEX—Continued

NUMBER	GROUP	NUMBER	GROUP	NUMBER	GROUP
CAR-129-15	0301	FM-GPWS14407	0613. 1	WO-A15728	1601
FM-GPW13005A	0609. 1	FM-GPW14407A	0613. 1	WO-A15801	1204. 3
FM-GPW13006A	0609. 1	FM-GPW14407C	0613. 1	WO-A15802	1204. 3
FM-GPW13012	0609. 1	FM-GPW14407B	0613. 1	WO-A15803	1204. 3
FM-GPW13015	0609. 1	FM-GPW14409	0613. 1	WO-A15804	0608
FM-GPW13020	0609. 1	FM-GPW14416	0613. 1	SP-15926	1002
FM-GPW13022	0609. 1	FM-GPW14425	0613. 1	FM-GPW16005	1701
FM-GPW13032	0609. 1	FM-GPW14425B	0613. 1	FM-GPW16006	1701
FM-GPW13043	0609. 1	FM-GPW14431	0603	SP-16067	1401
FM-GPW13070	0609. 1	FM-GPW14432	0613. 1	SP-16075	1002
FM-GPW13071	0609. 1	FM-GPW14436	0609. 1	FM-GPW16082	1701
FM-GPW13075	0609. 1	FM-GPW14446	0613. 1	FM-GPW16083	1701
FM-GPW13076	0609. 1	FM-GPWS14447	0612	FM-GPW16094	1701
RG-T13086	1401. 1	FM-GPW14448A	0608	FM-GPW16095	1701
FM-GPW13150	0609. 1	FM-GPW14448C	0608	FM-GPW16105	1701
FM-GPW13150C	0609. 1	FM-GPW14448D	0608	FM-GPW16128	1701
FM-GPW13170	0609. 1	FM-GPA14450C	0612	FM-GPW16132	1701
FM-GPW13174	0609. 1	FM-GPA14451C	0612	FM-GPW16133	1701
FM-GPW13175C	0609. 1	FM-GPW14456	0605	FM-GPW16159	1701
FM-GPW13176	2101	FM-GPW14458	0613. 1	SP-16383	1002
FM-GPW13180	0609. 1	FM-GPW14459	0613. 1	SP-16385	1102
FM-GPW13181	0613. 1	FM-B14463	0605	SP-16409	1001
FM-GPW13200	0609. 1	FM-GPW14465	0613. 1	SP-16412X	1002
FM-GPW13201	0609. 1	FM-B14466	0605	FM-GPW16610	1703
FM-GPW13209	0609. 1	FM-GPW14471B	0602. 3	FM-GPW16684	1703
FM-GPW13209B	0609. 1	FM-GPW14471D	0603	FM-GPW16802	1703
FM-GPW13217	0609. 1	FM-GPW14487B	0613. 1	FM-GTB16847	1703
FM-GPW13408B	0609. 1	FM-GPW14487A	0613. 1	FM-GTB16849A	1703
FM-GPW13410	0609. 1	FM-01Y4529	0900	SP-16866	1002
FM-GPW13434A	0106. 2	FM-GPW14560	0613. 1	FM-GPW16892	1703
	0613. 1	FM-GPW14561	0613. 1	SP-16909X	1002
	2202. 2	FM-GPW14566	0613. 1	SP-16968X	1102
	2208. 1	FM-GPW14585	0306	SP-16976	1101
FM-GPW13437A	0613. 1	CAR-146-95S	0301	SP-16979	1001
SP-13439	1401	TP-14SV89A7	1401	SP-16983	1004
SP-13449	1002	TP-14SV90A7	1401	SP-16991	1004
	1102	CAR-150A10	0301	SP-17003	1004
FM-GPW13532	0608	CAR-150-97	0301	SP-17015	1311
SP-13575	1002	CAR-150-98	0301	SP-17016	1311
	1102	SP-15099	1002	SP-17017	1311
FM-GPW13710	0607	WO-A15137	1201. 2	SP-17019	1004
FM-GTB13739	0608	WO-A15149	1201. 2	SP-17041	1004
FM-GPW13802	0611	WO-A15150	1201. 2	SP-17046S	1401
FM-GPW13831	0611	WO-A15255	0602. 1	SP-17047X	1401
FM-GPW13836	0611	WO-A15283	0104	SP-17048X	1004
FM-GPW14171	0611	WO-A15304	0609. 1	FM-GPW17055	1804
CAR-14-246S	0301	SP-15367	1002	SP-17071	1312
FM-GPW14300	0613. 1		1102	FM-01T7078A	0900
FM-GPWS14300B	0613. 1	WO-A15427	0702. 2	FM-GPW17079	1804
FM-GPWS14301	0612	WO-A15428	0702. 2	FM-01Y7083	0900
FM-GPW14301	0612	WO-A15485	0601. 1	FM-C1Y7096	0900
FM-GPW14303	0615	WO-A15498	0401. 1		
FM-GPW14305D	0613. 1	WO-A15507	0306		
FM-GPW14305	0613. 1	WO-A15596	0306		
FM-GPW14321	0605	WO-A15598	0306		
FM-GPW14401D	0613. 1				
FM-GPW14401F	0613. 1				
FM-GPW14402A	0613. 1				
FM-GPW14402	0613. 1				
FM-GPW14402B	0613. 1				
FM-GPW14406	0613. 1				

ORDNANCE AND MANUFACTURERS' PART NUMBER INDEX—Continued

NUMBER	GROUP	NUMBER	GROUP	NUMBER	GROUP
SP-17121X	1006	FM-GP17531	2202. 1	FM-GPW18840	0615
SP-17133X	1004	FM-GP17535	2202. 1	FM-GPW18846	{0613. 1
SP-17135X	1004	FM-GPW17536	2202. 2		{0615
WO-A17143	0603	SW-17641	2208. 1	FM-GPW18849	0615
SP-17146	1102	FM-GPW17750	2101	FM-GPW18850	0615
SP-17153	1006	FM-GPW17751	2101	FM-GPW18852	0615
SP-17202X	1004	FM-17752	1501	FM-GPW18853	0615
SP-17205	1401	FM-GPW17753	1501	FM-GPW18854	0615
SP-17210	1401	FM-17754	1501	FM-GPW18857	0615
SP-17211	1401	FM-GPW17755	1501	FM-GPW18858	0615
SP-17213	1401	FM-GPW17759	1501	FM-GPW18859	0615
SP-17214	1401	FM-GPW17775	2101	FM-GPW18871	0615
SP-17215	1401	AL-IC17980D	0605	FM-GPW18872	0615
SP-17216	1006	FM-GPW18040	1501	FM-GPW18873	0615
SP-17218	1006	FM-GPW18041	1501	FM-GPW18874	0615
SP-17221	1004	FM-GPW18045	1604	FM-GPW18876B	0615
SP-17222	1004	FM-GPW18060	1604	FM-GPW18876	0615
SP-17224	1006	FM-GPW18060A	1604	FM-GPW18935B	0615
SP-17226X	1100	FM-GPW18075	1501	FM-GPW18935A	0615
SP-17229	1006	FM-GPW18080	1604	FM-GPW18936A	0615
SP-17230	1006	SP-18-12-1	0804	FM-GPW18937	0615
SP-17231	1006	SP-18-15-9	0801	FM-GPW18937B	0615
SP-17233	1006	SP-18-16-3	0801	FM-GPW18938B	0615
WO-A17253	1201. 2	SP-18-19-8	0801	FM-GPW18960	0615
WO-A17254	1201. 2	FM-GPW18205B	0304	RG-020122	1401 1
FM-GPW17255	2208. 1	SP-18-24-1	0802. 3	SP-2051-1	1100
FM-GPW17255A	2208. 1	SP-18-24-4	1201. 2	SP-2058-1	1000
FM-GPW17260	2208. 1	FM-GPW18288	0102	SP-2058-2	1000
FM-GPW17260A	2208. 1	FM-GPW18289	0103	SP-2058-3	1000
FM-GPW17261A	2208. 1	CAR-183-19	0301	RG-021116	1401 1
FM-GPW17262	2208. 1	FM-GPW18330A	0104. 1	SP-K2-14-69	0900
FM-GPW17271	0802. 5	FM-GPW18330B	0104. 1	AL-21608	0607
FM-GP17277	0802. 5	FM-GPW18330C	0104. 1	SP-K2-16-53	0900
	{0602. 1	FM-GPW18330D	0104. 1	FM-GPW2206A2	1204. 2
WO-A17282	{0602. 3	SPW-A18345	0611	SP-K2-2-329	0900
	{0603	FM-GPW18347	0102. 1	SP-22-72-5	0804
FM-GP17285	0802. 5	FM-GPW18348	0102. 1	SP-K2-3-198X	0900
SP-17301X	1004	FM-GPW18349	0102. 1	SP-K2-4-108X	0900
SP-17302X	1004	FM-GPW18350	0102. 1	FM-24325S	0201
SP-17307	1401	FM-GPW18354	0604. 1	KHW-24566	1312
SP-17308X	1401	FM-GPW18664A	0106. 2	KHW-24568	1311
SP-17309X	1401	FM-GPW18660	0106. 2	KHW-24569	1311
SP-17310X	1001	SP-18-66-1	0804	KHW-24575	{1311
WO-A17317	0304	FM-GPW18662A	0106. 2		{1504
WO-A17318	0304	FM-GPW18662B	0106. 2	KHW-24576	1311
WO-A17333	0608	FM-GPW18663	0106. 2	KHW-24659	1312
FM-GP17333	0802. 5	FM-GPW18666	0106. 6	RG-025060	1401 1
FM-GPW17333	0802. 5	FM-GPW18667	0106. 6	SP-K2-5-198X	0900
	{0601. 1	SP-18-66-7	0804	KHW-25646	1312
WO-A17337	{0613. 1	SP-18-67-2	0804	KHW-25647	1312
WO-A17344	2210	FM-GPW18675	0106. 2	KHW-25692	1311
SP-17347	1401	SP-18-675	0804	KHW-25693	1311
WO-17356X	1006	FM-GPW18675A	0106. 2	KHW-25695	1311
WO-17357	1006	FM-GPW18685	0106. 2	KHW-25696	2210
WO-17358	1006	FM-GPW18685A	0106. 2	PU-25755	0106. 2
WO-17359	1006	FM-GPW18687	0106. 2	PU-25756	0106. 2
SP-17377	1102	FM-GPW18687A	0106. 2	PU-25757	0106. 2
FM-GP17500	2202. 1	FM-GPW18688	0106. 2	KHW-25779	1311
FM-GPW17500	2202. 1	FM-GPW18688A	0106. 2	PU-25791	0106. 2
FM-GPW17526	2202. 1	FM-GPW18691A	0106. 2	PU-25795	0106. 2
FM-GP17528	2202. 1	FM-GPW18825	0615	PU-25802	0106. 2

ORDNANCE AND MANUFACTURERS' PART NUMBER INDEX—Continued

NUMBER	GROUP	NUMBER	GROUP	NUMBER	GROUP
KHW-25917	1311	BX-47665	1201. 2	CAR-61-171	0301
SP-K2-6-181	0900	BX-47667	1201. 2	CAR-61-190	0301
PU-26637	0106. 2	BX-47668	1201. 2	CAR-61-207	0301
SP-K2-68-23	0900	BX-47669	1201. 2	CAR-61-272	0301
RG-026988	1401. 1	BX-47670	1201. 2	CAR-62-134	0301
PU-27078	0106. 2	BX-47674	1201. 2	CAR-62-135S	0301
SP-K2-76-17	0900	BX-47675	1201. 2	RG-063011	1401. 1
RG-028093	1401. 1	BX-47676	1201. 2	RG-063012	1401. 1
PU-28549	0106. 2	BX-47677	1201. 2	FM-63848S	2202. 1
RG-029046	0611	BX-47678	1201. 2	RG-063991	0611
RG-029049	0611	RG-051033	0611	RG-063996	1401. 1
SP-K2-94-29	0900	RG-051035	0611	FM-64647S	1201. 1
AL-IGP3028F3	0604. 1	DM-51104	{0605	WO-71633	{1701
RG-032087	0611		{0608		{1806
RG-033046	1401. 1	AL-5X1376	0603	D72450	1201. 2
RG-033047	1401. 1	WO-51561	1806	FM-73869S	1201. 2
RG-033048	1401. 1	WO-51823	2101	FM-73880S	0202
FM-33249	1804	WO-51875	0105. 1	CAR-75-547	0301
FM-33979S	1201. 2	WO-52220	1808	RG-7698-4 ⁵ / ₈	1401. 1
SP-SKA34172	1000	WO-52236	1808	D78296	1808
FM-34753S	0617	DM-52692	0613. 1	WO-A78932	0613. 1
FM-34886S	1806	WO-52768	{0612	TRI-79513ZE	2202. 2
FM-35526S	1004		{0613. 1	TRI-80540	2202. 1
FM-GPW3600A3	1401. 1	WO-52835	1204. 1	TRI-80545ZE	2202. 2
NP-38371	1006	WO-52839	1204. 3	TRI-80994ZE	2202. 2
NP-38372	1006	WO-52840	1204. 3	8-E-1000	0106. 2
NP-38373	1006	WO-52845	1804	AL-8X1055	0602. 1
NP-38487	1006	WO-52857	1804	WG-T84-115	0704
NP-38488	1006	WO-52863	1804	WG-T84H137	0702
NP-38489	1006	WO-52893	1805	WG-T84D145C	0700
NP-38491	1006	WO-52968	1806	WG-T84A148	0704
NP-38492	1006	WO-52990	1806	WG-T84J167	0702. 3
SP-K3-86-89	0900	WO-52993	0609. 1	WO-A8463-1	1601
BX-39953	1202	WO-53025	{1804	WO-A8463-2	1601
BX-39956	1202		{2101	WO-A8463-3	1601
KS-40333	2208. 1	WO-53026	1805	WO-A8463-4	1601
KS-40350	2208. 1	WO-53027	0501	WO-A8463-5	1601
KS-40355	2208. 1	WO-53037	1808	WO-A8463-6	1601
LK-S-40936	0105. 4	WO-53056	1808	WO-A8463-7	1601
D40974	1311	WO-53057	1808	WO-A8463-8	1601
D40975	1311	WO-53071	0609. 1	WO-A8463-9	1601
BX-41545	1202	DM-53097A	0608	TRI-848-14	2202. 2
BX-41807	1204. 2	WO-53135	1805	TRI-848-27	2202. 2
BX-41876	1202	CAR-53A168S	0301	FM-88032S	0401
WO-42759	1805	DM-53170A	0605	FM-88042S	0108
45-F-430	1601. 1	WO-53194	2208. 1	HI-88632	0505
45-F-451	{0202	WO-53243	2202. 1	RG-092021	1401. 1
	{0900	CAR-53A251S	0301	FM-95626S	2201
FM-B45482C	1804	WO-53379	1201. 2	FM-95627S	2201
BX-45771	1202	WO-53384	0304	FM-95628S	2201
BX-45908	1204. 2	WO-53538	1201. 2	FM-95633S	2201
BX-46491	1204. 2	DM-53875A	0608	FM-95705S	2201
BX-47047	1202	DM-53879	0608	SP-98-851	0900
BX-47048	1202	AL-5934A3	0603	FM-GPW1000A3	0601. 1
BX-47050	1202	FM-GPW6031A3	0105. 4	CAR-101-121	0301
BX-47051	1202	FM-60375S	1806	CAR-101-142S	0301
BX-47054	1202	FM-60470S	2201	CAR-101-150S	0301
BX-47656	1201. 2	CAR-61-119	0301	FM-GPW102026	0601. 1
BX-47660	1201. 2	CAR-61-128	0301	FM-GPW105193	0602. 3
BX-47661	1201. 2	CAR-61-143	0301	WO-106313	0601. 1
BX-47662	1201. 2	CAR-61-169	0301	WO-106740	0604. 1

ORDNANCE AND MANUFACTURERS' PART NUMBER INDEX—Continued

NUMBER	GROUP	NUMBER	GROUP	NUMBER	GROUP
MAE-10849-6	1604	WO-116172	0301	WO-116541	0301
WO-108515	0601. 1	WO-116173	0301	WO-116542	0301
MAE-10856-8	1604	WO-116174	0301	WO-116544	0301
MAE-10863-1	1604	WO-116175	0301	WO-116545	0301
MAE-10863-2	1604	WO-116176	0301	WO-116549	1202
WO-109173	0601. 1	WO-116177	0301	WO-116550	1202
WO-109427	0603	WO-116178	0301	WO-116551	1202
WO-109428	0603	WO-116179	0301	WO-116552	1202
WO-109431	0603	WO-116180	0301	WO-116584	0301
WO-109433	0603	WO-116181	0301	WO-116585	0301
WO-109436	0603	WO-116183	0301	WO-116586	0301
WO-109437	0603	WO-116184	0301	WO-116587	0301
WO-109442	0603	WO-116185	0301	WO-116588	0301
WO-109445	0603	WO-116186	0301	WO-116589	1601
WO-109446	0603	WO-116187	0301	WO-116609	1601
WO-109452	0603	WO-116188	0301	WO-116610	1601
WEB-110110	0617	WO-116189	0301	WO-116616	0104
FM-01A10193	0601. 1	WO-116191	0301	WO-116694	0302
WEB-110242	0617	WO-116194	0301	WO-116701	0104
FM-GPW110605	1808	WO-116195	0301	WO-116703	0104
FM-GPW111089S	1805	WO-116197	0301	WO-116704	0104
WO-116616	0104	WO-116198	0301	WO-116705	0104
WO-113460	0302	WO-116199	0301	WO-116711	1601
WO-113461	0302	WO-116202	0301	WO-116714	0802. 3
WO-115641	0302	WO-116203	0301	WO-116716	1601
WO-115643	0302	WO-116204	0301	C116902	0309
WO-115644	0302	WO-116205	0301	WO-116925	0301
WO-115650	0302	WO-116206	0301	WO-116995	0302
WO-115651	0302	WO-116208	0301	CAR-117-106	0301
WO-115653	0302	WO-116209	0301	WO-117369	0301
WO-115654	0302	WO-116210	0301	C118349	0602. 3
WO-115656	0302	WO-116214	0301	FM-11A9352	0302
WO-115657	0302	WO-116216	0301	FM-11A9361	0302
WO-115869	0302	WO-116217	0301	CAR-120-151S	0301
WO-115870	0302	WO-116295	0103	RG-T126000	1401. 1
WO-115880	0302	WO-116384	0301	C127233	1201. 2
WO-115905	0304	WO-116385	0301	C127234	1201. 2
WO-115948	0105. 2	WO-116458	1601	C127235	1201. 2
WO-116003	0104	WO-116459	1601	C127238	1201. 2
WO-116019	0104	WO-116460	1601	RG-T129001	1401. 1
WO-116020	0104	WO-116502	0104	FM-GPW131410	0609. 1
WO-116021	0104	WO-116503	0104	C138301	2208. 1
WO-116022	0104	WO-116522	0102. 1	FM-GPW144710	0601. 1
WO-116023	0104	WO-116523	0102. 1	FM-GPW144713	0602. 1
WO-116024	0104	WO-116524	0102. 1	TP-149V90A7	1401
WO-116116	0104	WO-116525	0102. 1	B151311	0603
WO-116117	0104	WO-116526	0102. 1	WO-A15728-1	1601
WO-116154	0301	WO-116527	0102. 1	WO-A15728-2	1601
WO-116157	0301	WO-116528	0102. 1	WO-A15728-3	1601
WO-116159	0301	WO-116529	0102. 1	WO-A15728-4	1601
WO-116160	0301	WO-116530	0102. 1	WO-A15728-5	1601
WO-116161	0301	WO-116531	0102. 1	WO-A15728-6	1601
WO-116162	0301	WO-116532	0102. 1	WO-A15728-7	1601
WO-116163	0301	WO-116533	0102. 1	WO-A15728-8	1601
WO-116164	0301	WO-116534	0104. 1	WO-A15728-9	1601
WO-116165	0301	WO-116535	0104. 1	A160316	0900
WO-116166	0301	WO-116536	0104. 1	A160323	1204. 1
WO-116168	0301	WO-116537	0301	SP-16322-2	1002
WO-116169	0301	WO-116538	0301		1102
WO-116170	0301	WO-116539	0301	SP-16323-2	1002
WO-116171	0301	WO-116540	0301		1102

ORDNANCE AND MANUFACTURERS' PART NUMBER INDEX—Continued

NUMBER	GROUP	NUMBER	GROUP	NUMBER	GROUP
A167516	0802. 5	A175377	0601. 3	B266177	0702. 2
B167555	0601. 3	SP-18-155-2	0801	A276834	1204. 1
B167562	0601. 3	SP-18-187-1	0802. 2	A278701	0601. 1
B167565	0601. 3	SP-18-19-18	0801	A281434	0301
B167566	0601. 1	SP-18-223-2	0801	A281437	0301
B167569	0601. 3	SP-18-223-3	0802. 3	A281457	0301
B167570	0601. 3	SP-18-223-6	1201. 2	A281470	0301
B167571	0601. 3	SP-18-228-7	0801	A283318	1001
B167573	0601. 3	SP-18-228-8	0801	A283457	0608
B167576	0601. 3	SP-18-228-9	0801	A291275	0603
B167577	0601. 3	SP-18-267-4	0801	A291725	0309
B167578	0601. 3	SP-18-324-2	0801	A291726	0309
B167579	0601. 1	SP-18-352-5	0801	A291727	0309
	0601. 3	SP-18-362-3	0802. 3	A291728	0309
B167581	0601. 3	SP-18-381-2	0802. 3	A291729	0309
B167583	0601. 3	SP-18-452-2	0802. 5	A292972	0302
B167584	0601. 3	SP-18-453-3	0802. 5	A292976	0302
B167587	0601. 3	SP-18-454-2	0802. 5	A292977	0302
B167589	0605	SP-18-466-1	0802. 3	A292981	0302
B167596	0604. 1	TRI-1851-28ZE	2202. 2	A293022	0301
B167602	0601. 3	A190691	0617	A293029	0301
B167603	0601. 3	FM-2042132	0900	A293042	0301
B167605	0601. 3	TRI-2092-10	2202. 2	A293047	0301
B167606	0601. 3	TRI-2092-44ZE	2202. 2	A293071	0301
B167607	0601. 3	B209586C	2202. 1	A293135	0301
B167610	0601. 3	A214539	1204. 1	A296576	0702. 1
B167634	0603	A214749	0302	WO-300143	0108
B167636	0603	A214776	0804	WO-300329	0612
B167638	0603	A214784	0804	WO-301435	0605
B167639	0603	A214819	0801	WO-303922	1501
B167640	0603	A214870	0801	A304419	1201. 2
B167645	0603	A214987	0302	A304420	1201. 2
B167648	0603	A215019	0603	A304421	1201. 2
B167649	0603	A215030	0603	A304422	1201. 2
B167650	0603	A215033	0603	A304423	1201. 2
B167661	0603	A215034	0603	A304426	1201. 2
SP-16992-1	1004	A215035	0603	A304427	1201. 2
SP-16992-2	1004	A215036	0603	A304428	1201. 2
SP-16992-3	1004	CB-215242	0609. 1	A304430	1201. 2
SP-16992-4	1004	A226157	0900	A307178	0900
SP-17122-3	1006	A232404	1311	A307281	0604. 1
SP-17122-4	1006	A232405	1311	A307283	0604. 1
SP-17128-2X	1006	A232465	1311	A307289	0900
SP-17128-3X	1006	TRI-2328-13ZE	2202. 2	A307299	0900
SP-17144-3	1102	A233140	1311	A307309	0302
SP-17144-4	1102	FM-24454-2	1804	A307333	0702. 3
SP-17155-1	1006	A244794	0613. 1	A307335	0702. 1
SP-17155-2	1006	B245928	0106. 2	A307419	0702. 3
SP-17295-1	1401	B246288	0309	A307421	0702. 2
SP-17295-2	1401	A246557	0202	A307456	0702. 2
WO-17355-1X	1006	A250653	0605	A307501	0702. 2
WO-17355-2X	1006	SP-25Q1055	0804	A307502	0702. 2
WO-17360-1	1006	SP-25Q1056	0804	A307503	0702. 3
WO-17360-2	1006	A261672	0302	A307504	0702. 3
A175240	0601. 3	A262210	0501	A307505	0702. 3
A175246	0603	B264301	1201. 2	A307550	0900
A175280	0601. 3	B264302B	1201. 2	A307552	0900
A175281	0601. 3	B264302A	1201. 2	WO-307556	0605
A175282	0601. 3	B264303	1201. 2	A307627	0302
A175283	0601. 3	B266117	0702. 2	A307671	0702. 3
A175364	0604. 1	B266142	2208. 1	A308194	0702. 3

ORDNANCE AND MANUFACTURERS' PART NUMBER INDEX—Continued

NUMBER	GROUP	NUMBER	GROUP	NUMBER	GROUP
A308198	0702. 1	FM-350281S	0801	FM-356560S	0802. 1
A308239	0601. 1	FM-350282S	0801	FM-356561S	0202
A308240	0601. 1	FM-350311S	1201. 2	FM-357417S	0702. 3
A308275	0601. 3	FM-351015S	1805	FM-357418S	0704
A308318	0603	LK-S35116-1	0105. 4	FM-357703S	1004
A308322	0601. 1	LK-S35117-1	0105. 4	FM-357703S	1004
WO-311003	0601. 1	FM-351505S	1604	FM-358019S	1805
A312057	1201. 1	FM-351915S	1201. 2	FM-358040S	0106. 2
A312058	1201. 2	FM-351926S	1202	FM-358074S	1006
SP-31-246-2	0301	FM-352101S	0201	WO-359039	1601
WO-314338	0802. 2	FM-352104S	0800	WO-371400	0612
WO-314369	0106. 6	FM-353104S	2201	WO-371567	0201
WO-315932	0605	FM-353201S	1703	WO-372438	0312
A316845	0605	FM-353202S	1701	WO-372668	0612
A322952	0105. 4	FM-355253S	0304	WO-374586	1202
A323545	0601. 1	FM-355262S	0106. 1	WO-374681	0201
FM-32852S7	1401. 1	FM-355378S	0804	WO-375217	0105. 4
FM-32989S2	0106. 2	FM-355426S	1401. 1	WO-375811	0105. 1
WO-330964	0609. 1	FM-355444S	1204. 1	WO-375877	0102
A331979	1806	FM-355451S	0105. 1	WO-375900	0105. 3
WO-332515	0106. 1	FM-GPW355452S	0105. 1	WO-375907	0105. 3
A333811	0106. 2	FM-355456S	2101	WO-375908	0105. 3
WO-334103	0401	FM-355476S	0201	WO-375910	0105. 2
FM-33797S2	0101	FM-355497S	0103	WO-375917	0105. 4
FM-33896S2	0102	FM-355499S	0104	WO-375920	0102
WO-339043	1808	FM-355533S	0105. 4	WO-375927	0106. 1
FM-33921S7	1804	FM-355533S	0801	WO-375994	0105. 1
WO-339372	1806	FM-355550S	0804	WO-380197	0106. 1
WO-343306	1808	FM-355551S	1201. 1	A381088	0608
WO-344732	0202	FM-355554S	0801	WO-381519	0102
WO-345961	0201	FM-355571S	0105. 2	FM-38192S2	1804
A346490	1601. 1	FM-355578S	1202	FM-38259S2	1804
A346732A	0106. 1	FM-355597S	0103	WO-384228	1601. 1
A346734	0108	FM-355698S	0700	WO-384569	0106. 1
A346740	0160. 2	FM-355741S	0804	WO-384710	1204. 3
A346767	0613. 1	FM-355752S	0800	WO-387249	0306
A346768	2202. 2	FM-355872S	1201. 1	WO-387633	0102
A346770	2208. 1	FM-356016S	1201. 2	WO-387891	0106. 6
A346771	0602. 3	FM-356124S	1805	WO-390510	1401. 1
A346774	0301	FM-356125S	1401	WO-392328	0704
A346775	0301	FM-356126S	0802. 3	WO-392468	1201. 1
A346776	0604. 1	FM-356126S	0900	RG-400025	1401. 1
A346777	0604. 1	WO-356155	0900	RG-401090	1401. 1
A346778	0604. 1	FM-356205S	1006	RG-401100	1401. 1
A346779	0604. 1	FM-356299S	0106. 1	RG-401107	0611
A346780	0604. 1	FM-356303S	0801	FM-40631S7	0609. 1
A346784	0604. 1	FM-356305S	0608	CB-415342	0609. 1
A346791	0602. 1	FM-356361S	1401. 1	CB-415442	0609. 1
A346792	0602. 3	FM-356276S	0312	42-C-6620	2201
A346792	0602. 1	FM-356403S	0612	42-E-4060	2201
A346794	0602. 1	FM-356436S	0613. 1	SW-441044	0607
A346845	0601. 1	FM-356439S	1804	RG-450054	0611
A346846	0601. 1	FM-356504S	0102	45-C-9272	0604. 1
A346854	0302	FM-356519S	1201. 2	USL-461389	0304
FM-348148S	2201	FM-356524S	0601. 1	500813	2202. 1
WO-349368	0101		1401. 1	RG-502282	1401. 1
FM-350280S	0801		0802. 3	RG-502540	1401. 1
			0900	RG-503284	1401. 1
			1006	RG-503308	1401. 1
			0802. 1	BUE-505275	1808
			0800	BUE-505282	1808

ORDNANCE AND MANUFACTURERS' PART NUMBER INDEX—Continued

NUMBER	GROUP	NUMBER	GROUP	NUMBER	GROUP
BUE-505284	1808	WO-634759	0800	WO-636879	0702. 2
BUE-505285	1808	WO-634762	0800	WO-636882	0702. 3
BUE-505287	1808	WO-634796	0102	WO-636954	0104
BUE-505288	1808	WO-634811	0108	WO-636961	0104
FM-51-3287	1401	WO-634813	0106. 1	WO-637007	0102. 1
FM-60332S2	1804	WO-634814	{0401	WO-637008	0102. 1
OKS-613300	0304		{0401. 1	WO-637020	0104. 1
OKS-613306	0304	WO-634850	0105. 4	WO-637041	0104
OKS-613313	0304	WO-635097	0304	WO-637042	0104
OKS-613314	0304	WO-635377	0102. 1	WO-637044	0105. 1
OKS-613380	0304	WO-635394	0103	WO-637045	0105. 1
OKS-613387	0304	WO-635532	1601. 1	WO-637047	0105. 2
OKS-613455	0304	WO-635681	{1201. 1	WO-637048	0105. 2
FM-62323S2	1808		{1201. 2	WO-637052	0504
WO-624969	0102	WO-635804	0702. 3	WO-637053	0504
WO-630068	0202	WO-635811	0702. 3	WO-637065	0105. 3
WO-630101	{0103	WO-635812	0702. 3	WO-637098	0102
	{0700	WO-635820	0702. 2	WO-637182	0105. 1
WO-630103	0701	WO-635836	0704	WO-637183	0105. 1
WO-630112	0202	WO-635837	0704	WO-637206	0108
WO-630117	0202	WO-635839	0704	WO-637208	0108
WO-630129	0201	WO-635840	0704	WO-637209	0108
WO-630262	0102	WO-635841	0704	WO-637210	0108
WO-630294	0102	WO-635844	0702. 1	WO-637211	0108
WO-630298	0106. 5	WO-635846	0702. 1	WO-637237	0102
WO-630299	0106. 5	WO-635857	0704	WO-637424	1204. 3
WO-630303	0105. 1	WO-635859	0704	WO-637425	0106. 1
WO-630305	0105. 1	WO-635861	0704	WO-637426	1204. 3
WO-630359	0105. 4	WO-635862	0704	WO-637427	1204. 3
WO-630364	0105. 3	WO-635863	0704	WO-637432	1204. 3
WO-630365	0105. 4	WO-635886	0605	WO-637439	1204. 3
WO-630384	0106. 1	WO-635981	0613. 1	WO-637495	0700
WO-630387	0106. 1	WO-635985	0613. 1	WO-637503	0701
WO-630389	0106. 1	WO-636004	{0401	WO-637540	1204. 2
WO-630390	0106. 1		{0401. 1	WO-637541	1204. 2
WO-630392	0106. 1	WO-636109	0503	WO-637544	1204. 2
WO-630394	0106. 1	WO-636196	0704	WO-637545	1204. 2
WO-630396	0106. 6	WO-636197	0704	WO-637546	1204. 2
WO-630397	0106. 6	WO-636200	0704	WO-637577	1204. 2
WO-630398	0106. 6	WO-636298	0504	WO-637579	1204. 2
WO-630512	0503	WO-636299	0505	WO-637580	1204. 2
WO-630518	0106. 1	WO-636360	{1002	WO-637582	1204. 1
WO-630526	0401		{1102	WO-637583	1204. 1
WO-630593	0202	WO-636396	0802. 5	WO-637584	1204. 1
WO-630727	0105. 4	WO-636438	0108	WO-637585	1204. 1
WO-630753	1401	WO-636439	0108	WO-637586	1204. 1
WO-630754	1401	WO-636504S	0802. 3	WO-637587	1204. 1
WO-630755	1401	WO-636565	{1002	WO-637590	1204. 1
WO-630756	1401		{1102	WO-637591	1204. 1
WO-630757	1401	WO-636566	{1002	WO-637595	1204. 1
WO-631105	0605		{1102	WO-637596	1204. 1
WO-632156	0103	WO-636568	{1002	WO-637597	1204. 1
WO-632157	{0103		{1102	WO-637598	1204. 1
	{0104	WO-636569	{0900	WO-637599	1204. 1
WO-632158	0105. 1	WO-636570	{1006	WO-637602	1204. 1
WO-632174	0312		{0900	WO-637604	1204. 1
WO-632177	0202	WO-636599	{1006	WO-637605	1204. 1
WO-633011	0312		{0106. 1	WO-637606	1204. 1
WO-633013	0312	WO-636600	0106. 1	WO-637608	1204. 1
WO-634432	1601. 1	WO-636755	0201	WO-637612	1204. 1
WO-634758	0800	WO-636778	0201	WO-637615	0604. 1

ORDNANCE AND MANUFACTURERS' PART NUMBER INDEX—Continued

NUMBER	GROUP	NUMBER	GROUP	NUMBER	GROUP
WO-637636	0106. 1	WO-639052	0105. 1	WO-640360	0201
WO-637646	0503	WO-639090	1401. 1	WO-640361	0201
WO-637724	0102. 1	WO-639091	1401. 1	WO-640527	2202. 2
WO-637725	0102. 1	WO-639102	1401. 1	WO-640720	0312
WO-637787	1204. 2	WO-639103	1401. 1	WO-641046C	0106. 1
WO-637789	1204. 2	WO-639107	1401. 1	WO-641047	0106. 1
WO-637790	0102	WO-639108	1401. 1	WO-641048D	0105. 4
WO-637831	0702. 2	WO-639109	1401. 1	WO-641049	{0105. 3
WO-637832	0702. 2	WO-639110	1401. 1		{0105. 4
WO-637833	0702. 2	WO-639115	1401. 1	WO-641049U	0105. 3
WO-637834	0702. 2	WO-639116	1401. 1	WO-641050	0106. 6
WO-637835	0702. 2	WO-639118	1401. 1	WO-641055D	0105. 3
WO-637899	1202	WO-639119	1401. 1	WO-641096B	0105. 4
WO-637900	1202	WO-639121	1401. 1	WO-641128	0102
WO-637901	1202	WO-639190	1401. 1	WO-641143A	0105. 4
WO-637905	1202	WO-639191	1401. 1	WO-641281D	0105. 4
WO-637936	1604	WO-639192	1401. 1	WO-641282C	0105. 4
WO-638058	{0401	WO-639237	0102. 1	WO-641283B	0105. 4
	{0401. 1	WO-639238	0102. 1	WO-641284A	0105. 3
WO-638113	0102	WO-639239	0102. 1	WO-641293	0106. 1
WO-638121	0102	WO-639240	0102. 1	WO-641478	0106. 1
WO-638151	0201	WO-639244	{1201. 1	WO-641479	0106. 1
WO-638152	0201		{1201. 2	WO-641481	0106. 1
WO-638153	0201	WO-639422	0702. 2	WO-641482	0106. 1
WO-638154	0201	WO-639423	0702. 2	WO-641483	0106. 1
WO-638155	0201	WO-639555	0106. 6	WO-641695	0201
WO-638157	0201	WO-639578	0201	WO-641742	0106. 1
WO-638158	0201	WO-639599	0608	WO-641768	0104. 1
WO-638159	0201	WO-639607	0312	WO-641769	0104. 1
WO-638381	1401. 1	WO-639610	0312	WO-641774	0104. 1
WO-638457	0105. 4	WO-639650	0503	WO-641775	0104. 1
WO-638458	0105. 4	WO-639651	0503	WO-641839	0104. 1
WO-638459	0105. 4	WO-639654	0202	WO-641921	1201. 2
WO-638539	0101	WO-639663	0504	WO-642280B	0103
WO-638540B	0101	WO-639734	0603	WO-642622	0201
WO-638635	0101	WO-639743	0108	WO-642918	0201
WO-638636	0105. 1	WO-639858	0104. 1	WO-643839	0102
WO-638640	0108	WO-639859	0104. 1	WO-643842B	0105. 4
WO-638646	0603	WO-639862	0104. 1	WO-644963D	0105. 3
WO-638678	0101	WO-639864	0104	WO-645093D	0105. 1
WO-638730	0102. 1	WO-639870	0106. 1	WO-645094D	0105. 1
WO-638731	0102. 1	WO-639979	0106. 6	WO-645160	0102. 1
WO-638732	0102. 1	WO-639980	0106. 6	WO-645161	0102. 1
WO-638733	0102. 1	WO-639992	0504	WO-645162	0102. 1
WO-638737	0302	WO-639993	0504	WO-645163	0102. 1
WO-638780	1201. 1	WO-639999	0104. 1	WO-645164	0102. 1
WO-638798	0702. 2	WO-640000	0104. 1	WO-645165	0102. 1
WO-638809	1501	WO-640006	0702. 2	WO-645166	0102. 1
WO-638884	0611	WO-640017	0702. 1	WO-645167	0102. 1
WO-638885	0611	WO-640018	0702. 1	WO-645168	0102. 1
WO-638918	1401. 1	WO-640019	0105. 2	WO-645169	0102. 1
WO-638948	0702. 3	WO-640020	0105. 2	WO-645170	0102. 1
WO-638949	0702. 3	WO-640030	0106. 6	WO-645171	0102. 1
WO-638952	0702. 3	WO-640031	0504	WO-645187	0501
WO-638979	0608	WO-640032	0504	WO-645282	0102
WO-638992	0201	WO-640033	0504	WO-645595	0105. 3
WO-638993	0201	WO-640034	0504	WO-645623B	0102
WO-639010	{1201. 1	WO-640070	0104. 1	WO-645628	0106. 1
	{1201. 2	WO-640071	0104. 1	WO-645629	0106. 1
WO-639044	0105. 1	WO-640072	0104. 1	WO-645630	0106. 1
WO-639051	0105. 3	WO-640102	1201. 2	WO-645631	0106. 2

ORDNANCE AND MANUFACTURERS' PART NUMBER INDEX—Continued

NUMBER	GROUP	NUMBER	GROUP	NUMBER	GROUP
WO-646865	0100	FM-GPW1100001	1800	FM-GPW1111218	1805
WO-647078	0102	FM-GPW1101610	1804	FM-GPW1111286A	1805
WO-647820	0605	FM-GPW1'01621A	2210	FM-GPW1111299A	1805
WO-647843C	0301	FM-GPW1101627A	2210	FM-GPW1111322	0306
WO-647845	0100	FM-1101629A	2210	FM-GPW1111323	0306
WO-650482	0312	FM-GPW1101670	1804	FM-GPW1111324	0306
WO-650483	0312	FM-GPW1101698A	1805	FM-GPW1111330	1805
WO-651298	0312	FM-GPW1101735A	0804	FM-GPW1111331	1805
WO-654934	1806		1805	FM-GPW1111520A	1805
WO-662010	1701	FM-GPW1102002	1804	FM-GPW1112110	1805
WO-662276	0613. 1	FM-GPW1102003	1804	FM-GPW1112115	1805
WO-662420	0607	FM-GPW1102015	1804	FM-GPW1112116A	1805
SP-6-73-122	1201. 2	FM-GPW1102038	1804	FM-GPW1112117	1805
SP-6-73-124	1006	FM-GPW1102039	1804	FM-GPW1112119	1805
	1102	FM-GPW1102130	1804	FM-GPW1112158	1805
SP-6-73-218	1201. 1	FM-GPW1102330A	1808	FM-11A12426	0605
SP-6-73-513	1202	FM-GPW-1102396	1804	FM-11A13480	0608
GM-709818	1204. 3	FM-GPW1102510	1804	FM-11A14452	0612
710161	0504	FM-GPW1102511	1804	FM-11C17489	2202. 2
FM-72798S7	0603	FM-GPW1102980	2201	FM-GPW1120040	2201
FM-73889S7	1201. 1	FM-GPW1103010	1804	FM-GPW1120041	2201
FM-73904S7	1201. 1	FM-GPW1103014	1804	FM-GPW1127846	1804
	1201. 2	FM-GP1103014B	1804	FM-GPW1127847	1804
FM-73928S7	1201. 1	FM-GP1103020	1804	FM-GPW1127848	1804
FM-74-6038	0800	FM-GPW1103027	1703	FM-GPW1127849	1804
FM-74-6038A	0800	FM-GPW1103028	1804	FM-GPW1127850	1804
FM-78-2814A	1204. 3	FM-GPW1103030	1804	FM-GPW1127851	1804
FM-78-3332A	1401	FM-GPW1103050	1804	FM-GPW1128242	1804
FM-78-3336	1401	FM-GPW1103080A	1804	FM-GPW1128244	1804
FM-G8T11649	0608	FM-GP1103100	1804	FM-GPW1128254	1808
FM-G8T11654	0608	FM-GP1103106	1804	FM-GPW1128256	1808
FM-G8T11661	0608	FM-GPW1103110	1804	FM-GPW1128286	1804
FM-G8T11670	0608	FM-GPW1103162	1804	FM-GPW1129068	2201
FM-G8T13532	0608	FM-GPW1103214	2201	FM-GPW1129069	2201
AC-838263	0302	FM-GPW1103268	1804	FM-GPW1129670	1804
RG-828732	0611	FM-GP1103302	1804	FM-GPW1129672	1804
WO-A8463-10	1601	FM-GP1103304	1804	FM-GPW1140324	1804
AC-846709	0501	FM-GP1103310	1804	FM-GPW1140330	1808
AC-846732	0501	FM-GP1103334	1804	FM-GPW1140334	1808
AC-850042	0306	FM-GP1103350	1804	FM-GPW1140344	1808
AC-853558	0309	FM-GPW1103446A	1804	FM-GPW1140348	1808
AC-853562	0309	FM-GP1103482A	1804	FM-GPW1140441	1804
AC-853572	0309	FM-GPW1103488	1804	FM-GPW1140447	1804
AC-853634	0309	FM-GPW1104320	1804	FM-GPW1140449	1804
AC-854005	0302	FM-GPW1104364	1804	FM-GPW1140474	0306
AC-855763	0302	FM-GPW1104366	1808	FM-GPW1143507	1808
ND-885141	0504	FM-GPW1106024-B	1808	FM-GPW1144605	1804
ND-885141D	0504	FM-GPW1106064	1808	FM-GPW1144620	1804
BX-900110	1201. 2	FM-GPW1106068	1808	FM-GPW1146100	1808
FM-9N11450A	0603	FM-GPW1106084A	1808	FM-GPW1146102A	1808
FM-9N18679	0106. 6	FM-GPW1106084B	1808	FM-GPW1146126	1808
FM-9N18686	0106. 6	FM-GPW1106085	1808	FM-GPW1146132	1808
FM-91A2027	1202	FM-GPW1106087A	1808	FM-GPW1146152	1808
FM-91A2030	1202	FM-GPW1110610	1805	FM-GPW1150498	1804
FM-91A2151	1204. 1	FM-GPW1110611	1805		2201
FM-91A2152	1204. 1	GPW-1110625	1805	FM-GPW1151266	2201
FM-91A2201	1204. 2	FM-GPW1110750	1805	FM-GPW1151268	2201
FM-09B14362	0617	FM-GPW1111137A	1805	FM-GPW1151270	2201
FM-91-A8287	0304	FM-GPW1111140	1805	FM-GPW1151272	2201
FM-99A5090	1501	FM-GPW1111155	1805	FM-GPW1151289	1804
FM-GPW1000000	1800	FM-GPW1111162	1804	FM-GPW1151297	1804

ORDNANCE AND MANUFACTURERS' PART NUMBER INDEX—Continued

NUMBER	GROUP	NUMBER	GROUP	NUMBER	GROUP
FM-GPW1152700	2201	AC-1523096	0302	FM-356229S7	{0605
FM-GPW1152720	2201	AC-1523099	0302		{0608
FM-GPW1152730	2201	AC-1523106	0302	FM-356263S7	0601. 1
FM-GPW1152950	2201	AC-1523231	0302		{1804
FM-GPW1153030	2201	AC-1523744	0302	FM-356309S7	{2101
FM-GPW1153100	1808	AC-1537065	0302	FM-356314S7	0501
FM-GPW1153104	1808	AC-1537404	0302	FM-356371S7	0601. 1
FM-GPW1153106	1808	AC-1537766	0302	FM-356373S2	1804
FM-GPW1153107	1808	AC-1537812	0302	FM-356394S2	1204. 1
FM-GPW1153110	1808	AC-1538205	0302	FM-356522S2	2201
FM-GPW1153123	1808	AC-1538312	0302	FM-357419S2	0609. 1
FM-GPW1153124	1808	AC-1538886	0302	FM-357689S7	0605
FM-GPW1153142	2201	WO-A15728-10	1601	FM-360036S8	0608
FM-GPW1154810A	{1804	WO-A15728-11	1601	WG-4229A138A	0702. 2
	{2201	AC-1595223	0309	WG-4299A137A	0702. 2
FM-GPW1160012B	1806	AC-1595235	0309	5166140	{0309
FM-GPW1160016B	1806	AC-1595823	0309	5570232	
FM-GPW1160026	1806	AC-1595831	0309	5700002	2202. 1
FM-GPW1160314	1806	AC-1595848	0309	5700003	2202. 1
FM-GPW1160326	1806	FM-19B14451	0612	SP-6-73-1117	1004
FM-GPW1160327B	1806	FM-21CS17682B	2202	7000419	0608
FM-GPW1160780	1806	SP-22-381-19	0802. 3		{0106. 2
FM-GPW1161300	1806	FM-256123S7	1808		{0613. 1
FM-GPW1161302	1806	HR-3108628	0503	7000997	{2202. 2
FM-GPW1161326	1806		{1601 1		{2208. 1
FM-GPW1162180	1806	FM-34033S18	1602	7001046	0602. 3
FM-GPW1162181	1806	FM-350110S7	0604. 1	7001402	0605
FM-GPW1162400	1806		{1701	7001411	1202
FM-GPW1162402	1806	FM-350976S2	1805	7002108	0309
FM-GPW1162410	1806	FM-351303S2	2202. 1	7002601	0704
FM-GPW1162414	1806	FM-351355S7	0603	7002980	2202. 1
FM-GPW1162552	1806		{1701	7002981	2202. 1
FM-GPW1162606	1805	FM-351370S2	1806	7002982	2202. 1
FM-GPW1162900B	1806		{2201	7007562	0304
FM-GPW1162900C	1806	FM-351505S7	1604	7007587	0609. 1
FM-GPW1163120B	1806	FM-352690S7	1201. 2	7010485	0304
FM-GPW1163206	1806	FM-353202S2	1701	7010486	0304
FM-GPW1163804C	1806	FM-355067S7	0301	7010517	0304
FM-GPW1163846B	1806	FM-355132S7	0301		{0617
FM-GPW1164416	1806	FM-355158S2	1808	7010531	{1503
FM-GPW1164812B	1806	FM-355158S7	1808	7010624	0609. 1
FM-GPW1166400	1806		{1804	7010671	0602. 1
FM-GPW1166401	1806	FM-355162S2	2201	7010675	0601. 1
FM-GPW1166600	1806		0603	7016441	0608
FM-GPW1166800B	1806	FM-355164S2	0301	7016452	0601. 3
AC-1504117	0309	FM-355200S7	0601. 1	7016453	0601. 3
AC-1504118	0309	FM-355260S7	1201. 1	7016455	0601. 3
AC-1504212	0309	FM-355352S7	0106. 6	7016456	0601. 3
AC-1521288	0302	FM-355403S2	0602. 1	7036544	0802. 3
AC-1521578	0302	FM-355427S7	1804	7036567	1401
AC-1521708	0302	FM-355449S2	0601. 1	7036571	0105. 4
AC-1521880	0302	FM-355455S7	0601. 1	7036572	0105. 4
AC-1521956	0302	FM-355486S7	1806	7036573	2202. 1
AC-1521960	0302	FM-355569S2	0501	7036574	0105. 4
AC-1521985	0302	FM-355762S7	1806	7036575	0304
AC-1522046	0302	FM-355900S2	1805	7036577	0505
AC-1522072	0302	FM-355909S2	0603	7036578	0106. 6
AC-1522199	0302	FM-355944S5	1401. 1	7036579	0105. 1
AC-1523068	0302	FM-356077S5	1808	7036580	0105. 1
AC-1523084	0302	FM-356123S7	1805	7036582	0608
AC-1523090	0302	FM-356200S7	0601. 1	7036583	0900
		FM-356208S7			

ORDNANCE AND MANUFACTURERS' PART NUMBER INDEX—Continued

NUMBER	GROUP	NUMBER	GROUP	NUMBER	GROUP
7036584	1401	7324917	1201. 1	7368266	0105. 1
7036585	1401	7324918	1201. 1	7368267	0106. 6
7036586	1401	7324920	1004	7368268	0306
7036587	1401	7326117	0106. 6	7368269	0306
7036588	1401	7326118	0202	7368270	0306
7036866	0608	7326119	1804	7368271	0306
7037380	0608		2201	7368272	0306
7039934	0106 2	7326315	1503	7368273	0306
7044154	1504	7326316	1503	7368274	0306
7044167	1504	7329276	0104	7368275	0306
7044173	1504	7329277	0104	7444101	0603
7044232	0802. 5	7329386	0604. 1	7520047	1202
	2208. 1		0106. 5	7697848	1601. 1
7056073	0607	7330714	0104	7697850	1602
7058919	0615	7331509	0802. 5	7697851	1703
7058922	0615	7332019	0401	7697852	0609. 1
7058923	0615	7335115	2201	7697853	0612
7058924	0615	7335119	2201	7697854	1501
7058926	0615	7335135	2201	7697855	1201. 1
7058927	0615	7335147	2201	7697856	2210
7058931	0615	7335148	2201	7697858	0609. 1
7062001	1503	7336451	0102	7697859	0609. 1
7062002	1503	7337026	0601. 1	7697860	1604
7069271	2202. 1	7337495	0602. 1	7697861	1601. 1
7069272	2202. 1	7337558	0615	7697862	1601. 1
7069273	2202. 1	7338861	1006	7697863	0501
7069274	2202. 1	7338991	0613. 1	7697865	0613. 1
7088715	1604	7340237	1204. 1	7697866	0613. 1
7088753	0605	7341364	0607	7697867	0607
7088755	0608	7341366	0603	7697868	1501
7089574	0201	7341765	1501	7697869	0401
7089882	0611	7341766	1501		1501
7091769	1804	7341767	1501	7697870	1501
7099459	1804	7341768	1501	7697871	1204. 3
7099460	2202. 2	7341775	0613. 1	7697872	1204. 3
7099461	2202 2	7341800	1312	7697873	1204
7099792	0304	7341811	1808	7697874	1204. 1
7099909	1504	7343030	1401. 1	7697875	1602
7324060	0301	7343032	1604	7697876	0609. 1
7324173	0604. 1	7343076	1601. 1	7698204	0605
7324174	0604. 1	7343079	0104. 1	7698205	1204. 1
7324684	0603	7343086	0306	7698344	0617
7324773	1804		0613. 1	7698430	1804
7324775	1804	7343162	0101	7698431	1804
7324834	1204. 1	7343368	0301	7698432	1804
7324836	2202. 1	7361993	1808	7698433	1808
7324837	0304	7361994	1805	7698434	1806
7324838	0105. 1	7362105	0504	7698435	1806
7324839	0105. 1	7362371	1204. 1	7698436	1808
7324840	0103	7365352	0900	7698437	1808
	0104	7367859	1401. 1	7698438	1703
7324841	0201	7367861	0900	7698439	1703
7324844	0608		1006	7698440	1804
7324847	1804	7368257	0312		2201
7324848	1804	7368258	0312	7698441	1808
7324849	1401. 1	7368259	0312	7698442	1806
7324850	0800	7368260	0202	7698443	1806
7324851	1201. 1	7368262	0202	7698444	1806
7324852	1201. 1	7368263	0306	7698445	1806
	1201. 2	7368264	0306	7698447	2201
7324874	0104. 1	7368265	0100	7698448	1501

ORDNANCE AND MANUFACTURERS' PART NUMBER INDEX—Continued

NUMBER	GROUP	NUMBER	GROUP	NUMBER	GROUP
7698449	1501	7702564	0106. 2	7713399	0601. 3
7698450	1501	7702591	0900	7713400	0613. 1
7698451	2101			7713401	0601. 3
7698452	1808	7702608	{0602. 1	7713402	0505
7698454	2101		{0602. 3	7713405	0100
7698455	2101	7702609	0602. 1	7713408	0613. 1
7698456	1806	7702610	0301	7713412	0612
7698457	1806	7702613	0602. 1	7713413	0612
7698458	1808	7702631	0900	7713415	0603
7698459	1808	7702632	0604. 1	7713416	0612
7698460	1806	7702637	0604. 1	7713417	0613. 1
7698461	1806	7702642	{0602. 1	7713418	0612
7698462	1806		{0602. 3	7713500	0608
7698463	1806	7702645	0602. 1	7713588	0607
7698464	1804		{0602. 3	7713757	0613. 1
7698465	1805	7702646	0602. 1	7713899	0601. 3
7698466	1805		{0602. 3	7713900	0601. 3
7698467	1805	7702662	0602. 3	7713901	0601. 3
7698468	1804	7702663	0602. 3	7713902	0601. 3
7698469	1804	7702664	0602. 3	7713903	0601. 3
7698470	1804	7702665	{0602. 1	7713904	0613. 1
7698471	1804		{0602. 3	7717241	0100
7698472	1804	7702666	0602. 1	7721446	2201
7698473	1804	7702730	0601. 3	7721596	0601. 3
7698474	1808	7702733	0301	7734191	0603
7698475	1804	7702739	{0602. 1	7734194	0603
7698476	2201		{0602. 3	7734206	1000
7698477	2201	7702743	1201. 1	7734389	0601. 1
7698478	2201	7702744	1201. 1	7734390	1006
7698479	2201	7702745	1201. 1	7734419	0401
7698480	2201	7703114	1604	7734710	0501
7698481	2101	7703774	0309	7734834	0601. 1
7698482	2101	7703778	0602. 3	7740511	1806
7698483	2201	7703783	0601. 1	7740517	0615
7698484	2201	7703974	1100	7740789	1204. 3
7698485	1804	7703975	0106. 2	7740808	1501
7698486	1805	7703977	0309	7740835	1804
7698487	1805	7704013	0312	7741329	1806
7698488	1804	7704014	0613. 1	7741330	1806
7698489	1808	7704015	0608	7741398	0704
7698490	1808	7704100	0104. 1	7741406	0105. 4
7698604	0302	7704110	0401	7741407	0105. 3
7698615	0301	7707535	0602. 3	7741408	0105. 3
7699040	0102	7712500	0104. 1	7741409	0105. 4
7701013	0108	7713376	0612	7741410	0106. 1
7701326	0501	7713377	0605	7741411	0101
7701327	0501	7713379	0605	7741412	0101
7701328	1800	7713380	0601. 3	7741414	0105. 4
7701460	0304	7713381	0615	7741415	0105. 4
7701461	0304	7713384	0615	7741416	0104. 1
7701926	0601. 1	7713385	0601. 3	7741417	0104. 1
7702464	0604. 1	7713387	0612	7741418	0105. 3
7702465	0900	7713389	0612	7741419	{0105. 4
		7713390	0102		{0106. 1
7702474	{0602. 1	7713391	0601. 3	7741420	0105. 1
	{0602. 3	7713392	0505	7741421	0105. 1
7702475	0602. 1	7713393	0615	7741423	0201
7702476	0602. 1	7713394	0615	7741424	0201
7702478	0601. 3	7713395	0601. 3	7741425	0103
7702479	0602. 1	7713396	0608	7741426	0105. 4
7702535	0602. 1	7713397	0612	7741427	0105. 4
7702557	0306	7713398	0100		

ORDNANCE AND MANUFACTURERS' PART NUMBER INDEX—Continued

NUMBER	GROUP	NUMBER	GROUP	NUMBER	GROUP
7741429	1703	7743876	1701	7744588	0301
7741430	1703	7743877	1701	7744589	0301
7741431	2101	7743886	0301	7744948	{ 1102
7741432	2101	7744102	0603		{ 1002
7741978	1808	7744158	0106. 2	7744949	0104. 1
7743508	2201	7744196	0605	7744950	0104. 1
7743509	2201	7744207	1806	7744951	0104. 1
7743516	0612	7744208	1806	7744952	0104. 1
7743527	0613. 1	7744210	1806	7767292	1806
7743536	2201	7744246	0105. 3	7767293	1401. 1
7743537	0106. 2	7744253	1805	7768200	2210
7743538	2201	7744267	0106. 1	7744983	0501
7743560	2201	7744255	2208. 1	FM-78-10212A	0601. 1
7743569	0105. 2	7744273	0800	WG-T84H137-12	0702. 2
7743570	1806	7744275	0302	BX-901138K6	1201. 2
7743571	1806	7744283	0603	BX-901835K6	1201. 2
7743589	1501	7744319	0105. 3	FM-GPW11111238	1804
7743652	0802. 1	7744320	0105. 3	FM-GPW1111286A3	0704
7743664	1804	7744324	0106. 1	FM-351025S7-8	0101
7743681	0611	7744325	1204. 1	FM-352692S15	1804
7743691	1501	7744326	1204. 1	FM-35548557	0603
7743726	0309	7744327	1204. 3	FM-356134S18	0802. 1
7743730	0306	7744328	0501	FM-357553S18	1201. 1
7743738	0702. 3	7744331	0106. 1	45-V-18-129-3	0900
7743751	0104. 1	7744332	0106. 1	45-F-406-150	0804
7743752	0104. 1	7744333	0106. 1		{ 1204. 1
7743757	0312	7744365	0613. 1	45-F-448-200	{ 1401
7743777	0100	7744399	1808		{ 1601. 1
7743811	2210	7744463	0603	SW-777F1-1038	{ 0802. 5
7743812	1604	7744469	0102		{ 2208. 1
7743813	1808	7744470	0102	FM-81W811189	1804
7743818	0102	7744471	0104. 1	FM-G8T8103074B	1804
7743844	1804	7744472	0104. 1	22-W1631-110	0804
7743846	1701	7744473	0102	FM-99W8103311	1804
7743847	1701	7744493	1204. 1	SP-18-362-4-5866X	0802. 3
7743848	1701	7744585	1501	SP-K2-62-210-212-1718	0900
7743849	1701	7744586	0106. 1	SP-K2-62-210-212-1907	0900
7743875	1701				

STOCK NUMBER INDEX

This index includes three types of stock numbers which are not intermixed—the SNL prefix type, the stock class code (manufacturer's numerical symbol) prefix type, and Federal stock numbers. These numbers are each arranged numerically by types. H, J, and K group numbers are not included generally in this index because they refer to standard items which may appear in various groups or already have a common application in the supply system for standard matériel and are not necessarily peculiar within an index of this kind.

NUMBER	GROUP	NUMBER	GROUP	NUMBER	GROUP
G057-0124276	1204. 1	G116-0401031	2208. 1	G154-0384602	0702. 3
G067-0904740	0603	G116-1781899	0601. 1	G154-0443031	0702. 3
G067-0904880	0603	G116-1843100	0604. 1	G154-0443057	0702. 3
G067-0905370	0601. 3	G116-1845184	0604. 1	G158-6578296	1808
G067-0905560	0603	G121-0110500	0601. 1	G160-0126260	0611
G067-1200785	0603	G121-0115950	0601. 1	G160-0232827	0601. 3
G067-6167649	0603	G121-0127843	0601. 1	G160-0389772	0804
G085-0100660	0302	G121-0127846	0601. 1	G162-1583745	0106. 2
G085-1100877	0601. 1	G121-0131432	0601. 1	G170-0392287	0202
G085-1100878	0601. 1	G121-0139650	0601. 1	G179-5307552	0900
G085-1101840	0201	G121-0139665	0601. 1	G179-5346854	0302
G085-1102402	2208. 1	G121-0155535	0609. 1	G179-6266177	0702. 2
G085-1305451	0601. 1	G121-0193758	0601. 1	G179-7062001	1503
G085-1414736	0302	G121-0194050	0607	G179-7062002	1503
G085-2102215	0608	G121-0205450	0601. 1	G240-7326315	1503
G085-2212230	0900	G121-0211480	0601. 1	G240-7326316	1503
G085-2215605	0612	G121-0211490	0601. 1	G501-5262210	0501
G085-2219065	1204. 3	G121-0232730	0601. 1	G501-5291728	0309
G085-2221780	1204. 2	G121-0232740	0601. 1	G501-7002108	0309
G085-2266530	0601. 1	G121-0232750	0601. 1	G502-0110521	0601. 3
G085-2319320	1202	G121-0273850	0601. 1	G502-0139775	0602. 1
G085-2320185	1202	G121-0340277	0604. 1	G502-0139776	0602. 1
G085-2341480	0601. 1	G121-0340306	0604. 1	G502-0139777	0602. 1
G085-2371582	1401	G121-0340310	0601. 1	G502-0211410	0601. 3
G085-3000180	0302	G121-0342310	0601. 1	G502-0340221	0601. 3
G085-3000880	0302	G121-0342320	0601. 1	G502-0342415	0601. 3
G085-3001540	0309	G121-0367250	0602. 1	G502-0398792	0601. 3
G085-3002100	0301	G121-0367615	0601. 1	G502-5175280	0601. 3
G085-3002220	0302	G121-0389890	0604. 1	G502-5175281	0601. 3
G085-3002280	0309	G121-0442944	0601. 1	G502-5175282	0601. 3
G085-3002300	0309	G121-0442945	0601. 1	G502-5175377	0601. 3
G085-3002320	0309	G121-0442947	0601. 1	G502-5292976	0302
G085-3003100	0302	G121-0442956	0601. 1	G502-5346490	0602. 3
G085-3003640	0302	G125-0882589	0301	G502-6167555	0601. 3
G085-3004580	0302	G134-0340397	0101	G502-6167562	0601. 3
G085-3004880	0302	G134-0340460	1204. 1	G502-6167566	0601. 1
G085-3004900	0301	G147-0118049	0900	G502-6167569	0601. 3
G085-3004960	0301	G154-0118006	0702. 2	G502-6167570	0601. 3
G085-3005000	0301	G154-0128020	0702. 3	G502-6167571	0601. 3
G085-3005020	0301	G154-0128027	0702. 3	G502-6167573	0601. 3
G085-3005380	0309	G154-0140061	0702. 3	G502-6167576	0601. 3
G085-3005760	0302	G154-0140096	0602. 1	G502-6167578	0601. 3
G085-3005780	0309	G154-0279846	0702. 1	G502-6167581	0601. 3
G085-3005920	0301	G154-0340207	0702. 3	G502-6167583	0601. 3
G102-5322952	1401. 1	G154-0367641	0702. 2	G502-6167584	0601. 3
G104-1842779	0602. 1	G154-0369905	0702. 2	G502-6167587	0601. 3
G116-0400320	0601. 1	G154-0369909	0702. 2	G502-6167602	0601. 3
G116-0400771	0607	G154-0382810	0702. 1	G502-6167603	0601. 3

STOCK NUMBER INDEX—Continued

NUMBER	GROUP	NUMBER	GROUP	NUMBER	GROUP
G502-6167605	0601. 3	G503-0217821	1204. 3	G503-6167634	0603
G502-6167606	0601. 3	G503-0217822	0503	G503-6167636	0603
G502-6167607	0601. 3	G503-0232469	0607	G503-6167645	0603
G502-6167610	0601. 3	G503-0295835	0603	G503-6167650	0603
G502-7001046	0602. 3	G503-0295838	0603	G503-6167661	0603
G502-7010671	0602. 1	G503-0314838	1311	G503-7002601	0704
G502-7016453	0601. 3	G503-0314839	{1311	G503-7002980	2202. 1
G502-7329386	0604. 1		{1504	G503-7002981	2202. 1
G502-7337026	0601. 1	G503-0314840	1311	G503-7002982	2202. 1
G502-7702478	0601. 3	G503-0325902	0608	G503-7010485	0304
G502-7702535	0602. 3	G503-0340661	0106. 6	G503-7010486	0304
G502-7702632	0604. 1	G503-0345876	0302	G503-7010624	0609. 1
G502-7702637	0604. 1	G503-0345896	0504	G503-7010675	0601. 1
G502-7702662	0602. 3	G503-0373269	1401	G503-7036544	0802. 3
G502-7702663	0602. 3	G503-0373270	1401	G503-7036567	1401
G502-7702655	{0602. 1	G503-0373279	1401	G503-7036571	0105. 4
	{0602. 3	G503-0373638	0604. 1	G503-7036572	0105. 4
G502-7702664	0602. 3	G503-0384600	2208. 1	G503-7036573	2202. 1
G502-7702739	0602. 1	G503-0384601	1102	G503-7036574	0105. 4
G502-7703778	{0602. 1	G503-0384602	1102	G503-7036575	0304
	{0602. 3	G503-0389782	1202	G503-7036577	0505
G502-7707535	0602. 3	G503-0389783	{1204. 1	G503-7036578	0106. 6
G503-0124253	1311		{0202	G503-7036579	0105. 1
G503-0125800	1202	G503-0389784	1601	G503-7036580	0105. 1
G503-0125801	1202	G503-0389793	1601	G503-7036582	0608
G503-0125900	0608	G503-0389892	1601	G503-7036583	0900
G503-0125901	0608	G503-0393787	0603	G503-7036584	1401
G503-0131476	0105. 3	G503-0393790	0608	G503-7036585	1401
G503-0131548	0604. 1	G503-0400093	0503	G503-7036586	1401
G503-0131549	0501	G503-0407836	0306	G503-7036587	1401
G503-0131592	0301	G503-0407837	0106. 6	G503-7036588	1401
G503-0131675	0800	G503-5214776	0804	G503-7036866	0608
G503-0132455	0106. 6	G503-5214784	0804	G503-7037380	0608
G503-0139784	0605	G503-5214819	0801	G503-7044232	{0802. 5
G503-0139920	0306	G503-5214870	0801		{2208. 1
G503-0145853	1204. 1	G503-5215019	0603	G503-7058922	0615
G503-0145854	1204. 2	G503-5215030	0603	G503-7058923	0615
G503-0145855	1204. 2	G503-5215033	0603	G503-7058924	0615
G503-0152015	0604. 1	G503-5226157	0900	G503-7058927	0615
G503-0169093	0304	G503-5244794	0613. 1	G503-7058931	0615
G503-0169094	0304	G503-5250653	0605	G503-7058932	0615
G503-0183053	0309	G503-5261672	0302	G503-7088715	1604
G503-0194016	0504	G503-5276834	1204. 1	G503-7088755	0608
G503-0194018	0101	G503-5281411	0301	G503-7089574	0201
G503-0194021	0108	G503-5281457	0301	G503-7099459	1804
G503-0194022	0105. 1	G503-5291275	0603	G503-7099460	2202. 2
G503-0194025	0306	G503-5293022	0301	G503-7099461	2202. 2
G503-0194030	0503	G503-5293029	0301	G503-7099792	0304
G503-0194032	0105. 1	G503-5293042	0301	G503-7099909	1504
G503-0194033	0106. 2	G503-5293047	0301	G503-7324684	0603
G503-0194034	0301	G503-5293071	0301	G503-7324773	1804
G503-0194063	0306	G503-5296576	0702. 1	G503-7324775	1804
G503-0196299	0601. 1	G503-5307178	0900	G503-7324834	1204. 1
G503-0211410	0609. 1	G503-5307281	0604. 1	G503-7324836	2202. 1
G503-0211411	0609. 1	G503-5307289	0900	G503-7324837	0304
G503-0217815	0106. 6	G503-5307421	0702. 2	G503-7324838	0105. 1
G503-0217816	0106. 6	G503-5333811	0101	G503-7324839	0105. 1
G503-0217817	0503	G503-5381088	0608	G503-7324840	{0103
G503-0217818	0503	G503-5700002	2202. 1		{0104
G503-0217819	1204. 3	G503-5700003	2202. 1	G503-7324844	0608
G503-0217820	1204. 3	G503-6151311	0603	G503-7324847	1804

STOCK NUMBER INDEX—Continued

NUMBER	GROUP	NUMBER	GROUP	NUMBER	GROUP
G503-7324848	1804	G503-7368268	0306	G503-7698455	2101
G503-7324849	1401. 1	G503-7368269	0306	G503-7698456	1806
G503-7324850	0800	G503-7368270	0306	G503-7698457	1806
G503-7324851	1201 1	G503-7368271	0306	G503-7698458	1808
G503-7324852	{1201. 1	G503-7368272	0306	G503-7698459	1808
	{1201. 2	G503-7368273	0306	G503-7698460	1806
G503-7324874	0104. 1	G503-7368274	0306	G503-7698461	1806
G503-7324917	1201. 1	G503-7368275	0306	G503-7698462	1806
G503-7324918	1201. 1	G503-7520047	1202	G503-7698463	1806
G503-7324920	1004	G503-7697848	1601. 1	G503-7698464	1804
G503-7326117	0106. 6	G503-7697850	1602	G503-7698465	1805
G503-7326118	0202	G503-7697851	1703	G503-7698466	1805
G503-7326119	{1804	G503-7697852	0609. 1	G503-7698467	1805
	{2201	G503-7697853	0612	G503-7698468	1804
G503-7329276	0104	G503-7697854	1501	G503-7698469	1804
G503-7329277	0104	G503-7697855	1201. 1	G503-7698470	1804
G503-7329586	0106. 5	G503-7697856	2210	G503-7698471	1804
G503-7330714	0104	G503-7697858	0609. 1	G503-7698472	1804
G503-7332019	0401	G503-7697859	0609. 1	G503-7698473	1804
G503-7335115	2201	G503-7697860	1604	G503-7698474	1808
G503-7335119	2201	G503-7697861	1601. 1	G503-7698475	1804
G503-7335135	2201	G503-7697862	1601. 1	G503-7698476	2201
G503-7335147	2201	G503-7697863	0501	G503-7698477	2201
G503-7335148	2201	G503-7697865	0613. 1	G503-7698478	2201
G503-7336451	0102	G503-7697866	0613. 1	G503-7698479	2201
G503-7337558	0615	G503-7697867	0607	G503-7698480	2201
G503-7338861	1006	G503-7697868	1501	G503-7698481	2101
G503-7340237	1204. 1	G503-7697869	{0401	G503-7698482	2101
G503-7341364	0607		{1501	G503-7698483	2201
G503-7341366	0603	G503-7697870	1501	G503-7698484	2201
G503-7341765	1501	G503-7697871	1204. 3	G503-7698485	1804
G503-7341766	1501	G503-7697872	1204. 3	G503-7698486	1805
G503-7341767	1501	G503-7697873	1204. 1	G503-7698487	1805
G503-7341768	1501	G503-7697874	1204. 1	G503-7698488	1804
G503-7341775	0613. 1	G503-7697875	1602	G503-7698489	1808
G503-7341800	1312	G503-7697876	0609. 1	G503-7698490	1808
G503-7341811	1808	G503-7698204	0605	G503-7698615	0301
G503-7343030	1401. 1	G503-7698430	1804	G503-7699040	0102
G503-7343032	1604	G503-7698431	1804	G503-7701013	0108
G503-7343076	1601. 1	G503-7698432	1804	G503-7701326	0501
G503-7343079	0104. 1	G503-7698433	1808	G503-7701327	0501
G503-7343086	{0613. 1	G503-7698434	1806	G503-7701328	1800
	{0306	G503-7698435	1806	G503-7701460	0304
G503-7343162	0101	G503-7698436	1808	G503-7701461	0304
G503-7343368	0301	G503-7698437	1808	G503-7702465	0900
G503-7361993	1808	G503-7698438	1703	G503-7702557	0306
G503-7361994	1805	G503-7698439	1703	G503-7702564	0106. 2
G503-7362105	0504	G503-7698440	{1804	G503-7702591	0900
G503-7367859	1401. 1		{2201	G503-7702610	0301
G503-7367861	{1006	G503-7698441	1808	G503-7702631	0900
	{0900	G503-7698442	1806	G503-7702733	0301
G503-7368257	0312	G503-7698443	1806	G503-7702743	1201. 1
G503-7368258	0312	G503-7698444	1806	G503-7702744	1201. 1
G503-7368259	0312	G503-7698445	1806	G503-7702745	1201. 1
G503-7368260	0202	G503-7698447	2201	G503-7703114	1604
G503-7368262	0202	G503-7698448	1501	G503-7703783	0601. 1
G503-7368263	0306	G503-7698449	1501	G503-7703974	1100
G503-7368264	0306	G503-7698450	1501	G503-7703975	0106. 2
G503-7368265	0100	G503-7698451	2101	G503-7703977	0309
G503-7368266	0105. 1	G503-7698452	1808	G503-7704013	0312
G503-7368267	0106. 6	G503-7698454	2101	G503-7704014	0613. 1

STOCK NUMBER INDEX—Continued

NUMBER	GROUP	NUMBER	GROUP	NUMBER	GROUP
G503-7704015	0608	G503-7741427	0105. 4	G503-7744325	1204. 1
G503-7704100	0104. 1	G503-7741429	1703	G503-7744326	1204. 1
G503-7704110	0401	G503-7741430	1703	G503-7744327	1204. 3
G503-7712500	0104. 1	G503-7741431	2101	G503-7744328	0501
G503-7713377	0605	G503-7741432	2101	G503-7744331	0106. 1
G503-7713379	{0605 0613. 1	G503-7743368	0301	G503-7744332	0106. 1
G503-7713387	0612	G503-7743508	2201	G503-7744333	0106. 1
G503-7713390	0102	G503-7743509	2201	G503-7744365	0613. 1
G503-7713391	0601. 3	G503-7743516	0612	G503-7744399	1808
G503-7713392	0505	G503-7743527	0613. 1	G503-7744463	0603
G503-7713393	0615	G503-7743536	2202. 1	G503-7744469	0102
G503-7713394	0615	G503-7743537	0106. 2	G503-7744470	0102
G503-7713396	0608	G503-7743538	2201	G503-7744471	0104. 1
G503-7713397	0612	G503-7743560	2201	G503-7744472	0104. 1
G503-7713401	0601. 3	G503-7743569	0105. 2	G503-7744473	0102
G503-7713402	0505	G503-7743570	1806	G503-7744493	1204. 1
G503-7713415	0603	G503-7743571	1806	G503-7744585	1501
G503-7713416	0612	G503-7743652	0802. 1	G503-7744586	0106. 1
G503-7713418	0612	G503-7743664	1804	G503-7744588	0301
G503-7713588	0607	G503-7743681	0611	G503-7744589	0301
G503-7713899	0601. 3	G503-7743691	1501	G503-7744836	2202. 1
G503-7713900	0601. 3	G503-7743726	0309	G503-7744948	{1102 1002
G503-7713901	0601. 3	G503-7743730	0306	G503-7744949	0104. 1
G503-7713902	0601. 3	G503-7743738	0702. 3	G503-7744950	0104. 1
G503-7713904	0613. 1	G503-7743751	0104. 1	G503-7744951	0104. 1
G503-7717241	0100	G503-7743752	0104. 1	G503-7744952	0104. 1
G503-7721446	2201	G503-7743757	0312	G503-7744982	0501
G503-7734191	0603	G503-7743777	0100	G503-7767292	1806
G503-7734194	0603	G503-7743811	2210	G503-7767293	1401. 1
G503-7734206	1000	G503-7743812	1604	G503-7768200	2210
G503-7734389	0601. 1	G503-7743813	1808	G504-7089882	0611
G503-7734390	1006	G503-7743818	0102	G505-0131799	0603
G503-7734419	0401	G503-7743844	1804	G505-0156045	0603
G503-7740511	1806	G503-7743846	1701	G505-0156055	0802. 5
G503-7740517	0615	G503-7743847	1701	G505-0179571	0603
G503-7740789	1204. 3	G503-7743848	1701	G505-0179982	0603
G503-7740808	1501	G503-7743849	1701	G505-0365732	0603
G503-7740835	1804	G503-7743875	1701	G505-0579385	0603
G503-7741329	1806	G503-7743876	1701	G505-0666927	0603
G503-7741330	1806	G503-7743877	1701	G505-0666927	0601. 3
G503-7741398	0704	G503-7743886	0301	G505-5175240	0604. 1
G503-7741406	0105. 4	G503-7744101	0603	G505-5346771	0603
G503-7741407	0105. 3	G503-7744102	0603	G505-6167638	0603
G503-7741408	0105. 3	G503-7744106	0106. 2	G505-6167640	0603
G503-7741409	0105. 4	G503-7744158	0605	G505-7701926	0601. 1
G503-7741410	0106. 1	G503-7744196	0605	G505-7702730	0601. 3
G503-7741411	0101	G503-7744206	1806	G507-0367615	0602. 3
G503-7741412	0101	G503-7744207	1806	G507-0367616	{0602. 1 0602. 3
G503-7741414	0105. 4	G503-7744208	1806	G507-5175283	{0601. 3 0602. 1
G503-7741415	0105. 4	G503-7744209	1806	G507-5175364	0604. 1
G503-7741416	0104. 1	G503-7744246	0105. 3	G507-5307283	0604. 1
G503-7741417	0104. 1	G503-7744283	0603	G507-5308240	{0601. 3 0601. 1
G503-7741418	0105. 3	G503-7744210	1806	G507-5308275	0603
G503-7741419	0105. 4	G503-7744253	1805	G507-5346740	0301
G503-7741420	0105. 1	G503-7744255	2208. 1	G507-5346767	0604. 1
G503-7741421	0105. 1	G503-7744267	0106. 1	G507-5346768	0604. 1
G503-7741423	0201	G503-7744273	0800	G507-5346774	0604. 1
G503-7741424	0201	G503-7744275	0302	G507-5346775	0604. 1
G503-7741425	0103	G503-7744283	0603		
G503-7741426	0105. 4	G503-7744285	0105. 3		
		G503-7744319	0105. 2		
		G503-7744320	0105. 2		
		G503-7744324	0106. 1		

STOCK NUMBER INDEX—Continued

NUMBER	GROUP	NUMBER	GROUP	NUMBER	GROUP
G507-5346776	0604. 1	0340-14384	1601	2300-415442	0609. 1
G507-5346784	0604. 1	0340-14385	1601	2580-1848532	0603
G507-5618349	0602. 3	0340-14386	1601	2760-5941	0605
G507-6167579	{0601. 1	0340-14408	1601. 1	2980-IAD12	0604. 1
	{0601. 3	0340-14409	1601. 1	2980-GEG-31	0601. 1
G507-6167596	0604. 1	0523-TD2817	0201	2980-EBA46	0603
G507-6167639	0603	0523-TP285-1	0201	2980-MZ51	0603
G507-7324173	0604. 1	0820-41876	1202	2980-GDJ73	0601. 3
G507-7702464	0604. 1	0820-45771	1202	2980-MZ74	0603
G507-7702475	0602. 1	0820-47047	1202	2980-GBF79	0601. 1
	{0604. 1	0820-47048	1202	2980-GCE125	0601. 1
G507-7324174	{0602. 1	0820-47050	1202	2980-IGB202S	0604. 1
	{0602. 3	0820-47051	1202	2980-IGB350S	0604. 1
G507-7702476	0602. 1	0820-47054	1202	2980-SP443	0601. 3
G507-7702479	0602. 1	0820-47656	1201. 2	2980-SP484AS	0601. 1
	{0602. 3	0820-47661	1201. 2	2980-SP484	0601. 1
G507-7702608	{0602. 1	0820-47667	1201. 2	2980-IAD1004	0604. 1
G507-7702609	0602. 1	0820-47668	1201. 2	2980-MZ1008	0603
G507-7702613	0602. 1	0820-47669	1201. 2	2980-MZ1009B	0603
	{0602. 1	0820-47670	1201. 2	2980-MZ1009	0603
G507-7702642	{0602. 3	0820-47674	1201. 2	2980-MZ-1024	0603
	{0602. 1	0820-47675	1201. 2	2980-PS1079A	0603
G507-7702645	{0602. 3	0820-47676	1201. 2	2980-IGS1080	0604. 1
	{0602. 1	0820-47677	1201. 2	2980-SPS1100R	2208. 1
G507-7702646	{0602. 3	0820-47678	1201. 2	2980-IGC1132LB	0604. 1
	{0602. 1	1500-1A55	0301	2980-IG1324D	0604. 1
G507-7702666	0602. 1	1500-2-89	0301	2980-IG1798S	0605
G508-5160316	0900	1500-11B35	0301	2980-IAD2004	0604. 1
G508-5160323	1204. 1	1500-11B79	0301	2980-IAD2015	0604. 1
G508-5214539	1204. 1	1500-20-26	0301	2980-MZ2089	0603
G508-7000419	0608	1500-20-61	0301	2980-GEG2134F	0601. 1
G508-7362371	1204. 1	1500-21-74S	0301	2980-IGS2134L	0604. 1
G508-7703774	0309	1500-25-93S	0301	2980-IGS2134LA	0604. 1
G508-7740835	1804	1500-3-465S	0301	2980-IGS-2135	0604. 1
G509-0131990	0106. 2	1500-43-67	0301	2980-MZ2156	0603
G513-7088753	0605	1500-6-3125	0301	2980-IGC2168L	0604. 1
	{0613. 1	1500-7-116S	0301	2980-X2878	0604. 1
G518-7000997	{0106. 2	1500-11B105	0301	2980-IAD4008	0604. 1
	{2202. 2	1500-11B125S	0301	2980-EBA4611	0603
	{2208. 1	1500-11B127S	0301	2980-EB8506	0603
G518-7001402	0605	1500-114-21S	0301	2980-EB8507	0603
G523-0137984	0304	1500-121-73	0301	2980-1100LB1	0604. 1
G529-0446892	1311	1500-12-255	0301	2980-IAD1100LB1	0604. 1
G529-7010531	1503	1500-14-246S	0301	3320-GPW1027	1311
G529-7338991	0613. 1	1500-146-95S	0301	3320-GPW2250	{0304
G532-7744158	0106. 2	1500-150-97	0301		{1204. 3
G540-7091769	1804	1500-150-98	0301	3320-GPW2263	1204. 3
G540-7337495	0602. 1	1500-53A168S	0301	3320-GPW2264	1204. 3
G540-7365352	0900	1500-53A251S	0301	3320-GPW2265	1204. 3
G544-0788832	0617	1500-61-119	0301	3320-GPW2266	1204. 3
G571-7698344	0617	1500-61-169	0301	3320-GPW2267	1204. 3
G716-7734834	0601. 1	1500-61-171	0301	3320-GPW2268	1204. 3
0040-1521880	0302	1500-61-190	0301	3320-GPW2298	1204. 3
0040-1521960	0302	1500-61272	0301	3320-GPW2614	1201. 2
0040-1521985	0302	1500-62-135S	0301	3320-GPW2635	{1201. 1
0040-1523744	0302	1500-75-547	0301		{1201. 2
0040-1538312	0302	1500-101-150S	0301	3320-GPW2659	1201. 1
0340-14257	1601. 1	1500-117-106	0301	3320-GPW2774	1201. 2
0340-14312	1601. 1	1500-120-151S	0301	3320-GPW2780	1201. 1
0340-14313	1601. 1	2300-CB11200	0609. 1	3320-GPW2782	{1201. 1
0340-14375	1601	2300-415342	0609. 1		{1201. 2
0340-14376	1601				

STOCK NUMBER INDEX—Continued

NUMBER	GROUP	NUMBER	GROUP	NUMBER	GROUP
3320-GPW2784	1201. 2	3320-GPW5463	1601. 1	3320-GPW6308	0102
3320-GPW2793	1201. 1	3320-GPW5464B	1601. 1	3320-GPW6310	0102
3320-GPW2848	1201. 1	3320-GPW5468	1601. 1	3320-GPW6312	0102
	1201. 2	3320-GPW5560B	1601	3320-GPW6319	0102
3320-GPW2853	1201. 1	3320-GPW5564	1601	3320-GPW6326	0102
3320-GPW2853B	1201. 2	3320-GPW5565	1601	3320-GPW6331A	0102. 1
3320-GPW3131	1401	3320-GPW5566	1601	3320-GPW6331B	0102. 1
3320-GPW3226	1006	3320-GPW5587B	1602	3320-GPW6331C	0102. 1
3320-GPW3227	1006	3320-GPW5587	1602	3320-GPW6331D	0102. 1
3320-GPW3304B	1401	3320-GPW5588	1602	3320-GPW6333A	0102. 1
3320-GPW3323	1401	3320-GPW5590	1602	3320-GPW6333B	0102. 1
3320-GPW3325	1004	3320-GPW5590B	1602	3320-GPW6333C	0102. 1
3320-GPW3327	1006	3320-GPW5602	1602	3320-GPW6337A	0102. 1
	1501	3320-GPW5604	1602	3320-GPW6337B	0102. 1
3320-GPW3509	1401. 1	3320-GPW5605	1602	3320-GPW6337C	0102. 1
3320-GPW3521	1401. 1	3320-GPW5607	1602	3320-GPW6337D	0102. 1
3320-GPW3563	1401. 1	3320-GPW5608	1601. 1	3320-GPW6338A	0102. 1
3320-GPW3590	1401. 1	3320-GPW5609	1602	3320-GPW6338B	0102. 1
3320-GPW3600A	1401. 1	3320-GPW5610	1602	3320-GPW6338C	0102. 1
3320-GP4533	0900	3320-GPW5705	1601. 1	3320-GPW6338D	0102. 1
3320-GPW4605	0900	3320-GPW5705B	1601. 1	3320-GPW6339A	0102. 1
3320-GPW4863	0802. 3	3320-GPW5705C	1601. 1	3320-GPW6339B	0102. 1
3320-GPW5019	1501	3320-GPW5724B	1601	3320-GPW6339C	0102. 1
3320-GPW5084	0800	3320-GPW5724A	1601	3320-GPW6339D	0102. 1
3320-GPW5165	0612	3320-GPW5781	1601	3320-GPW6341A	0102. 1
3320-GPW5230C	0401. 1	3320-GPW6005	0100	3320-GPW6341B	0102. 1
3320-GPW5233	0401. 1	3320-GPW6016	0105. 4	3320-GPW6341C	0102. 1
3320-GPW5245B	0401. 1	3320-GPW6020	0105. 4	3320-GPW6342B	0102
3320-GPW5246	0401	3320-GPW6031	0105. 4	3320-GPW6342A	0105. 4
3320-GPW5246B	0401	3320-GPW6038	0100	3320-GPW6345	0102
3320-GPW5251	0401	3320-GPW6040A	0100	3320-GPW6353	0102
3320-GPW5251B	0401. 1	3320-GPW6040B	0100	3320-GPW6369	0102. 1
3320-GPW5253	0401. 1	3320-GPW6043	0100	3320-GPW6375	0103
3320-GPW5262	0401	3320-GPW6044	0100	3320-GPW6384	0103
	0401. 1	3320-GPW6050	0101	3320-GPW6387	0103
3320-GPW5264A	0401	3320-GPW6054	0105. 4	3320-GPW6390	0103
3320-GPW5264B	0401	3320-GPW6065	0101	3320-GPW6392	0103
	0401. 1	3320-GPW6066	0101	3320-GPW6500A	0105. 2
3320-GPW5265	0401. 1	3320-GPW6067	0101	3320-GPW6510B	0105. 1
3320-GPW5266	0401. 1	3320-GPW6105A	0104	3320-GPW6511B	0105. 1
3320-GPW5269	0401	3320-GPW6105C	0104	3320-GPW6513	0105. 1
3320-GPW5270	0401	3320-GPW6105D	0104	3320-GPW6514	0105. 1
	0401. 1	3320-GPW6110C	0104	3320-GPW6520	0105. 1
3320-GPW5274	0401	3320-GPW6110D	0104	3320-GPW6546	0105. 1
	0401. 1	3320-GPW6135A	0104	3320-GPW6549B	0105. 2
3320-GPW5283	0401	3320-GPW6135D	0104	3320-GPW6552B	0105. 2
	0401. 1	3320-GPW6149E	0104	3320-GPW6600	0106. 1
3320-GPW5298	0401	3320-GPW6149H	0104	3320-GPW6608	0106. 1
3320-GPW5310B	1601	3320-GPW6200	0104. 1	3320-GPW6610	0106. 1
3320-GPW5313A	1601	3320-GPW6201	0104. 1	3320-GPW6614	0106. 1
3320-GPW5315A	1601	3320-GPW6210A	0104	3320-GPW6617	0106. 6
3320-GPW5316B	1601	3320-GPW6211A	0104. 1	3320-GPW6619	0106. 1
3320-GPW5316A	1601	3320-GPW6211B	0104. 1	3320-GPW6625	0106. 1
3320-GPW5333A	1601	3320-GPW6211C	0104. 1	3320-GPW6627	0106. 6
3320-GPW5333B	1601	3320-GPW6243	0105. 3	3320-GPW6628	0106. 1
3320-GPW5337	1501	3320-GPW6244	0105. 3	3320-GPW6630	0106. 1
3320-GPW5345B	1601	3320-GPW6245	0105. 3	3320-GPW6642	0106. 1
3320-GPW5453	1601. 1	3320-GPW6262A	0105. 3	3320-GPW6644	0106. 1
3320-GPW5453B	1601. 1	3320-GPW6269	0105. 4	3320-GPW6648	0106. 5
3320-GPW5455B	1601. 1	3320-GPW6287	0102	3320-GPW6654	0106. 1
3320-GPW5456	1601. 1	3320-GPW6288	0105. 4	3320-GPW6659	0106. 1

STOCK NUMBER INDEX—Continued

NUMBER	GROUP	NUMBER	GROUP	NUMBER	GROUP
3320-GPW6663	0106. 1	3320-GPW9237	0306	3320-GPW11495	0312
3320-GPW6664	0106. 1	3320-GPW9237B	0306	3320-GPW12091A	0605
3320-GPW6673	0106. 1	3320-GPW9282	0306	3320-GPW12283	0605
3320-GPW6675	0106. 6	3320-GPW9316	0106. 6	3320-GPW12284	0605
3320-GPW6684	0106. 1	3320-GPW9323	0106. 6	3320-GPW12286	0605
3320-GPW6700	0102	3320-GPW9325	0106. 6	3320-GPW12287	0605
3320-GPW6701	0102	3320-GPW9369	0306	3320-GPW12298B	0605
3320-GPW6702	0102	3320-GPW9424	0108	3320-GPW13075	0609. 1
3320-GPW6710	0106. 6	3320-GPW9424B	0108	3320-GPW13076	0609. 1
3320-GPW6734	0106. 6	3320-GPW9426	0108	3320-GPW13150	0609. 1
3320-GPW6756	0106. 5	3320-GPW9428	0108	3320-GPW13150C	0609. 1
3320-GPW6758B	0106. 5	3320-GPW9435	0108	3320-GPW13175C	0609. 1
3320-GPW6762	0106. 5	3320-GPW9443	0108	3320-GPW13209B	0609. 1
3320-GPW6763A	0106. 6	3320-GPW9447	0301	3320-GPW13410	0609. 1
3320-GPW6763C	0106. 6	3320-GPW9450	0401	3320-GPW13710	0607
3320-GPW6766C	0106. 6	3320-GPW9456	0108	3320-GPW13802	0611
3320-GPW6769	0106. 5	3320-GPW9458	0108	3320-GPW13831	0611
3320-GPW6771	0304	3320-GPW9460	0108	3320-GPW14300	0613. 1
3320-GPW6789	0106. 6	3320-GPW9462	0108	3320-GPW14300B	0613. 1
3320-GPW7007	0103	3320-GPW9463	0108	3320-GPW14301	0612
3320-GPW7015	0702. 1	3320-GPW9465	0108	3320-GPW14303	0615
3320-GPW7023	0105. 4	3320-GPW9467	0108	3320-GPW14305D	0613. 1
3320-GPW7092	0900	3320-GPW9467A	0108	3320-GPW14305	0613. 1
3320-GPW7503	0202	3320-GPW9484	0108	3320-GPW14321	0605
3320-GPW7512	0202	3320-GPW9627A	0306	3320-GPW14401D	0613. 1
3320-GPW7515	0202	3320-GPW9628	0304	3320-GPW14401F	0613. 1
3320-GPW7516	0202	3320-GPW9632	0304	3320-GPW14402A	0613. 1
3320-GPW7517	0202	3320-GPW9633	0304	3320-GPW14402B	0613. 1
3320-GPW7518	0701	3320-GPW9637B	0304	3320-GPW14407A	0613. 1
3320-GPW7520	0202	3320-GPW9637A	0304	3320-GPW14407C	0613. 1
3320-GPW7521	0202	3320-GPW9652B	0304	3320-GPW14407B	0613. 1
3320-GPW7530	0202	3320-GPW9686	0304	3320-GPW14425	0613. 1
3320-GPW7532	0202	3320-GPW9686B	0304	3320-GPW14425B	0613. 1
3320-GPW7539	0202	3320-GPW9700	0312	3320-GPW14431	0603
3320-GPW7545	0202	3320-GPW9719	0312	3320-GPW14432	0613. 1
3320-GPW7561	0202	3320-GPW9726	0312	3320-GPW14446	0613. 1
3320-GPW7562	0202	3320-GPW9727	0312	3320-GPWS14447	0612
3320-GPW7563	0201	3320-GPW9730	0312	3320-GPW14448A	0608
3320-GPW7600	0201	3320-GPW9731B	0312	3320-GPW14448C	0608
3320-GPW7700B	0800	3320-GPW9735A	0312	3320-GPW14448D	0608
3320-GPW7704B	0800	3320-GPW9735B	0312	3320-GPA14450C	0612
3320-GPW7726	0802. 3	3320-GPW9737	0312	3320-GPA14451C	0612
3320-GPW7747	0802. 3	3320-GPW9739	0312	3320-GPW14465	0613. 1
3320-GPW7768	0801	3320-GPW9742	0312	3320-GPW14487A	0613. 1
3320-GPW7768B	0801	3320-GPW9752	0309	3320-GPW16892	1703
3320-GPW7781A	0800	3320-GPW9775B	0312	3320-GPW17255	2208. 1
3320-GPW8005	0501	3320-GPW9778	0312	3320-GPW18288	0102
3320-GPW8240	0102	3320-GPW9795	0312	3320-GPW18289	0103
3320-GPW8250	0503	3320-GPW9799	0312	3320-GPW18330A	0104. 1
3320-GPW8269	0503	3320-GPW10129	0601. 1	3320-GPW18330B	0104. 1
3320-GPW8284	0503	3320-GPW10143	0601. 1	3320-GPW18330C	0104. 1
3320-GPW8290	0503	3320-GPW10153A	0601. 1	3320-GPW18347	0102. 1
3320-GPW8505	0504	3320-GPW10155	0601. 1	3320-GPW18348	0102. 1
3320-GPW8509A	0505	3320-GPW10162	0601. 1	3320-GPW18349	0102. 1
3320-GPW8512	0504	3320-GPW10166	0601. 1	3320-GPW18350	0102. 1
3320-GPW8524	0504	3320-GPW10176	0601. 1	3320-GPW18663	0106. 2
3320-GPW8576	0504	3320-GPW10177	0601. 1	3320-GPW18840	0615
3320-GPW8578	0503	3320-GPW10178A	0601. 1	3320-GPW18846	0613. 1
3320-GPW9002C	0306	3320-GPW11134	0603	3320-GPW18849	0615
3320-GPW9030B	0306	3320-GPW11140	0603		
3320-GPW9211	0306	3320-GPW11474	0312		

STOCK NUMBER INDEX—Continued

NUMBER	GROUP	NUMBER	GROUP	NUMBER	GROUP
3320-GPW18850	0615	5960-C5509	0201	8080-S638	{1002
3320-GPW18852	0615	6960-C5510	0201		{1102
3320-GPW18853	0615	6855-613300	0304	8080-690W	0802. 2
3320-GPW18854	0615	6855-613306	0304	8080-710W	0802. 3
3320-GPW18857	0615	7640-T13086	1401. 1	8080-715W	{0802. 3
3320-GPW18858	0615	7640-020122	1401. 1		{0900
3320-GPW18859	0615	7640-021116	1401. 1	8080-854D	0804
3320-GPW18871	0615	7640-025060	1401. 1	8080-S953	1006
3320-GPW18872	0615	7640-026988	1401. 1	8080-S957	1004
3320-GPW18873	0615	7640-028093	1401. 1	8080-10B18	1201. 1
3320-GPW18874	0615	7640-029046	0611	8080-10S18	1201. 1
3320-GPW18876B	0615	7640-029049	0611		{0900
3320-GPW18876	0615	7640-033046	1401. 1	8080-S1056	{1006
3320-GPW18935B	0615	7640-033047	1401. 1		{0802. 3
3320-GPW18937	0615	7640-033048	1401. 1	8080-S1106	1401
3320-GPW18937B	0615	7640-051033	0611	8080-1244	0802. 3
3320-GPW18938B	0615	7640-051035	0611	8080-18-5-1	0802. 2
3320-GPW18960	0615	7640-063011	1401. 1	8080-18-8-1	0802. 3
3320-73869S	1201. 2	7640-063012	1401. 1	8080-18-8-2	0802. 3
3320-GPW131410	0609. 1	7640-063991	0611	8080-18-8-7	0802. 1
3320-350280S	0801	7640-063996	1401. 1	8080-20B62	1201. 1
3320-350281S	0801	7640-T126000	1401. 1	8080-K2-1-28	0802. 3
3320-350282S	0801	7640-T129001	1401. 1	8080-K2-1-28X	0802. 3
3320-351505S	1604	7640-401090	1401. 1	8080-K2-4-88X	0900
3320-355499S	0105. 4	7640-401100	1401. 1	8080-39Q20	{0704
		7640-401107	0611		{0804
3320-355597S	{0103	7640-450054	0611	8080-5815X	1201. 1
	{0700	7640-502282	1401. 1	8080-5866X	0802. 3
3320-355741S	0800	7640-502540	1401. 1	8080-5900X	1201. 1
3320-355752S	1201. 1	7640-503284	1401. 1	8080-5951X	0806. 5
3320-356299S	0608	7640-503308	1401. 1	8080-5962X	0802. 3
3320-356403S	1201. 2	7640-828732	0611	8080-S638-1	{1002
3320-356561S	0202	7640-7698-4-5-8	1401. 1		{1102
3320-746038	0800	8080-S58	{1002	8080-S638-2	{1002
3320-78-3332A	1401		{1102		{1102
3320-GPW1101735A	1805	8080-S59	{1002	8080-S638-3	{1002
3320-GPW1103010	1804		{1102		{1102
3320-GPW1103014	1804	8080-S74	{1002	8080-6563X	1201. 2
3320-GPW1103027	1703		{1102	8080-8996SF	0900
3320-GP1103106	1804	8080-S75	{1002	8080-8997SF	0900
3320-GP1103302	1804		{1102	8080-13439	1401
3320-GP1103304	1804	8080-S112	{1002	8080-13449	{1002
3320-GP1103310	1804		{1102		{1102
3320-GPW111128-6A	1805	8080-S113	{1002	8080-13575	{1002
3320-11A14452	0612		{1102		{1102
3320-21CS1768-2B	2202	8080-S114	{1002	8080-15099	{1002
3320-352690S7	1201. 2		{1102		{1102
3320-355164S2	0603	8080-124J	0900	8080-15367	{1002
3320-GPW3554555	0601. 1	8080-153SP	1201. 1		{1102
3320-356371S7	0601. 1	8080-S171	{1002	8080-15926	{1002
3320-GPW1101-1735A	0804		{1102		{1102
3320-81W811189	1804	8080-232SP	1201. 1	8080-16075	{1002
3320-G8T8103-074B	1804	8080-363SP	0804		{1102
3320-99W81033-11	1804	8080-373J	1201. 1	8080-16383	{1002
4410-T60B	1503	8080-3Q74	1201. 1		{1102
5200-24568	1311	8080-4B26	1201. 1	8080-16385	{1002
5200-24569	1311	8080-433D	0804		{1102
5200-25646	1312	8080-5B15	1201. 1	8080-16409	{1001
5200-25647	1312	8080-5B16	1201. 1		{1100
5200-25693	1311	8080-634D	0801	8080-16412X	{1002
5200-25917	1311				{1102
5960-CM5508	0201				

STOCK NUMBER INDEX—Continued

NUMBER	GROUP	NUMBER	GROUP	NUMBER	GROUP
8080-16866	1102	8080-18-67-5	0804	9240-FC5997	1204. 2
	1102	8080-2051-1	1100	9240-FC5998	1204. 2
8080-16968X	1002	8080-K24108X	0900	9240-FC6003	1204. 2
	1102			9240-FC6007	1204. 1
8080-16969X	1002	8080-16322-2	1002	9240-FC6009	1204. 1
	1102		1102	9240-FC6011	1204. 1
8080-16976	1001	8080-16323-2	1102	9240-FC8778	1204. 2
	1100	8080-16992-1	1004	9410-AS2T84J	0700
8080-16979	1001	8080-16992-2	1004	9410-AT84J1A	0701
	1100	8080-16992-3	1004	9410-T84H2	0702. 2
8080-16983	1004	8080-16992-4	1004	9410-AT84H2	0702. 2
8080-16991	1004	8080-17120-3X	1006	9410-AC84J2A	0704
8080-17003	1004	8080-17122-3	1006	9410-T84J6	0702. 1
8080-17015	1311	8080-17122-4	1006	9410-T84J8	0702. 3
8080-17016	1311	8080-17155-1	1006	9410-AT84J8	0702. 3
8080-17017	1311	8080-17155-2	1006	9410-1AT84H2	0702. 2
8080-17019	1004	8080-17295-1	1401	9410-4496K	0704
8080-17041	1004	8080-17295-2	1401	9410-4497	0704
8080-17046X	1401	8080-18-155-2	0801	9410-4498K	0704
8080-17047X	1401	8080-18-187-1	0802. 2	9410-4611	0704
8080-17048X	1004	8080-18-19-18	0801	9410-4684	0701
8080-17071	1312	8080-18-223-2	0801	9410-4686	0702. 2
8080-17121X	1006	8080-18-223-3	0802. 3	9410-C8-2-1-2	0704
8080-17133X	1004	8080-18-228-7	0801	9410-AT84F10A	0702. 3
8080-17135X	1004	8080-18-228-8	0801	9410-T84F11A	0702. 2
8080-17146	1102	8080-18-228-9	0801	9410-T84F12A	0702. 2
8080-17153	1006	8080-18-267-4	0801	9410-C84B12A	0704
8080-17202X	1004	8080-18-324-2	0801	9410-T84F15	0702. 2
8080-17205	1401	8080-18-352-5	0801	9410-T84J16A	0702. 1
8080-17210	1401	8080-18-362-3	0802. 3	9410-T84C19	0702. 2
8080-17211	1401	8080-18-381-2	0802. 3	9410-T84J20A	0704
8080-17213	1401	8080-18-452-2	0802. 5	9410-T84J21A	0704
8080-17214	1401	8080-18-453-3	0802. 5	9410-T84-22	0704
8080-17215	1401	8080-18-454-2	0802. 5	9410-T84C23A	0704
8080-17216	1006	8080-18-466-1	0802. 3	9410-T84C24A	0704
8080-17218	1006	8080-25Q1055	0804	9410-T84B25	0704
8080-17221	1004	8080-25Q1056	0804	9410-AT84J25	0704
8080-17222	1004	8080-31-246-2	0802. 2	9410-T84-29	0702. 3
8080-17224	1006	8080-6-73-122	1201. 2	9410-T84-30	0704
8080-17226X	1101	8080-6-73-124	1006	9410-T84-31	0704
8080-17229	1006		1102	9410-T84J31	0702. 3
8080-17230	1006	8080-6-73-513	1202	9410-T84B32	0704
8080-17231	1006	8080-22-381-19	0802. 3	9410-T84-42	0704
8080-17232	1006	8080-6-73-1117	1004	9410-T84J50½A	0802. 1
8080-17233	1006	8604-8E-1000	0106. 2		0802. 2
8080-17301X	1004	8800-728-2	2202. 1	9410-T84J86A	0804
8080-17302X	1004	9240-FC1511	1204. 3	9410-T84-115	0704
8080-17307	1401	9240-FC2917	1204. 1	9410-T84H137	0702. 2
8080-17310X	1001	9240-FC2918	1204. 1	9410-T84D145C	0700
8080-17347	1401	9240-FC2926	1204. 1	9410-T84A148	0704
8080-18-12-1	0804	9240-FC3023	1204. 2	9410-1AT84J2-1-2	0702. 2
8080-18-15-9	0801	9240-FC3678	1204. 1	9410-4229A138A	0702. 2
8080-18-16-3	0801	9240-FD4564	1204. 1	9410-4299A137A	0702. 2
8080-18-19-8	0801	9240-FC5555	1204. 3	9410-T84H137-12	0702. 2
8080-18-24-1	0802. 3	9240-FC5727	1204. 1	9680-A450	1202
8080-18-24-4	1201. 2	9240-FC5778	1204. 3	9680-A472	1312
8080-18-66-1	0804	9240-FC5795	1204. 3	9680-A621	1401
8080-18-66-7	0804	9240-FC5992	1204. 2	9680-A1096	0605
8080-18-67-2	0804	9240-FC5993	1204. 2	9680-A1203	1501

STOCK NUMBER INDEX—Continued

NUMBER	GROUP	NUMBER	GROUP	NUMBER	GROUP
9680-A1388	0100	9680-A17337	0601. 1	45-F-451	0202
9680-A6853	0312		0613. 1		0604. 1
9680-A6941	0501	9680-635886	0605	45-C-9272	0900
9680-A6942	0501	9680-637615	0604. 1	45-V-18129-3	0900
9680-A8101	0401	9680-640070	0104. 1	45-F-406-150	0804
9680-A9086	0401. 1	8604-8E1000	0106. 2		1204. 1
	0602. 1	42-E-4060	2201	45-F-448-200	1401
9680-A17282	0602. 3	42-C-6620	2201		1601. 1
	0603	45-F-430	1601. 1		

DEPARTMENT OF THE ARMY
WASHINGTON 25, D. C., 14 October 1949

Department of the Army Supply Catalog, ORD 9 SNL G-503, is published for the information and guidance of all concerned.

[AG 461 (15 Sep 49)]

BY ORDER OF THE SECRETARY OF THE ARMY:

OFFICIAL:

• EDWARD F. WITSELL
Major General
The Adjutant General

J. LAWTON COLLINS
Chief of Staff, United States Army

DISTRIBUTION:

Tech Sv (2) except 9 (52); Arm & Sv Bd (2); AFF (2); OS Maj Comd (10); Base Comd (2); MDW (5); A (ZI) (18), (Overseas) (3); CHQ (2); D (2); R 9 (2); Bn 9 (2); C 9 (2); FC (1); Sch (5) except 9 (50); Gen Dep (1); Dep 9 (3); PE (Ord O) (5), OSD (1); PG 9 (3); Ars 9 (3); Dist 9 (3);
SPECIAL DISTRIBUTION.

For explanation of distribution formula, see SR 310-90-1

CONTENTS

	Page
INTRODUCTION.....	1
01 ENGINE.....	21
02 CLUTCH.....	47
03 FUEL SYSTEM.....	56
04 EXHAUST SYSTEM.....	76
05 COOLING SYSTEM.....	83
06 ELECTRICAL SYSTEM.....	100
07 TRANSMISSION.....	148
08 TRANSFER.....	158
09 PROPELLER SHAFT.....	168
10 FRONT AXLE.....	176
11 REAR AXLE.....	191
12 BRAKES.....	202
13 WHEELS.....	218
14 CONTROLS.....	222
15 FRAME.....	231
16 SPRINGS AND SHOCK ABSORBERS.....	241
17 FENDERS AND HOOD.....	249
18 BODY.....	254
21 BUMPERS AND GUARDS.....	270
22 MISCELLANEOUS EQUIPMENT.....	274
NOTES.....	280
ALPHABETICAL INDEX.....	281
ORDNANCE AND MANUFACTURERS' PART NUMBER INDEX.....	290
STOCK NUMBER INDEX.....	321

