



Pat. <sup>L4-29</sup>  
**PRICE LIST**

**SPECIAL MODEL**  
**— G.P. ¼ TON —**  
**80" WHEELBASE**  
**4 WHEEL DRIVE (4X4)**  
**2 AND 4 WHEEL**  
**STEERING**

***FOR U.S. GOVERNMENT***

*Ford Motor Company*  
 DEARBORN,      OCTOBER 1941      MICHIGAN.

# FORD MOTOR COMPANY

DEARBORN, MICH.

## AMERICAN WHOLESALE BRANCHES

Alexandria, Va.	Dallas	Jacksonville	Omaha
Atlanta	Dearborn, Mich.	Kansas City, Mo.	Pittsburgh
Buffalo	Denver	Long Beach, Calif.	Richmond, Calif.
Charlotte, N. C.	Des Moines	Louisville	St. Louis
Chester, Pa.	Edgewater, N. J.	Memphis	Salt Lake City
Chicago	Fargo	Milwaukee	Seattle
Cincinnati	Green Island, N. Y.	New Orleans	Somerville, Mass.
Cleveland	Houston	Norfolk	Twin City (St. Paul, Minn.)
	Indianapolis	Oklahoma City	

## Instructions for Ordering Parts

- 1—Always give Part Number and Name of each part ordered.
- 2—Specify whether shipments are to be made by freight, express or parcel post.

## Telegraph Code

We list below a brief General Code covering miscellaneous instructions relative to the shipment of parts.

**Angra**—Express at once—

**Booba**—Ship fast freight—

**Anile**—Express direct to—

**Beaga**—Post today sure.

**Brewa**—Advise how and when shipping.

\*\* Manufacturers List Price not subject to regular discount.

\* Not subject to regular discount.

# See Forms 7133-4-5 or 6 for Net Price.

# SGV TD

## INDEX TO GROUP NUMBERS

SERIES	GROUP	SERIES	GROUP
1000-1250	Wheels, Hubs & Rims	9904-9974	Carburetor
1351-1499	Spare Wheel Carrier	10000-10449	Generator
1500-1723	Tires	10500-10649	Cutout
2006-2449	Brakes (Service)	10650-10848	Battery
2450-2553	Brake (Controls)	10849-10899	Instrument Cluster & Ammeter
2594-2872	Brakes (Emergency)	11000-11516	Starter Motor
3000-3451	Front Axle	11648-11688	Lighting Switch
3500-3743	Steering Gear	12000-12327	Ignition Coil, Distributor, Condenser
4000-4799	Rear Axle	12405-12425	Spark Plug
4800-4999	Coupling Shaft	13002-13399	Head, Fender & Cowl Lamps
5000-5149	Frame & Brackets	13400-13799	Lighting Stop, Tail & Dome Lights
5150-5224	Battery Brackets & Parts	13800-13899	Horn
5225-5299	Muffler & Exhaust Pipe	14054-14621	Wiring
5300-5515	Front Springs	16000-16149	Front Fender
5550-5818	Rear Springs	16150-16449	Rear Fender
6000-6928	Engine	16450-16524	Running Board
7000-7449	Transmission	16525-16599	Running Board Shields
7500-7646	Clutch	16600-16799	Hood
8000-8499	Radiator	17003-17088	Tools
8500-8599	Water Pump Assy	17250-17499	Speedometer
8600-8633	Fan	17500-17674	Windshield Wiper
9002-9269	Fuel Tank	17750-17999	Bumpers
9270-9420	Fuel Pump	18000-18199	Shock Absorber
9421-9499	Manifolds, Clamps, etc.	18400-18600	Miscellaneous Accessories
9500-9699	Carburetor	18650-18675	Oil Filter
9700-9828	Acc. Spark & Throttle Control Rods		



# INDEX

## MODEL GP CHASSIS PARTS



A	Page
Accelerator.....	41
Air Cleaner.....	59
Axle-Front(2 & 4 Whl.Steering)...	7
Axle-Rear(2 Wheel Steering).....	14
Axle-Rear(4 Whl.Strg.).....	7

### B

Battery.....	43
Battery Clamp.....	18
Brake Controls-Emergency.....	5
Brake Controls-Service.....	5
Brake Drums.....	1
Brake Lever-Hand.....	5
Brake-Service.....	1
Bumper-Front.....	56
Bumper-Rear.....	57

### C

Camshaft.....	22
Carburetor.....	39
Chain-Tire.....	59
Clutch.....	29
Coil-Ignition.....	45
Condenser.....	45
Connecting Rod.....	22
Control-Choke & Throttle.....	41
Crankshaft.....	22
Cylinder.....	21

### D

Distributor.....	45
Drive-Starter.....	44

F	Page
---	------

Fan.....	35
Fenders.....	54
Filter (Oil).....	59
Flywheel.....	25
Frame.....	16
Fuel System.....	36

### G

Gauge-Fuel.....	43
Gauge-Oil Pressure.....	43
Gear Shift.....	29
Generator.....	42
Guard Brush.....	34

### H

Hood.....	55
Horn.....	52
Hub & Drum.....	1

### I

Indicator-Generator Charge.....	43
Indicator-Temperature.....	43
Instrument Cluster.....	43

### L

Lamp-Head.....	48
Lamp-Headlamp Indicator.....	52
Lamp-Instrument Panel.....	52
Lamp-Rear.....	50
Lamp-Head (Blackout).....	48

## INDEX-Continued

	Page	Page
<b>M</b>		<b>Standard Parts-Numerical List 66-7</b>
Manifolds.....	37	Starter Drive.....44
Mirror-Rear View.....	56	Starter Motor..... 43
Muffler.....	19	Steering Gear..... 11
		Switch-Lighting..... 45
<b>P</b>		Switch-Starter..... 45
Pan-Engine.....	25	Switch-Headlamp Dimmer..... 52
Pan-Oil.....	25	
Piston.....	22	<b>T</b>
Pump-Fuel.....	37	Tank-Fuel.....36
Pump-Oil.....	25	Tools..... 55
Pump-Water.....	35	Transmission..... 26
Pintle Hook.....	18	Thermostat..... 35
		Transfer Case..... 31
<b>R</b>		Transfer Box-Steering..... 14
Radiator.....	32	<b>U</b>
Regulator-Voltage.....	43	Universal Joint-Front Axle..... 28
Reflector.....	50	Universal Joint-Rear Axle..... 28
Rivets-Frame.....	18	
Running Board.....	55	<b>V</b>
		Valves..... 25
<b>S</b>		
Shock Absorber.....	58	<b>W</b>
Speedometer.....	56	Wheels, Hubs & Drums..... 1
Spring-Front.....	19	Wiper-Windshield..... 56
Spring-Rear.....	20	Wiring..... 53

### MODEL G P BODY PARTS

For quick reference all Body Parts have been divided into groups as listed in the Index below.

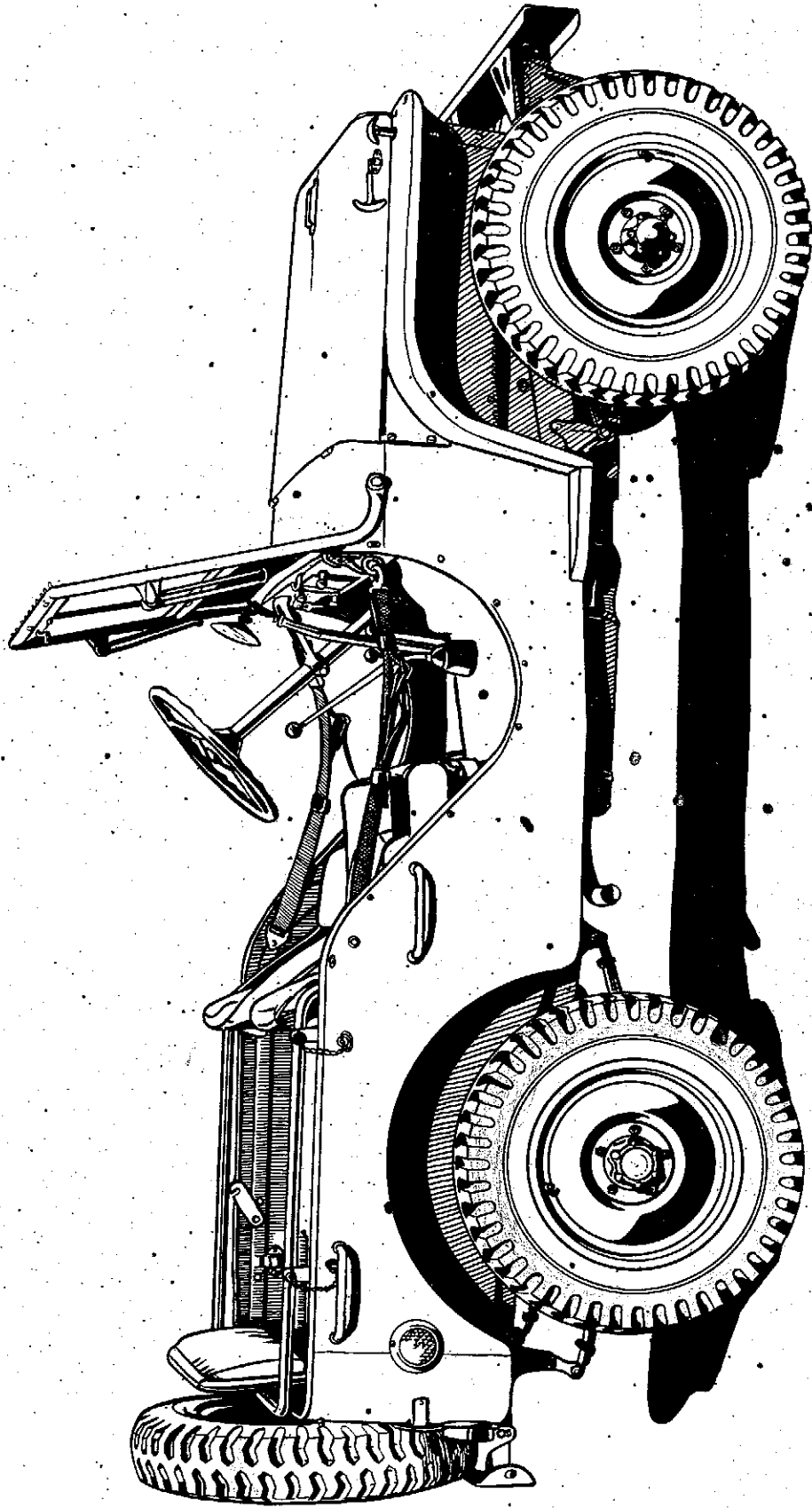
GROUP	Page
Back.....	61
Body Photograph.....	60
Floor.....	61
Front.....	61
Seat.....	62
Side.....	63
Top.....	63
Tool Compartment.....	64
Windshield.....	64



## FINISH OF STANDARD PARTS

The "S" suffix on numbers covering Standard Parts represents the finish of the part as shown by the following list:

Numbers with suffix S	Plain
Numbers with suffix S-2	Raven finish
Numbers with suffix S-3	Black Japan
Numbers with suffix S-4	Raven finish and black paint
Numbers with suffix S-5	Copper plate
Numbers with suffix S-6	Nickel plate
Numbers with suffix S-7	Cadmium plate
Numbers with suffix S-8	Zinc plate
Numbers with suffix S-9	Blued steel (obsolete)
Numbers with suffix S-10	Tinned
Numbers with suffix S-11	Terne coated (obsolete)
Numbers with suffix S-12	Lacquer to match trim
Numbers with suffix S-13	Chrome plated
Numbers with suffix S-14	Nickel plate—Butler finish
Numbers with suffix S-15	Oxidized
Numbers with suffix S-16	Lead coated
Numbers with suffix S-17	Raven finish and brown paint, head only (obsolete)
Numbers with suffix S-18	Case hardened
Numbers with suffix S-19	Brass plate
Numbers with suffix S-20	Cement coated
Numbers with suffix S-21	Lacquer for identification
Numbers with suffix S-22	Chrome plate—Butler finish
Numbers with suffix S-23	Rustless steel—head polished
Numbers with suffix S-24	Hot tin coated



MODEL GP U.S. GOVERNMENT 1/4 TON, 4 WHEEL DRIVE, 90" WHEELBASE RECONNAISSANCE CAR



### CHASSIS PARTS AND PRICE LIST

PART NUMBER	LIST PRICE	PART NAME	STEERING		MODEL
			2-W	4-W	
<b>Wheels, Hubs and Drums</b>					
GP 1012	.06	Nut-wheel hub-RH	10	10	
GP 1013	.06	Nut-wheel hub-LH	10	10	
GP 1015	8.50	Wheel assy-16 x 4.00	5	5	
GP 1089	.95	Retainer-pivot oil seal	4	8	
		355483-S 5/16-24 Hex head bolt-special	16	32	
		34941-S 5/16 External tooth lockwasher	16	32	
		Reqd. for pivot oil seal retainer to steering knuckle			
GP 1092	.08	Gasket-pivot oil seal retainer to knuckle	2	4	
GP 1102	8.50	Hub & drum assy-RH	2	2	
GP 1103	8.50	Hub & drum assy-LH	2	2	
GP 1107	.05	Bolt-wheel hub-RH	10	10	
GP 1108	.05	Bolt-wheel hub-LH	10	10	
GP 1110	.05	Bolt-wheel hub-to driving flange-front & rear	24		
GP 1124	.05	Lockwasher-wheel bearing lock nut	4	4	
GP 1139	.50	Cap-hub	2	4	
GP 1177	.55	Retainer-wheel grease	4	4	
GP 1201	**3.05	Cone & roller assy-frt. & rear wheel bearing-inner & outer	8	8	Timken #18590
GP 1202	**1.95	Cup-front & rear wheel bearing-inner & outer	8	8	Timken #18520
GP 1218	.05	Lockwasher-wheel bearing	4	4	
GP 1481	1.50	Support-spare wheel	1	1	
		20431-S2 7/16-20 x 1-1/4 Hex. hd. bolt	1	1	
		33802-S2 7/16-20 Hex. nut	1	1	
		34808-S2 7/16 Lock washer	1	1	
		Reqd. for spare wheel support to rear bumper impact bar to reinf. bar & arm-inner			
		20371-S2 7/16-20 x 7/8 Hex. head bolt	1	1	
		33802-S2 7/16-20 Hex. nut	1	1	
		34808-S2 7/16 Lock washer	1	1	
		Reqd. for spare wheel support to rear bumper reinf. bar			

### Service Brakes

GP 2010	6.50	Brake-front assy - RH	1	\$2	
GP 2011	6.50	Brake-front assy-LH	1	\$2	
		34807-S 3/8 Lockwasher	12	24	
		355552-S 3/8-24 Special Hex Hd. bolt	12	24	
		Reqd. for brake assy to steering knuckle			
GP 2013	2.00	Plate assy-brake housing	4		
GP 2018	1.50	Shoe & lining assy-brake - forward	4	4	
		351915-S 9/64 x 9/32 Special tubular rivet-special	80	80	
		Reqd. for brake shoe & lining rivet			
GP 2019	1.90	Shoe & lining-reverse brake	4	4	
GP 2021	.65	Lining-brake shoe - forward	4	4	
GP 2022	1.00	Lining-brake-reverse brake	4	4	
GP 2027	.10	Pin-brake anchor	8	8	
		351466-S24 Lockwasher-brake anchor pin-special	8	8	
		33846-S7-S8 1/2-20 Hex nut-brake anchor pin	8	8	
GP 2028	.10	Cam-brake anchor pin	8	8	
91A 2030	.12	Plate-brake anchor pin	4	4	
GP 2033	.10	Spring-brake shoe return	4	4	
GP 2038	.10	Eccentric-brake adjusting	8	8	
		34807-S7-S8 3/8 Lockwasher	8	8	
		33800-S7-S8 3/8-24 Hex nut	8	8	
		Reqd. for brake adjusting eccentric			
GP 2061	2.50	Cylinder assy-front brake	2	\$4	
		34905-S7-S8 1/4 Internal tooth lockwasher	4	4	
		20300-S7-S8 1/4-20 x 3/8 Hex head bolt	4	4	
		Reqd. for brake cyl. to brake plate			

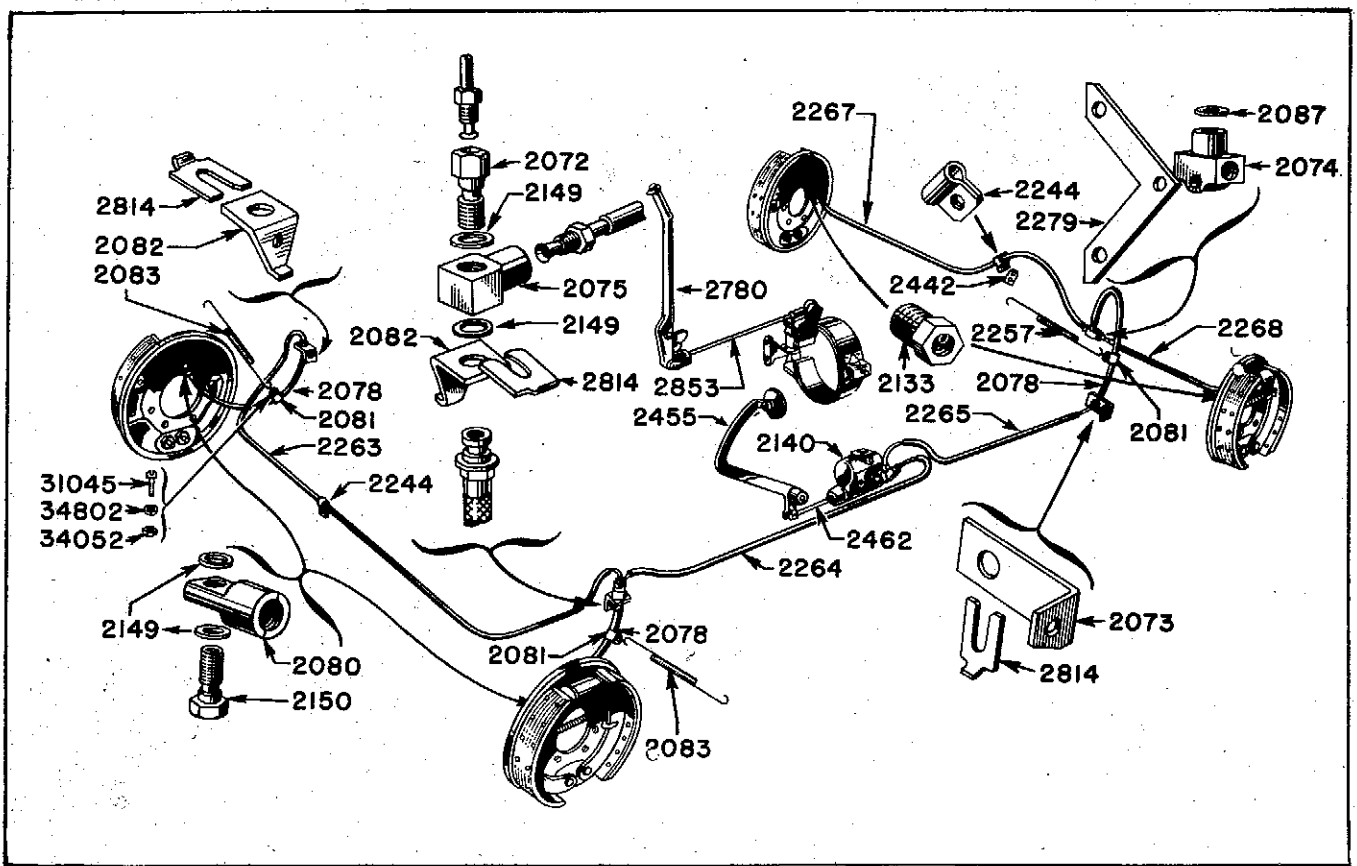
\$ Front & rear

\* Front only





CHASSIS PARTS AND PRICE LIST

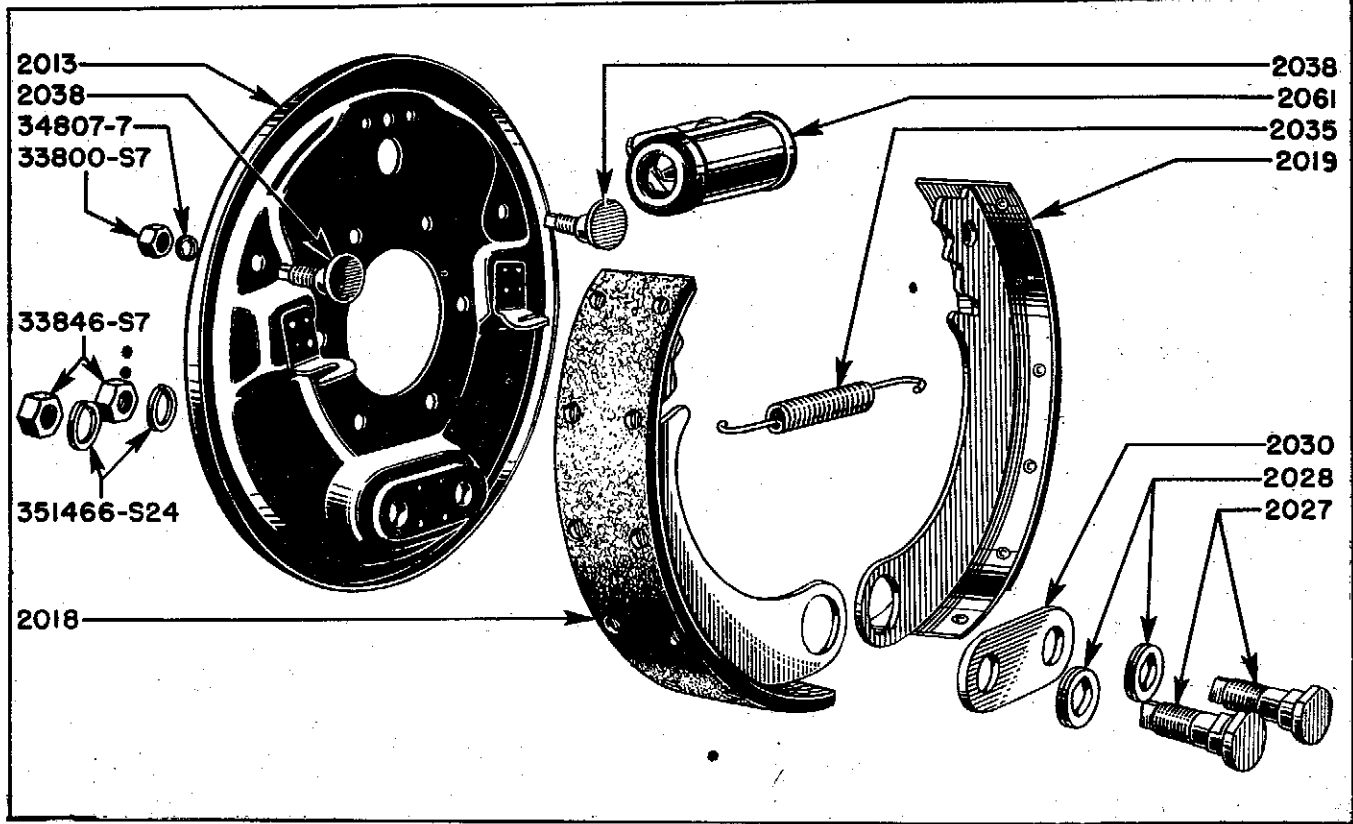


Basic numbers only shown on illustration. Order by Part Numbers shown in list of parts.

GP 2073	.45	Bracket-brake hose-front & rear	2	#1
O1Y 2073	.12	Bracket-rear brake hose	1	4
GP 2074	.20	Connector-brake line to axle-front & rear	2	2
GP 2075	.20	Connector-front brake line-left	1	1
GP 2076	.25	Fitting-brake master cyl.outlet	1	1
GP 2077	.25	Bolt-brake master cyl.outlet	1	1
GP 2078	1.25	Hose assy-brake	3	3
GP 2079		Hose assy-brake-front 10" long	3	\$5
GP 2080	.25	Connection-front brake cyl.inlet	2	\$4
91T 2081	.01	Clip-brake pipe to frame	5	5
		4 Used as headlamp wire to fender apron clip		
		1 Used as gasoline tank to strainer tube to RH side rail clip		
		355443-S2 5/16-24 Special carriage bolt	1	1
		34806-S2 5/16 Lockwasher	1	1
		33798-S2 5/16-24 Hex nut	1	1
		Reqd.for gasoline tank to strainer tube to RH side rail clip		
GP 2081	.60	Clip-brake hose suspension- for rear hose	3	3
		31045-S2 #8-32 x 3/8 Fillister head screw	3	3
		34052-S7 #8-32 Hex nut	3	3
		34802-S7 #8 Lockwasher	3	3
		Reqd.for brake hose suspension clip		
		60414-S 1/4 x 3/4 Rd.Hd.solid rivet	2	2
		Reqd.for front brake hose brkt.to side rail to #1 cross member brace		
GP 2082-B	.20	Bracket-front brake hose	2	\$4
	.75	GP 2257 Spring-brake hose retracting-rear	1	1
GP 2087	.03	Gasket-brake hose-Front & rear	2	2
§ Front & rear				

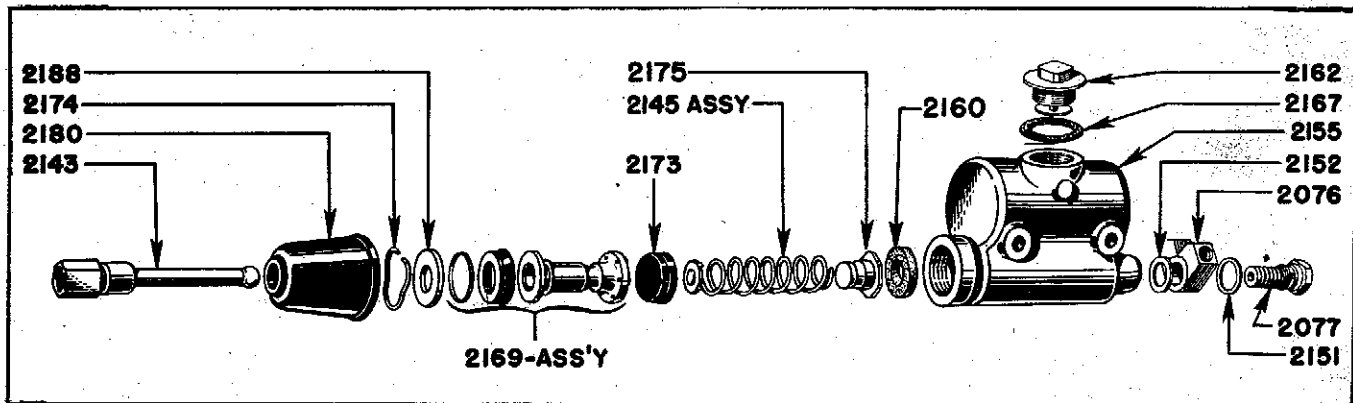


### CHASSIS PARTS AND PRICE LIST



Basic numbers only shown on illustration. Order by Part Numbers shown in list of parts.

91A 2133	.03	Nut-brake pipe 1/4	6	6
		2 Reqd. for distributor vacuum tube		
		2 Reqd. for tube #GP-9237 tank to strainer		
		2 Reqd. for tube #GP-9369 pump to carb.		
GP 2133	.03	Nut-brake pipe	12	12
GP 2140	5.50	Cylinder assy-brake master-complete	1	1
		25032-S2 5/16-24 x 4.25 Hex. hd. bolt	1	1
		24951-S2 5/16-18 x 2.25 Hex. hd. bolt	1	1
		34806-S 5/16 Lock washer	2	2
		33798-S2 5/16 - 24 Hex. nut	1	1
		Reqd. for brake master cyl. to side rail		



Basic numbers only shown on illustration. Order by Part Numbers shown in list of parts.

GP 2143-A	.35	Link assy-brake master cyl.	1	1
GP 2145	.20	Spring-master cyl. piston and retainer assy	1	1

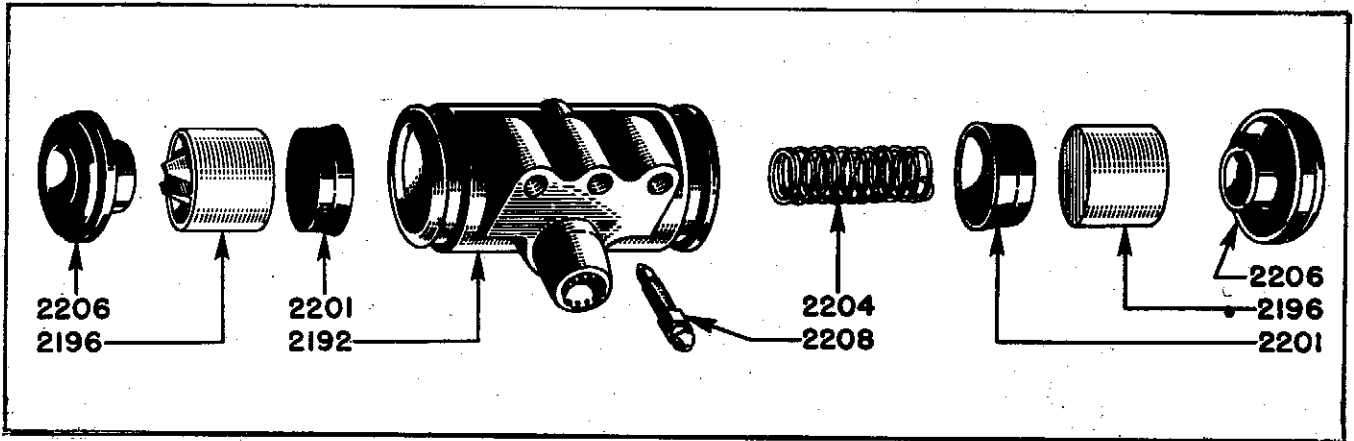


Ford Motor Company



### CHASSIS PARTS AND PRICE LIST

PART NUMBER	LIST PRICE	PART NAME	STEERING		MODEL
			2-W	4-W	



Basic numbers only shown on illustration. Order by Part Numbers shown in list of parts.

GP 2149	.02	Gasket-front brake cylinder inlet connection	6	\$12	
GP 2150	.20	Bolt-front brake line connector	2	\$4	
91A 2151	.01	Gasket-master cyl.outlet-large	1	1	
91A 2152	.01	Gasket-brake master cyl.outlet-small	1	1	
GP 2155	2.75	Cylinder-brake master	1	1	
GP 2160	.15	Seat-master cylinder check valve	1	1	
GP 2162	.60	Cap assy-brake master cyl.filler	1	1	
GP 2167	.05	Gasket-brake master cyl.filler cap	1	1	
GP 2169	.60	Piston assy-brake master cyl.	1	1	
GP 2173	.20	Cup-brake master cyl.primary	1	1	
GP 2174	.05	Ring-brake master cyl.piston snap	1	1	
GP 2175	.25	Cup-brake master cyl.check valve	1	1	
GP 2180	.20	Boot-brake master cyl.	1	1	
GP 2188	.05	Plate-brake master cyl.piston stop	1	1	
GP 2190	1.25	Cylinder-front brake	2	\$4	
GP 2192	1.25	Cylinder-rear brake	2		
GP 2194	.20	Piston assy-brake wheel 1" dia.-front	4	\$8	
GP 2196	.20	Piston assy-brake wheel-rear-7/8" dia.	4		
91A 2201	.20	Cup-brake wheel cyl.-front-1" dia.	4	\$8	
GP 2201	.20	Cup-brake wheel cyl.-rear-7/8" dia.	4		
GP 2204	.10	Spring-rear brake wheel cyl.piston-return	2		
GP 2205	.10	Spring-front brake wheel cyl.piston return	2	\$4	
GP 2206	.15	Boot-brake wheel cylinder	8	8	
GP 2208	.10	Screw-brake wheel cylinder bleeder	4	4	
		34807-S 3/8 Lockwasher	12	12	
		33786-S2 3/8-24 Hex nut	12	12	
		Reqd.for rear brake assy to rear brake disc.flange			
GP 2210	6.50	Brake-rear assy-RH	1		
GP 2211	6.50	Brake-rear assy-LH	1		
91A 2244-A	.01	Clip-brake pipe to radius rod	2	2	
		Reqd.for fuel line to hand brake guard support clip			
		20309-S2 1/4-28 x 1/2 Hex hd bolt	2	2	
		34805-S2 1/4 Lockwasher	2	2	
		33796-S2 1/4-28 Hex nut	2	2	
		Reqd.for fuel line to hand brake guard support			
		Reqd.for brake cyl.to brake plate			
GP 2244	.07	Clip-brake pipe to rear axles	1	1	
GP 2257	.75	Spring-brake hose retracting-rear	1		
GP 2261	2.50	Cylinder assy-rear brake	2	2	
		34905-S7-S8 1/4 Internal tooth lockwasher	4	4	
		20300-S7-S8 1/4-20 x 3/8 Hex head bolt	4	4	
§ Front and rear					



## CHASSIS PARTS AND PRICE LIST

PART NUMBER	CLASS	LIST PRICE	PART NAME	STEERING		MODEL
				2-W	4-W	
GP 2263-B		.35	Pipe assy-brake Left front wheel tee to right front wheel tee line	1	1	
GP 2264-B		.55	Pipe assy-brake Master cyl. to left front brake hose line	1	1	
GP 2265-A		.75	Pipe assy-brake Master cyl. to left rear brake hose line	1		
GP 2265-B		.75	Pipe assy-brake - master cyl. to left rear brake hose line	1	4	
GP 2266		.70	Pipe assy-brake - right front wheel connection to tee line	1	1	
GP 2267A		.90	Pipe assy-brake Right rear wheel to tee line	1		
GP 2267-B		.90	Pipe assy-brake - right rear wheel to tee line	1	4	
GP 2268-A		.45	Pipe assy-brake Left rear wheel to tee line	1		
GP 2268-B		.45	Pipe assy-brake - left rear wheel to tee line	1	4	
GP 2279		2.30	Bracket-rear axle to brake pipe tee 20385-S2 1/4-28 x 1 Hex. hd bolt 34805-S2 1/4 Lock washer 33796-S2 1/4-28 Hex. nut Reqd. for rear axle brake pipe to brkt. to brake line connection	1 1 1 1	1 1 1 1	
GP 2291		2.30	Bracket-front axle to brake pipe tee 20385-S2 1/4-28x1 Hex. head screw 33796-S2 1/4-28 Hex. nut 34805-S2 1/4 Lockwasher 1 reqd. for front axle brake pipe tee bracket to brake line connector	1 1 1 1	1 1 1 1	
O9A 2442		.02	Clip-brake retracting spring 1 Reqd. as clutch pedal retracting spring to trans. gear case 1 Reqd. as brake hose retracting spring to rear axle housing clip	2 2 2	2 2 2	

### Service Brake Controls

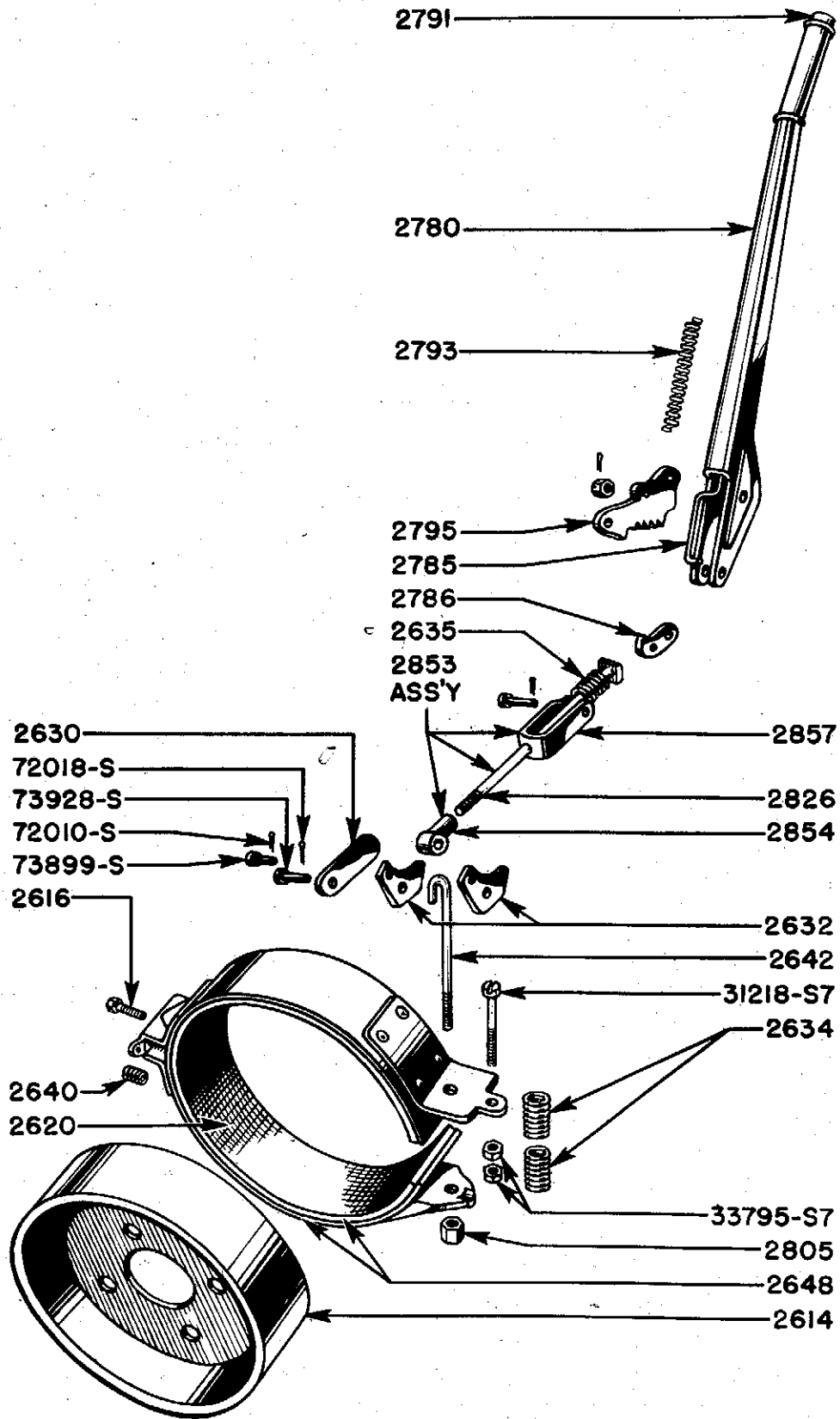
40 2454		.20	Pad assy-clutch & brake pedal 34810-S2 9/16 Lock washer Reqd. for clutch & brake pedal	2 2	2 2	
GP 2455		7.50	Pedal-brake	1	1	
GP 2462		.50	Rod-brake pedal to master cyl. 33802-S2 7/16-20 Regular hex. nut Reqd. for brake pedal to master cyl. rod nut	1 1	1 1	
GP 2467		3.75	Bracket-pedal 20367-S2 5/16-24 x 7/8 Hex. head bolt 34806-S 5/16 Lock washer Reqd. for pedal brkt. to frame master cyl. attaching plate	1 3 3	1 3 3	
GP 2475		4.20	Bracket-pedal-with bushings	1	1	

### Emergency Brake and Hand Brake Lever

GP 2598		5.75	Brake assy-hand 31218-S7-8 1/4-20 x 2-1/2 Fill. hd screw 33795-S7-8 1/4-20 Hex. nut Reqd. for hand brake end-upper	1 1 2	1 1 2	
GP 2614		2.50	Drum-hand brake 34807-S 3/8 Lockwasher 33786-S2 3/8-24 Hex nut 355551-S 3/8-24 x 1-1/8 Hex head bolt-special Reqd. for rear U/J flange to hand brake drum	1 4 4 4	1 4 4 4	
OIT 2616		.05	Screw-hand brake band anchor clip adj.	1	1	
GP 2620		1.50	Lining-hand brake 64647-S 1/8 x 9/32 Flat head tubular rivet Reqd. for hand brake lining to band	1 14	1 14	



CHASSIS PARTS AND PRICE LIST





### CHASSIS PARTS AND PRICE LIST

PART NUMBER	LIST PRICE	PART NAME	STEERING		MODEL
			2-W	4-W	
GP 2630	.25	Link-hand brake to trans.	1	1	
		73889-S7 3/8 x 3/8 Clevis pin	1	1	
		72010-S 1/8 x 5/8 Cotter pin	1	1	
		Reqd. for hand brake to trans. link			
		73928-S7 1/2 x 1-3/16 Clevis pin	1	1	
		72018-S 5/32 x 3/4 Cotter pin	1	1	
		Reqd. for hand brake to trans. link to hand brake band cam			
OLT 2632	.20	Cam-hand brake band	2	2	
		73905-S7-8 3/8 x 1 Clevis Pin	1	1	
		72016-S 3/32 x 3/4 Cotter pin	1	1	
		Reqd. for hand brake band cam to rod			
OLT 2634	.04	Spring-hand brake release	2	2	
OLT 2635	.06	Spring-hand brake compression	1	1	
OLT 2640	.03	Spring-hand brake band support	1	1	
OLT 2642	.20	Rod-hand brake band adj.	1	1	
GP 2648	4.50	Band-hand brake & lining assy	1	1	
GP 2750	1.30	Guard-hand brake	1	1	
		20319-S2 5/16-24 x .56 Hex. hd. bolt	3	3	
		34806-S 5/16 Lock washer	3	3	
		33988-S2 5/16-24 Hex. nut	3	3	
		Reqd. for hand brake guard to #2 cross member			
GP 2751	2.55	Support-hand brake guard	1	1	
		20319-S2 5/16-24 x .56 Hex. hd. bolt	6	6	
		34806-S 5/16 Lock washer	6	6	
		33798-S2 5/16-24 Hex. nut	6	6	
		4 Reqd. hand brake guard support to side rail			
		2 Reqd. hand brake guard support to hand brake guard			
BB 2780	2.75	Lever assy-hand brake	1	1	
		22229-S7-8 3/8-24 x 1-1/4 Hex. head bolt	1	1	
		34030-S7-8 3/8-24 Hex. nut-slotted-thick	1	1	
		72009-S 3/32 x 5/8 Cotter pin	1	1	
		Reqd. for hand brake lever to sector			
BB 2785	.20	Rod-hand brake lever pawl	1	1	
B 2786-R	.10	Pawl-hand brake lever	1	1	
B 2791	.12	Button-hand brake lever pawl rod	1	1	
B 2793	.02	Spring-hand brake lever pawl rod	1	1	
B 2795-B	.45	Sector-hand brake lever	1	1	
		20368-S2 3/8-16 x .88 Hex. head bolt	2	2	
		34807-S 3/8 Lock washer	2	2	
		Reqd. for hand brake lever sector to trans. gear shift housing			
OLT 2805	.15	Nut-hand brake adjusting	1	1	
78 2814-A	.02	Clip-hand brake cable spring lock clip-for brake hose	4	4	
GP 2826	.45	Bolt-hand brake clevis to cam	1	1	
GP 2853	2.20	Connector assy-hand brake lever to cam	1	1	
OLT 2854	.20	End-hand brake rod adjusting	1	1	
GP 2857	.35	Clevis-hand brake lever to cam	1	1	
		73925-S7-8 5/16 x 1-3/16 Clevis pin	1	1	
		72010-S 1/8 x 5/8 Cotter Pin	1	1	
		Reqd. for hand brake lever to cam clevis to hand brake band cam			

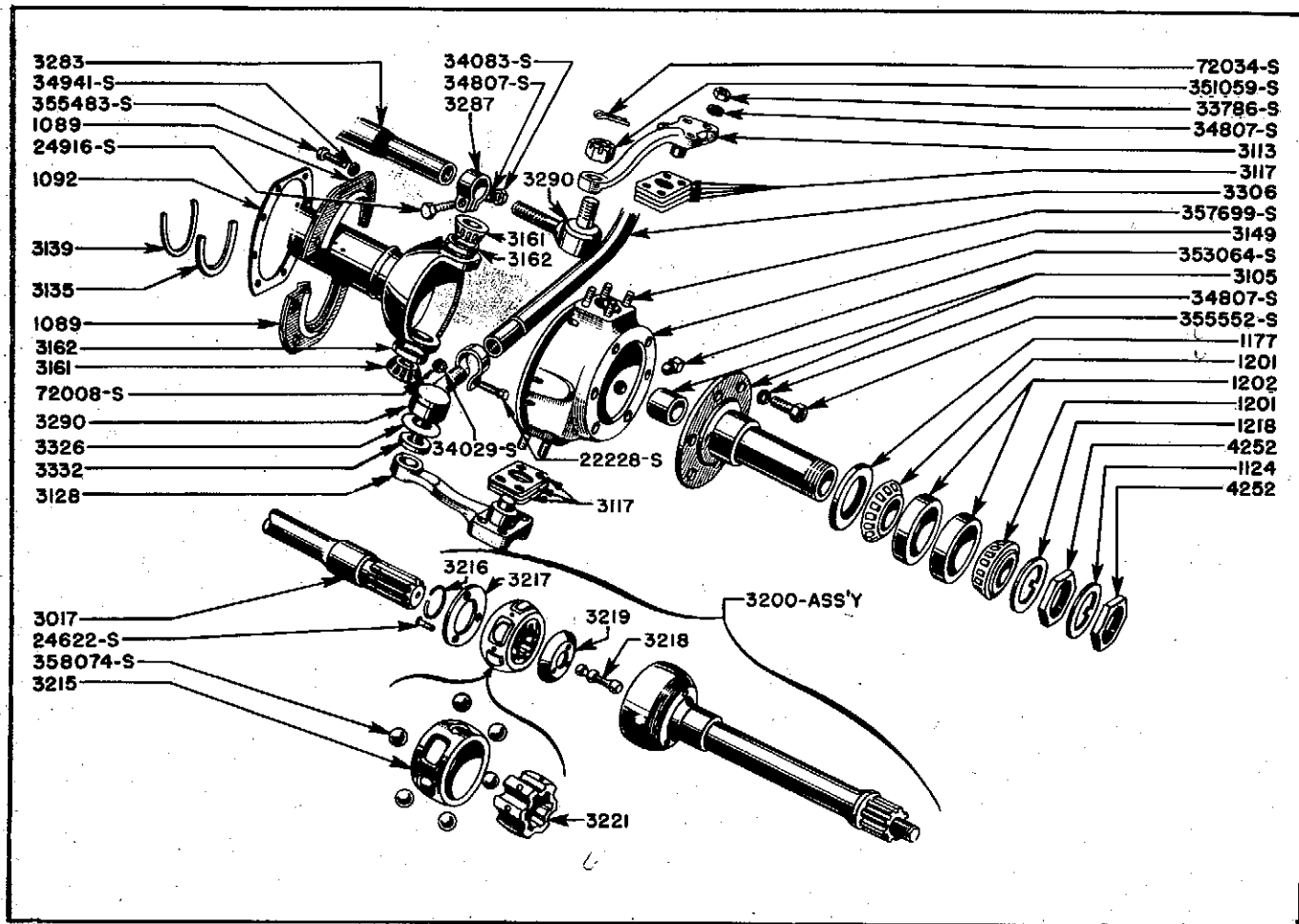
### Front Axle (2-Wheel Steering)

### Front and Rear Axle (4-Wheel Steering)

	.95	GP 1089 Retainer-pivot oil seal	4	\$8	
		355483-S 5/16-24 x 1/2 Hex Hd bolt-special	16	\$32	
		34941-S 5/16" External tooth washer	16	\$32	
		Reqd. for steering knuckle oil seal			
§ Front & rear					



CHASSIS PARTS AND PRICE LIST

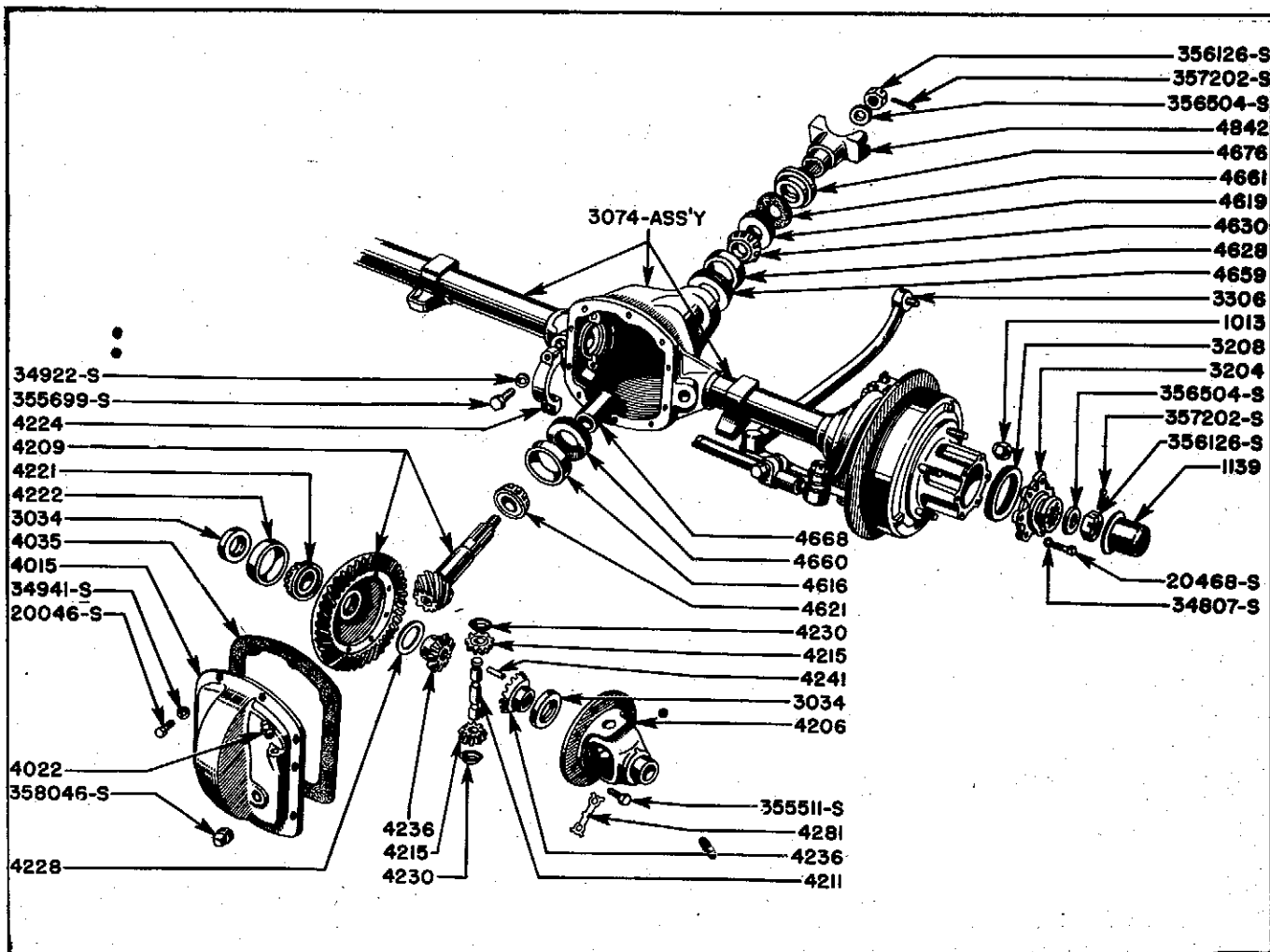


Basic numbers only shown on illustration. Order by Part Numbers shown in list of parts.

	.05	GP 1124	Lockwasher-wheel bearing lock nut	2	\$4	
	.50	GP 1139	Cap-hub	.2	\$4	
		355552-S	3/8-24 x 3/4 Special Hex Hd bolt	12	\$24	
		34807-S	3/8" Lockwasher	12	\$24	
			Reqd. for brake disc			
	.55	GP 1177	Retainer-wheel grease	2	\$4	
GP 3001			Axle-front assy	1	1	
		GP 4001-B	Axle-rear assy		1	
		GP 4004-B	Housing-diff. & rear axle assy		1	
	**3.05	GP 1201	Cone & roller assy-frt. wheel-inner & outer	4	\$8	(Timken #18590)
	**1.95	GP 1202	Cup-front wheel bearing-inner & outer	4	\$8	(Timken #18520)
	.05	GP 1218	Washer-wheel bearing thrust	2	\$4	
GP 3016	8.00		Shaft-front axle-RH	1	\$2	
GP 3017	7.00		Shaft-front axle-LH	1	\$2	
GP 3031	.30		Retainer-front axle shaft grease-outer	2	\$4	
GP 3034	.35		Retainer-front axle shaft grease-inner	2	\$4	
GP 3074	87.50		Housing-differential and front axle-assy	1	1	
GP 3105	11.25		Spindle-front wheel bearing-assy	2	\$4	
GP 3112	5.10		Arm-steering pivot-assy-RH	1	†2	
GP 3113	5.10		Arm-steering pivot-assy-LH	1	†2	
		33786-S	3/8-24 Hex nut	16	\$32	
		34807-S	3/8 Lockwasher	16	\$32	
			Reqd. for steering arm			
§ Front & rear		† Right-front & left rear on 4 wheel steer.				† Left-front & right rear on 4 wheel steer.



### CHASSIS PARTS AND PRICE LIST



Basic numbers only shown on illustration. Order by Part Numbers shown in list of parts.

GP 3115	.45	Bolt-spindle	4	\$8
GP 3117-A	.03	Shim-steering pivot arm-.003	AsReq	AsReq
GP 3117-B	.03	Shim-steering pivot arm-.005	AsReq	AsReq
GP 3117-C	.04	Shim-steering pivot arm-.010	AsReq	AsReq
GP 3117-D	.04	Shim-steering pivot arm-.030	AsReq	AsReq
GP 3122	.02	Pin-spindle bolt locking	4	\$8
GP 3128	5.10	Arm-lower steering	1	\$2
		34807-S 3/8 Lockwasher	16	\$32
		33786-S2 3/8-24 Hex nut	16	\$32
		Reqd. for steering arm to knuckle		
GP 3135	.10	Seal-front axle pivot	4	\$8
GP 3139	.12	Strip-front axle pivot oil seal pressure	4	\$8
GP 3140	2.35	Cap-steering spindle pin-assy	1	\$2
GP 3148-A	16.75	Knuckle-steering-RR	1	\$2
		357699-S Stud 3/8-24 Special	16	\$32
		Reqd. for steering knuckle R & LH		
		33911-S 3/8-24 Hex check nut	2	\$4
		2 Reqd. for steering knuckle brkts. stop screw		
GP 3149-A	16.75	Knuckle-steering-LH	1	\$2
		353064-S 1/2" Pipe plug-extended head-special	2	\$4
		355526-S 3/8-24 Special hex head stop screw	2	\$4
		33911-S 3/8-24 Hex. check nut	2	\$4
		Reqd. for steering knuckle		

§ Front and rear





CHASSIS PARTS AND PRICE LIST

PART NUMBER	CLASS	LIST PRICE	PART NAME	STEERING		MODEL
				2-W	4-W	
GP 3161		**1.90	Roller & cone assy-front axle spindle bearing	4	\$8	(Timken #11590)
GP 3162		**1.30	Cup-front axle spindle bearing	4	\$8	(Timken #11520)
GP 3200		57.50	Joint-front wheel universal-assy	2	\$4	
			356126-S Nut-special Hex .75-.16	2	\$4	
			356504-S Washer-driving pinion nut	2	\$4	
			357202-S Cotter pin-.109/.105 dia.x 1.50 special	2	\$4	
			Reqd.for universal joint knuckle			
GP 3204		5.25	Flange-front hub driving	2	\$4	
		.03	GP 1110 Bolt-front axle shaft flange	12	12	
			34807-S 3/8" Lockwasher	12	12	
			Reqd.for front hub driving flange			
GP 3206		63.50	Universal joint and axle shaft assy-front wheel-RH	1	\$2	
GP 3207		62.50	Universal joint and axle shaft assy-front wheel-LH	1	\$2	
GP 3208-A		.04	Shim-universal joint adjusting-.010"	as	reqd	
GP 3208-B		.05	Shim-universal joint adjusting-.030"	as	reqd	
GP 3215		5.75	Cage-front wheel universal joint	2	\$4	
			358074-S Ball-11/16"-special	12	\$24	
			Reqd.for front wheel universal joint cage			
GP 3216		.05	Ring-front wheel universal joint shaft retainer snap	2	\$4	
GP 3217		.40	Retainer-front wheel universal joint shaft	2	\$4	
			24622-S #8-32 x 7/16 Flat head screw	6	\$12	
			Reqd.for frt.whl.univ.joint shaft ret.inner race			
GP 3218		2.75	Pin-universal joint pilot	2	\$4	
GP 3219		2.25	Pilot-front wheel universal joint	2	\$4	
GP 3221		11.75	Race-front wheel universal joint inner	2	\$4	
GP 3283		3.00	Tube-spindle connecting rod	1	\$2	
48 3287		.07	Clamp-spindle connecting rod-for drag link	1	\$5	
			34029-S 5/16-24 Hex.slotted nut	1	\$5	
			72008-S 1/16 x 5/8 Cotter pin	1	\$5	
			22228-S 5/16-24 x 1-1/8 Hex.hd.bolt-end drilled	1	\$5	
			Reqd.for drag link clamp & GP 4190			
51 3287		.15	Clamp-spindle connecting rod	2	\$4	
			24916-S2 3/8-24 x 1-5/8 Hex head bolt	2	\$4	
			34083-S2 3/8-24 Hex nut	2	\$4	
			34807-S 3/8 Lockwasher	2	\$4	
			Reqd.for spindle connecting rod clamp			
GP 3290		1.75	End assy-spindle connecting rod-LH-also for GP4161 & GP4187	2	\$5	
			Reqd.for spindle connecting tie rod			
			Reqd.for drag link assy			
GP 3289		1.75	End assy-spindle connecting rod-RH-also for GP4187	1	\$3	
			353043-S7-8 1/4-28 Fitting	2	\$8	
			Reqd.for drag link ball cap			
GP 3306		2.00	Link assy-drag-less adjusting end	1	1	
			351059-S 1/2-20 Slotted hex.nut-special	4	\$10	
			72026-S 1/8 x 7/8 Cotter pin	4	\$10	
			Reqd.for drag link and tie rod ball stud & tr.rods			
11A 3310		.45	Sleeve-drag link adj.		1	
78 3332		.02	Seal-spindle connection rod and drag link dust	4	\$10	
78 3336		.01	Retainer-steering drag link & tie rod grease	4	\$10	
GP 3365			Shaft,knuckle & spindle assy-front drive	1	1	
GP 3370		9.25	Shaft assy-front drive	1	1	
GP 3374		.30	Washer-front wheel universal joint thrust	2	\$4	
GP 4015		1.95	Cover-axle differential-assy	1	\$2	
			20046-S 5/16-18 x 3/4 Hex head bolt	10	\$20	
			34941-S 5/16 External tooth washer	10	\$20	
			353051-S Plug-filler 3/4	1	\$2	
			358048-S Plug-drain-3/4"	1	\$2	
			Reqd.for differential housing cover			
GP 4022		.20	Plug-axle differential cover vent	1	\$2	
§ Front and rear						



CHASSIS PARTS AND PRICE LIST

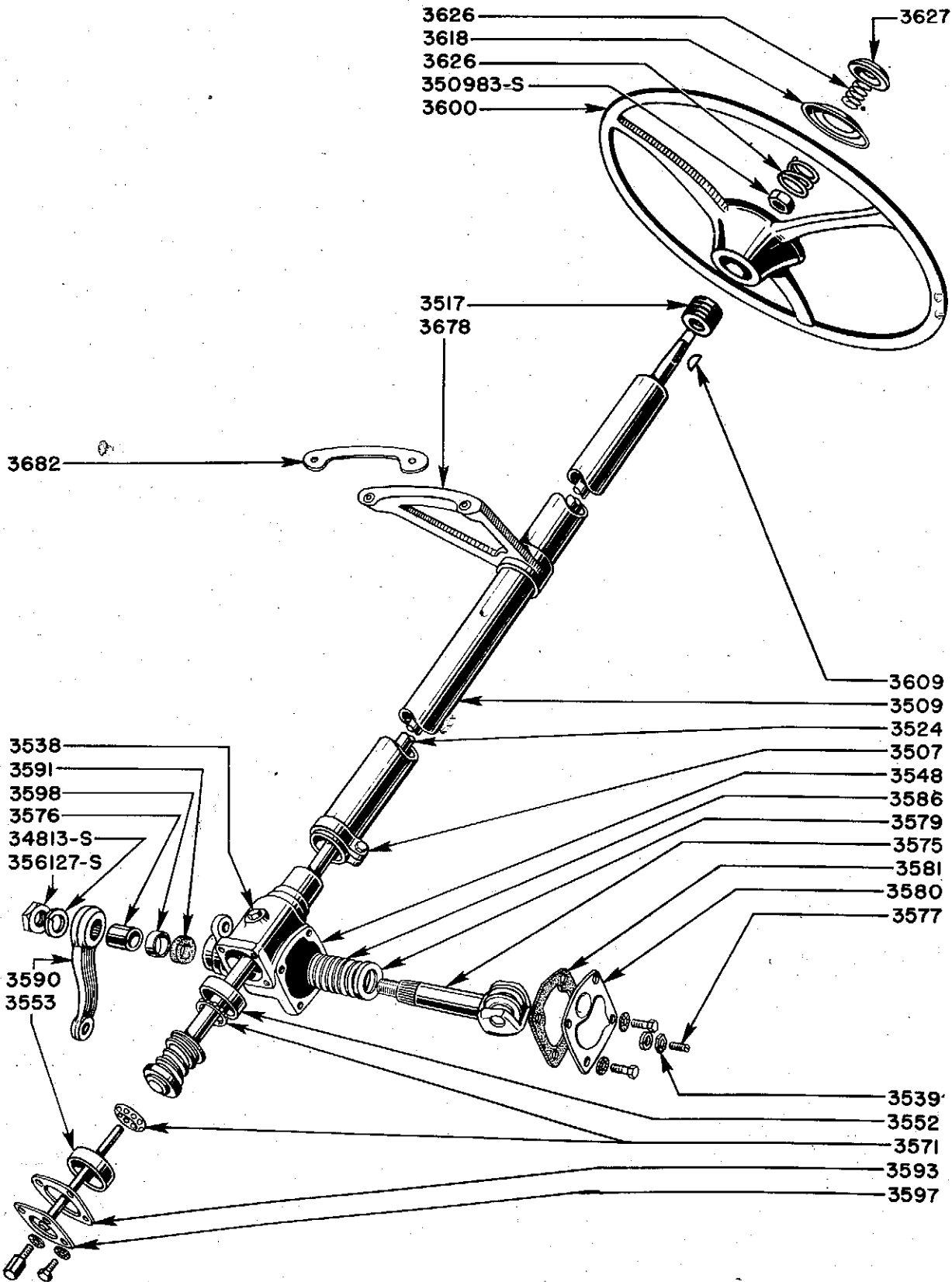
PART NUMBER	LIST PRICE	PART NAME	STEERING		MODEL
			2-W	4-W	
GP 4035	.10	Gasket-differential housing	1	\$2	
GP 4206	5.50	Case-differential gear	1	\$2	
GP 4207	13.75	Case-differential gear-assy	1	\$2	
GP 4209	19.00	Gear and pinion-driving (matched set)	1	\$2	
		355511-S 3/8-24 x 7/8 Special Hex Hd bolt	8	\$16	
		Reqd.for drive gear to differential case			
		356126-S 3/4 x 16 Nut	4	\$8	
		356504-S 3/4" Washer	4	\$8	
		357202-S 7/64 x 1-1/2 Cotterpin	4	\$8	
		Reqd.for driving pinion and front axle shaft			
GP 4211	.80	Shaft-differential pinion	1	\$2	
GP 4215	1.25	Pinion-differential	2	\$4	
GP 4221	**3.12	Cone and roller assy-axle differential bearing	2	\$4	(Timken #24780)
GP 4222	**2.44	Cup-axle differential bearing	2	\$4	(Timken #24721)
		355699-S 1/2-13 x 2-1/4 Special Hex Hd bolt	4	\$8	
		34922-S 1/2 Internal tooth lockwasher-heavy	8	\$16	
		Reqd.for differential bearing cap			
GP 4228	.10	Washer-differential gear thrust	2	\$4	
GP 4229-A	.04	Shim-axle differential bearing-.003"	2	\$4	
GP 4229-B	.04	Shim-axle differential bearing-.005"	2	\$4	
GP 4229-C	.04	Shim-axle differential bearing-.010"	2	\$4	
GP 4229-D	.04	Shim-axle differential bearing-.030"	2	\$4	
GP 4230	.10	Washer-differential pinion thrust	2	\$4	
GP 4236	2.00	Gear-differential	2	\$4	
GP 4241	.15	Pin-differential pinion shaft lock	1	\$2	
GP 4252	.22	Nut-wheel bearing lock	4	\$8	
GP 4281	.05	Strap-differential drive gear screw lock	4	\$8	
86H 4616	1.00	Cup-driving pinion bearing-rear	1	\$2	(Timken #31520)
GP 4619	.60	Slinger-driving pinion shaft oil	1	\$2	
86H 4621	1.50	Cone and roller assy-driving pinion bearing rear	1	\$2	(Timken #31593)
GP 4628	**1.71	Cup-driving pinion bearing-front	1	\$2	(Timken #02820)
GP 4630	**2.89	Cone and roller assy-driving pinion bearing-front	1	\$2	(Timken #02872)
GP 4659-A	.05	Shim-drive pinion rear bearing-.003"	2	\$4	
GP 4659-B	.05	Shim-drive pinion rear bearing-.005"	2	\$4	
GP 4659-C	.05	Shim-drive pinion rear bearing-.010"	2	\$4	
GP 4659-D	.05	Shim-drive pinion rear bearing-.030"	1	\$2	
GP 4660-A	.04	Shim-drive pinion front bearing-.003"	2	\$4	
GP 4660-B	.04	Shim-drive pinion front bearing-.005"	2	\$4	
GP 4660-C	.04	Shim-drive pinion front bearing .010"	2	\$4	
GP 4661	.05	Gasket-pinion oil seal	1	\$2	
GP 4666	.06	Shield-drive pinion dust	1	\$2	
GP 4668	.60	Spacer-drive pinion bearing	1	\$2	
GP 4676	.55	Retainer-drive pinion grease-assy	1	\$2	
GP 4842	3.60	Flange assy-universal joint axle end	1	\$2	

Steering Gear

GP 3503-B	23.50	Gear assy-steering-less arm wheel & horn switch assy	1	1	
B 3507	.15	Clamp-steering column	1	1	
		21492-S2 5/16-24 x 1-7/8 Hex.hd bolt	1	1	
		33798-S2 5/16-24 Hex.nut	1	1	
		34846-S 5/16 Lock washer-heavy	1	1	
		Reqd.for steering column clamp			
GP 3509	1.40	Tube assy-steering column	1	1	
B 3517	.15	Bushing-steering shaft-rubber	1	1	
GP 3524-A	2.75	Shaft & worm assy-steering (used lst 2960 units with 18.2 to 1 ratio steering)	1	1	
		350983-S 5/8-18 Hex.nut-thin-special	1	1	
		Reqd.for steering wheel to shaft			
GP 3524-B	2.75	Shaft & worm assy- steering(used after 2960 units with 14.6 to 1 ratio steering)	1	1	
§ Front & rear					



CHASSIS PARTS AND PRICE LIST



Basic numbers only shown on illustration. Order by Part Numbers shown in list of parts.



CHASSIS PARTS AND PRICE LIST

PART NUMBER	CLASS	LIST PRICE	PART NAME	STEERING		MODEL
				2-W	4-W	
B 3538		.04	Plug-steering gear oil filler	1	1	
GP 3539		.02	Nut-steering sector shaft adj.screw lock	1	1	
GP 3548		2.65	Housing-steering gear-with bushing,lower brg.cup & plug	1	1	
			22222-S2 7/16-20 x 1.12 Hex.hd bolt-end drilled	2	2	
			33961-S2 7/16-20 Hex.slotted nut	2	2	
			72026-S 1/8 x 7/8 Cotter pin	2	2	
			Reqd.for steering gear housing to side rail			
B 3552		.25	Cup-steering gear worm bearing lower	1	1	(Timken #6)
78 3553		.35	Cup-steering gear worm bearing-long	1	1	(Timken #06)
68 3571-A		.25	Roller assy-steering gear worm bearing	2	2	(Timken #5BC)
GP 3575-A		4.00	Shaft assy-steering sector (used lst 2960 units with	1	1	
			18.2 to 1 steering ratio			
			356127-S Nut-3/4-16 spec.hex.-special	1	1	
			34813-S 3/4 Lockwasher-used for strg.gear sector shaft	1	1	
GP 3575-B		4.00	Shaft assy-steering sector(used after 2960 units with	1	1	
			14.6 to 1 steering ratio)			
GP 3576		.10	Bushing-steering sector shaft	2	2	
GP 3577		.05	Screw-steering sector shaft adj.	1	1	
			34830-S 9/16 Lock washer	1	1	
			Reqd.for steering sector shaft adj.screw			
GP 3579		.05	Washer-steering sector shaft thrust	1	1	
GP 3580		.15	Cover-steering gear housing	1	1	
			20026-S 5/16-18 x 5/8 Hex.hd bolt	4	4	
			34941-S 5/16 Ext.tooth washer-steering gear housing	4	4	
			cover to housing			
GP 3581		.02	Gasket-steering gear housing cover	1	1	
GP 3586-A		.02	Shim-steering sector shaft	AsReq	AsReq	
GP 3586-B		.02	Shim-steering sector shaft	AsReq	AsReq	
GP 3590-B		2.20	Arm-steering gear	1		
GP 3590-C		2.00	Arm-steering gear		1	
48 3591		.20	Seal-steering gear housing cover oil		1	
GP 3591		.10	Seal-steering sector shaft oil	1		
B 3593		.01	Gasket-steering gear housing cap upper (.005-.006)	AsReq	AsReq	
B 3594		.01	Gasket-steering gear housing cap upper (.010-.012)	AsReq	AsReq	
B 3595		.01	Gasket-steering gear housing cap upper (.0025)	AsReq	AsReq	
11A 3597		.25	Plate assy-steering gear housing end-opt.with 01A-3597	1	1	
01A 3597		.25	Plate assy-steering gear housing end-opt.with 11A-3597	1	1	
			20026-S 5/16-18 x 5/8 Hex.head bolt	4	4	
			34941-S 5/16 External tooth washer	4	4	
			Reqd.for steering gear housing end plate to hsg.			
GP 3598		.05	Retainer-steering sector shaft oil seal	1	1	
GP 3600		3.70	Wheel assy-steering	1	1	
B 3609		.02	Steering wheel-spec.woodruff key #9	1	1	
GP 3618		.80	Plate-steering wheel hub cover	1	1	
			355104-S4 #10-16 x 5/8 Self Tapping screw-special	3	3	
			Reqd.for steering wheel hub cover plate to wheel			
99A 3626		.20	Spring-horn button	1	1	
B 3626-A		.02	Spring-horn button	1	1	
GP 3627		.45	Button-horn switch	1	1	
GP 3678		3.25	Bracket-steering column	1	1	
			20447-S 5/16-24 x 1-3/8 Hex.hd.bolt	1	1	
			34806-S 5/16 Lock washer	1	1	
			Reqd.for steering column brkt.			
			20357-S 5/16-24 x 13/16 Hex.head bolt	2	2	
			34806-S 5/16 Lock washer	2	2	
			Reqd.for dash to steering column brkt.			
GP 3682		.06	Shim-steering column bracket	1	1	
GP 3685		.06	Key-ignition lock (H-700 series)-also use for GP-1146127	3	3	
			lock			
GP 3686		.70	Lock & cylinder assy-ignition	1	1	



CHASSIS PARTS AND PRICE LIST

PART NUMBER	LIST PRICE	PART NAME	STEERING		MODEL
			2-W	4-W	

Steering Transfer Box

GP 4141		Box-steering gear transfer assy		1	
GP 4143	.10	Plug-transfer box vent		1	
GP 4144		Shaft-transfer box		1	
GP 4145		Reinforcement-transfer box		1	
		356513-S Washer-special lock		1	
		35838-S Nut 3/4-16 hex For steering transfer box rear arm to shaft		1	
GP 4154	.35	Gasket-transfer housing		1	
GP 4158	8.25	Arm-steering transfer box-rear		1	
GP 4159	5.00	Arm-steering transfer box-front		1	
GP 4162		Link-transfer box to rear wheel drag-less adj.sleeve, clamps and end assy		1	3 4
GP 4165	14.00	Cover-transfer box housing		1	
		355417-S 5/16-18x3/4 special flat head screw		2	
		34956-S 5/16-tooth lockwasher-countersunk external		2	
		20026-S 5/16-18x5/8 hex head screw		3	
		34846-S 5/16 lockwasher for steering transfer box cover to box		3	
GP 4166		Shaft-transfer box cam		1	
		356513-S Washer-special lock		1	
		356127-S 3/4-16 special hex nut for steering transfer box front arm to shaft		1	
GP 4169		Housing & bushing-steering transfer box assy		1	
		20409-S 3/8-24x1-1/8 hex head screw		4	
		33800-S7 3/8-24 hex nut		4	
		34807-S 3/8 lockwasher for steering transfer box housing to frame		4	
		353055-S 1/4-18 pipe plug-extended head		1	
GP 4171	.25	Bushing-transfer box shaft		1	
GP 4175		Bearing-steering transfer box shaft cover		2	
GP 4190		Tube & clamp-steering gear to transfer box		1	

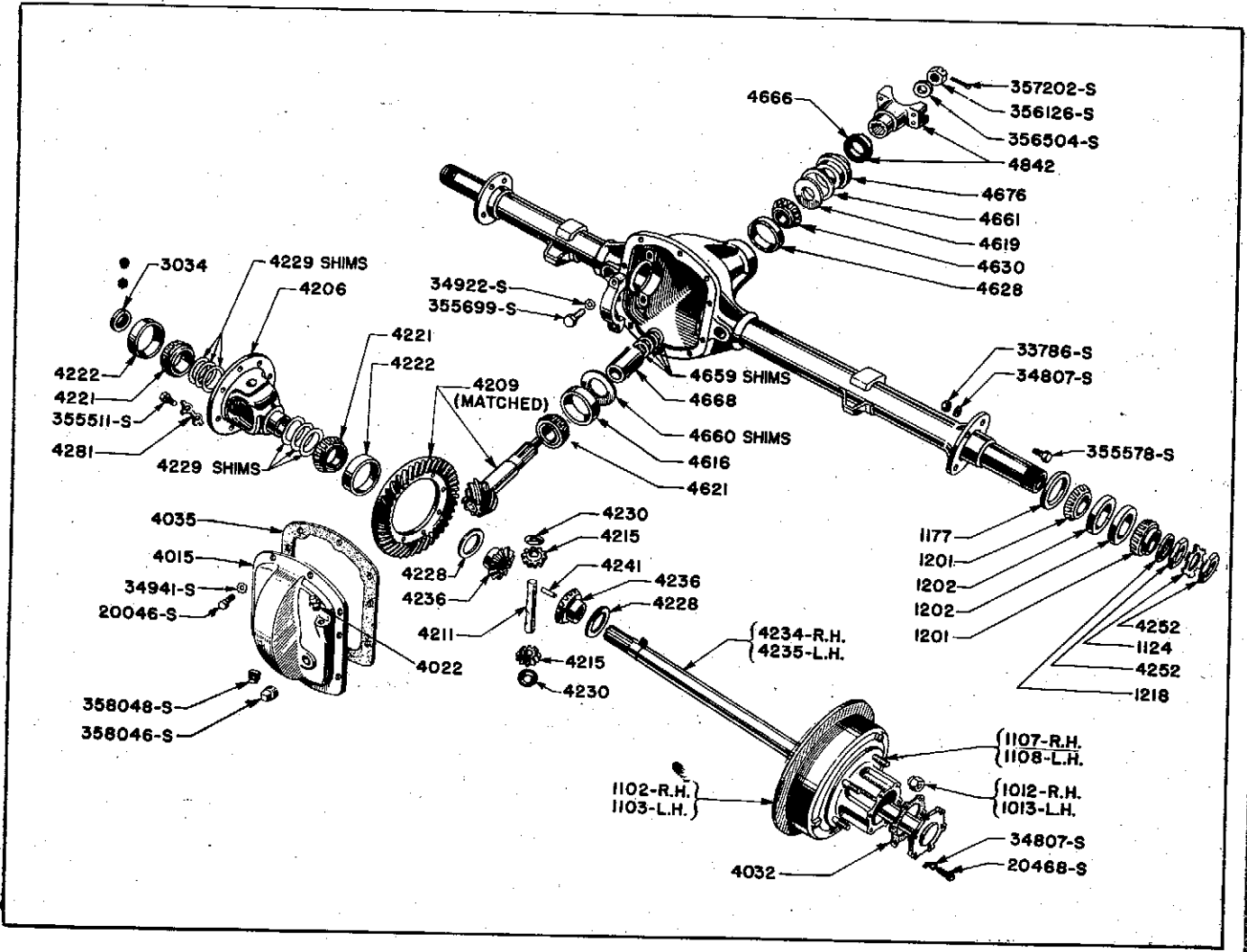
Rear Axle (2 Wheel Steering)

		355578-S 3/8-24 x 1-3/16 Special Hex Hd bolt	12		
		33786-S 3/8-24 Hex nut	12		
		34807-S 3/8" Lockwasher Reqd. for brake disc	12		
	.05	GP 1124 Lockwasher-wheel bearing lock nut	2		
	.55	GP 1177 Retainer-wheel grease	2		
	**3.05	GP 1201 Cone & roller assy-rear wheel-inner & outer	4		(Timken #18590)
	**1.95	GP 1202 Cup-rear wheel bearing-inner & outer	4		(Timken #18520)
	.05	GP 1218 Lockwasher-wheel bearing	2		
	.35	GP 3034 Retainer-rear axle shaft grease-inner	2		
GP 4001-A		Axle-rear assy	1		
GP 4001-B		Axle-rear-assy		1	
GP 4004-A	45.25	Housing-differential and rear axle-assy	1		
GP 4015	1.95	Cover-axle differential-assy	1		
		20046-S 5/16-18 x 3/4 Hex head bolt	10		
		34941-S 5/16 External tooth lockwasher	10		
		353051-S Plug-filler 3/4	1		
		358048-S Plug-drain-3/4"	1		
		Reqd. for differential housing cover			



### CHASSIS PARTS AND PRICE LIST

PART NUMBER	CLASS	LIST PRICE	PART NAME	STEERING		MODEL
				2-W	4-W	



Basic numbers only shown on illustration. Order by Part Numbers shown in list of parts.

GP 4022	.20	Plug-axle differential cover vent	1	
GP 4032	.05	Gasket-rear axle shaft	2	
GP 4035	.10	Gasket-differential housing	1	
GP 4206	5.50	Case-differential gear	1	
GP 4207	13.75	Case-differential gear-assy	1	
GP 4209	19.00	Gear and pinion-driving (Matched set)	1	
		355511-S 3/8-24 x 7/8 Special Hex Hd bolt	8	
		Reqd. for driving gear to differential case		
GP 4211	.80	Shaft-differential pinion	1	
GP 4215	1.25	Pinion-differential	2	
		356504-S 3/4 x 1-5/8 Special Flat washer	1	
		356126-S 3/4-16 Special Hex nut-slotted	1	
		357202-S 7/64 x 1-1/2 Special cotter pin	1	
		Reqd. for pinion		
GP 4221	**3.12	Cone and roller assy-axle differential bearing	2	(Timken #24780)
GP 4222	**2.44	Cup-axle differential bearing	2	(Timken #24721)



Ford Motor Company



CHASSIS PARTS AND PRICE LIST

PART NUMBER	CLASS	LIST PRICE	PART NAME	STEERING		MODEL
				2-W	4-W	
			355699-S 1/2-13 x 2-1/4 Special hex head screw	4		
			34922-S 1/2" Internal tooth lockwasher	4		
			Reqd. for differential bearing cap			
GP 4228		.10	Washer-differential gear thrust	2		
GP 4229-A		.04	Shim-axle differential bearing-.003"	2		
GP 4229-B		.04	Shim-axle differential bearing-.005"	2		
GP 4229-C		.04	Shim-axle differential bearing-.010"	2		
GP 4229-D		.04	Shim-axle differential bearing-.030"	2		
GP 4230		.10	Washer-differential pinion thrust	2		
GP 4234		10.75	Shaft-rear axle-RH	1		
GP 4235		9.75	Shaft-rear axle-LH	1		
		.03	GP 1110 Bolt-rear axle shaft flange	12		
			34807-S 3/8" Lockwasher	12		
			Reqd. for rear axle shaft			
GP 4236		2.00	Gear-differential	2		
GP 4241		.15	Pin-differential pinion shaft lock	1		
GP 4252		.22	Nut-wheel bearing lock	4		
GP 4281		.05	Strap-differential drive gear screw lock	4		
GP 4602		27.50	Shaft, knuckle & spider-rear drive	1		
GP 4605		9.25	Shaft-rear drive	1		
86H 4616		1.00	Cup-driving pinion bearing-rear	1		
GP 4619		.60	Slinger-driving pinion shaft oil	1		
86H 4621		1.50	Cone and roller assy-driving pinion bearing-rear	1		(Timken #31593)
GP 4628		**1.71	Cup-driving pinion bearing-front	1		(Timken #02820)
GP 4630		**2.89	Cone and roller assy-driving pinion bearing-front	1		(Timken #02872)
GP 4659-A		.05	Shim-drive pinion rear bearing-.003"	2		
GP 4659-B		.05	Shim-drive pinion rear bearing-.005"	2		
GP 4659-C		.05	Shim-drive pinion rear bearing-.010"	2		
GP 4659-D		.05	Shim-drive pinion rear bearing-.030"	1		
GP 4660-A		.04	Shim-drive pinion front bearing-.003"	2		
GP 4660-B		.04	Shim-drive pinion front bearing-.005"	2		
GP 4660-C		.04	Shim-drive pinion front bearing-.010"	2		
GP 4661		.05	Gasket-pinion oil seal	1		
GP 4666		.06	Shield-drive pinion dust	1		
GP 4668		.60	Spacer-drive pinion bearing	1		
GP 4676		.55	Retainer-drive pinion grease assy	1		
GP 4842		3.60	Flange-universal joint axle end	1		

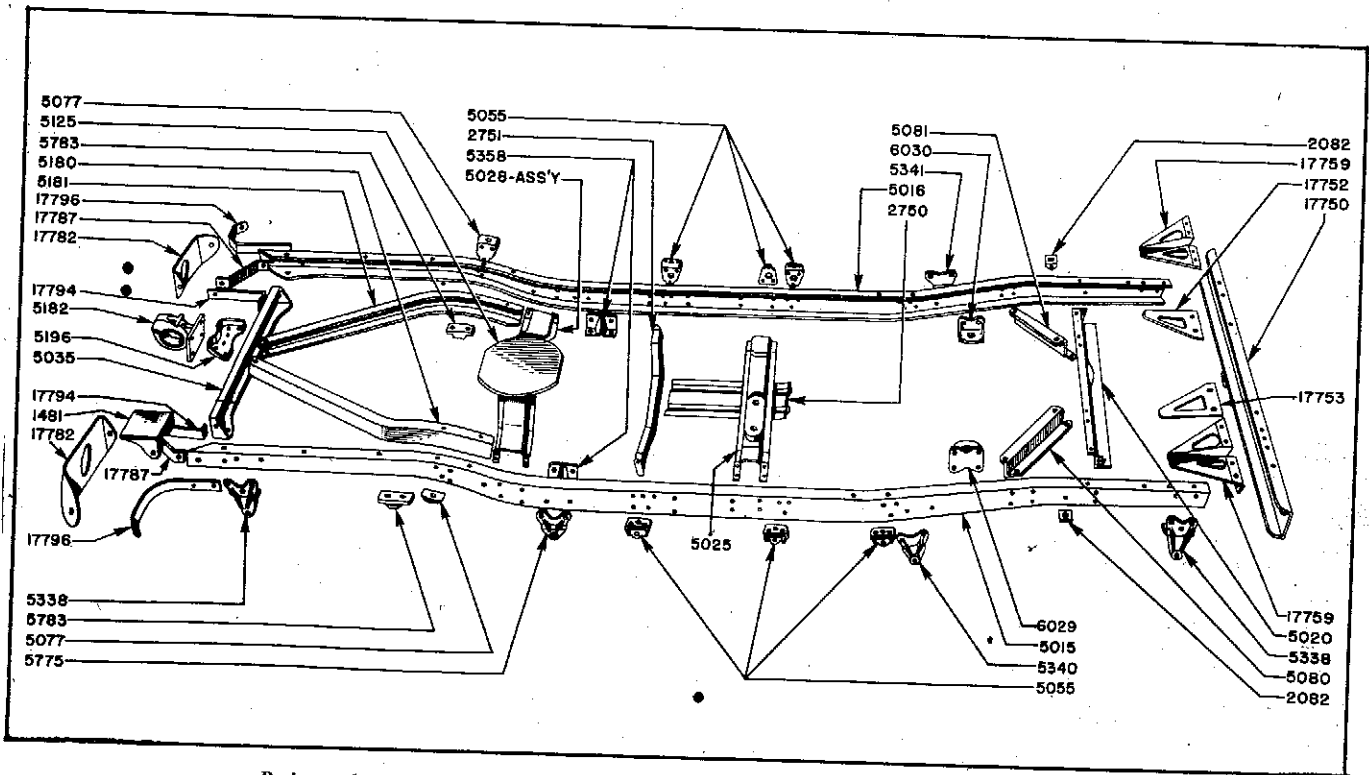
Frame

GP 5005-A		*75.00	Frame assy	1		
GP 5005-B			Frame assy		1	
GP 5015		*18.00	Frame side rail-RH	1	1	
GP 5016-A		*18.00	Frame side rail-LH	1		
GP 5016-B			Rail-frame side-LH		1	
GP 5020		6.75	Cross member #1 - frame	1	1	
GP 5025		6.75	Cross member #2 - frame	1	1	
GP 5028-A		7.25	Cross member #3 - frame	1		
GP 5028-B			Member-frame cross No.3		1	
GP 5035		5.25	Cross member rear - frame	1	1	



# CHASSIS PARTS AND PRICE LIST

PART NUMBER	CLASS	LIST PRICE	PART NAME	STEERING		MODEL
				2-W	4-W	



Basic numbers only shown on illustration. Order by Part Numbers shown in list of parts.

Part Number	Price	Description	2-W	4-W
GP 5055-A	1.00	Bracket-frame to #2 cross member Reqd.as #1,2 & 3 body hole brkt.-RH side Reqd.as #2 body hole brkt.-LH side Reqd.as #2 cross member brkt.	5	5
GP 5055-B	1.00	Bracket-frame body hole #3-LH side		
GP 5056	.65	Guide-crank handle	1	1
GP 5077	.50	Bracket-body to frame-rear	1	1
GP 5080	5.75	Brace-frame #1 cross member-RH	2	2
GP 5081	5.75	Brace-frame #1 cross member-LH	1	1
GP 5094	7.75	Plate assy-frame master cyl.attaching 353202-S2 5/16 Nut retainer-special 34144-S2 5/16-24 Plain square nut Reqd.for frame master cyl.attaching plate	1 5 5	1 5 5
GP 5089	.30	Insulator-engine support-rear		
GP 5101	.12	Shield-front brake hose	2	2
GP 5102	.50	Reinforcement-frame to steering gear-LH	1	1
GP 5103	.50	Reinforcement-frame to steering gear-RH	1	1
GP 5125	5.25	Plate-gun mounting	1	1
GP 5146	.80	Gusset-frame to #3 cross member-RH	1	1
GP 5147	.80	Gusset-frame to #3 cross member-LH	2	2





Ford Motor Company



CHASSIS PARTS AND PRICE LIST

PART NUMBER	LIST PRICE	PART NAME	STEERING		MODEL
			2-W	4-W	
<b>Frame Rivets</b>					
		60386-S 1/4 x 5/8 Round Hd solid rivet	52	52	
		60076-S 1/4 x 5/8 Flat Hd rivet	25	25	
		60414-S 1/4 x 3/4 Round Hd solid rivet	1	1	
		62295-S 5/16 x 13/16 Flat Countersunk Hd rivet	6	6	
		60402-S 5/16 x 11/16 Round Hd solid rivet	14	14	
		60400-S 1/4 x 11/16 Round Hd solid rivet	16	16	
		60371-S 1/4 x 9/16 Round Hd rivet	10	10	
		60444-S 5/16 x 7/8 Round Hd solid rivet	27	27	
		60472-S 3/8 x 1 Round Hd solid rivet	2	2	
		60430-S 5/16 x 13/16 Round Hd solid rivet	10	10	
		60457-S 5/16 x 15/16 Round Hd solid rivet	2	2	
		60470-S 5/16 x 1 Round Hd solid rivet	1	1	

**Battery Clamp**

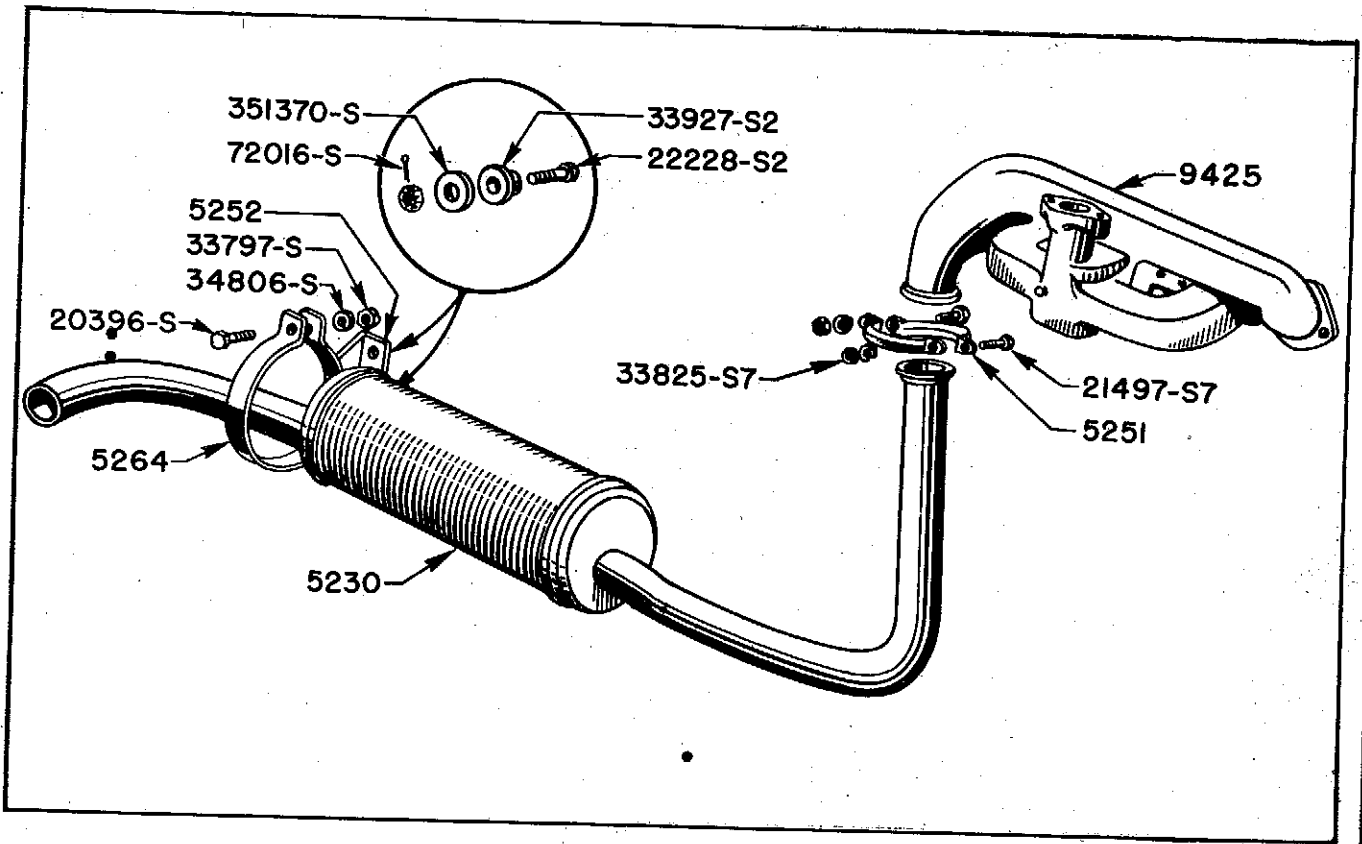
GP 5154	1.50	Support-battery	1	1	
		32248-S2 #8 x 1/2 R.H.Wood screw	4	4	
		Reqd. for battery support to filler block			
GP 5160	1.30	Bracket-battery support to frame	1	1	
		20327-S2 5/16-24 x 5/8 Hex.head bolt	3	3	
		33798-S2 5/16-24 Hex.nut	3	3	
		34806-S2 5/16 Lock washer	3	3	
		Reqd. for battery support to frame brkt. - to siderail			
GP 5165	1.25	Clamp assy-battery	1	1	
		20324-S2 1/4-20 x 5/8 Hex.hd bolt	4	4	
		33795-S2 1/4-20 Hex.nut	4	4	
		34805-S2 1/4 Lock washer	4	4	
		Reqd. for battery clamp spacer to clamp assy			
GP 5175	.15	Bolt-battery clamp	2	2	
		33897-S7-8 3/8-16 Wing nut-for battery clamp bolt	2	2	
		78 700045 Washer-body to frame anti-squeak-large-used as battery clamp bolt washer	2	2	
		356385-S7-8 Washer-special cup-used as battery clamp bolt washer	2	2	

**Pintle Hook**

GP 5180	2.35	Brace-pintle hook to frame-RH	1	1	
GP 5181	2.35	Brace-pintle hook to frame-LH	1	1	
		356413-S Washer-plain 3/8 x 1-1/4 x 1/8-special	2	2	
		Reqd. for frame pintle brace brkt. to brace washer			
GP 5182	8.00	Hook assy-chassis pintle	1	1	
		20443-S2 1/2-20 x 1-1/4 Hex.head bolt	2	2	
		33846-S2 1/2-20 Hex.nut	2	2	
		34849-S2 1/2 lock washer-thick	2	2	
		Reqd. for chassis pintle hook to frame rear cross member to pintle brace brkt.			
		20443-S2 1/2-20 x 1-1/4 Hex.head bolt	2	2	
		33846-S2 1/2-20 Hex.nut	2	2	
		34849-S2 1/2 Lockwasher-thick	2	2	
		Reqd. for chassis pintle hook to frame cross member rear & pintle hook to frame brace			
GP 5196	2.40	Bracket-frame rear cross member to pintle brace	1	1	



CHASSIS PARTS AND PRICE LIST



Basic numbers only shown on illustration. Order by Part Numbers shown in list of parts.

Muffler

GP 5230	4.00	Muffler assy		
GN 5251	.50	Clamp-muffler inlet pipe	1	1
		21477-S7 5/16-18 x 1-5/8 Hex Hd Bolt	2	2
		33825-S 5/16-18 Hex.nut	2	2
		Reqd.for muffler inlet pipe clamp	2	2
GP 5252	3.25	Bracket assy-muffler & clamp		
		22228-S2 5/16-24 x 1-1/4 Hex.hd-bolt-end drilled	1	1
		33977-S2 5/16-24 Hex slotted nut	2	2
		72016-S 3/32 x 3/4 Cotter pin	2	2
		351370-S 5/16 Spec.flat washer	2	2
		Reqd.for muffler bracket to side rail		
GN 5264	.10	Clamp-muffler	1	1
		20396-S 5/16-18 x 1-1/16 Hex.head bolt	1	1
		33797-S 5/16-18 Hex.nut	1	1
		34806-S 5/16 Lock washer	1	1
		Reqd.for muffler clamp	1	1

Front Spring

GP 5310	7.50	Spring assy-front		
GP 5314	.95	Front spring leaf #1	2	2
GP 5315	.65	Front spring leaf #2	2	2
GP 5316	.50	Front spring leaf #3	2	2
GP 5317	.45	Front spring leaf #4	2	2
GP 5318	.35	Front spring leaf #5	2	2
GP 5319	.25	Front spring leaf #6	2	2
GP 5330-A	.06	Clamp-front & rear spring	2	2
GP 5330-B	.07	Clamp-front spring	8	8
			4	4



CHASSIS PARTS AND PRICE LIST

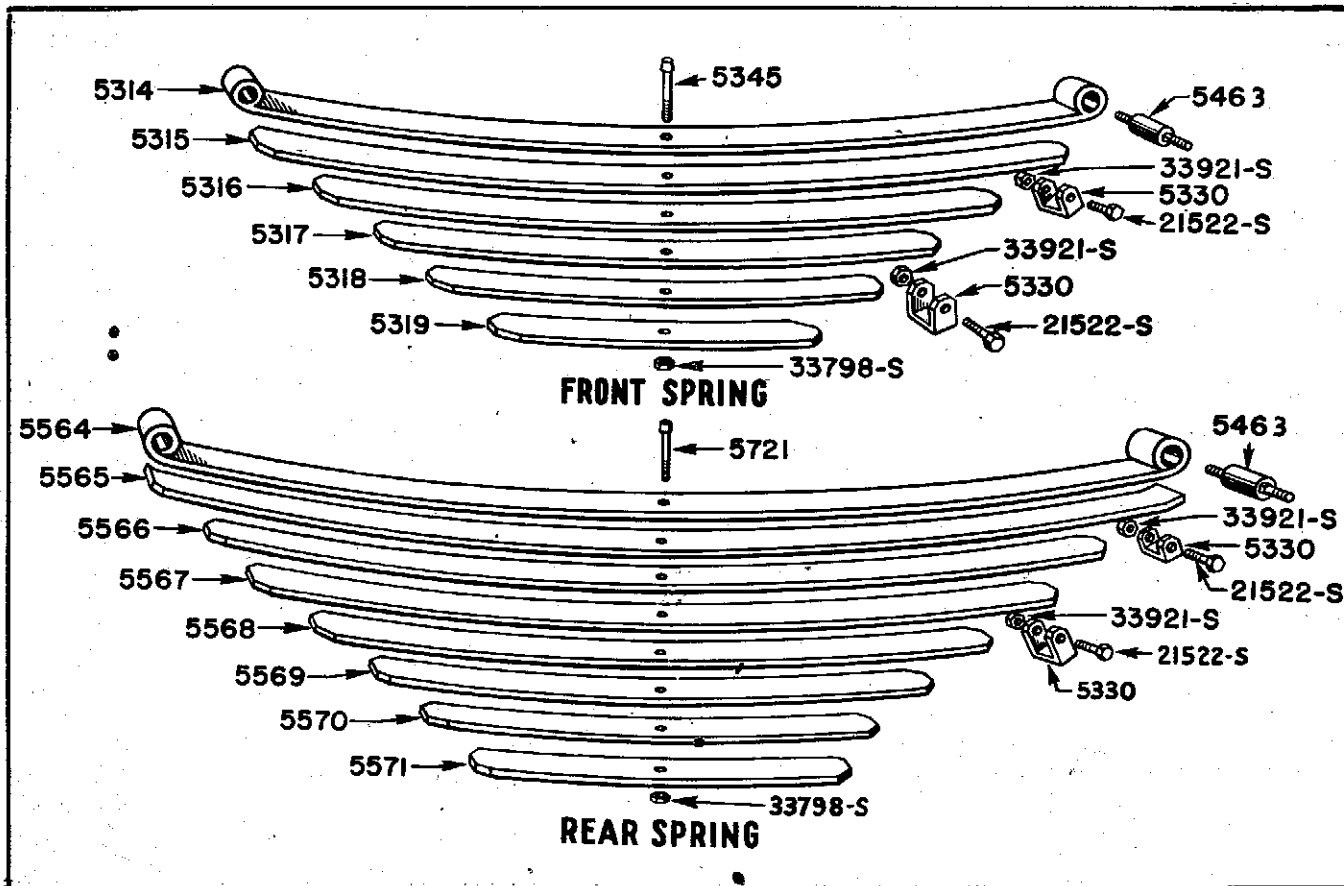
PART NUMBER	LIST PRICE	PART NAME	STEERING		MODEL
			2-W	4-W	
		21522-S Bolt-1/4-28 x 2-3/8-for frt.& rear spring clamp	16	16	
		33921-S Nut-1/4-28 hex.check-for frt.& rear spring clamp	16	16	
		21524-S 5/16-24 x 2-3/8 Hex Hd bolt			
		33923-S 5/16-24 Check nut			
		Reqd.for front spring clamp			
GP 5330-C	.07	Clamp-rear spring	4	4	
GP 5330-D	.06	Clamp-front spring	4	4	
		60371-S Rivet-1/4 x 9/16 Rd.hd.-for R.Spring Clamp	8	8	
GP 5338	3.80	Bracket-front spring-front-used as frt.spring bracket-frt. & rear spring bracket-rear	4	4	
		60444-S Rivet-5/16 x 7/8 solid-for rear spring brkt. rear-to cross member-round head	2	2	
		60444-S Rivet-5/16 x 3/4 rd.hd.	10	10	
		6 Reqd.for frt.spr.shackle brkt.frt.to side member			
		4 Reqd.for rear spr.shackle brkt.rear to side member			
GP 5340-A	2.10	Bracket-front spring rear-RH -2" long	1	1	
GP 5340-B	2.25	Bracket-front spring rear-RH -3" long	1	1	
GP 5341-A	2.10	Bracket-front spring rear-LH -2" long	1	1	
GP 5341-B	2.25	Bracket-front spring rear-LH -3" long	1	1	
		60444-S Rivet-5/16 x 3/4 solid-for frt.spr.brkt.rear to side member-rd.head	5	5	
		60444-S Rivet-5/16 x 7/8 solid-for frt.spr.brkt.rear to frame master cyl.attaching plate	1	1	
GP 5345	.15	Bolt-front spring tie	2	2	
		33798-S2 Nut-5/16-24 Hex.-for frt spr.center tiebolt	2	2	
GP 5455	.35	Clip-front spring	4	4	
		34849-S Lockwasher-1/2 heavy-for frt.spr.clip	8	8	
		33882-S Nut-1/2-20 Hex.thick-for frt.spr.clip	8	8	
		33846-S2 Nut-1/2-20 Hex nut for frt.spring clip	8	8	
OILY 5463	.40	Stud assy-frt.spr.-used as frt.& rear spr.stud assy	12	12	
		34031-S18 Nut-7/16-20 Hex.hd thick	16	16	
		8 Reqd.for frt.spr.shackle stud nut-frt.			
		8 Reqd.for rear spr.shackle stud nut-rear			
		33981-S18 Nut-7/16-20 hex.slotted thin	8	8	
		4 Reqd.for frt.spr.shackle stud nut-rear			
		4 Reqd.for rear spr.shackle stud nut-front			
		72035-S Cotter pin-1/8 x 1	24	24	
		12 Reqd.for frt.spr.shackle stud nut			
		12 Reqd.for rear spr.shackle stud nut			
OILY 5466	.05	Washer-spring shackle stud retaining	8	8	
OILY 5468	.10	Bar-front spring shackle	4	4	
GP 5468	.20	Link-rear spring shackle	4	4	
GP 5472	7.00	Plate-front & rear spring clip-RH	2	2	
GP 5473	7.00	Plate-front & rear spring clip-LH	2	2	

Rear Spring

GP 5560	8.50	Spring assy-rear	2	2	
GP 5564	1.10	Rear spring leaf #1			
GP 5565	.80	Rear spring leaf #2			
GP 5566	.65	Rear spring leaf #3			
GP 5567	.55	Rear spring leaf #4			
GP 5568	.50	Rear spring leaf #5			
GP 5569	.40	Rear spring leaf #6			
GP 5570	.35	Rear spring leaf #7			
GP 5571	.25	Rear spring leaf #8			



CHASSIS PARTS AND PRICE LIST



Basic numbers only shown on illustration. Order by Part Numbers shown in list of parts.

GP 5705	.25	Clip-rear spring	4	4
		34849-S Lockwasher-1/2 heavy-for rear spr.clip	8	8
		33882-S Nut-1/2-20 Hex.thick-for rear spring clip	8	8
		33842-S2 Nut-1/2-20 Hex	8	8
GP 5721	.20	Bolt-rear spring tie	2	2
		33798-S2 Nut-5/16-24 Hex.-for rear spring center tie bolt	2	2
GP 5775	1.60	Bracket-rear spring-front	2	2
		60444-S Rivet-5/16 x 3/4 rd.head	6	6
		Reqd.for rear spr.bracket-front to side member		
GP 5783	.20	Bumper-axle	4	4
BB 5784	.03	Washer-rear axle bumper	8	8
		23424-S2 5/16-24 x 1-1/8 Rd.hd. carriage bolt	8	8
		33798-S2 5/16-24 Hex.nut	8	8
		34806-S 5/16 Lock washer	8	8
		Reqd.for axle bumper to frame		

Cylinder

GP 6010	*48.00	Block-cylinder-assy	1	1
GP 6017	5.00	Cover-cyl.timing gear-side	1	1
9N 6018	.01	Gasket-timing gear side cover	1	1
GP 6019	10.00	Cover-cyl.front	1	1
GP 6020	.05	Gasket-cyl.front cover	1	1
GP 6029	.90	Bracket-engine front support-RH	1	1
7B 6029	.02	Washer-engine support to insulator bolt-front & rear	4	4
GP 6030	.90	Bracket-engine front support-LH	1	1
GP 6031	1.50	Support assy-engine front	1	1



CHASSIS PARTS AND PRICE LIST

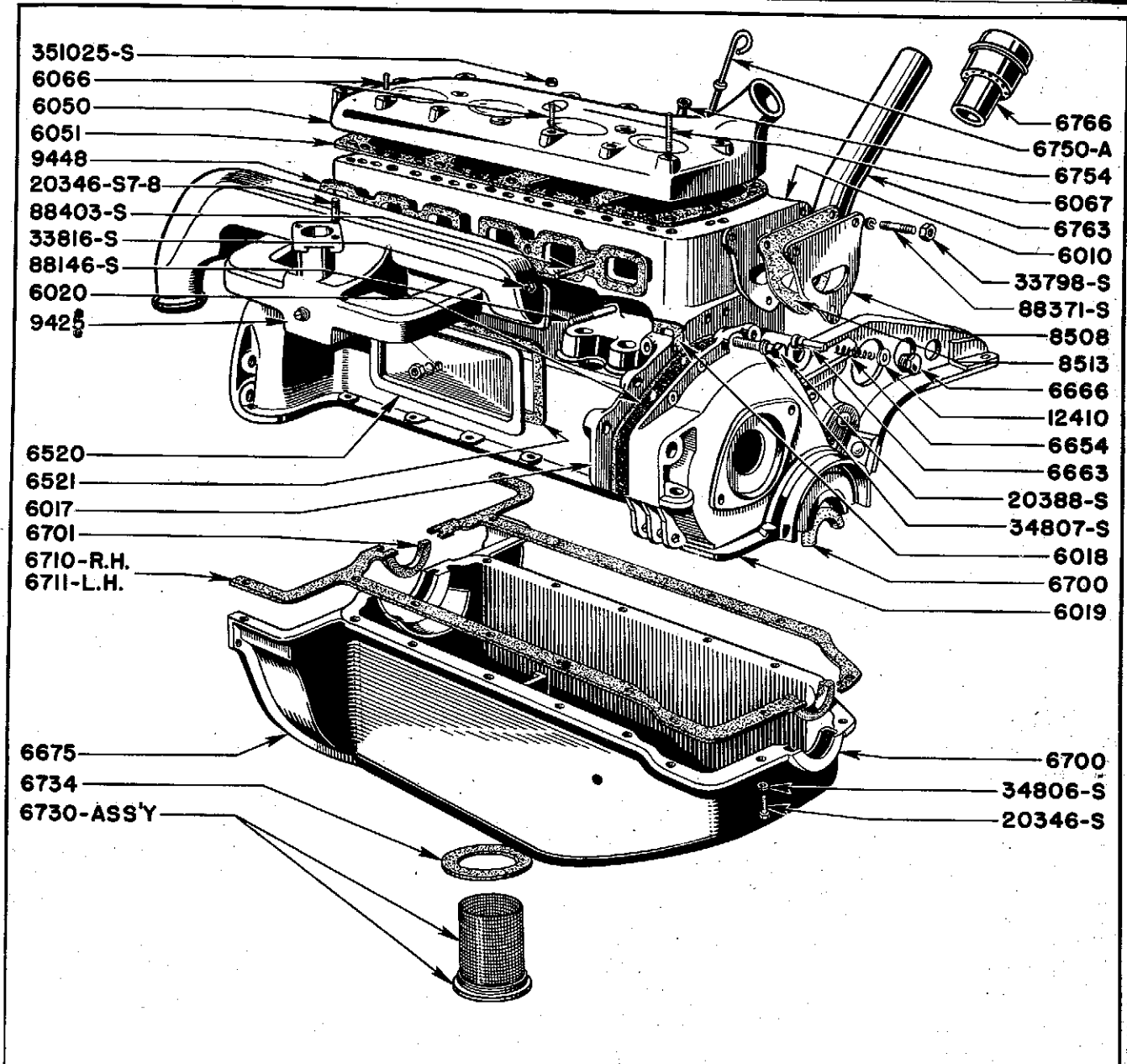
PART NUMBER	LIST PRICE	PART NAME	STEERING		MODEL
			2-W	4-W	
B 6033	.01	Washer-engine support to insulator-upper-front & rear	4	4	
B 6038-C	.40	Insulator-engine support-upper	2	2	
78 6039	.20	Insulator-engine rebound-front & rear	4	4	
9N 6043	.03	Plug-cyl.block oil pipe-front	1	1	
B 6047	.12	Bolt-engine rear support to insulator	4	4	
		34031-S2 7/16-20 Hex nut slotted thick	4	4	
		72016-S 3/32 x 3/4 Cotterpin	4	4	
		Reqd.as front & rear mtr.support to insulator bolt			
GP 6048	1.25	Seat-engine support insulator-rear	2	2	
78 6048-A	.07	Seat-engine insulator	2	2	
GP 6050	19.50	Cylinder head	1	1	
9N 6051	.60	Gasket-cylinder head	1	1	
52 6057-B	.20	Insert-valve seat-exhaust	4	4	
01A 6057	.20	Insert-valve seat-intake	4	4	
9N 6066	.03	Stud-cylinder head-short	12	12	
18 6066	3.000	Stud-cylinder-medium	4	4	
		351025-S7-S8 7/16 x 20 Hex nut	18	18	
		Reqd.for cylinder head studs			
48 6067	3.000	Stud-cylinder head-long	2	2	
GP 6110	1.50	Piston-alum-std. 3 ring	4	4	
19A 6135-A	.25	Pin-piston-std.	4	4	
19A 6135-B	.25	Pin-piston-.002 oversize	AsReq	AsReq	
19A 6135-C	.25	Pin-piston-.002 undersize	AsReq	AsReq	
19A 6135-D	.25	Pin-piston-.001 oversize	AsReq	AsReq	
78 6140	.400	Retainer-piston pin	8	8	
9NS 6149-A	3.00	Rings-piston-set in carton			
		74120-S Plug-expansion	1	1	
99A 6150-A	.10	Ring-piston-compression-top groove only	4	4	
99A 6151	.05	Expander-compression piston ring-second groove	4	4	
99A 6154	.05	Expander-oil control piston ring	4	4	
99A 6155-A	.12	Piston ring-compression-second groove-std-with expander	4	4	
99A 6156-A	.20	Piston ring-oil control-std-with expander	4	4	
9N 6200	2.75	Rod assy-connecting	4	4	
		352250-S Special cotterpin	8	8	
		Reqd.for connecting rod to crankshaft			
18 6207-A	.08	Bearing-connecting rod	4	4	
9N 6211-A	.25	Liner-connecting rod bearing-standard	8	8	
9N 6211-B	.25	Liner-connecting rod bearing-.001 undersize	8	8	
9N 6211-C	.25	Liner-connecting rod bearing-.002 undersize	8	8	
		355593-S 3/8-24xl spec.hex head screw	4	4	
		34807-S 3/8 Lockwasher	4		
		33925-S2 3/8-24 hex check nut	1		
		33800-S7 3/8-24 hex nut	3		
9N 6211-D	.25	Liner-connecting rod bearing-.005 undersize	8	8	
9N 6211-E	.25	Liner-connecting rod bearing-.010 undersize	8	8	
9N 6211-F	.25	Liner-connecting rod bearing-.012 undersize	8	8	
9N 6211-G	.25	Liner-connecting rod bearing-.020 undersize	8	8	
18 6212	.03	Nut-connecting rod	8	8	

Camshaft and Crankshaft

ZNC 6250	9.50	Camshaft was GP 6250	1	1	
91A 6256-B	2.50	Gear-camshaft	1	1	
		350400-S 5/16-24 x 5/8 Hex screw	4	4	
		Reqd.for camshaft gear to camshaft			
91A 6258	.05	Ring-camshaft gear locking	1	1	
91A 6266	.12	Seal-cyl.block camshaft bearing-rear	1	1	
9N 6303	18.50	Crankshaft	1	1	
48 6306	1.10	Gear-crankshaft	1	1	
40 6310	.07	Oil slinger-crankshaft	1	1	



### CHASSIS PARTS AND PRICE LIST



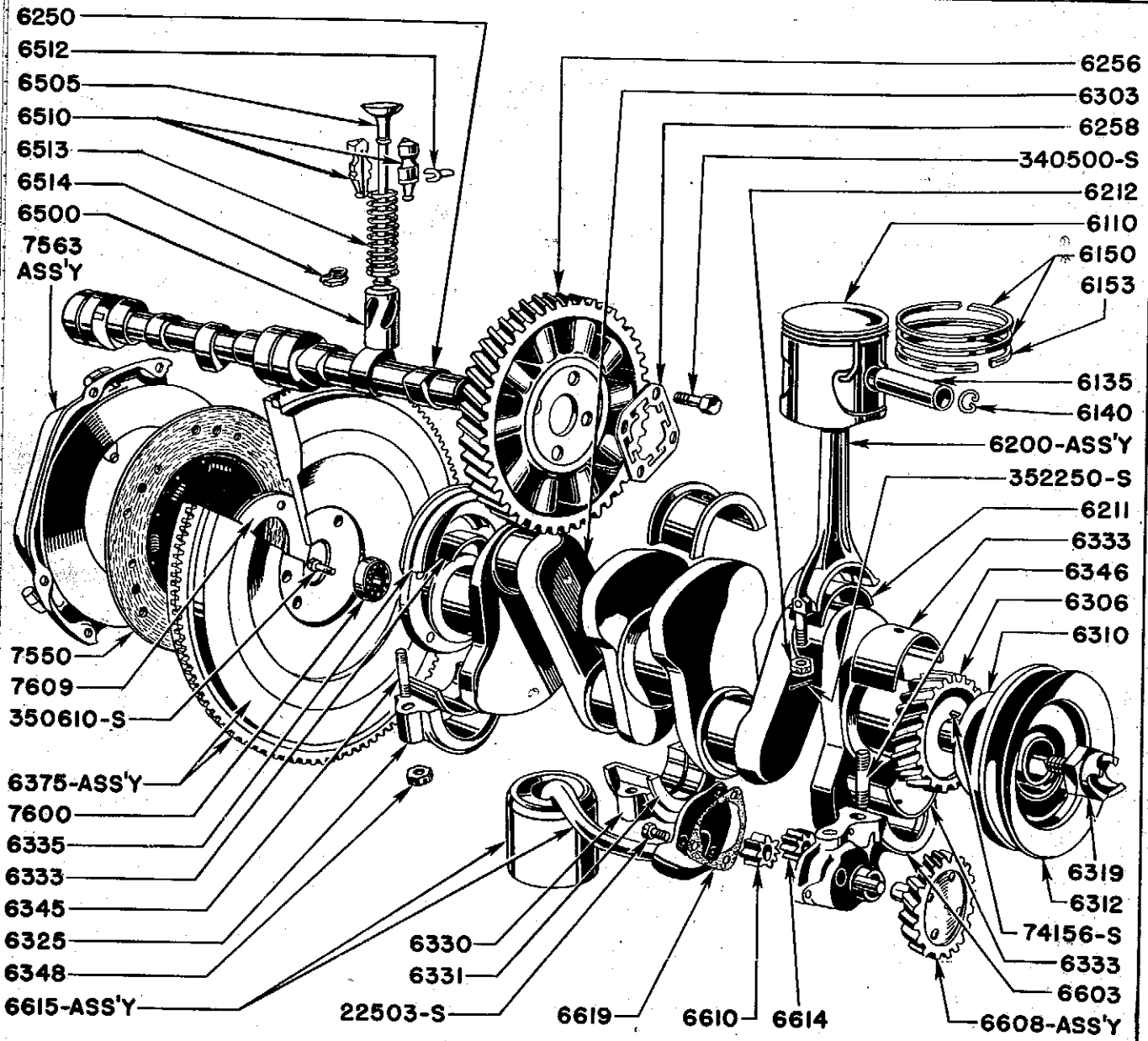
Basic numbers only shown on illustration. Order by Part Numbers shown in list of parts.

GP 6312	2.50	Pulley assy-crankshaft	1	1
B 6319-A	.30	Ratchet-crankshaft	1	1
9N 6325	.95	Bearing cap-crankshaft-rear	1	1
9N 6330	.95	Bearing cap-crankshaft-center	1	1
9N 6331-A	.90	Liner-crankshaft bearing-center	2	2
9N 6331-B	.90	Liner-crankshaft bearing-center-.001 U/S)	2	2
9N 6331-C	.90	Liner-crankshaft bearing-center-.002 U/S	2	2
9N 6331-D	.90	Liner-crankshaft bearing center-.005 U/S	2	2
9N 6331-E	.90	Liner-crankshaft bearing-center-.010 U/S	2	2
9N 6331-F	.90	Liner-crankshaft bearing-center-.012 U/S	2	2
9N 6331-G	.90	Liner-crankshaft bearing-center-.020 U/S	2	2
9N 6333-A	.40	Liner-crankshaft bearing-front & rear-Std	4	4
9N 6333-B	.40	Liner-crankshaft bearing-front & rear-.001 U/S	4	4



### CHASSIS PARTS AND PRICE LIST

PART NUMBER	C.A.S.B.	LIST PRICE	PART NAME	STEERING		MODEL
				2-W	4-W	



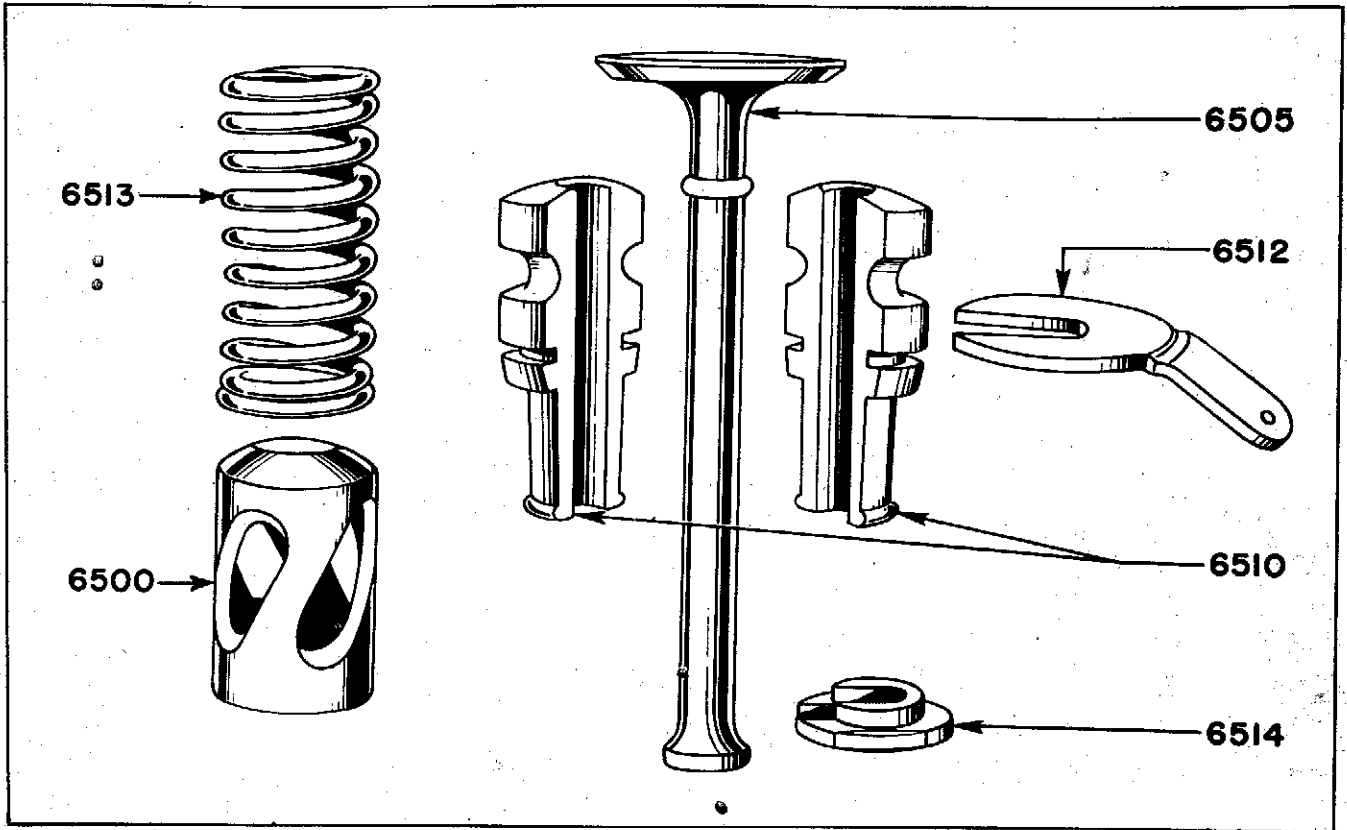
Basic numbers only shown on illustration. Order by Part Numbers shown in list of parts.

9N 6333-C	.40	Liner-crankshaft bearing-front & rear .002 U/S	4	4
9N 6333-D	.40	Liner-crankshaft bearing-front & rear-.005 U/S	4	4
9N 6333-E	.40	Liner-crankshaft bearing-front & rear-.010 U/S	4	4
9N 6333-F	.40	Liner-crankshaft bearing-front & rear-.012 U/S	4	4
9N 6333-G	.40	Liner-crankshaft-bearing-front & rear-.020 U/S	4	4
91A 6335	.25	Oil seal-crankshaft rear bearing		
9N 6345	.12	Stud-crankshaft bearing cap-short	1	1
9N 6346	.15	Stud-crankshaft bearing cap-long	5	5
B 6348	.05	1/2-20 Castle nut-special	1	1
			6	6



CHASSIS PARTS AND PRICE LIST

PART NUMBER	LIST PRICE	PART NAME	STEERING		MODEL
			2-W	4-W	



Basic numbers only shown on illustration. Order by Part Numbers shown in list of parts.

**Flywheel and Valves**

GP	6375	13.50	Flywheel assy	1	1
			350645-S 7/16-20 x .84 Hex Head bolt-drilled hd. Reqd. for flywheel to crankshaft	4	4
9N	6384	1.40	Gear-flywheel starting	1	1
B	6387	.04	Dowel-flywheel to crankshaft	2	2
18	6500-A	.25	Rod-valve push	8	8
01A	6505	.50	Valve-for intake	4	4
9N	6505	.50	Valve-exhaust	4	4
40	6510-B	Pr. .30	Bushing-valve guide	8	8
40	6512	1.55C .02	Retainer-valve guide bushing	8	8
2NC	6513	.25	Spring-valve	8	8
40	6514-B	2.50C .03	Retainer-valve spring-cold headed proc.	8	8
9N	6520	.25	Cover-valve chamber	2	2
9N	6521	.10	Gasket-valve chamber cover	2	2
			88146-S 5/16 24 x 5/16 - 18 x 2-3/16 Stud	2	2
			34806-S 5/16 Lockwasher	2	2
			33798-S 5/16 - 24 Hex nut	2	2
			Reqd. for valve chamber cover		

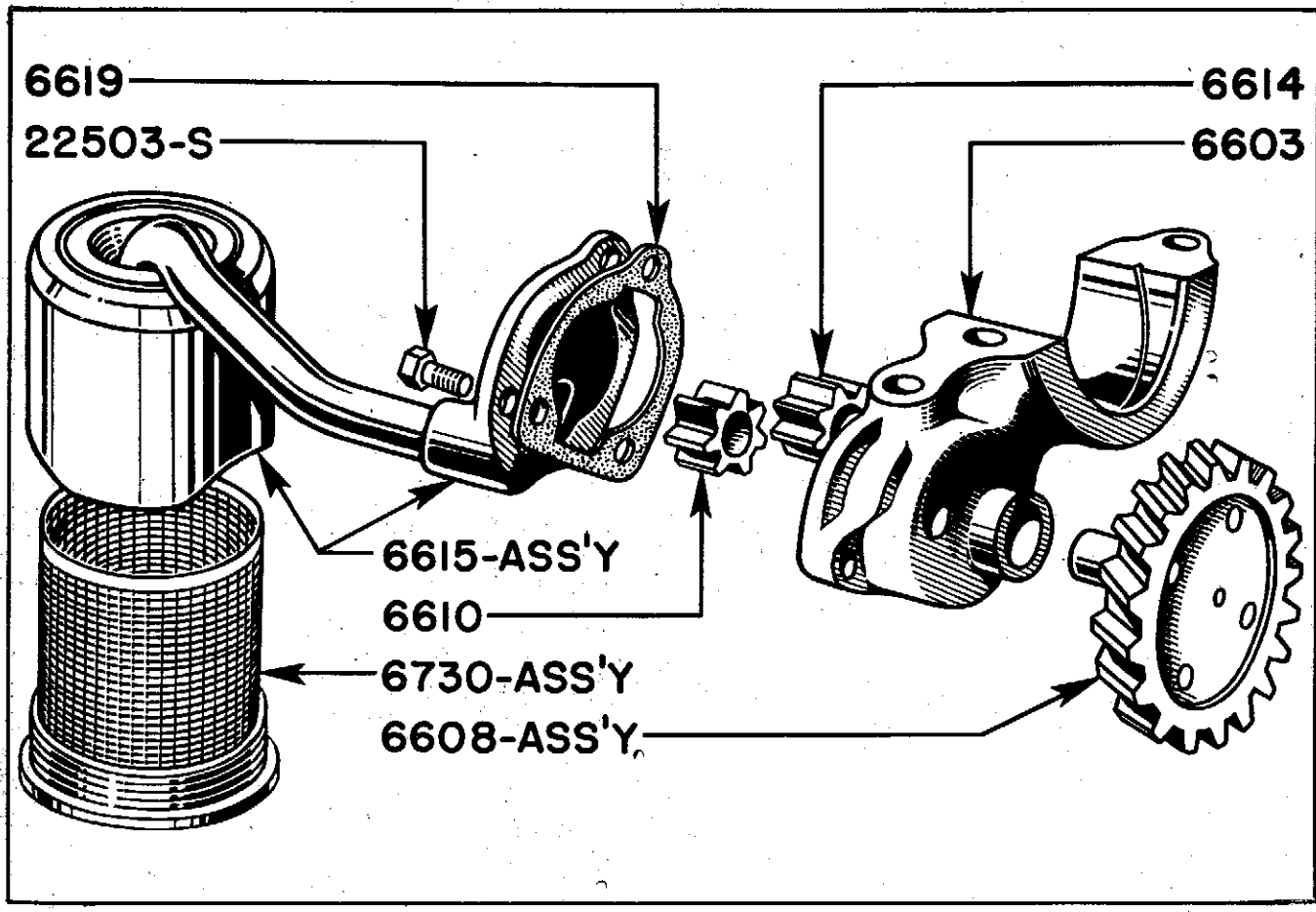
**Oil Pump, Oil Pan and Engine Pan**

9N	6603	2.90	Body assy-oil pump	1	1
9N	6608	2.10	Gear & shaft assy-oil pump drive	1	1
52	6610-B	.55	Gear-oil pump-driven	1	1
9N	6612	.08	Bushing-oil pump body	1	1
52	6614-B	.55	Gear-oil pump-driving	1	1





CHASSIS PARTS AND PRICE LIST



Basic numbers only shown on illustration. Order by Part Numbers shown in list of parts.

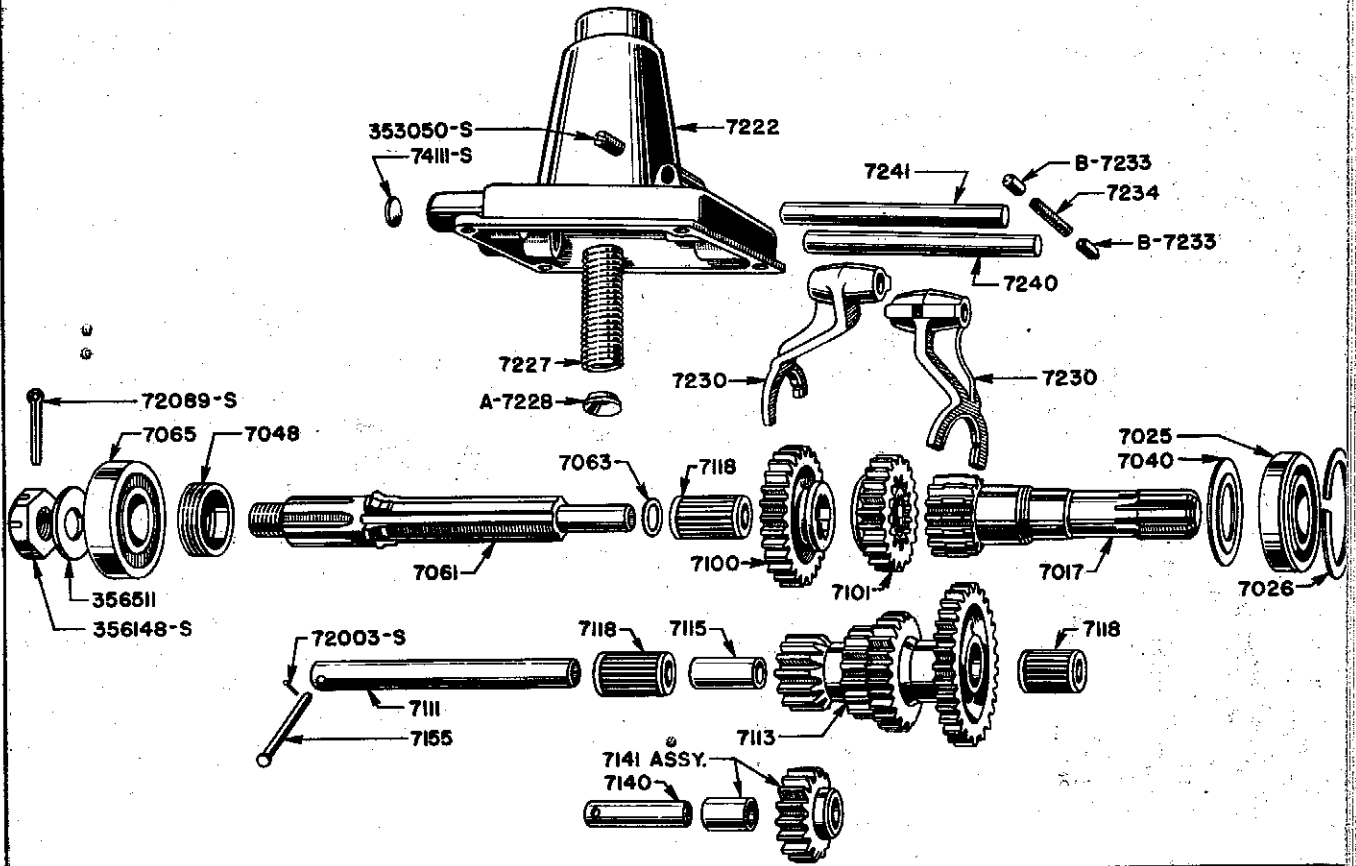
9N 6615	2.50	Tube assy-oil pump inlet & screen cover	1	1
		22503-S 1/4-20 x 5/8 Hex.Head bolt-drilled hd.	3	3
		Reqd.for oil pump cover to body		
9N 6619	.01	Gasket-oil pump cover	1	1
01A 6654	.01	Spring-oil relief valve	1	1
01A 6663	.01	Plunger-oil relief valve	1	1
6B 6666	.06	Nut-oil relief valve	1	1
2NC 6675	26.75	Oil pan assy ( was GP 6675)	1	1
B 6700	.08	Packing-oil pan & cyl.front cover	2	2
91A 6701	.10	Crankshaft packing-rear	2	2
9N 6710	.12	Gasket-oil pan-RH	1	1
9N 6711	.12	Gasket-oil pan-LH	1	1
91A 6730	3.15	Plug & screen assy-oil pan	1	1
91A 6734	.04	Gasket-oil pan drain plug	1	1
2NC 6750	.25	Indicator-oil level (was GP 6750)	1	1
2NC 6754	.20	Tube-oil level indicator (was GP 6754)	1	1
022A6763	.30	Pipe assy-oil filler	1	1

Transmission

GP 7000		Transmission assy	1	1
GP 7006	14.50	Case-transmission	1	1
		25692-S2 1/2-20 x 1-5/8 End drilled Hex Hd bolt	3	3
		34809-S 1/2 Lockwasher	4	4
		72044-S 1/8 x 1-1/8 Cotterpin	3	3



CHASSIS PARTS AND PRICE LIST



Basic numbers only shown on illustration. Order by Part Numbers shown in list of parts.

		20432-S 1/2 - 13 x 1-1/4 Hex Hd bolt	1	1	
		Reqd. for trans. case to transfer case			
		353051-S 3/4 Pipe plug-for trans. case	2	2	
GP	7017	5.00 Gear-trans. main drive	1	1	
B	7025-A	2.45 Ball brg-trans. main drive gear	1	1	(Federal #1208-CG)
B	7026	.05 Snap ring-trans. main drive gear-bearing retainer	1	1	
B	7040	.08 Baffle-trans. main drive gear oil	1	1	
GP	7045	.20 Ring-trans. main drive gear-brg. lock	1	1	
GP	7048	.40 Oil seal-trans. main shaft	1	1	
GP	7050	4.75 Retainer-trans. main drive gear-bearing	1	1	
		20366-S 5/16-18 x 7/8 Hex Hd bolt	4	4	
		34846-S 5/16 Lockwasher	4	4	
		Reqd. for trans. main brg. retainer to trans. case			
78	7051	.02 Gasket-trans. main drive gear bearing ret.	1	1	
GP	7061	5.25 Shaft-trans. main	1	1	
		356148-S 7/8-16 Slotted Hex nut	1	1	
		356511-S 29/32 I.D. x 1-3/4 O.D. Washer	1	1	
		72089-S 1/8 x 1-3/4 Cotterpin	1	1	
		Reqd. for transmission main shaft to gear			
B	7063	.01 Spacer-trans. pilot bearing	1	1	
GP	7065	2.85 Bearing-trans. main shaft ball	1	1	(Federal #1307 GF)
A	7100	2.80 Gear-trans. low & reverse sliding	1	1	
A	7101	2.50 Gear-trans. high & inter. sliding-finish	1	1	
GP	7111	.65 Countershaft-trans.	1	1	
A	7113	5.50 Gear-trans. countershaft	1	1	
A	7115	.05 Spacer-trans. countershaft gear bearing	1	1	
B	7118-A	.35 Bearing-long roller 3/4 I.D. x 1-1/8 O.D. x 1.453 - 1.432	2	2	
B	7121-A	.40 Brg. assy-trans. countershaft gear roller	1	1	(Bower #24-1256)

GP 18397			Kit-universal joint spider-consists of 1 2NC-7084, 4 GP-7074				4 OIL 7096, 4 OIL-7078-A, 4 OIL 7083-
GP 7077	2.75	1	Cap-universal joint dust	1	1		
		1	GP 4866 Yoke-coupling shaft flange center	1	1		
	3.25	1	GP 4865 Flange & sealer-transfer case univ. joint	1	1		
	3.60	1	GP 4842 Flange-universal joint axle end	1	1		
			Reqd. for universal joint knuckle				
		1	353088-S 1-5/16" Expansion plug	1	1		
		1	353043-S7 1/4-28 Lubricator fitting	1	1		
	4.15	1	GP 4841 Knuckle-universal joint	1	1		
	9.25	1	GP 4605 Shaft-rear drive	1	1		
			Reqd. for universal joint "U" bolt				
		2	GP 4533 Strap-universal joint U Bolt lock	2	2		
		12	33784-S 5/16-24 Hex nut	12	12		
	.15	2	OIL 4529 "U" bolt-universal joint	2	2		

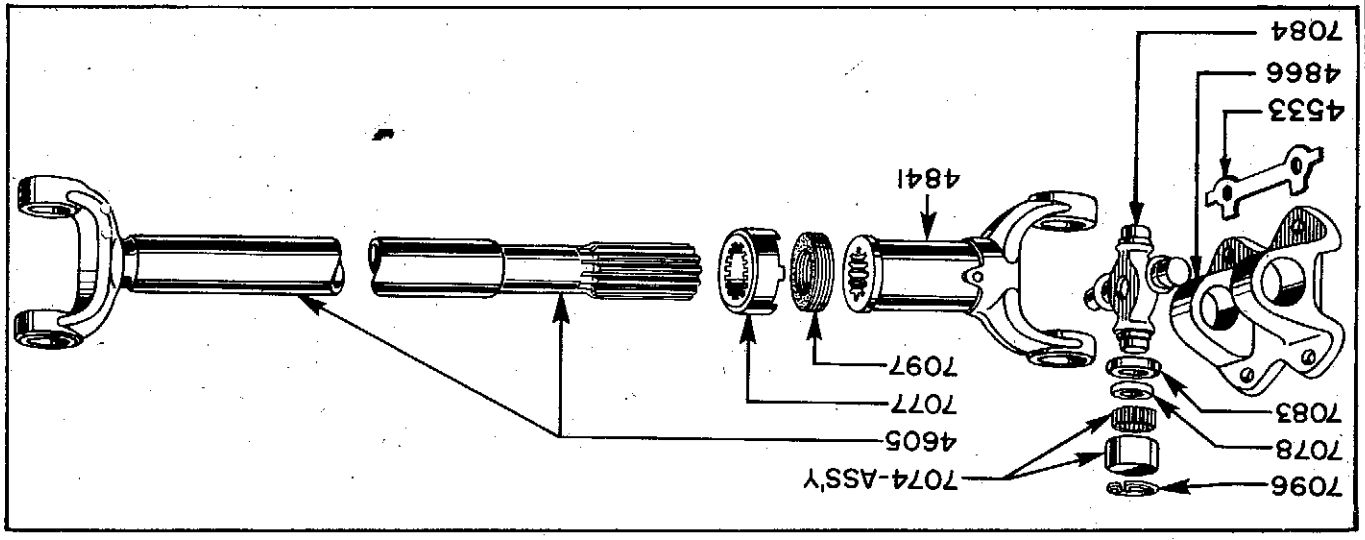
### Universal Joint—Rear Axle

GP 7729	4.10	1	Flange & sealer-transfer case universal joint front	1	1		
GP 7097	.06	1	Seal-universal joint knuckle dust cap	1	1		
GP 7077	.20	1	Cap-universal joint	1	1		
	3.60	1	GP 4842 Flange-universal joint axle end	1	1		
			Reqd. for universal joint knuckle				
		1	353088-S 1-5/16" Expansion plug	1	1		
		1	353043-S7 1/4-28 Lubricator fitting	1	1		
	4.15	1	GP 4841 Knuckle-universal joint	1	1		
			Reqd. for universal joint "U" bolt				
	.05	4	GP 4533 Strap-universal joint U Bolt lock	4	4		
		4	33784-S 5/16-24 Hex nut	4	4		
	.15	4	OIL 4529 "U" bolt-universal joint	4	4		
	9.25	1	GP 3370 Shaft-front assy	1	1		
GP 4842	3.60	1	Flange-universal joint axle end	1	1		

### Universal Joint—Front Axle

B 7140-A	.30	1	Shaft-trans, reverse idler	1	1		
A 7141-A	1.65	1	Gear & bushing assy-trans, idler gear	1	1		
B 7155-A	.04	1	Pin-trans, counterhaft & reverse idler shaft ret.	1	1		
		1	72003-S 1/16 x 1/2 Cotterpin-extended prong	1	1		
			Reqd. as reverse idler shaft retainer pin				

Basic numbers only shown on illustration. Order by Part Numbers shown in list of parts.



PART NUMBER	LIST PRICE	PART NAME		STEERING	MODEL
		2-W	4-W		

### CHASSIS PARTS AND PRICE LIST



*Ford Motor Company*





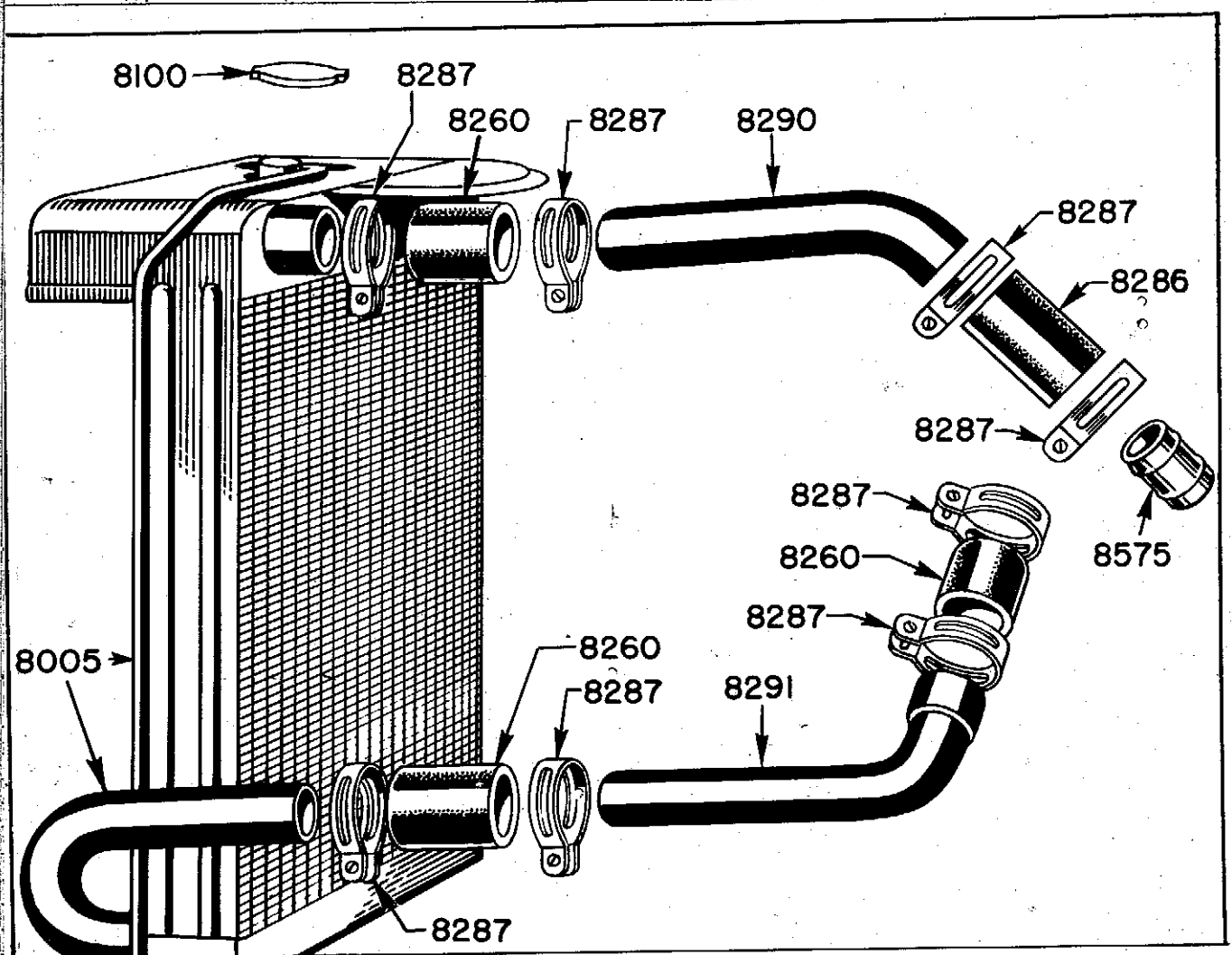
CHASSIS PARTS AND PRICE LIST

PART NUMBER	LIST PRICE	PART NAME	STEERING		MODEL
			2-W	4-W	
GP 7708	1.20	Cover-transfer case bottom	1	1	
		20326-S 5/16-18 x 5/8 Hex head bolt	10	10	
		34806-S 5/16 Lockwasher	15	15	
		Reqd. for bottom case cover	10	10	
		Reqd. for rear case cover	5	5	
GP 7709	.06	Gasket-transfer case bottom cover	1	1	
GP 7710	5.80	Lever-transfer case front wheel shift	1	1	
GP 7711	3.80	Fork-transfer case front axle shift	1	1	
GP 7712	4.20	Fork-transfer case underdrive shift	1	1	
		355550-S 3/8-24 x 3/4" Set screw	2	2	
		Reqd. for shift fork to shaft			
GP 7718	.65	Bearing-transfer case inter shaft roller	2	2	(Hyatt #94322)
GP 7719	3.00	Bearing-transfer case output shaft front	1	1	(New Departure #206)
GP 7720	.08	Plate-transfer case name	1	1	
		92037-S19 #2 x 1/4 Drive screw	4	4	
		Reqd. for transfer case name plate to transfer case			
GP 7722	10.40	Gear-transfer case main shaft	1	1	
GP 7723	**2.40	Cone and roller-transfer case output shaft	2	2	(Timken #14131)
GP 7729	4.10	Flange and sealer-transfer case universal joint front	1	1	
		355551-S 3/8-24 x 1-1/8 Special Hex Hd bolt	4	4	
		33786-S 3/8-24 Hex nut	4	4	
		72071-S 1/8 x 1-1/2 Cotterpin	4	4	
		Reqd. for transfer case universal joint flange	4	4	
		356125-S 3/4-20 Hex nut	2	2	
		356504-S Flat washer	2	2	
		Reqd. for universal flanges to transfer case output shaft and clutch shaft			
GP 7742	21.80	Gear-transfer case intermediate	1	1	
GP 7743	1.50	Shaft-reverse idler gear	1	1	
GP 7744	.60	Washer-transfer case intermediate shaft thrust	2	2	
GP 7746	.08	Gasket-transfer case oil seal	2	2	
GP 7747	.15	Slinger-transfer case dust	2	2	
GP 7754	.35	Breather-transfer case-assy	1	1	
		72043-S 3/32 x 1-1/8 Cotterpin	1	1	
		Reqd. for transfer case breather assy cotter			
GP 7756	.01	Gasket-transfer case	1	1	
GP 7761	11.50	Shaft-transfer case clutch	1	1	
GP 7762	6.10	Gear-transfer case clutch	1	1	
GP 7763	22.70	Shaft-transfer case output and bushing assy	1	1	
		72071-S 1/8 x 1-1/2 Cotterpin	2	2	
GP 7765	11.80	Gear-transfer case output shaft rear sliding	1	1	
GP 7766	13.20	Gear-transfer case output shaft-front	1	1	
GP 7767	.10	Plate-transfer case inter-gear shaft lock	1	1	
		20328-S 3/8-16 x 5/8 Hex head bolt	1	1	
		34807-S 3/8 Lockwasher	1	1	
		Reqd. for intermediate gear shaft lock plate	1	1	
GP 7768	6.70	Cap and bushing assy-transfer case output shaft-rear	1	1	
		355533-S 3/8-16 x 2 hex head screw	3	3	
		356205-S 3/8 Lockwasher	4	4	
		355554-S 3/8-16x1 hex head bolt	1	1	
		Reqd. for output shaft rear bearing cap	1	1	
		20522-S 3/8"-16 x 2" Hex head bolt	3	3	
		Reqd. for output shaft rear bearing cap			
GP 7770-A	.50	Retainer-transfer case output shaft	2	2	
GP 7771	2.10	Washer-transfer case output shaft thrust	1	1	
GP 7773	.05	Gasket-transfer case front bearing cap	1	1	
GP 7774	8.70	Cap-transfer case output shaft front bearing	1	1	
		355554-S 3/8-16 x 1" Hex head bolt	6	6	
		356205-S 3/8 Lockwasher	6	6	
		Reqd. for output shaft front bearing cap	5	5	
		355698-S 7/16-20 Hex head bolt-special	2	2	



CHASSIS PARTS AND PRICE LIST

PART NUMBER	LIST PRICE	PART NAME	STEERING		MODEL
			2-W	4-W	

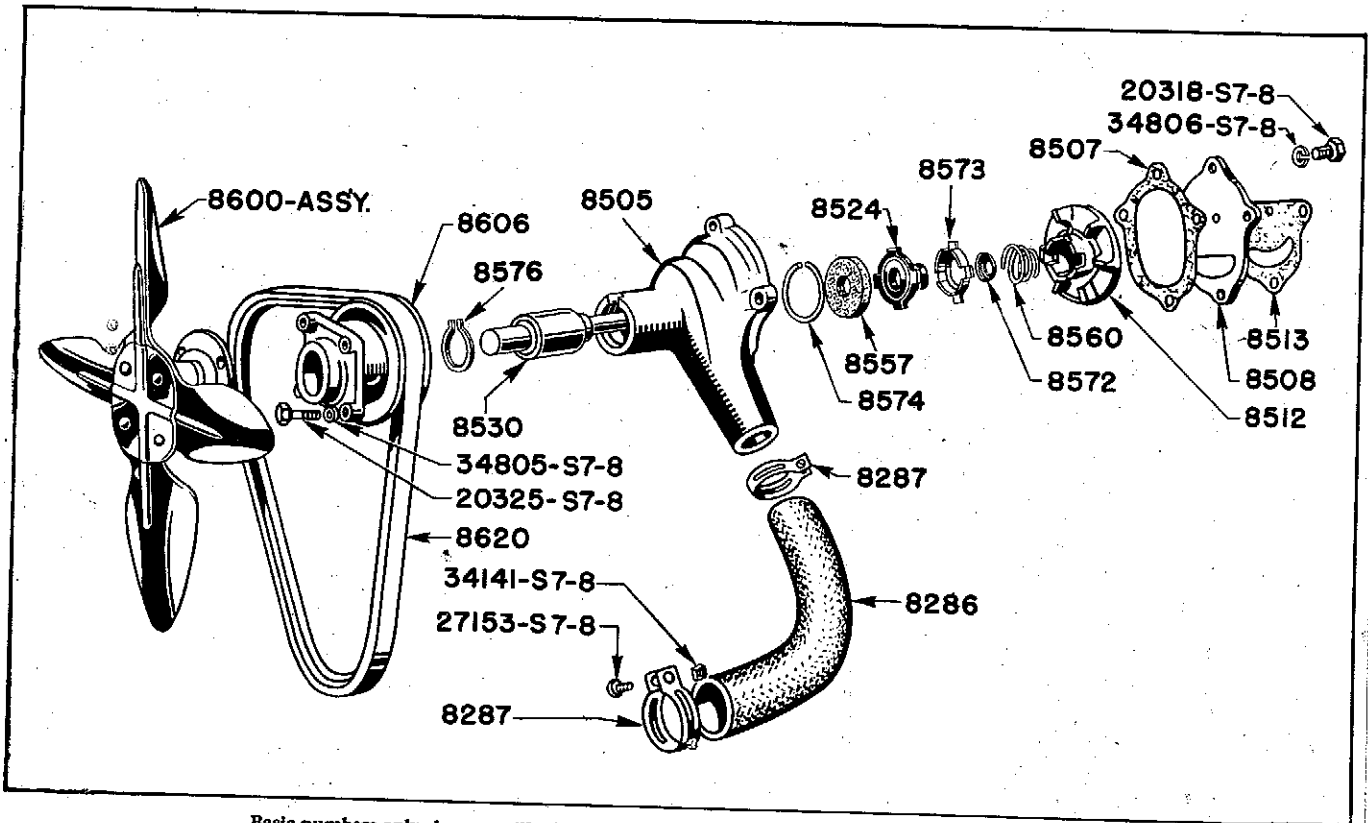


Basic numbers only shown on illustration. Order by Part Numbers shown in list of parts.

91C 8260	.10	Hose-radiator upper-2.2 long (air cleaner to carburetor hose)	1	1
GP 8286	.15	Radiator hose-From inlet pipe to cyl.head	1	1
60 8287	.05	Clamp assy-radiator hose	8	8
78 8287-A	.05	Hose clamp assy-air cleaner to carb.clamp	2	2
GP 8290	.95	Pipe-radiator inlet	1	1
GP 8291	.60	Pipe-radiator outlet	1	1
GP 8307	27.50	Guard-brush assy	1	1
		20347-S2 5/16-24 x 3/4 Hex.hd.bolt	6	6
		34806-S2 5/16 Lock washer	6	6
		33798-S2 5/16 - 24 Hex.nut	6	6
		Reqd. for fender apron to brush guard		
GP 8323	.65	Deflector-brush guard	1	1
GP 8346	.50	Pad-brush guard hood	1	1
		351629-S21A-B #6 x 1/2 Binding hd.drive screw-special	13	13
		Reqd.for hood pad to brush guard		



### CHASSIS PARTS AND PRICE LIST



Basic numbers only shown on illustration. Order by Part Numbers shown in list of parts.

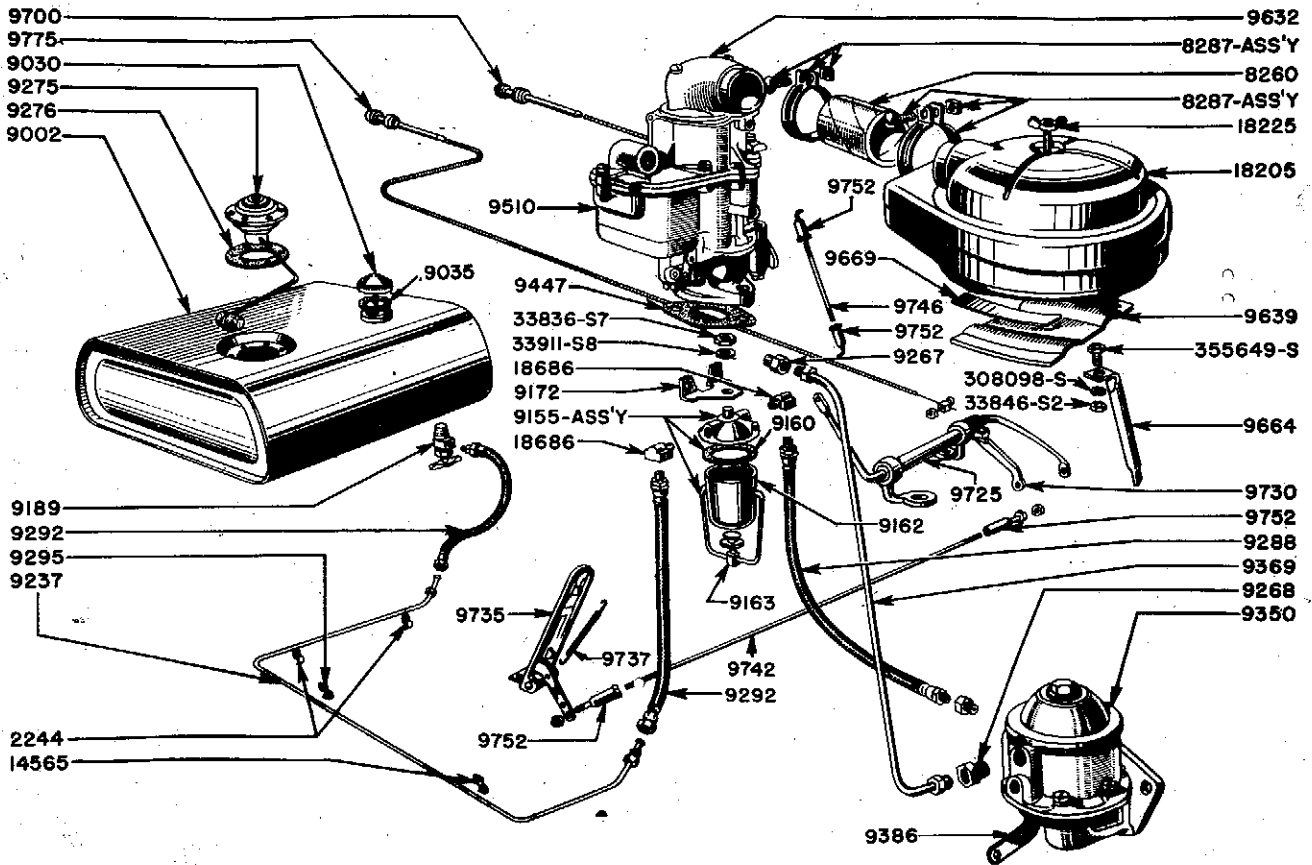
## Water Pump and Fan

9N 8501	7.75	Pump assembly-water	1	1	
9N 8505	2.50	Housing-water pump	1	1	
		20318-S 5/16-18 x 9/16 Hex Hd screw	1	1	
		34806-S 5/16 Lockwasher	4	4	
		33798-S 5/16-24 Thick Hex nut	3	3	
		88371-S 5/16-24 x 5/16 - 18 x 1-1/4 Stud	3	3	
		Reqd. for water pump housing to cyl. block			
9N 8507	.03	Gasket-water pump	1	1	
9N 8508	.15	Cover-water pump	1	1	
78 8512	.40	Impeller-water pump	1	1	
9N 8513	.02	Gasket-water pump-rear	1	1	
68 8524	.10	Seal-water pump	1	1	
79 8530	2.50	Bearing assy-water pump	1	1	
68 8557-A	.20	Washer-water pump	1	1	(Federal #F5782)
68 8560	.04	Spring-water pump	1	1	
68 8572	.02	Ring-water pump clamp	1	1	
68 8573	.04	Guide-water pump spring	1	1	
68 8574	.01	Ring-water pump seal snap	1	1	
QNY 8575	1.25	Thermostat assy-Radiator	1	1	
9N 8576	.05	Snap ring-water pump housing	1	1	
QNY 8600	1.50	Fan assy	1	1	
		20325-S2 1/4-28 x 5/8 Hex Hd screw	1	1	
		34805-S 1/4 Lockwasher	4	4	
		Reqd. for fan assy to water pump pulley			
9N 8606	2.25	Pulley-fan	1	1	
9N 8620-B	.90	Belt-fan	1	1	



### CHASSIS PARTS AND PRICE LIST

PART  
NUMB



Basic numbers only shown on illustration. Order by Part Numbers shown in list of parts.

## Fuel Tank

910-8260	GP 9002	16.00	Tank-fuel assy	1	1
	GPS 9002	16.00	Tank-fuel-assy-for Export only	1	
	GP 9030-B	1.70	Cap-gas	1	1
GP 8286	GP 9035	.10	Gasket-gas cap	1	1
6Q 8287	GP 9054	1.60	Strap-fuel tank hold down	1	1
78 8287	GP 9055	1.60	Strap-fuel tank hold down	1	1
GP 8290			24682-82 5/16-18 x 7/8 Flat hd. screw	8	8
GP 8291			34956-S2 5/16 Countersunk lock washer	8	8
			Reqd. for straps to seat frame		
GP 8307	GP 9078	.02	Anti-squeak-fuel tank to body	4	4
	GP 9079	.25	Anti-squeak-fuel tank strap	2	2
	GP 9155	3.10	Strainer-gasoline-assy	1	1
	GP 9160	.03	Gasket-gasoline strainer bowl	1	1
	GP 9162	.60	Bowl-gasoline strainer	1	1
			33836-S7 5/8-18 Nut	1	1
			34911-S7 Lockwasher-internal tooth	1	1
			Reqd. for gasoline strainer to bracket		
	GP 9163	.15	Cup and nut-gasoline strainer-assy-includes ball	1	1
	GP 9172	.20	Bracket-gasoline strainer	1	1
			33836-S7 5/8-18 Hex nut-special	1	1
			20324-S2 1/4-20 x 5/8 Hex head bolt	2	2
			34805-S2 1/4 Lockwasher	2	2
			33795-S2 1/4-20 Hex nut	2	2
			Reqd. for gasoline strainer bracket to dash		



CHASSIS PARTS AND PRICE LIST

PART NUMBER	CLASS	LIST PRICE	PART NAME	STEERING		MODEL
				2-W	4-W	
GP 9189		.40	Valve assy-gasoline	1	1	
GP 9237		.55	Tube assy-gasoline tank to strainer	1	1	
GP 9267		.10	Connector-fuel line-for carb.inlet & for distributor vacuum inlet	2	2	
GP 9268		.10	Connector-fuel pump to fuel line 1 used at inlet on fuel pump 1 used at outlet on fuel pump	2	2	
GP 9275		1.70	Unit-tank			
68 9276		.03	Gasket-fuel tank gauge	1	1	
48 9278		1.75	Gauge assy-oil pressure-engine unit	1	1	
			26457-S8 #8-32 x 1/4 Round hd.screw-for oil pressure gauge contact screw	1	1	
GP 9288		.65	Connection assy-strainer to pump flexible	1	1	
GP 9292		.55	Connection-fuel pipe flexible-assy 1 Used between gas tank and fuel line 1 Used from fuel line to strainer	2	2	
B 9295		.01	Clip-short-fuel & air line-used to hold gasoline tube clamped under lower muffler bolt	1	1	

Fuel Pump

		.07	B 9182 Spring-fuel pump drain plug	1	1	
		.07	B 9185-B Plug-fuel pump drain	1	1	
GP 9350		5.00	Pump assy-fuel 20346-S 5/16-18 x 3/4 Hex Hd screw 34806-S 5/16 Lockwasher Reqd.for fuel pump assy to cyl.block	1	1	
11A 9351		.95	Body-fuel pump upper	1	1	
11A 9352		.12	Valve-fuel pump	1	1	
11A 9355		.10	Cover-fuel pump 24235-S Screw-fuel pump cover	1	1	
40 9357		.01	Washer-fuel pump cover screw	1	1	
40 9358-A		.01	Valve-fuel pump-Std.	1	1	
11A 9361		.02	Plate-fuel pump valve	1	1	
68 9364		.02	Gasket-fuel pump cover	1	1	
11A 9365		.20	Screen-fuel pump	1	1	
GP 9369		.25	Fuel line-pump to carburetor	1	1	
GP 9375		1.20	Body-fuel pump-lower	1	1	
11TS9383		.40	Eccentric-fuel pump primer 31628-S7 Screw-fuel pump upper to lower half 34805-S7 Lockwasher-fuel pump upper to lower half	1	1	
40 9378		.10	Pin-fuel pump rocker	1	1	
GP 9386		.06	Lever-fuel pump priming	1	1	
40 9380		.03	Spring-fuel pump rocker arm return	1	1	
11NC 9381		.08	Link-fuel pump			
40 9389		.10	Bushing-fuel pump rocker arm	1	1	
40 9396		.05	Spring-fuel pump diaphragm	1	1	
68 9398		.40	Diaphragm-fuel pump & pull rod	1	1	
11NC 9399		.50	Arm-fuel pump rocker	1	1	
40 9417		.01	Gasket-fuel pump to adapter	1	1	
GP 18373		.55	Kit-fuel pump	1	1	

Manifolds

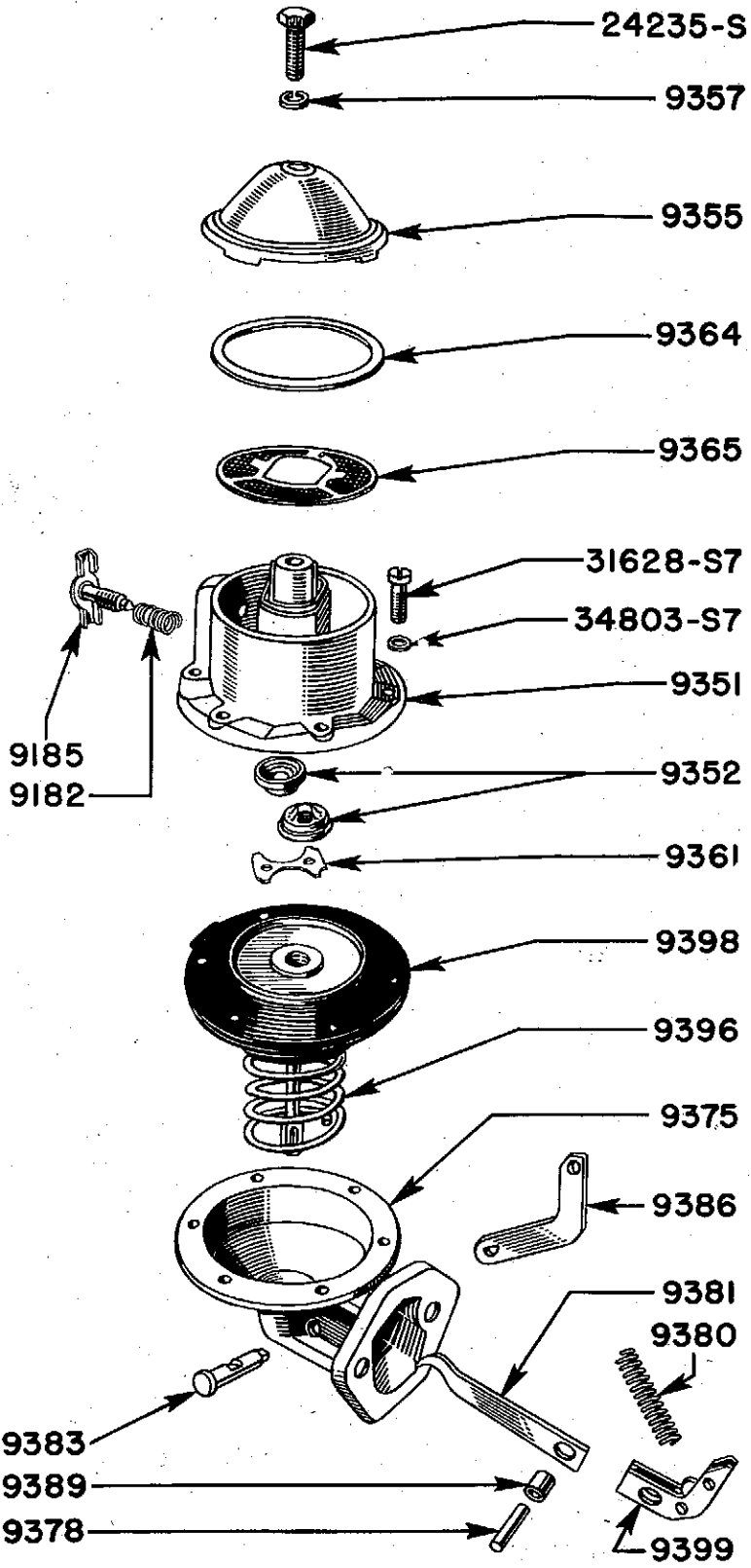
GP 9425		10.00	Manifold-intake & exhaust 88403-S 7/16-14 x 7/16 - 20 x 1-5/8 Stud 351436-S7-88 7/16 Spec.lockwasher 33816-S 7/16 Hex nut Reqd.for intake & exhaust manifold to cyl.block	1	1	
GP 9447		.02	Gasket-carburetor flange	1	1	
9M 9448		.05	Gasket-intake & exhaust manifold	2	2	





CHASSIS PARTS AND PRICE LIST

PART NUMBER	CLAS	LIST PRICE	PART NAME	NO. REQ'D	MODEL
-------------	------	------------	-----------	-----------	-------



Basic numbers only shown on illustration. Order by Part Numbers shown in list of parts.

970  
97  
90  
92  
92  
90

05

8260  
8286  
8287  
8287  
8290  
8291  
8307  
8323  
8346



CHASSIS PARTS AND PRICE LIST

PART NUMBER	CLASS	LIST PRICE	PART NAME	STEERING		MODEL
				2-W	4-W	
<b>Carburetor</b>						
GP 9508		.02	Gasket-carburetor air intake elbow	1	1	
GP 9510		17.75	Carburetor assy	1	1	
			88717-S 5/16-18 x 5/16-24 x 3/16 Stud	1	1	
			33798-S7 5/16-24 Hex nut	2	2	
			34806-S7 5/16 Lockwasher	2	2	
			Reqd. for carburetor to intake manifold			
GPS 9510			Carburetor assy-for Export only	1		
GP 9512		1.70	Body-carburetor main and plugs assy	1	1	
			31628-S7 #10-32 x 5/8 Fillister head screw	4	4	
			355103-S7 #10-32 x 3/4 Hex head bolt-slotted-special	1	1	
			34843-S2 #10 Lockwasher	5	5	
			Reqd. for carburetor main body			
GP 9515		1.40	Body-carburetor throttle and shaft assy	1	1	
			31702-S 1/4-28 x 1-3/8 Fillister head screw	2	2	
			34805-S2 1/4 Lockwasher	2	2	
			Reqd. for carburetor throttle body			
GP 9516		.02	Gasket-carburetor throttle	1	1	
IG 9519		.02	Gasket-carburetor main body	1	1	
GP 9524		.55	Horn-carburetor air and plugs	1	1	SGV TD
IG 9526		.05	Link-carburetor pump	1	1	
GP 9532		.05	Rod-carburetor pump operating	1	1	
GP 9533		.20	Jet-carburetor main	1	1	
78 9537-A		.01	Plunger-carburetor choke lever	1	1	
78 9539		.02	Spring-carburetor choke shaft	1	1	
GPS 9539		.02	Spring-carb.choke control retracting-for Export only	1		
78 9541		.03	Needle-carburetor idle adjusting	1	1	
IG 9542		.15	Tube-carburetor idle-assy	1	1	
GP 9546		.20	Shaft-carburetor and lever assy	1	1	
GP 9549		.25	Plate-carburetor choke-assy	1	1	
78 9550		.25	Float-carburetor and lever assy	1	1	
GP 9552		.20	Lever-carburetor choke	1	1	
			31588-S7 #10-32 x 5/16 Fillister head screw	1	1	
			34703-S7 #10 Flat washer	1	1	
			Reqd. for choke lever pivot			
			31032-S2 #8-32 x 1/4 Fillister head machine screw	1	1	
			Reqd. for carburetor choke lever swivel			
78 9558		.01	Shaft-carburetor float lever	1	1	
GP 9560		.01	Spring-carburetor choke plate valve	1	1	
78 9566		.10	Needle-carb. fuel inlet	1	1	
GP 9567		.15	Seat-carburetor fuel inlet needle	1	1	
78 9569		.01	Gasket-fuel valve needle seat	1	1	
78 9575		.01	Retainer-carburetor check valve	1	1	
78 9576		.01	Valve-carburetor pump check	1	1	
40 9578		.01	Spring-carburetor idle adjustment screw	1	1	
IG 9578		.02	Spring-throttle stop screw	1	1	
GP 9581		.35	Lever-throttle and shaft assy	1	1	
IG 9583		.03	Lever-carburetor pump operating	1	1	
			355829-S7 #8-36 Check nut-hex-special	1	1	
			34842-S #8 Lockwasher	1	1	
			Reqd. for carburetor pump operating lever			
GP 9585		.02	Plate-throttle	1	1	
			350164-S7 Carburetor throttle adj. screw-special	1	1	
40 9586		.01	Screw-carburetor throttle and choke plate	4	4	
78 9587		.01	Spring-carburetor choke lever plunger	1	1	
GP 9595		.06	Bracket-carburetor choke wire	1	1	
67 9594		.25	Jet-carburetor power-assy	1	1	
78 9594		.02	Valve-carburetor pump discharge	1	1	
IG 9599		.01	Retainer-carburetor pump link	1	1	



CHASSIS PARTS AND PRICE LIST

PART NUMB

97  
97  
96  
96  
96  
96

000

8260

8286

8287

8287

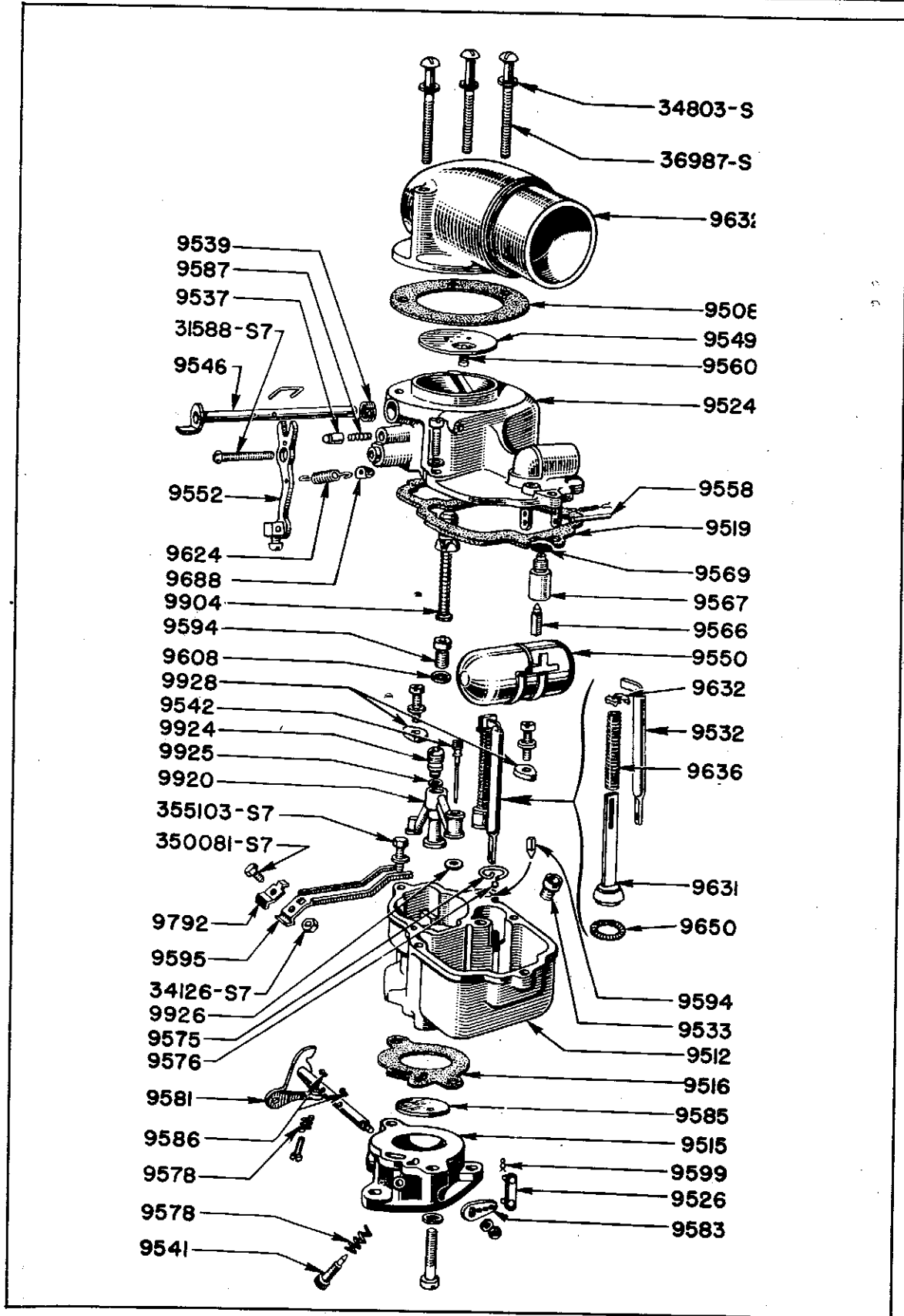
8290

8291

8307

8323

8346



Basic numbers only shown on illustration. Order by Part Numbers shown in list of parts.

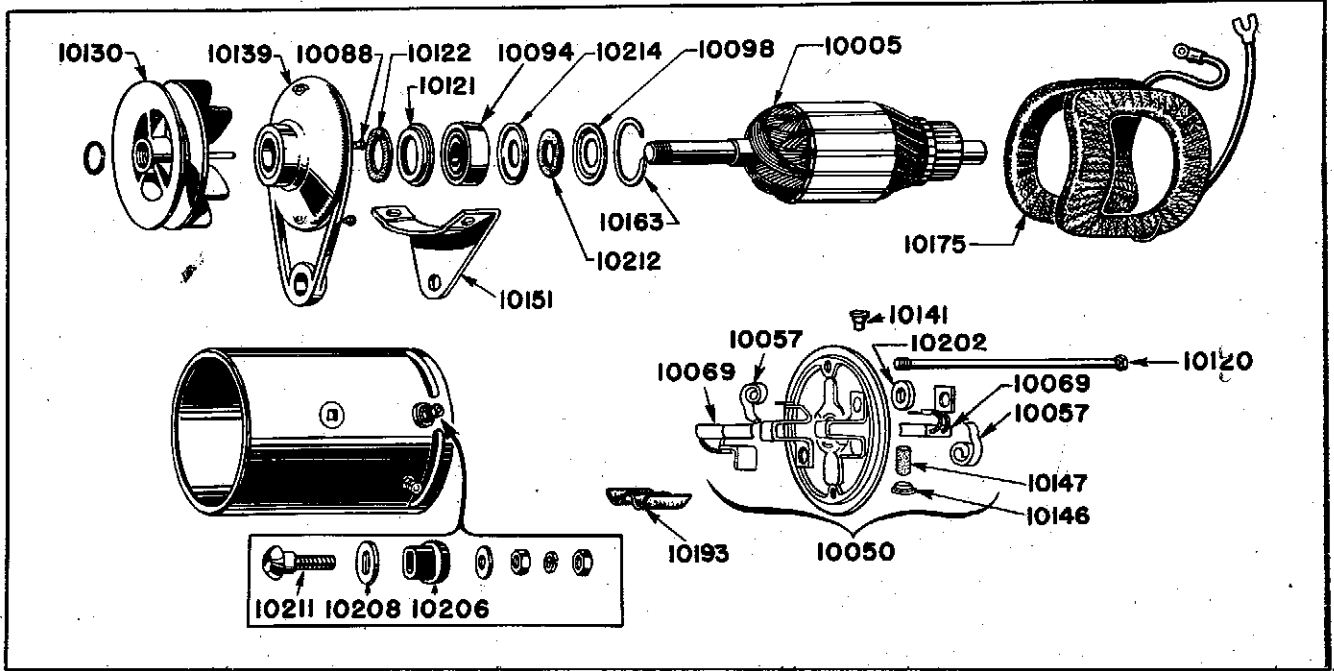


CHASSIS PARTS AND PRICE LIST

PART NUMBER	LIST PRICE	PART NAME	STEERING		MODEL
			2-W	4-W	
40 9608	.01	Gasket-carburetor power jet	1	1	
GPB 9616	1.50	Brkt.-carb.choke cont.retracting spring(For Export only)	1		
GP 9624	.05	Spring-carburetor choke lever return	1	1	
GP 9626	.70	Bracket assy-air cleaner mounting	1	1	
78 9631	.20	Piston-carburetor pump assy	1	1	
GP 9632	1.65	Elbow-air cleaner to carburetor	1	1	
		36987-S7 #10-32 x 1-7/8 Binding head screw	3	3	
		34803-S7 #10 Lockwasher	3	3	
		Reqd.for air cleaner carburetor elbow to carburetor			
		355649-S Bolt-air cleaner bracket to support-special	1	1	
		34809-S2 1/2" Lockwasher	1	1	
		33846-S2 1/2-20 Hex nut	1	1	
		Reqd.for air cleaner bracket to support bolt and brace to cleaner bracket			
78 9632	.01	Washer-carburetor pump spring	1	1	
78 9636	.03	Spring-carburetor pump	1	1	
GP 9639	.50	Bracket-air cleaner mounting	1	1	
78 9650	.03	Spring-carburetor pump piston expander	1	1	
GP 9664	.35	Support-air cleaner bracket	1	1	
GP 9669	.02	Pad-air cleaner to bracket	2	2	
GP 9688	.02	Clip-carburetor choke lever spring	1	1	
GP 9700	.50	Control assy-carburetor choke	1	1	
GP 9725	.70	Bracket & shaft assy-accelerator	1	1	
GP 9730	1.15	Lever assy-accelerator shaft throttle	1	1	
GP 9735	.45	Pedal assy-accelerator lever	1	1	
		20327-S2 5/16-24 x 5/8 Hex head bolt	1	1	
		33798-S2 5/16 - 24 Nut	1	1	
		34806-S2 5/16 Lockwasher	1	1	
		Reqd.for accelerator pedal to floor pan			
81W 9737	.06	Spring-accelerator lever	1	1	
GP 9742	.60	Rod-accelerator pedal to shaft	1	1	
		34079-S7-SB #10-32 Hex nut	2	2	
		Reqd.for accelerator pedal to shaft rod			
GP 9746	.05	Rod-accelerator shaft to carburetor	1	1	
		34079-S7-8 #10-32 Hex nut	2	2	
		Reqd.for accelerator shaft to carb.rod			
GP 9752	.20	Joint-accelerator rod ball	4	4	
		2 reqd.with GP-9727			
		2 reqd.with GP-9747			
		34079-S7-SB #10-32 Hex nut	4	4	
		34803-S #10 Lockwasher	4	4	
		Reqd.for accelerator rod ball joint			
GP 9775	.50	Control assy-throttle	1	1	
91A 9792-B	.02	Clamp-choke and throttle rod bracket	1	1	
		350081-S7 #8-32 x 1/2 Hex head bolt-slotted-special	1	1	
		34126-S7 #8-32 Square nut	1	1	
		Reqd.for carburetor choke wire clamp			
1G 9904	.15	Piston & stem assy-carburetor economizer	1	1	
1G 9920	.55	Bar-carburetor nozzle-assy	1	1	
		31077-S7 #8-32 x 5/8 Fillister head screw	2	2	
		34902-S2 #8 Internal tooth lockwasher	2	2	
		Reqd.for nozzle bar			
1G 9924	.05	Bleed-carburetor nozzle bar air	1	1	
78 9925	.01	Gasket-carburetor nozzle bar air bleed plug	1	1	
78 9926	.01	Gasket-carburetor nozzle bar	2	2	
1G 9928	.01	Clamp-carburetor nozzle bar	2	2	
		34902-S2 #8 Internal tooth lockwasher	2	2	
		Reqd.for carburetor nozzle bar clamp screw			



CHASSIS PARTS AND PRICE LIST



Basic numbers only shown on illustration. Order by Part Numbers shown in list of parts.

Generator

1NC 10000	14.25	Generator assy	1	1
01A10005-A	4.55	Armature assy-generator	1	1
68 10044	.01	Pole piece screw	6	6
		2 reqd.as part of 1NC-10000		
		4 reqd.as part of 18-11075		
01A 10050	1.55	Plate assy-generator brush & end	1	1
91A 10057	.03	Spring-generator brush	2	2
01A 10069	.20	Brush assy-generator	2	2
		31598-S7-S8 1/4-28 x 3/8 Phillips head screw	1	1
		Reqd.for generator brush holder		
18 10088	.01	Dowel-generator & starter frame	4	4
B 10094	1.15	Bearing assy-generator	1	1 (Federal #1203)
01A 10098	.01	Retainer generator grease-rear outer	1	1
78 10120	.04	Bolt-generator thru	2	2
		34805-S2 1/4 Lockwasher	2	2
		Reqd.for generator thru bolt		
01A 10121	.01	Retainer-generator bearing grease	1	1
01A 10122	.02	Seal-generator grease-front	1	1
78 8287	1.50	Pulley-generator (3.5-S.S)	1	1
GP 8290	1.65	Plate-generator end	1	1
GP 8291		20559-S2 1/2-20 x 3-1/4 Hex Hd bolt	1	1
		33846-S2 1/2-20 Hex nut	1	1
		34809-S2 1/2" Lockwasher	1	1
		Reqd.for generator to cyl.front & cyl.block		
B 10141	.04	Cup-generator oil	1	1
18 10142	.05	Band-starter cover	1	1
		27161-S #10-32 x 1-1/4 Rd.Hd.screw	1	1
		34141-S #10-32 Sq.nut	1	1
		Reqd.for starter cover band		
18 10146	.01	Plug-gen.brush end plate oil	1	1
91A 10147	.02	Wick-generator brush end plate	1	1
1NC 10151	.12	Bracket-generator	1	1
01A 10163	.01	Stop ring-generator bearing	1	1



-43 -  
Ford Motor Company

### CHASSIS PARTS AND PRICE LIST

PART NUMBER	CLASS	LIST PRICE	PART NAME	STEERING		MODEL
				2-W	4-W	
81A 10175		2.30	Coil assy-generator field	1	1	
01A 10193		.01	Insulator-generator field coil connecting wire	1	1	
01A 10202		.06	Insulator-generator terminal	1	1	
81A 10206		.06	Insulator-gen.frame to coil-outer	1	1	
81A 10208		.01	Insulator gen.end plate-inner	1	1	
01A 10211		.01	Terminal-gen.screw armature terminal	1	1	
			34081-87-88 1/4-28 Hex nut	2	2	
			351283-87-88 .255 I.D. x .5 O.D. x .37 Flat washer	1	1	
			34825-87-88 1/4 Lockwasher	2	2	
			Reqd.for generator screw armature terminal			
01A 10212		.01	Seal-generator grease-rear	1	1	
01A 10214		.02	Retainer-generator grease-rear-inner	1	1	

### Regulator

01A 10505-C4		5.75	Regulator assy-gen.-Not used in tropical countries	1	1	
01A 10505-D4		5.75	Regulator assy-for countries req.low gravity electrolyte	1	1	

### \* Battery

9N 10655-A			Battery assy-13 plate	1	1	
9N 10655-B			Battery assy-13 plate (For use in tropical countries & Export only)	1	1	
18 10660		2.45	Case-battery	1	1	
81A 10662		.10	Cover-valve for cell.	3	3	
81A 10664		.07	Ring-battery cover	3	3	
81A 10665		.03	Washer-battery cover	3	3	
81A 10720		.07	Plug-battery filler	3	3	
GP 10732		4.00	Support & bracket assy-battery	1	1	
			* See page 53 for photographs of Battery Support Parts			

### Instrument Cluster

			38227-82 No.12-24 x 5/8 Binding Head screw	3	3	
			34804-82 No. 12 Lockwasher	3	3	
			34054-82 No.12-24 Hex nut	3	3	
			For instrument cluster to panel			
11C 10850-A		.95	Indicator-generator charge	1	1	
		.65	11C 9273-A Gauge-oil pressure	1	1	
		.01	01A 9272 Bar-gauge connecting	1	1	
		2.60	GP 9271 Case-instrument cluster & bezel	1	1	
01A 10876-A		.85	Bezel	1	1	
01A 10880-A		.25	Glass-instrument cluster cover	1	1	
11C 10883-A		.85	Indicator-temperature	1	1	
		.85	11C 9280-A Gauge fuel	1	1	
99A 10884		1.50	Bulb-electric heat indicator	1	1	

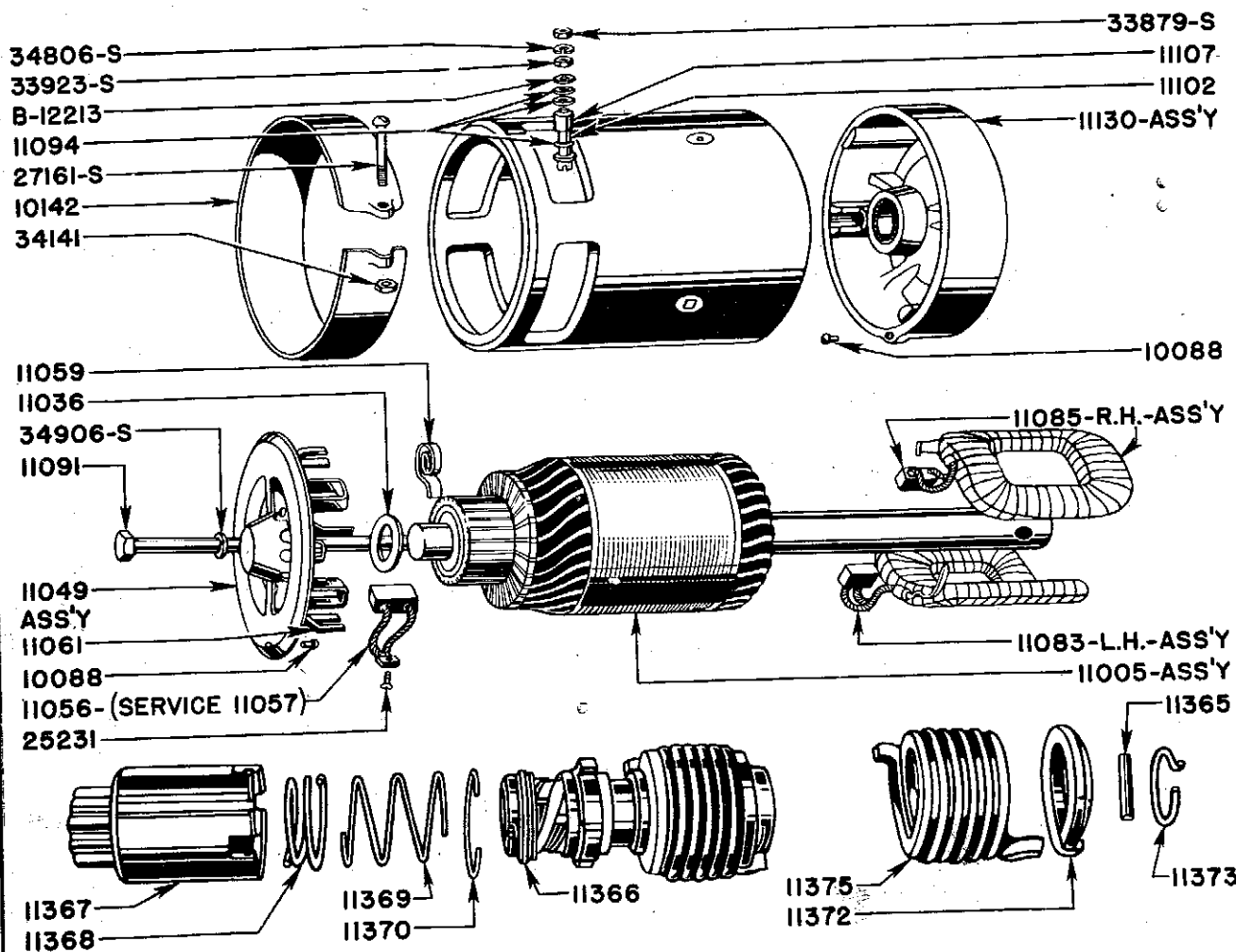
### Starter-Motor

9N 11002		10.00	Starter assy	1	1	
			25231-87-88 No.10-32 x 1/2 Flat Head Screw (For starter frame assy)	1	1	
52 11005		3.65	Armature assy-starter	1	1	
18 11036		.01	Washer-starter armature thrust	2	2	
18 11049		.75	Plate assy-starter brush end	1	1	
18 11057		.60	Brushes-1 set in carton	1	1	
B 11059		.03	Spring-starter brush	4	4	
18 11061		.01	Holder-starter brush	4	4	
B 11062		.01	Insulator-starter brush holder	2	2	
B 11073		.01	Washer-large-starter brush hold-rivet insulator	5	5	
			1 reqd.as part of 01A-10050			
			4 reqd.as part of 18-11049			
18 11083		.65	Coil-L-starter field	1	1	
18 11085		.65	Coil-R-starter field	1	1	



CHASSIS PARTS AND PRICE LIST

PART NUMBER	LIST PRICE	PART NAME	STEERING		MODEL
			2-W	4-W	



Basic numbers only shown on illustration. Order by Part Numbers shown in list of parts.

18	11091	.03	Bolt-straight thru	2	2
			34906-8 5/16 Internal tooth washer (For Starter straight thru bolt)	2	2
18	11094	.01	Washer-starter field terminal	3	3
18	11102	.05	Terminal-starter field	1	1
			33923-87-88 5/16 - 24 hex check nut	1	1
			34806-87-88 5/16 Lock washer	1	1
			33879-87-88 5/16-24 Hex nut (For starter field terminal)	1	1
18	11107	.03	Bushing-starter terminal	1	1
52	11130	.85	Plate assy-starter rear end	1	1
			18 10088 Dowel-generator & starter frame	4	4
			18 10142 Band-starter cover	1	1

Starter Drive

52	11350-C	3.50	Drive assy-starter	1	1
52	11365-B	.02	Pin-starter drive pinion	1	1
52	11366-B	2.55	Shaft assy-starter drive screw	1	1



CHASSIS PARTS AND PRICE LIST

PART NUMBER	LIST PRICE	PART NAME	STEERING		MODEL
			2-W	4-W	
52 11367	1.90	Pinion & barrel assy-starter drive	1	1	
52 11368	.20	Spring-starter drive meshing	1	1	
52 11369	.12	Spring-starter drive anti-drift	1	1	
52 11370	.03	Ring-starter drive pinion & barrel-retaining	1	1	
52 11372	.25	Plate-starter spring anchor	1	1	
52 11373	.05	Ring-starter drive spring lock	1	1	
52 11375	.60	Spring-starter drive	1	1	

Starter Switch

GP 11450	.85	Relay assy-starter switch	1	1	
		34079-S7 No. 10-32 Hex nut	2	2	
		34704-S7 No. 12 Flat washer	2	2	
		Reqd. for O1A 11450-A Terminals			
		34803-S7 No. 10 Lock washer			
		39038-S2 #12-24 x 7/16 Binding head screw	2	2	
		34804-S2 #12 Lockwasher	2	2	
		34054-S2 #12-24 Hex nut	2	2	
		Reqd. for starter switch relay assy to apron			
11AS11500	.25	Switch assy-starter push button	1	1	
		351779-S7 #14 x 5/8 Binding head sheet metal screw	2	2	
		Reqd. for starter switch relay assy to dash			

Lighting Switch

GP 11653	2.75	Wire assy-foot switch & headlamp	1	1	
GP 11654	2.75	Switch assy-Blackout	1	1	
		355097-S Screw-No. 8-32 x .18 headless set-part of GP-11654-Knob to control shaft	1	1	

Ignition Coil, Distributor and Condenser

1G 12024	4.50	Coil assy-ignition	1	1	
		26587-S7 1/4-20 x 1-5/8 Round head bolt	2	2	
		34705-S7 1/4 Flat washer	2	2	
		34805-S7 1/4 Lockwasher	2	2	
		33795-S7 1/4-20 Hex nut	2	2	
		Reqd. for ignition coil assy to dash			
GP 12038	20.00	Adapter assy-distributor	1	1	
GP 12040	5.75	Housing-dist.adapter	1	1	
		24943-S2 5/16-18 x 2-1/8 Hex head bolt	1	1	
		34806-S 5/16 Lockwasher	3	3	
		Reqd. for dist.adapter housing to cyl. front cover			
GP 12043	2.10	Shaft-dist.adapter	1	1	
GP 12044	2.50	Gear-dist.drive	1	1	
GP 12051	2.70	Cover-dist.adapter	2	2	
GP 12053	.02	Gasket-dist.adapter cover	2	2	
GP 12074	2.45	Gear & flange assy-dist.-driven	1	1	
GP 12075	.20	Bushing-dist.adapter shaft	1	1	
GP 12076	.20	Bushing-dist.shaft	1	1	
GP 12078	.01	Spacer-distributor adapter to cyl. front cover	1	1	
GP 12100	18.75	Distributor assy	1	1	
GP 12105	1.25	Diaphragm-vacuum control	1	1	
		34079-S7 #10-32 Hex nut	2	2	
		34843-S7 #10 Lockwasher	2	2	
		Reqd. for vacuum control diaphragm to bracket			





Ford Motor Company

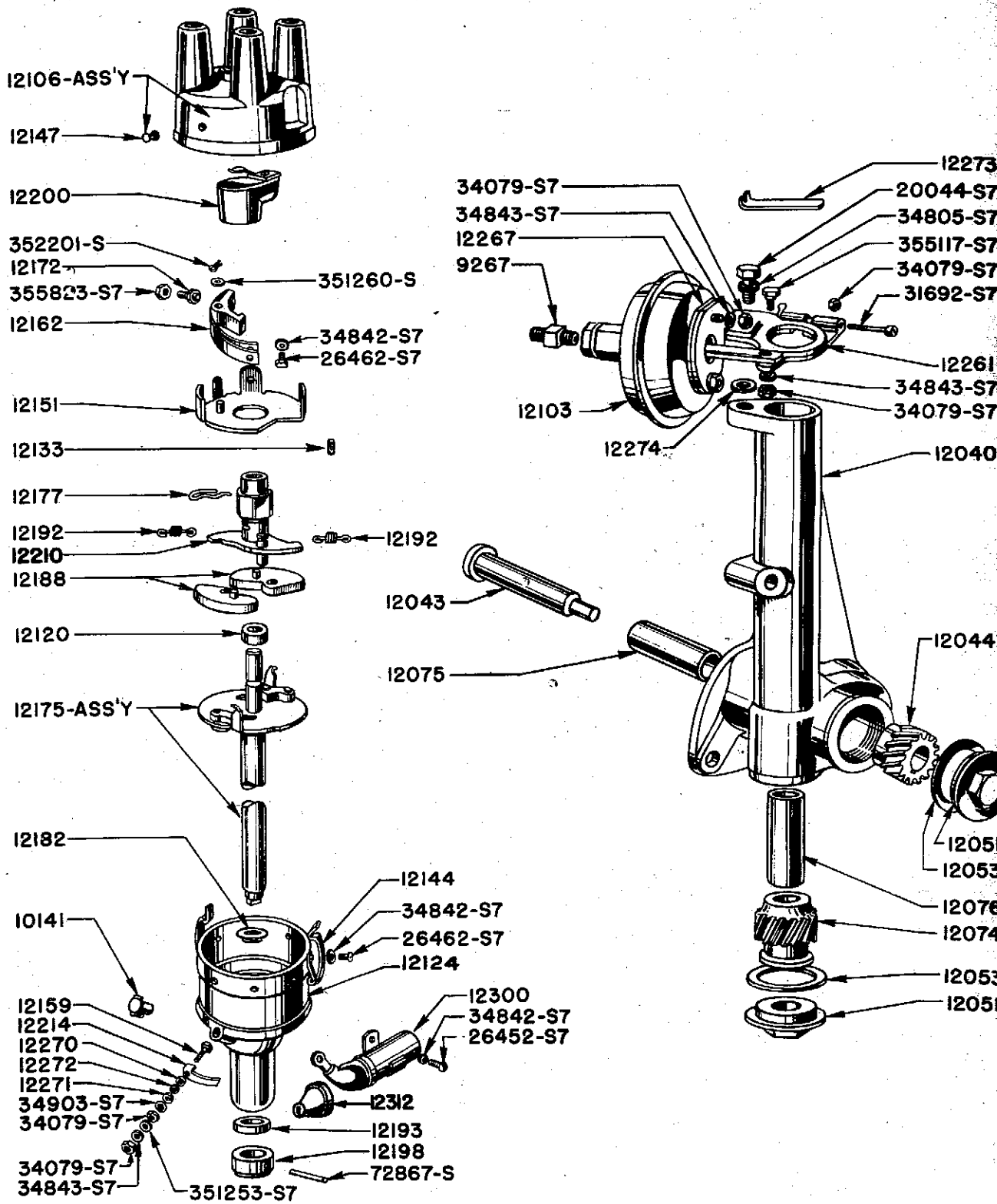


CHASSIS PARTS AND PRICE LIST

PART NUMBER	CLASS	LIST PRICE	PART NAME	STEERING		MODEL
				2-W	4-W	
GP 12104		2.00	Vacuum control assy	1	1	
GP 12106		1.70	Cap-distributor	1	1	
GP 12112		.80	Conduit-spark plug wire	1	1	
GP 12120		.03	Collar-cam thrust	1	1	
GP 12124		4.10	Housing-distributor spark advance	1	1	
			B 10141 Oiler	1	1	
GP 12133		.01	Felt-cam	1	1	
9N 12143		.02	Gasket-distributor base	1	1	
			(Use as dist., adapter hsg. to frt. cover gasket)			
GP 12144		.06	Spring & bracket-distributor cap	1	1	
			26462-S7 #8-32 x 5/16 Round head screw	2	2	
			34842-S7 #8 Lockwasher			
			Reqd. for distributor cap spring			
GP 12147		.04	Plug-distributor cap vent	1	1	
48 12148		.02	Screw-distributor to front cover	2	2	
GP 12151		.55	Plate-breaker assy	1	1	
			26462-S7 #8-32 x 5/16 Round head screw	1	1	
			34842-S7 #8 Lockwasher	1	1	
			Reqd. for breaker plate retainer			
GP 12159		.20	Terminal-primary	1	1	
			34903-S7 #10 Lockwasher-internal tooth	1	1	
			34079-S7 #10-32 Hex nut	2	2	
			34843-S7 #10 Lockwasher	1	1	
			351253-S7 3/16 Plain washer	1	1	
			Reqd. for primary terminal			
GP 12261		.20	Clamp-dist. spark advance housing	1	1	
GP 12162		.50	Arm and spring-breaker-assy	1	1	
			355823-S7 Nut-contact lock	1	1	
			351260-S Washer-breaker arm	1	1	
			352201-S Cotter-breaker arm	1	1	
GP 12172		.20	Screw-contact	1	1	
			72867-S Pin-shaft retainer	1	1	
GP 12175		1.90	Shaft-distributor assy	1	1	
GP 12177		.01	Retainer-cam	1	1	
GP 12182		.02	Washer-shaft thrust-upper	1	1	
GP 12188		.20	Weight assy	2	2	
GP 12192		.04	Spring-distributor weight	2	2	
GP 12193		.01	Washer-shaft thrust-lower	1	1	
GP 12198		.15	Retainer-shaft	1	1	
GP 12200		.40	Rotor	1	1	
GP 12210		.80	Cam & plate assy	1	1	
B 12213		.01	Washer-distributor	1	1	
GP 12214		.08	Insulator-breaker spring	1	1	
GP 12226		.25	Tube-dist. vacuum	1	1	
OLA 12250		1.15	Resistor and circuit breaker assy-ignition	1	1	
OW 12253		.05	Insulator-ignition resistor & cir. breaker	1	1	
			355117-S7 #10-32 x 15/32 Shoulder bolt-special	1	1	
			34843-S7 #10 Lockwasher	1	1	
			34079-S7 #10-32 Hex nut	1	1	
			Reqd. for distributor spark advance housing clamp			
			31692-S7 #10-32 x 1-1/4 Phillister Hd bolt	1	1	
			34079-S7 #10-32 Hex nut			
GP 12267		.25	Bracket-dist. vacuum control	1	1	
			20044-S7 1/4-20 x 3/4 Hex Hd bolt	1	1	
			34805-S7 1/4" Lockwasher	1	1	
			Reqd. for vacuum control bracket to adapter housing			



CHASSIS PARTS AND PRICE LIST



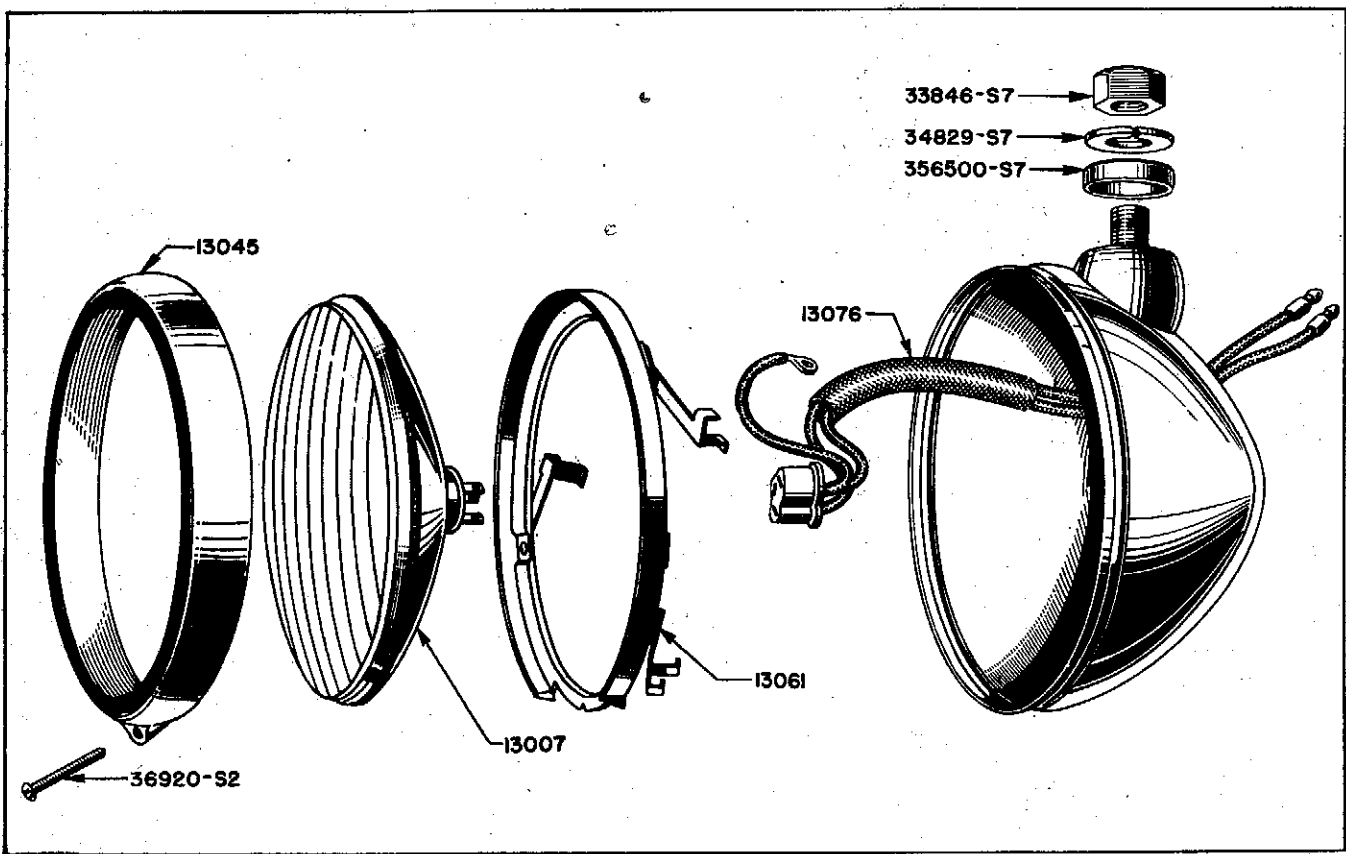
Basic numbers only shown on illustration. Order by Part Numbers shown in list of parts.



CHASSIS PARTS AND PRICE LIST

PART NUMBER	LIST PRICE	PART NAME	STEERING		MODEL
			2-W	4-W	
GP 12270	.07	Washer-dist.primary terminal insulating-inner	1	1	
GP 12271	.01	Washer-dist.primary terminal insulating-outer	1	1	
GP 12272	.01	Bushing-dist.primary terminal insulating	1	1	
GP 12273	.04	Stop-dist.vacuum control rod	1	1	
GP 12274	.03	Spacer-dist.vacuum control bracket	1	1	
GP 12279	.10	Wire-dist.ground-assy	1	1	
GP 12280	1.85	Conduit & wire assy-dist.to spark plug	1	1	
GP 12283	.20	Spark plug wire No. 2	1	1	
GP 12284	.20	Spark plug wire No. 3	1	1	
GP 12286	.10	Spark plug wire No. 1	1	1	
GP 12287	.20	Spark plug wire No. 4	1	1	
IG 12300-B	.35	Condenser	1	1	
		26452-S7 #8-32 x 3/16 Round Hd screw	1	1	
		34842-S7 #8 Lockwasher	1	1	
		Reqd.for condenser			
1g 12312	.06	Cap-condenser	1	1	
01T 12405	# .65	Spark plug assy	4	4	
40 12410	.01	Gasket-spark plug-18 MM-Use as oil relief valve gasket	1	1	
52 12410	.01	Gasket-spark plug-for 14 MM spark plug	4	4	
11A 12425	.02	Cap-spark plug	4	4	

Headlamp



Basic numbers only shown on illustration. Order by Part Numbers shown in list of parts.

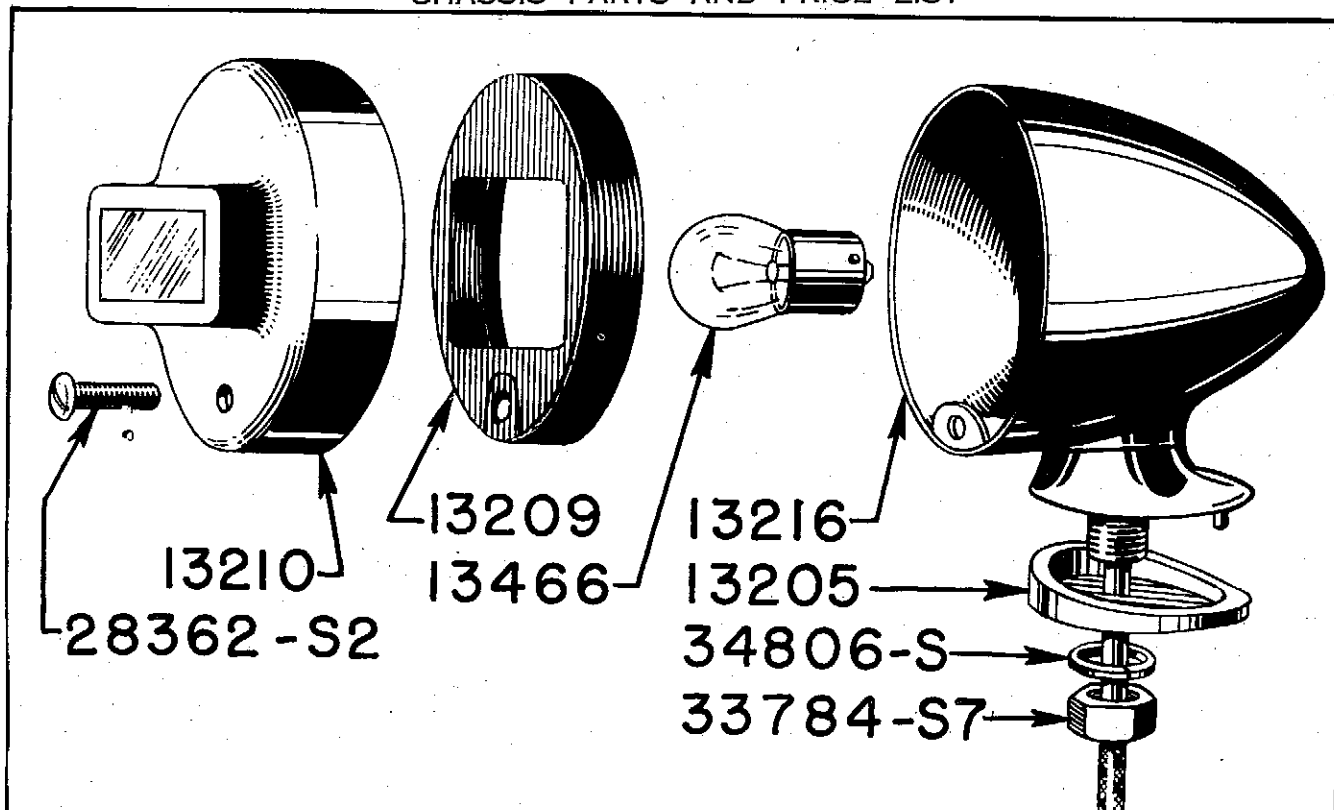
GP 13005	5.25	Lamp assy-head	2	2	
GP 13007	# 1.10	Bulb-headlamp	2	2	
GP 13020	.85	Bolt-headlamp bracket hold down assy-incl.wing nut	2	2	
		356483-S7 Washer-headlamp bolt cup-special	2	2	
		350360-S2 1/4-20 x 5/8 Special shoulder bolt	2	2	



Ford Motor Company



CHASSIS PARTS AND PRICE LIST

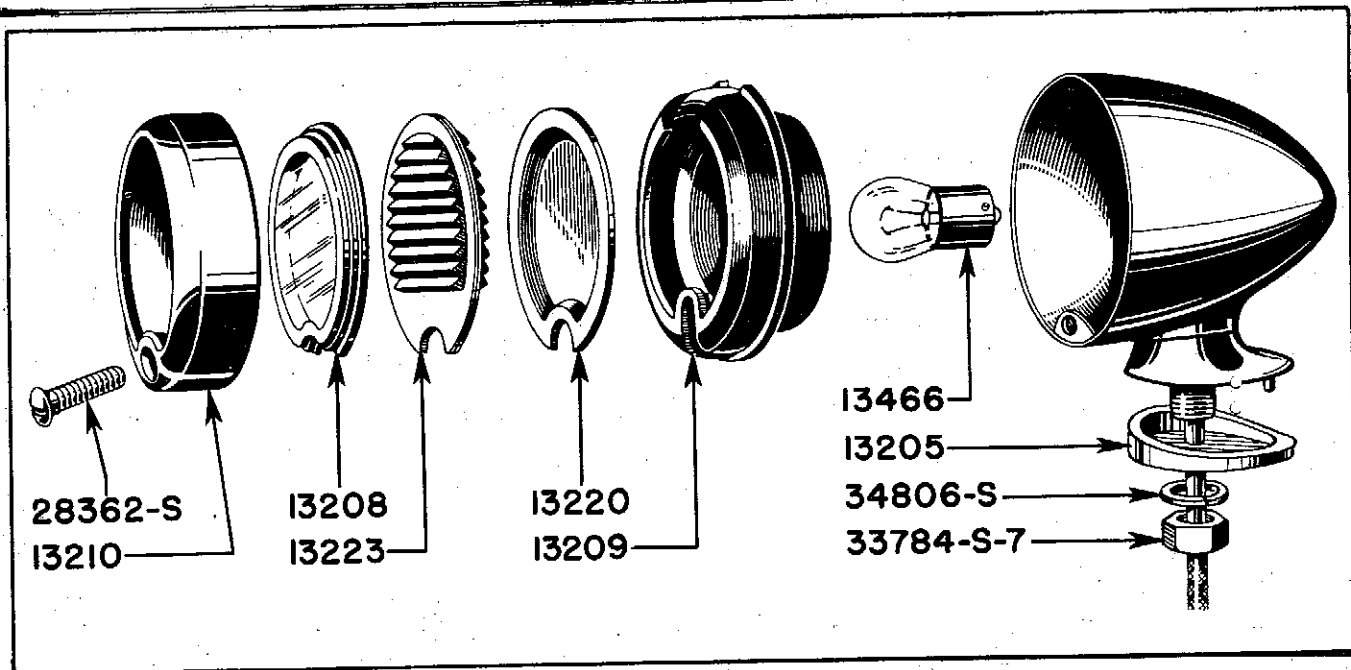


Basic numbers only shown on illustration. Order by Part Numbers shown in list of parts.

		351400-S2	.4 Spring washer-special	2	2	
		34805-S2	1/4 Lockwasher			
		33795-S2	1/4-20 Hex nut			
			For bolt assy to headlamp brkt.brace			
		356411-S	3/8" Special flat washer	4	4	
GP 13045	.60		Rim-headlamp	1	1	
		36920-S2	#8-32 x 1-1/8 Rd.Hd. screw-pointed	2	2	
			Reqd.for headlamp rim			
GP 13061	.45		Retainer-headlamp lens	1	1	
GP 13070	1.80		Bracket-headlamp support-RH	1	1	
GP 13071	1.80		Bracket-headlamp support-LH	1	1	
		62257-S	1/4 x 5/8 Flat head solid rivet	6	6	
			For headlamp brkt.hinges to brush guard			
GP 13068	.40		Brace-headlamp brkt.-RH	1	1	
GP 13069	.40		Brace-headlamp brkt.-LH	1	1	
		20327-S2	5/16-24 x 5/8 Hex head bolt	4	4	
		34806-S2	5/16 Lockwasher	4	4	
		33798-S2	5/16-24 Hex nut	4	4	
			2 for fender to apron to brace			
			2 for apron to brace			
GP 13076	.60		Wiring assy-headlamp	2	2	
GP 13200-B	2.50		Headlamp assy-Blackout	2	2	
	#.07		B-13466 Bulb	2	2	(Mazda #63)
GP 13205	.20		Spacer-blackout lamp	2	2	
GP 13208	.40		lens blackout headlamp	2		
GP 13209-A	.20		Gasket-blackout headlamp	2		
GP 13209-B	.20		Gasket-Blackout headlamp	2	2	
GP 13210-A	.35		Door-blackout headlamp	2		
		28362-S2	#8-32 x 3/4 Oval head screw	2		
			Reqd.for blackout headlamp door to body	2		
GP 13210-B	1.40		Door & lens-blackout headlamp	2	2	
GP 13216-B	1.20		Body-blackout headlamp	2	2	



CHASSIS PARTS AND PRICE LIST

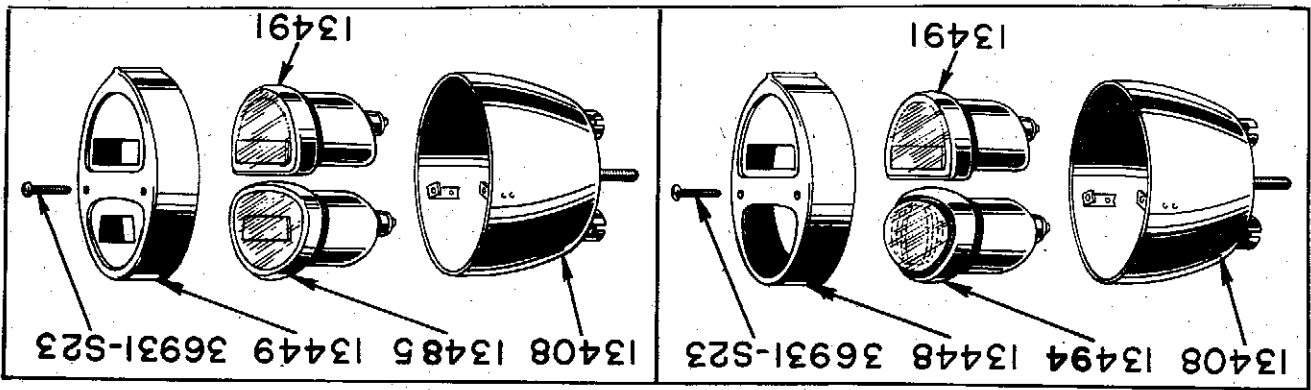


Basic numbers only shown on illustration. Order by Part Numbers shown in list of parts.

GP 13220	.20	Filter-blackout headlamp	2	
GP 13223	.35	Louvre-blackout headlamp	2	
	.45	11A 13532 Switch assy-headlamp dimmer	1	1
	.15	81A 13580-A Socket-headlamp indicator light	1	1
	.40	GP 13586 Jewel assy-headlamp indicator light	1	1
GPS 13300	16.50	Kit-front & rear directional signal lights & switch (For Export only)	1	
GPS 13304		Switch-& wiring-directional signal (For Export only)	1	

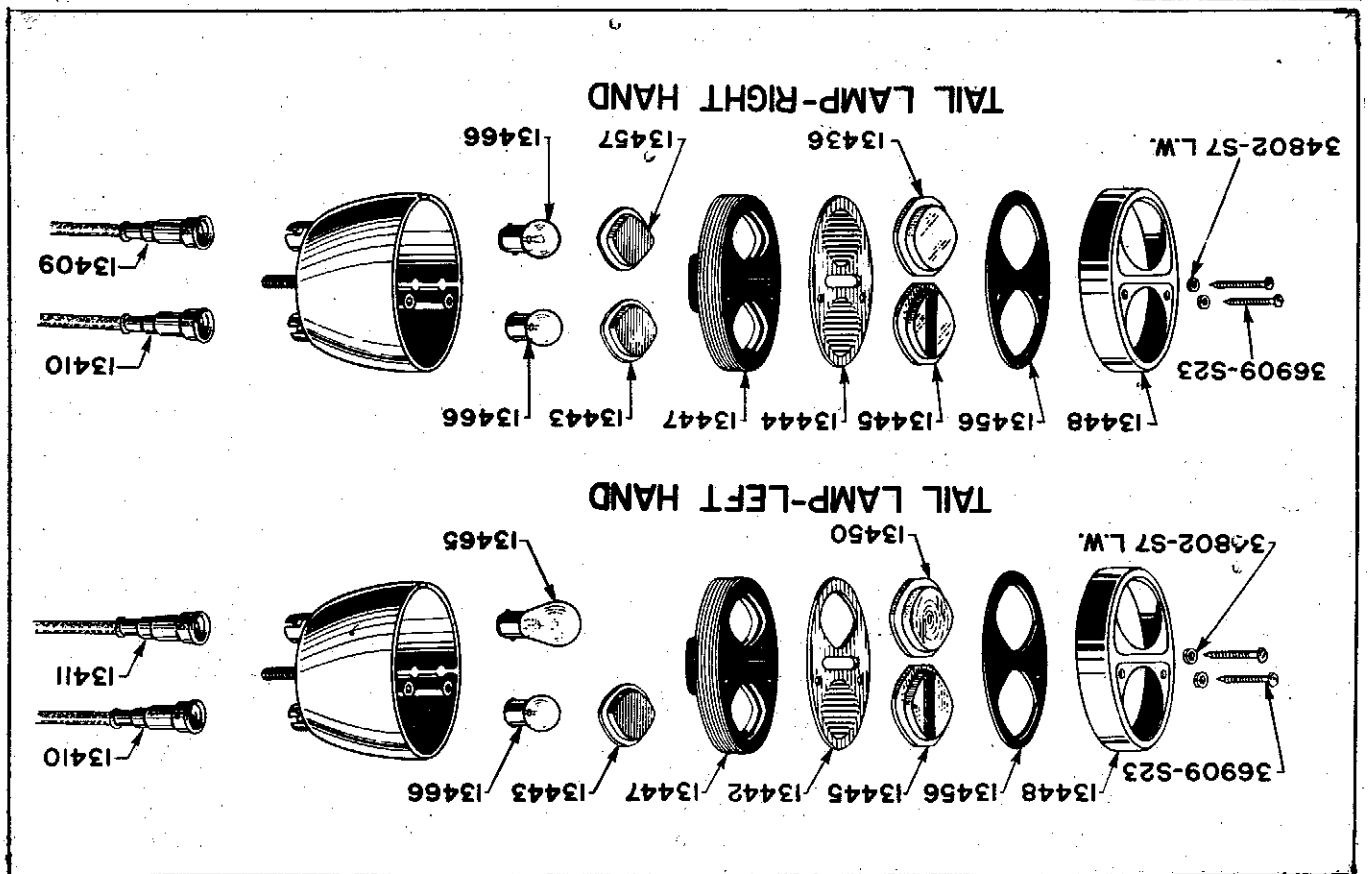
Rear Lamp

11TS13380-A	.50	Reflector assy	4	
		28362-S Screw blackout headlamp door	1	1
GP 13404-B	4.25	Lamp assy-blackout tail & blackout stop	1	1
GP 13405-B	4.25	Lamp assy-blackout tail & service stop	1	1
		33795-S2 1/4-20 Hex nut	4	4
		34805-S2 1/4 Lockwasher	4	4
		For tail lamp to bracket		
GP 13408-B	1.30	Body & socket assy-rear lamp	2	2
GP 13409	.50	Socket & wiring assy-tail lamp-Part of GP-13404	1	
GP 13410	.50	Socket & wiring assy-tail lamp	3	
		1 Reqd. part of GP-13405		
		1 Reqd. part of GP-13404		
GP 13411	.55	Wire assy-service tail & stop light	1	
		1 Reqd. with GP 13405		
GP 13436	.50	Lens-blackout stop lamp	1	
GP 13442	.85	Louvre-blackout tail, service stop & service tail lamp	1	
GP 13443-A	.35	Filter-blackout tail lamp	2	
GP 13444	.85	Louvre-blackout tail and blackout stop lamp	1	
GP 13445-A	.90	Lens-blackout tail lamp	2	
GP 13447-A	.60	Gasket-blackout tail, blackout stop and service stop lamp	2	
GP 13448-A	.60	Door-blackout tail, blackout stop & service tail, service stop lamp	2	
		36909-S23 No. 8-32 x 1 Round head screw	4	
		34808-S2 No. 8 Lock washer	4	
		For GP-13448-A Door		
GP 13448-B	.30	Door-blackout tail & service stop	1	1



GP 1349-B	.30	Door-blackout tail & blackout stop	1	1
GP 13450-A	.55	Lens-service stop and service tail lamp	1	
GP 13456-A	.20	Gasket-blackout tail, blackout stop & service tail, service stop lamp	3	
GP 13457-A	.35	Filter-blackout stop lamp	1	
GP 13461	.25	Grometer-tail lamp to body	2	
40 13465	# .19	Bulb-6-8 volt 21-3 G.P.-Part of GP-13405	1	( Mazda #1158)
B 13466	# .07	Bulb-6 volt 3 G.P.	3	( Mazda #65)
		2 reqd. as part of GP-13404		
		1 reqd. as part of GP-13405		

Basic numbers only shown on illustration. Order by Part Numbers shown in list of parts.



PART NUMBER	LIST PRICE	PART NAME	STEERING	2-W	4-W	MODEL
-------------	------------	-----------	----------	-----	-----	-------

CHASSIS PARTS AND PRICE LIST

*Ford Motor Company*





Ford Motor Company



CHASSIS PARTS AND PRICE LIST

PART NUMBER	LIST PRICE	PART NAME	STEERING		MODEL
			2-W	4-W	
GP 13466	.10	Bulb-blackout headlamp	2	2	
GP 13468	.25	Bracket-tail lamp	2	2	
		60903-S 3/16 x 3/8 Oval head solid rivet For tail lamp brkt. to back panel	8	8	
11A 13480	.50	Switch assy-stop light-Hydraulic Design	1	1	
GP 13485	1.35	Lens, bulb & housing-Blackout stop	1	1	
91A 13490	.01	Spring-stoplight switch terminal	2	2	
GP 13491	1.70	Lens, bulb & housing-blackout tail	2	2	
GP 13494	1.70	Lens, bulb & housing-Service stop	1	1	
11A 13532	.45	Switch assy-headlamp dimmer	1	1	
OLC 13580-A	.12	Socket-headlamp indicator light	1	1	C
GP 13586	.07	Jewel assy-headlamp indicator light	1	1	C
	.12	48 15021 Bulb single contact 6-8 volt (Used as headlamp beam indicator bulb)	1	1	(Mazda #51) C

Instrument Panel Lamp

50 13740	.25	Switch-instrument lamp	1	1	
	# .07	B 13466 Bulb-6 bolt-3 C.P.	3	3	(Mazda #63)
		26467-S2 #8-32 x 3/8 Round Hd Machine screw	2	2	
		34802-S2 #8 Lockwasher	2	2	
GPS 13746	.30	Switch-electric windshield wiper-for Export only	1		

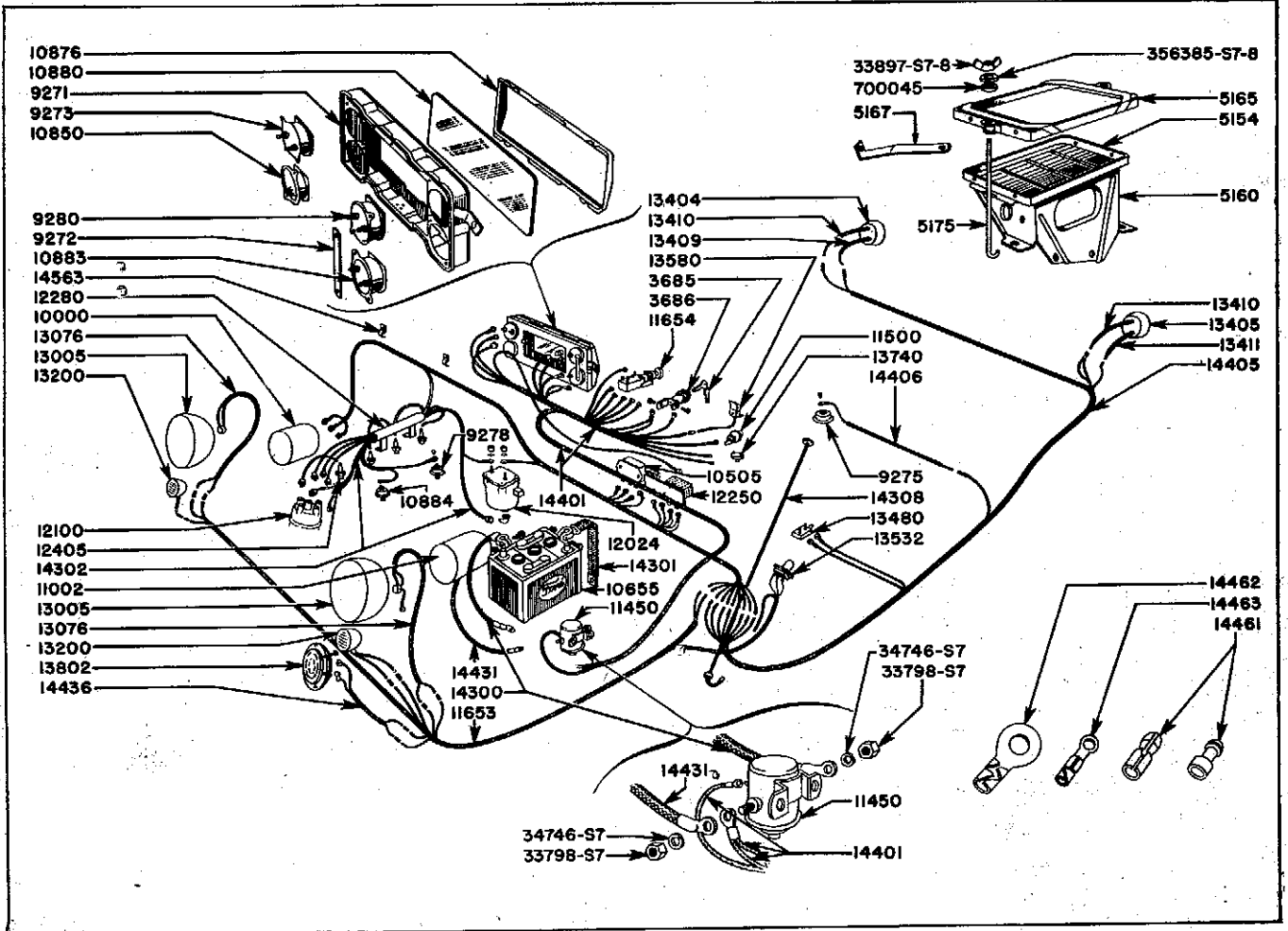
Horn

1GA 9797	.61	Clip-horn switch wire to fender apron-rear	1	1	
		33925-S2 #12 Round Hd sheet metal screw	1	1	
		Reqd. for horn switch wire to fender apron rear clip			
GP 13802	1.90	Horn assy	1	1	
		34052-S7 #8-32 Hex nut	2	2	
		34802-S7 #8 Lockwasher	2	2	
		Reqd. for horn connector wire to terminal			
		20327-S2 5/16-24 x 5/8 Hex head bolt	2	2	
		33798-S2 5/16-24 Hex nut	2	2	
		34806-S2 5/16 Lockwasher	2	2	
		Reqd. for horn body supt. to air defl. & fender apron			



CHASSIS PARTS AND PRICE LIST

PART NUMBER	LIST PRICE	PART NAME	STEERING		MODEL
			2-W	4-W	



Basic numbers only shown on illustration. Order by Part Numbers shown in list of parts.


Wiring

Part Number	List Price	Part Name	2-W	4-W
GP 14300	.60	Cable assy-battery to starter switch	1	1
91A 14301	.35	Cable-battery ground	1	1
GP 14302	.30	Wiring assy-coil to distributor	1	1
GP 14308	.25	Wire assy-horn switch	1	1
GPS 14325	.55	Wire-electric windshield wiper-for Export only	1	
GPS 14326	.07	Wire-electric windshield wiper switch to circuit breaker (For Export only)	1	
GPS 14385	2.10	Wire-directional signal(For Export only)	1	
GP 14401	7.00	Wiring assy-cowl with Blackout switch	1	1
GP 14405	2.00	Wire assy-rear lamp	1	1
GPS 14405	2.00	Wire-rear lamp-for Export only	1	
79 14406	.20	Wire-to gas gauge-tank unit	1	1
GP 14431	.75	Cable assy-relay to starter	1	1
GP 14436	.20	Wire assy-horn connector	1	1
B 14452	.05	Cable terminal-part of GP-14431 & GP-14300	3	3





Ford Motor Company



### CHASSIS PARTS AND PRICE LIST

PART NUMBER	CLASS	LIST PRICE	PART NAME	STEERING		MODEL
				2-W	4-W	
B 14455		.01	Sleeve-wire-part of GP-14436 & GP-14302	4	4	
01A 14461		.01	Wire terminal-part of GP-13200	2	2	
B 14461-B		.01	Terminal-wire snap clinch type-part of GP-13076,14308, 14436,14405, & 11653	34	34	
91A 14462		.02	Wire terminal end eyelet-Part of GP-14401	1	1	
B 14463		.01	Terminal-wire-Part of GP-13076,14436,GP-14302 & GP-14401	23	23	
01A 14463		.01	Wire terminal end-part of GP-14401	2	2	
B 14487		.02	Wire terminal & sleeve assy-part of GP-14405 & GP-11653	22	22	
68 14487		.05	Wire conduit & sleeve assy-with 1-1/2 sleeve-part of GP-11653 & GP-14405	2	2	
A 14550		.20	Support assy-battery to switch cable-part of GP-14431	1	1	
B 14565		.02	Clip-wire Reqd.for fuel line to side rail	1	1	
09B 14567-A		.05	Grommet-wiring	1	1	
B 14567		.02	Grommet-rubber 2 Reqd.for radiator deflector to headlamp wire 1 Reqd.for speedometer cable to floor pan	3	3	
B 14577-A		.01	Clip-wiring 4 Reqd.for wiring to dash clip 1 Reqd.for wiring to side rail	5	5	
			20311-S2 5/16-24 x 1/2 Hex Hd screw	3	3	
			33798-S2 5/16-24 Hex nut	3	3	
			34806-S 5/16 Lockwasher 1 Reqd.for wiring clip to side rail 2 Reqd.for wiring clip to fender apron	3	3	
11A 14577		.02	Clip-wiring Reqd.for wiring to fender apron	2	2	
GPS 14577		.02	Clip-electric windshield wiring to W/S (For Export only)	3		
B 14585		.02	Clip-wire Reqd.for wiring clip to frame	8	8	
GPS 14588		.02	Clip-electric windshield wiring to W/S frame (For Exp. only)	1		
21A 14600		.20	Plate-cowl wiring cover 351779-S7 #14 x 5/8 Binding Hd sheet metal screw Reqd.for cowl wiring cover plate to dash	1	1	
B 14605		.02	Grommet-rubber Reqd.for choke and throttle rod to dash	3	3	
				2	2	

### Fenders

GP 16005	10.50	Fender-front-RH	1	1
GP 16006	10.50	Fender-front-LH	1	1
		20327-S2 5/16-24 x 5/8 Hex head bolt	6	6
		34746-S2 5/16 Flat washer	2	2
		34806-S2 5/16 Lockwasher	6	6
		33798-S2 5/16-24 Hex nut	6	6
		For fender to fender apron		
		35064-S2 5/16-24 x 7/8 Round head screw	6	6
		34806-S2 5/16 Lockwasher	6	6
		34907-S2 3/8 Internal tooth lockwasher	6	6
		33798-S2 5/16-24 Hex nut	6	6
		For fender to brush guard		
		20311-S2 5/16-24 x 1/2 Hex head bolt	2	2
		34746-S2 5/16-Flat washer	2	2
		34806-S2 5/16 Lockwasher	2	2
		For fender to dash		
		20327-S2 5/16-24 x 5/8 Hex head bolt	2	2
		34806-S2 5/16 Lockwasher	2	2
		33798-S2 5/16-24 Hex nut	2	2
		For fender to side panel to dash		
		20347-S2 5/16-24 x 3/4 Hex head bolt	2	2
		34806-S2 5/16 Lockwasher	2	2



Ford Motor Company



CHASSIS PARTS AND PRICE LIST

PART NUMBER	CLASS	LIST PRICE	PART NAME	STEERING		MODEL
				2-W	4-W	
			33798-S2 5/16-24 Hex nut	2	2	
			For fender to side panel to floor support	2	2	
GP 16043		9.50	Apron-front fender-RH	1	1	
GP 16044		9.50	Apron-front fender-LH	1	1	
			20327-S2 5/16-24 x 5/8 Hex head bolt	4	4	
			34746-S2 5/16 Flat washer	4	4	
			34806-S2 5/16 Lockwasher	4	4	
			33798-S2 5/16-24 Hex nut	4	4	
			For apron to dash-top hole	2	2	
			For apron to dash to body bolt brkt.	2	2	
			20311-S2 5/16-24 x 1/2 Hex head bolt	2	2	
			34746-S2 5/16 Flat washer	2	2	
			34806-S2 5/16 Lockwasher	2	2	
			For apron to dash-center hole			

Running Boards

GP 16450		3.25	Board-running-RH	1	1	
GP 16451		3.25	Board-running-LH	1	1	
			20327-S2 5/16-24 x 5/8 Hex head bolt	8	8	
			34806-S2 5/16 Lockwasher	8	8	
			33798-S2 5/16-24 Hex nut	8	8	
			4 for running board to side panel			
			4 for fender to running board			

Hood

GP 16612		29.75	Hood assy	1	1	
			24347-S2 5/16-24 x 3/4 Hex head bolt	4	4	
			34746-S2 5/16 Flat washer	4	4	
			34806-S2 5/16 Lockwasher	4	4	
			For hood hinges to dash to support			
GP 16620		.50	Panel-hood side-RH	1	1	
GP 16621		.50	Panel-hood side-LH	1	1	
			20327-S2 5/16-24 x 5/8 Hex head bolt	4	4	
			34806-S2 5/16 Lockwasher	4	4	
			33798-S2 5/16-24 Hex nut	4	4	
			For hood side to fender			
			35034-S2 5/16-24 x 5/8 Round head screw	4	4	
			34806-S2 5/16 Lockwasher	4	4	
			33798-S2 5/16-24 Hex nut	4	4	
			For hood side to side panel to dash			
GP 16684		.12	Bracket-hood catch	4	4	
			60918-S 1/4 x 7/16 Solid rivet	8	8	
			For hood catch brackets			
GP 16740		.25	Pad-hood-on cowl	1	1	
			351614-S2 No. 6 x 1/2 Flat head sheet metal screw	12	12	
			For hood pad to cowl top			
GP 16800		.35	Hinge-hood assy	1	1	
			60918-S 1/4 x 7/16 Solid rivet	6	6	
			For hood hinge to hood			
GP 16892		.90	Catch-hood and windshield hold down	4	4	
			26483-S2 1/4-20 x 1/2 Round head screw	4	4	
			34805-S2 1/4 Lockwasher	4	4	
			33795-S2 1/4-20 Hex nut	4	4	
			For catch assy to brush guard			

Tools

GP 17005		1.80	Tool bag assy-less tools	1	1	
OIA 17017-B		.40	Wrench-spark plug & cyl.head nut	1	1	
GP 17019		.70	Iron-tire	1	1	
GP 17020		.70	Screw driver-6" length of blade	1	1	



### CHASSIS PARTS AND PRICE LIST

PART NUMBER	LIST PRICE	PART NAME	STEERING		MODEL
			2-W	4-W	
GP 17021	3.10	Wrench-adjustable-automobile type-11"	1	1	
GP 17023	1.95	Wrench-adjustable-crescent type-8"	1	1	
GP 17028	.45	Combin. pliers, slip joint-wire cutting	1	1	
GP 17033	2.60	Wrench-wheel bearing nut	1	1	
GP 17036	1.25	Crank & wheel wrench-starting	1	1	
GP 17037	.25	Bracket-oil can	1	1	
GP 17038	.75	Oil can	1	1	
GP 17040	1.10	Extension-starting crank	1	1	
GP 17042	1.00	Hammer-machinist-ball pein-16 oz.	1	1	
GP 17043	.85	Wrench-eng.double end-#723	1	1	
GP 17044	1.15	Wrench-eng.double end-#25	1	1	
GP 17045	1.35	Wrench-eng.double end-#27C	1	1	
GP 17046	1.80	Wrench-eng.double end-#28D	1	1	
GP 17047	2.35	Wrench-eng.double end-#731-A	1	1	
GP 17101	10.50	Fire extinguisher	1	1	
GP 17102	3.25	Mounting-fire extinguisher	1	1	
GP 17125	3.00	Gun-chassis lubricating-push type	1	1	
		38249-S2 #12-24 x 3/4 Blindng head screw	4	4	
		34804-S2 #12 Lockwasher	4	4	
		Reqd. for fire extinguisher mtg. bracket to dash			

### Speedometer

11C 17255-A	6.75	Speedometer	1	1	
		26457-S7 #8-32 x 1/4 Round hd. screw	5	5	
		Reqd. for speedometer to instrument cluster			
11CF17255		Speedometer-for Export only	1		
OLT 17261	.90	Casing-speedometer shaft	1	1	
OLT 17262	.75	Shaft-speedometer	1	1	
GP 17271	.65	Gear-speedometer driven	1	1	
GP 17277	.15	Bushing-speedometer drive gear	1	1	
GP 17285	2.10	Gear-speedometer drive	1	1	
GP 17333	.25	Sleeve-speedometer	1	1	

### Windshield Wiper

GP 17500	1.85	Wiper-windshield-assy	1	1	
GP 17528	.35	Blade-windshield wiper	1	1	
GP 17534	.20	Arm-windshield wiper inner & knob	1	1	
GP 17535	.50	Arm-windshield wiper outer	1	1	
		351303-S2 Washer-windshield wiper arm flat-special	1	1	
		34824-S2 Lock washer-windshield wiper arm	1	1	
		34054-S2 Nut-windshield wiper arm	1	1	

### Rear View Mirror

GP 17690	.35	Arm-rear view mirror adjusting	1	1	
		355293-S2 Screw-rear view mirror arm thumb	1	1	
		33920-S2 Nut-rear view mirror arm thumb screw lock	1	1	
GP 17696	.12	Bracket-rear view arm-outer	1	1	
GP 17698	.75	Bracket-rear view arm-inner	1	1	
GP 17723	.65	Mirror-rear view	1	1	

### Front Bumper

GP 17750	2.15	Bar-impact	1	1	
GP 17752	.25	Gusset-frame to impact bar-lower-RH	1	1	
GP 17753	.25	Gusset-frame to impact bar-lower-LH	1	1	
GP 17759	.65	Gusset-frame to impact bar-upper	2	2	
		20338-S 3/8-16 x 11/16 Hex head screw	12	12	
		33799-S 3/8-16 Hex nut	12	12	



Ford Motor Company



CHASSIS PARTS AND PRICE LIST

PART NUMBER	LIST PRICE	PART NAME	STEERING		MODEL
			2-W	4-W	
		34807-S 3/8 Lockwasher	12	12	
		8 Reqd. for impact bar to upper gusset			
		4 Reqd. for impact bar to lower gusset			
		20358-S 3/8-16 x 13/16 Hex head screw	2	2	
		33799-S 3/8-16 Hex nut	2	2	
		34807-S 3/8 Lockwasher	2	2	
		For impact bar to side rail to lower gusset			

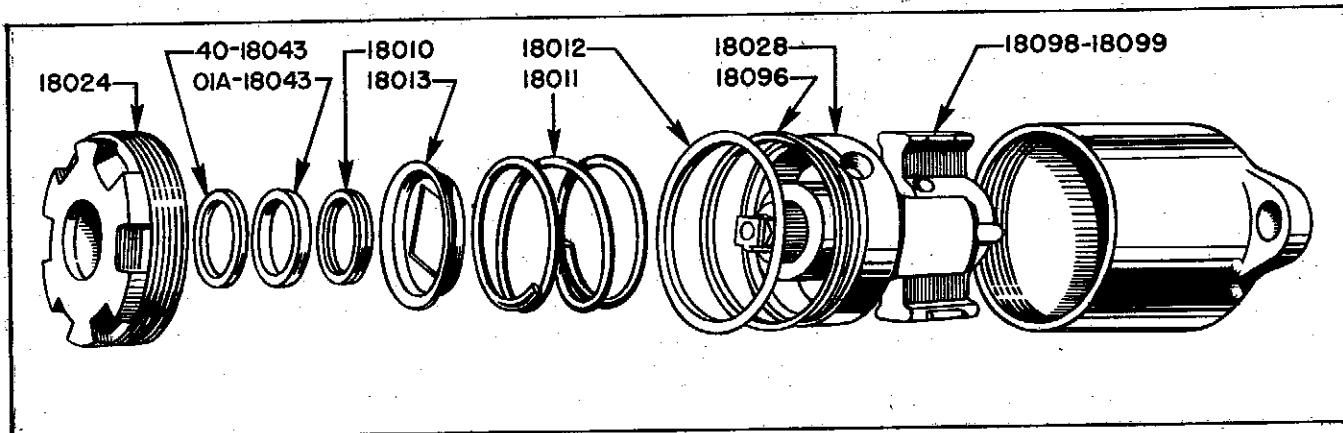
Rear Bumper

GP 17775	3.20	Bumper assy-rear	2	2	
GP 17782	1.50	Bar-rear bumper-impact	2	2	
		20411-S2 7/16-20 x 1-1/8 Hex.head bolt	1	1	
		34808-S2 7/16 Lock washer	1	1	
		33802-S2 7/16-20 Hex.nut	1	1	
		Reqd. for rear bumper impact bar to re'nf. bar & bumper arm inner			
		23398-S2 7/16-20 x 7/8 Carriage bolt	2	2	
		33802-S2 7/16-20 Reg.Hex.nut	2	2	
		34808-S2 7/16 Lock washer	2	2	
		Reqd. for rear bumper impact bar to rear bumper bar outer			
GP 17787	.60	Arm-rear bumper-inner	2	2	
		20411-S2 7/16-20 x 1-1/4 Hex.head bolt	1	1	
		33802-S2 7/16-20 Hex.nut	1	1	
		34808-S2 7/16 Lock washer	1	1	
		Reqd. for rear bumper arm inner to side rail to arm outer & spare wheel support			
		20411-S2 7/16-20 x 1-1/8 Hex.head bolt	1	1	
		34808-S2 7/16 Lock washer	1	1	
		33802-S2 7/16-20 Reg.hex.nut	1	1	
		Reqd. for rear bumper arm inner to side member & arm outer			
GP 17794	.55	Reinforcement-rear bumper bar	2	2	
		20371-S2 7/16-20 x 7/8 Hex.head bolt	2	2	
		34808-S2 7/16 Lock washer	2	2	
		33802-S2 7/16-20 Reg.hex.nut	2	2	
		Reqd. as rear bumper bar reinf. to frame rear cross member			
GP 17796	.65	Arm-rear bumper-outer	2	2	
		20411-S2 7/16-20 x 1-1/4 Hex.head bolt	2	2	
		33802-S2 7/16-20 Reg.hex.nut	2	2	
		34808-S2 7/16 Lock washer	2	2	
		Reqd. as rear bumper arm outer to frame side member to arm inner & rear cross member			



CHASSIS PARTS AND PRICE LIST

PART NUMBER	LIST PRICE	PART NAME	STEERING		MODEL
			2-W	4-W	



Basic numbers only shown on illustration. Order by Part Numbers shown in list of parts.

Shock Absorber

	.10	48 4024-A Stud-shock absorber ball-used with fabric or rubber	8	8	
	.10	48 4024-B Stud-shock absorber ball-used with rubber only	8	8	
		351022-S2 Nut-3/8-24 thin hex slotted-for shock absorber link ball stud-special	8	8	
O1A 18010	.06	Ring-packing gland	4	4	
O1A 18011	.07	Spring-shaft packing take up	4	4	
O1A 18012	.05	Washer-friction	4	4	
O1A 18013	.06	Retainer-spring	4	4	
GP 18024	.70	Cover-shock absorber	4	4	
GP 18028	2.55	Flange-abutment & dowel pin assy	4	4	
40 18043	.05	Packing-wing shaft	4	4	
O1A 18043	.10	Packing-wing shaft	4	4	
GP 18055	1.15	Link assy-front & rear shock absorber	4	4	
B 18060	.05	Bushing-shock absorber link rubber	8	8	
GP 18080-A	5.50	Shock absorber assy 1 Reqd.for RH front, 1 reqd.for LH rear	2	1	prt
GP 18080-B	5.25	Shock absorber assy-right-rear		1	
GP 18081-A	5.50	Shock absorber assy 1 Reqd.for LH front, 1 reqd.for RH rear	2	1	prt
		20401-S2 7/16-20 x 1-1/16 Hex.head bolt	2	2	
		34808-S2 7/16 Lock washer	2	2	
		33802-S2 7/16-20 Hex.nut	2	2	
		Reqd.for front shock absorber to side rail			
		20461-S2 7/16-20 x 1-7/16 Hex.head bolt	2	2	
		34808-S2 7/16 Lock washer	2	2	
		33802-S2 7/16-20 Hex.nut	2	2	
		Reqd.for front shock absorber to side rail to frame			
		#1 C/M brace & engine front support brkt.			
		20421-S2 7/16-20 x 1-3/16 Hex.head bolt	3	3	
		33802-S2 7/16-20 Hex.nut	3	3	
		34808-S2 7/16 Lock washer	3	3	
		Reqd.for rear shock absorber to side rail & pintle hook to frame brace			
		20441-S2 7/16-20 x 1-5/16 Hex.head bolt	1	1	
		33802-S2 7/16-20 Hex.nut	1	1	



Ford Motor Company



CHASSIS PARTS AND PRICE LIST

PART NUMBER	LIST PRICE	PART NAME	STEERING		MODEL
			2-W	4-W	
		34808-S2 7/16 Lock washer	1	1	
		Reqd for rear shock absorber to side rail to pintle hook to frame brace & brake hose brkt-rear			
GP 18081-B	5.25	Shock absorber assy-left-rear		1	
OLA 18096	.04	Gasket-flange	4	4	
GP 18098	3.25	Wing shaft & valve assy-left front & right rear	2	2	
GP 18099	3.25	Wing shaft & valve assy-right front & left rear	2	2	

Tire Chain

GP 18136-A	6.75	Tire chain assy-5.50 x 16 tire	4	4	
GP 18136-B	6.75	Tire chain assy-6.00 x 16 tire	4	4	

Air Cleaner

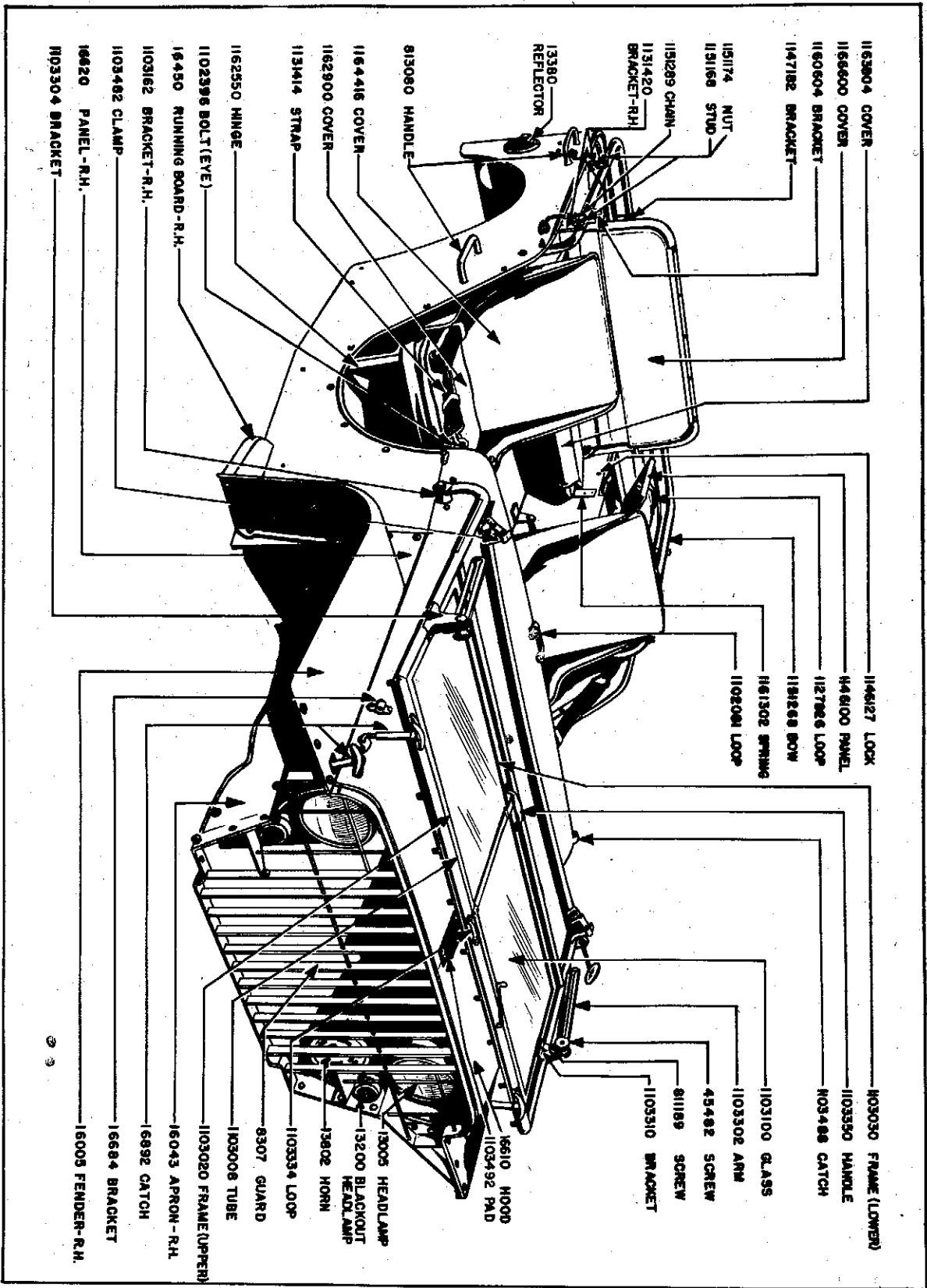
GP 18205	4.00	Cleaner assy-air	1	1	
----------	------	------------------	---	---	--

Oil Filter

GP 18658	3.15	Filter assy-oil	1	1	
GP 18664	.90	Band-oil filter	1	1	
GP 18666	.45	Tube-oil filter-outlet	1	1	
GP 18667	.75	Tube-oil filter-inlet	1	1	
GP 18668	.30	Connector-oil filter to pressure gauge	1	1	
11A 18669	.40	Connector-engine to oil filter tube (Elbow 90°)	1	1	
SN 18686	.10	Elbow-oil filter	4	4	
		2 Reqd.for gasoline strainer inlet & outlet			
		2 Reqd.for oil filter outlet tube			
		20348-S2 3/8-16 x 3/4 Hex head bolt	2	2	
		34807-S2 3/8 Lockwasher	2	2	
		Reqd.for oil filter assy to cyl.head			
OLA 18692-A	.10	Clampassy-oil filter tube-small	1	1	
		(Used as oil filter hose to cyl.head clip)			
		20348-S2 3/8-16 x 3/4 Hex Hd bolt	2	2	
		34807-S2 3/8 Lockwasher	2	2	
		34707-S2 3/8 Flat washer	2	2	
		Reqd.for oil filter to cyl.head			



Basic numbers only shown on illustration. Order by Part Numbers shown in list of parts.



- 116304 COVER
- 116600 COVER
- 116064 BRACKET
- 1147182 BRACKET
- 1151174 NUT
- 1151168 STUD
- 115299 CHAIN
- 1131420 BRACKET-R.H.
- 13380 REFLECTOR
- 813080 HANDLE
- 1164416 COVER
- 1162900 COVER
- 1134114 STRAP
- 1162550 HINGE
- 1102396 BOLT (EYE)
- 16450 RUNNING BOARD-R.H.
- 1103162 BRACKET-R.H.
- 1103482 CLAMP
- 16620 PANEL-R.H.
- 103304 BRACKET
- 1146127 LOCK
- 146100 PANEL
- 1127866 LOOP
- 1181268 BOW
- 161302 SPRING
- 1102001 LOOP
- 103030 FRAME (LOWER)
- 1103350 HANDLE
- 103488 CATCH
- 1103100 GLASS
- 1103302 ARM
- 45482 SCREW
- 811189 SCREW
- 1103310 BRACKET
- 16610 HOOD
- 1103492 PAD
- 13003 HEADLAMP
- 13200 BACKOUT HEADLAMP
- 13802 HORN
- 1103334 LOOP
- 8307 GUARD
- 103008 TUBE
- 1103020 FRAME (UPPER)
- 16043 APRON-R.H.
- 16892 CATCH
- 16684 BRACKET
- 16005 FENDER-R.H.

BODY PARTS AND PRICE LIST

*Studebaker Corporation*





Ford Motor Company



BODY PARTS AND PRICE LIST

PART NUMBER	LIST PRICE	PART NAME	STEERING		MODEL
			2-W	4-W	

BODY

GP 1100001		Body assy-less paint incl.under body assy,side panel assy	1	1	
		Back panel, cowl top panel & instrument panel			

Back

GP 1160604	1.45	Bracket-rear seat back guide-RH	1	1	
GP 1160605	1.45	Bracket-rear seat back guide-LH	1	1	
		26482-S2 #12-24 x 1/2 Round head machine screw	6	6	
		34804-S2 #12 Lock washer	6	6	
358102-815 <sub>d</sub>		Fastener-turn button stud	16	16	
GP 1147184	.60	Support (hand rail to back panel) assy	2	2	
		60957-S 1/4 x 5/8 oval head solid rivet	4	4	

Floor

GP 1110788	.30	Bumper-floor board pedals spacer	2	2	
		38238-S2 #12-24 x 11/16 Screw-floor pan to pedal bumper	2	2	
		34704-S2 #12 Flat washer-floor pan to pedal bumper	2	2	
		34054-S2 #12-24 Hex.nut-floor pan to pedal bumper	2	2	
91A 7011136	.15	Cover-floor pan brake reservoir-and grommet assy	1	1	
GP 1110918	.25	Filler-floor board trans.cover plate-male	1	1	
GP 1110920	.40	Filler-floor board trans.cover plate-female	1	1	
GP 1112116	.15	Gasket-transmission cover-front	1	1	
GP 1112117	.15	Gasket-transmission cover-lower rear	1	1	
GP 1112126	.15	Gasket-transmission cover-lower side-RH	1	1	
GP 1112127	.15	Gasket-transmission cover-lower side-LH	1	1	
GP 1101666	.25	Plate-cross member to dash strainer dust gusset-RH	1	1	
GP 1101667	.25	Plate-cross member to dash strainer dust gusset-LH	1	1	
GP 1112108	6.00	Plate-floor trans.cover assy-front	1	1	
GP 1112110	8.25	Plate-floor board trans.cover-rear	1	1	
		355239-S2 #12-24 x 7/16 Hex head screw	2	2	
		355244-S2 #12-24 x 1/2 Binding head screw & washer assy	9	9	
		34128-S2 Square nut	11	11	
GP 1112148	.20	Plate-floor board pedal opening cover upper	2	2	
GP 1112150	.25	Plate-floor board pedal opening cover-lower	2	2	
GP 1112155	.25	Plate-floor board steering column opening cover-upper	1	1	
GP 1112175	.25	Plate-floor board steering column opening cover-lower	1	1	
		33178-S2 #12 x 3/8 Binding head sheet metal screw	9	9	
GP 1112608	4.60	Plate-floor gun base-assy	1	1	
GP 1112142	.15	Strip-floor board pedals weather	1	1	
GP 1112158	.15	Strip-floor board steering column weather	1	1	

Front

GP 1102081	1.75	Loop-cowl top panel gun strap	1	1	
		62246-S 5/16 x 9/16 Flat head ctak.solid rivet	2	2	
GP 1101621	.12	Plate-speed information	1	1	
		95032-S19 #4-7 x 3/16 Drive screw	4	4	
GP 1101627	.15	Plate-gear shift information	1	1	
		95032-S19 #4-7 x 3/16 Drive screw	4	4	
GP 1101629	.20	Plate-nomenclature	1	1	
		92046-S19 #4 - 5/16 Drive screw	4	4	





Ford Motor Company



BODY PARTS AND PRICE LIST

PART NUMBER	LIST PRICE	PART NAME	STEERING		MODEL
			2-W	4-W	
<b>Seat</b>					
GP 1160032	27.00	Back-rear seat-assy	1	1	
		25655-S2 3/8-24 x 1-3/16 Hex head drilled bolt	2	2	
		34747-S2 3/8 Flat washer	6	6	
		33979-S2 3/8-24 Castle nut	2	2	
		72026-S2 1/8 x 7/8 Cotterpin	2	2	
GP 1162604	2.10	Bar-rear seat foot rest-RH	1	1	
GP 1162605	2.10	Bar-rear seat foot rest-LH	1	1	
		20371-S2 7/16-20 x 7/8 Hex.head bolt	4	4	
		34708-S2 7/16 Flat washer	2	2	
		34808-S2 7/16 Lock washer	4	4	
GP 1162410	4.20	Bracket-rear seat pivot			
		62246-S 5/16 x 9/16 Flat head countersunk rivet	6	6	
GP 1162400	.25	Bracket-rear seat frame to wheelhouse	2	2	
		60933-S 5/16 x 1/2 Oval head solid rivet	4	4	
GP 1162900	4.75	Cover-front seat cushion-assy	2	2	
GP 1164416	6.00	Cover-front seat back-assy	2	2	
		32986-S15 #6 x 1/2 Oval head screw	10	10	
		34884-S15 #6 Finish washer	10	10	
GP 1166600	7.75	Cover-rear seat back-assy	1	1	
		32988-S15 #8 x 1/2 Oval head screw	10	10	
		34885-S15 No. 8 Finish washer	10	10	
GP 1163804	10.25	Cover-rear seat cushion-assy	1	1	
		32989-S2 #10 x 1/2 Oval head machine screw	10	10	
		34878-S2 #10 Countersunk finish washer	10	10	
GP 1160080	42.00	Cushion-rear seat-assy	1	1	
		95460-S15 Fastener-seat cushion cover socket	6	6	
		95397-S15 Fastener-seat cushion cover button	6	6	
		95464-S15 Fastener-seat cushion cover stud	6	6	
		95452-S15 Fastener-seat cushion cover eyelet	6	6	
GP 1161326	8.00	Frame-rear seat back-and panel assy	1	1	
GP 1160600	13.00	Frame-rear seat cushion-and panel assy	1	1	
GP 1162550	1.70	Hinge-passenger seat-assy	2	2	
GP 1152932	.25	Loop-top and side curtain roll strap footman	4	4	
		28963-S15 #10-32 x 3/4 Oval head machine screw	8	8	
GP 1163206	6.00	Pad-front seat cushion-rubber	2	2	
GP 1164812	4.25	Pad-front seat back-rubber	2	2	
GP 1166800	9.75	Pad-rear seat back-rubber	1	1	
GP 1163846	17.00	Pad-rear seat cushion-rubber	1	1	
GP 1160822	1.30	Panel-fuel tank shield	1	1	
		32925-S2 No. 12 x 1/2 Screw	7	7	
GP 1160326	15.25	Seat-passenger-assy-less trim	1	1	
GP 1161912	16.75	Seat-drivers-assy-less trim	1	1	
GP 1160016	48.50	Seat-passenger-assy-complete with mounting brackets	1	1	
		24427-S2 5/16-24 x 1-1/4 Hex head bolt-seat hinge to floor pan	4	4	
		34846-S2 5/16 Heavy lockwasher-seat hinge to flr.pan	4	4	
GP 1160012	42.00	Seat-drivers-assy complete with mounting brackets	1	1	
		20387-S2 5/16-24 x 1 Hex head bolt-seat.supt.to flr.	4	4	
		34846-S2 5/16 Heavy lock washer-seat.supt.to flr	4	4	



BODY PARTS AND PRICE LIST

PART NUMBER	LIST PRICE	PART NAME	STEERING		MODEL
			2-W	4-W	
GP 1160026	70.00	Seat-rear-assy-complete	1	1	
		355504-S2 Rear seat pivot bolt	2	2	
		34749-S2 1/2 Flat washer	4	4	
GP 1161302	.25	Spring-rear seat frame retaining	2	2	
		60894-S 3/16 x 5/16 Oval head solid rivet	4	4	
GP 1152934	1.45	Strap-top & side curtain roll-& buckle assy	2	2	
GP 1152944	1.40	Strap-top & side curtain roll-& tip assy	2	2	
GP 1162548	.65	Support-passenger seat rear	1	1	
GP 1166404	1.15	Trim-front seat side panel-assy-RH	2	2	
GP 1166405	1.15	Trim-front seat side panel-assy-LH	2	2	
		32986-S15 #6 x 1/2 Oval head screw	12	12	
		34884-S15 #6 Finish washer	12	12	

Side

GP 1102396	.60	Bolt-safety eye-on cowl side	2	2	
		34097-S2 3/8-16 Square nut	2	2	
		34807-S2 3/8 Lockwasher	2	2	
GP 1131420A	.45	Bracket-hand rail & top support front-RH	1	1	
GP 1131421A	.45	Bracket-hand rail & top support front-LH	1	1	
GP 1131420B	.50	Bracket-hand rail & top support rear-RH	1	1	
GP 1131421B	.50	Bracket-hand rail & top support rear-LH	1	1	
		73940-S2 5/16 x 1-5/8 Clevis pin	4	4	
		351400-S2 .4 Spring washer	4	4	
		34706-S2 5/16 Flat washer	4	4	
		72010-S2 1/8 x 5/8 Cotterpin	4	4	
GP 1151289	.55	Chain-hand & top bow locking-assy	4	4	
GP 1120040	5.75	Curtain-body side-assy-RH	1	1	
GP 1120041	5.75	Curtain-body side-assy LH	1	1	
		95397-S2 Fastener-button	12	12	
		95460-S2 Fastener-socket	12	12	
		358318-S15 Grommet	4	4	
		358317-S15 Washer	4	4	
81W 813080	.50	Handle-outside assist	4	4	
		20371-S2 7/16-20 x 7/8 Bolt-handle to side panel	2	2	
		20491-S2 7/16-20 x 1-5/8 Bolt-handle to side panel	6	6	
		34708-S2 7/16 Flat washer-handle to side panel	8	8	
		34808-S2 7/16 Lockwasher-handle to side panel	8	8	
GP 1127826	.45	Loop-side panel strainer gun strap	2	2	
GP 1131414	6.00	Strap-adjustable safety-assy	2	2	
		20487-S2 5/16-24 x 1-5/8 Bolt-safety strap to body side	2	2	
		351391-S2 5/16 Special spacer washer-safety strap to body side	2	2	
		33923-S2 5/16-24 Check nut-safety strap to body side	2	2	
		34706-S2 5/16 Flat washer-safety strap to body side	2	2	

Top

GP 1151268	15.75	Bow-top-and hand rail assy	1	1	
GP 1152700	41.50	Deck-top-assy	1	1	
		358318-S15 Grommet	16	16	
		358317-S15 Washer	16	16	
GP 1151174		Nut-hand rail & top row wing-assy	4	4	
GP 1150498	1.90	Screw-top bow socket thumb	2	2	
		352471-S Top bow socket thumb screw groove pin	2	2	
GP 1150378	4.45	Socket-top bow	2	2	
GP 1152720	1.15	Strap-top deck adjusting-assy-16-1/2" long	3	3	
GP 1152730	1.10	Strap-top deck adjusting-assy-14" long	1	1	



Ford Motor Company



BODY PARTS AND PRICE LIST

PART NUMBER	LIST PRICE	PART NAME	STEERING		MODEL
			2-W	4-W	
<b>Tool Compartment</b>					
GP 1146132	.20	Hinge-tool compartment cover-assy	4	4	
		39070-S2 #8-32 x 5/8 Binding head machine screw	8	8	
		34079-S2 Hex nut	8	8	
		34803-S2 Lock washer	8	8	
		60894-S 3/16 x 5/16 Oval head solid rivet	8	8	
GP 1146127	.70	Lock-tool compartment-and key assy	2	2	
GP 1146100	3.60	Panel-tool compartment cover-assy	2	2	
		38188-S2 No. 10-32 x 3/8 Screw	8	8	
		34703-S2 No. 10 Flat washer	8	8	
		34803-S2 No. 10 Lock washer	8	8	
		34079-S2 No. 10-32 Hex nut	8	8	
GP 1146126	.20	Plate-tool compartment lock striker	2	2	
		60894-S 3/16 x 5/16 Oval head solid rivet	4	4	
GP 1146148	.60	Strip-tool compartment cover panel weather	2	2	

**Windshield**

GP 1103302	.80	Arm-windshield swing	2	2	
		351360-S2 Windshield-swing arm flat washer	4	4	
GP 1103162	3.45	Bracket-windshield lower pivot-RH on body	1	1	
GP 1103163	3.45	Bracket-windshield lower pivot-LH-on body	1	1	
		20387-S2 5/16-24 x 1" Hex head bolt-pivot brkt.to cowl flange	4	4	
		34706-S2 5/16-Flat washer-pivot brkt.to cowl flange	4	4	
		34846-S2 5/16 Heavy Lock washer-pivot brkt.to cowl flange	4	4	
		33798-S2 5/16-24 Hex nut-pivot brkt.to cowl flange	4	4	
		23376-S2 1/4-20 x 3/4 Carriage bolt-pivot brkt.to cowl top	4	4	
		34805-S2 1/4 Lockwasher-pivot brkt.to cowl top	4	4	
		33795-S2 1/4-20 Hex nut-Pivot brkt.to cowl top	4	4	
GP 1103524	1.25	Bracket-windshield clamp	2	2	
GP 1103304	.65	Bracket-windshield swing arm-assy-on tube	2	2	
GP 1103310	.50	Bracket-windshield swing arm-assy-on frame	2	2	
		28330-S2 Windshield swing arm frame brkt.screw	4	4	
GP 1103488	1.75	Catch-windshield clamp	2	2	
		28349-S2 1/4-20 x 5/8 Screw-clamp catch to inst.pnl.	4	4	
		34954-S2 #14 Countersunk Shakeproof Lockwasher-clamp catch to inst.panel	4	4	



BODY PARTS AND PRICE LIST

PART NUMBER	LIST PRICE	PART NAME	STEERING		MODEL
			2-W	4-W	
GP 1103482	3.30	Clamp-windshield-assy	2	2	
		20444-S2 1/4-20 x 1-3/8 Hex head bolt	4	4	
		34805-S2 1/4 Lockwasher	4	4	
		33243-S2 No. 12 x 3/8 Oval head screw	2	2	
358102-S15		Fastener-turn button stud	10	10	
GP 1103020	7.50	Frame-windshield upper-assy	1	1	
GP 1103030	10.00	Frame-windshield lower-assy	1	1	
		28330-S2 Windshield frame screw	5	5	
GP 1103100	6.00	Glass-windshield-assy	2	2	
GP 1103330	.30	Handle-windshield center	1	1	
		26480-S2 Windshield center handle screw	2	2	
		34802-S2 Windshield center handle washer	2	2	
GP 1103146	.85	Hinge-windshield female	1	1	
GP 1103334	.25	Loop-windshield hold down	3	3	
		33243-S2 #12 x 3/8 Oval head machine screw	6	6	
GP 1103492	.60	Pad-windshield folding bumper-on hood	1	1	
		30031-S2 1/4-20 x 5/8 Oval head machine screw	4	4	
		34705-S2 1/4 Flat washer	4	4	
		34805-S2 1/4 Lock washer	4	4	
		33795-S2 1/4-20 Hex nut	4	4	
GP 1103446	.40	Plate-windshield clamp tapping-on inst. panel	2	2	
B 45482-A	.20	Screw-windshield swing arm thumb	2	2	
81W 811189	.05	Screw-windshield swing arm to bracket	2	2	
GP 1103106	1.00	Strip-windshield retaining	1	1	
GP 1103110	1.20	Strip-windshield weather	1	1	
GP 1103080	1.20	Strip-windshield frame to cowl weather	1	1	
		33184-S2 No. 10 x 1/2 Screw	15	15	
		351216-S No. 10 Flat washer	15	15	
GP 1103008	38.00	Tube-windshield frame-assy-complete	1	1	
		355546-S2 3/8-16 x 1-1/2 Hex shoulder bolt	2	2	
		34709-S2 1/2 Flat washer	2	2	
		89752-S2 No. 10-24 x 3/8 Headless cone point set	2	2	
		screw-windshield side tube to windshield			
		lower pivot on body bracket			
B 45465-A	.02	Washer-windshield swing arm bracket cup	2	2	
B 45480	.01	Washer-windshield swing arm rubber	2	2	
99W 8103311	.02	Washer-windshield swing arm bracket	2	2	
GP 1103014	40.00	Windshield-frame & glass assy-complete	1	1	



Ford Motor Company

FORD STANDARD PARTS



PART NUMBER	LIST PRICE	PART NUMBER	LIST PRICE	PART NUMBER	LIST PRICE	PART NUMBER	LIST PRICE
20026-S	.. .04	23394-S2	.. .750 .01	32989-S2	.. .400 .01	34144-S2	.. .550 .01
20044-S7	..1.700 .02	23398-S2	.. .06	33178-S2	.. .550 .01	34159-S2	.. .03
20046-S	.. .01	23424-S2	..1.350 .02	33184-S2	.. .500 .01	34703-S2	.. .150 .01
20046-S2	..1.150 .02	23558-S2	..1.150 .02	33190-S2	.. .500 .01	34703-S7	.. .150 .01
20300-S7	.. .650 .01	23678-S2	..1.800 .02	33243-S2	.. .01	34704-S2	.. .100 .01
20309-S2	.. .700 .01	23931-S2	.. .800 .01	33784-S	.. .700 .01	34704-S7	..
20311-S2	.. .450 .01	24347-S2	.. .01	33786-S	.. .03	34705-S2	.. .250 .01
20318-S	.. .850 .01	24387-S2	..1.100 .02	33786-S2	.. .03	34705-S7	.. .250 .01
20319-S2	..1.300 .02	24427-S2	..1.750 .02	33795-S2	.. .500 .01	34706-S2	.. .300 .01
20324-S2	..1.100 .02	24622-S	.. .350 .01	33795-S7-8	.. .500 .01	34707-S2	.. .300 .01
20325-S2	.. .800 .01	24682-S2	..1.250 .02	33796-S2	.. .350 .01	34708-S2	.. .400 .01
20326-S	.. .650 .01	24745-S2	.. .01	33797-S	.. .600 .01	34709-S2	.. .500 .01
20326-S2	.. .01	24916-S	.. .01	33798-S	.. .600 .01	34746-S2	.. .200 .01
20327-S2	.. .01	24916-S2	.. .02	33798-S2	.. .650 .01	34747-S2	.. .200 .01
20328-S	..1.700 .02	24943-S2	..1.350 .02	33798-S7	.. .650 .01	34749-S2	.. .350 .01
20328-S2	..1.100 .02	24951-S2	..1.250 .02	33799-S	..	34802-S2	.. .200 .01
20346-S	..1.100 .02	25032-S2	.. .03	33800-S7	.. .900 .01	34802-S7	.. .200 .01
20347-S2	.. .01	25231-S7	.. .600 .01	33802-S2	..1.300 .02	34803-S	.. .100 .01
20348-S2	..1.450 .02	25411-S2	.. .20	33816-S	.. .03	34803-S2	.. .150 .01
20357-S	.. .900 .01	25655-S2	.. .04	33824-S2	..1.700 .02	34803-S7	.. .150 .01
20357-S2	.. .01	25692-S2	.. .03	33825-S7-8	.. .03	34804-S2	.. .150 .01
20358-S	..	26148-S	.. .700 .01	33836-S7	.. .04	34805-S	.. .150 .01
20366-S	.. .01	26452-S7	..1.100 .02	33838-S	..	34805-S2	.. .200 .01
20367-S2	..1.300 .02	26457-S7	.. .500 .01	33842-S2	.. .03	34805-S7	.. .200 .01
20368-S2	..1.500 .02	26457-S8	.. .500 .01	33846-S2	..1.800 .02	34806-S	.. .200 .02
20371-S2	.. .02	26462-S	.. .350 .01	33846-S7	..1.800 .02	34806-S2	.. .250 .01
20385-S2	.. .800 .01	26462-S7	.. .400 .01	33879-S7	..1.100 .02	34806-S7	.. .250 .01
20387-S2	.. .01	26467-S2	.. .400 .01	33882-S	.. .03	34807-S	.. .300 .01
20388-S	..1.450 .02	26480-S2	.. .350 .01	33897-S7-8	.. .05	34807-S2	.. .300 .01
20388-S2	..1.600 .02	26482-S2	.. .300 .01	33911-S	.. .800 .01	34807-S7	.. .300 .01
20396-S	.. .900 .01	26483-S2	.. .400 .01	33920-S2	.. .750 .01	34808-S	.. .500 .01
20401-S2	.. .900 .01	26515-S2	.. .700 .01	33921-S	.. .06	34808-S2	.. .600 .01
20409-S	..	26547-S4	.. .750 .01	33923-S	.. .600 .01	34809-S	.. .650 .01
20411-S2	.. .03	26587-S7	.. .700 .01	33923-S2	.. .650 .01	34809-S2	.. .700 .01
20421-S2	.. .04	27115-S2	.. .750 .01	33925-S2	.. .450 .01	34810-S2	.. .700 .01
20430-S	..1.700 .02	27161-S	.. .650 .01	33927-S7	..1.350 .02	34813-S	..1.700 .01
20431-S2	.. .02	28330-S2	.. .700 .01	33977-S2	..1.100 .02	34824-S2	.. .200 .01
20432-S	..1.700 .02	28349-S2	.. .700 .01	33979-S2	..1.100 .02	34825-S7	.. .200 .01
20441-S2	.. .02	28362-S2	.. .350 .01	33981-S2	..1.750 .02	34825-S7	.. .200 .01
20443-S2	.. .05	28963-S15	.. .600 .01	33981-S18	.. .02	34842-S	.. .100 .01
20444-S2	..1.700 .02	30031-S2	.. .700 .01	33988-S2	..1.450 .02	34842-S7	.. .200 .01
20447-S	..1.650 .02	30060-S2	.. .550 .01	34029-S	..1.250 .02	34843-S2	.. .150 .01
20461-S2	.. .03	31032-S2	.. .350 .01	34030-S2	..1.300 .02	34843-S7	.. .150 .01
20468-S	..1.500 .02	31045-S2	.. .400 .01	34030-S7-8	..1.300 .02	34846-S	.. .250 .01
20487-S2	.. .03	31077-S7	.. .450 .01	34031-S2	..1.650 .02	34846-S2	.. .300 .01
20489-S2	.. .02	31218-S7-8	..1.850 .02	34031-S18	.. .03	34849-S	.. .01
20491-S2	.. .08	31478-S2	.. .700 .01	34032-S	.. .03	34849-S2	..1.100 .02
20522-S	..1.900 .02	31588-S7	.. .600 .01	34052-S7	.. .250 .01	34868-S	.. .200 .01
20527-S2	.. .05	31598-S7	.. .600 .01	34054-S2	.. .550 .01	34878-S2	.. .200 .01
20559-S2	.. .05	31628-S7	.. .650 .01	34079-S2	.. .300 .01	34884-S15	.. .200 .01
21477-S7-8	.. .03	31662-S2	.. .800 .01	34079-S7	.. .300 .01	34885-S15	.. .300 .01
21492-S2	..1.300 .02	31700-S7	.. .600 .01	34081-S7	.. .400 .01	34902-S	.. .200 .01
21522-S	..1.200 .02	31702-S	..1.100 .02	34083-S2	.. .02	34902-S2	.. .250 .01
21524-S	.. .02	31943-S2	.. .750 .01	34096-S2	.. .600 .01	34903-S7	.. .300 .01
22222-S2	.. .05	32248-S2	.. .400 .01	34097-S2	.. .850 .01	34904-S2	.. .300 .01
22228-S	.. .05	32914-S7	.. .350 .01	34110-S2	.. .800 .01	34905-S7	.. .350 .01
22228-S2	.. .05	32924-S2	.. .450 .01	34126-S7	.. .250 .01	34906-S	.. .300 .01
22229-S7-8	.. .05	32925-S2	.. .600 .01	34128-S2	.. .250 .01	34907-S2	.. .450 .01
22503-S	.. .07	32986-S15	.. .350 .01	34129-S7	.. .250 .01	34911-S7	..1.400 .02
23376-S2	.. .550 .01	32988-S15	.. .500 .01	34141-S	.. .200 .01	34922-S	.. .01



# FORD STANDARD PARTS

PART NUMBER	LIST PRICE	PART NUMBER	LIST PRICE	PART NUMBER	LIST PRICE	PART NUMBER	LIST PRICE
34941-S	.. .500 .01	72016-S	.. .050 .01	350983-S	.. .03	355378-S	.. .04
34954-S2	.. .400 .01	72018-S	.. .150 .01	351022-S2	..1.750 .02	355417-S	.. .01
34956-S2	.. .600 .01	72026-S	.. .100 .01	351059-S	.. .03	355443-S2	.. .850 .01
35034-S2	.. .03	72026-S2	.. .100 .01	351216-S	.. .300 .01	355483-S	.. .04
35064-S2	.. .03	72035-S	.. .100 .01	351253-S7	.. .150 .01	355504-S2	.. .04
36290-S2	.. .04	72043-S	.. .250 .01	351260-S	.. .450 .01	355511-S	.. .03
36909-S23	..	72044-S	.. .150 .01	351283-S7	.. .02	355525-S	.. .07
36987-S7	..1.300 .02	72071-S	.. .150 .01	351303-S2	.. .150 .01	355526-S	.. .03
38188-S2	..1.300 .02	72089-S	.. .200 .01	351360-S2	.. .750 .01	355546-S2	.. .05
38227-S2	.. .500 .01	73889-S7	.. .03	351362-S2	..1.250 .02	355550-S	.. .06
38238-S2	.. .04	73905-S7-8	.. .08	351370-S	.. .300 .01	355551-S	.. .06
38249-S2	.. .500 .01	73925-S7-8	.. .04	351391-S2	.. .04	355552-S	.. .05
39038-S2	.. .650 .01	73928-S7	.. .06	351400-S2	.. .400 .01	355554-S	..
39070-S2	.. .550 .01	73931-S7	.. .02	351436-S7	..1.300 .02	355578-S	.. .05
60006-S	.. .100 .01	73940-S2	.. .05	351466-S24	..1.650 .02	355593-S	..
60076-S	.. .450 .01	74111-S	.. .200 .01	351614-S2	.. .350 .01	355649-S	.. .25
60093-S	.. .550 .01	74173-S	.. .700 .01	351629-S21A-B	.250 .01	355696-S	.. .06
60371-S	.. .350 .01	74178-S	.. .03	351779-S7	.. .850 .01	355698-S	.. .05
60386-S	.. .300 .01	88146-S	.. .02	351915-S	.. .350 .01	355699-S	.. .04
60400-S	.. .350 .01	88371-S	..1.450 .02	351926-S	.. .400 .01	355823-S7	.. .04
60402-S	.. .450 .01	88403-S	.. .04	352201-S	.. .150 .01	355829-S7	.. .04
60414-S	.. .350 .01	88717-S	.. .02	352250-S	.. .100 .01	356073-S8	.. .05
60430-S	.. .550 .01	89752-S2	.. .05	352471-S	..1.100 .02	356125-S	.. .04
60444-S	.. .550 .01	92037-S19	.. .02	352549-S7	.. .04	356126-S	.. .04
60457-S	.. .550 .01	92046-S19	.. .450 .01	352581-S	.. .650 .01	356127-S	.. .04
60470-S	.. .550 .02	95032-S19	.. .05	353027-S7	.. .04	356148-S	.. .25
60472-S	..1.100 .02	95397-S2	.. .06	353031-S7	.. .07	356205-S	..
60894-S	.. .100 .01	95397-S15	.. .03	353043-S7-8	.. .03	356385-S7-8	.. .03
60903-S	.. .100 .01	95452-S15	.. .05	353050-S	.. .04	356411-S	.. .03
60918-S	.. .300 .01	95460-S2	.. .05	353051-S	.. .05	356413-S	.. .04
60933-S	.. .300 .01	95460-S15	.. .05	353064-S	.. .03	356483-S7	..1.100 .02
60957-S	.. .400 .01	95464-S15	.. .04	353075-S	.. .04	356504-S	.. .05
62246-S	.. .450 .01	350081-S7	.. .01	353088-S	.. .03	356511-S	..1.100 .02
62257-S	.. .300 .01	350118-S7	.. .600 .01	353202-S2	.. .800 .01	356513-S	..
62295-S	.. .350 .01	350164-S7	..1.400 .02	353313-S	.. .05	357202-S	.. .05
64647-S	.. .300 .01	350360-S2	.. .03	353313-S	.. .04	357698-S	.. .05
72003-S	.. .050 .01	350400-S	.. .800 .01	3535103-S7	.. .04	358048-S	.. .05
72004-S	.. .050 .01	350433-S	.. .800 .01	3535104-S4	.. .04	358074-S	.. .05
72008-S	.. .050 .01	350439-S	..1.400 .02	3535112-S2	.. .850 .01	358102-S15	.. .05
72009-S	.. .050 .01	350476-S2	.. .800 .01	3535117-S7	.. .03	358209-S4A	.. .05
72010-S	.. .100 .01	350645-S	.. .07	3535239-S2	..1.900 .02	358317-S15	..1.450 .02
72010-S2	.. .100 .01	350925-S	.. .02	3535244-S2	..1.100 .02	358318-S15	.. .03
				3535293-S2	.. .04		