

CLASS REMOVED AUTH
W.D. CIR 353 1945

TM 11-2725

WAR DEPARTMENT TECHNICAL MANUAL

GEREGISTREERD
3 APR 1952
R. & V. HKGS

T7-535

INSTALLATION OF RADIO EQUIPMENT IN TRUCK, 3/4-TON, 4x4, WEAPON CARRIER

This information is furnished with the understanding that it will not be released to other than military purposes; that individual or corporation rights originating in the information whether patented or not will be respected; and that the information will be afforded substantially the same degree of security as afforded by the United States of America. Department of the Navy, Army, or Air Force.

RESTRICTED. DISSEMINATION OF RESTRICTED MATTER.—The information contained in restricted documents and the essential characteristics of restricted material may be given to any person known to be in the service of the United States and to persons of undoubted loyalty and discretion who are cooperating in Government work, but will not be communicated to the public or to the press except by authorized military public relations agencies. (See also par. 23b, AR 380-5, 15 Mar 1944.)

INSTALLATION OF
RADIO EQUIPMENT
IN TRUCK, 3/4-TON,
4 x 4, WEAPON CARRIER



WAR DEPARTMENT • FEBRUARY 1945

RESTRICTED. DISSEMINATION OF RESTRICTED MATTER. The information contained in restricted documents and the essential characteristics of restricted material may be given to any person known to be in the service of the United States and to persons of undoubted loyalty and discretion who are cooperating in Government work, but will not be communicated to the public or to the press except by authorized military public relations agencies. (See also par. 23b, AR 380-5, 15 Mar 44.)

RESTRICTED

WAR DEPARTMENT

WASHINGTON 25, D. C., 27 February 1945

TM 11-2725, Installation of Radio Equipment in Truck, $\frac{3}{4}$ -ton, 4x4, Weapon Carrier, is published for the information and guidance of all concerned.

[AG 300.7 (29 Jan 45)]

BY ORDER OF THE SECRETARY OF WAR:

G. C. MARSHALL
Chief of Staff

OFFICIAL:

J. A. ULIO
Major General
The Adjutant General

DISTRIBUTION:

AAF (5); AGF (5); ASF (2); T of Opn (5); Dept (5); Def Comd (2); Base Comd (5); AAF Comd (2); Arm & Sv Bd (2); S Div ASF (1); Tech Sv (2); SvC (5); Area ASvC (2); WDGS Lib (5); PC&S (2); PE (2); Dep 11 (2); Gen Oversea SOS Dep (Sig Sec) (2); GH (2); M Conc C (2); Air Base Hosp (2); Gen Sv Sch (5); Sp Sv Sch (10); USMA (10); ROTC (5); Lab 11 (2); Sig AS (2); Rep Shop 11 (2); A (5); D (2); AF (2); T/O&E 11-107(3); 11-127(3); 11-587(3); 11-592(3); 11-597(5).

For explanation of symbols, see FM 21-6.

RESTRICTED

RESTRICTED

CONTENTS

	<i>Paragraph</i>	<i>Page</i>
SECTION I. GUIDE TO USE OF THIS MANUAL.		
Purpose	1	1
Equipment	2	1
Holes and brackets.....	3	1
Preliminary check	4	1
Operating check	5	1
II. IGNITION NOISE SUPPRESSION IN TRUCK, 3/4-TON, 4x4, WEAPON CARRIER.		
General	6	2
Procedure	7	2
III. FACSIMILE EQUIPMENT RC-58-().		
Required parts	8	3
Assembly and installation.....	9	3
IV. RADIO SET SCR-193-U.		
Required parts	10	6
Assembly and installation.....	11	7
V. RADIO SET SCR-284-() IN 12-VOLT VEHICLES.		
Required parts	12	11
Assembly and installation.....	13	11
VI. RADIO SET SCR-506-().		
Required parts	14	14
Assembly and installation.....	15	14
VII. RADIO SET SCR-508-(), SCR-528-(), SCR-608-(), OR SCR-628-().		
Required parts	16	18
Assembly and installation.....	17	18
VIII. RADIO SET SCR-510-() OR SCR-610-() IN 12-VOLT VEHICLE.		
Required parts	18	22
Assembly and installation.....	19	22
IX. RADIO SET SCR-284-() IN 6-VOLT VEHICLE.		
Required parts	20	26
Assembly and installation.....	21	26
X. RADIO SET SCR-610-() IN 6-VOLT VEHICLE.		
Required parts	22	28
Assembly and installation.....	23	28

RESTRICTED

DESTRUCTION NOTICE

WHY — To prevent the enemy from using or salvaging this equipment for his benefit.

WHEN — When ordered by your commander.

HOW —

1. Smash — Use sledges, axes, handaxes, pickaxes, hammers, crowbars, heavy tools.
2. Cut — Use axes, handaxes, machetes.
3. Burn — Use gasoline, kerosene, oil, flame throwers, incendiary grenades.
4. Explosives — Use firearms, grenades, TNT.
5. Disposal — Bury in slit trenches, fox holes, other holes. Throw in streams. Scatter.

USE ANYTHING IMMEDIATELY AVAILABLE FOR DESTRUCTION OF THIS EQUIPMENT

WHAT —

1. Smash — All vacuum tubes, crystals, control dials, coupling coils, transformers, speakers in receivers, external loudspeakers, microphones, headsets, dynamotors, and cable connectors.
2. Cut — All connecting wires, cording, and cabling.
3. Burn — All equipment and all associated training, technical, and installation manuals.
4. Bury or scatter — All remains, after destroying their usefulness.

DESTROY EVERYTHING

RESTRICTED

SAFETY NOTICE

This equipment uses high voltages which are dangerous to life. Observe all safety precautions.

1. Make no adjustments inside the equipment with the power switch on.
2. Do not operate the equipment with the shields removed.
3. Do not connect power to any unit of these radio sets until operating instructions have been read completely.

RESTRICTED

SECTION I

GUIDE TO USE OF THIS MANUAL

1. Purpose

This manual provides methods and procedure, based upon actual field experience, for installation of radio and interphone equipment in Truck, $\frac{3}{4}$ -ton, 4x4, Weapon Carrier.

Items required to make a complete operating installation are listed for each set. Official nomenclature followed by empty parentheses, such as Headset HS-30-(), is used to indicate any model of equipment regardless of its procurement.

2. Equipment

Installations covered include the following radio sets:

RC-58-()	SCR-508-()
SCR-193-U	SCR-510-()
SCR-284-()	SCR-528-()
SCR-506-()	SCR-608-()
SCR-610-()	SCR-628-()

3. Holes and Brackets

Brackets required for installation of the radio set are normally drilled and installed prior to delivery of Truck, $\frac{3}{4}$ -ton, 4x4 Weapon Carrier. Drilling instructions are given in this manual for any other necessary holes and brackets. Do

not relocate any holes or brackets unless absolutely necessary.

4. Preliminary Check

Study the illustrations, the installation methods outlined, and any subsequent changes to this manual.

Caution: Truck, $\frac{3}{4}$ -ton, 4x4, Weapon Carrier, may have either a 12-volt or a 6-volt electrical system. Models of this truck having all-metal bodies will have a 6-volt electrical system. Models having composite wood and metal bodies may have either 6-volt or 12-volt electrical systems. Before installing the radio sets, be sure they are designed for the proper voltage operation, or tubes may burn out or dynamotors may be damaged.

With the exception of the radio sets referred to in sections IX and X, the installations will be made in vehicles with 12-volt electrical systems.

5. Operating Check

Carefully study the Technical Manual covering the radio set before trying to operate it; then, make a thorough operating check to determine whether the equipment has been properly installed and is in working order.

SECTION II

IGNITION NOISE SUPPRESSION IN TRUCK, 3/4-TON, 4x4, WEAPON CARRIER

6. General

Excessive ignition or other electrical noises may interfere with the operation of radio equipment in Truck, 3/4-ton, 4x4, Weapon Carrier. The Technical Manual issued with the vehicle will be helpful in locating the source of the noise, since it describes the suppression system used. Instructions for operating radio equipment used in the vehicle also should be studied.

7. Procedure

Locate and suppress ignition noises as follows:

a. Start the motor of the vehicle and turn on

the radio set. Put the receiver sensitivity control at *maximum*; then, listening to the receiver output with a headset, slowly tune the receiver over the entire range of frequencies to be used for communication.

b. When the frequency (or frequencies) with greatest noise level is found, turn off the vehicle engine. If this noise continues, the source is outside the ignition system. If noise stops, the trouble is in the ignition system.

c. Start the engine again. Adjust the receiver sensitivity control until engine noises can be distinguished easily from static, etc. Interference may then be identified as follows:

Interference	Usual source
Popping sound: corresponds to ignition firing; stops when engine is turned off; accelerates when engine is raced.	Ignition system.
Intermittent, clicking sound: lingers for several seconds when ignition is turned off.	Generator regulator.
Whining sound: varies with speed of engine; ceases only when generator stops rotating.	Generator.
Sparkling, or continuous crackling noise.	Brushes and commutator of generator.

d. Interference from other electrical parts and circuits of the vehicle, such as panel gauges and heater fans, can usually be identified by turning off the gauges, fans, or other suspected mechanisms individually.

e. If the source of interference still cannot be found by any of the preceding methods, connect a probe antenna (fig. 24) to the antenna terminal of the radio set. Slowly move the loop of the probe antenna over the various parts of the electrical system of the vehicle. Keep the loop close to, but not in contact with, the part being examined. Noise from interference-producing parts should be heard in the receiver.

f. Usually interference can be eliminated by

cleaning, tightening, or replacing noise-producing parts. Examine and tighten all suppressor and shielding components, and all connections and grounding bonds. Clean the surface under them. This will assure good electrical contact between wires and terminals, and between metal casings and the frame of the vehicle. (Insulated but ungrounded metal parts absorb the reradiate electrical noises.)

g. If interference persists, suppressor components should be checked by substituting new ones. If a replacement is not available, disconnect the suspected component, and test capacitors, resistors, and chokes within it. Replace any that are defective,

SECTION III

FACSIMILE EQUIPMENT RC-58-()

8. Required Parts

Items necessary for installation of Facsimile

Equipment RC-58-() in Truck, 3/4-ton, 4x4, Weapon Carrier (12-volt) are listed below:

Quantity	Stock No.	Item
1	2C408	Amplifier BC-908-(), including two Dynamotors DM-21-() (one spare), Mounting FT-318-(), set of installed tubes, and fuses and lamps.
1	2Z2599-108	Chest CH-108-(), for spare parts group.
1	6Z3147	Connector No. 61007 and Bondnut BL-50.
1	3E1606	Cord CD-606-(), connecting Amplifier BC-908-() to Recorder Scanner BC-918-().
1	3E1608	Cord CD-608-(), connecting Amplifier BC-908-() to vehicle battery.
1	3E1999-18	Cord CD-1018, connecting Amplifier BC-908-() to radio receiver.
1	3E1999-19	Cord CD-1019, connecting Amplifier BC-908-() to radio transmitter.
1	2Z3400-118	Cover BG-118-(), for Recorder Scanner BC-918-().
1	2Z3400-128	Cover BG-128-(), for Amplifier BC-908-().
^a 1	2Z4660-89	Frame FM-89, including hardware.
1	6L50-58V36	Hardware bag.
1	6C262-918	Recorder Scanner BC-918-() (12-volt), including two Motors MO-28-(), Mounting FT-328-(), set of installed tubes, two Vibrators VB-3-(), two Resistors RS-288, two regulator resistors.
50 rolls	6M1540	Tape M-298.
1	2C25-58/SP	Spare parts.
^b 2	2Z7091-34	Spacer.
1	6D13047	TM 11-374, for Facsimile Equipment RC-58-().
1	6M2200	Writing Stand MC-308-().
3 ft	1B128	Wire W-128, for ground leads.

^aFrame FM-89 is required only when Facsimile Equipment RC-58-() is installed in combination with Radio Set SCR-506-() or with Radio Sets SCR-506-() and SCR-510-(). Delete Frame FM-89 for installations in combination with Radio Set SCR-193-U.

^bSpacer is required only when Facsimile Equipment RC-58-() is installed in combination with Radio Set SCR-193-U or with Radio Sets SCR-193-U and SCR-510-().

9. Assembly and Installation

a. FACSIMILE EQUIPMENT RC-58-(), IN COMBINATION WITH RADIO SET SCR-506-() OR WITH RADIO SETS SCR-506-() AND SCR-510-(). Components of Facsimile Equipment

RC-58-(), in above combinations, should be installed in Truck, 3/4-ton, 4x4, Weapon Carrier as shown in figures 1 and 2, and as directed below. The method of installation shown in figure 1 is identical with that shown in figure 2.

Part and location

Method and materials

Frame FM-89 (item 25, fig. 1) (item 28, fig. 2), on floor of cargo compartment, right front corner.

Locate in position with rear of frame toward front body panel as shown in figure 1. Secure with hardware provided, using flatwashers underneath vehicle floor.

Mounting FT-318-() (item 14, fig. 1) (item 16, fig. 2), on lower plates of Frame FM-89.

Secure in position with hardware provided.

Mounting FT-328-() (item 13, fig. 1) (item 15, fig. 2), on plates in center of Frame FM-89.

Secure in position with hardware provided.

Amplifier BC-908-() (item 4, fig. 1) (item 5, fig. 2), on Mounting FT-318-().

Secure in place with snap slide fasteners.

<i>Part and location</i>	<i>Method and materials</i>
Recorder Scanner BC-918-() (item 3, fig. 1) (item 4, fig. 2), on Mounting FT-328-().	Secure in place with snap slide fasteners provided.
Writing Stand MC-308-() (item 6, fig. 1) (item 7, fig. 2).	Stow in compartment provided at top of Frame FM-89.
Cord CD-606-() (item 34, fig. 1) (item 41, fig. 2).	Use Cord CD-606-() to connect Amplifier BC-908-() to Recorder Scanner BC-918-(). Tape cord to Frame FM-89 as shown in figure 1 or 2.
Cord CD-608-() (item 35, fig. 1) (item 42, fig. 2).	Connect Cord CD-608-() to Amplifier BC-908-() and route to vehicle terminal box located in battery compartment. Secure with connector and bondnut in knock-out hole in terminal box. Secure cord to front body panel with two clamps No. 4 (fig. 14) as shown in figures 1 and 2.
Wire W-128 (items 39 and 40, fig. 1) (items 48 and 49, fig. 2).	Cut two lengths of Wire W-128, 16 and 20 inches long. Strip and solder-tin 1 inch of each end, and solder a terminal (provided in hardware bag) to one end of 20-inch length. Secure terminal to truck by means of a screw securing a clamp to front panel of body. Connect other end to GROUND terminal on Amplifier BC-908-(). Connect 18-inch length to GROUND terminal on Amplifier BC-908-() and to GROUND terminal on Recorder Scanner BC-918-().
Cover BG-118-() (item 29, fig. 1) (item 34, fig. 2).	Place over Recorder Scanner BC-918-().
Cover BG-128-() (item 30, fig. 1) (item 35, fig. 2).	Place over Amplifier BC-908-().
Cords CD-1018 and CD-1019 (items 36 and 37, fig. 1) (items 43 and 44, fig. 2).	Insert Plugs PL-55 and PL-68 on one end of each cord into PHONES and MICRO jacks on front panel of Amplifier BC-908-(). Insert plugs on other end of cords into microphone and headphone jacks on Radio Transmitter BC-653-() and Radio Receiver BC-652-(). Secure cords in place with clamps No. 5 (fig. 14) and hardware provided.
Chest CH-108-() (item 41, fig. 1) (item 50, fig. 2).	Stow spare parts in chest and locate in storage compartment.

b. FACSIMILE EQUIPMENT RC-58-(), IN COMBINATION WITH RADIO SET SCR-193-U OR WITH RADIO SETS SCR-193-U AND SCR-510-(). Components of Facsimile Equipment RC-58-(), in above combinations, should be installed in Truck, 3/4-ton, 4x4, Weapon Carrier as shown in figures 3, 4, and 5 and as directed below. The method of installation of Facsimile Equipment RC-58-() shown in figures 4 and 5 is identical with that shown in figure 3.

<i>Part and location</i>	<i>Method and materials</i>
Mounting FT-318-() and spacer (items 10 and 59, fig. 3) (items 12 and 68, fig. 4), on right seat platform in cargo compartment.	Secure mounting in place, using spacers underneath, with hardware provided as shown in figures 3 and 4.

<i>Part and location</i>	<i>Method and materials</i>
Mounting FT-328-() (item 11, fig. 3) (item 13, fig. 4), on right seat platform in cargo compartment forward of Mounting FT-318-().	Secure in place with hardware provided.
Wire W-128 and terminal (items 56 and 93, fig. 3) (items 65 and 103, fig. 4).	Cut two 18-inch lengths of Wire W-128. Strip and solder-tin 1 inch of each end and solder a terminal (obtained from bag of hardware) to one end of each length. Refer to view C of figures 3 and 4 and secure terminals on wires to right side of vehicle body as shown. Route both wires to front of Mountings FT-318-() and FT-328-().
Cord CD-606-() (item 43, fig. 3) (item 52, fig. 4).	Route as shown in figures 3 and 4. Secure excess cordage at rear of Mounting FT-318-() with clamp No. 7 (fig. 14). Use Cord CD-606-() to connect Amplifier BC-908-() to Recorder Scanner BC-918-().
Cord CD-608-(), connector No. 61007 and Bondnut BL-50 (items 44, 38, and 39, fig. 3) (items 53, 45, and 46, fig. 4).	Route Cord CD-608-() and secure excess cordage as shown in figures 3 and 4. Install connector and bondnut to pass cord through knock-out hole in terminal box.
Recorder Scanner BC-918-() (item 3, fig. 3) (item 4, fig. 4), on Mounting FT-328-().	Secure in place with snap slide fasteners provided. Connect ground wire to GROUND binding post on recorder scanner. Connect Cord CD-606-() to receptacle.
Amplifier BC-908-() (item 4, fig. 3) (item 5, fig. 4), on Mounting FT-318-().	Secure amplifier in place with snap slide fasteners provided. Connect ground wire to GROUND binding post on amplifier. Connect Cords CD-606-() and CD-608-() to proper receptacles on amplifier.
Cords CD-1018 and CD-1019 (items 45 and 46, fig. 3) (items 54 and 55, fig. 4).	Insert Plugs PL-55 and PL-68 on ends of cords into PHONES and MICRO jacks on front panel of Amplifier BC-908-(). Insert plugs on other end of each cord into microphone and headset jacks on Radio Receiver BC-312-().
Clamps (fig. 14) (items 67 to 73, inclusive, fig. 3) (items 76 to 82, inclusive, fig. 4).	Secure all cords in place with clamps as shown in figures 3 and 4.
Cover BG-118-() (item 34, fig. 3) (item 40, fig. 4).	Place over Recorder Scanner BC-918-().
Cover BG-128-() (item 33, fig. 3) (item 39, fig. 4).	Place over Amplifier BC-908-().
Writing Stand MC-308-() (item 28, fig. 3) (item 32, fig. 4).	Stow in convenient place in vehicle.
Chest CH-108-() (item 27, fig. 3) (item 31, fig. 4).	Stow spare parts in Chest CH-108-() and stow chest in convenient place in vehicle.

SECTION IV
RADIO SET SCR-193-U

10. Required Parts

Items necessary for installation of Radio Set

SCR-193-U in Truck, 3/4-ton, 4x4, Weapon Carrier, are listed below:

Quantity	Stock No.	Item
1	2A224A	Antenna A-24-A, auxiliary antenna.
1	2A275-27	Antenna A-27, phantom.
1	2Z1108	Box BX-8, for transmitter spare tubes.
1	2Z1119	Box BX-19, for receiver spare tubes.
1	2Z1121	Box BX-21, for Boxes BX-8 and BX-19, headsets, etc.
1	2Z1250.82	Bracket (fig. 18), for Antenna A-27.
1	2Z1250.66	Bracket (fig. 20), for Loudspeaker LS-3.
1	2Z1203.422	Brush Guard FT-422.
1	2Z1577-153	Chest CH-153-().
^a 3	4B417-4	Chest Set TD-4.
2	2Z1848	Case CS-48, for transmitter tuning unit.
1	3E1318	Cord CD-318-A, for Microphone T-45.
1	3E2131	Cordage CO-131, 96 in. long, connecting Junction Box TM-188 to terminal box.
1	3E1237	Cord CD-237, 12 in. long, connecting Radio Transmitter BC-191-() to Dynamotor Unit BD-77-().
1	3E1260	Cord CO-260-A, 72 in. long, connecting Dynamotor Unit BD-77-() to terminal box.
1	3E1267	Cord CD-267, for Loudspeaker LS-3.
1	3E1359	Cord CD-359, 24 in. long, connecting Radio Transmitter BC-191-() to Junction Box TM-188.
1	3E1422	Cord CD-422, 24 in. long, connecting Radio Receiver BC-312-() to Junction Box TM-188.
1	3E1424	Cord CD-424, 12 in. long, connecting Radio Transmitter BC-191-() to Dynamotor Unit BD-77-().
1	6C18-41	Cover CW-41/U.
1	2Z3384	Cover BG-84, for Chest CH-153.
1	2Z3375	Cover BG-75-A for Radio Receiver BC-312-().
1	2Z3378	Cover BG-78-A for Radio Transmitter BC-191-().
1	3H1359	Cover BG-79-A, for Dynamotor Unit BD-77-().
2	6Z3147	Connector No. 61007 and Bondnut BL-50.
1	3H1777.2	Dynamotor Unit BD-77-(), including Mounting FT-107-().
1	6L50-193V36	Hardware bag.
^a 3	2B800-16	Headset H-16/U.
3	3G586	Insulator IN-86.
2	3G601	Insulator IN-101.
4	3G604	Insulator IN-104.
3	3G621	Insulator IN-121.
1	2Z5681	Junction Box TM-188.
1	3Z3445	Key J-45.
1	2Z6303.1	Loudspeaker LS-3.
^b 1	2A2088-65	Mast Base MP-65.
^b 6	2A2416	Mast Section MS-116.
^b 2	2A2417	Mast Section MS-117.
^b 2	2A2418	Mast Section MS-118.
^c 1	2A2090-50	Mast Base Bracket MP-50.
^a 2	2B1645	Microphone T-45.
1	2Z6712	Mounting FT-172, snubber for Radio Transmitter BC-191-().
1	2Z6718	Mounting FT-178, snubber for Radio Receiver BC-312-().
1	2C4312	Radio Receiver BC-312-(), including Mounting FT-162, TM 11-850, spare fuses and brushes, Dynamotor DM-21-(), and set of tubes installed.
1	2C6191.8	Radio Transmitter BC-191-(), including Mounting FT-151-(), fuses, lamps, TM 11-800, Socket Cap M-163-A, Socket Cap M-164-A, and two Socket Caps M-165-A.
^c 2	2Z6721-429	Reinforcing Plate FT-429.
1	2Z8056	Roll BG-56-(), for mast sections.
50 ft	6Z7926	Rope RP-5, for auxiliary antenna, and for tying down mast sections.
4		Spacers.

Quantity	Stock No.	Item
2	6D13073	TM 11-273, for radio Set SCR-193-().
1	2C8005.1	Transmitter Tuning Unit TU-5-().
1	2C8006.1	Transmitter Tuning Unit TU-6-().
1	2C8007.1	Transmitter Tuning Unit TU-7-().
1	1B128	Wire, W-128, including quantity for spare lead-in.

^aWhen Headset H-16/U, Microphone T-45, and Chest TD-4 are not available, use Headset HS-30-(), Microphone T-17 and Cords CD-307-A and CD-604.

^bMast Base MP-37 or MP-57 with Cover BG-67-() and Mast Sections MS-49 through MS-53 with Clamps MC-421 through MC-424, may be substituted for Mast Base MP-65 and Mast Sections MS-116, MS-117, and MS-118.

^cMast Base Bracket MP-50 and Reinforcing Plate FT-429 are required only when Radio Set SCR-193-U is installed in combinations with Radio Set SCR-510-() or with Radio Set SCR-510-() and Facsimile Equipment RC-58-(). When Radio Set SCR-193-U is installed alone, Mast Base Bracket MP-50 supplied with the vehicle shall be used.

II. Assembly and Installation

a. LOCATION AND ASSEMBLY OF COMPONENTS.
Components of Radio Set SCR-193-U should

be installed in Truck, 3/4-ton, 4x4, Weapon Carrier (12-volt) as shown in figures 6 and 7, and as directed below:

Part and location

Method and materials

Mounting FT-107-() (item 5, fig. 6) (item 6, fig. 7), on floor of Chest CH-153 (item 18, fig. 6) (item 21, fig. 7) at left.

Secure mounting in position with hardware provided.

Mounting FT-151-() (item 3, fig. 6) (item 4, fig. 7), on floor of Chest CH-153, at right.

Secure mounting in position with hardware provided.

Wire W-128 (items 41 and 42, fig. 6) (items 49 and 50, fig. 7), for ground leads.

Cut one 6-inch length and one 18-inch length of Wire W-128. Strip and solder-tin 1 inch of each end of 6-inch length and solder terminal (obtained from hardware bag) to one end. Strip 2 inches of one end of 18-inch length of Wire W-128, and 1 inch of other end. Solder-tin tips and solder terminal to 1-inch tip.

Wire W-128 (items 39 and 40, fig. 6) (items 47 and 48, fig. 7), for antenna leads.

Cut one 46-inch length and one 56-inch length of Wire W-128. Strip and solder-tin 1 inch of each length.

Mounting FT-162 (item 4, fig. 6) (item 5, fig. 7), on shelf of Chest CH-153.

Secure mounting in place with hardware provided. Refer to view B of figure 6 or 7 for application of shakeproof lockwashers and method of securing 6-inch ground lead for Radio Receiver BC-312-().

Mountings FT-172 and FT-178 (items 6 and 7, fig. 6) (items 7 and 8, fig. 7), on rear wall of Chest CH-153.

Secure Mounting FT-172 on rear wall of Chest CH-153, at right, with hardware provided. Secure Mounting FT-178 on rear wall of Chest CH-153, at left, with hardware provided.

Junction Box TM-188, Cordage CO-131, Cords CD-359 and CD-422 (items 24, 38, 33, and 35, fig. 6) (items 29, 46, 41, and 43, fig. 7).

Refer to figure 6 or 7 and remove required knock-outs. Install connector and bondnut in proper knock-out hole in Junction Box TM-188 for Cordage CO-131. Secure connectors attached to Cords CD-359 and CD-422, in proper holes in junction box. Connect wires of cords to numbered studs on terminal block as shown in figure 6 or 7. Secure junction box on under side of top of Chest CH-153 with hardware provided. Fasten cover over junction box.

<i>Part and location</i>	<i>Method and materials</i>
Chest CH-153 (item 18, fig. 6) (item 21, fig. 7), on floor of cargo compartment, at front.	Locate chest in position. Place spacers underneath chest as shown in figure 6 or 7. Secure chest to floor and to front panel of vehicle body with hardware provided. Secure terminal of ground lead to rear panel of Chest CH-153 and apply toothed lock-washers as shown in view A of figure 6 or 7.
Dynamotor Unit BD-77-() and Cover BG-79-A (items 8 and 23, fig. 6) (items 11 and 26, fig. 7).	Place dynamotor unit on Mounting FT-107 and secure with snap slide fasteners on base of dynamotor unit. Place Cover BG-79-() over dynamotor unit.
Radio Receiver BC-312-() and Cover BG-75-A (items 2 and 21, fig. 6) (items 2 and 24, fig. 7).	Remove receiver from its cabinet. Drill right end of cabinet for Mounting FT-178 as shown in figure 25. Place Cover BG-75-A over cabinet and punch holes in cover to match those drilled in cabinet. Place small angle bracket (part of Mounting FT-178) over holes in cover and secure to cabinet with hardware provided as shown in figure 26. Replace receiver in case, place receiver on Mounting FT-162, and secure with snap slide fasteners on receiver cabinet. Couple Mounting FT-178 with wingnuts provided. Connect 6-inch ground wire attached to Mounting FT-162 to GND binding post on receiver.
Radio Transmitter BC-191-() and Cover BG-78-A (items 1 and 22, fig. 6) (items 1 and 25, fig. 7).	Remove antenna terminal strip from Radio Transmitter BC-191-() and patch cover on top of transmitter. Install patch cover in original location of terminal strip. Remove tube access cover from front panel of transmitter and remove vacuum tubes. Place Cover BG-78-A over transmitter. Drill holes for Mounting FT-172 through cover and top of transmitter as shown in figure 27. Cut slot in top of cover to admit jacks on antenna terminal strip, punch holes for mounting screws, and mount antenna terminal strip on top of transmitter. Secure angle bracket of Mounting FT-172 to top of transmitter, assembling as shown in figure 26. This method will give access to output terminals and will prevent water from entering through top of cover. Replace tubes and access cover and place Radio Transmitter BC-191-() on Mounting FT-151(), secure with snap slide fasteners provided, and couple Mounting FT-172 with wingnuts provided.
Mast Base Bracket MP-50, Reinforcing Plate FT-429 (fig. 15), and Brush Guard FT-422 (items 10, 48 and 49, fig. 6) (items 13, 56, and 57, fig. 7).	Secure Mast Base Bracket MP-50 on right side panel of vehicle, at front, with hardware provided. Use reinforcing plates on inner side of panel as shown in view of battery compartment (fig. 6 or 7). Fasten brush guard to forward side of mast base bracket and to panel as shown.

<i>Part and location</i>	<i>Method and materials</i>
Insulators IN-101, IN-104, and IN-121, and rubber washers (items 30, 31, 29, and 72, fig. 6) (items 36, 37, 35, and 81, fig. 7).	Place a rubber washer over each Insulator IN-101 and IN-121. Refer to figure 6 or 7. Install one Insulator IN-121 in hole through mast base bracket and outer left side panel of vehicle, and one Insulator IN-121 in hole through left end panel of Chest CH-153. Install one Insulator IN-101 in hole through inside panel of battery compartment. Install Insulator IN-104 as shown in detail of battery compartment on figure 6 or 7.
Loudspeaker LS-3, bracket (fig. 20), (items 19 and 47, fig. 6) (items 22 and 55, fig. 7) and Cover CW-41/U.	Remove screws securing front panel of Loudspeaker LS-3 to its case. Place Cover CW-41/U on front panel of loudspeaker and secure with original screws. Secure loudspeaker to bracket (fig. 20) with screws provided on back of loudspeaker. Secure bracket to cover of left front stowage compartment. Connect loudspeaker to speaker jack on Radio Receiver BC-312-() with Cord CD-267.
Mast Base MP-65 (item 11, fig. 6) (item 14, fig. 7).	Refer to figure 19. Disassemble mast base by holding body of mast base, item 2, and turning bolt, item 10, with a 9/16-inch open-end wrench. Assemble mast base on Mast Base Bracket MP-50 as follows: Place upper insulator, item 4 (with neoprene washer, item 5, cemented to it), over hole in bracket. Place phenolic washer, item 3, over insulator, item 4. Place body of mast base, item 2, through items 4 and 5. Place lockwasher, item 9, plain washer, item 8, and phenolic washer, item 7, over bolt and binding post assembly, item 10. Screw threaded portion of item 10 into body, item 2, from underneath. Tighten assembly carefully with 9/16-inch open-end wrench. Do not apply too much pressure or mast base may be damaged. For assembly of Mast Base MP-37 or MP-57, refer to figure 17.
Mast Sections MS-116, MS-117, and MS-118; or Mast Sections MS-49 through MS-53, and Clamps MC-421 through MC-424 (items 13 through 17, fig. 6) (items 16 through 20, fig. 7) and Roll BG-56-().	Screw mast sections together and tape joints to prevent loss of sections. If Mast Sections MS-49 through MS-53 are used, secure joints with Clamps MC-421 through MC-424. When mast sections are removed, stow them in Roll BG-56-() and stow Roll BG-56-() in a convenient place in vehicle.
Bracket (fig. 18) and Antenna A-27, phantom (items 46 and 26, fig. 6) (items 54 and 31, fig. 7), on right front stowage compartment.	Fasten bracket to Antenna A-27 and place antenna on right front stowage compartment.

b. CORDING AND WIRING. Make connections to antenna terminal block on top of Radio

Transmitter BC-191() as follows: Connect the 2-inch prepared end of the ground wire to GND and CPSE terminals. Make certain that terminals marked A and B are connected by a short connecting link. Connect the antenna lead to the ANT terminal and to the binding post on bottom of Mast Base MP-65, routing the lead

through insulators as shown in figures 6 and 7. Connect the terminal marked REC to the antenna binding post on Radio Receiver BC-312- () with a 46-inch length of Wire W-128. Route and connect all other cords as shown in the applicable installation drawing.

Note: Refer to figure 3 for installation of Radio Set SCR-193-U in combination with Facsimile Equipment RC-58-(). Refer to figures 4 and 5 for installation of Radio Set SCR-193-U in combination with Radio Set SCR-510-() and Facsimile Equipment RC-58-().

Refer to figure 7 for installation of Radio Set SCR-193-U in combination with Radio Set SCR-510-(). Installation of Radio Set SCR-193-U in any of the above combinations is identical with the installation of Radio Set SCR-193-U alone.

SECTION V

RADIO SET SCR-284-() IN 12-VOLT VEHICLE

12. Required Parts

Items necessary for installation of Radio Set SCR-284-() in Truck, 3/4-ton, 4x4, Weapon Carrier (12-volt) are listed below:

Quantity	Stock No.	Item
1	2Z502A	Bag BG-102-(), for spare parts, batteries, headsets, etc.
1	2Z529	Bag BG-129, for Power Unit PE-103-().
1	2Z1131A	Box BX-31-(), for spare tubes and vibrators.
3	2Z1250	Bracket, for Frame FM-41.
1	2Z1203-422	Bracket FT-422, for Mast Base MP-50.
*3	4B417-4	Chest Set TD-4.
2	2Z2651-421 through -424	Clamp MC-421 to Clamp MC-424, inclusive.
2	6Z3147	Connector No. 61007 and Bondnut BL-50.
1	3Z1501A	Cord CD-501-(), connecting Radio Receiver and Transmitter BC-654-() to power supply.
1	3E1318	Cord CD-318, for Microphone T-45.
1	2Z3367	Cover BG-67-(), for Mast Base MP-57.
1	2Z3400-129	Cover BG-129, for Power Unit PE-103-().
1	2Z3400-154	Cover BG-154, for Radio Receiver and Transmitter BC-654-().
1	2Z4641	Frame FM-41, mounting for Radio Set SCR-284-().
1	6L50-284V36	Hardware bag.
*3	2B800-L6	Headset H-16/U.
1	3G586	Insulator IN-86, for tying down mast sections.
1	3G601	Insulator IN-101.
2	3G604	Insulator IN-104.
1	3G621	Insulator IN-121.
1	3Z3345	Key J-45.
1	3Z3448	Key J-48-().
1	2Z6310-7	Loudspeaker LS-7.
1	2A2087	Mast Base MP-37 or MP-57.
2	2A2088-57	
	2A2349 through 2A2353	Mast Sections MS-49 through MS-53.
*2	2B1645	Microphone T-45.
1	3H4600-104	Power Converter Unit PE-104-().
1	3H4600-103	Power Unit PE-103-().
1	2C5374	Radio Receiver-Transmitter BC-654-(), including Crystal Unit DC-24-().
2	2Z1203-429	Reinforcing Plate FT-429 (fig. 15).
1	2Z8058	Roll BG-58, for mast sections and generator legs.
15 ft	6Z7926	Rope RP-5, for tying down mast sections.
4	6Z5093	Strap holder.
2	6D13051	TM 11-275, for Radio Set SCR-284-().
10 ft	1B142	Wire W-142, for antenna and ground leads.

*When Headset H-16/U, Microphone T-45, and Chest Set TD-4 are not available, issue Headset HS-30-(), Microphone T-17, Cord CD-307-A, and Cord CD-604.

13. Assembly and Installation

Location and Assembly of Components. Components of Radio Set SCR-284-() should be installed in truck, 3/4-ton, 4x4, Weapon Carrier (12-volt) as shown in figure 8 and as directed below:

*Part and location**Method and materials*

Frame FM-41, strap holders, and brackets (items 11, 24, and 20, fig. 8), on floor of vehicle.

Refer to figure 8. Using hardware provided, attach two strap holders on forward side of front body panel and two strap holders on floor of vehicle as shown in figure 8. Place Frame FM-41 in position and secure to floor of vehicle with three brackets and hardware provided. Snub Frame FM-41 to strap holders with straps provided.

Power Unit PE-103-() (item 2, fig. 8), on base of Frame FM-41.

Open spring cover in base of Power Unit PE-103-() and set slotted voltage adjustment for 12-VOLT OPERATION as marked. Set three circuit breakers to ON position. Place power unit on base of Frame FM-41 and secure with wingnuts provided.

Power Converter Unit PE-104-() (item 3, fig. 8), in Radio Receiver-Transmitter BC-654-().

If power converter unit is supplied uninstalled, slide to position in battery compartment of Radio Receiver-Transmitter BC-654-(). If Power Converter PE-104-() is supplied installed, open small door of power supply compartment of radio receiver-transmitter, pull out plug, slide power converter forward, and set voltage switch for 12-VOLT OPERATION.

Radio Receiver and Transmitter BC-654-() (item 1, fig. 8) on Frame FM-41.

Place radio receiver and transmitter on frame and secure in place with hook fasteners provided. Secure snubbing strap to loop on top of receiver-transmitter and to slot in top of Frame FM-41.

Mast Base Bracket MP-50, Bracket FT-422, and Insulator IN-121 (items 5, 19, and 22, fig. 8), on right side of vehicle.

Relocate mast base bracket on right side of vehicle as shown on battery compartment view in figure 8. Attach Bracket FT-422 to mast base bracket and side of vehicle with hardware provided. Install Insulator IN-121 in hole through mast base bracket and vehicle.

Mast Base MP-57 or MP-37 (item 4, fig. 8), on Mast Base Bracket MP-50.

Refer to figure 17. Disassemble Mast Base MP-37 or MP-57 by first removing nuts and lockwasher, items 9 and 10, then removing mast base, item 4, from remaining components. Locate mast base in hole in Mast Base Bracket MP-50, and install through hole by assembling washers and insulator sections as follows: Place large fiber washer, item 1, over hole. Place large insulator sections, item 2, over item 1. Place fiber washer, item 3, over item 2. Insert mast base, item 4, through hole. Place small fiber washer, item 5, over flange of small insulator section, item 6. Insert insulator, item 6, upward through hole, from underneath mast base bracket. Place washers, items 7 and 8, beneath item 6 and fasten entire assembly in place with nuts, items 9, and lockwasher, item 10.

<i>Part and location</i>	<i>Method and materials</i>
Mast Sections MS-49 through MS-53 (items 6 through 10, fig. 8) and Clamps MC-421 through MC-424, on Mast Base MP-57 or MP-37.	Screw mast sections together and after placing clamps over joints, screw into mast base. When mast sections are not in use, stow in Roll BG-58.
Roll BG-58.	Disposition left to discretion of using arms.
Insulators IN-101 and IN-104 (items 23 and 21, fig. 8).	Install insulators as shown on forward view of cargo compartment in figure 8.
Cord CD-501-() (item 16, fig. 8).	Connect to proper receptacles on Radio Receiver-Transmitter BC-654-() and Power Unit PE-103-().
Two connectors No. 61007 and two Bondnuts BL-50 (items 41 and 42, fig. 8).	Install through knock-out holes in vehicle terminal box to secure power cords from Power Unit PE-103-().
Wire W-142 and terminal (items 17, 18 and 39, fig. 8).	Cut a 56- and a 26-inch length of Wire W-142. Strip and solder-tin $\frac{1}{2}$ inch of each end. Solder terminal provided to end of 26-inch length, and secure terminal by means of a screw securing strap holder on front body panel of vehicle. Use shakeproof lock-washers provided between terminal lug and body panel, as shown in figure 8. Connect other end of 26-inch to ground binding post on Radio Receiver-Transmitter BC-654-(). Route 56-inch length of wire through insulators IN-101, IN-104, and IN-121, and connect to antenna binding post on radio receiver-transmitter.
Cover BG-154 (item 14, fig. 8).	Place over Radio Receiver and Transmitter BC-654-().
Cover BG-129 (item 15, fig. 8).	Place over Power Unit PE-103-().
Cover BG-67-() (item 13, fig. 8).	Place over mast base when mast sections are not in use.
Key J-48 (item 12, fig. 8).	When vehicle is in motion, Key J-45 is used instead of Key J-48-().

SECTION VI

RADIO SET SCR-506-()

14. Required Parts

Items necessary for installation of Radio Set

SCR-506-() in Truck, 3/4-ton, 4x4, Weapon Carrier (12-volt) are listed below:

Quantity	Stock No.	Item
1	2A275-27	Antenna A-27, phantom.
1	2A224A	Antenna AN-24-A, auxiliary.
^a 1		Bracket (fig. 20), for Loudspeaker LS-3.
1	2Z1250.82	Bracket (fig. 18), for phantom antenna.
1	2Z2599-263	Chest CH-263, for spare parts.
^b 3	4B417-4	Chest Set TD-4.
2	6Z3147	Connector No. 61007 and Bondnut BL-50.
1	3E1314	Cord CD-314, for Loudspeaker LS-3.
1	3E1318	Cord CD-318, for Microphone T-45.
1	6C18-41	Cover CW-41/U, for Loudspeaker LS-3.
1	2Z3400-103	Cover BG-103, for radio set.
1	3H1640	Dynamotor DM-40(), 12-volt, for Radio Receiver BC-652-(), including attached spare parts.
1	3H1642	Dynamotor DM-42-(), 12-volt, for Radio Transmitter BC-653-(), including attached spare parts.
^c 1		Guy set in Bag BG-125.
1	6L50-506V36	Hardware bag.
^b 3	2B800-16	Headset H-16/U.
1	2A224/1	Instructions, installation of auxiliary Antenna AN-24-A.
3	3G586	Insulator IN-86, two for auxiliary antenna, one for tying down mast sections.
1	3G601	Insulator IN-101.
3	3G604	Insulator IN-104.
1	3G621	Insulator IN-121.
2	3Z3445	Key J-45.
1	2Z6303	Loudspeaker LS-3.
^d 1	2A2090-50	Mast Base Bracket MP-50.
^e 9	2A2416	Mast Section MS-116.
^e 2	2A2417	Mast Section MS-117.
^e 2	2A2418	Mast Section MS-118.
^e 1	2A2088-65	Mast Base MP-65.
^b 2	2B1645	Microphone T-45.
1	2Z6721-253	Mounting FT-253-(), including two Cords CO-280, spare parts, fuses, hardware, etc.
1	2C4452	Radio Receiver BC-652-(), including spare parts, crystal unit, and set of tubes installed.
1	2C6530-653	Radio Transmitter BC-653-(), including spare parts, and set of tubes installed.
1	2Z8056	Roll BG-56-(), for mast sections.
50 ft	6Z7926	Rope RP-5, for auxiliary antenna and tying down mast sections.
2	6D13136	TM 11-630, for Radio Set SCR-506-().
15 ft	1B146	Wire W-146, including quantity for one spare lead-in.

^aRequired only when Radio Set SCR-506-() is installed in combination with Radio Set SCR-510-() or Facsimile Equipment RC-58-(), or both.

^bWhen Headset H-16/U, Microphone T-45, and Chest Set TD-4 are not available, use Headset HS-30-(), Microphone T-17, Cord CD-307-A, and Cord CD-604.

^cFor use with Mast Sections MS-116, MS-117 and MS-118, the guy set shall consist of: Guy GY-42; Guy GY-12; four Stakes GP-27; Bag BG-125; Reel RL-29. With Mast Sections MS-49 through MS-

53, Guy Set GY-40, including three Mast Sections MS-54, shall be used.

^dWhen Radio Set SCR-506-() is not installed in combination with other radio sets, Mast Base Bracket MP-50 may be deleted, since one Mast Base Bracket MP-50 is supplied with the vehicle.

^eMast Base MP-57 or MP-37 with Cover BG-67-() and Mast Sections MS-49 through MS-53 with Clamps MC-421 through MS-424, may be substituted for Mast Base MP-65 and Mast Sections MS-116, MS-117 and MS-118.

15. Assembly and Installation

Components of Radio Set SCR-506-() should be installed in Truck, 3/4-ton, 4x4, Weapon Car-

rier (12-volt) as shown in figure 9 and as directed below:

*Part and location**Method and materials*

Mast Base Bracket MP-50 (item 20, fig. 9), on right rear of vehicle.

When Radio Set SCR-506-() is installed alone, remove mast base bracket from left rear as shown in figure 9. When Radio Set SCR-506-() is installed in combination with Radio Set SCR-510-(), an additional Mast Base Bracket MP-50 must be installed on right rear of vehicle for Radio Set SCR-506-() as shown in figure 2.

Mounting FT-253-() (item 5, fig. 9), on right seat in cargo compartment.

Attach power supply cords to proper terminals on terminal strip on Mounting FT-253-(). Locate mounting in position, using spacer plates underneath, and secure with hardware provided as shown in figure 9. Secure provided bonding jumpers to each end of Mounting FT-253-() and to right side panel of vehicle with hardware provided, as shown on view of bonding application in figure 9. Route power cords to terminal box located in right front compartment and install connectors and bondnuts in knock-out holes in terminal box for cords. Secure cords to right body panel with clamps provided.

Dynamotor DM-40-() (item 3, fig. 9), on top of Radio Receiver BC-652-() chassis.

If Dynamotor DM-40-() is supplied uninstalled, proceed as follows: Remove screws around edge of receiver panel and the screw in rear center of its case. Pull receiver chassis from case, and secure dynamotor into place provided with snap slide fasteners. Insert plug in which dynamotor lead terminates into a socket on receiver chassis. Installation of proper dynamotor automatically adjusts receiver circuit for correct operating voltage. Voltage indicating plate on front panel of receiver should be turned to read 12-VOLT OPERATION.

Dynamotor DM-42-() (item 4, fig. 9) lower right-hand side of Radio Transmitter BC-653-().

If Dynamotor DM-42-() is supplied uninstalled, slide it into dynamotor compartment and secure front panel of dynamotor chassis with screws provided. Remove patch cover plate located on top of Radio Transmitter BC-653-(), right end, and connect six connector links for 12-VOLT OPERATION as indicated by arrow on link terminal strip. Nameplate on dynamotor panel should read 12 VOLTS.

Radio Receiver BC-652-() (item 2, fig. 9), on Mounting FT-253-().

Place on mounting as shown in figure 9, and secure in place with wingnuts provided.

Radio Transmitter BC-653() (item 1, fig. 9), on Mounting FT-253-().

Place on mounting as shown in figure 9, and secure in place with wingnuts provided.

<i>Part and location</i>	<i>Method and materials</i>
Mast Base MP-65 (item 6, fig. 9) or Mast Base MP-57 or MP-37, on Mast Base Bracket MP-50.	Refer to figure 19. Disassemble mast base by holding body of mast base, item 2, and turning bolt, item 10, with a 9/16-inch open-end wrench. Assemble mast base on Mast Base Bracket MP-50 as follows: Place upper insulator, item 4, over hole in bracket. Place phenolic washer, item 3, over insulator, item 4. Place body of mast base, item 2, through items 3 and 4. Place lockwasher, item 9; plain washer, item 8; and phenolic washer, item 7; over bolt and binding post assembly, item 10. Place lower insulator, item 6, over item 10. Screw threaded portion of item 10 into body, item 2, from underneath. Tighten assembly carefully with 9/16-inch open-end wrench. Do not apply excessive pressure, as it will damage mast base. For assembly of Mast Base MP-37 or MP-57, see figure 17.
Insulators IN-101, IN-104, and IN-121, and rubber washers (items 24, 25, 23, and 38, fig. 9).	Place one rubber washer over each Insulator IN-101 and IN-121. Install one Insulator IN-104 on right front edge of Radio Transmitter BC-653-() and remaining insulators in right rear stowage compartment as shown in figure 9.
Loudspeaker LS-3 and Cover CW-41/U (items 14 and 41, fig. 9), and bracket (fig. 20), on front body panel.	Remove screws securing front panel of Loudspeaker LS-3 to its case. Place Cover CW-41/U over front panel and secure by replacing original screws. When installation is made as shown in figure 9, secure Loudspeaker LS-3 to front body panel, using screws provided on back of loudspeaker. When installation is made as shown in figure 1 or 2, secure Loudspeaker LS-3 to bracket (fig. 20). Secure this bracket to floor of vehicle.
Cord CD-314 (item 16, fig. 9), on front panel of Radio Receiver BC-652-().	Connect into properly designated jack on panel of receiver.
Antenna A-27, phantom, and bracket (fig. 18) (items 18 and 19, fig. 9), on front body panel.	Secure bracket (fig. 18) to front body panel of vehicle as shown in figure 9. Place Antenna A-27 in bracket and secure with wingnuts provided.
Wire W-146 (item 17, fig. 9).	Cut a 65-inch length of Wire W-146. Strip and solder-tin 1 inch of each end. Connect one end to antenna binding post on Radio Transmitter BC-653-(). Route wire through insulator on right front of transmitter and through insulators in right rear stowage compartment. Connect to binding post on bottom of Mast Base MP-65.

Part and location

Method and materials

Mast Sections MS-116, MS-117, and MS-118, or Mast Sections MS-49 through MS-53 and Clamps MC-421 through MC-424 (items 9 through 13, fig. 9), on Mast Base MP-65.

Screw mast sections together and cover joints with friction tape to prevent loss of sections. Screw assembled mast sections into Mast Base MP-65. When mast sections are removed stow them in Roll BG-56-(). When using Mast Sections MS-49 through MS-53, secure joints with Clamps MC-421 through MC-424.

Chest CH-263.

For spare tubes, parts, headsets, etc., refer to layout of contents chart on chest. Stow chest in convenient place in vehicle.

Note: Refer to figure 1 when Radio Set SCR-506-() is installed in combination with Facsimile Equipment RC-58-(). Refer to figure 2 when Radio Set SCR-506-() is installed in combination with Radio Set

SCR-510-() and Facsimile Equipment RC-58-(). When the above combinations are used, the installation procedures are identical with procedure when Radio Set SCR-506-() is installed alone.

SECTION VII

RADIO SET SCR-508-(), SCR-528-(), SCR-608-(), OR SCR-628-()

16. Required Parts

Items necessary for installation of Radio Set SCR-628-() in Truck, 3/4-ton, 4x4, Weapon Carrier (12-volt) are listed below:

Radio Set SCR-508-() or SCR-528-()	Quantity Radio Set SCR-608-() or SCR-628-()	Stock No.	Item
1	0	2A262	Antenna A-62, phantom.
0	1	2A283	Antenna A-83, phantom.
0	1	2Z1140	Box BX-40, for crystals.
8 ft	8 ft	1F562	Cable WC-562, coaxial.
0	1	6F796	Chest CH-96-(), for spare parts.
1	0	2Z2599-264	Chest CH-264, for spare parts.
^a 3	^a 3	4B417-4	Chest Set TD-4.
1	1	6Z3147	Connector No. 61007 and Bondnut BL-50.
1	1	3E1318	Cord CD-318-(), for Microphone T-45.
1	1	2Z3396	Cover BG-96, for radio set.
^a 2	^a 2	3H1634	Dynamotor DM-34-(), for Radio Receiver BC-603-() or BC-683-().
1	1	341635	Dynamotor DM-35-(), for Radio Transmitter BC-604-() or BC-684-().
1	1	6L50-508V36	Hardware bag.
^a 3	^a 3	2B800-16	Headset H-16/U.
2	2	3G601	Insulator IN-101.
2	2	3G621	Insulator IN-121.
^b 1	^b 1	2A2081-15	Mast Base AB-15/GR.
^c 2 ea	^c 2 ea	2A2416 to 2A2418, incl.	Mast Sections MS-116, MS-117, and MS-118.
2	2	2B1567	Microphone Cover M-367.
^d 2	^d 2	2B1645	Microphone T-45.
1	1	2Z6721-237	Mounting FT-237-(), including Cord CO-278, necessary hardware, and spare fuses.
^a 2	0	2C4403	Radio Receiver BC-603-(), including set of tubes installed, spare fuses, and lamps.
0	^a 2	2C4460-683	Radio Receiver BC-683-(), including set of tubes installed, spare fuses, and lamps.
1	0	2C6494	Radio Transmitter BC-604-(), including set of tubes installed, spare fuses, and lamps.
0	1	2C6530-684	Radio Transmitter BC-684-(), including set of tubes installed, spare fuses, and lamps.
1	1	2Z8056	Roll BG-56-().
2	0	6D13113	TM 11-600, for Radio Sets SCR-508-() and SCR-528-().
0	2	6D13102	TM 11-620, for Radio Sets SCR-608-() and SCR-628-().

^aOnly one Dynamotor DM-34-() and one Radio Receiver BC-603-() are required for Radio Set SCR-528-(). Only one Dynamotor DM-34-() and one Radio Receiver BC-683-() are required for Radio Set SCR-628-().

^bMast Base MP-48 or MP-48-A, with Cover BG-108, may replace Mast Base AB-15/GR. When Mast Base MP-48-A is supplied Cord CD-689 is required.

^cWhen Mast Base MP-48 or MP-48-A is supplied, two each Mast Sections MS-51, MS-52, and MS-53, with two each Clamps MC-423 and MC-424, shall replace Mast Sections MS-116, MS-117, and MS-118.

^dWhen Headset H-16/U, Microphone T-45, and Chest Set TD-4 are not available, use Headset HS-30-(), Microphone T-17, Cords CD-307-A, CD-318, and CD-604.

17. Assembly and Installation

Components of Radio Set SCR-508-(), SCR-528-(), SCR-608-(), or SCR-628-()

should be installed in Truck, 3/4-ton, 4x4, Weapon Carrier (12-volt) as shown in figure 10 and as directed below:

<i>Part and location</i>	<i>Method and materials</i>
Mounting FT-237-() and bonding jumpers (items 7 and 43, fig. 10), on left side of cargo compartment.	Locate Mounting FT-237-() in position and secure with hardware provided. Bond Mounting FT-237-() at each end to left side panel of vehicle with bonding jumpers and hardware provided, as shown in view of binding application in figure 10. Route Cord CO-278 (item 16) to vehicle terminal box. Use Connector No. 61007 and Bondnut BL-50 through knock-out hole in terminal box, and secure cord with clamps as shown in figure 10.
Mast Base Bracket MP-50 (item 14, fig. 10).	Mast Base Bracket MP-50 is supplied with vehicle by manufacturer. If not already installed, refer to figure 10 and install mast base bracket in position shown. Place an I.E.T. lockwasher beneath head of each mounting bolt and another I.E.T. lockwasher beneath each hex nut, to provide ground contact between mast base bracket and vehicle.
Insulators IN-101 and IN-121, and rubber washers (items 24, 23, and 42, fig. 10).	Place a rubber washer over flange of each Insulator IN-101 and IN-121. Install Insulator IN-101 in hole through wall of left stowage compartment. Install Insulator IN-121 in hole through mast base bracket and rear end panel of vehicle as shown in figure 10.
Antenna A-62, phantom, for Radio Set SCR-508-() or SCR-528-(), and bracket (fig. 21) (items 15 and 20, fig. 10), on left front of Mounting FT-237-().	Install Antenna A-62 as shown in position 3 of figure 22. Remove and discard two No. 10 screws from front of Mounting FT-237-() at left end. Secure antenna to bracket with four No. 6—32 x 3/8-inch screws supplied on Antenna A-62. Secure bracket to front of mounting at left end with two No. 10—32 x 5/8-inch screws supplied, using holes for discarded No. 10 screws. When using Antenna A-62 for aligning Radio Transmitter BC-604-(), disconnect antenna lead-in wire from Mounting FT-237-() and connect Antenna A-62 to TR binding post with 20-inch length of Wire W-128 supplied.
Antenna A-83, phantom, for Radio Set SCR-608-() or SCR-628-(), and bracket (fig. 21) (items 45 and 20, fig. 10), on lower left front corner of mounting FT-237-().	Remove No. 10—32 x 3/8-inch roundhead machine screw from lower left front corner of Mounting FT-237-(). Secure bracket of Antenna A-83 to front of mounting with same screw using original tapped hole. When using Antenna A-83 to align Radio Transmitter BC-684-(), remove antenna lead-in from TR binding on Mounting FT-237-() and connect flexible lead from Antenna A-83 to TR binding post. When Antenna A-83 is not in use, make sure that the flexible lead does not come in contact with TR binding post.

Part and location

Method and materials

Dynamotor DM-34-() and Radio Receiver BC-603-() (for Radio Set SCR-508-() or SCR-528-()), or Radio Receiver BC-683-() (for Radio Set SCR-608-() or SCR-628-()) (items 6 and 2 or 4, fig. 10), on Mounting FT-237-().

If Dynamotor DM-34-() is not already installed in radio receiver, remove case from receiver by loosening screw lock in rear center of case. Plug dynamotor into receptacle on top of chassis and tighten screws in its base. Place radio receiver on Mounting FT-237-() and secure with thumbscrew locks provided.

Dynamotor DM-35-() and Radio Transmitter BC-604-() (for Radio Set SCR-508-() or SCR-528-()), or Radio Transmitter BC-684-() (for Radio Set SCR-608-() or SCR-628-()) (items 5 and 1 or 3, fig. 10), on Mounting FT-237-().

If Dynamotor DM-35-() is not already installed in radio transmitter, loosen two screw locks on front panel and pull out crystal case. Loosen four screw locks holding cover on top of transmitter and remove cover. Plug dynamotor unit into receptacle on top of chassis and tighten screws in its base. Replace cover and crystal case. Place transmitter on Mounting FT-237-() and secure with provided thumbscrew locking devices.

Cable WC-562 (item 19, fig. 10).

Cut an 8-foot length of Cable WC-562. Prepare one end of cable as shown in figure 23, assembling Plug PL-259, item 16, on cable as shown in drawing detail. Prepare other end of cable for connection to Mounting FT-237-(). Route cable as shown in figure 10, and secure excess cordage in stowage compartment with clamps as shown. Connect Cable WC-562 to Mounting FT-237-(), using clamp No. 1 (fig. 14). Make certain that clamp makes firm contact with shield of cable.

Mast Base AB-15/GR (item 8, fig. 10), on Mast Base Bracket MP-50.

Locate Mast Base AB-15/GR as shown in figure 10. Refer to figure 23. Hold lower insulator, item 7, by hand. Turn body of mast base, item 2, counterclockwise until item 7 with adapter assembly, items 8 and 9 attached, is separated from item 2. Remove binding post from adapter, item 9, by turning knurled sleeve counterclockwise. Place upper insulator, item 5 (with neoprene washer, item 6, cemented to it), over hole in Mast Base Bracket MP-50. Place small neoprene washer, item 4, over item 5 and place plain washer, item 3, over item 4. Insert body of mast base, item 2, through items 3, 4, 5, and 6. Place large internal toothed lockwasher, item 14, over lower insulator, item 7. Insert bolt item 8 (attached to item 7) into bottom of item 2, from underneath. Turn item 2 clockwise until threads on items 9 and 2 are fully engaged. Place a $\frac{3}{4}$ -inch open-end wrench on hexagonal portion of item 2 and tighten mast base carefully. Apply enough pressure so that lockwasher, item 14, will make good contact, but not enough pressure to

Part and location

Method and materials

damage mast base. Connect Cable WC-562 to mast base as follows: Place hose clamp, item 15, over end of cable. Secure Plug PL-259, item 16, on cable to adapter, item 9, on bottom of mast base. Secure hose clamp, item 15, to Plug PL-259, item 16. Refer to figure 16 for Mast Base MP-48 or MP-48-A.

Mast Sections MS-116, MS-117, and MS-118, or MS-51, MS-52, MS-53, and Clamps MC-423 and MC-424 (items 11, 12, 13, fig. 10).

Screw mast sections together and tape joints to prevent loss of sections. Screw assembled mast sections into Mast Base AB-15/GR. When mast sections are removed, stow them in Roll BG-56-(). When Mast Sections MS-51, MS-52, and MS-53 are used with Mast Base MP-48 or MP-48-A, place Clamps MC-423 and MC-424 on joints.

Chest CH-264 (for Radio Set SCR-508-() or SCR-528-()).

When used with Radio Set SCR-528-(), place chest, on Mounting FT-237-(), in space provided for second radio receiver. When used with Radio Set SCR-508-(), place chest in one of vehicle storage compartments or in any convenient place. Stow headsets, spare tubes, and spare parts in Chest CH-264. Refer to chart supplied on chest for location of items.

Box BX-40 and Chest CH-96 (for Radio Set SCR-608-() or SCR-628-()).

Stow headsets, spare tubes, and spare parts in Chest CH-96. Stow 40 crystal units in Box BX-40. Stow Chest CH-96 and Box BX-40 in any convenient place in vehicle.

SECTION VIII

RADIO SET SCR-510-() OR SCR-610-() IN 12-VOLT VEHICLE

18. Required Parts

Items necessary for installation of Radio Set SCR-510-() or SCR-610-() in Truck, 3/4-ton, 4x4, Weapon Carrier (12-volt) are listed below:

Radio Set SCR-510-()	Quantity Radio Set SCR-610-()	Stock No.	Item
1	1	6Q349	Alignment Tool TL-207 or TL-150.
		6Q338-150	
1	0	2A245	Antenna AN-45-().
2	1	3A41	Battery BA-41.
^a 4	^a 4		Bushing, for Cord CG-67/MRQ-2.
1	1	2Z1890-137	Case CS-137, for crystals.
1	1	6Z3147	Connector No. 61007 and Bondnut BL-50.
1	1	1F430-67.9	Cord CG-67/MRQ-2, 9 ft long.
1	1	3E1604	Cord CD-604, 6 in. long, for Headset HS-30-().
1	1	3E1307-5.5	Cord CD-307-A, 65 in. long, for Headset HS-30-().
1	1	3E1318	Cord CD-318, for Microphone T-45.
1	1	2Z3400-153	Cover BG-153, for radio set.
1	1		Fitting, for Rope RP-5.
1	1	6L50-510V36	Hardware bag.
1	1	2B830	Headset HS-30-().
1	1	3G601	Insulator IN-101.
1	1	3G621	Insulator IN-121.
^b 1	^b 1	2A20B1-15	Mast Base AB-15/GR.
^b 2	^b 2	2A2416 to 2A2418, incl.	Mast Section MS-116 through MS-118.
1	1	2B1645	Microphone T-45.
1	1	2Z6721-250	Mounting FT-250-().
^c 2	^c 2	2Z6721-449	Mounting Bracket FT-449.
^d 1	^d 1	3H4496-120	Power Supply Unit PE-120-(), including tubes, fuses, and regulator.
1	0	2G5360	Radio Receiver and Transmitter BC-620-(), including 80 Crystal Units CR-6-()/U and set of tubes installed.
0	1	2C6659	Radio Receiver and Transmitter BC-659-(), including 120 Crystal Units CR-6-()/U and set of tubes installed.
1	1	2Z8056	Roll BG-56, for mast sections.
15 ft	15 ft	6Z7926	Rope RP-5.
1	0	2Z9299-206	Terminal Box TM-206.
^e 0	^e 1	2Z9299-218	Terminal Box TM-218.
2	0	6D13038	TM 11-605, for Radio Set SCR-510-().
0	2	6D13037	TM 11-615, for Radio Set SCR-610-().
2	1	3H6713	Vibrator VB-13-(), for Power Unit PE-120-().
27 ft	27 ft	1B29	Wire W-29.

^aWhen bushing is not available, one Insulator IN-101 and three Insulators IN-121 shall be used.

^bMast Base MP-48 or MP-48-A and Mast Sections MS-51 through MS-53 may be substituted for Mast Base AB-15/GR and Mast Sections MS-116 through MS-118. In this case, Clamps MC-423, MC-424, Cover BG-108, and Cord CD-689 are required.

^cRequired only when Radio Set SCR-510-() or SCR-610-() is installed alone, or when Radio Set SCR-510-() is installed in combination with Radio Set SCR-506-() and Facsimile Equipment RC-

58-().

^dPlate Supply Unit PE-97-() may replace Power Supply Unit PE-120-() for Radio Set SCR-510-(). Plate Supply Unit PE-117-() may replace Power Supply Unit PE-120-() for Radio Set SCR-610-(). In either case, Vibrator VB-13-() is not required.

^eWhen Mast Base MP-48 or MP-48-A is used, Terminal Boxes TM-210-A and TM-211-A must be supplied for Radio Set SCR-610-().

19. Assembly and Installation

a. INSTALLATION OF RADIO SET SCR-510-() OR 610-(). Components of Radio Set SCR-

510-() or SCR-610-() should be installed in Truck, 3/4-ton, 4x4, Weapon Carrier (12-volt) as shown in figure 11 and as directed below:

<i>Part and location</i>	<i>Method and materials</i>
Mounting Bracket FT-449 (item 22, fig. 11), on floor and to wall of stowage compartment.	Secure mounting brackets to floor of vehicle and to inside wall of left front stowage compartment with hardware provided, as shown in figure 11.
Mounting FT-250-() (item 3, fig. 11) on two Mounting Brackets FT-449.	Secure on two Mounting Brackets FT-449 with hardware provided.
Power Supply Unit PE-120-() and Vibrator VB-13-() (item 2, fig. 11), on Mounting FT-250-().	Open Case of Power Supply Unit PE-120-() and remove chassis cover. Install Vibrator VB-13-() in its socket. Make certain that connector link is in BC-620 position (BC-659 position for Radio Set SCR-610-()), and that change-over plug is set for 12 volts. Press tubes down firmly into their sockets. Replace cover on chassis and close lid of power unit. Secure to Mounting FT-250-() with hook fasteners provided. Route power cord to vehicle terminal box inside right stowage compartment, as shown in figure 11, using connector No. 61007 and Bondnut BL-50 in terminal box knock-out hole.
Terminal Box TM-206 for Radio Set SCR-510-(), or Terminal Box TM-218 for Radio Set SCR-610-(), (item 16 or 41, fig. 11).	If Radio Receiver and Transmitter BC-620-() or BC-659-() is supplied without Terminal Box TM-206 or TM-218 already installed, secure terminal box in place of antenna post housing on rear of radio receiver and transmitter, as shown in instructions furnished with terminal box. Make sure that link in terminal box is connected for coaxial lead-in. Refer to chart on Terminal Box TM-206 for proper settings of antenna coil tap on Radio Receiver and Transmitter BC-620-().
Radio Receiver and Transmitter BC-620-() or BC-659-() and Battery BA-41 (item 1, fig. 11), on Power Supply Unit PE-120-().	Install Battery BA-41 (if not already installed) in radio receiver and transmitter as follows: Remove screws around outer edge of front panel and pull receiver and transmitter chassis from case. Remove cover of battery compartment located on chassis near front panel. Place Battery BA-41 into compartment, being careful to engage plug into socket of battery. Replace cover. Before replacing chassis in its case, make sure that all tubes are pressed down firmly in their proper sockets, that crystals for desired operating frequencies are in their proper sockets with retaining clip in position, and that two toggle switches near left side of chassis are in ON position. Place Radio Receiver and Transmitter BC-620-() or BC-659-() on Power Supply Unit PE-120-() and secure with snap slide fasteners provided.

<i>Part and location</i>	<i>Method and materials</i>
Cord CG-67/MRQ-2 and bushing (items 15 and 42, fig. 11).	Route Cord CG-67/MRQ-2 as shown in figure 11, and insert bushing over cord in each hole in vehicle through which cord passes. If bushing is not available, install Insulators IN-121 and IN-101 in holes in vehicles before routing Cord CT-67/MRQ-2. Remove one Plug PL-259 from end of cord. Route Cord CG-67/MRQ-2 through Insulators IN-101 and IN-121 as shown in figure 11, and replace Plug PL-259 on cord. Connect Cord CG-67/MRQ-2 to Terminal Box TM-206 on radio receiver and transmitter.
Mast Base AB-15/GR (item 4, fig. 11), on mast base bracket provided.	Refer to figure 23 for assembly of mast base. Place upper insulator, item 5 (with neoprene washer, item 6, cemented to it), over hole in mast base bracket provided. Place small neoprene washer, item 4, over item 5 and place plain washer, item 3, over item 4. Insert body of mast base, item 2, through items 3, 4, 5 and 6. Place large internal-toothed lockwasher, item 14, over lower insulator, item 7 (which has neoprene washer, item 6, cemented to it). Insert bolt, item 8 (attached to lower insulator), into bottom of item 2, from underneath. Turn item 2 clockwise until threads on items 8 and 2 are fully engaged. Place a 3/4-inch open-end wrench on hexagonal portion of item 2 and tighten mast base carefully. Apply enough pressure so that lockwasher, item 14, will make good contact, but not enough pressure to damage mast base. Refer to figure 16 for assembly of Mast Base MP-48 or MP-48-A. Connect Cord CG-67/MRQ-2 to mast base as follows: Place hose clamp, item 15, over end of cable. Secure Plug PL-259, item 16, on cable to adapter, item 9, on bottom of mast base. Secure item 15 to item 16.
Mast Sections MS-116, MS-117 and MS-118 (items 7, 8 and 9, fig. 11), on mast base.	Screw mast sections together and tape joints with friction tape. Screw assembled mast sections into Mast Base AB-15/GR. Stow mast sections in Roll BG-56 when not in use. When Mast Sections MS-51, MS-52 and MS-53 are used with Mast Base MP-48 or MP-48-A, place Clamps MC-423 and MC-424 on joints.
b. INSTALLATION OF RADIO SET SCR-510-() IN COMBINATION WITH RADIO SET SCR-193-U OR RADIO SET SCR-193-U AND FACSIMILE EQUIPMENT RC-58-(). Installation of Radio	Set SCR-510-() in the above combinations is similar to the installation of Radio Set SCR-510-() alone. Location and assembly of components differ in the following instances:

<i>Part and location</i>	<i>Method and materials</i>
Mounting FT-250-() (item 11, fig. 4 or item 9, fig. 7).	Secure Mounting FT-250-() on left seat of cargo compartment (at center) with hardware provided, as shown in figures 7 and 4.

Part and location	Method and materials
Cord CG-67/MRQ-2 and bushing (item 51 and note 14, fig. 4 or item 39 and note 14, fig. 7).	Route Cord CG-67/MRQ-2 as shown on figure 7 or 4. Place bushing on cord in holes in rear stowage compartment of vehicle. Coil excess cordage and secure to side of vehicle with clamps No. 2 and 7 as shown in figure 14. If bushing is not available, install one Insulator IN-101 and IN-121, as shown in figure 7 or 4, before installing Cord CD-67/MRQ-2. Route and connect cord as directed in preceding method for Radio Set SCR-510-() alone.

SECTION IX

RADIO SET SCR-284-() IN 6-VOLT VEHICLE

20. Required Parts

Items necessary for installation of Radio Set

SCR-284-() in Truck, 3/4-ton, 4x4, Weapon Carrier (6-volt) are listed below:

Quantity	Stock No.	Item
1	2Z502A	Bag BG-102-(), for spare parts, batteries, headset, etc.
1	2Z1131	Box BX-31-(), for tubes.
4	2Z2651-421 through 2Z2651-424	Clamps MC-421 through MC-424, for mast sections.
1	3Z1501A	Cord CD-501.
^a 1	3E1605-6.5	Cord CD-605, 78 in. long, for Headset HS-30-().
1	2Z3367	Cover BG-67, for Mast Base MP-37 or MP-57.
1	2Z4641	Frame FM-41-().
1	6L50-284V13	Hardware bag.
^a 1	2B830	Headset HS-30-().
1	3G586	Insulator IN-86, for tying down mast sections.
1	3Z3448A	Key J-48-().
1	2A2087	Mast Base MP-37 or MP-57.
	2A2088-57	
1	2A2090-50	Mast Base Bracket MP-50.
5	2A2349 through 2A2353	Mast Sections MS-49 through MS-53.
1	2B1617	Microphone T-17.
1	3H4600-104	Power Converter PE-104-().
1	3H4600-103	Power Unit PE-103-(), including spare parts.
1	2C5374	Radio Receiver and Transmitter BC-654-(), including Crystal Unit DC-12-A.
1	2Z8058	Roll BG-58, for mast sections.
2	2Z6721-429	Reinforcing Plate FT-429.
15 ft	6Z7926	Rope RP-5, for tying down mast sections.
2	6Z5093	Strap holder, for snubbing Frame FM-41-().
15 ft	1B142	Wire W-142.
3	2Z1250	Z-bracket, for Frame FM-41-().

^aHeadset P-23-() may be substituted for Headset HS-30-(). In this case, Cord CD-605 is not necessary.

21. Assembly and Installation

Components of Radio Set SCR-284-() should be installed in Truck, 3/4-ton, 4x4, Weapon Car-

rier (6-volt) as shown in figure 12 and as directed below:

Part and location

Method and materials

Frame FM-41-() (item 4, fig. 12), on floor at left side of vehicle behind front seat.

Install as shown in figure 12, using hardware provided and Z-brackets. Secure with webbed straps as indicated in figure.

Power Unit PE-103-() (item 2, fig. 12), on bottom of Frame FM-41-().

Open spring cover in base of Power Unit PE-103-() and set slotted voltage-adjustment for 6-VOLT OPERATION as marked. Set three circuit breakers to ON position as marked. Place Power Unit PE-103-() on bottom of Frame FM-41-() as shown in figure 12, and secure with wingnuts provided. Complete all other connections before connecting power supply cord to starter switch to prevent accidental shorts on battery.

<i>Part and location</i>	<i>Method and materials</i>
Power Converter PE-104-() (item 3, fig. 12), in power supply compartment of Radio Receiver and Transmitter BC-654-().	Power Converter PE-104-() is supplied installed. Before placing equipment in operation, open small door of power supply compartment, pull out plug, slide power converter forward, and set voltage switch for 6-VOLT OPERATION.
Radio Receiver and Transmitter BC-654-() (item 1, fig. 12), on Frame FM-41-().	Locate as shown in figure 12, and secure by tightening wingnuts provided.
Cord CD-501 (item 13, fig. 12).	Route from radio receiver and transmitter to power unit as shown in figure 12, and connect.
Mast Base Bracket MP-50 and two Reinforcing Plates FT-429 (fig. 15) (items 15 and 16, fig. 12), on left side wall of vehicle at rear of front seat.	Install as shown in figure 12, using hardware provided.
Mast Base MP-37 or MP-57 (item 5, fig. 12), on Mast Base Bracket MP-50.	Install as shown in figure 17.
Mast Sections MS-49 through MS-53 (items 7, 8, 9, 10, and 11, fig. 12), on Mast Base MP-37.	Screw sections together, placing Clamps MC-421 through MC-424 over joints to prevent loss of sections. Stow sections in Roll BG-58 when not in use.
Cover BG-67 (item 6, fig. 12).	Place over mast base when mast sections are not in use.
Bag BG-102-().	Use for stowage of spare parts.
Box BX-31.	Use for stowage of spare tubes.
Wire W-142 (item 14, fig. 12).	Connect between binding post of Radio Transmitter and Receiver BC-654-() and binding post on Mast Base MP-57 or MP-37.
Power Cables from Power Unit PE-103-().	Connect positive cable to starter switch and negative cable to frame as shown in figure 12.

SECTION X

RADIO SET SCR-610-() IN 6-VOLT VEHICLE

22. Required Parts

Items necessary for installation of Radio Set

SCR-610-() in Truck, 3/4-ton, 4x4, Weapon Carrier (6-volt) are listed below:

Quantity	Stock No.	Item
1	6Q338-150	Alignment Tool TL-150.
1	3A41	Battery BA-41.
1	2Z6721-449	Mounting Bracket FT-449.
1	2Z6721-450	Mounting Bracket FT-450.
1	2Z2651-423 and 2Z2651-424	Clamps MC-423 and MC-424, for mast sections.
1	6Z3147	Connector No. 61007 and Bondnut BL-50.
1	2Z1140	Box BX-40, for crystal.
^a 1	3E1605-6.5	Cord CD-605, for Headset HS-30-().
1	2Z3400-108	Cover BG-108.
120	2Z3543	Crystal Holder FT-243, with crystal (2 installed in receiver-transmitter).
1	6L50-510V36	Hardware bag.
^a 1	2B830	Headset HS-30-().
1	2A2088-48	Mast Base MP-48 or MP-48-A.
1	2A2090-50	Mast Base Bracket MP-50.
3	2A2351 through 2A2353	Mast Sections MS-51, MS-52, and MS-53.
1	2B1617	Microphone T-17.
1	2Z6721-250	Mounting FT-250-().
2	2Z6721-429	Reinforcing Plate FT-429, for mast bracket.
^b 1	3H4496-120	Power Supply Unit PE-120-().
1	2C6659	Radio Receiver and Transmitter BC-659-() with tubes, crystals, and spare parts.
1	2Z8056	Roll BG-56-(), for mast sections.
1	3H6712	Vibrator VB-12.
5 ft	1B128	Wire W-128.

^aHeadset P-23 may be substituted for Headset HS-30-(). In this case, Cord CD-605 is not required.

^bUntil all supplies for Power Supply Unit PE-117-() are exhausted, they shall be substituted for Power Supply Unit PE-120-(); Vibrator VB-12 is not required.

23. Assembly and Installation

Components of Radio Set SCR-610-() should be installed in Truck, 3/4-ton, 4x4, Weapon Car-

rier (6-volt) as shown in figure 13 and as directed below:

<i>Part and location</i>	<i>Method and materials</i>
Mast Base Bracket MP-50 and two Reinforcing Plates FT-429, on body of truck to rear of driver.	Locate and mount as shown in figure 13.
Mast Base MP-48 or MP-48-A, on Mast Base Bracket MP-50.	After removing internal lead-in from mast base, assemble as shown in figure 16. Locate and mount on Mast Base Bracket MP-50 as shown in figure 13.
Mast Sections MS-51, MS-52, and MS-53; Clamps MC-423 and MC-424, on mast base.	Join mast sections, placing clamps over joints to prevent loss of sections, and install on mast base. When clamps are not available, use friction tape. Stow mast sections and clamps in Roll BG-56-() when not in use.

Part and location

Method and materials

Mounting Brackets FT-449 and FT-450, on floor and to wall at rear of driver.

Locate and mount as shown in figure 13.

Mounting FT-250-(), on Mounting Brackets FT-449 and FT-450.

Mount and secure as shown in figure 13.

Battery BA-41, in Radio Receiver and Transmitter BC-659-().

If Battery BA-41 is not already installed, proceed as follows: Disengage radio receiver and transmitter from its case by removing ten screws on outer edge of front panel, and pulling out chassis. Place two toggle switches near left edge of chassis to ON position. Remove cover of battery box located on chassis and install battery into box, lining up plugs.

Power Supply Unit PE-120-() and Vibrator VB-12, on Mounting FT-250-().

Open lid of power supply unit and remove power pack cover. Consult diagram on cover and make sure that change-over plug is in 6-VOLT position, and that connector link is in BC-659 position. Plug Vibrator VB-12 into its socket and replace power pack cover. Close lid of case and place power supply unit on Mounting FT-250-(), securing with hook fasteners provided. Connect power cord at starter switch as shown in figure 13.

Radio Receiver and Transmitter BC-659-(), on Power Supply Unit PE-120-().

Place and secure on power unit with catch clips attached as shown in figure 13.

Connector No. 61007 and Bondnut BL-50.

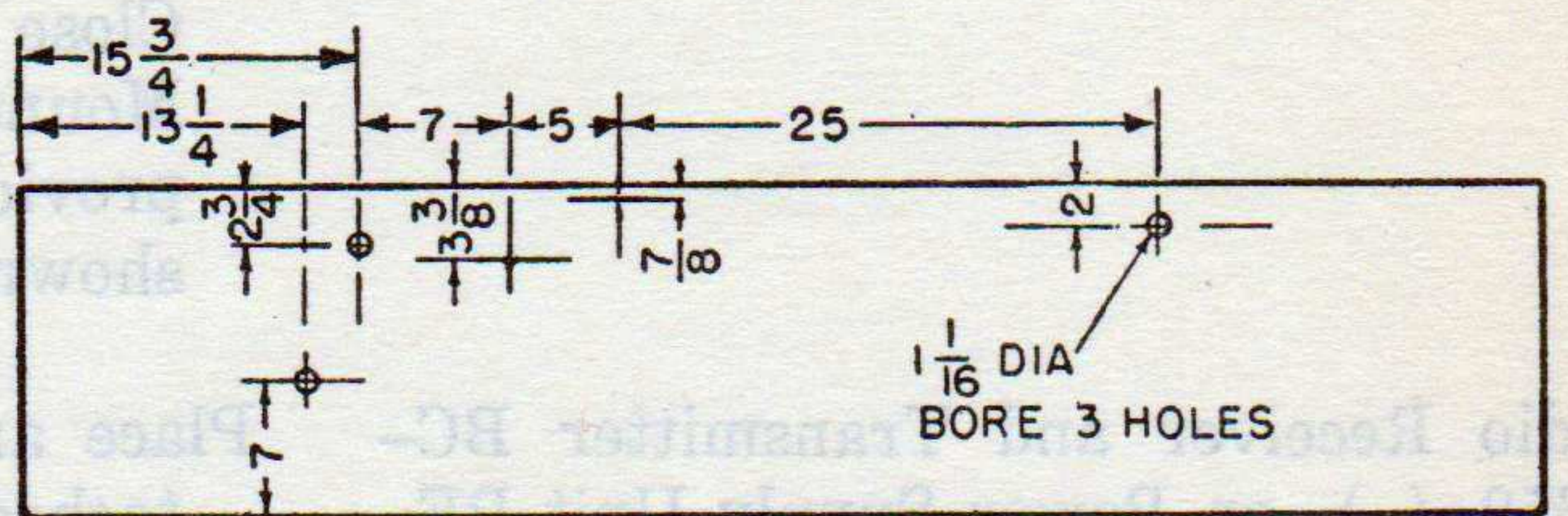
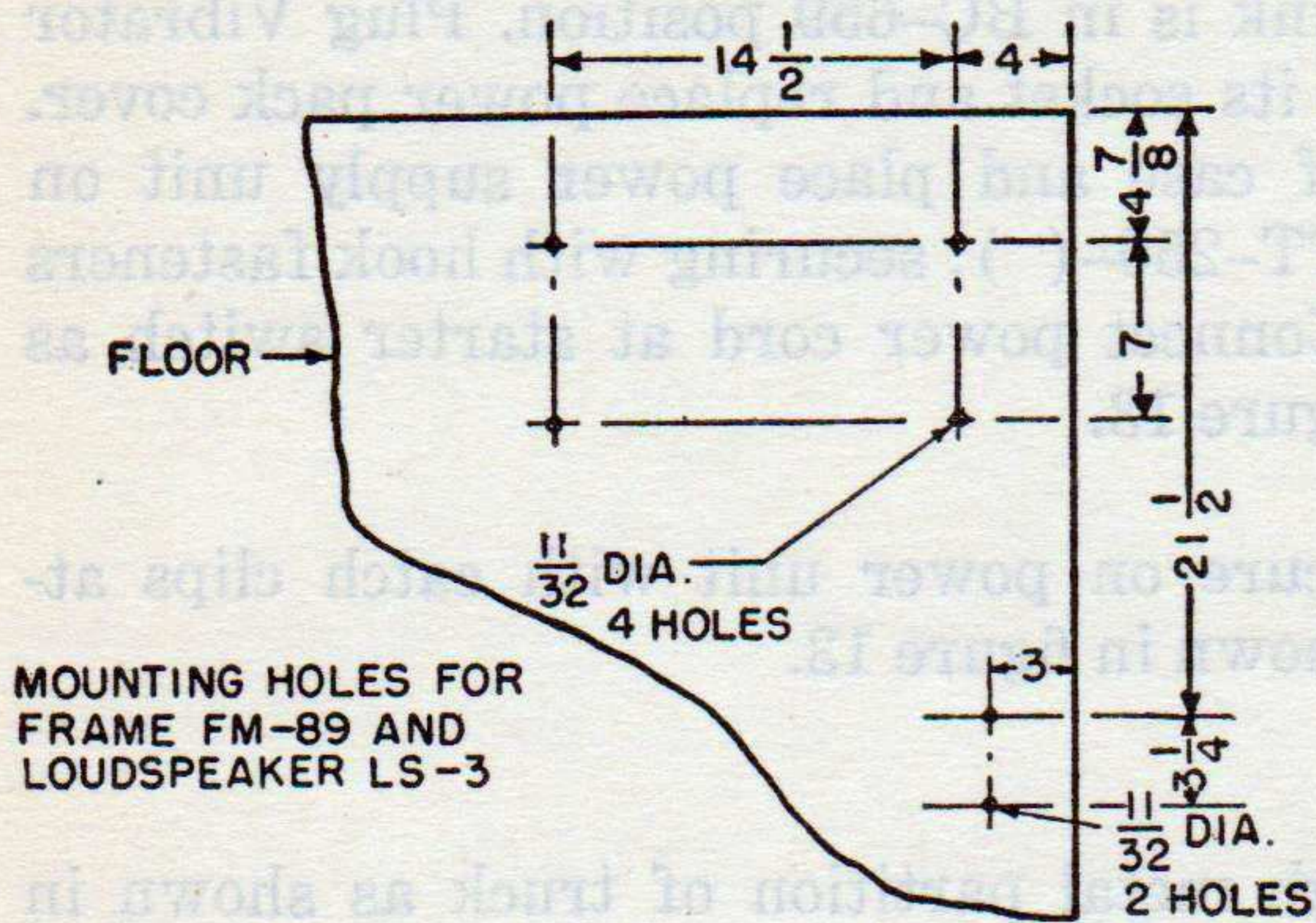
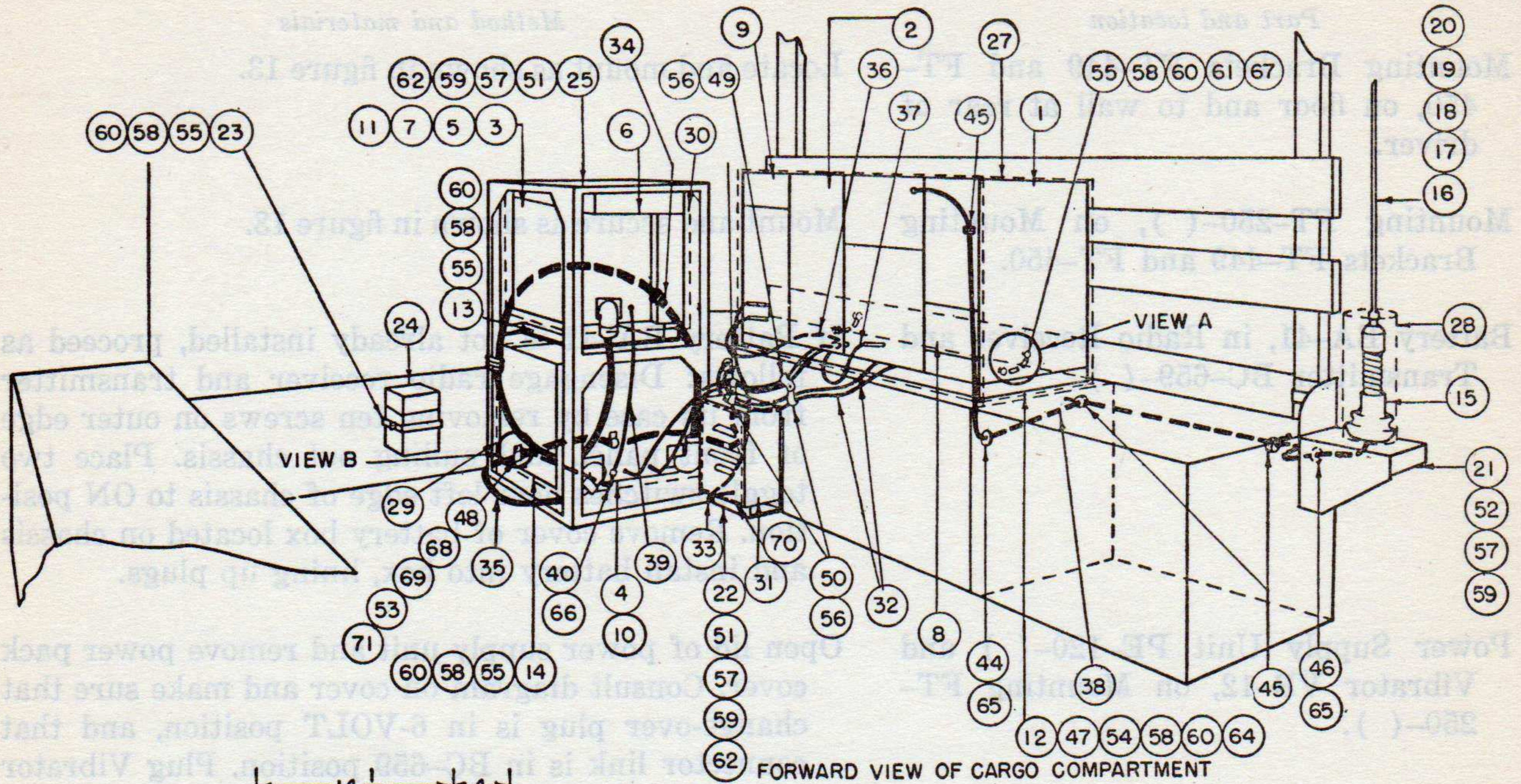
Install through metal partition of truck as shown in figure 13.

Cover BG-108.

Place over mast base when mast sections are not installed.

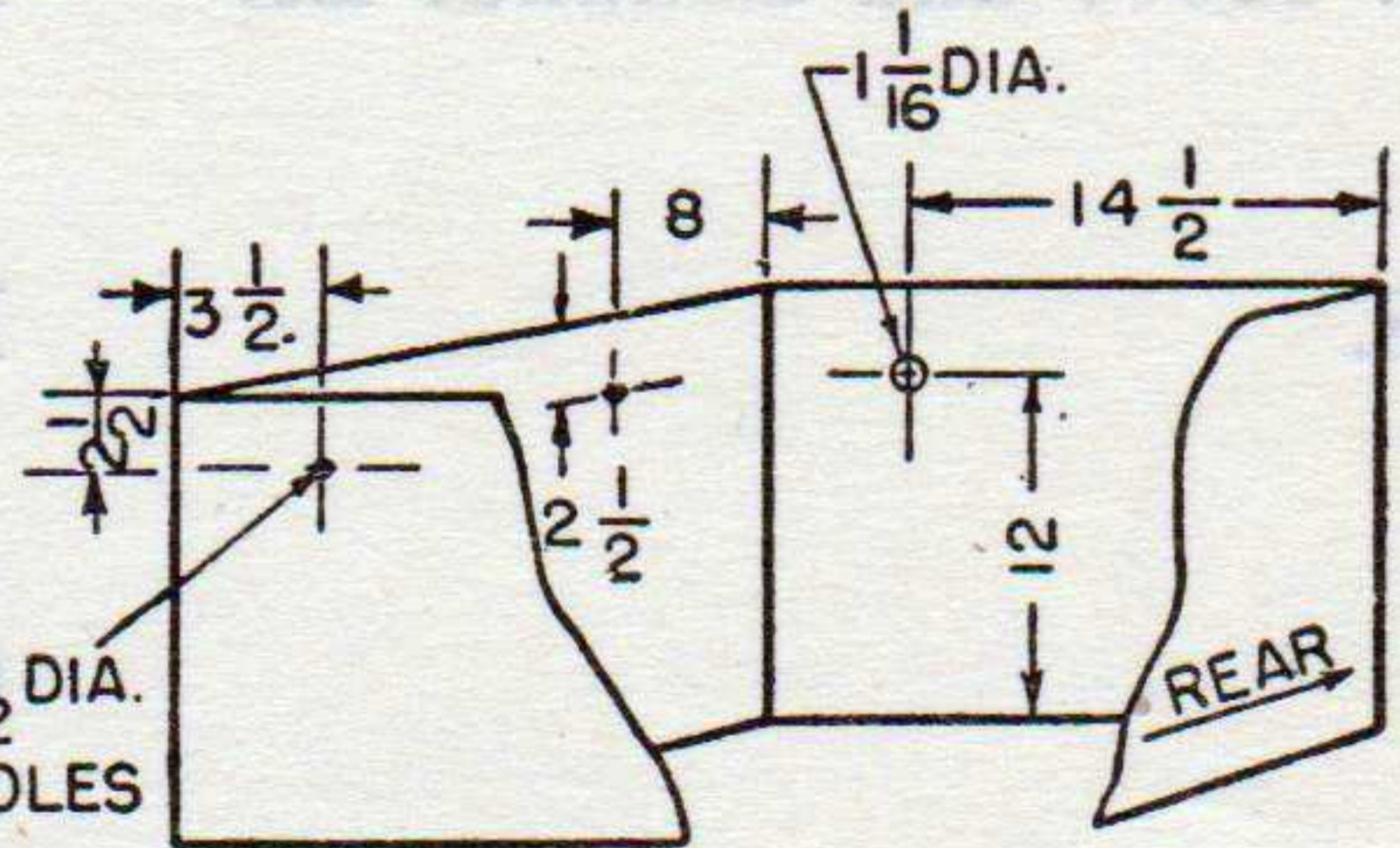
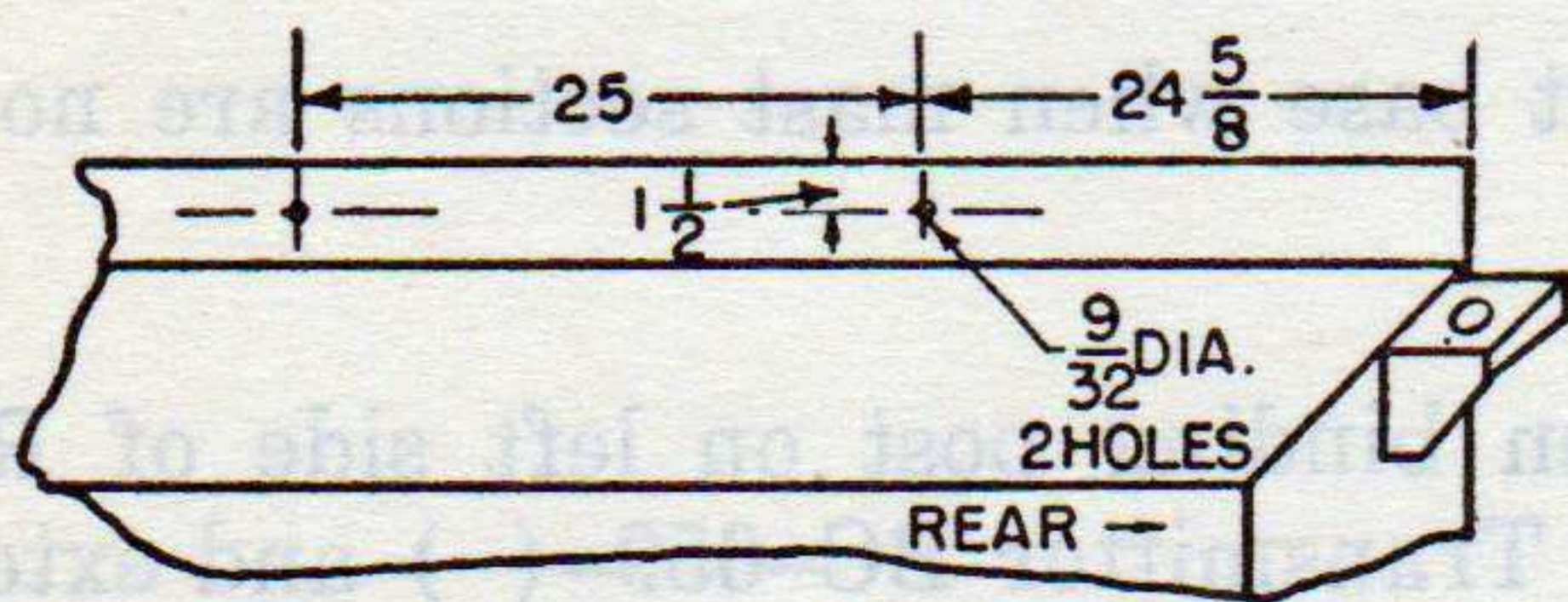
Wire W-128.

Connect between binding post on left side of Radio Receiver and Transmitter BC-659-() and external binding post on Mast Base MP-48 or MP-48-A.



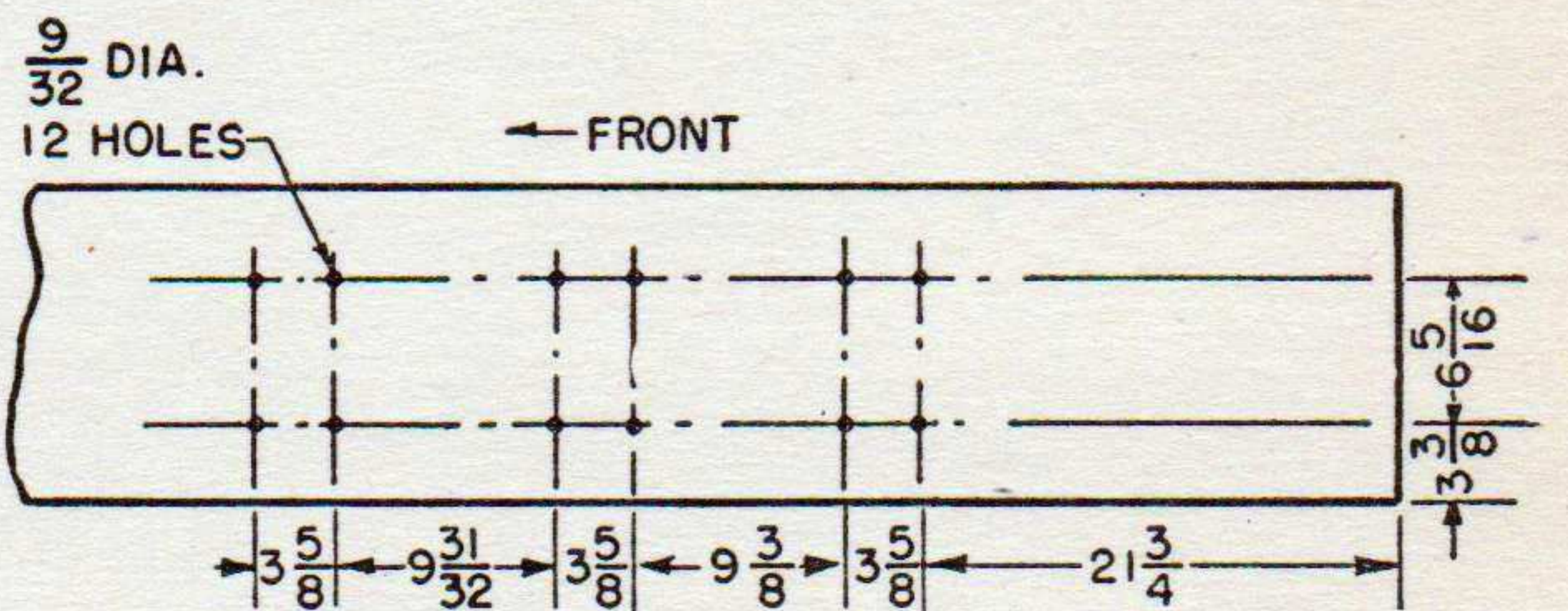
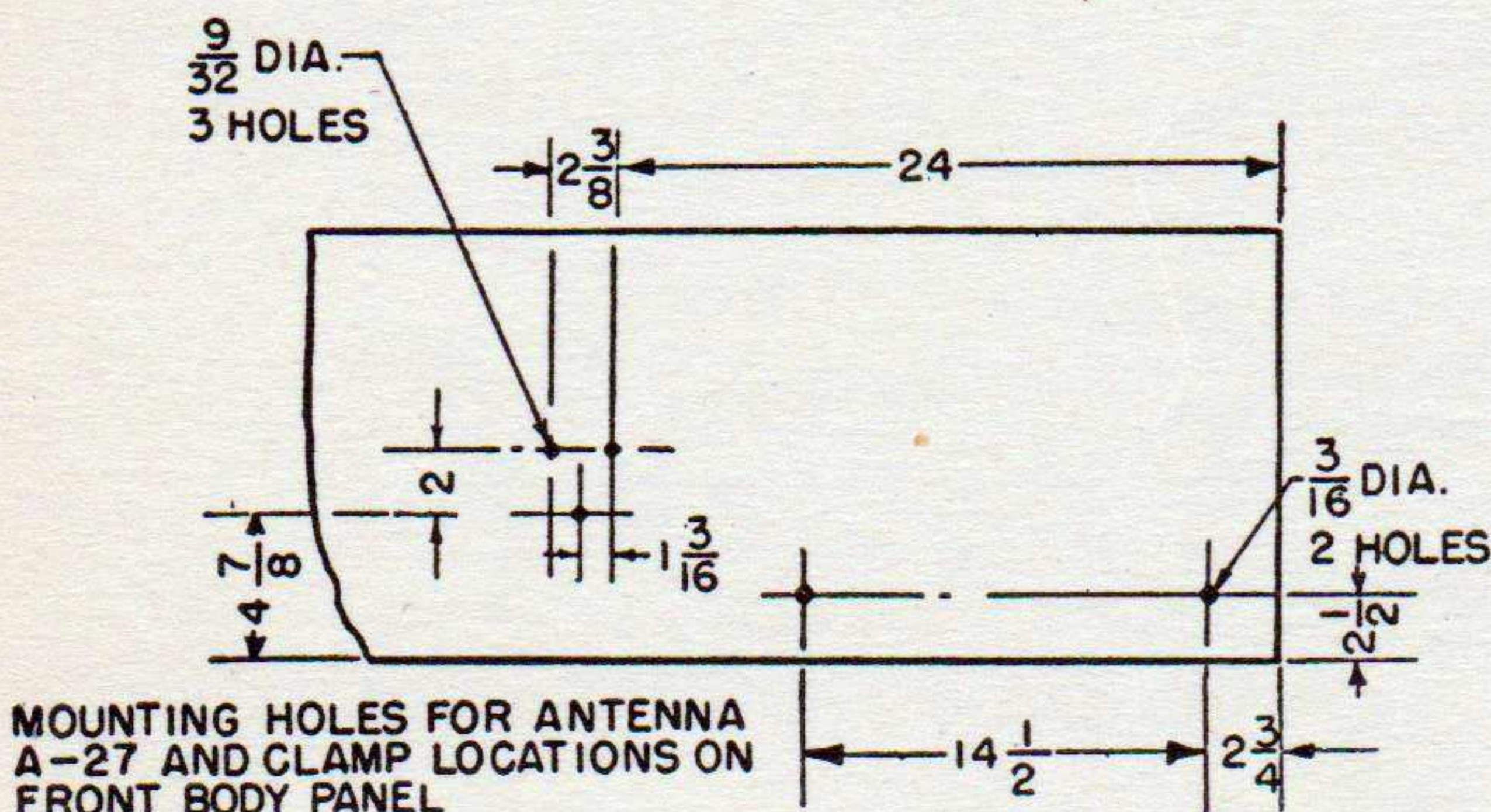
MOUNTING HOLES FOR FRAME FM-89 AND LOUDSPEAKER LS-3

CLAMP LOCATIONS AND CORD HOLES IN RIGHT SIDE OF CARGO COMPARTMENT



MOUNTING HOLES FOR SCR-506-() BONDING STRAPS

RIGHT REAR STOWAGE COMPARTMENT

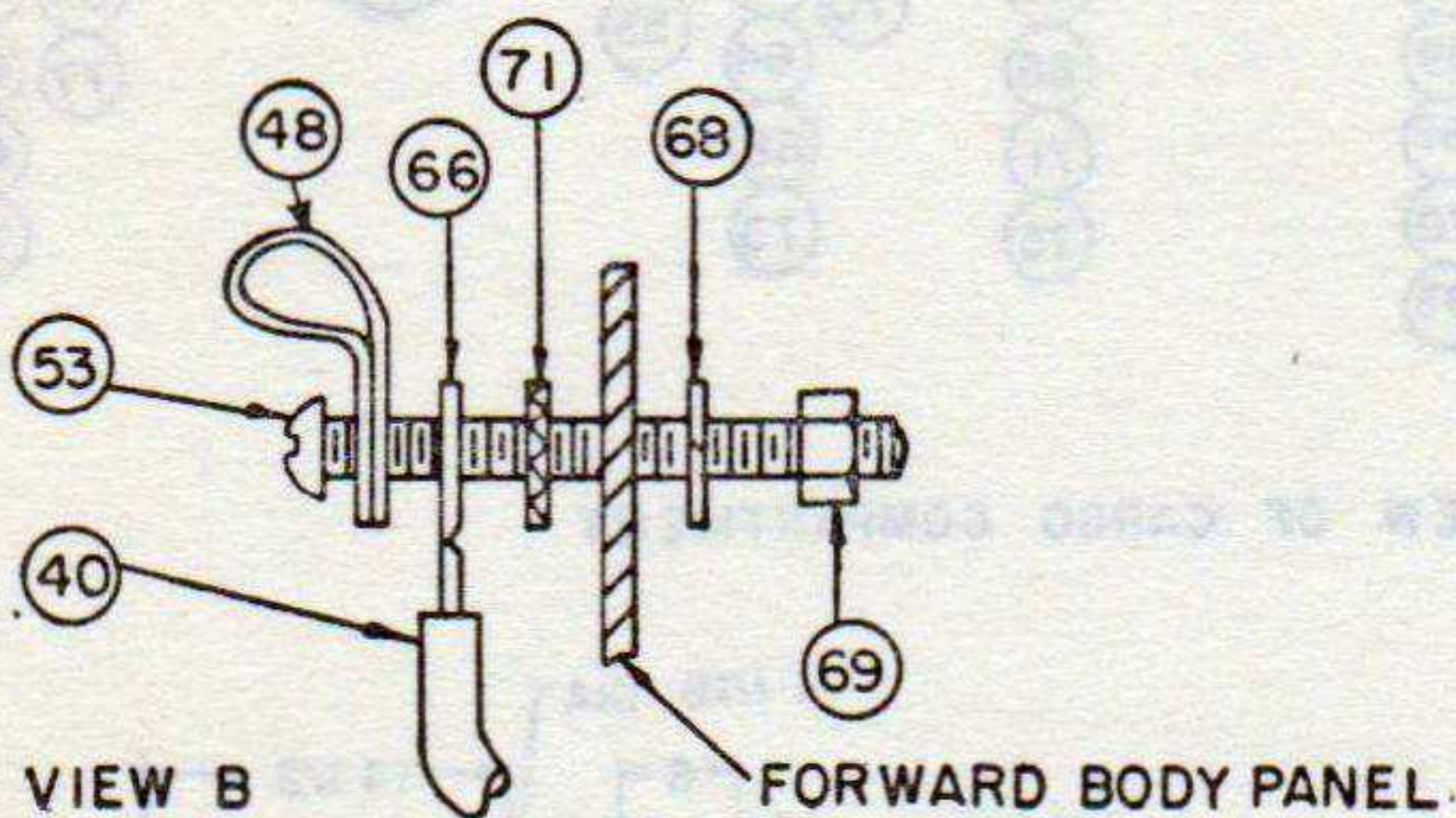
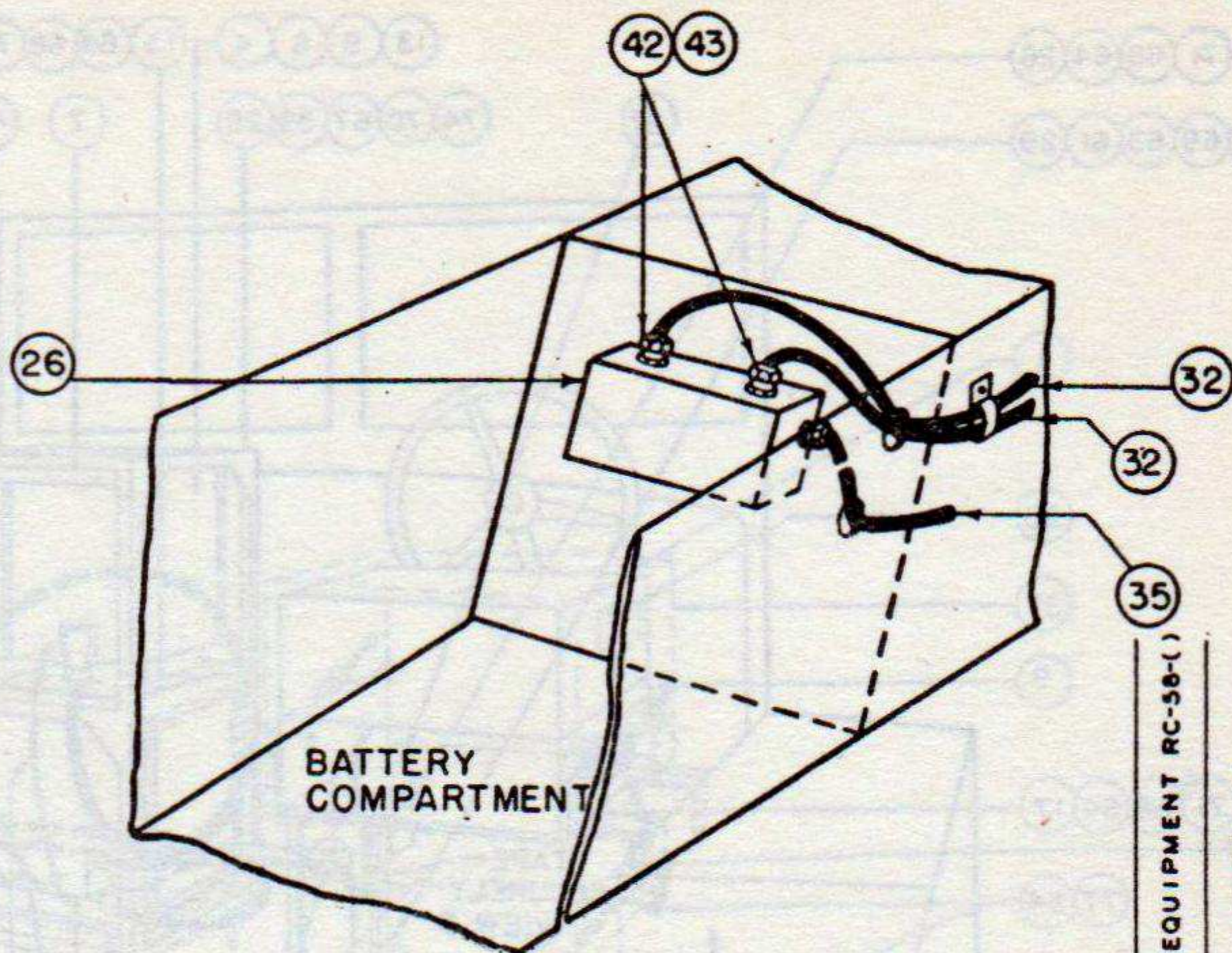
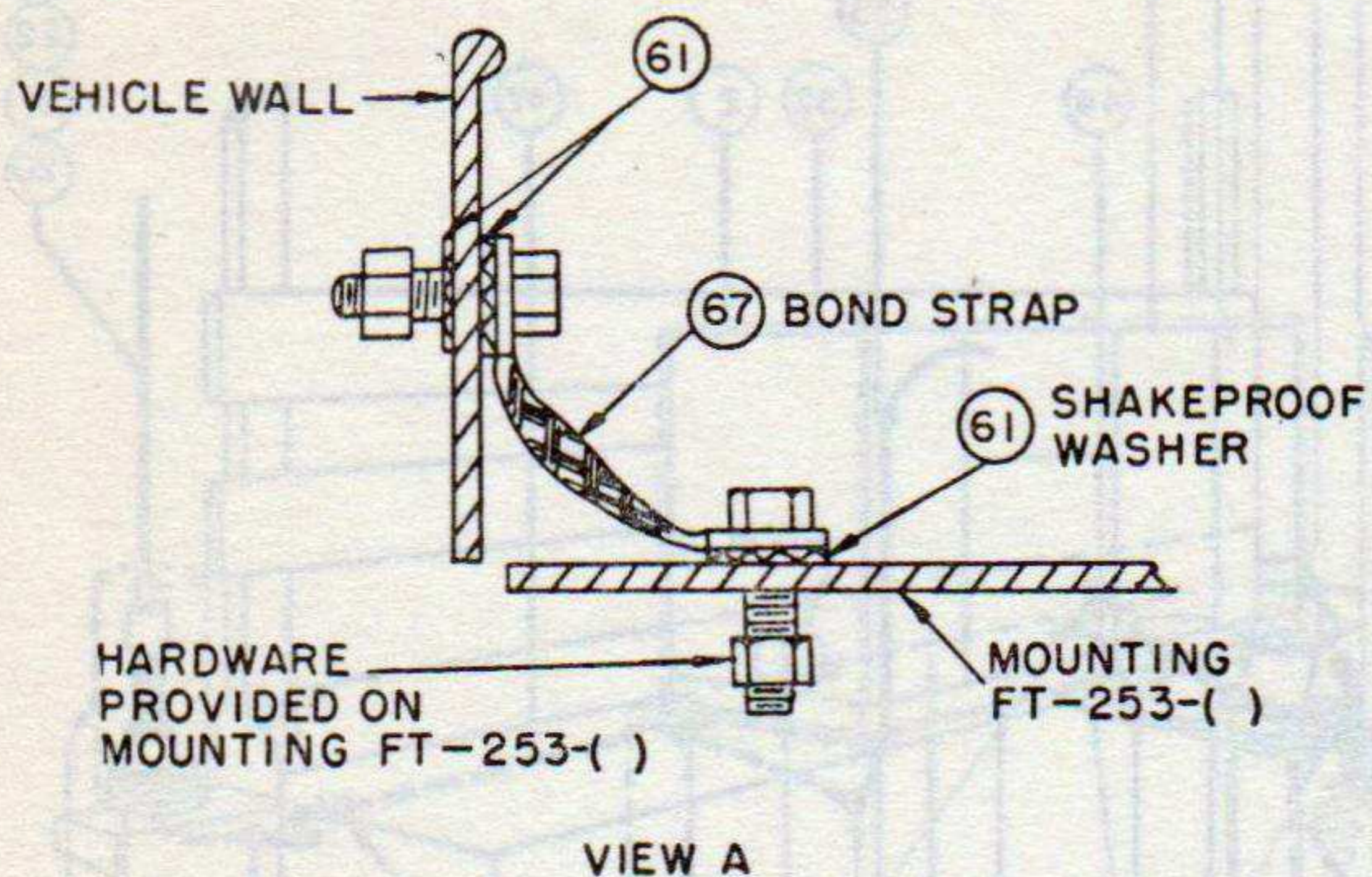


MOUNTING HOLES FOR ANTENNA A-27 AND CLAMP LOCATIONS ON FRONT BODY PANEL

MOUNTING HOLES FOR SCR-506-()

TL 15963-1

Figure 1. Installation of Facsimile Equipment RC-58-() in combination with



NOTES:

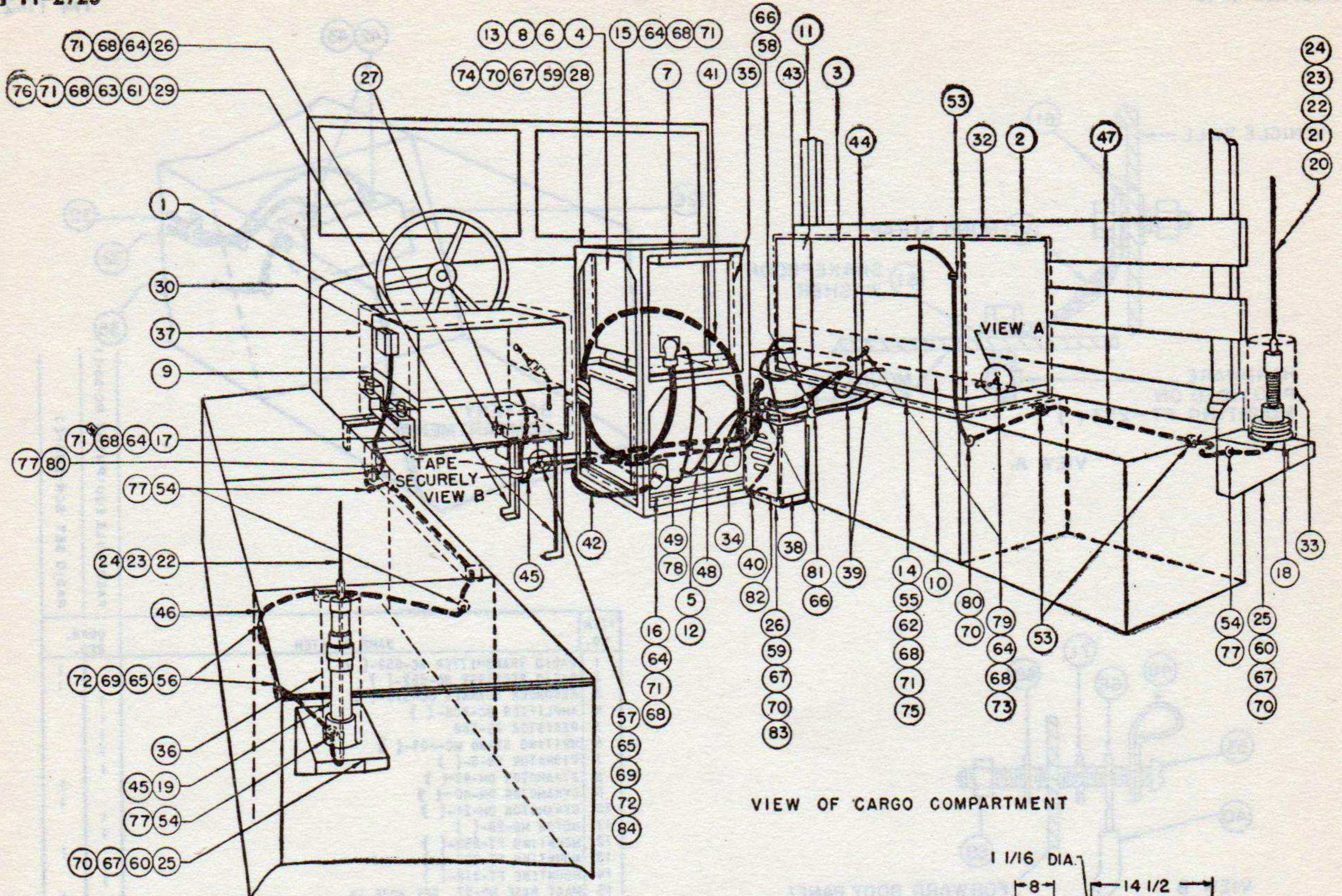
1. FOR ADDITIONAL COMPONENTS AND SPARE PARTS, SEE COMPONENT PARTS LIST.
2. UNLESS OTHERWISE SPECIFIED, DIMENSIONS ARE IN INCHES.
3. COIL AND TAPE EXCESS (36) AND (37) AND STOW UNDER (12)
4. STRIP (40) 1 IN. AT BOTH ENDS. SECURELY SOLDER (66) TO ONE END. TIN THE OTHER.
5. STRIP (38) AND (39) 1 IN. AT BOTH ENDS. TIN FOR CONNECTIONS.
6. (47) FURNISHED WITH (12) .
7. (26) FURNISHED AND INSTALLED BY VEHICLE MANUFACTURER.
8. CUT (32) TO PROPER LENGTH.
9. (41) LOCATED IN STOWAGE COMPARTMENT.
10. (67) SHALL BE CAT. NO. GS10S, AS MADE BY THOMAS AND BETTS CO., OR EQUAL.
11. (61) AND (71) SHALL BE CAT. NO. 4014-22 AND 4008-14, AS MADE BY ILLINOIS TOOL WORKS, CHICAGO, ILL., OR EQUAL.
12. DRAWING REFERENCE:

INSTALLATION	FIG. NO.
SCR-506	9
SCR-510 OR 610	11
SCR-608, 628, 508 OR 528	10
SCR-193-U	6
SCR-193-U AND 510	7
SCR-193-U, 510 AND RC-58	4 AND 9
SCR-506, 510 AND RC-58	2
SCR-193-U AND RC-58	3
SCR-284	8
13. USE (28) WHEN MAST SECTIONS ARE NOT INSTALLED.
14. WHEN (15) IS NOT AVAILABLE USE MAST BASE MP-37.
15. ONE (21) FURNISHED WITH THE VEHICLE BY THE MANUFACTURER.

ITEM NO.	NAME OF ITEM	QUAN. REQ.
1	RADIO TRANSMITTER BC-653-()	1
2	RADIO RECEIVER BC-652-()	1
3	RECORDER SCANNER BC-918-()	1
4	AMPLIFIER BC-908-()	1
5	RESISTOR RS-288	1
6	WRITING STAND MC-309-()	1
7	VIBRATOR VB-3-()	1
8	DYNAMOTOR DM-42-()	1
9	DYNAMOTOR DM-40-()	1
10	DYNAMOTOR DM-21-()	1
11	MOTOR MO-28-()	1
12	MOUNTING FT-253-()	1
13	MOUNTING FT-328-()	1
14	MOUNTING FT-318-()	1
15	MAST BASE MP-57 SEE NOTE 14	1
16	MAST SECTION MS-49 AND CLAMP MC-421	1
17	MAST SECTION MS-50 AND CLAMP MC-422	1
18	MAST SECTION MS-51 AND CLAMP MC-423	1
19	MAST SECTION MS-52 AND CLAMP MC-424	1
20	MAST SECTION MS-53	1
21	MAST BASE BRACKET MP-50 SEE NOTE 15	1
22	BRACKET PER FIG. 20	1
23	BRACKET PER FIG. 18	1
24	ANTENNA (PHANTOM) A-27	1
25	FRAME FM-89	1
26	TERMINAL BOX C-100427 SEE NOTE 7	1
27	COVER BG-103-()	1
28	COVER BG-67-() SEE NOTE 13	1
29	COVER BG-118-()	1
30	COVER BG-128-()	1
31	LOUDSPEAKER LS-3	1
32	CORD CO-280 SEE NOTE 8	2
33	CORD CD-314-()	1
34	CORD CD-606-()	1
35	CORD CD-608-()	1
36	CORD CD-1018 SEE NOTE 3	1
37	CORD CD-1019 SEE NOTE 3	1
38	WIRE W-148 5FT. 31N. LONG SEE NOTE 6	1
39	WIRE W-128 16 IN. LONG SEE NOTE 5	1
40	WIRE W-128 20 IN. LONG SEE NOTE 4	1
41	CHEST CH-108-() SEE NOTE 9	1
42	APPLETON CONNECTOR CAT. NO. 61007	2
43	APPLETON BONDNUIT CAT. NO. BL-50	2
44	INSULATOR IN-101	1
45	INSULATOR IN-104	3
46	INSULATOR IN-121	1
47	SPACER SEE NOTE 6	6
48	CLAMP NO. 4	2
49	CLAMP NO. 5 } FIG. 14	2
50	CLAMP NO. 7	2
51	HEX. HEAD CAP SCREW 5/16-24 X 2 1/2 LONG	4
52	HEX. HEAD CAP SCREW 5/16-24 X 3/4 LONG	4
53	ROUND HEAD MACH. SCREW #8-32 X 1/2 LONG	2
54	HEX. HEAD CAP SCREW 1/4-20 X 2 IN. LONG	12
55	HEX. HEAD CAP SCREW 1/4-20 X 3/4 LONG	8
56	ROUND HEAD WOOD SCREW #10 X 5/8 LONG	2
57	HEX. NUT 5/16-24 STD.	4
58	HEX. NUT 1/4-20 STD.	17
59	LOCKWASHER S.A.E. REGULAR FOR 5/16 SCREW	4
60	LOCKWASHER S.A.E. REGULAR FOR 1/4 SCREW	15
61	LOCKWASHER 1/4 I.E.T. SEE NOTE 11	6
62	FLATWASHER 11/32 I.D. X 3/4 O.D.	4
63		
64	FLATWASHER 9/32 I.D. X 3/4 O.D.	12
65	RUBBER WASHER	2
66	TERMINAL FIG. 5 SEE NOTE 4	1
67	BONDSTRAP CAT. NO. GS10S SEE NOTE 10	2
68	LOCKWASHER S.A.E. REGULAR FOR #8 SCREW	2
69	HEX. NUT #8-32	2
70	COVER CW-41/U	1
71	LOCKWASHER #8 I.E.T.	1

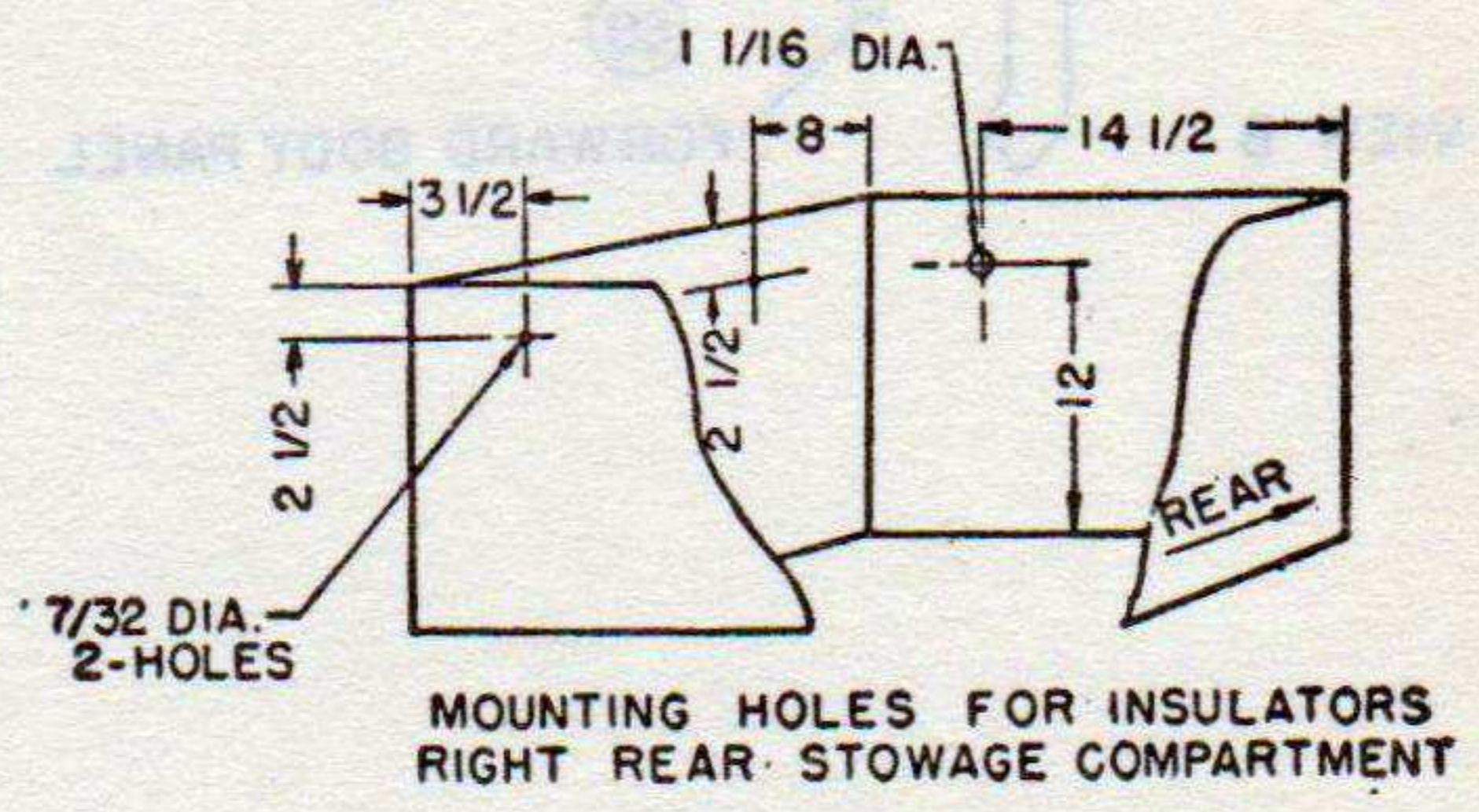
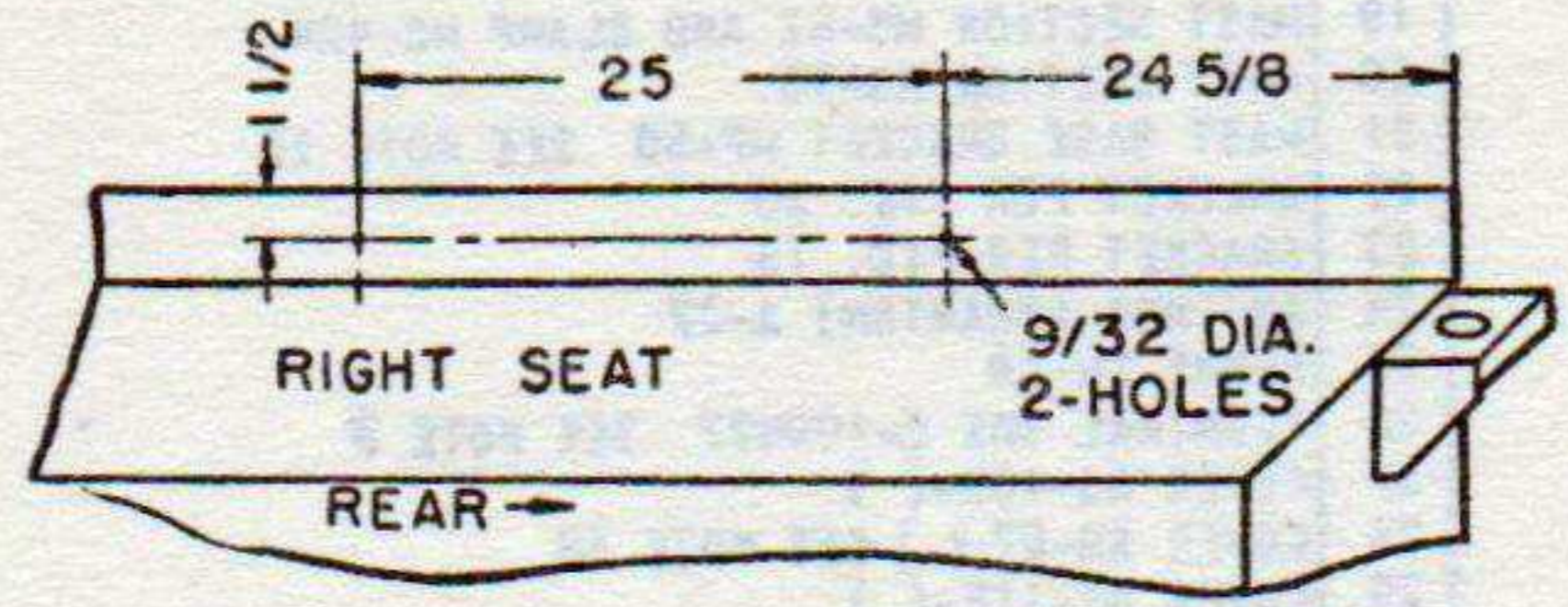
TL 15963-2

Radio Set SCR-506-() in Truck, 3/4-ton, 4x4, Weapon Carrier (12-volt).

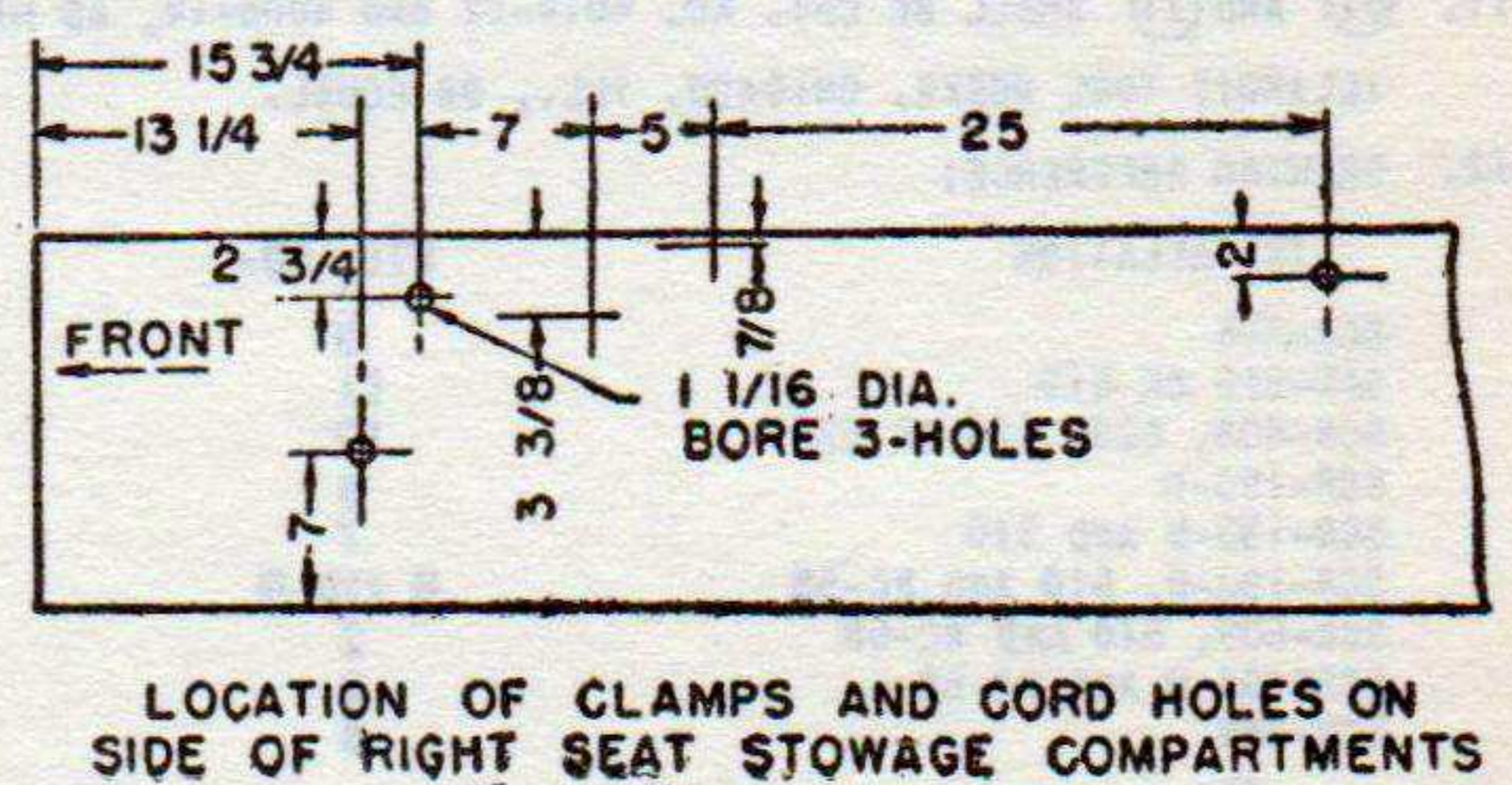
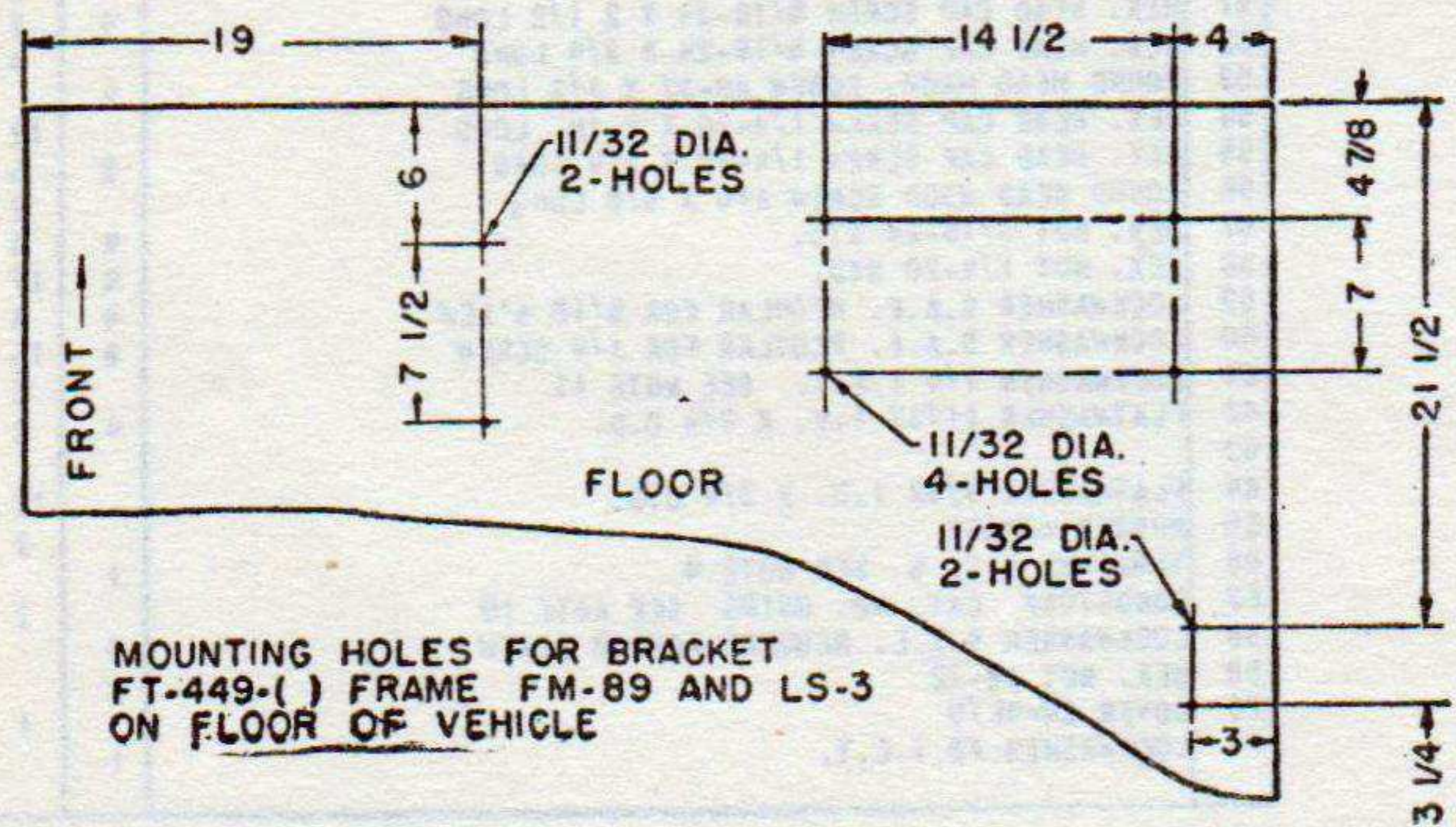
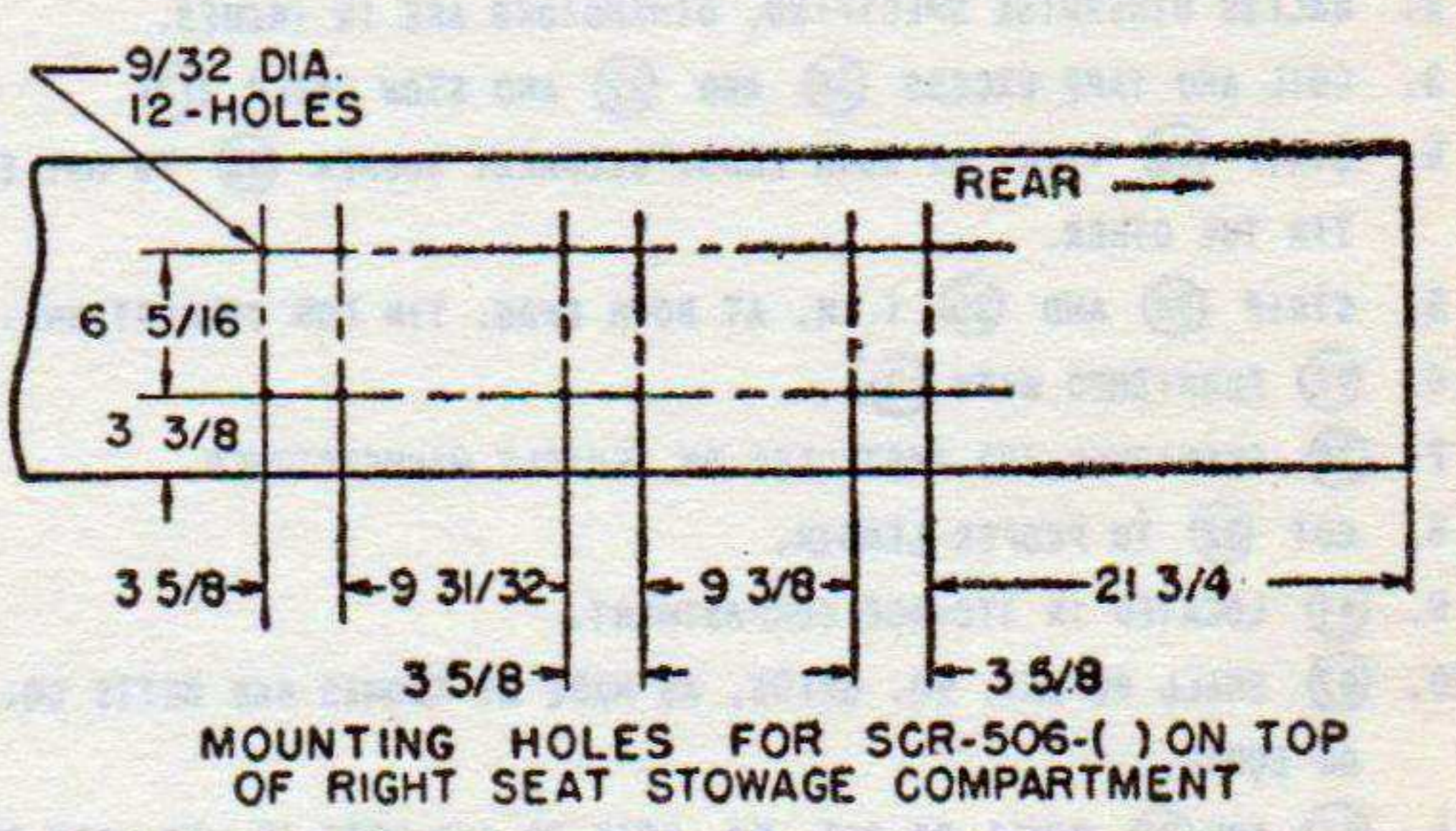
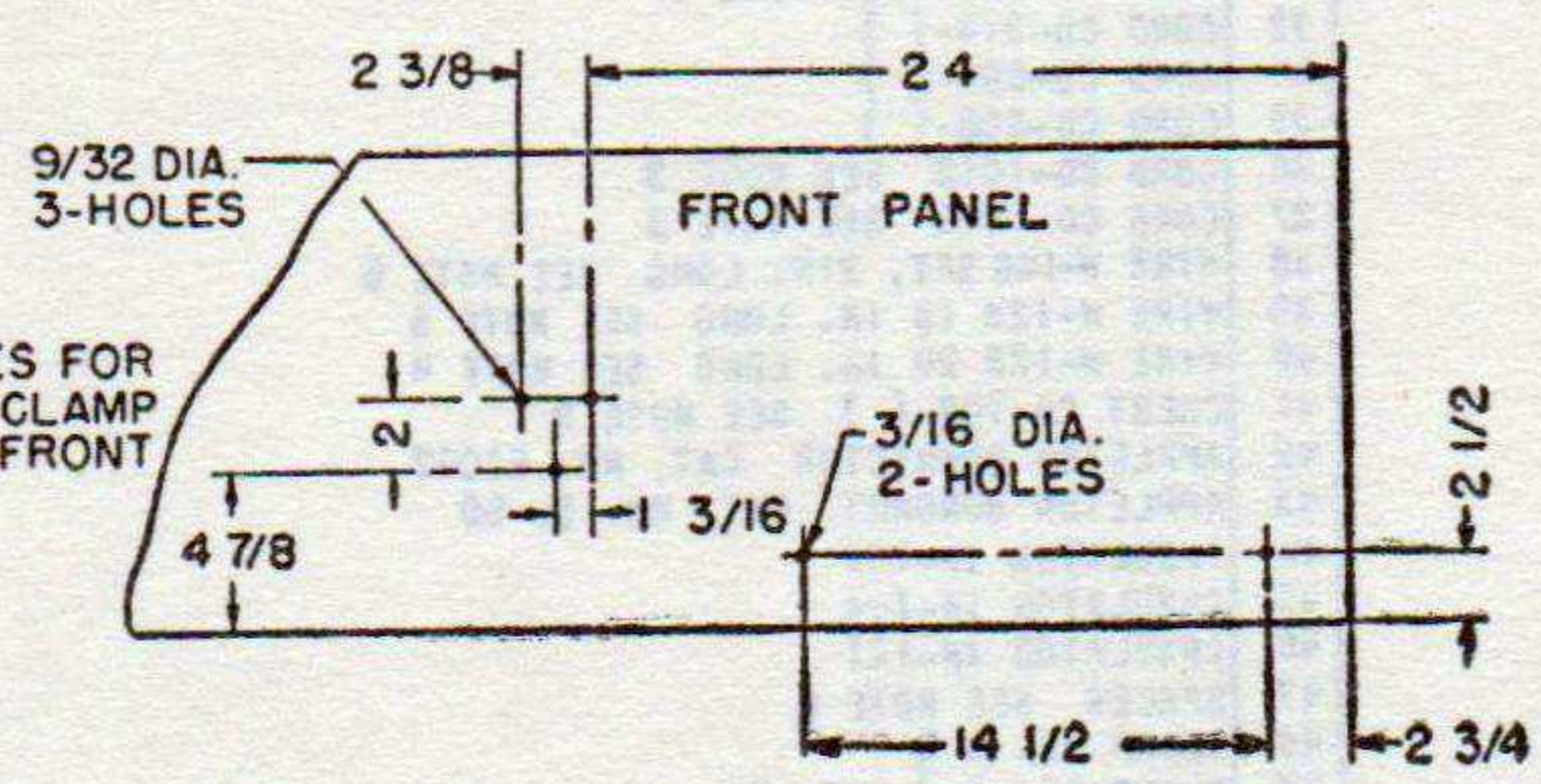


VIEW OF CARGO COMPARTMENT

MOUNTING HOLES FOR SCR-506-() BONDING STRAPS



MOUNTING HOLES FOR ANT. A-27 AND CLAMP LOCATIONS ON FRONT BODY PANEL



MOUNTING HOLES FOR BRACKET FT-449-() FRAME FM-89 AND LS-3 ON FLOOR OF VEHICLE

LOCATION OF CLAMPS AND CORD HOLES ON SIDE OF RIGHT SEAT STOWAGE COMPARTMENTS

Figure 2. Installation of Facsimile Equipment RC-58-() in combination with Radio

TL 15964-1

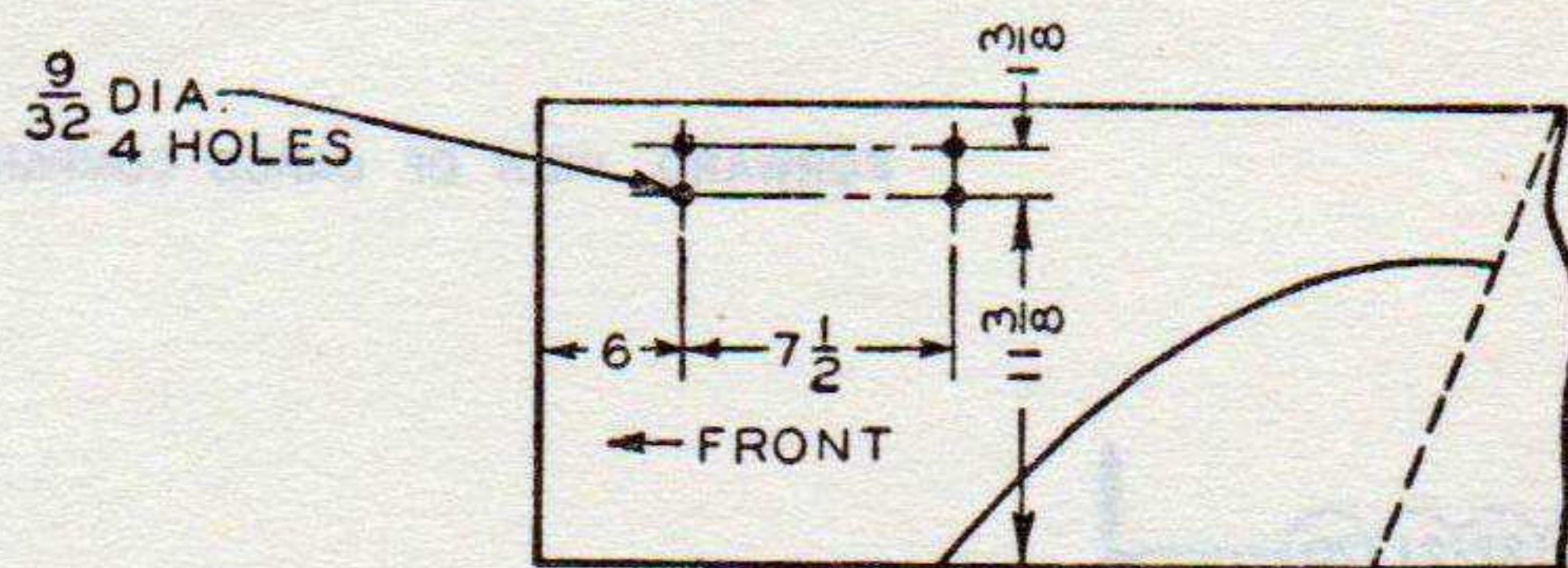
ITEM NO.	NAME OF ITEM	QUAN. REQ.		
		FACSIMILE EQUIPMENT RC-58-()	RADIO SET SCR-506-()	RADIO SET SCR-510-()
1	RADIO TRANSMITTER BC-620-()			1
2	RADIO TRANSMITTER BC-653-()		1	
3	RADIO RECEIVER BC-652-()		1	
4	RECORDER SCANNER BC-918-()	1		
5	AMPLIFIER BC-908-()	1		
6	RESISTOR RS-288	1		
7	WRITING STAND MC-308-()	1		
8	VIBRATOR VB-3-()	1		
9	POWER UNIT PE-120-()			1
10	DYNAMOTOR DM-42-()	1		
11	DYNAMOTOR DM-40-()	1		
12	DYNAMOTOR DM-21-()	1		
13	MOTOR MO-28-()	1		
14	MOUNTING FT-253-()	1		
15	MOUNTING FT-328-()	1		
16	MOUNTING FT-318-()	1		
17	MOUNTING FT-250-()	1		
18	MAST BASE MP-57	1		
19	MAST BASE MP-48-A	1		
20	MAST SECTION MS-49 AND CLAMP MC-421	1		
21	MAST SECTION MS-50 AND CLAMP MC-422	1		
22	MAST SECTION MS-51 AND CLAMP MC-423	1		
23	MAST SECTION MS-52 AND CLAMP MC-424	1		
24	MAST SECTION MS-53	1		
25	MAST BASE BRACKET MP-50 SEE NOTE 8	1		
26	BRACKET PER FIG. 20	1		
27	ANTENNA (PHANTOM) A-27	1		
28	FRAME FM-89	1		2
29	BRACKET FT-449			2
30	TERMINAL BOX (ANTENNA) TM-206	1		
31	TERMINAL BOX C100427 SEE NOTE 8	1		
32	COVER BG-103-()	1		
33	COVER BG-67-() SEE NOTE 6	1		
34	COVER BG-118-()	1		
35	COVER BG-128-()	1		
36	COVER BG-108 SEE NOTE 6	1		
37	COVER BG-153	1		
38	LOUDSPEAKER LS-3	1		
39	CORD CO-280-()		2	
40	CORD CD-314-()		1	
41	CORD CD-606-() SEE NOTE 3	1		
42	CORD CD-608-()	1		
43	CORD CD-1018	1		
44	CORD CD-1019	1		
45	CORD CD-689	1		
46	CORD CD-636	1		
47	WIRE W-146 5 FT. 3 IN. LONG SEE NOTE 9	1		
48	WIRE W-128 16 IN. LONG SEE NOTE 9	1		
49	WIRE W-128 20 IN. LONG SEE NOTE 10	1		
50	CHEST CH-108 SEE NOTE 4	1		
51	APPLETON CONNECTOR CAT. NO. 61007	2		1
52	APPLETON BONDNUT CAT. NO. BL-50	2		1
53	INSULATOR IN-104	3		
54	INSULATOR IN-121	1		3
55	SPACER SEE NOTE 5	6		
56	CLAMP NO. 1			3
57	CLAMP NO. 4 } PER FIG. 14			5
58	CLAMP NO. 5 }	2		5
59	HEX. HEAD CAP SCREW 5/16-24 X 2-1/2 LONG	4	2	
60	HEX. HEAD CAP SCREW 5/16-24 X 3/4 LONG		4	
61	HEX. HEAD CAP SCREW 1/4-20 X 2-1/2 LONG		4	2
62	HEX. HEAD CAP SCREW 1/4-20 X 2 LONG	12		
63	HEX. HEAD CAP SCREW 1/4-20 X 1-1/2 LONG		4	4
64	HEX. HEAD CAP SCREW 1/4-20 X 3/4 LONG	8	5	6
65	HEX. HEAD CAP SCREW #8-32 X 1/2 LONG	2		2
66	ROUND HEAD WOOD SCREW #10 X 5/8 LONG		2	2
67	HEX. NUT 5/16-24 STD. SEE NOTE 8	4	6	4
68	HEX. NUT 1/4-20 STD.	4	7	10
69	HEX. NUT #8-32 STD.	2		6
70	LOCKWASHER S.A.E. REGULAR FOR 5/16 SCREW SEE NOTE 8	4	6	4
71	LOCKWASHER S.A.E. REGULAR FOR 1/4 SCREW	8	15	10
72	LOCKWASHER S.A.E. REGULAR FOR #8 SCREW	2		6
73	LOCKWASHER 1/4 I.E.T. SEE NOTE 7		6	
74	FLATWASHER STD. FOR 5/16 SCREW	4		
75	FLATWASHER 9/32 I.D. 3/4 O.D.		12	
76	FLATWASHER STD. FOR 1/4 SCREW			6
77	RUBBER WASHER		2	4
78	TERMINAL PER FIG. 15 SEE NOTE 10	1		
79	BONDSTRAP SEE NOTE 11		2	
80	INSULATOR IN-101		1	1
81	CLAMP NO. 7 PER FIG. 14		2	
82	COVER CW-41/U		1	
83	FLATWASHER 11/32 I.D. 3/4 O.D.	4		2
84	LOCKWASHER #8 I.E.T. SEE NOTE 7	1		

NOTES:

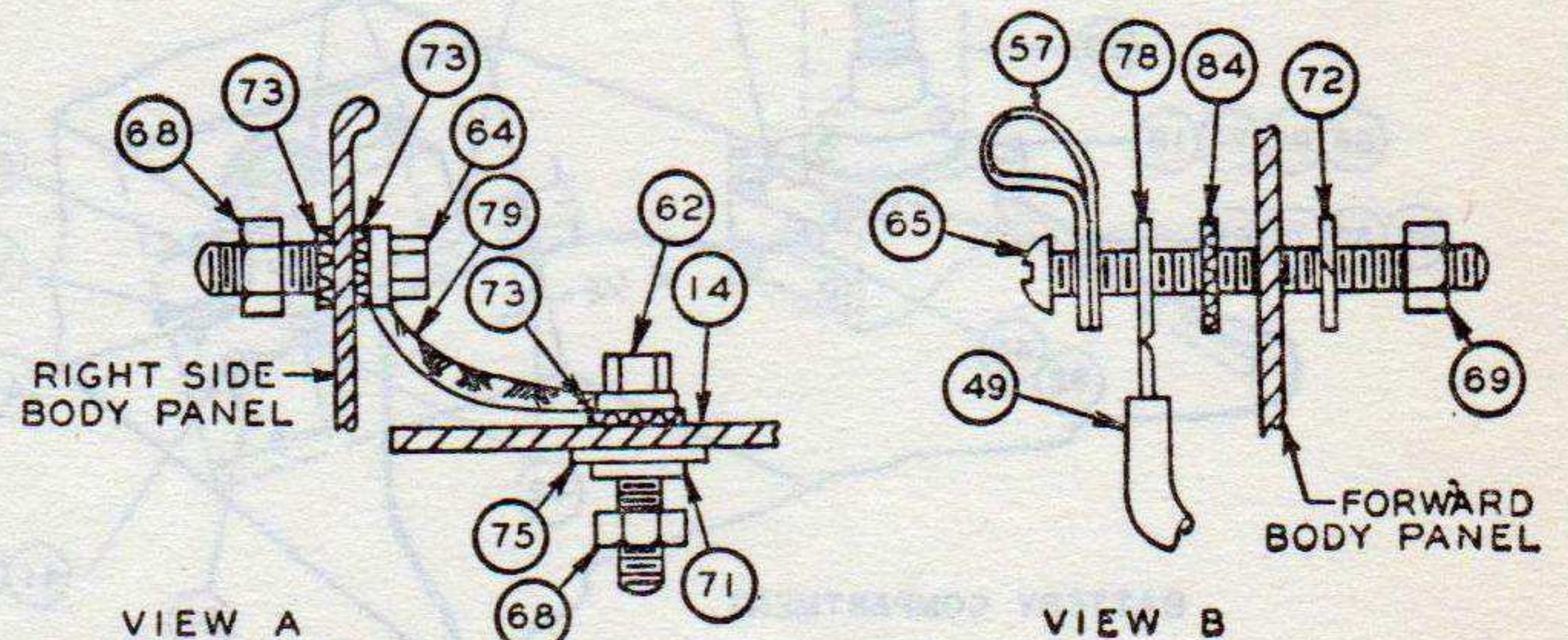
- FOR ADDITIONAL COMPONENTS AND SPARE PARTS, SEE COMPONENT PARTS LIST.
- UNLESS OTHERWISE SPECIFIED, DIMENSIONS ARE IN INCHES.
- (41) SHALL BE TAPED SECURELY TO REAR OF FRAME FM-89.
- (50) IS TO BE STOWED IN STOWAGE COMPARTMENT OF VEHICLE.
- (55) IS FURNISHED WITH (14)
- USE (33) AND (36) WHEN MAST SECTIONS ARE NOT INSTALLED.
- (73) AND (84) SHALL BE CAT. NO. 4014-22 AND 4008-14 RESPECTIVELY AS MADE BY ILLINOIS TOOL WORKS, CHICAGO, ILL., OR EQUAL.
- (31) AND ONE (25) ARE FURNISHED WITH THE VEHICLE BY THE MANUFACTURER.
- STRIP (48) AND (47) 1 IN. AT BOTH ENDS AND TIN.
- STRIP (49) 1 IN. AT BOTH ENDS. SECURELY SOLDER (78) TO ONE END AND TIN THE OTHER.
- (79) SHALL BE CAT. #C-S10S AS MADE BY THOMAS AND BETTS CO. ELIZABETH, N.J. OR EQUAL.

12. DRAWING REFERENCE:

INSTALLATION	FIG. NO.
SCR-506 AND RC-58	1
SCR-506	9
SCR-510 OR 610	11
SCR-608, 628, 508 OR 528	10
SCR-193-U	6
SCR-193-U AND 510	7
SCR-193-U, 510 AND RC-58	4 AND 5
SCR-284	8
SCR-193-U AND RC-58	3

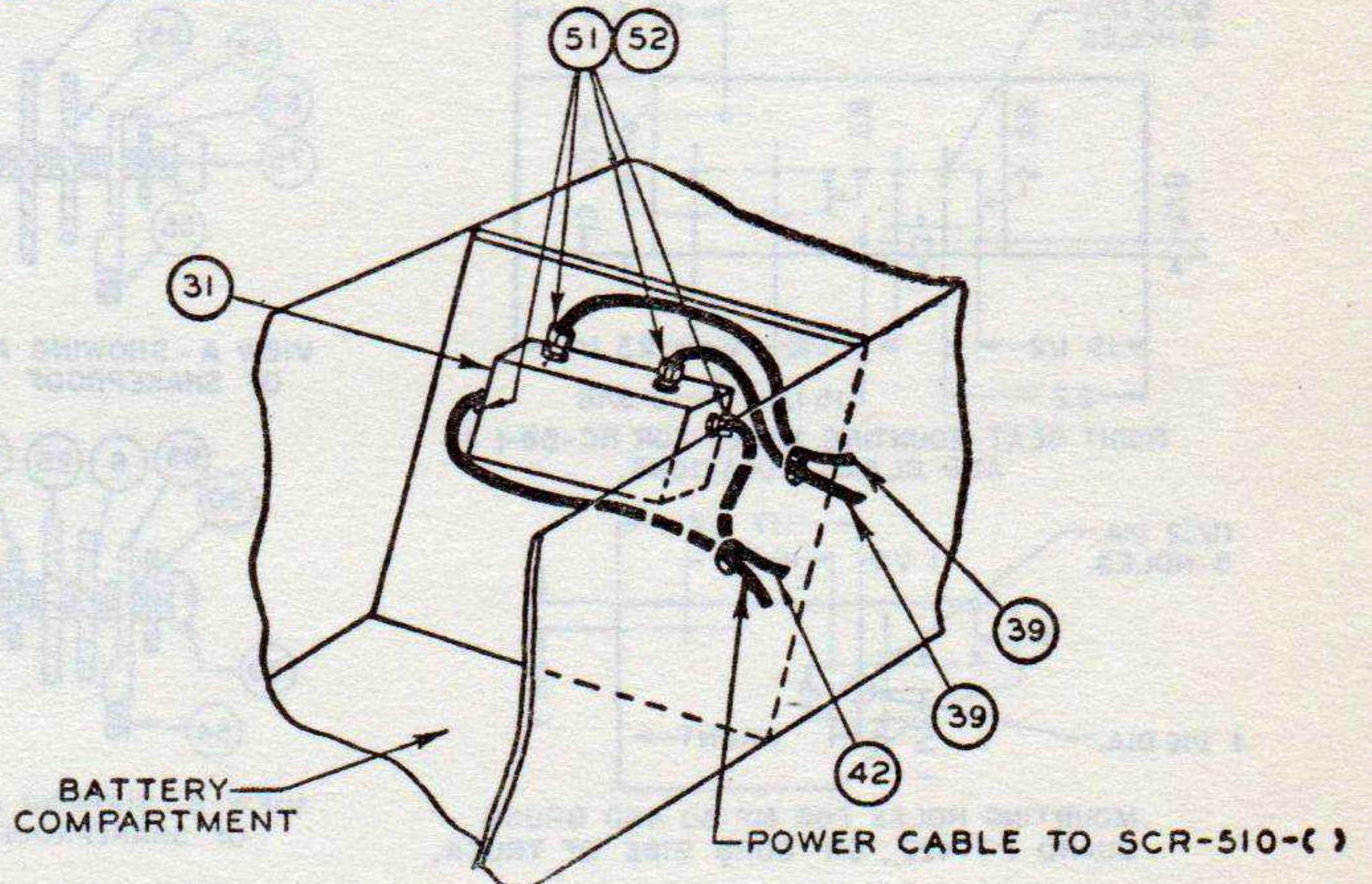


MOUNTING HOLES FOR FT-449 ON LEFT FRONT STOWAGE COMPARTMENT



VIEW A APPLICATION OF SHAKEDOWN WASHERS

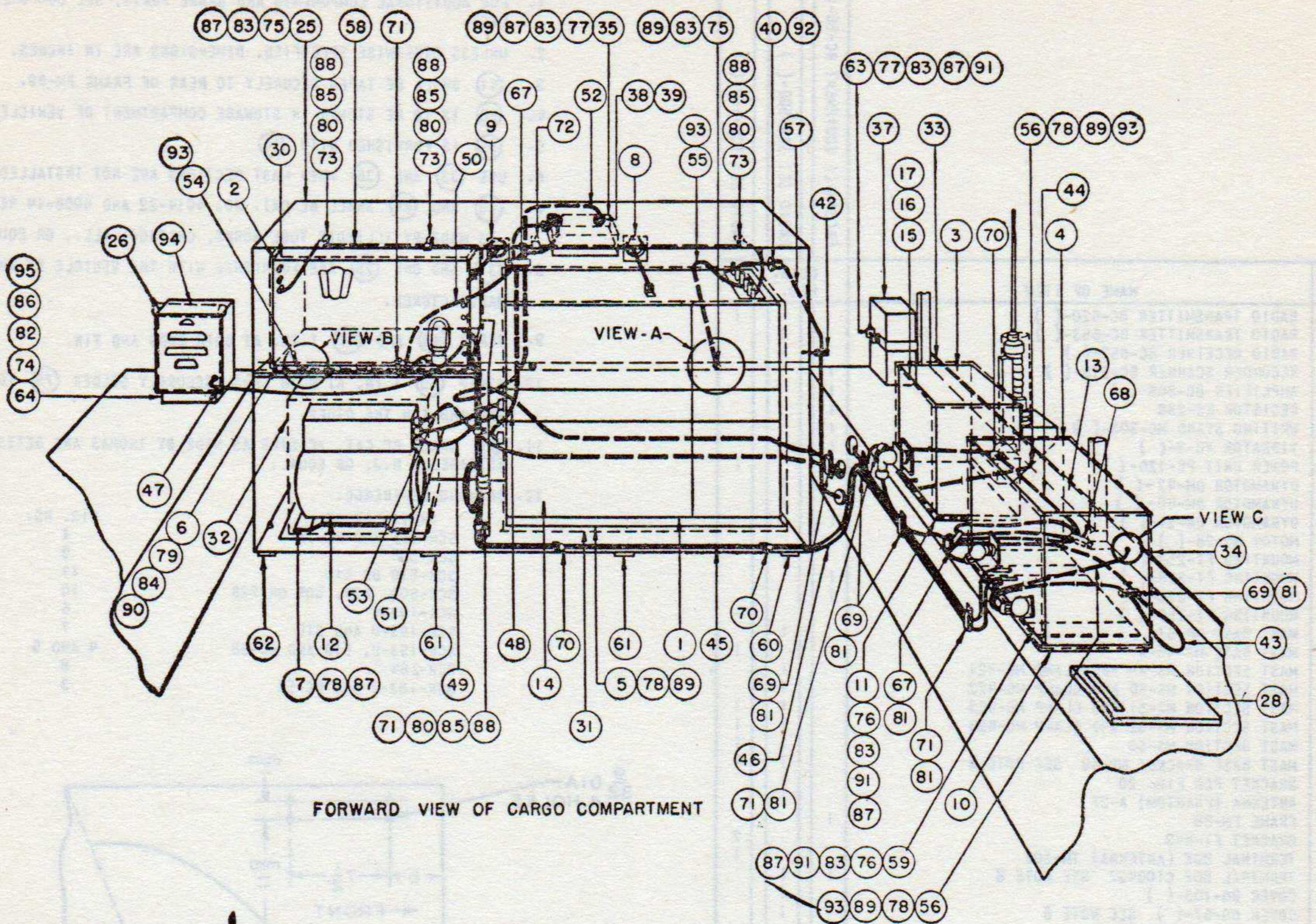
VIEW B



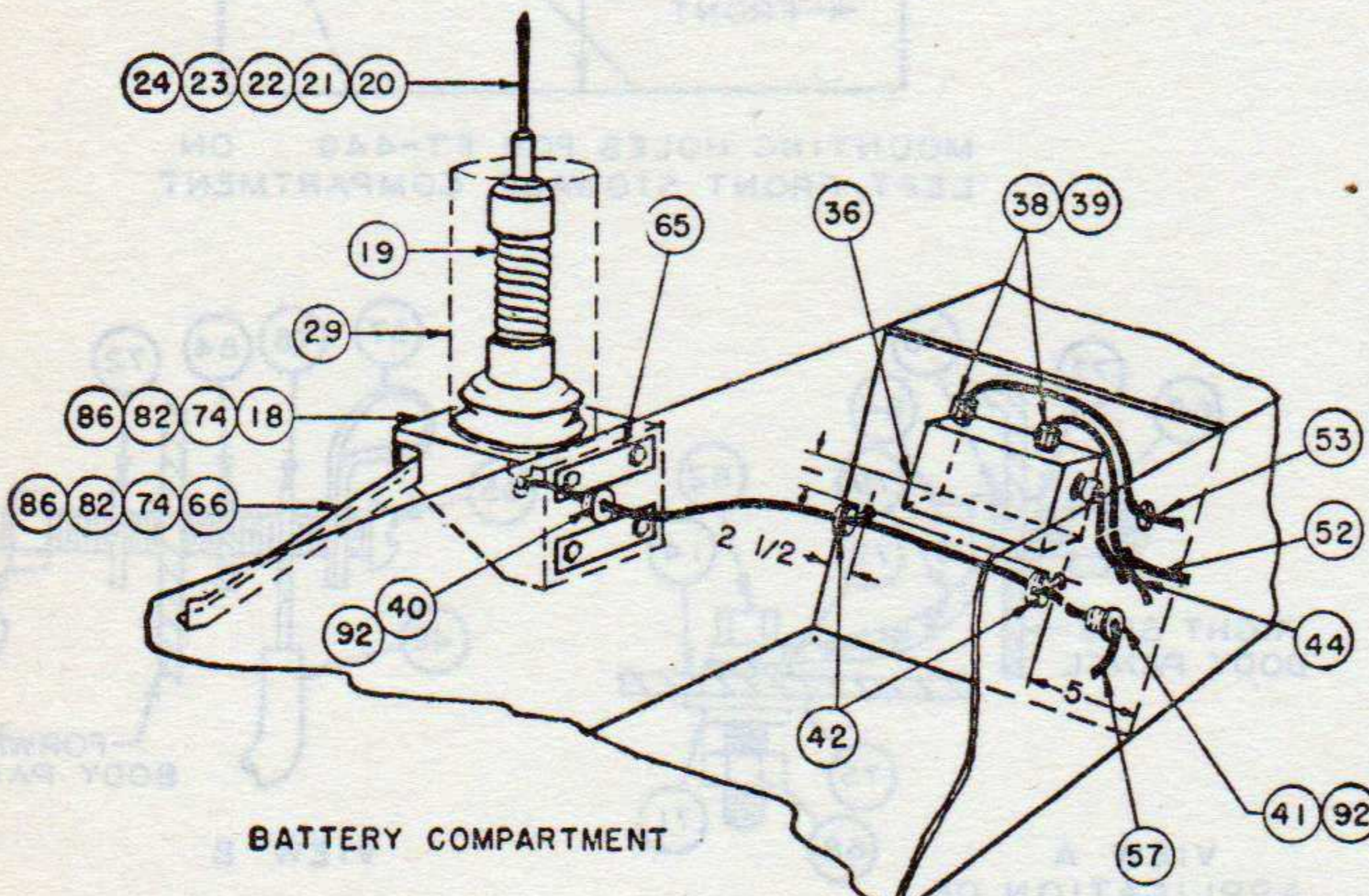
BATTERY COMPARTMENT

POWER CABLE TO SCR-510-()

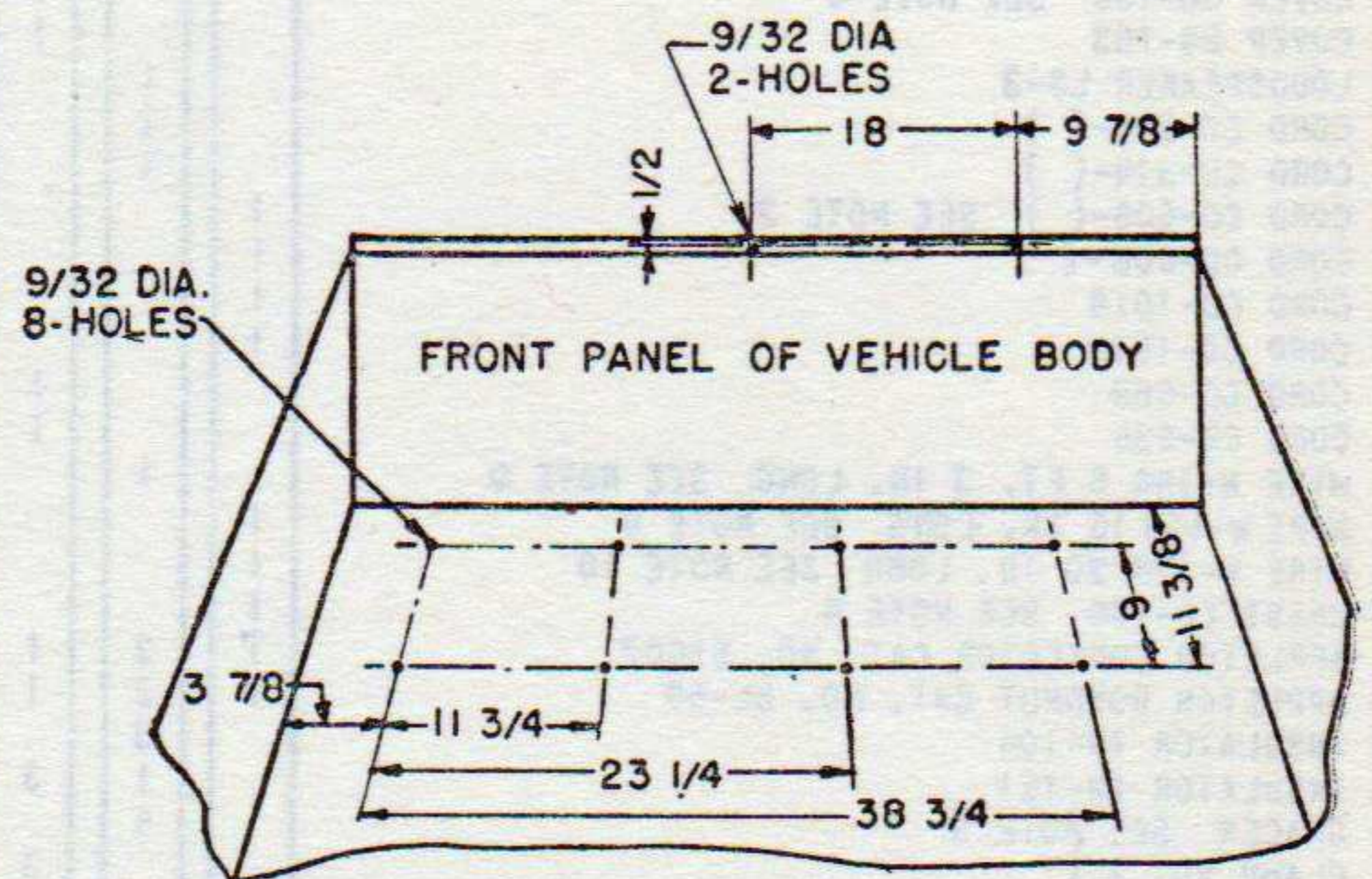
Set SCR-506-() and SCR-510-() in Truck, 3/4-ton, 4x4, Weapon Carrier (12-volt).



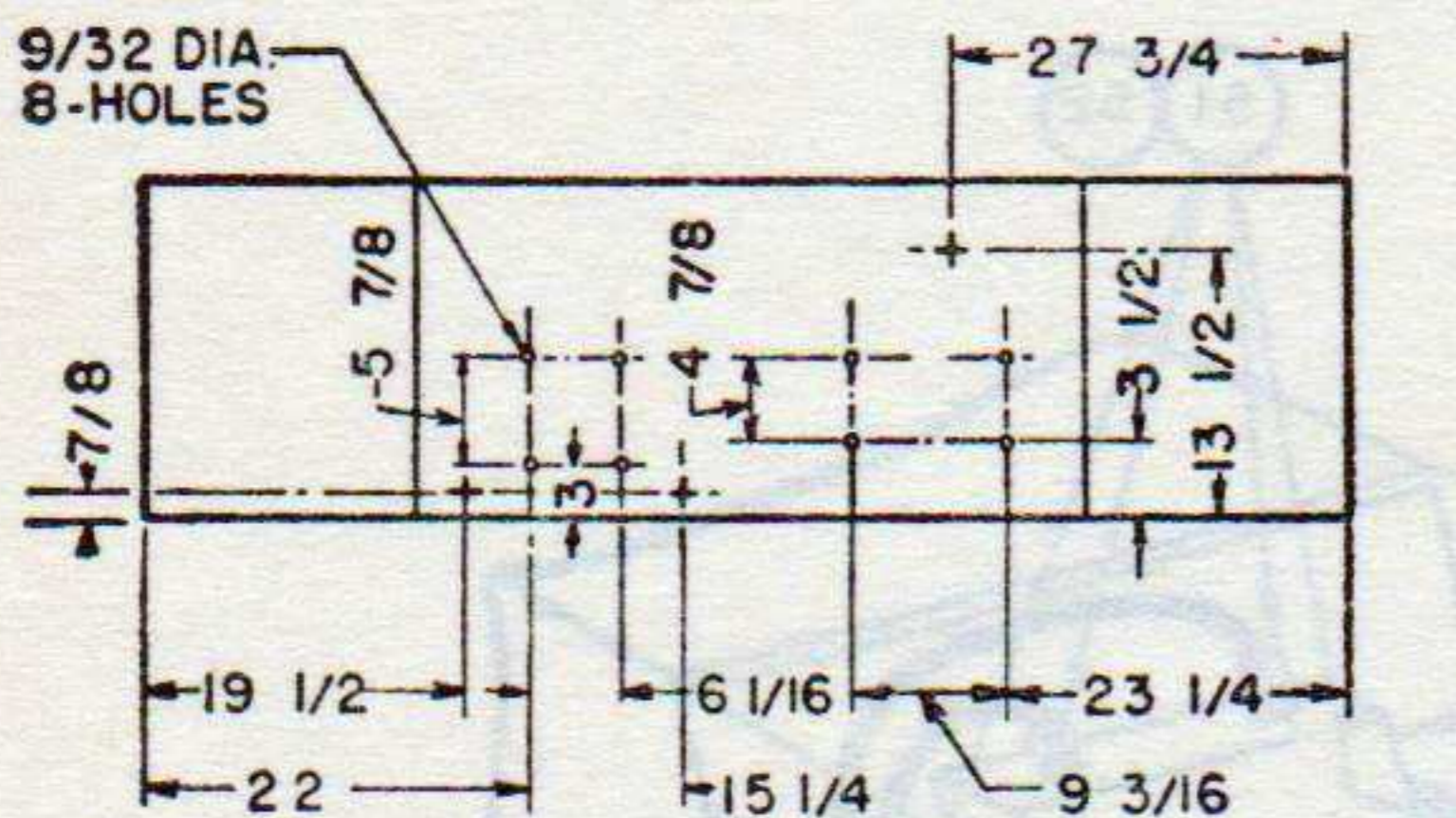
FORWARD VIEW OF CARGO COMPARTMENT



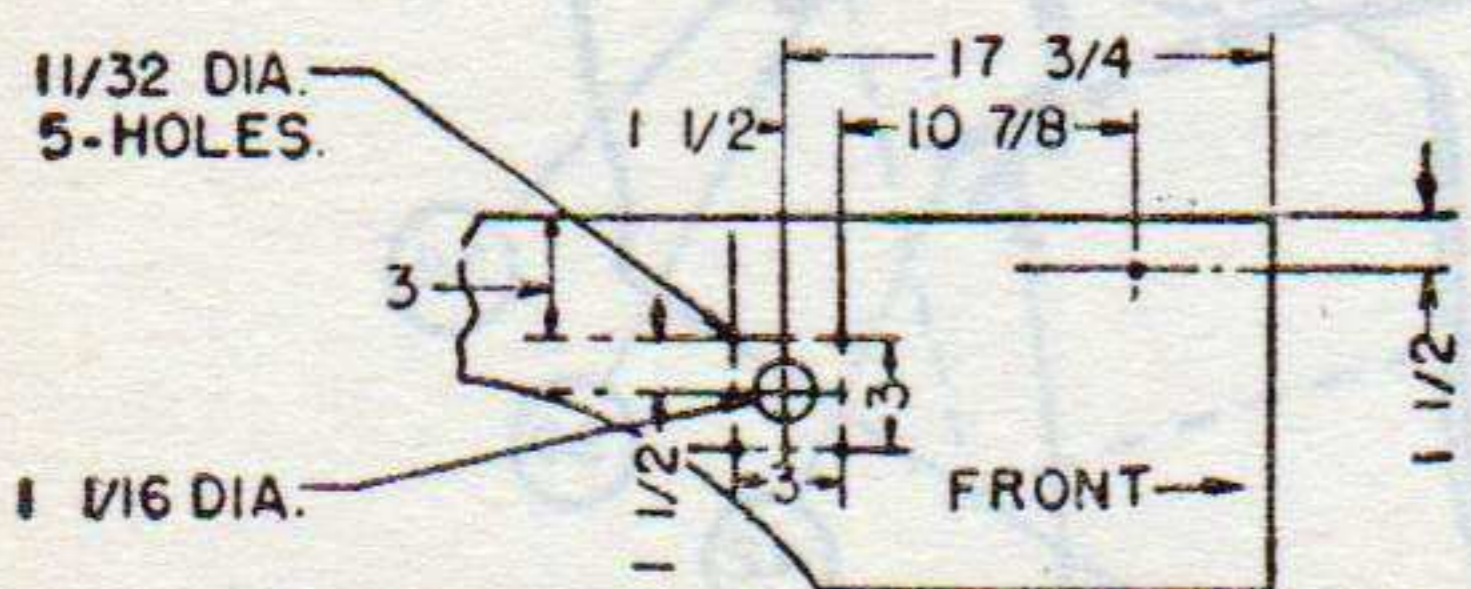
BATTERY COMPARTMENT



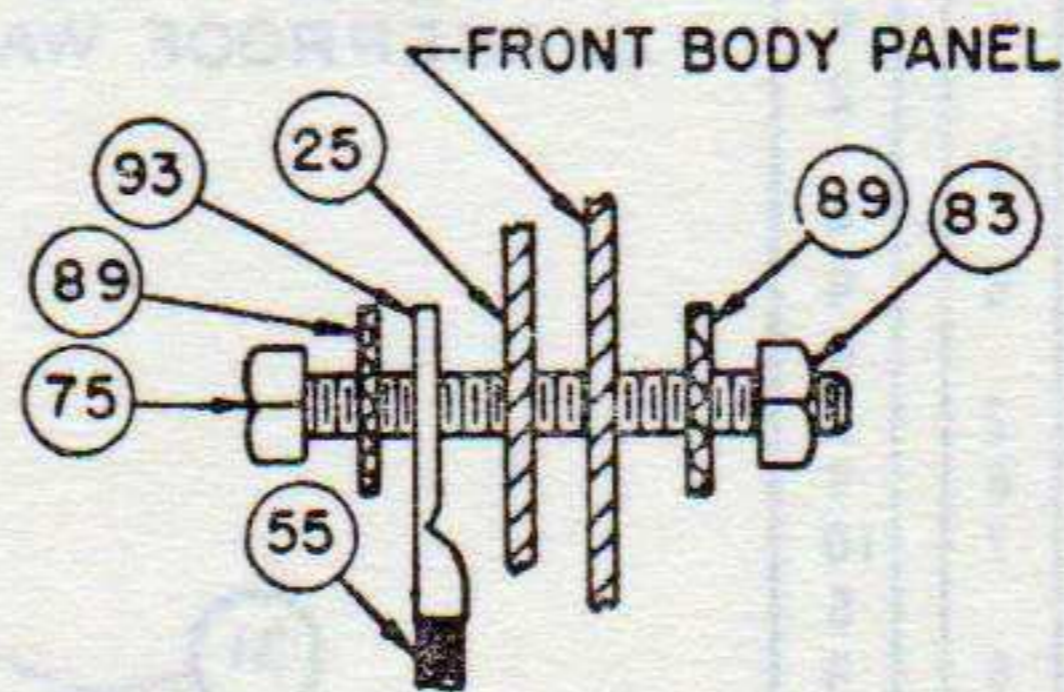
MOUNTING HOLES FOR CHEST CH-153 USE MOUNTING HOLES ON FRONT PANEL AS TEMPLATE FOR DRILLING CHEST CH-153



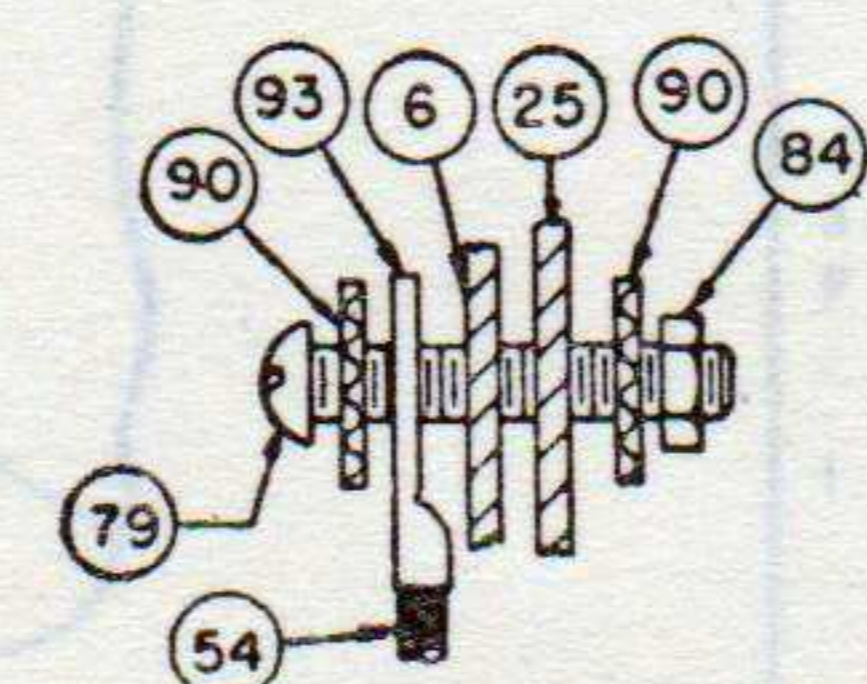
RIGHT SEAT MOUNTING HOLES FOR RC-58-() AND CLAMP LOCATIONS.



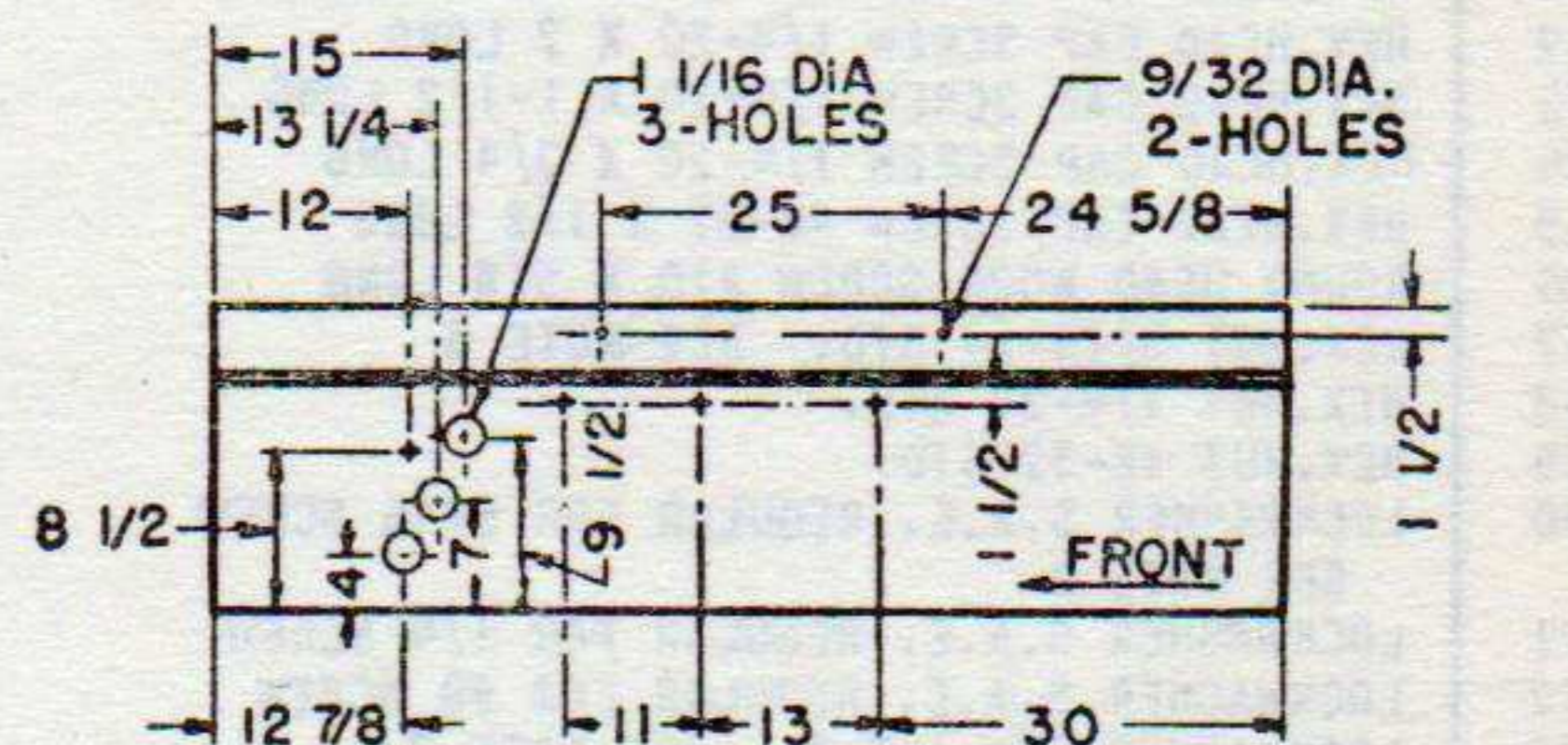
MOUNTING HOLES FOR MP-50 AND BRUSH GUARD FT-422, ON CURB SIDE OF TRUCK.



VIEW A - SHOWING APPLICATION OF SHAKEPROOF WASHER



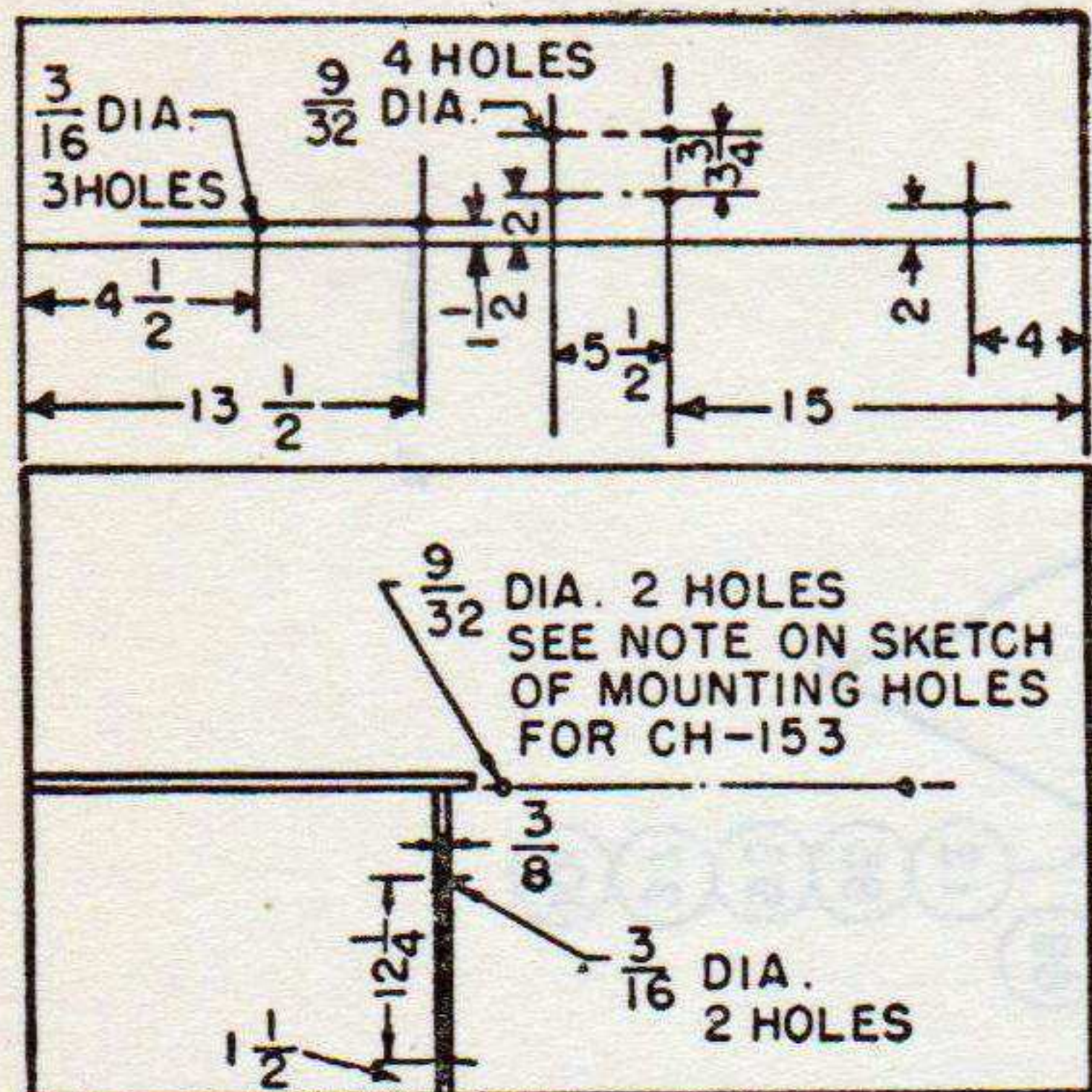
VIEW B - SHOWING APPLICATION OF SHAKEPROOF WASHERS



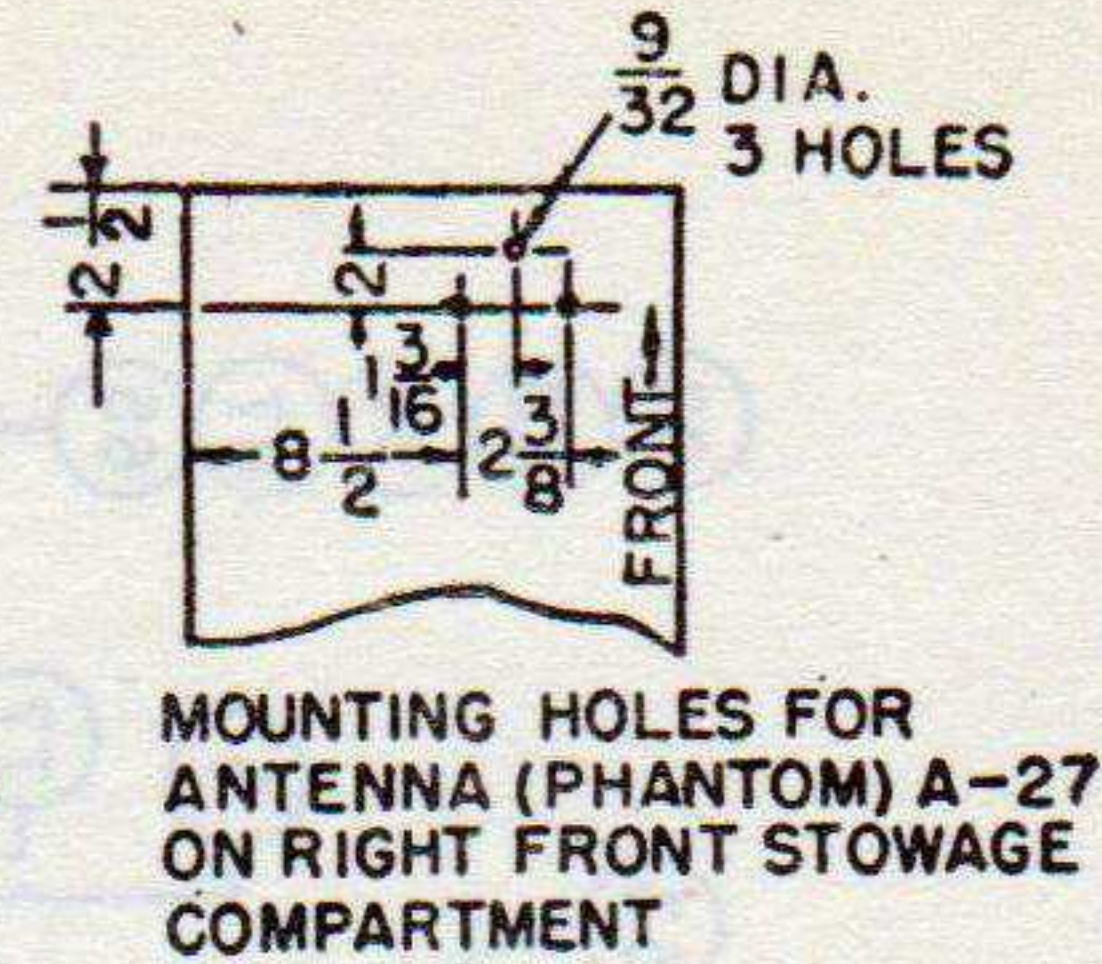
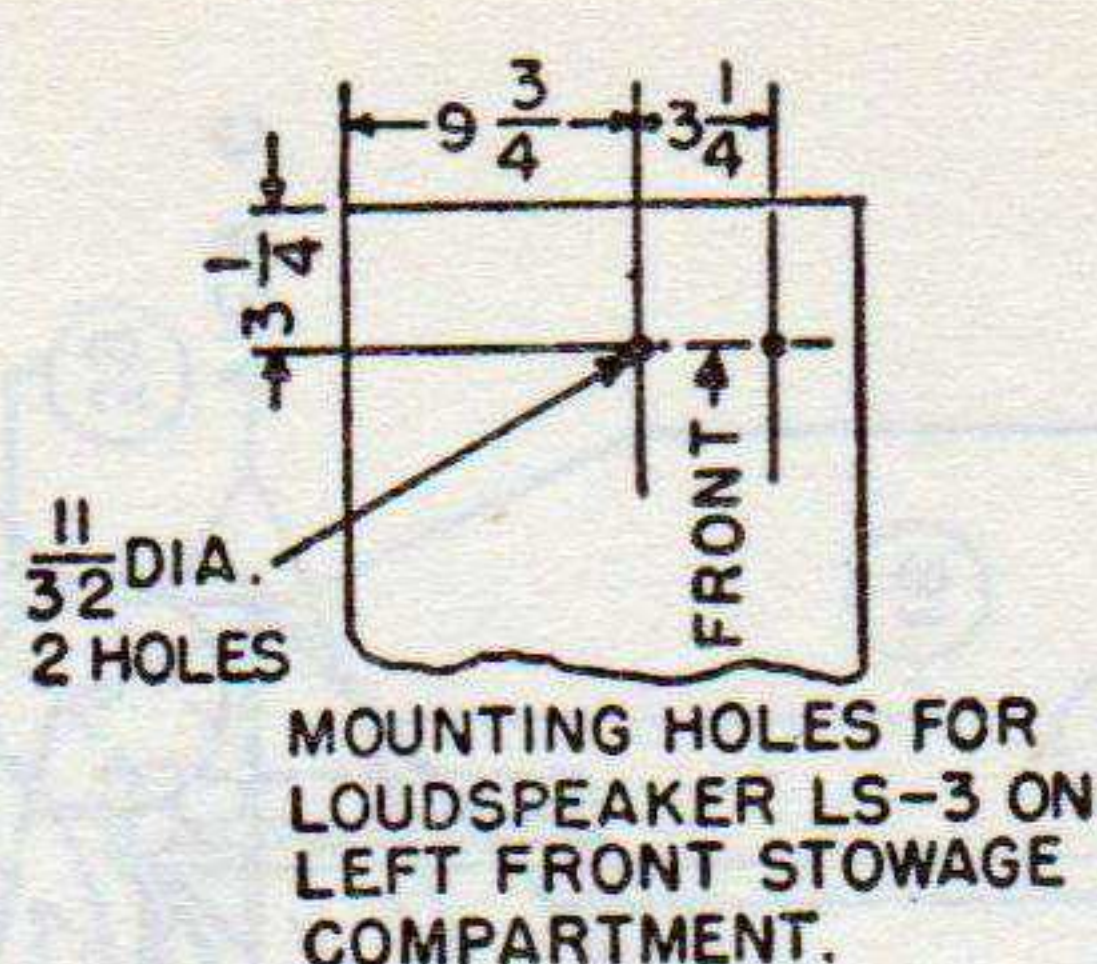
MOUNTING HOLES FOR RC-58 BONDING STRAPS, LOCATIONS OF CORD AND INSULATOR HOLES AND CLAMPS.

TL 15965-1

Figure 3. Installation of Facsimile Equipment RC-58-() in combination

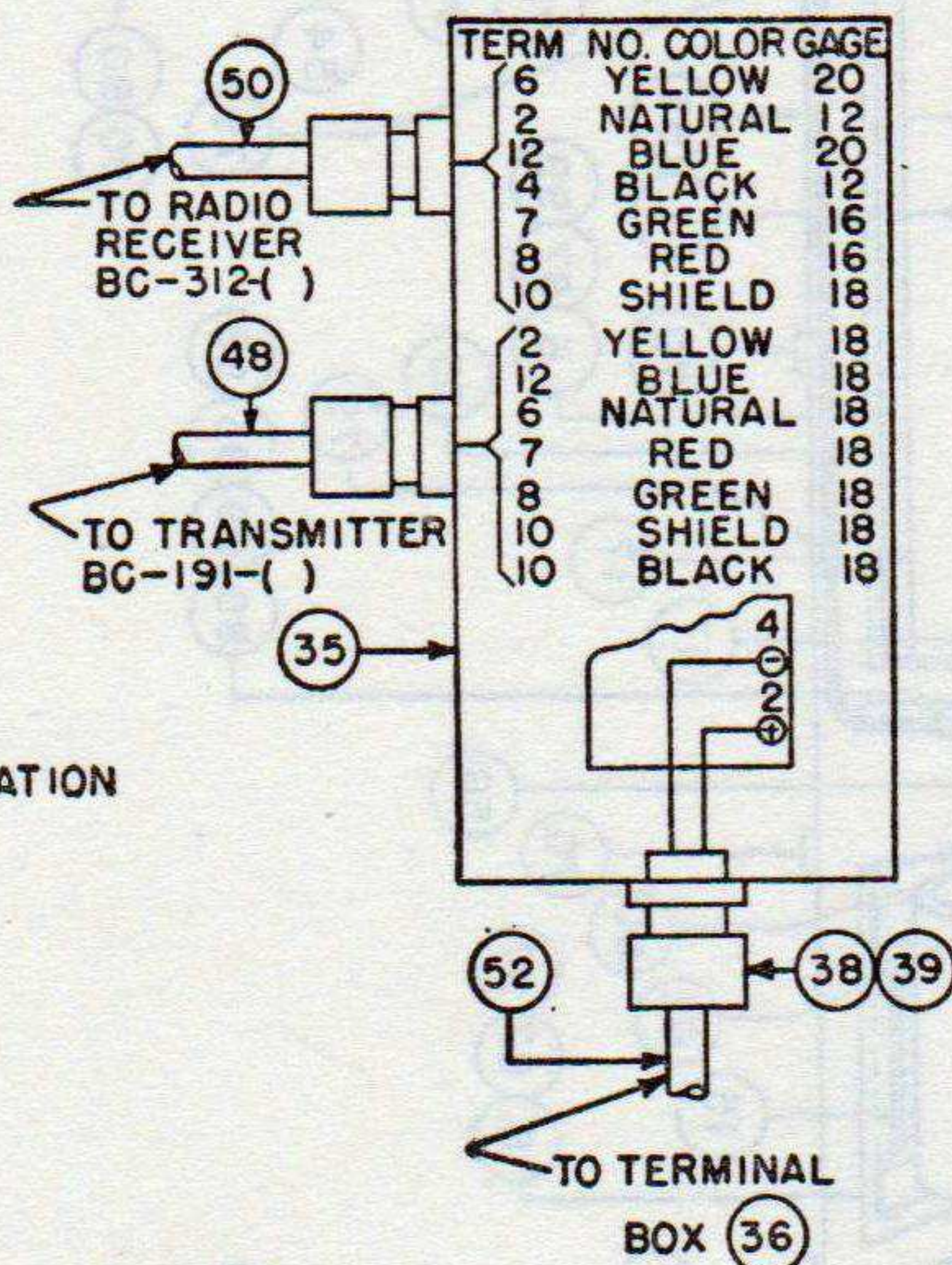
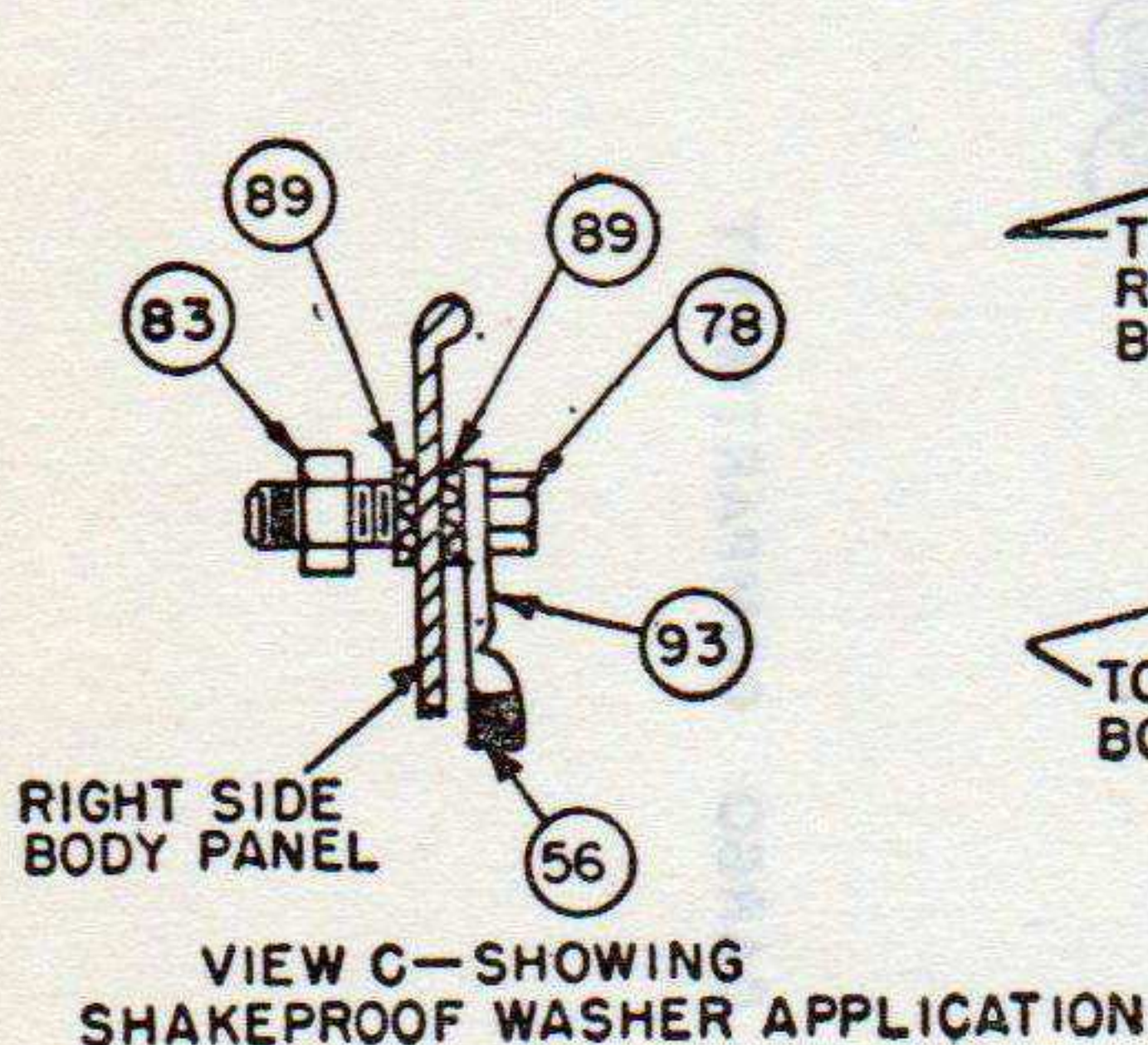


MOUNTING HOLES IN CHEST CH-153, FOR CLAMPS, JUNCTION BOX TM-188 AND INSULATORS.



MOUNTING HOLES FOR LOUDSPEAKER LS-3 ON LEFT FRONT STOWAGE COMPARTMENT.

MOUNTING HOLES FOR ANTENNA (PHANTOM) A-27 ON RIGHT FRONT STOWAGE COMPARTMENT



NOTES:

- FOR ADDITIONAL COMPONENTS AND SPARE PARTS, SEE COMPONENT PARTS LIST.
- UNLESS OTHERWISE SPECIFIED DIMENSIONS ARE IN INCHES.
- (36) IS FURNISHED WITH THE VEHICLE BY THE MANUFACTURER.
- STRIP AND TIN EACH END OF (57) AND (58) BEFORE INSTALLING.
- STRIP (55) (54) (56) 1 IN. AT BOTH ENDS. SECURELY SOLDER (93) TO ONE END, TIN THE OTHER.
- USE (29) WHEN THE MAST SECTIONS ARE NOT INSTALLED.
- (27) AND (28) ARE TO BE STOWED IN THE STOWAGE COMPARTMENT.
- (90) SHALL BE PLACED UNDER THE HEAD OF (75) AND BETWEEN THE BODY PANEL AND (84), USE THE HOLES ON BODY PANEL AS TEMPLATE FOR DRILLING (25).
- (67) IS MOUNTED WITH ONE 10-32 X 1 INCH SCREW THAT MOUNTS (9) TO (25).
- DRAWING REFERENCE:

INSTALLATION	FIG. NO.
SCR-506 AND RC-58	1
SCR-506	9
SCR-510 OR 610	11
SCR-608, 628, 508 OR 528	10
SCR-193-U	6
SCR-193-U AND 510	7
SCR-193-U, 510 AND RC-58	5
SCR-506, 510 AND RC-58	2
SCR-284	8
- WHEN (19) IS NOT INSTALLED USE MAST BASE MP-37.
- ONE (18) IS FURNISHED WITH THE VEHICLE BY THE MANUFACTURER.
- (89) AND (90) SHALL BE CAT. NO. 4014-22 AND 4010-18 RESPECTIVELY AS MADE BY ILLINOIS TOOL WORKS, CHICAGO, ILL., OR EQUAL.

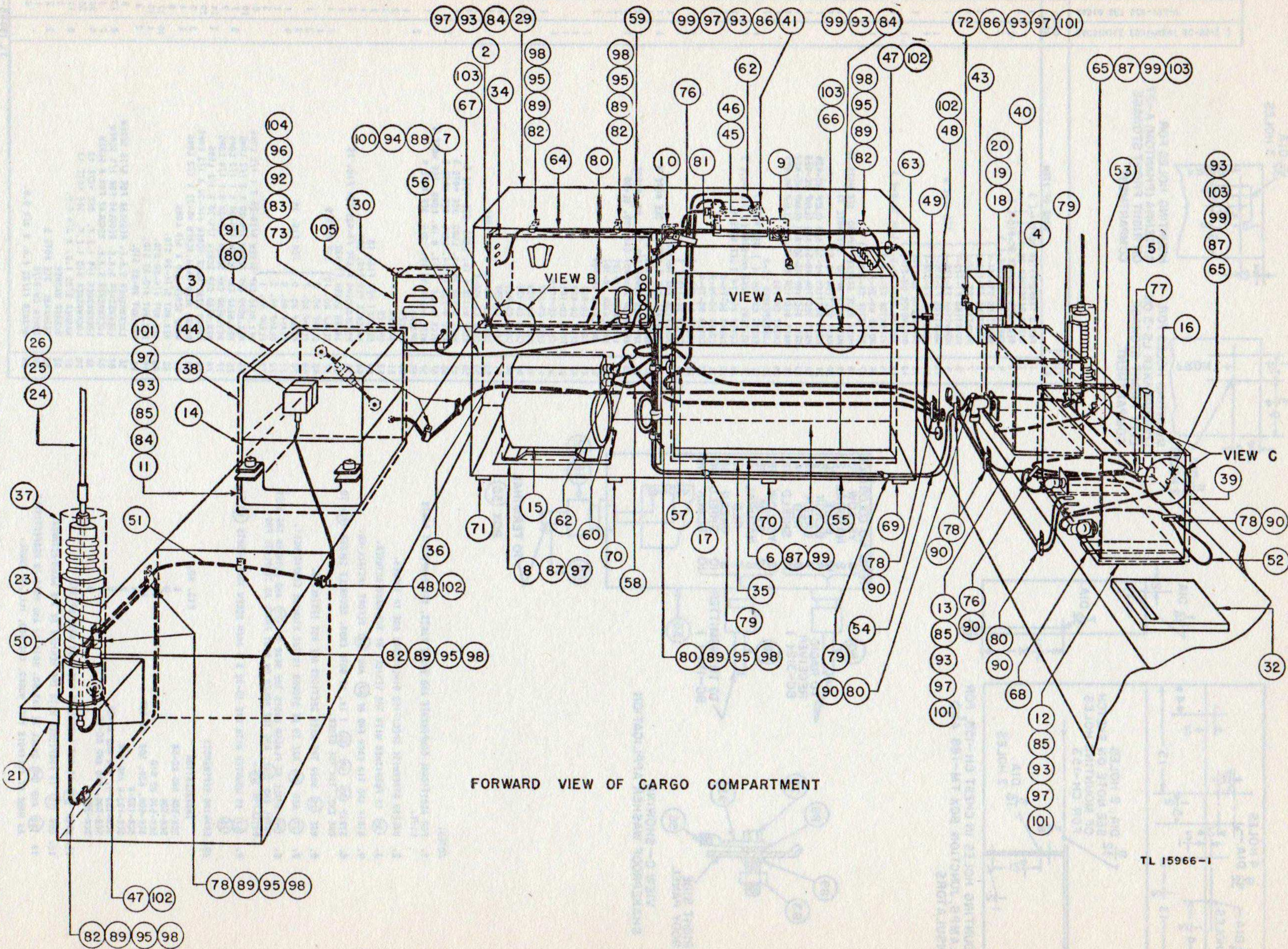
ITEM NO.	NAME OF ITEM	QUAN. REQ.
1	RADIO TRANSMITTER BC-191-()	1
2	RADIO RECEIVER BC-312-()	1
3	RECORDER SCANNER BC-918-()	1
4	AMPLIFIER BC-908-()	1
5	MOUNTING FT-151-()	1
6	MOUNTING FT-162-()	1
7	MOUNTING FT-107-()	1
8	MOUNTING FT-172-()	1
9	MOUNTING FT-178-()	SEE NOTE 9
10	MOUNTING FT-318-()	1
11	MOUNTING FT-328-()	1
12	DYNAMOTOR BD-77-()	1
13	DYNAMOTOR DM-21-()	1
14	TUNING UNIT TU-5-() OR TU-6-()	1
15	VISORATOR V8-3-()	1
16	MOTOR MO-28-()	1
17	RESISTOR RS-288-()	1
18	MAST BASE BRACKET MP-50	SEE NOTE 12
19	MAST BASE MP-57	SEE NOTE 11
20	MAST SECTION MS-53	1
21	MAST SECTION MS-52 AND CLAMP MC-424	1
22	MAST SECTION MS-51 AND CLAMP MC-423	1
23	MAST SECTION MS-50 AND CLAMP MC-422	1
24	MAST SECTION MS-49 AND CLAMP MC-421	1
25	CHEST CH-153	1
26	LOUDSPEAKER LS-3	1
27	CHEST CH-108-()	SEE NOTE 7
28	WRITING STAND MC-308-()	SEE NOTE 7
29	COVER BG-67-()	SEE NOTE 6
30	COVER BG-75-A	1
31	COVER BG-78-A	1
32	COVER BG-79-A	1
33	COVER BG-128-()	1
34	COVER BG-118-()	1
35	JUNCTION BOX TM-188	1
36	TERMINAL BOX C-100427	SEE NOTE 3
37	ANTENNA (PHANTOM) A-27	1
38	APPLETON CONNECTOR CAT. NO. 61007	2
39	APPLETON BONDNUIT CAT. NO. BL-50	2
40	INSULATOR IN-121	2
41	INSULATOR IN-101	1
42	INSULATOR IN-104	3
43	CORD CD-606	1
44	CORD CD-608	1
45	CORD CD-1018	1
46	CORD CD-1019	1
47	CORD CD-267	1
48	CORD CD-359	1
49	CORD CD-424	1
50	CORD CD-422	1
51	CORD CD-237	1
52	CORDAGE CO-131 8 FT. LONG	1
53	CORD CO-260-A	1
54	WIRE W-128 6 IN. LONG	SEE NOTE 5
55	WIRE W-128 16 IN. LONG	SEE NOTE 5
56	WIRE W-128 18 IN. LONG	SEE NOTE 5
57	WIRE W-128 4 FT. 8 IN. LONG	SEE NOTE 4
58	WIRE W-128 46 IN. LONG	SEE NOTE 4
59	SPACER	1
60	SPACER	1
61	SPACER	2
62	SPACER	1
63	BRACKET PER FIG. 18	1
64	BRACKET PER FIG. 20	1
65	REINFORCING PLATE FT-429 PER FIG. 15	2
66	BRUSH GUARD FT-422	1
67	CLAMP NO. 10	SEE NOTE 9
68	CLAMP NO. 8	1
69	CLAMP NO. 7	3
70	CLAMP NO. 5	3
71	CLAMP NO. 4	4
72	CLAMP NO. 2	1
73	CLAMP NO. 1	3
74	HEX. HEAD CAP SCREW 5/16-24 X 1 1/2 LONG	8
75	HEX. HEAD CAP SCREW 1/4-20 X 2 1/2 LONG	10
76	HEX. HEAD CAP SCREW 1/4-20 X 1 1/2 LONG	7
77	HEX. HEAD CAP SCREW 1/4-20 X 1 1/4 LONG	7
78	HEX. HEAD CAP SCREW 1/4-20 X 1/2 LONG	2
79	ROUND HEAD MACH. SCREW #10-32 X 1/2 LONG	14
80	ROUND HEAD MACH. SCREW #8-32 X 1/2 LONG	2
81	WOOD SCREW #10 X 5/8 LONG	3
82	HEX. NUT 5/16-24 STD.	6
83	HEX. NUT 1/4-20 STD.	8
84	HEX. NUT #10-32 STD.	10
85	HEX. NUT #8-32 STD.	17
86	LOCKWASHER S.A.E. REGULAR FOR 5/16 SCREW	2
87	LOCKWASHER S.A.E. REGULAR FOR 1/4 SCREW	3
88	LOCKWASHER S.A.E. REGULAR FOR 8 SCREW	2
89	LOCKWASHER 1/4 I.E.T. SEE NOTE 13	4
90	LOCKWASHER #10 I.E.T. SEE NOTE 13	26
91	WASHER 9/32 I.D. X 3/4 O.D.	20
92	RUBBER WASHER	8
93	TERMINAL SEE NOTE 5	11
94	COVER CW-41/U	3
95	WASHER 11/32 I.D. X 3/4 O.D.	2

FACSIMILE EQUIPMENT RC-58-()
 RADIO SET SCR-193-U

with Radio Set SCR-193-U in Truck, 3/4-ton, 4x4, Weapon Carrier (12-volt).

RESTRICTED

TL 15966-1



FORWARD VIEW OF CARGO COMPARTMENT

Figure 4. Installation of Facsimile Equipment RC-58- () in combination with Radio Set

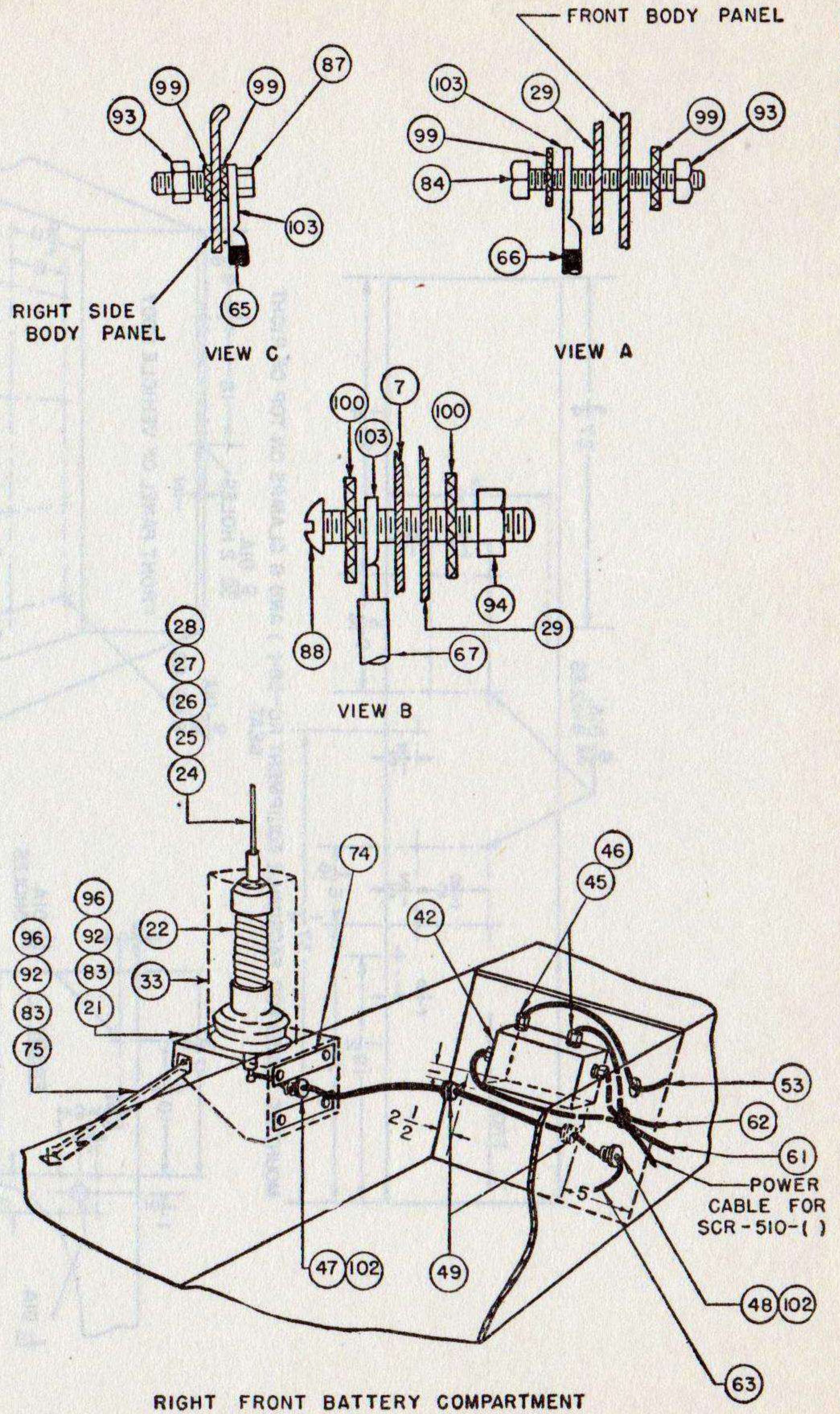
RESTRICTED

ITEM NO.	NAME OF ITEM	QUAN. REQ.	FACSIMILE EQUIPMENT RC-58	
			RADIO SET SCR-510- ()	RADIO SET SCR-193-U
1	RADIO TRANSMITTER BC-191- ()	1		
2	RADIO RECEIVER BC-312- ()	1		
3	RADIO RECEIVER AND TRANSMITTER BC-620- ()	1		
4	RECORDER SCANNER BC-918- ()	1		
5	AMPLIFIER BC-908- ()	1		
6	MOUNTING FT-151- ()	1		
7	MOUNTING FT-162- ()	1		
8	MOUNTING FT-107- ()	1		
9	MOUNTING FT-172- ()	1		
10	MOUNTING FT-178- ()	1		
11	MOUNTING FT-250- ()	1		
12	MOUNTING FT-318- ()	1		
13	MOUNTING FT-328- ()	1		
14	POWER UNIT PE-120- ()	1		
15	DYNAMOTOR BD-77- ()	1		
16	DYNAMOTOR DM-21- ()	1		
17	TUNING UNIT TU-5- () OR TU-6- ()	1		
18	VIBRATOR VB-3- ()	1		
19	MOTOR MO-28- ()	1		
20	RESISTOR RS-288- ()	1		
21	MAST BASE BRACKET MP-50 SEE NOTE #4	1		
22	MAST BASE MP-57	1		
23	MAST BASE AB-15/GR SEE NOTE #12	1		
24	MAST SECTION MS-53	1		
25	MAST SECTION MS-52 AND CLAMP MC-424	1		
26	MAST SECTION MS-118 OR MS-51 AND CLAMP MC-423	1		
27	MAST SECTION MS-117 OR MS-50 AND CLAMP MC-422	1		
28	MAST SECTION MS-116 OR MS-49 AND CLAMP MC-421	1		
29	CHEST CH-153	1		
30	LOUDSPEAKER LS-3,	1		
31	CHEST CA-108- () SEE NOTE #5	1		
32	WRITING STAND MC-308- () SEE NOTE #5	1		
33	COVER BG-67- () SEE NOTE #10	1		
34	COVER BG-75-A	1		
35	COVER BG-78-A	1		
36	COVER BG-79-A	1		
37	COVER BG-108- () SEE NOTE #10	1		
38	COVER BG-153	1		
39	COVER BG-128- ()	1		
40	COVER BG-118- ()	1		
41	JUNCTION BOX TM-188	1		
42	TERMINAL BOX C-100427 SEE NOTE #4	1		
43	ANTENNA (PHANTOM) A-27	1		
44	TERMINAL BOX (ANTENNA) TM-206	1		
45	APPLETON CONNECTOR CAT. #61007	1		
46	APPLETON BONDNUT CAT. #BL-50	2		
47	INSULATOR IN-121 SEE NOTE #14	2		
48	INSULATOR IN-101 SEE NOTE #14	1		
49	INSULATOR IN-104	3		
50	CORD CD-689	1		
51	CORD CG-67/MRQ-2 SEE NOTE #13	1		
52	CORD CD-605- ()	1		
53	CORD CD-608- ()	1		
54	CORD CD-1018	1		
55	CORD CD-1019	1		
56	CORD CD-267	1		
57	CORD CD-359	1		
58	CORD CD-424	1		
59	CORD CD-422	1		
60	CORD CD-257	1		
61	CORD CD-260	1		
62	CORDAGE CO-131 8 FT. LONG	1		
63	WIRE W-128 4 FT. 8 IN. LONG SEE NOTE #8	1		
64	WIRE W-128 46 IN. LONG SEE NOTE #8	1		
65	WIRE W-128 18 IN. LONG SEE NOTE #9	2		
66	WIRE W-128 16 IN. LONG SEE NOTE #9	1		
67	WIRE W-128 6 IN. LONG SEE NOTE #9	1		
68	SPACER,	2		
69	SPACER	1		
70	SPACER	2		
71	SPACER	1		
72	BRACKET PER FIG. 18	1		

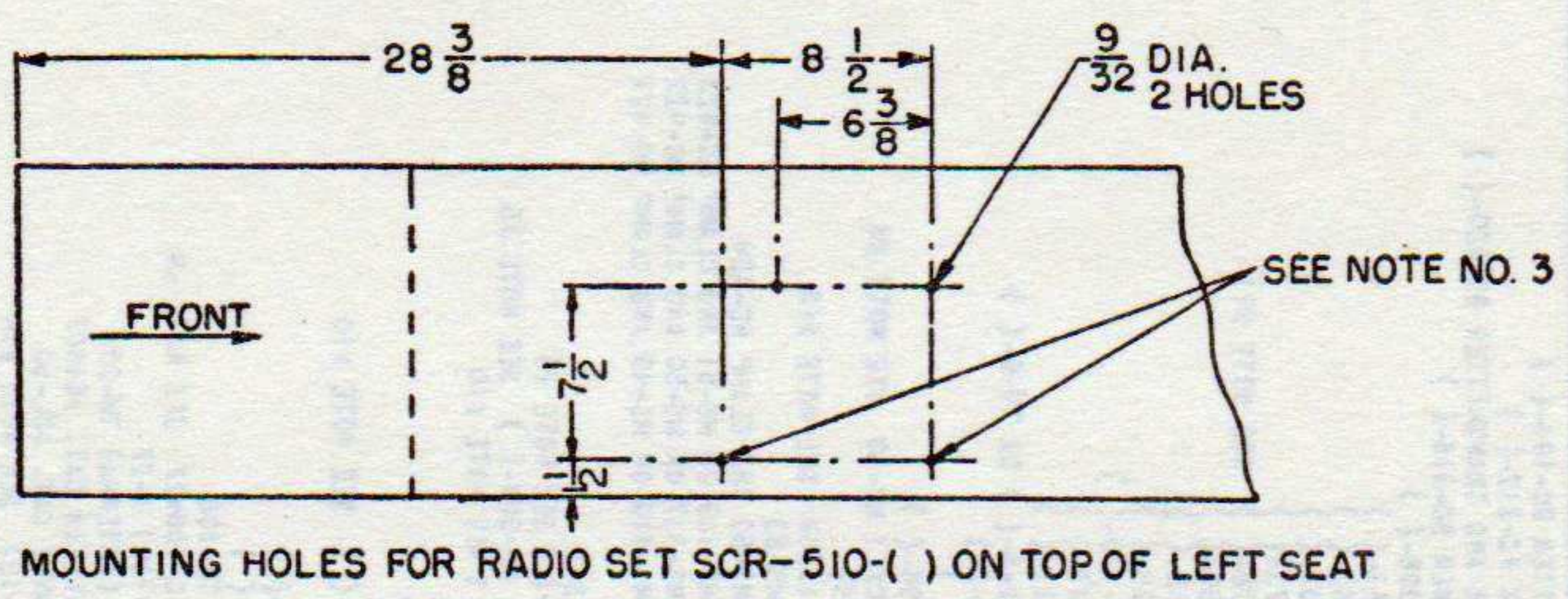
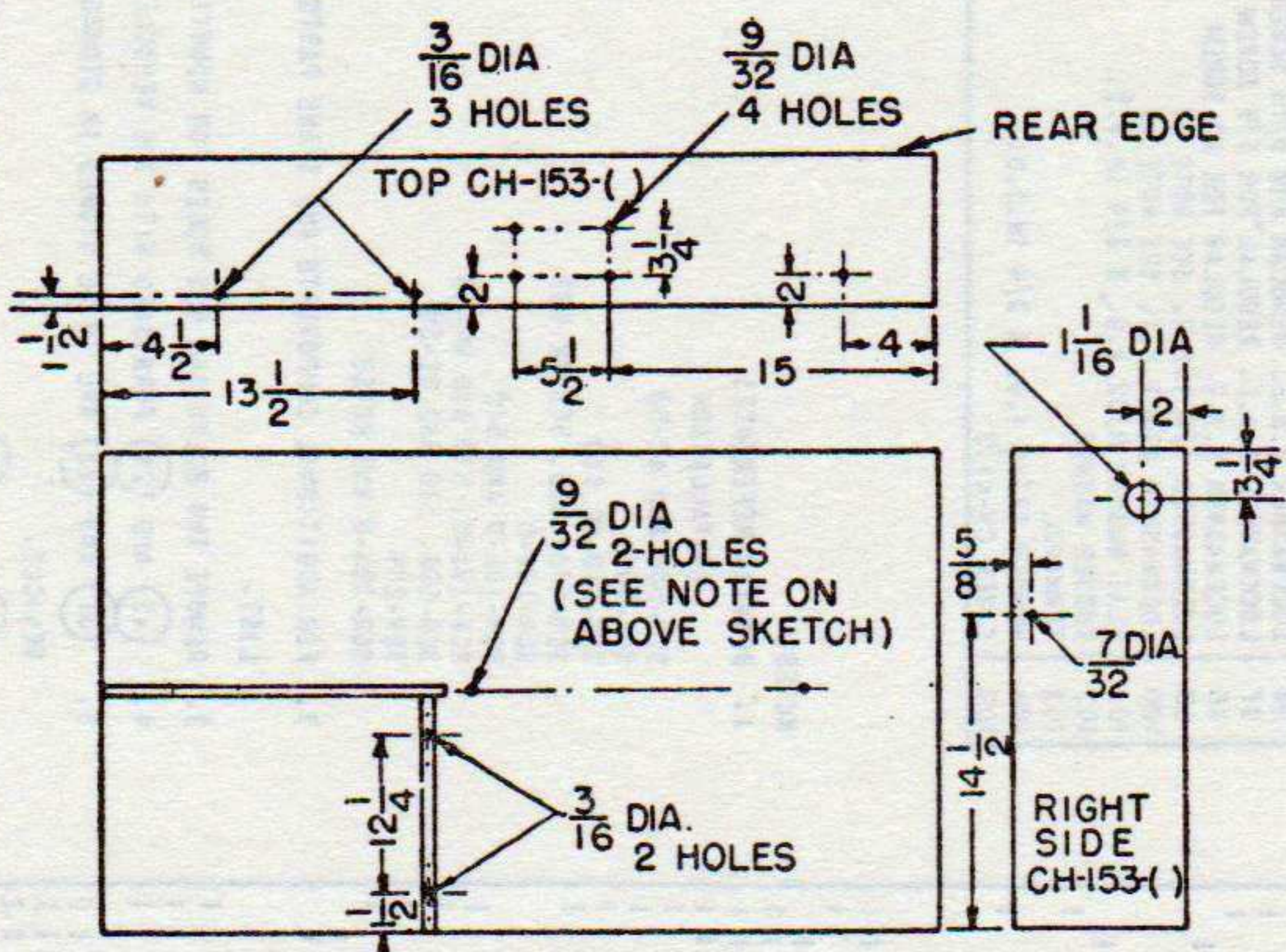
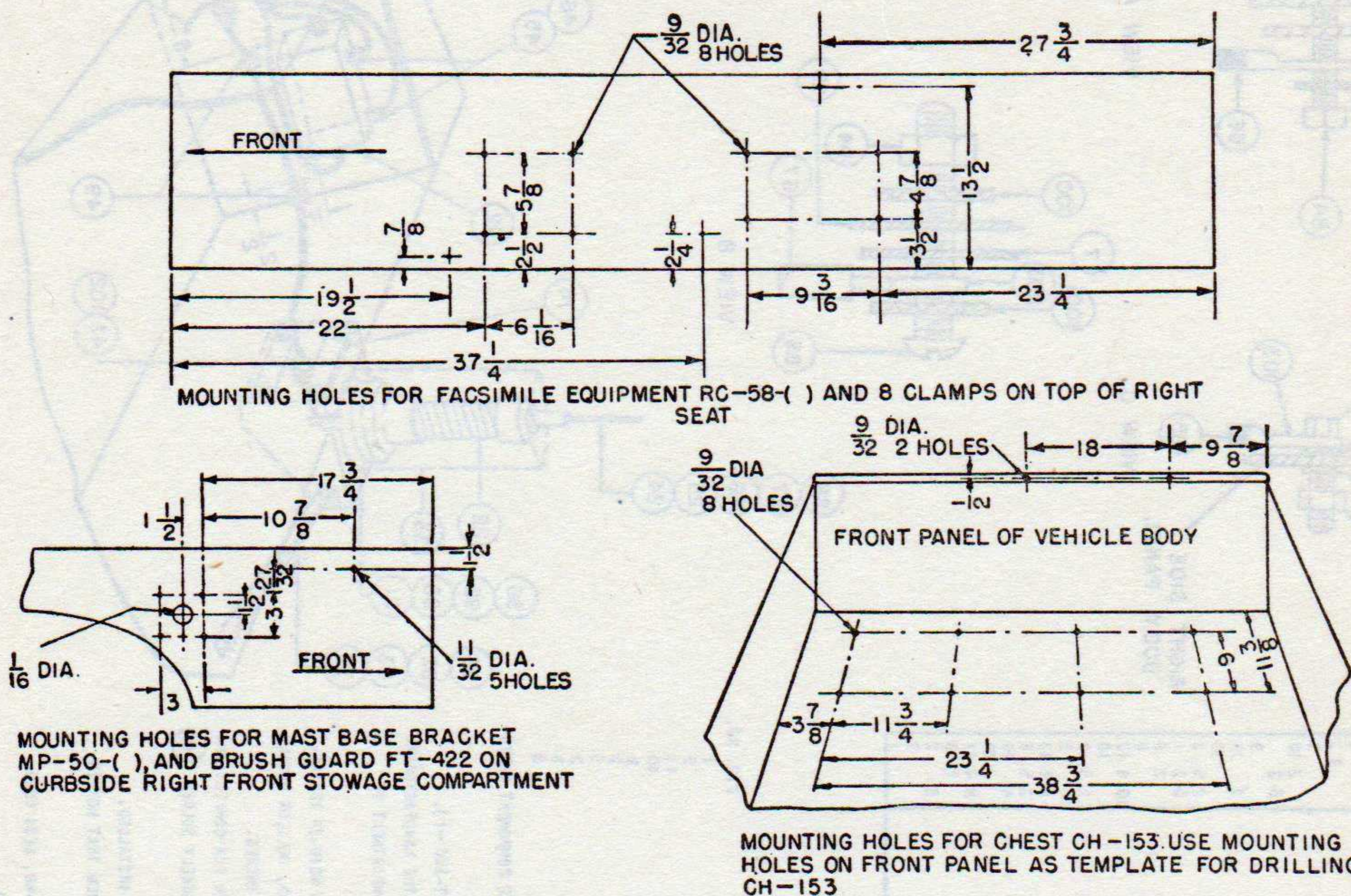
73	BRACKET PER FIG. 20	1
74	REINFORCING PLATES FT-429 PER FIG. 15	2
75	BRUSH GUARD FT-422	1
76	CLAMP 10	1
77	CLAMP 8	3
78	CLAMP 7	2
79	CLAMP 5	1
80	CLAMP 4	2
81	CLAMP 2	1
82	CLAMP 1	3
83	HEX. HEAD CAP SCREW 5/16-24 X 1 1/2 LONG	2
84	HEX. HEAD CAP SCREW 1/4-20 X 2 1/2 LONG	10
85	HEX. HEAD CAP SCREW 1/4-20 X 1 1/2 LONG	2
86	HEX. HEAD CAP SCREW 1/4-20 X 1 1/4 LONG	9
87	HEX. HEAD CAP SCREW 1/4-20 X 1/2 LONG	14
88	ROUND HEAD MACH. CREW #10-32 X 5/8 LONG	10
89	ROUND HEAD MACH. SCREW #8-32 X 1/2 LONG	5
90	ROUND HEAD WOOD SCREW #8 X 5/8 LONG	2
91	HEX. HEAD CAP SCREW 5/16-24 X 3/4	6
92	HEX. NUT 5/16-24 STD.	6
93	HEX. NUT 1/4-20 STD.	17
94	HEX. NUT #10-32 STD.	10
95	HEX. NUT #8-32 STD.	3
96	LOCKWASHER S.A.E. REGULAR FOR 5/16 SCREW	8
97	LOCKWASHER S.A.E. REGULAR FOR 1/4 SCREW	13
98	LOCKWASHER S.A.E. REGULAR FOR #8 SCREW	3
99	LOCKWASHER 1/4 I.E.T. SEE NOTE #6	26
100	LOCKWASHER #10 I.E.T. SEE NOTE #6	20
101	FLAT WASHER 9/32 I.D. X 3/4 IN.O.D.	11
102	RUBBER WASHER	3
103	TERMINAL	2
104	WASHER 11/32 I.D. X 3/4 IN.O.D.	2
105	COVER CW-41/U	1

NOTES:

- DRAWING REFERENCE:
INSTALLATION
SCR-506 AND RC-58 1
SCR-505 9
SCR-510 OR 610 11
SCR-508, 528, 508 OR 628 10
SCR-193-U 6
SCR-193-U AND 510 7
SCR-193-U, 510 AND RC-58 5
SCR-506, 510 AND RC-58 2
SCR-284 8
SCR-193-U AND RC-58 3
- FOR ADDITIONAL COMPONENTS AND SPARE PARTS, SEE COMPONENT PARTS LIST.
- REMOVE TWO BOLTS AND USE HOLES FOR MOUNTING FT-260 - ().
- (42) AND (21) FURNISHED WITH THE VEHICLE BY THE MANUFACTURER.
- (31) AND (32) ARE TO BE STOWED IN STOWAGE COMPARTMENT OF VEHICLE.
- (99) AND (100) SHALL BE CAT. NO. 4014-22 AND 4010-24 RESPECTIVELY AS MADE BY ILLINOIS TOOL WORKS, CHICAGO, ILL., OR EQUAL.
- UNLESS OTHERWISE SPECIFIED DIMENSIONS ARE IN INCHES.
- STRIP (64) AND (65) ONE INCH AT BOTH ENDS, TIN FOR CONNECTION.
- STRIP (65) (66) (67) ONE INCH AT BOTH ENDS, SECURELY SOLDER (103) TO ONE END, TIN THE OTHER.
- USE (33) AND (37) WHEN MAST SECTIONS ARE NOT INSTALLED.
- (76) IS MOUNTED WITH ONE #10-32 X 1 INCH SCREW THAT MOUNTS (10) TO (29)
- WHEN (23) IS NOT AVAILABLE, USE MAST BASE MP-48, LESS CORD CD-689, OR MAST BASE MP-48-A WITH CORD CD-689.
- USE CORD CD-636- () WHEN (51) IS NOT AVAILABLE FOR INSTALLATION IN RADIO SET SCR-510- ()
- USE BUSHINGS WHEN AVAILABLE IN PLACE OF (47) AND (48)

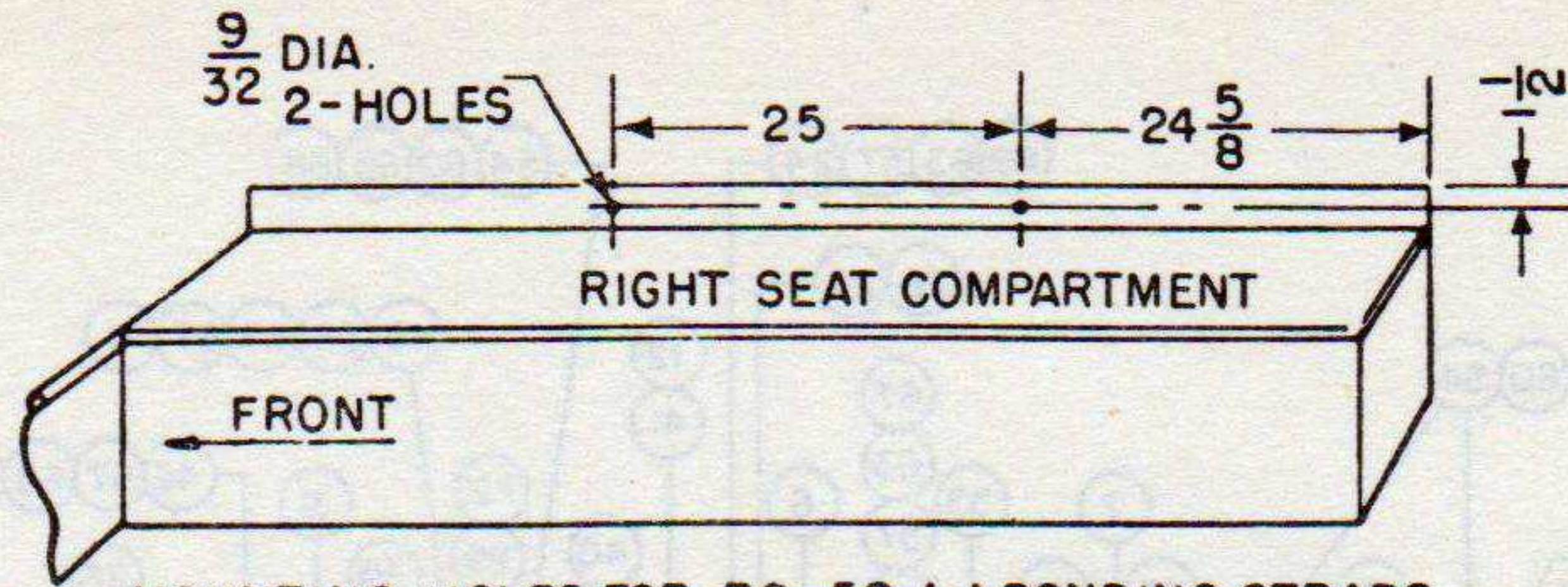


TL-15968-2

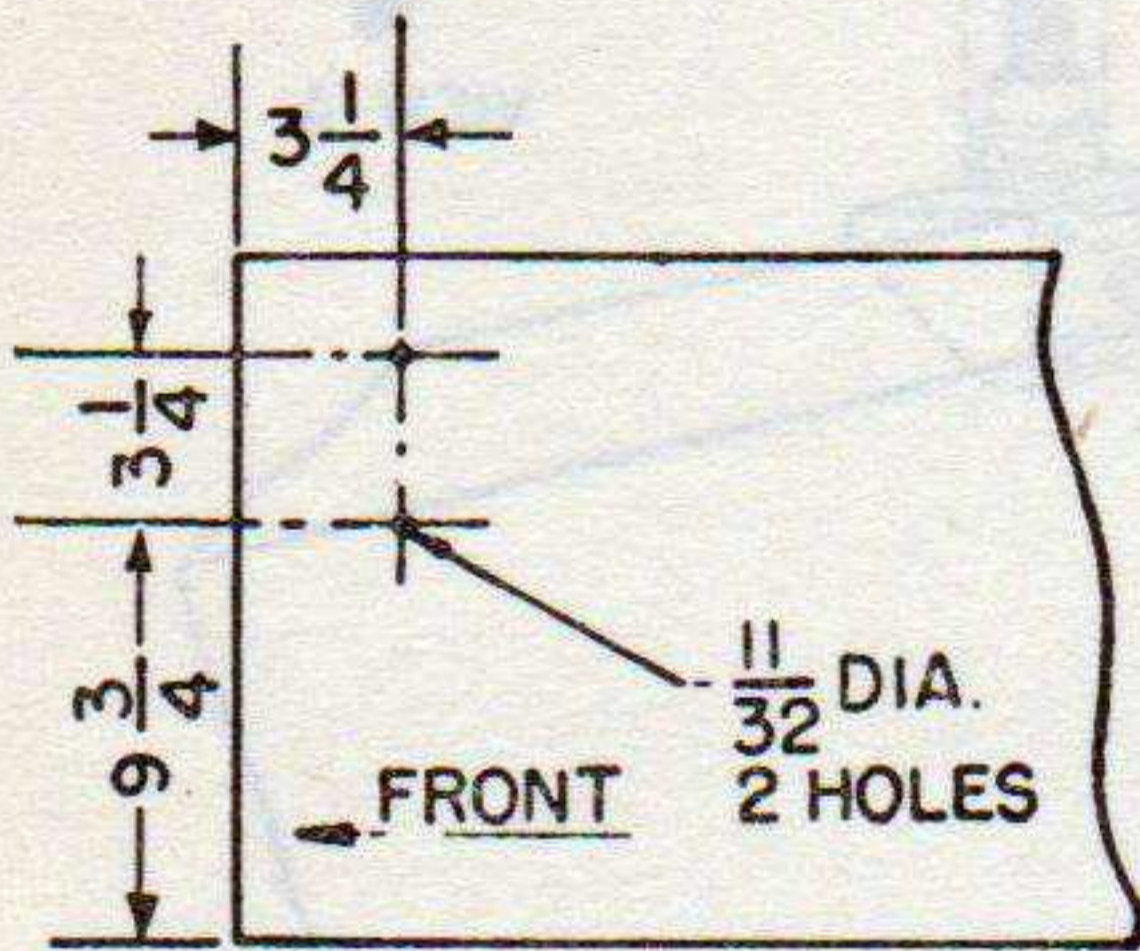


TL 15967-1

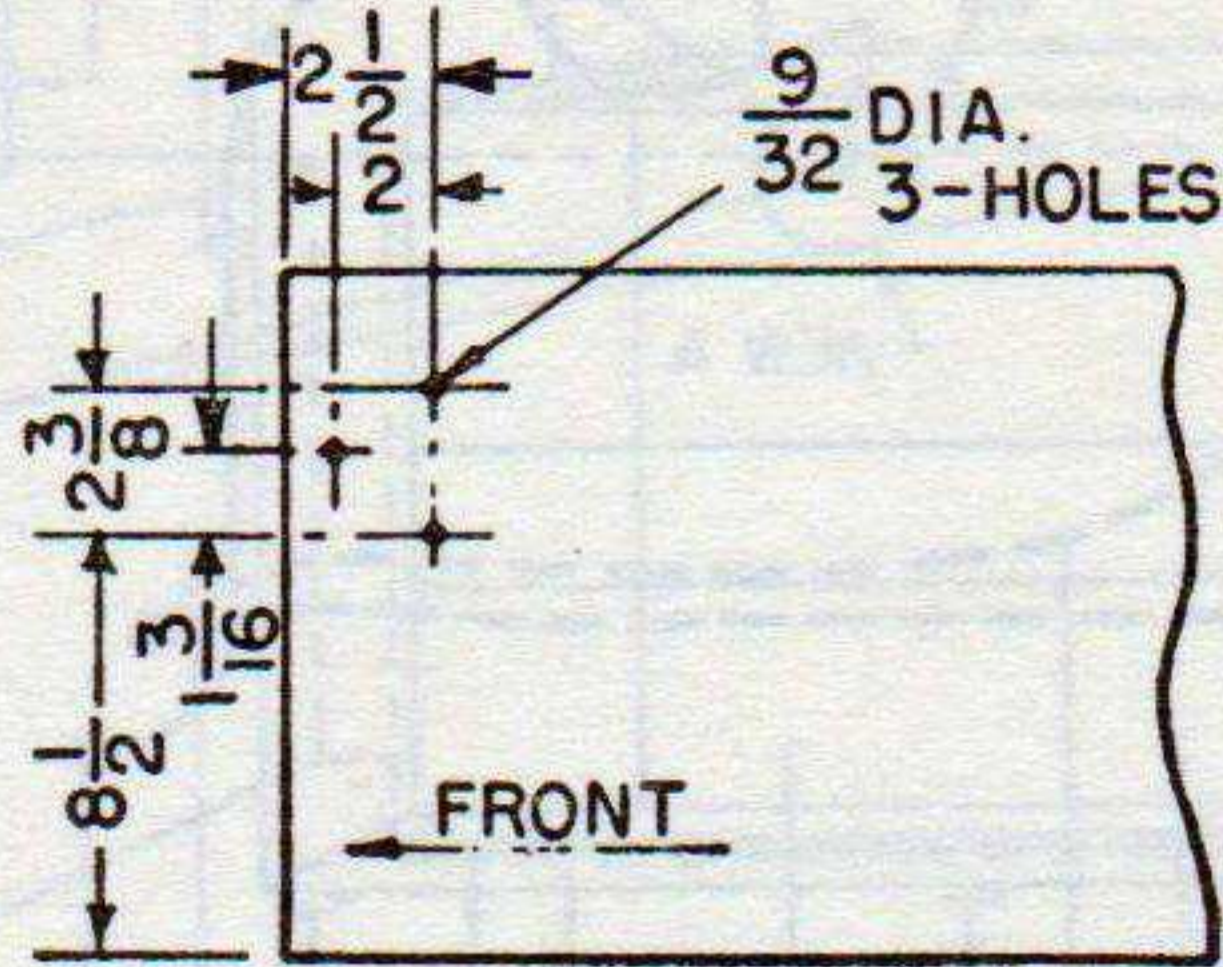
Figure 5. Installation of Facsimile Equipment RC-58-() in combination with Radio Set SCR-193-U



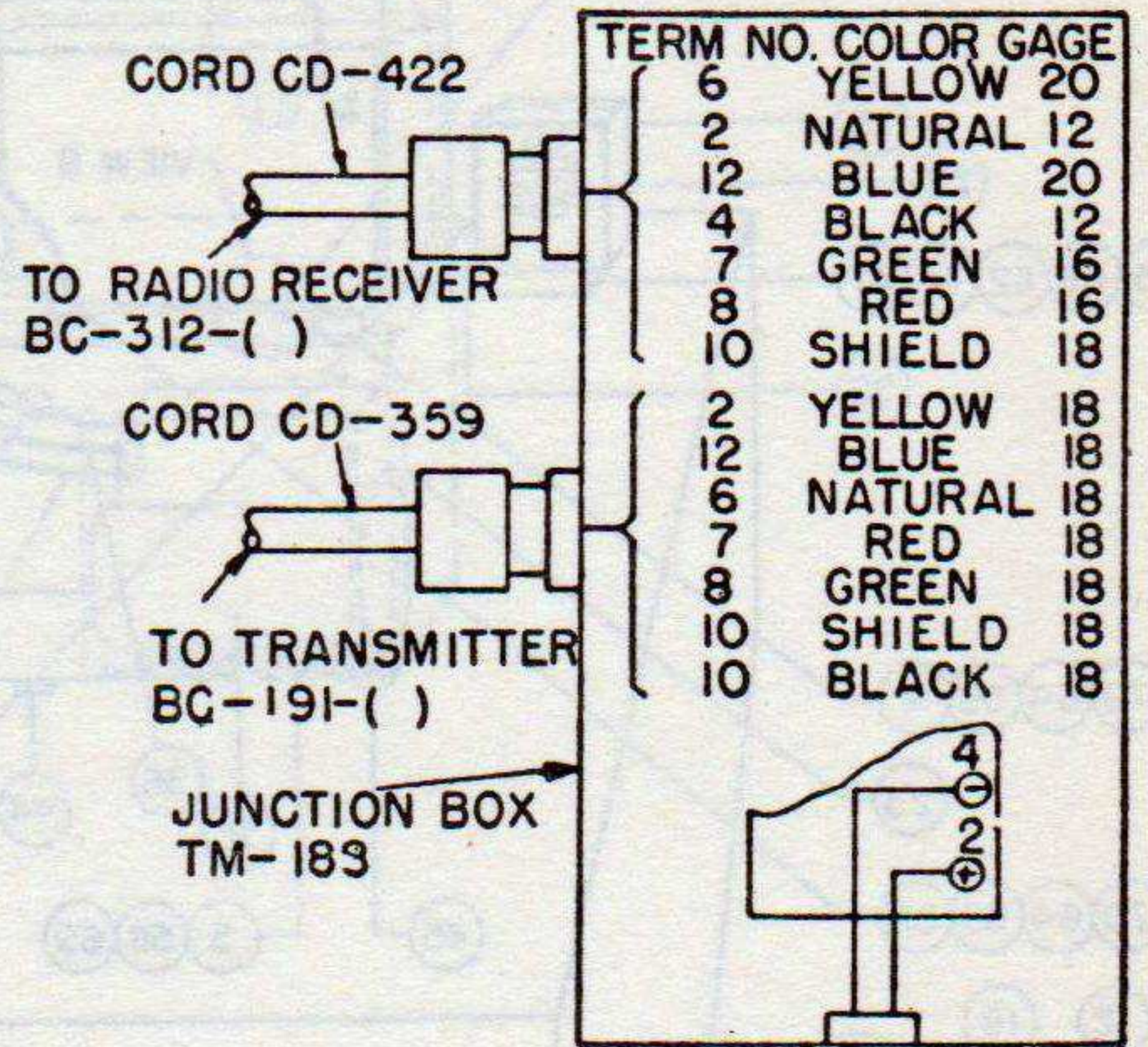
MOUNTING HOLES FOR RC-58-() BONDING STRAPS



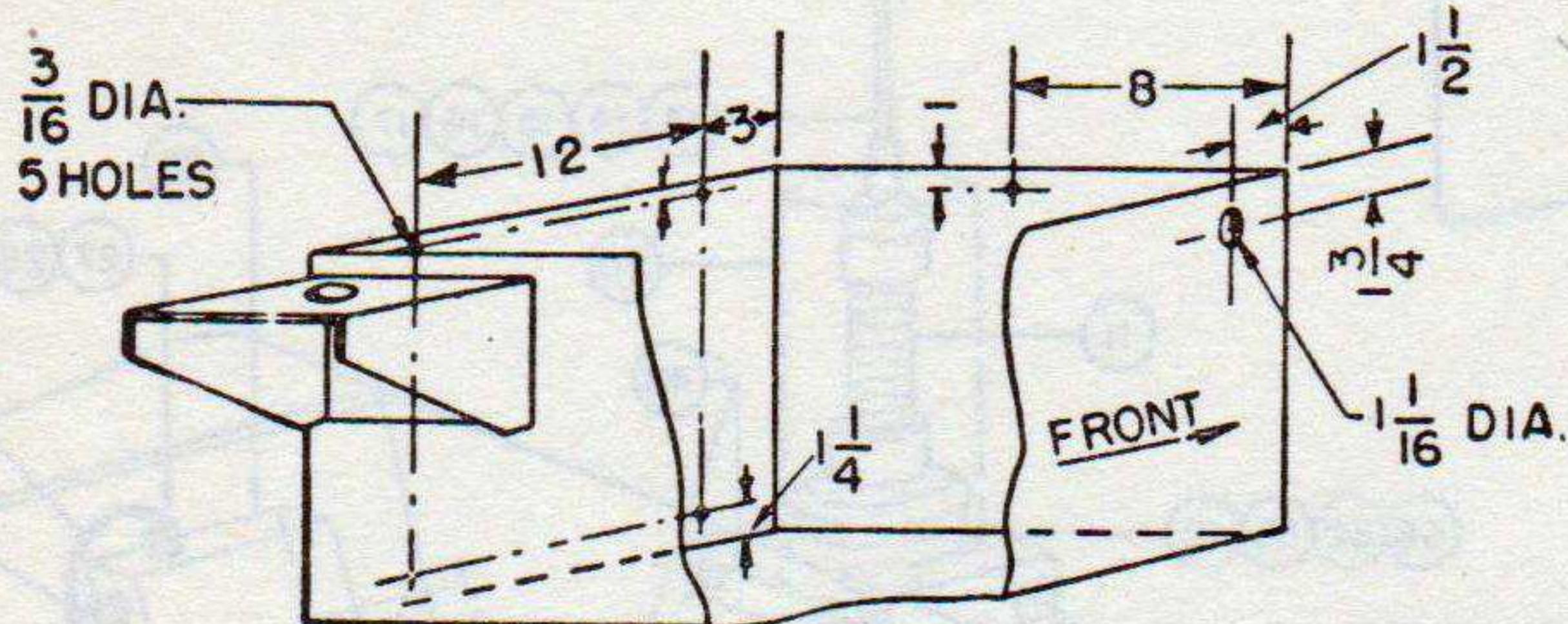
MOUNTING HOLES FOR LOUDSPEAKER LS-3-(), ON LEFT FRONT STOWAGE COMPARTMENT.



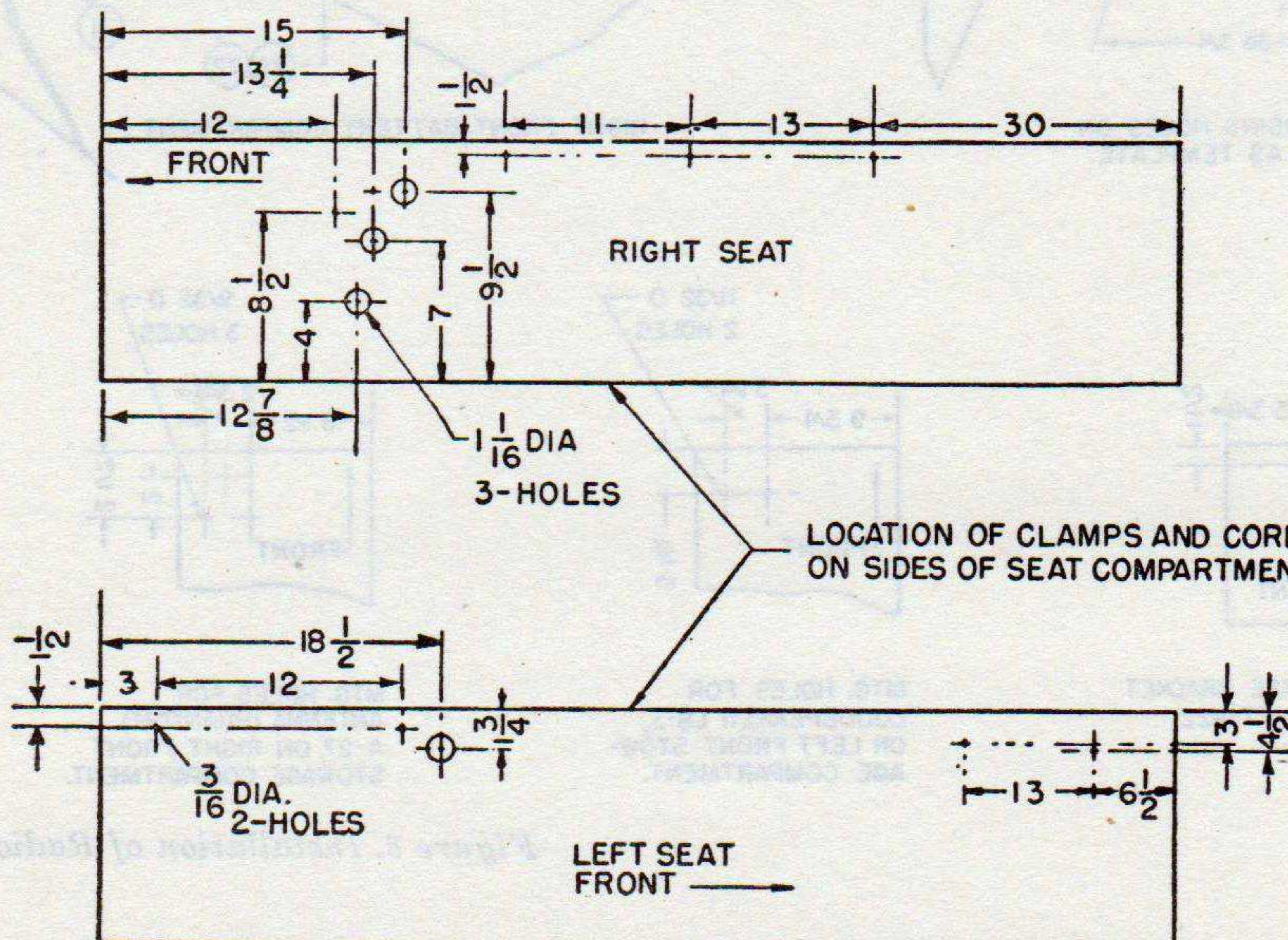
MOUNTING HOLES FOR PHANTOM ANTENNA A-27, ON RIGHT FRONT STOWAGE COMPARTMENT.



TERM NO.	COLOR	GAGE
6	YELLOW	20
2	NATURAL	12
12	BLUE	20
4	BLACK	12
7	GREEN	16
8	RED	16
10	SHIELD	18
2	YELLOW	18
12	BLUE	18
6	NATURAL	18
7	RED	18
8	GREEN	18
10	SHIELD	18
10	BLACK	18

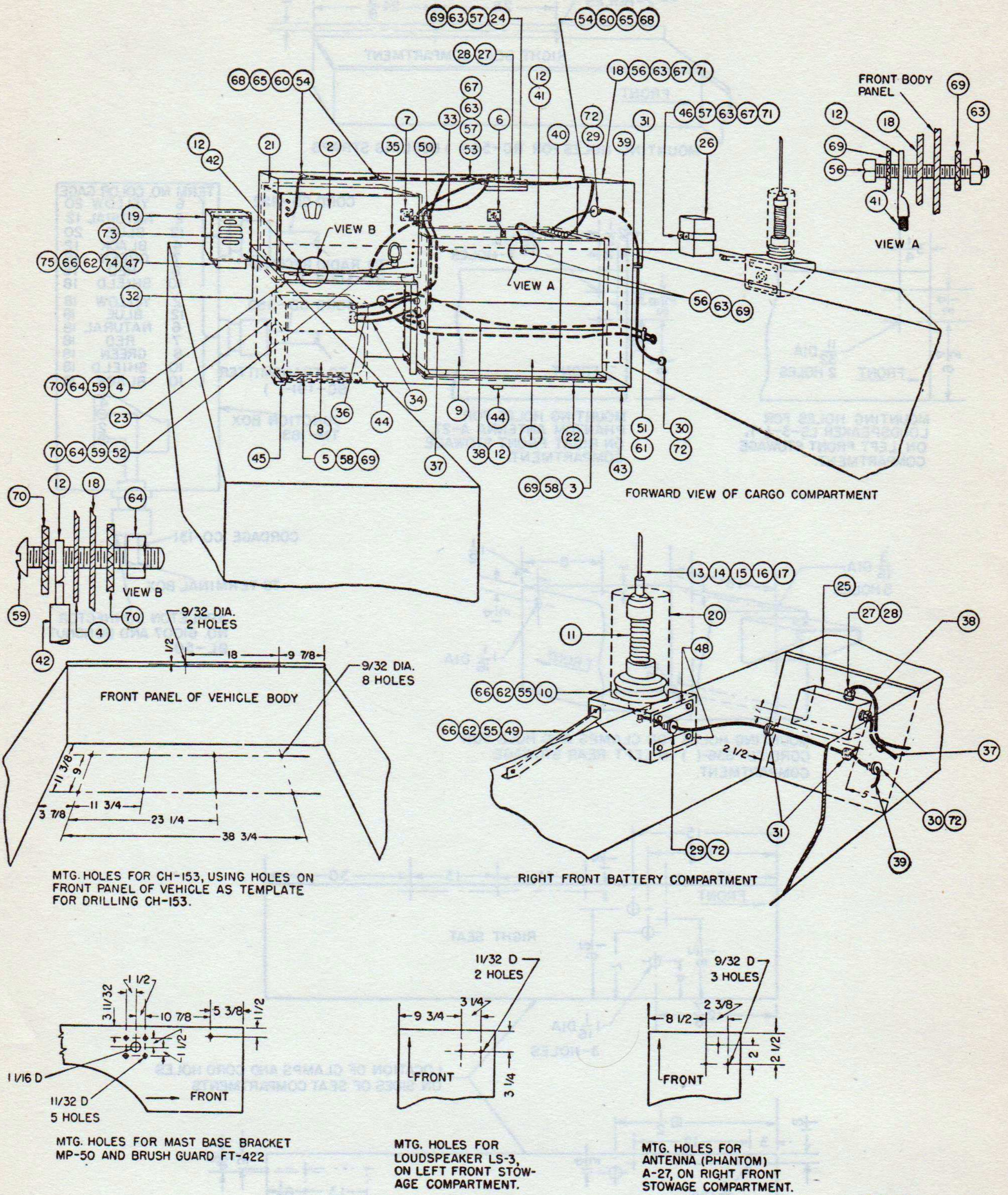


MOUNTING HOLES FOR CLAMPS AND HOLE FOR CORD CD-636-() IN LEFT REAR STOWAGE COMPARTMENT.



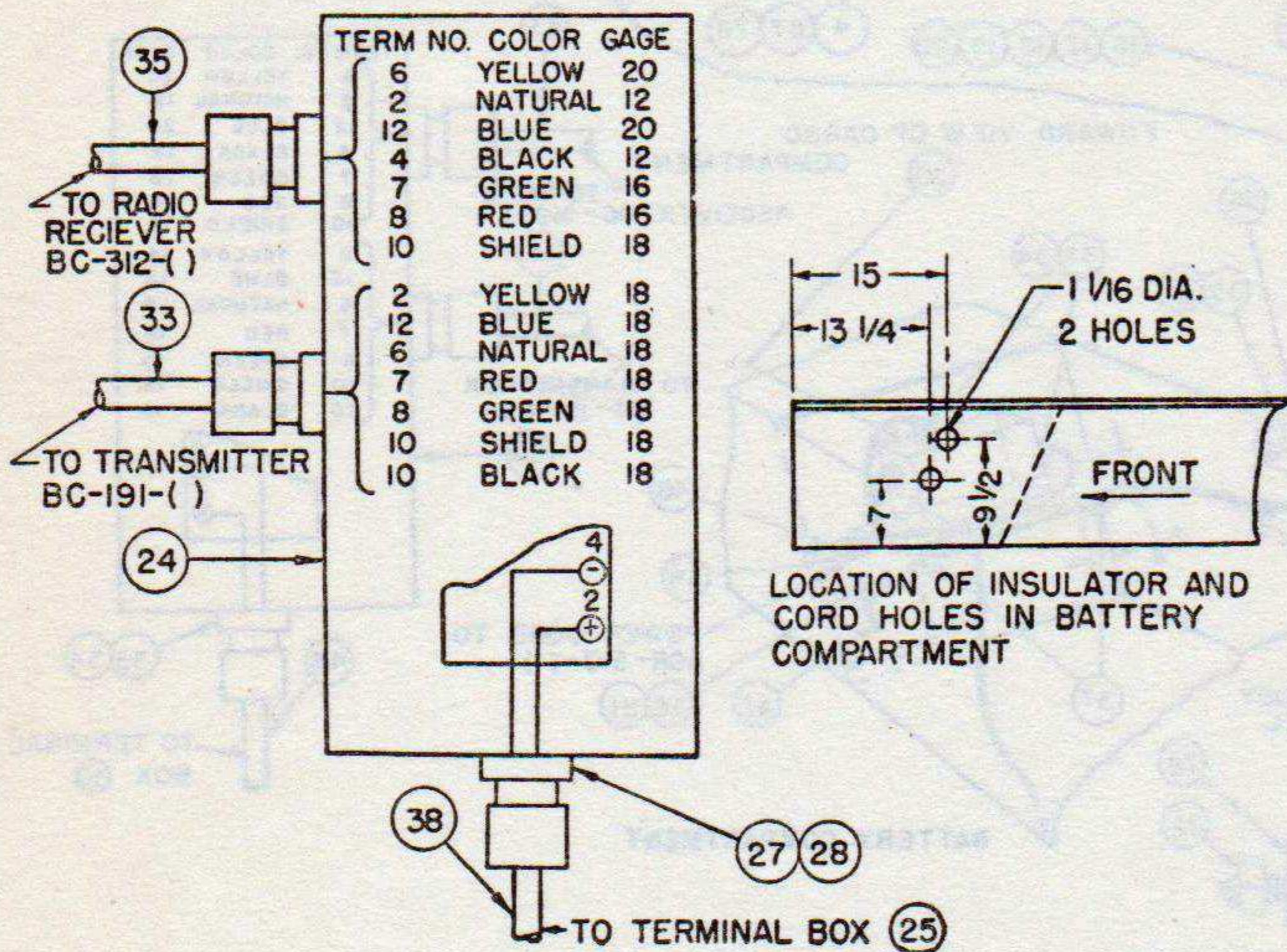
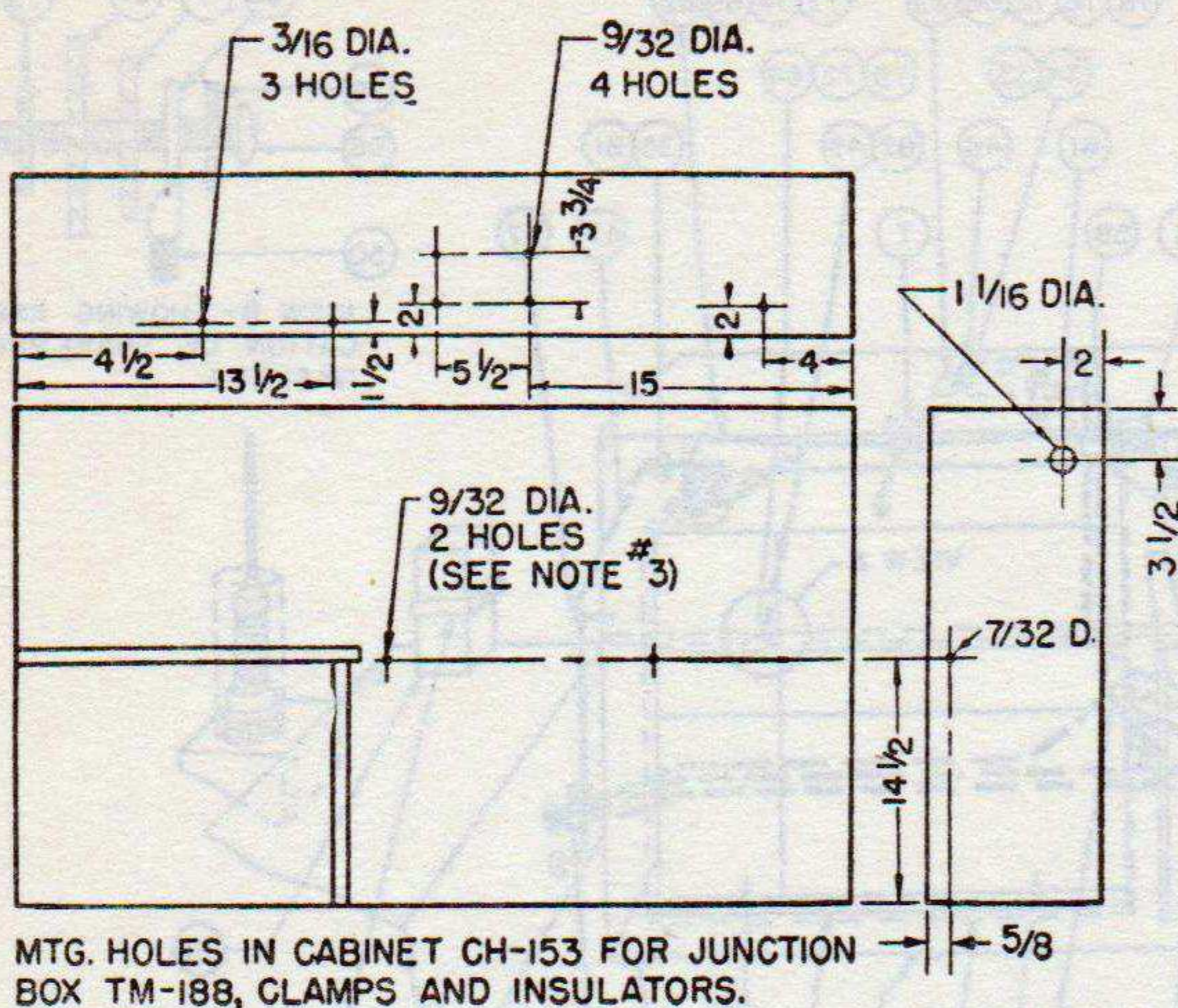
LOCATION OF CLAMPS AND CORD HOLES ON SIDES OF SEAT COMPARTMENTS

and SCR-510-() in Truck, 3/4-ton, 4x4, Weapon Carrier (12-volt), mounting holes and locations.



TL 15968-1

Figure 6. Installation of Radio Set SCR-193-U in



ITEM NO.	NAME OF ITEM	QUAN. REQ.
1	RADIO TRANSMITTER BC-191-()	1
2	RADIO RECEIVER BC-312-()	1
3	MOUNTING FT-151-()	1
4	MOUNTING FT-162	1
5	MOUNTING FT-107-()	1
6	MOUNTING FT-172	1
7	MOUNTING FT-178 SEE NOTE #7	1
8	DYNAMOTOR UNIT BD-77-()	1
9	TRANSMITTER TUNING UNIT TU-5-() OR TU-6-()	1
10	MAST BASE BRACKET MP-50 SEE NOTE #12	1
11	MAST BASE MP-65 SEE NOTE #10	1
12	TERMINAL SEE NOTE #5	3
13	MAST SECTION MS-53	1
14	MAST SECTION MS-52 AND CLAMP MC-424	1
15	MAST SECTION MS-118 OR MS-51 AND CLAMP MC-423	1
16	MAST SECTION MS-117 OR MS-50 AND CLAMP MC-422	1
17	MAST SECTION MS-116 OR MS-49 AND CLAMP MS-421	1
18	CHEST CH-153 SEE NOTE #3	1
19	LOUDSPEAKER LS-3	1
20	COVER BG-67-() SEE NOTE #9	1
21	COVER BG-75-A	1
22	COVER BG-78-A	1
23	COVER BG-79-A	1
24	JUNCTION BOX TM-188	1
25	TERMINAL BOX C100427 SEE NOTE #4	1
26	ANTENNA (PHANTOM) A-27	1
27	APPLETON CONNECTOR PER CAT. #61007	2
28	APPLETON BONDNUT PER CAT. #BL-50	2
29	INSULATOR IN-121	2
30	INSULATOR IN-101	1
31	INSULATOR IN-104	3
32	CORD CD-267	1
33	CORD CD-359 24 IN. LONG	1
34	CORD CD-424 12 IN. LONG	1
35	CORD CD-422 24 IN. LONG	1
36	CORD CD-237 12 IN. LONG	1
37	CORD CD-260-A 6 FT. LONG	1
38	CORDAGE CO-131 8 FT. LONG	1
39	WIRE W-128 4 FT. 8 IN. LONG SEE NOTE #6	1
40	WIRE W-128 46 IN. LONG	1
41	WIRE W-128 18 IN. LONG SEE NOTE #5	1
42	WIRE W-128 6 IN. LONG SEE NOTE #5	1
43	SPACER	1
44	SPACER	2
45	SPACER	1
46	BRACKET PER FIG. 18	1
47	BRACKET PER FIG. 20	1
48	REINFORCING PLATE FT-429 PER FIG. 15	2
49	BRUSH GUARD FT-422	1
50	CLAMP NO. 10 SEE NOTE #7 PER FIG. 14	1
51	CLAMP NO. 7	1
52	CLAMP NO. 4 PER FIG. 14	1
53	CLAMP NO. 2	1
54	CLAMP NO. 1	3
55	HEX. HEAD CAP SCREW 5/16-24 X 3/4 LONG	6
56	HEX. HEAD CAP SCREW 1/4-20 X 2-1/2 LONG	10
57	HEX. HEAD CAP SCREW 1/4-20 X 1-1/2 LONG	7
58	HEX. HEAD CAP SCREW 1/4-20 X 1/2 LONG	14
59	ROUND HEAD MACH. SCREW #10-32 X 1/2 LONG	10
60	ROUND HEAD MACH. SCREW #8-32 X 1/2 LONG	3
61	WOOD SCREW #10 X 5/8 LONG	1
62	HEX. NUT 5/16-24 STD.	8
63	HEX. NUT 1/4-20 STD.	17
64	HEX. NUT #10-32 STD.	10
65	HEX. NUT #8-32 STD.	3
66	LOCKWASHER S.A.E. REGULAR FOR 5/16 SCREW	8
67	LOCKWASHER S.A.E. REGULAR FOR 1/4 SCREW	12
68	LOCKWASHER S.A.E. REGULAR FOR #8 SCREW	3
69	LOCKWASHER 1/4 I.E.T. SEE NOTE #3 AND #8	26
70	LOCKWASHER #10 I.E.T. SEE NOTE #8	20
71	WASHER 9/32 I.D. X 3/4 O.D.	11
72	WASHER (RUBBER)	3
73	COVER CW-41/U	1
74	HEX. HEAD CAP SCREW 5/16-24 X 1-1/2 LONG	2
75	WASHER 5/16 I.D. X 1 O.D.	2

NOTES:

- FOR ADDITIONAL COMPONENTS AND SPARE PARTS SEE COMPONENT PARTS LIST.
- DIMENSIONS UNLESS OTHERWISE SHOWN ARE IN INCHES.
- (69) SHALL BE PLACED UNDER THE HEAD OF (56) AND BETWEEN THE BODY PANEL AND (63). USE (18) AS TEMPLATE FOR DRILLING FORWARD BODY PANEL.
- (25) IS FURNISHED WITH THE VEHICLE BY THE MFR.
- STRIP (41) AND (42) 1 INCH AT BOTH ENDS. SECURELY SOLDER (12) TO ONE END AND TIN THE OTHER.
- STRIP (39) 1 INCH AT BOTH ENDS AND TIN FOR ANTENNA CONNECTION.
- (50) IS MOUNTED WITH 1-#10-32 X 1 INCH SCREW THAT MOUNTS (7) TO (18).
- (69) AND (70) SHALL BE CAT. #4014-12 AND 4010-18 RESPECTIVELY AS MADE BY ILL. TOOL WORKS, CHICAGO, ILL., OR EQUAL.

- USE (20) WHEN MAST SECTIONS ARE NOT INSTALLED.
- IF MP-65 IS NOT AVAILABLE, MP-57 OR MP-37 MAY BE USED.
- DRAWING REFERENCE:

INSTALLATION	FIG. NO.
SCR-506 AND RC-58	1
SCR-506	9
SCR-510 OR 610	11
SCR-608, 628, 508 OR 528	10
SCR-193-U AND 510	7
SCR-193-U, 510 AND RC-58	4 AND 5
SCR-506, 510, AND RC-58	2
SCR-284	8
SCR-193-U AND RC-58	3
- ONE (10) FURNISHED WITH THE VEHICLE BY THE MANUFACTURER.

Truck, 3/4-ton, 4x4, Weapon Carrier (12-volt).

TL 15968-2

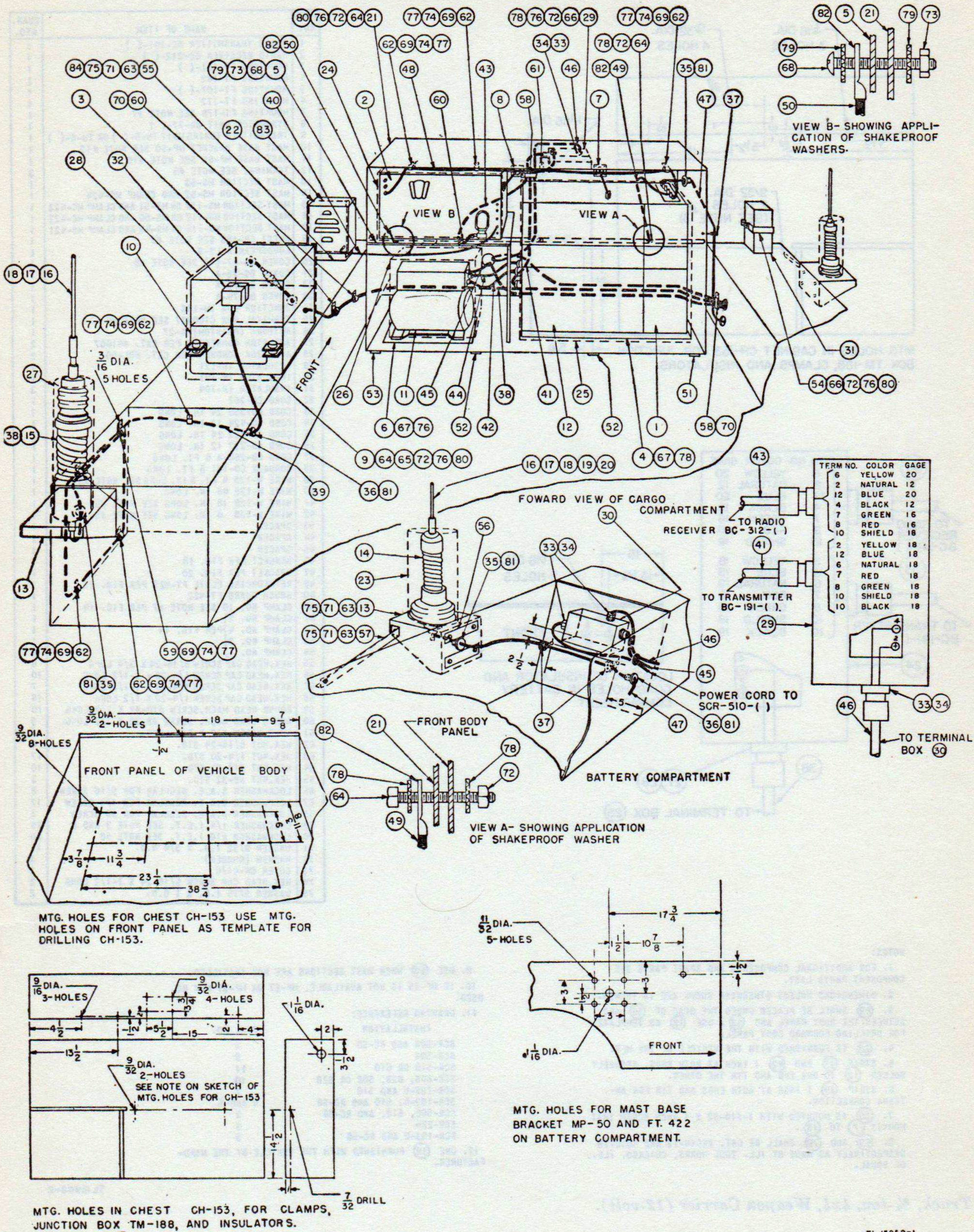
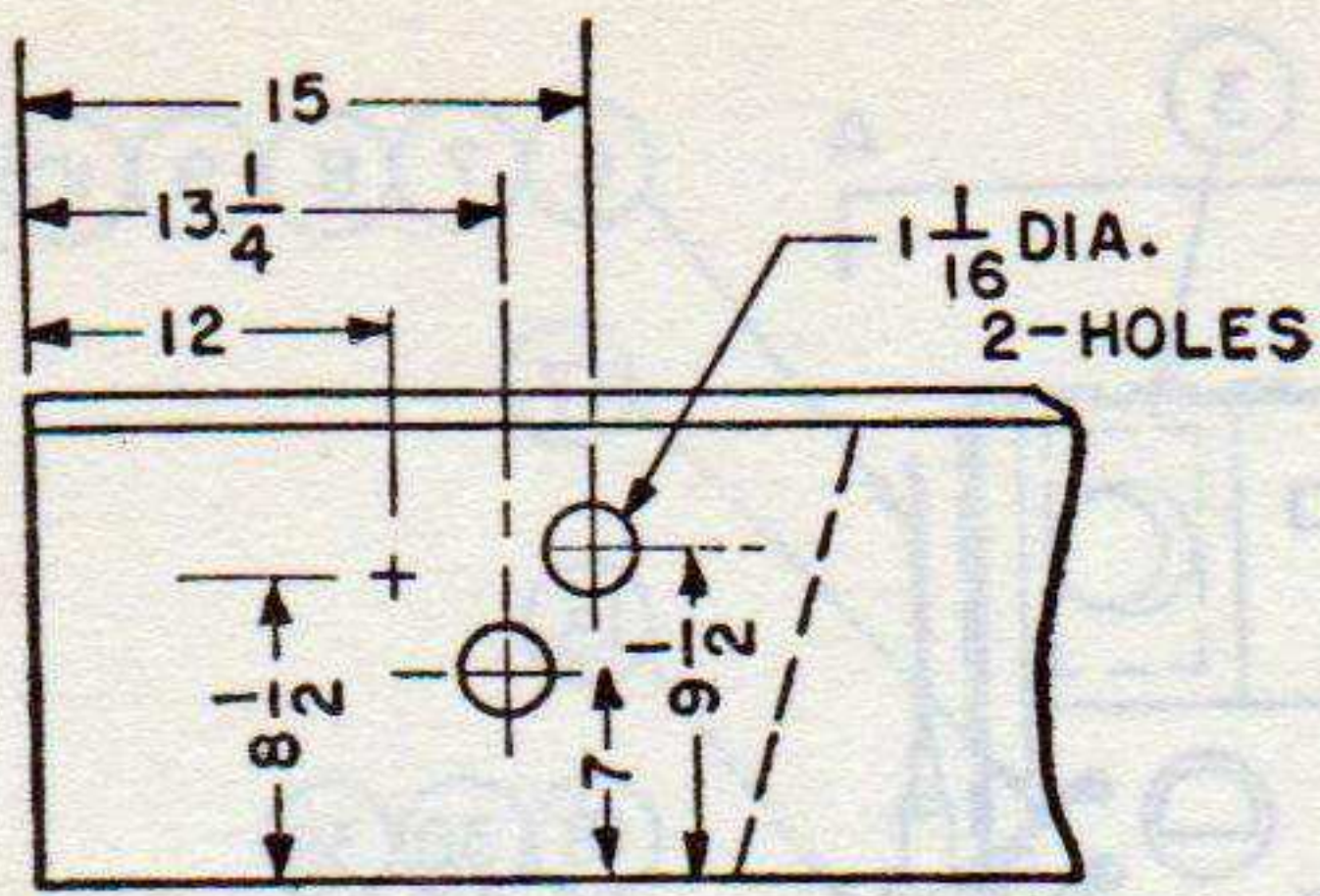
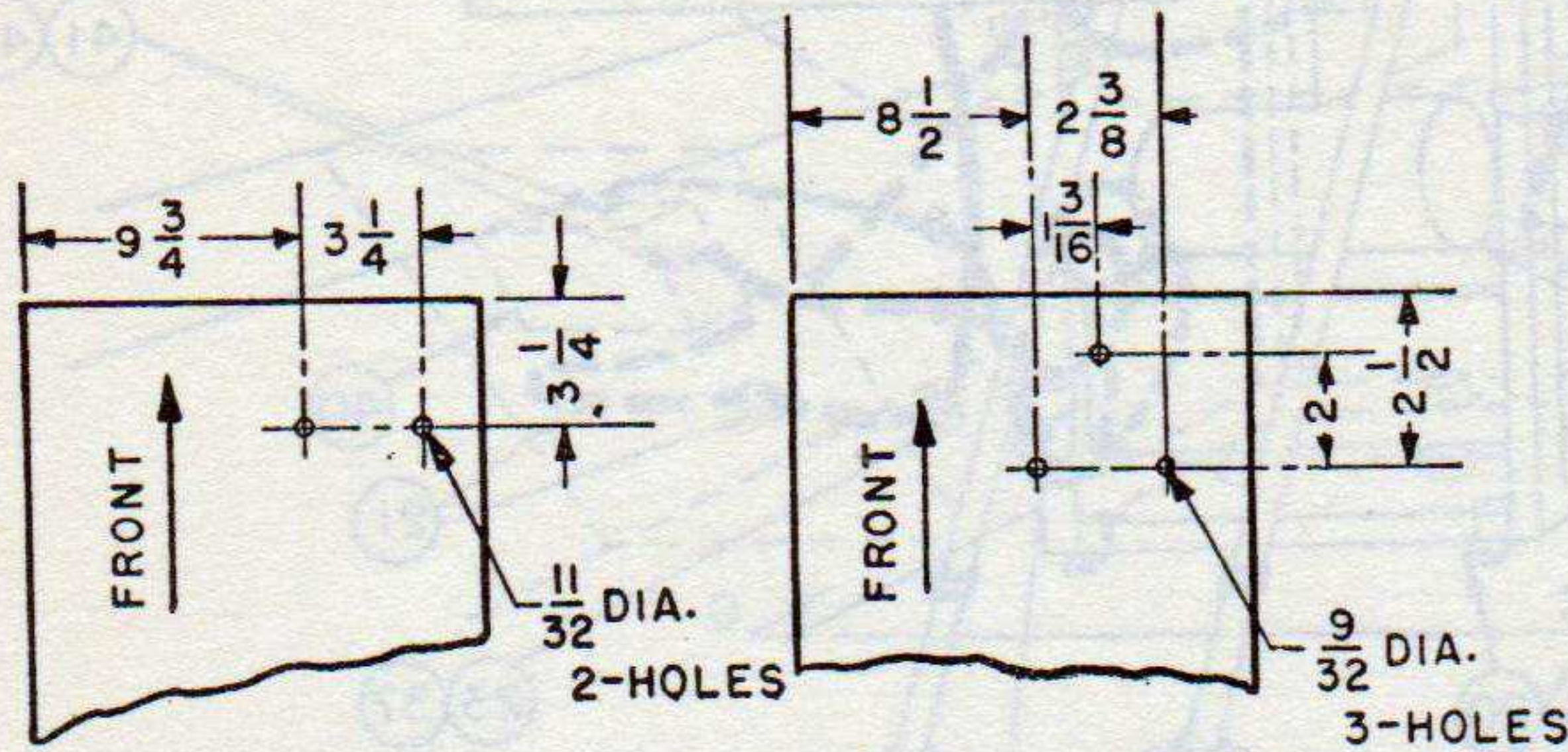


Figure 7. Installation of Radio Set SCR-193-U in combination with Radio

TL 15959-1

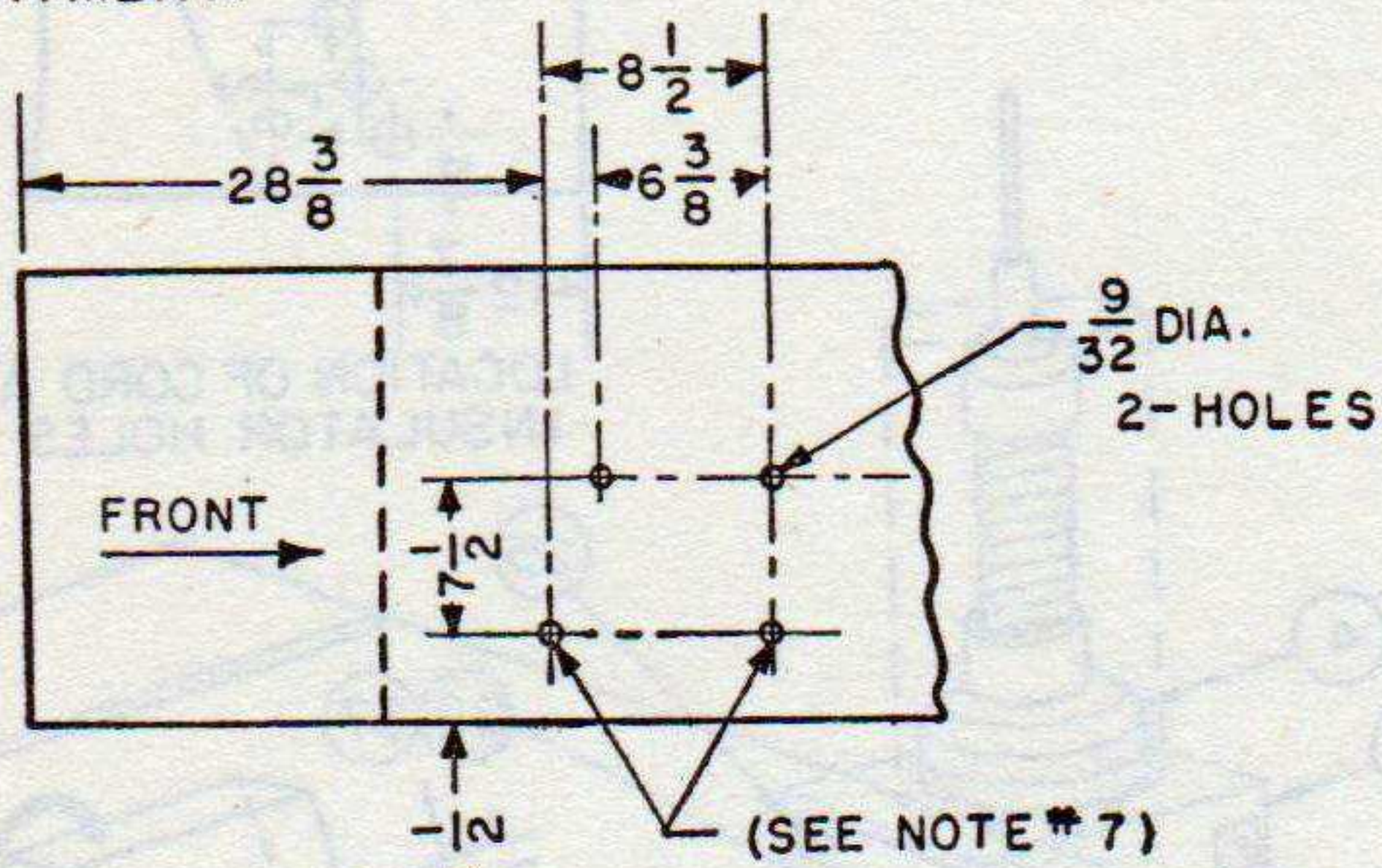


LOCATION OF CLAMP AND HOLES FOR CORDS AND INSULATOR IN BATTERY COMPARTMENT.



MTG. HOLES FOR LOUD-SPEAKER LS-3 ON LEFT FRONT STORAGE COMPARTMENT.

MTG. HOLES FOR ANTENNA (PHANTOM) A-27 ON BATTERY COMPARTMENT.



MTG. HOLES FOR SCR-510 ON LEFT SEAT COMPARTMENT.

NOTES:

1. FOR ADDITIONAL COMPONENTS AND SPARE PARTS SEE COMPONENT PARTS LIST.
2. UNLESS OTHERWISE SPECIFIED DIMENSIONS ARE IN INCHES.
3. USE (23) AND (27) WHEN MAST SECTIONS ARE NOT INSTALLED.
4. (30) AND (13) FURNISHED WITH THE VEHICLE BY THE MANUFACTURER.
5. STRIP (47) AND (48) 1 INCH AT BOTH ENDS, AND TIN FOR CONNECTIONS.
6. (78) AND (79) SHALL BE CAT. NO. 4014-22 AND 4010-24 RESPECTIVELY AS MADE BY ILLINOIS TOOL WORKS, CHICAGO, ILL., OR EQUAL.
7. REMOVE (2) BOLTS AND USE HOLES TO MOUNT FT-250-().
8. STRIP (49) AND (50) ONE INCH AT BOTH ENDS. SECURELY SOLDER (82) TO ONE END AND TIN THE OTHER.
9. (58) IS MOUNTED WITH ONE #10-32 X 1 SCREW THAT MOUNTS (8) TO (21)
10. IF (14) IS NOT AVAILABLE, MP-57 OR MP-37 MAY BE USED.
11. DRAWING REFERENCE:

INSTALLATION	FIG. NO.
SCR-506 AND RC-58	1
SCR-506	9
SCR-510 AND 610	11
SCR-508, 528, 608, AND 628	10
SCR-193-U	6
SCR-193-U, 510 AND RC-58	4 AND 5
SCR-506, 510 AND RC-58	2
SCR-284	8
SCR-193-U AND RC-58	3
12. USE CORD CD-636 WHEN (39) IS NOT AVAILABLE.
13. USE MAST BASE MP-48 LESS CORD CD-689-() OR MP-48-A WITH CORD CD-689-() WHEN (15) IS NOT AVAILABLE.
14. USE BUSHING WHEN AVAILABLE IN PLACE OF (36) AND (35)

ITEM NO.	NAME OF ITEM	QUAN. REQ.	RADIO SET SCR-510-()	RADIO SET SCR-193-()
1	RADIO TRANSMITTER BC-191-()	1		
2	RADIO RECEIVER BC-312-()	1		
3	RADIO RECEIVER AND TRANSMITTER BC-620-()	1		
4	MOUNTING FT-151-()	1		
5	MOUNTING FT-162	1		
6	MOUNTING FT-107-()	1		
7	MOUNTING FT-172	1		
8	MOUNTING FT-178 SEE NOTE 9	1		
9	MOUNTING FT-250-()	1		
10	POWER UNIT PE-120-()	1		
11	DYNAMOTOR UNIT BD-77-()	1		
12	TUNING UNIT TU-5-() OR TU-6-()	1		
13	MAST BASE BRACKET MP-50 SEE NOTE 4	1		
14	MAST BASE MP-65 SEE NOTE 10	1		
15	MAST BASE AB-15/GR SEE NOTE 13	1		
16	MAST SECTION MS-53	1		
17	MAST SECTION MS-52 AND CLAMP MC-424	1		
18	MAST SECTION MS-118 OR MS-51 AND CLAMP MC-423	1		
19	MAST SECTION MS-117 OR MS-50 AND CLAMP MC-422	1		
20	MAST SECTION MS-116 OR MS-49 AND CLAMP MC-421	1		
21	CHEST CH-153	1		
22	LOUDSPEAKER LS-3	1		
23	COVER BG-67-() SEE NOTE 3	1		
24	COVER BG-75-A	1		
25	COVER BG-78-A	1		
26	COVER BG-79-A	1		
27	COVER BG-108-() SEE NOTE 3	1		
28	COVER BG-153	1		
29	JUNCTION BOX TM-188	1		
30	TERMINAL BOX C-100427 SEE NOTE 4	1		
31	ANTENNA (PHANTOM) A-27	1		
32	TERMINAL BOX (ANTENNA) TM-206-()	1		
33	APPLETON CONNECTOR CAT. NO. 61007	1		2
34	APPLETON BONDNUT CAT. NO. BL-50	1		2
35	INSULATOR IN-121 SEE NOTE 14	1		2
36	INSULATOR IN-101 SEE NOTE 14	1		1
37	INSULATOR IN-104	1		3
38	CORD CD-689	1		
39	CORD CG-67/MRC-2 SEE NOTE 12	1		
40	CORD CD-267	1		
41	CORD CD-359	1		
42	CORD CD-424	1		
43	CORD CD-422	1		
44	CORD CD-237	1		
45	CORD CD-260-A	1		
46	CORDAGE CO-131 8 FT. LONG	1		
47	WIRE W-128 56 IN. LONG SEE NOTE 5	1		
48	WIRE W-128 46 IN. LONG SEE NOTE 5	1		
49	WIRE W-128 18 IN. LONG SEE NOTE 8	1		
50	WIRE W-128 6 IN. LONG SEE NOTE 8	1		
51	SPACER	1		
52	SPACER	2		
53	SPACER	1		
54	BRACKET PER FIG. 18	1		
55	BRACKET PER FIG. 20	1		
56	REINFORCING PLATES FT-429 PER FIG. 15	2		
57	BRUSH GUARD FT-422	1		
58	CLAMP NO. 10	1		
59	CLAMP NO. 7	2		
60	CLAMP NO. 4	2		
61	CLAMP NO. 2	3		
62	CLAMP NO. 1	3		
63	HEX. HEAD CAP SCREW 5/16-24 X 1 1/2 LONG	2		
64	HEX. HEAD CAP SCREW 1/4-20 X 2 1/2 LONG	2		10
65	HEX. HEAD CAP SCREW 1/4-20 X 1 1/2 LONG	2		
66	HEX. HEAD CAP SCREW 1/4-20 X 1 1/4 LONG	1		
67	HEX. HEAD CAP SCREW 1/4-20 X 1/2 LONG	7		
68	ROUND HEAD MACH. SCREW #10-32 X 5/8 LONG	10		
69	ROUND HEAD MACH. SCREW #8-32 X 1/2 LONG	5		3
70	ROUND HEAD WOOD SCREW #10 X 5/8 LONG	2		1
71	HEX. NUT 5/16-24 STD.	1		8
72	HEX. NUT 1/4-20 STD.	4		17
73	HEX. NUT #10-32 STD.	1		10
74	HEX. NUT #8-32 STD.	5		3
75	LOCKWASHER S.A.E. REGULAR FOR 5/16 SCREW	1		8
76	LOCKWASHER S.A.E. REGULAR FOR 1/4 SCREW	4		13
77	LOCKWASHER S.A.E. REGULAR FOR #8 SCREW	5		3
78	LOCKWASHER 1/4 I.E.T. SEE NOTE 6	1		26
79	LOCKWASHER #10 I.E.T. SEE NOTE 6	1		20
80	FLAT WASHER 9/32 I.D. X 3/4 O.D.	4		11
81	RUBBER WASHER	2		3
82	TERMINAL	1		2
83	COVER CW-41/U	1		1
84	WASHER 11/32 I.D. X 3/4 O.D.	2		2

TL 15959-2

Set SCR-510-() in Truck, 3/4-ton, 4x4, Weapon Carrier (12-volt).

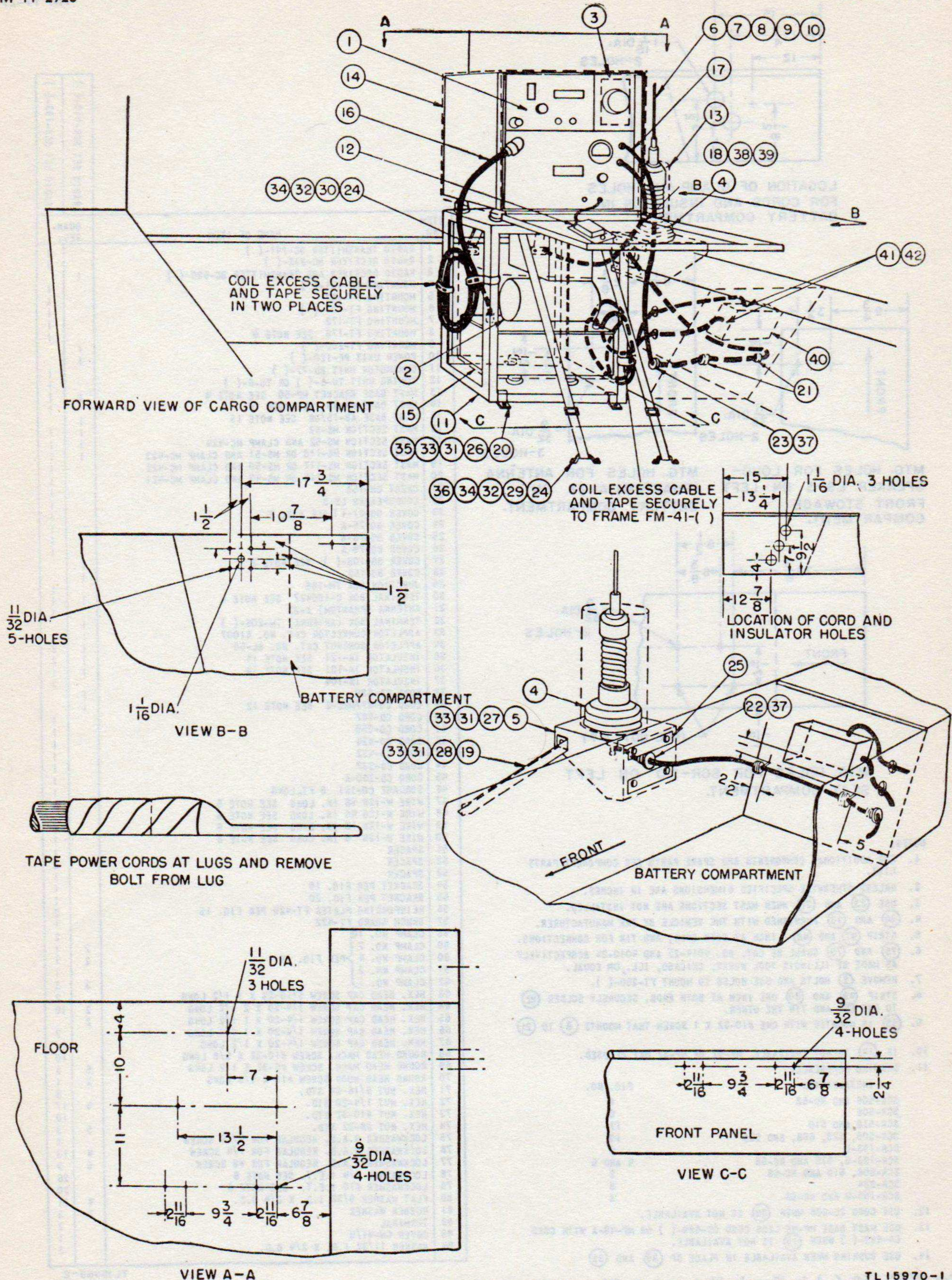
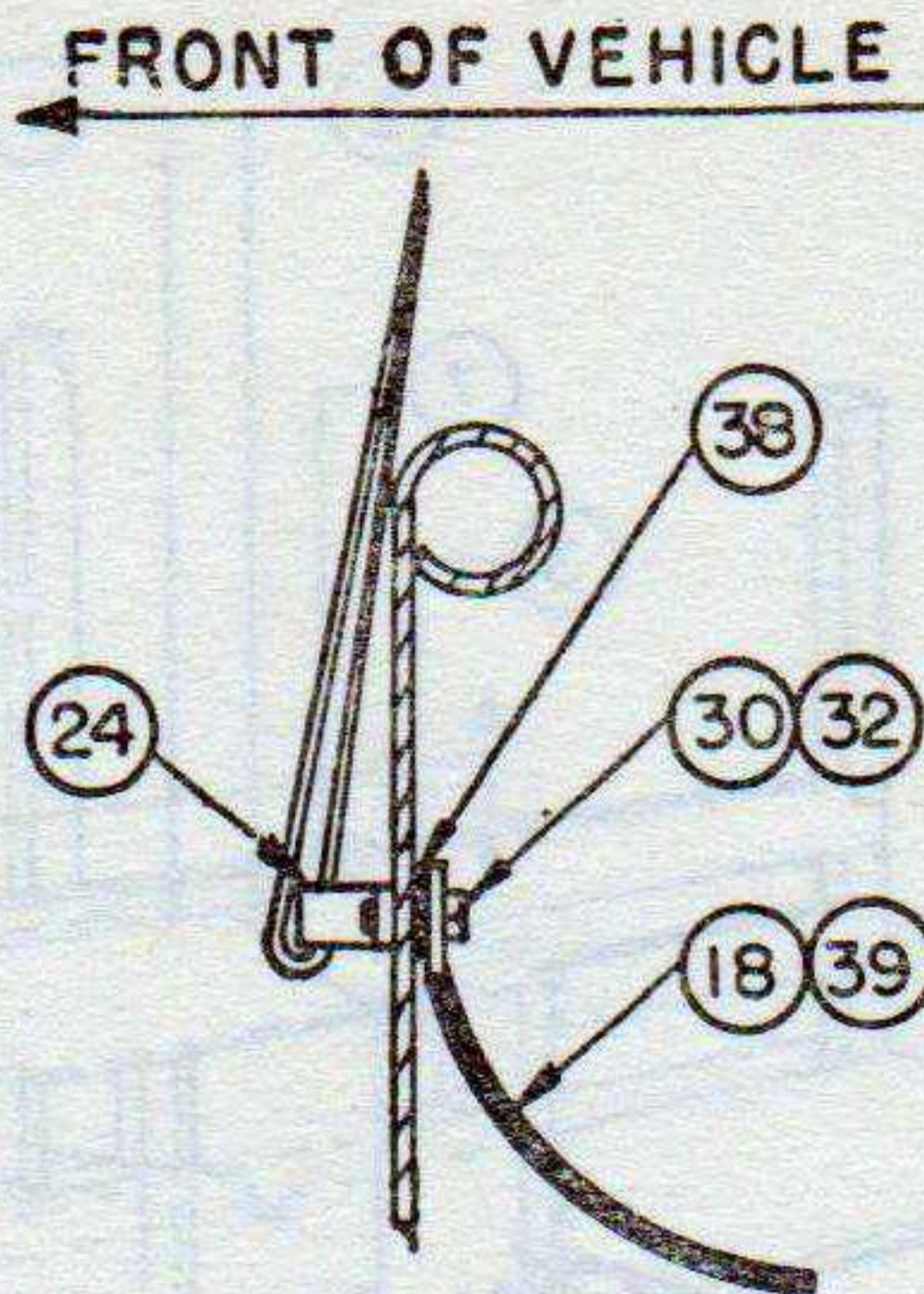


Figure 8. Installation of Radio Set SCR-284-() in Truck, TL 15970-1



VIEW OF FRONT BODY PANEL SHOWING STRAPHOLDER AND APPLICATION OF SHAKEPROOF WASHER.

NOTES:

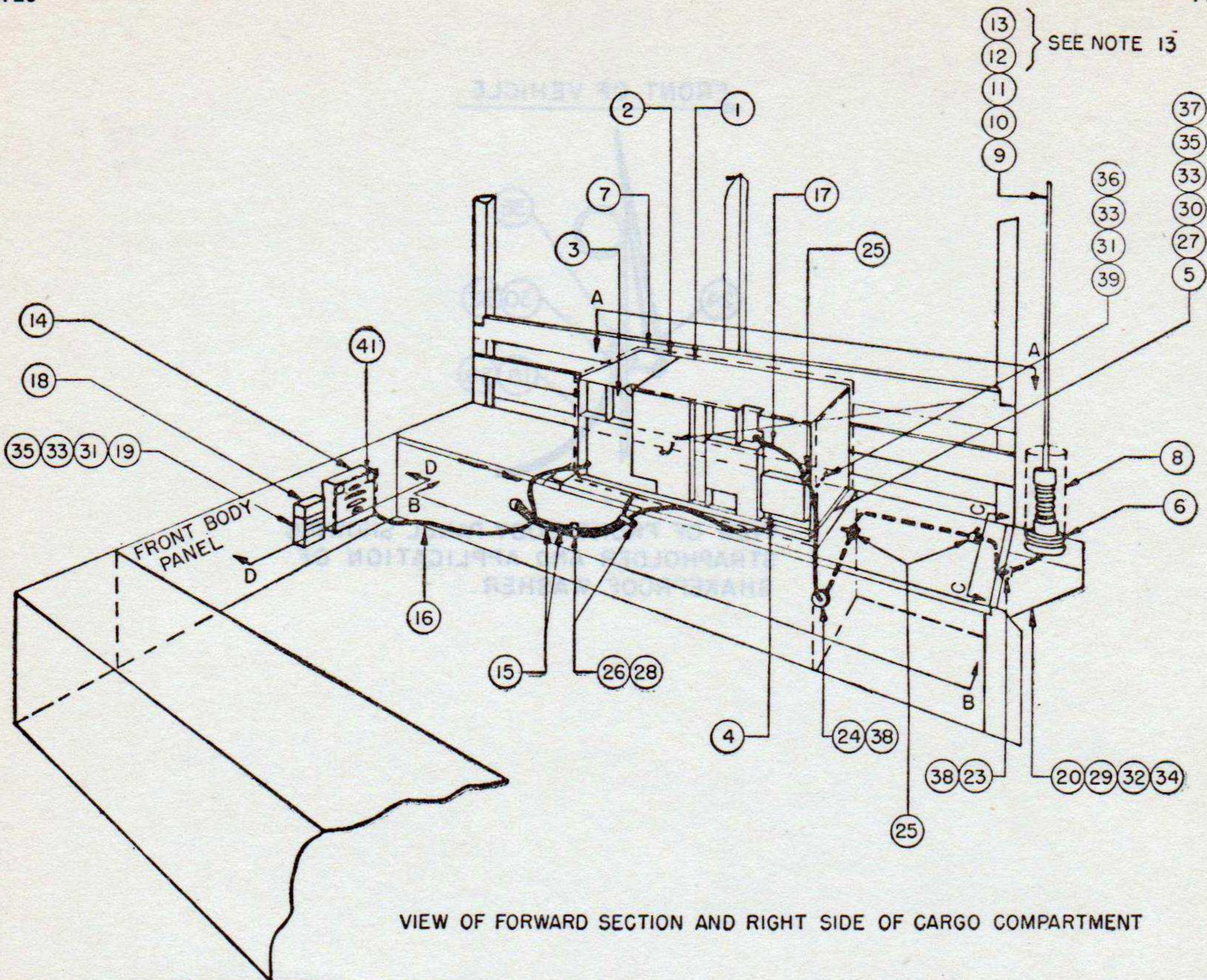
1. FOR ADDITIONAL COMPONENTS AND SPARE PARTS SEE COMPONENT PARTS LIST.
2. STRIP (18) AT BOTH ENDS. SECURELY SOLDER (39) TO ONE END. TIN THE OTHER.
3. USE (13) WHEN MAST SECTIONS ARE NOT INSTALLED.
4. CUT (17) TO PROPER LENGTH. TIN ENDS FOR ANTENNA CONNECTIONS.
5. TAPE POWER CORDS AT LUGS. SEE SKETCH.
6. DIMENSIONS UNLESS OTHERWISE SHOWN ARE IN INCHES.
7. (38) SHALL BE CAT. NO. 4014-22 AS MADE BY ILLINOIS TOOL WORKS, CHICAGO, ILL., OR EQUAL.
8. (40) IS FURNISHED WITH THE VEHICLE BY THE MANUFACTURER.
9. DRAWING REFERENCE:

INSTALLATION	FIG. NO.
SCR-506 AND RC-58	1
SCR-506	9
SCR-510 OR 610	11
SCR-608, 628, 508 OR 528	10
SCR-193-U	6
SCR-193-U AND 510	7
SCR-193-U, 510 AND RC-58	4 AND 5
SCR-506, 510 AND RC-58	2
SCR-193-U AND RC-58	3
10. WHEN (4) IS NOT AVAILABLE USE MAST BASE MP-37.
11. ONE (5) FURNISHED WITH THE VEHICLE BY THE MANUFACTURER.

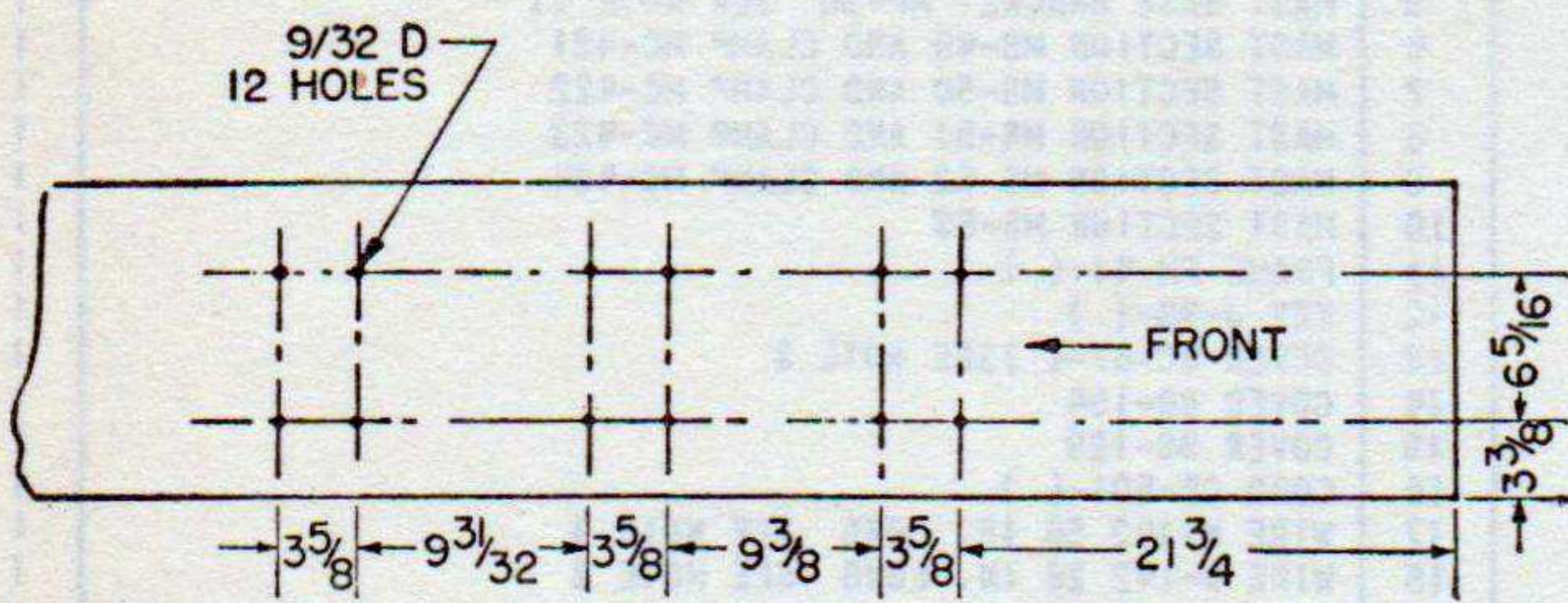
ITEM NO.	NAME OF ITEM	QUAN. REQ.
1	RADIO RECEIVER AND TRANSMITTER BC-654-()	1
2	POWER UNIT PE-103-()	1
3	POWER CONVERTER UNIT PE-104-()	1
4	MAST BASE MP-57 SEE NOTE 10	1
5	MAST BASE BRACKET MP-50 SEE NOTE 11	1
6	MAST SECTION MS-49 AND CLAMP MC-421	1
7	MAST SECTION MS-50 AND CLAMP MC-422	1
8	MAST SECTION MS-51 AND CLAMP MC-423	1
9	MAST SECTION MS-52 AND CLAMP MC-424	1
10	MAST SECTION MS-53	1
11	FRAME FM-41-()	1
12	KEY J-48-()	1
13	COVER BG-67-() SEE NOTE 3	1
14	COVER BG-154	1
15	COVER BG-129	1
16	CORD CD-501-()	1
17	WIRE W-142 56 IN. LONG SEE NOTE 4	1
18	WIRE W-142 26 IN. LONG SEE NOTE 2	1
19	BRACKET FT-422	1
20	BRACKET	3
21	INSULATOR IN-104	2
22	INSULATOR IN-121	1
23	INSULATOR IN-101	1
24	STRAPHOLDER	4
25	REINFORCING PLATE FT-429 PER FIG. 15	2
26	HEX. HEAD CAP SCREW 5/16-24 X 2 1/4 LONG	3
27	HEX. HEAD CAP SCREW 5/16-24 X 1 1/4 LONG	4
28	HEX. HEAD CAP SCREW 5/16-24 X 3/4 LONG	2
29	HEX. HEAD CAP SCREW 1/4-20 X 1 1/2 LONG	4
30	HEX. HEAD CAP SCREW 1/4-20 X 3/4 LONG	4
31	HEX. NUT 5/16-24 STD.	9
32	HEX. NUT 1/4-20 STD.	8
33	LOCKWASHER S.A.E. REGULAR FOR 5/16 SCREW	9
34	LOCKWASHER S.A.E. REGULAR FOR 1/4 SCREW	8
35	WASHER 5/16 STD.	3
36	WASHER 1/4 STD.	4
37	RUBBER WASHER	2
38	LOCKWASHER 1/4 I.E.T. SEE NOTE 7	1
39	TERMINAL SEE NOTE 2	1
40	TERMINAL BOX C-100427 SEE NOTE 8	1
41	APPLETON CONNECTOR CAT. NO. 61007	2
42	APPLETON BONDNUT CAT. NO. BL-50	2

TL 15970-2

3/4-ton, 4x4, Weapon Carrier (12-volt).

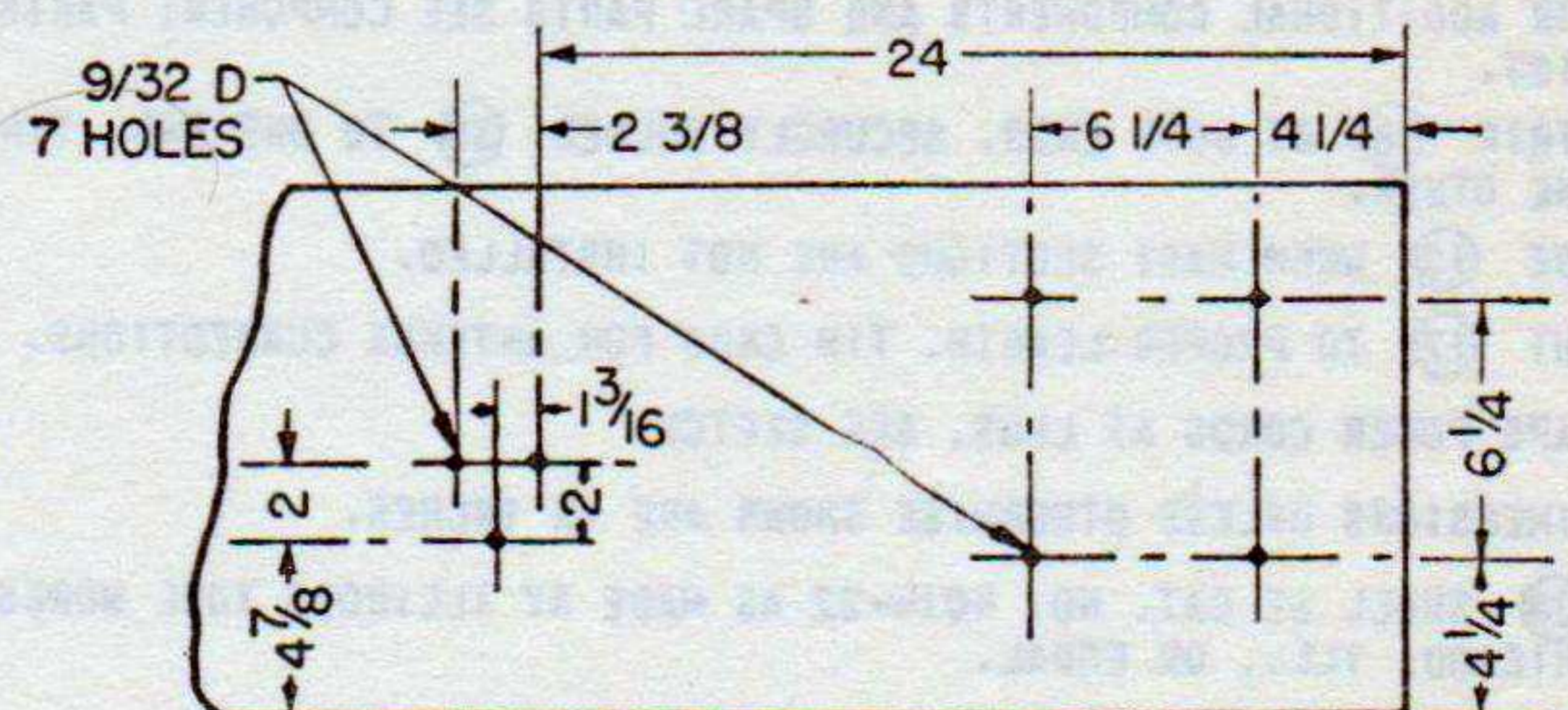


VIEW OF FORWARD SECTION AND RIGHT SIDE OF CARGO COMPARTMENT

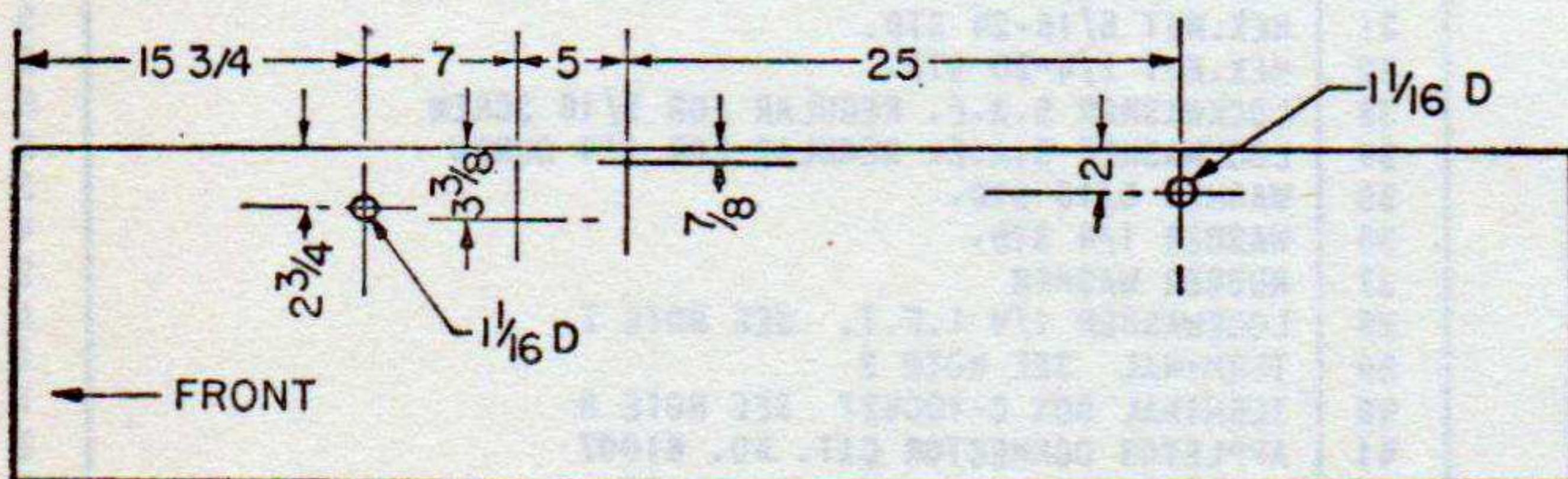


MTG. HOLE LOCATIONS FOR MTG. FT-253-()

VIEW A-A

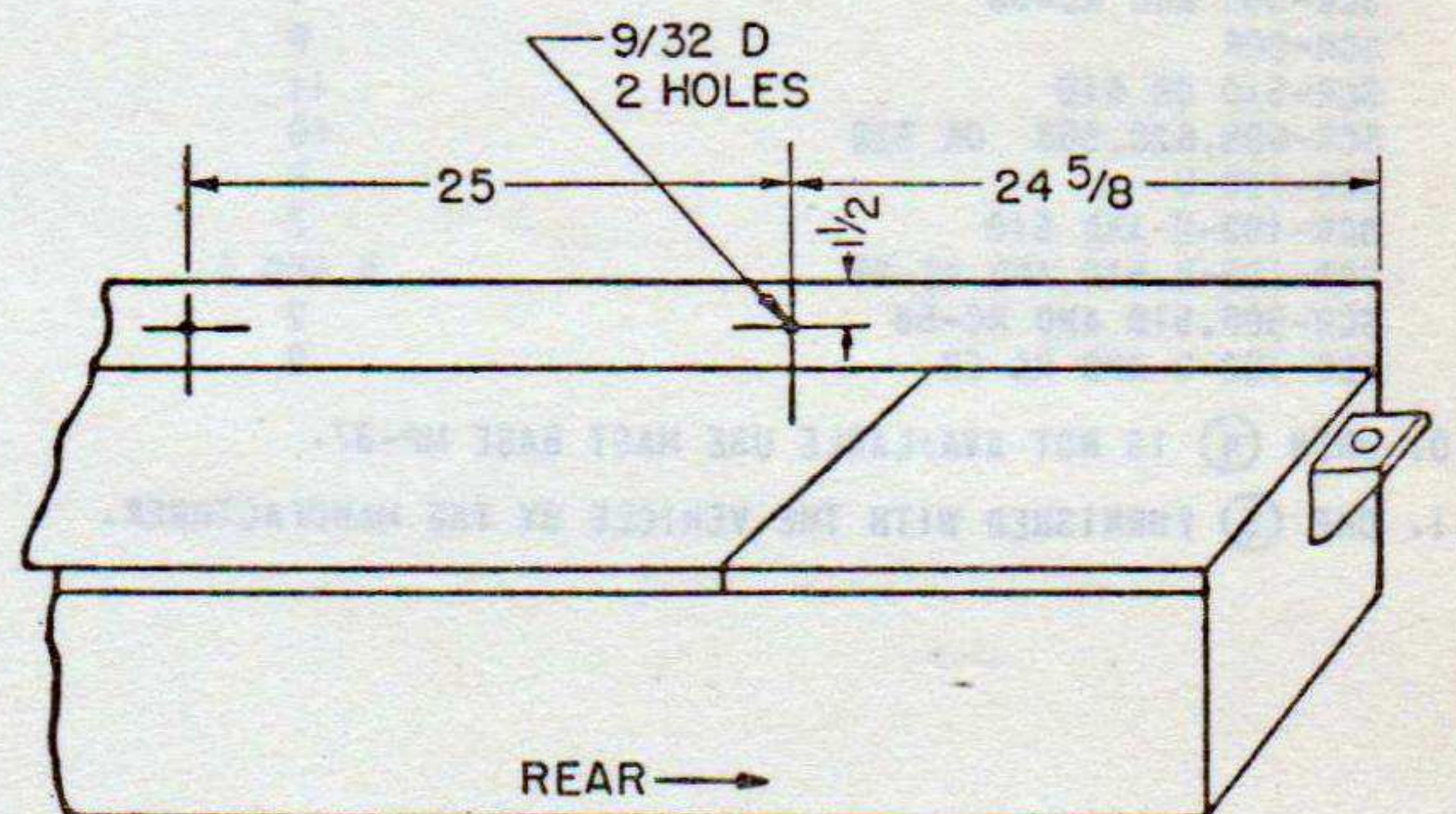


MTG. HOLE LOCATIONS FOR A-27 AND LS-3 ON FRONT BODY PANEL



HOLES FOR INSULATORS, POWER CORD ENTRY AND CLAMP LOCATIONS.

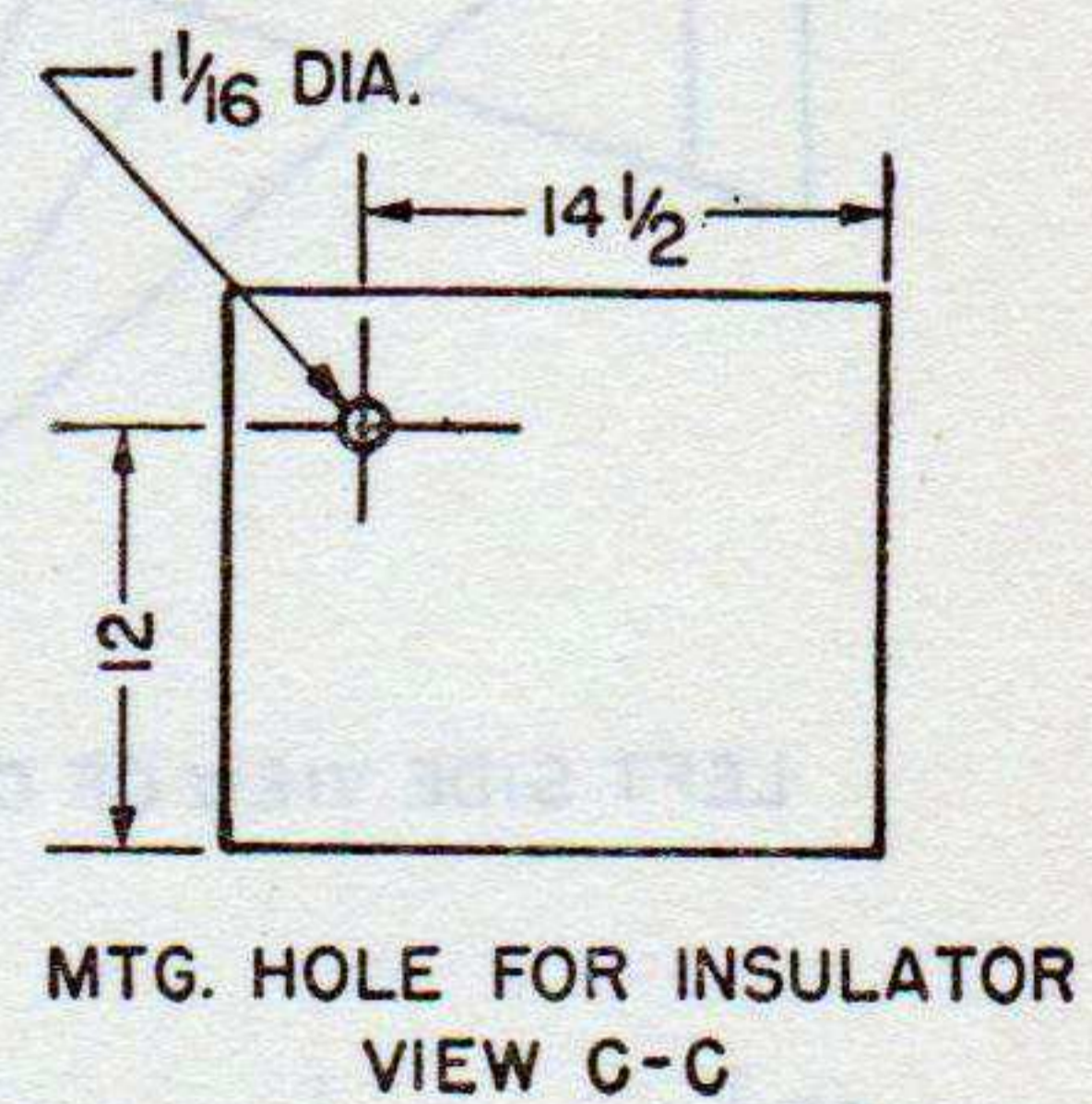
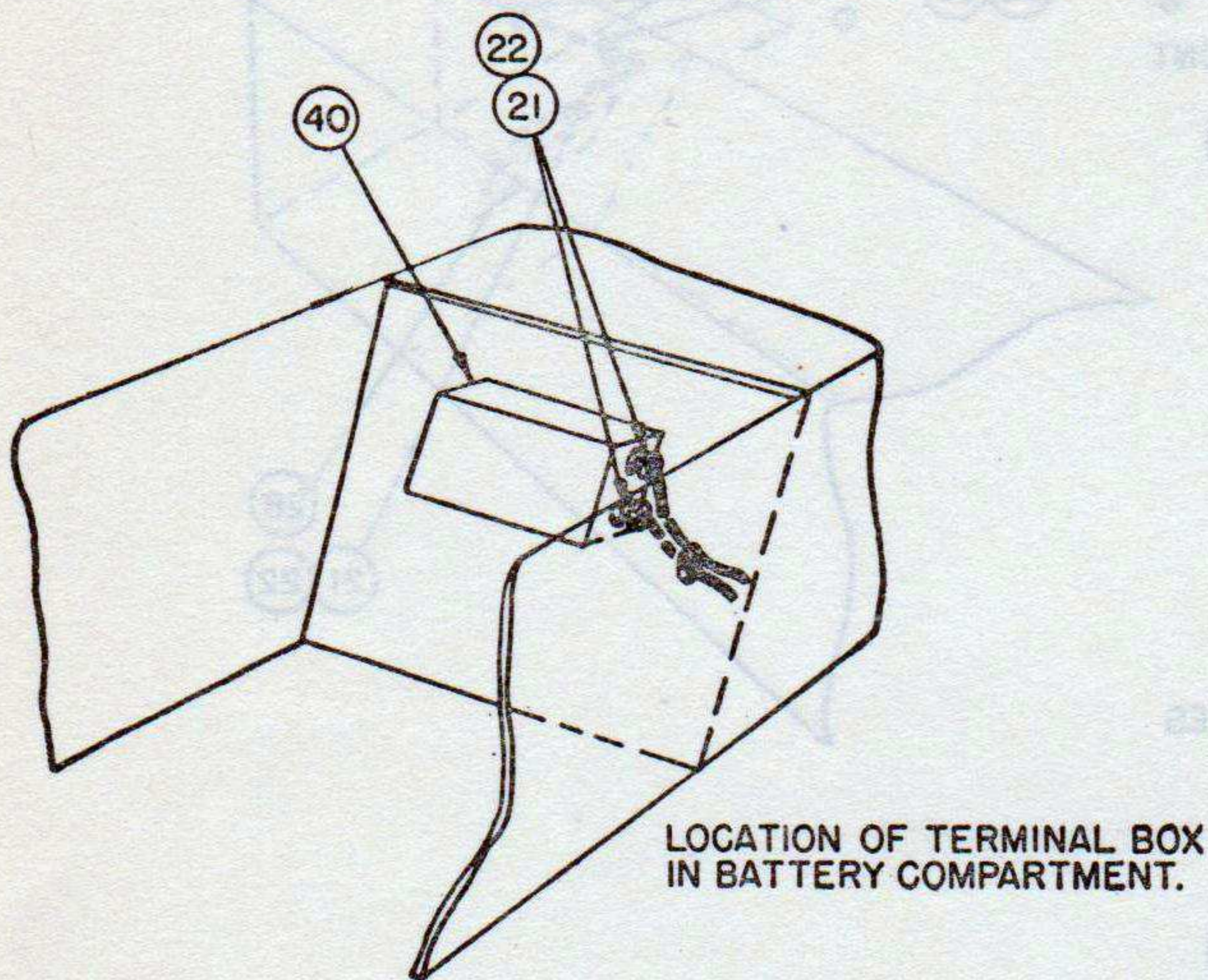
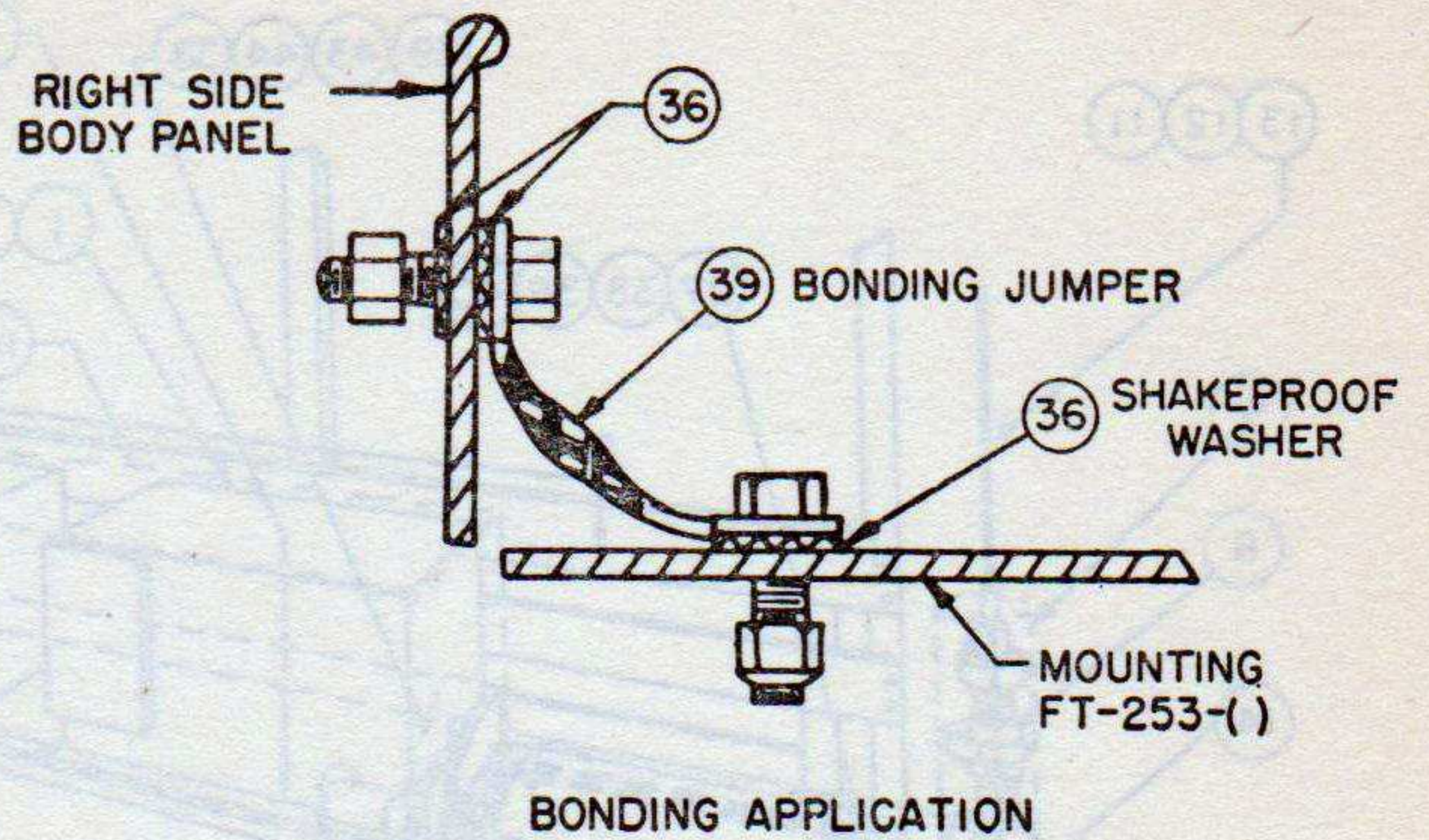
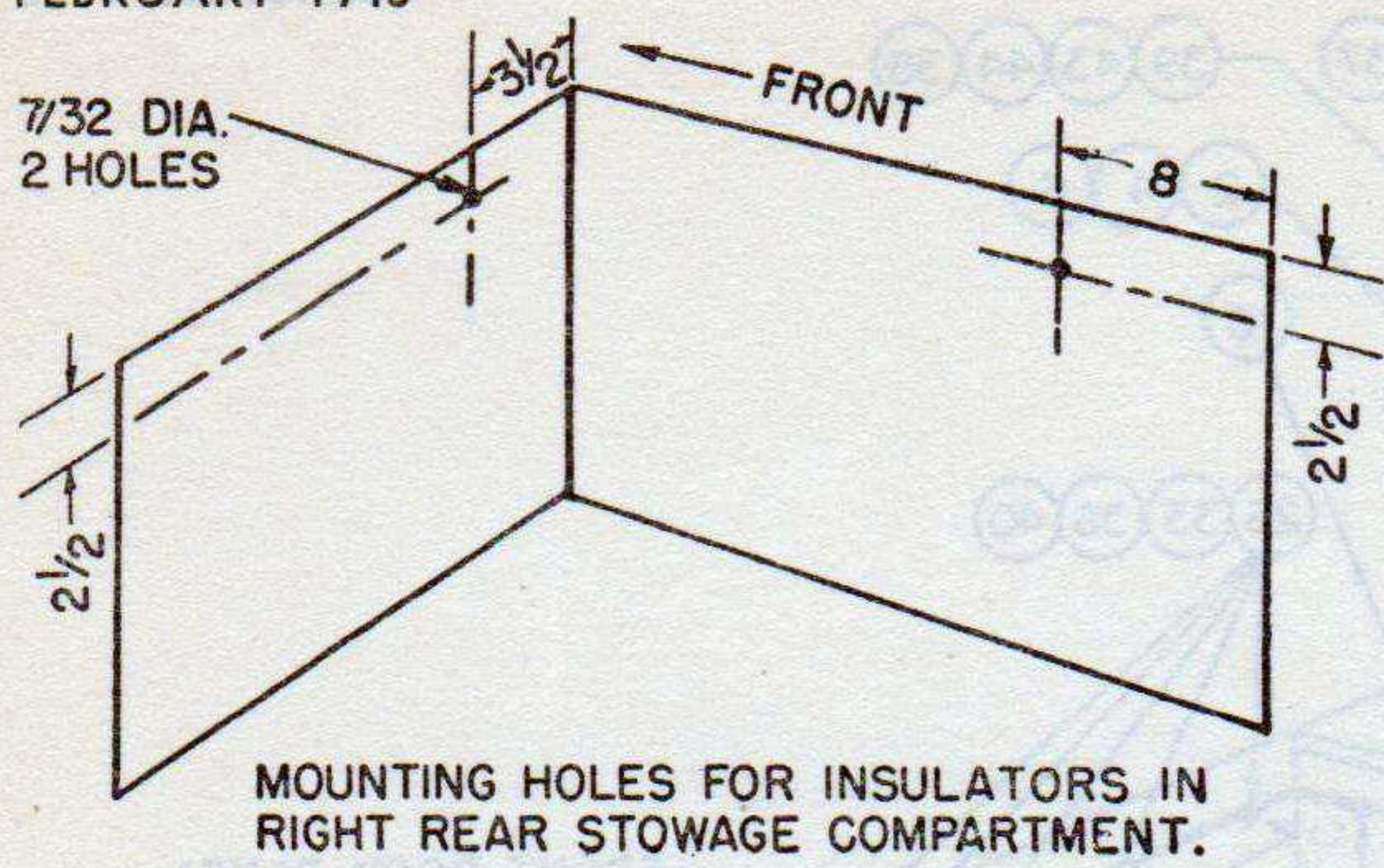
VIEW B-B



MTG. HOLES FOR BONDING STRAPS

TL15971-1

Figure 9. Installation of Radio Set SCR-506-() in Truck,

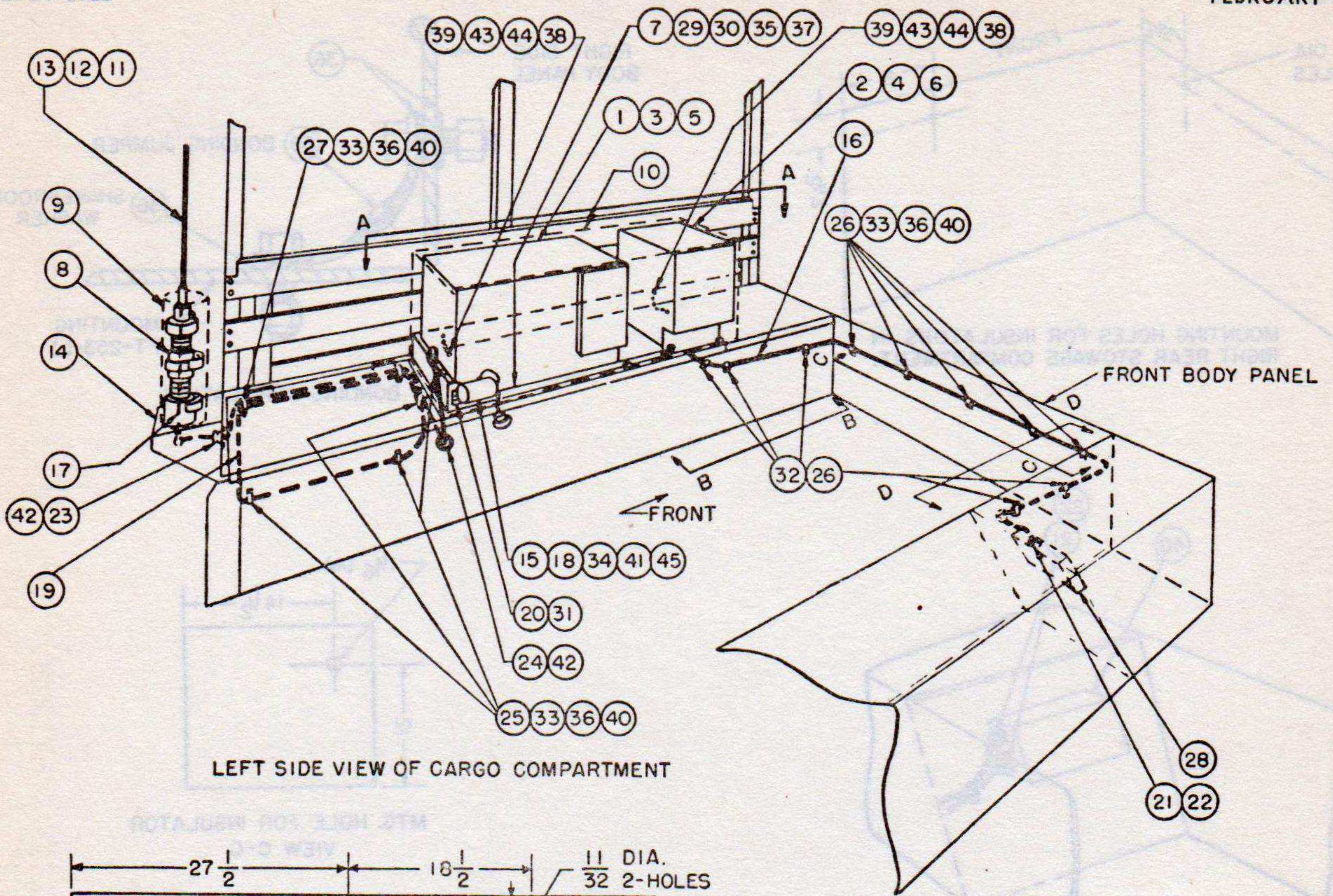


NOTES:

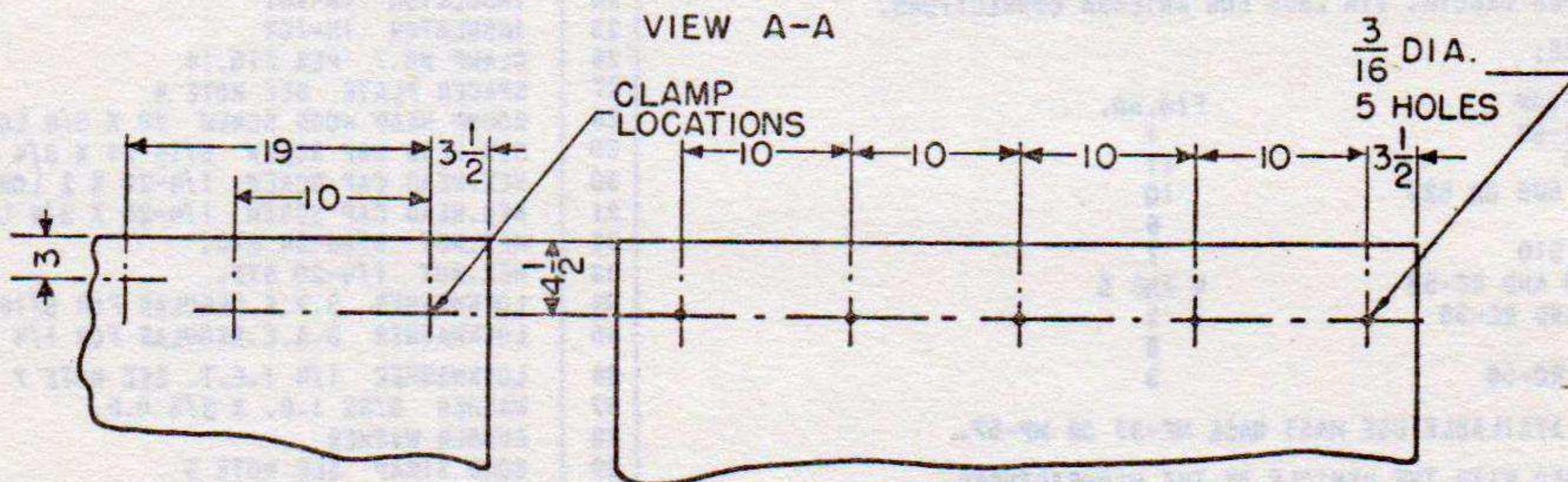
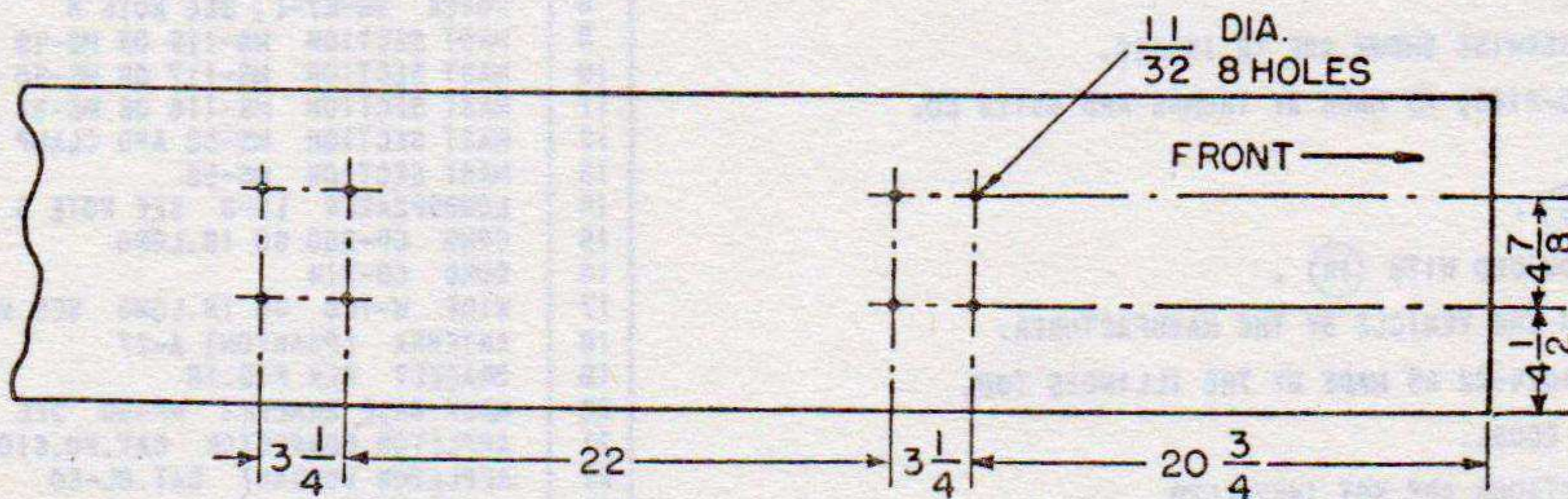
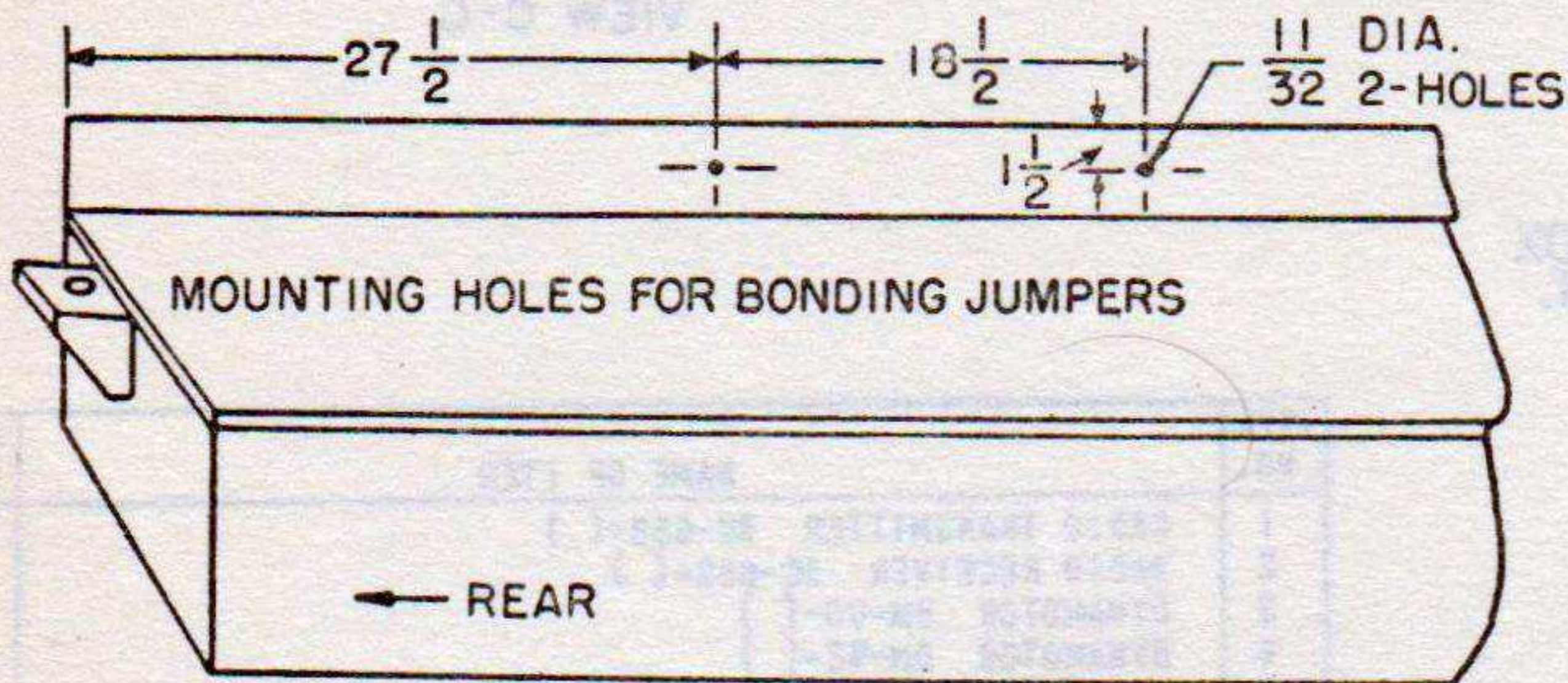
1. FOR ADDITIONAL COMPONENTS AND SPARE PARTS, SEE COMPONENT PARTS LIST.
2. DIMENSIONS UNLESS OTHERWISE SHOWN ARE IN INCHES.
3. (39) SHALL BE CAT.NO.C-510S, AS MADE BY THOMAS AND BETTS CO. OR EQUAL.
4. (27) FURNISHED WITH (5).
5. MOUNTING HARDWARE PROVIDED WITH (14).
6. (40) IS FURNISHED WITH THE VEHICLE BY THE MANUFACTURER.
7. (36) SHALL BE CAT.NO.4014-22 AS MADE BY THE ILLINOIS TOOL WORKS, CHICAGO, ILL.OR EQUAL.
8. USE (8) WHEN MAST SECTIONS ARE NOT INSTALLED.
9. CUT (17) TO PROPER LENGTH. TIN ENDS FOR ANTENNA CONNECTIONS.
10. DRAWING REFERENCE:

INSTALLATION	FIG.NO.
SCR-506 AND RC-58	1
SCR-510 OR 610	11
SCR-608, 628, 508 OR 528	10
SCR-193-U	6
SCR-193-U AND 510	7
SCR-193-U, 510 AND RC-58	4 AND 5
SCR-506, 510 AND RC-58	2
SCR-284	8
SCR-193-U AND RC-58	3
11. WHEN (6) IS NOT AVAILABLE USE MAST BASE MP-37 OR MP-57.
12. ONE (20) FURNISHED WITH THE VEHICLE BY THE MANUFACTURER.
13. USE MAST SECTIONS MS-49 THROUGH MS-53 WITH MAST BASE MP-37 OR MP-57 ONLY.

ITEM NO.	NAME OF ITEM	QUAN. REQ.
1	RADIO TRANSMITTER BC-653- ()	1
2	RADIO RECEIVER BC-652- ()	1
3	DYNAMOTOR DM-40- ()	1
4	DYNAMOTOR DM-42- ()	1
5	MOUNTING FT-253- ()	1
6	MAST BASE MP-65 SEE NOTE 11	1
7	COVER BG-103	1
8	COVER BG-67- () SEE NOTE 8	1
9	MAST SECTION MS-116 OR MS-49 AND CLAMP MC-421	1
10	MAST SECTION MS-117 OR MS-50 AND CLAMP MC-422	1
11	MAST SECTION MS-118 OR MS-51 AND CLAMP MC-423	1
12	MAST SECTION MS-52 AND CLAMP MC-424	1
13	MAST SECTION MS-53	1
14	LOUDSPEAKER LS-3 SEE NOTE 5	1
15	CORD CO-280 60 IN.LONG	2
16	CORD CD-314	1
17	WIRE W-146 65 IN.LONG SEE NOTE 9	1
18	ANTENNA (PHANTOM) A-27	1
19	BRACKET PER FIG.18	1
20	MAST BASE BRACKET MP-50. SEE NOTE 12	1
21	APPLETON CONNECTOR CAT.NO.61007	2
22	APPLETON BONDNUT CAT.BL-50	2
23	INSULATOR IN-121	1
24	INSULATOR IN-101	1
25	INSULATOR IN-104	3
26	CLAMP NO.7 PER FIG.14	2
27	SPACER PLATE SEE NOTE 4	6
28	ROUND HEAD WOOD SCREW #8 X 5/8 LONG	2
29	HEX.HEAD CAP SCREW 5/16-24 X 3/4 LONG	4
30	HEX.HEAD CAP SCREW 1/4-20 X 2 LONG	12
31	HEX.HEAD CAP SCREW 1/4-20 X 3/4 LONG	5
32	HEX.NUT 5/16-24 STD.	4
33	HEX.NUT 1/4-20 STD.	17
34	LOCKWASHER S.A.E.REGULAR FOR 5/16 SCREW	4
35	LOCKWASHER S.A.E.REGULAR FOR 1/4 SCREW	15
36	LOCKWASHER 1/4 I.E.T. SEE NOTE 7	6
37	WASHER 9/32 I.D. X 3/4 O.D.	12
38	RUBBER WASHER	2
39	BOND STRAP SEE NOTE 3	2
40	TERMINAL BOX C-100427 SEE NOTE 6	1
41	COVER CW-41/U	1



LEFT SIDE VIEW OF CARGO COMPARTMENT

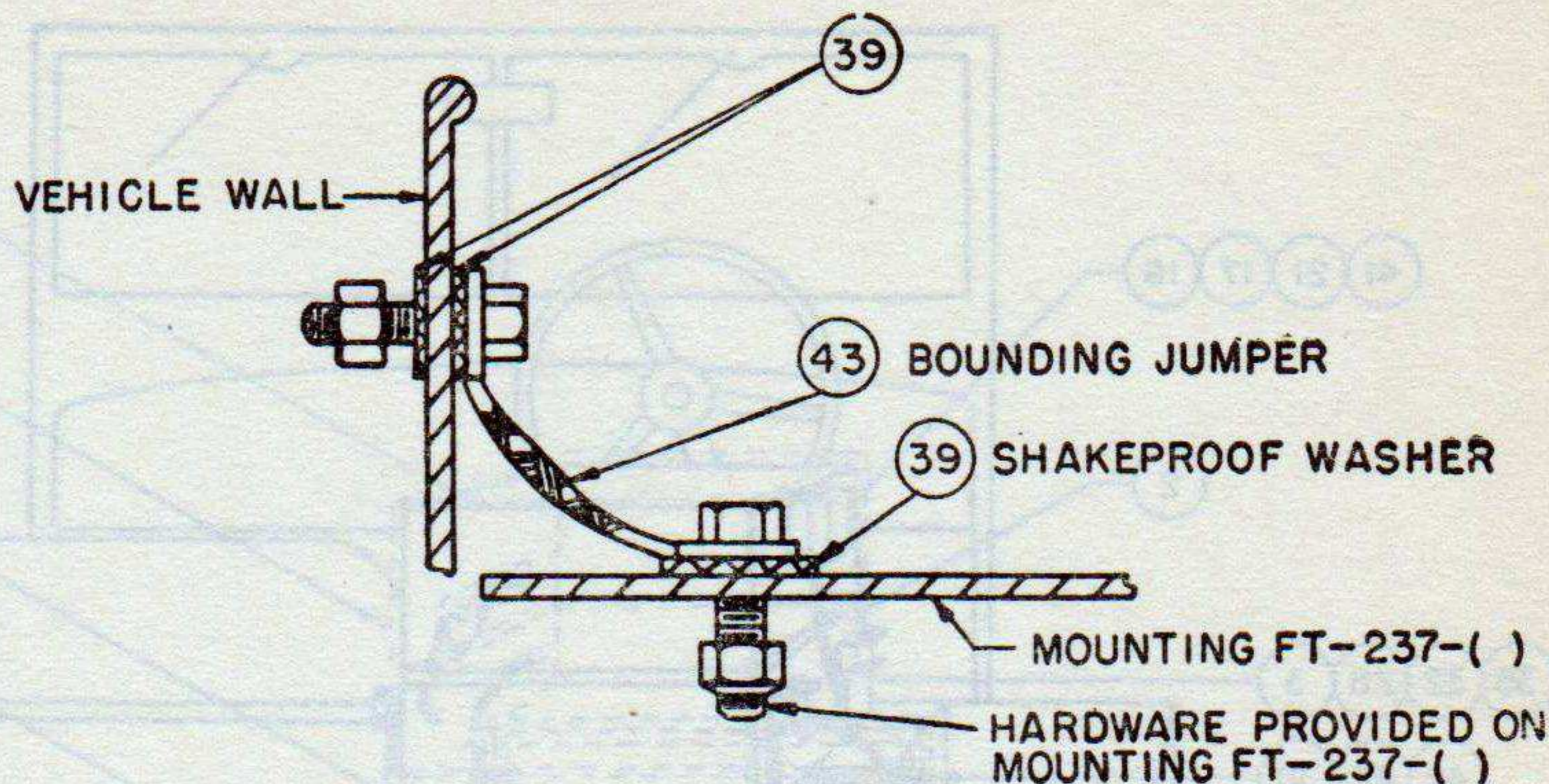
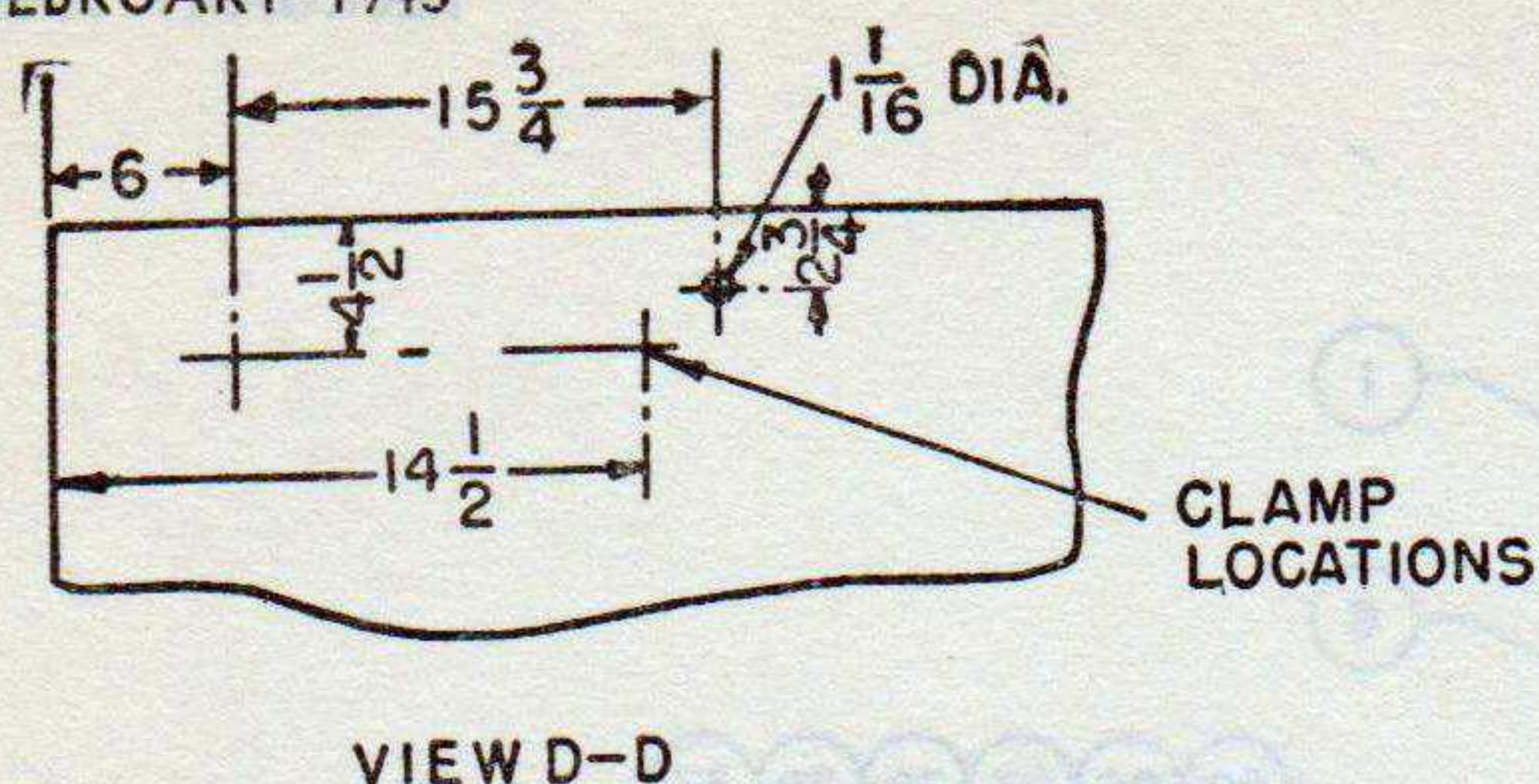


VIEW B-B

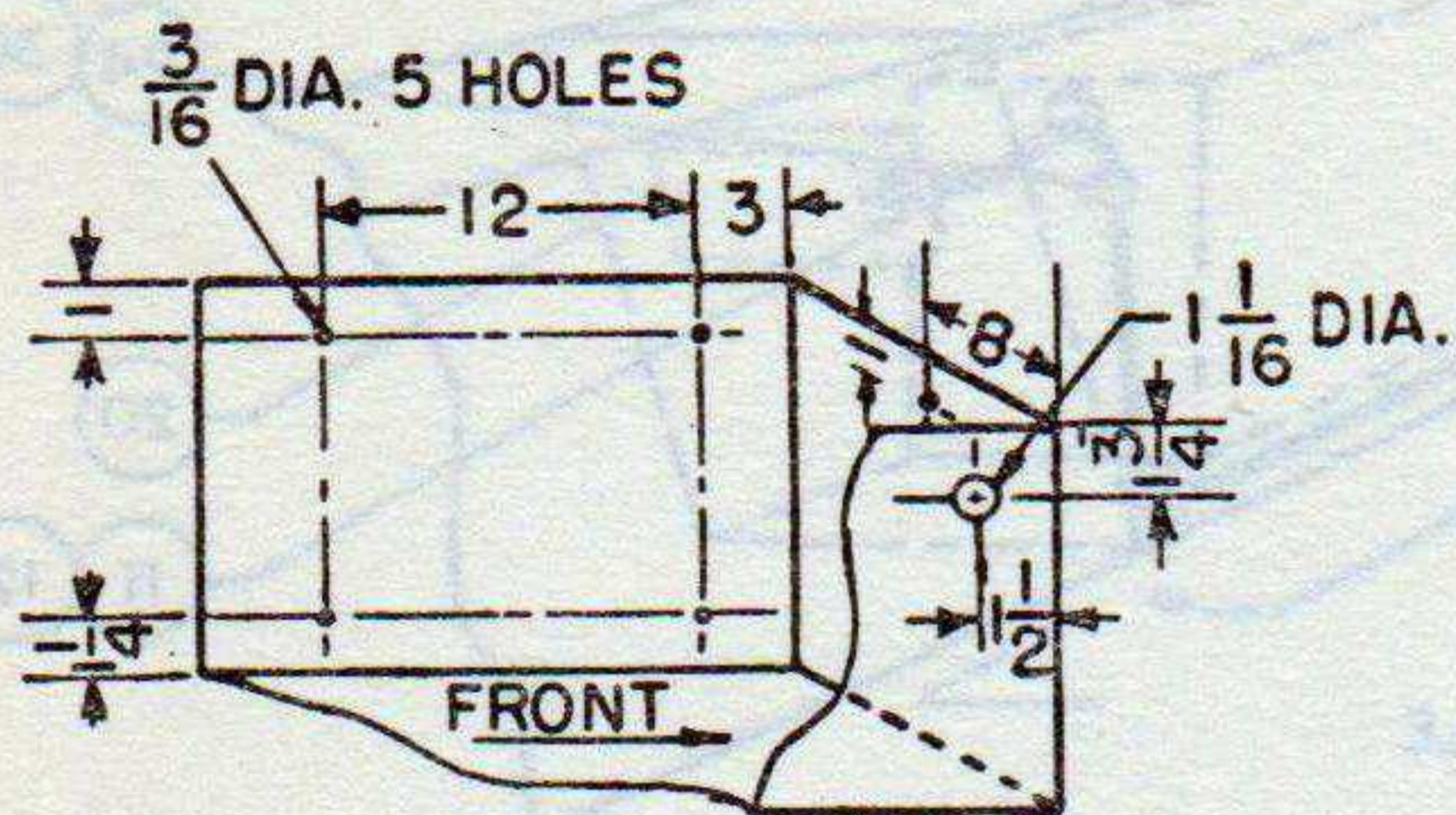
VIEW C-C

Figure 10. Installation of Radio Set SCR-508-(), SCR-528-(), SCR-608-(),

TL-15972-1



BONDING APPLICATION



MOUNTING HOLES FOR CLAMPS AND INSULATOR IN LEFT REAR STOWAGE COMPARTMENT.

NOTES:

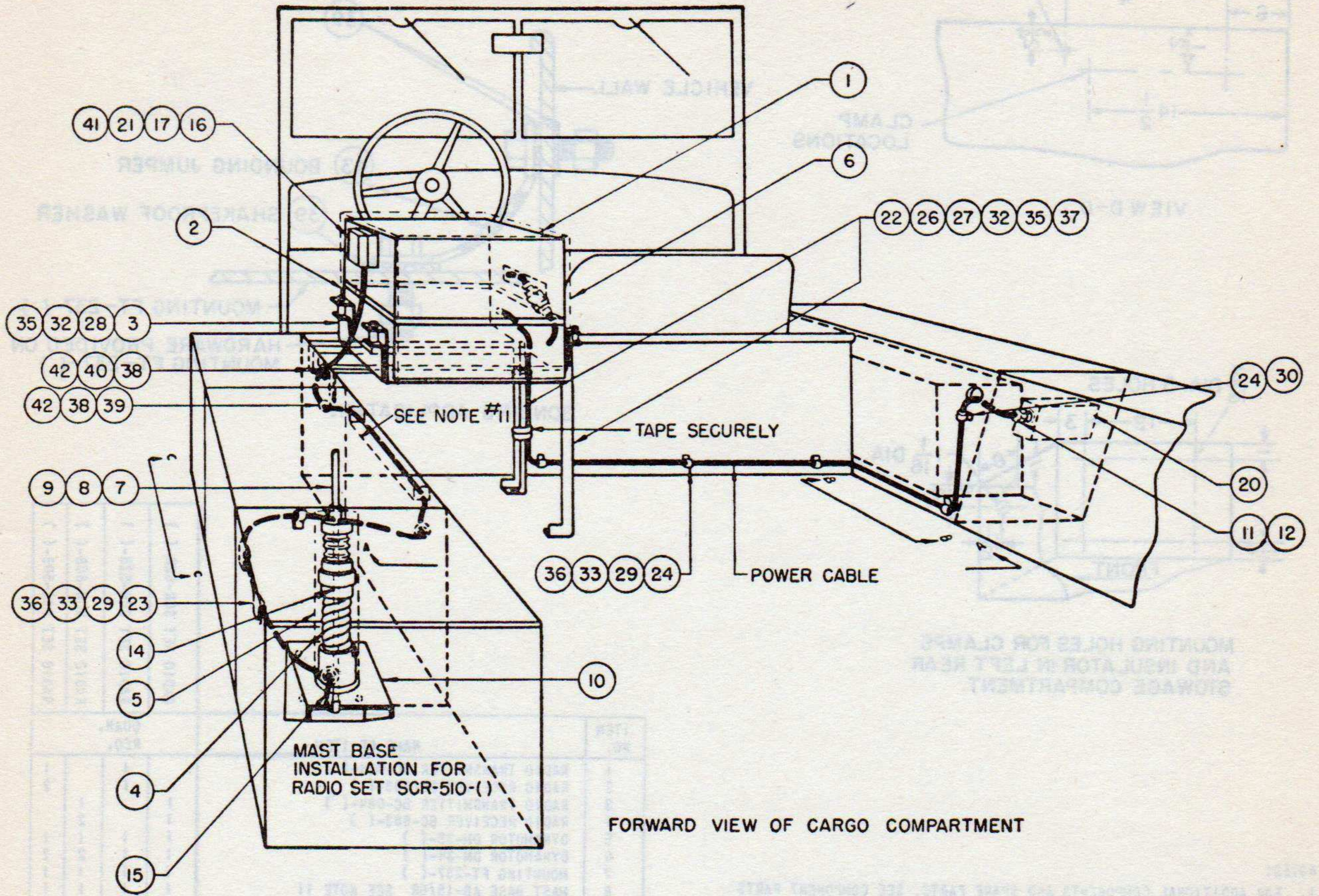
1. FOR ADDITIONAL COMPONENTS AND SPARE PARTS, SEE COMPONENT PARTS LIST.
2. UNLESS OTHERWISE SPECIFIED DIMENSIONS ARE IN INCHES.
3. WHEN USING ANTENNA A-62 (PHANTOM) FOR ALIGNING TRANSMITTER, DISCONNECT (19) FROM MOUNTING FT-237-(); CONNECT (18) FROM ANTENNA A-62 (PHANTOM) TO ANTENNA POST ON MOUNTING FT-237-().
4. (34) (20) (31) AND (41) SUPPLIED WITH PHANTOM ANTENNA A-62 OR ANTENNA A-83.
5. (25) IS SECURED WITH HARDWARE INSTALLED ON MOUNTING FT-237-() FORWARD OF "TR" POST. SHIELD OF (19) SECURELY SOLDERED TO (25)
6. (14) AND (28) ARE FURNISHED WITH THE VEHICLE BY THE MANUFACTURER.
7. FOR MOUNTING (43) SEE SKETCH.
8. (9) SHALL BE USED WHEN MAST SECTIONS ARE NOT INSTALLED.
9. (43) SHALL BE CAT. NO. C-T10T AS MADE BY THOMAS AND BETTS CO., OR EQUAL.
10. (39) SHALL BE CAT. NO. 4018-24 AS MADE BY ILLINOIS TOOL WORKS, CHICAGO, ILL., OR EQUAL.
11. WHEN (8) IS NOT AVAILABLE, USE MAST BASE MP-48, LESS CORD CD-689 OR MP-48-A WITH CORD CD-689.

12. DRAWING REFERENCES:

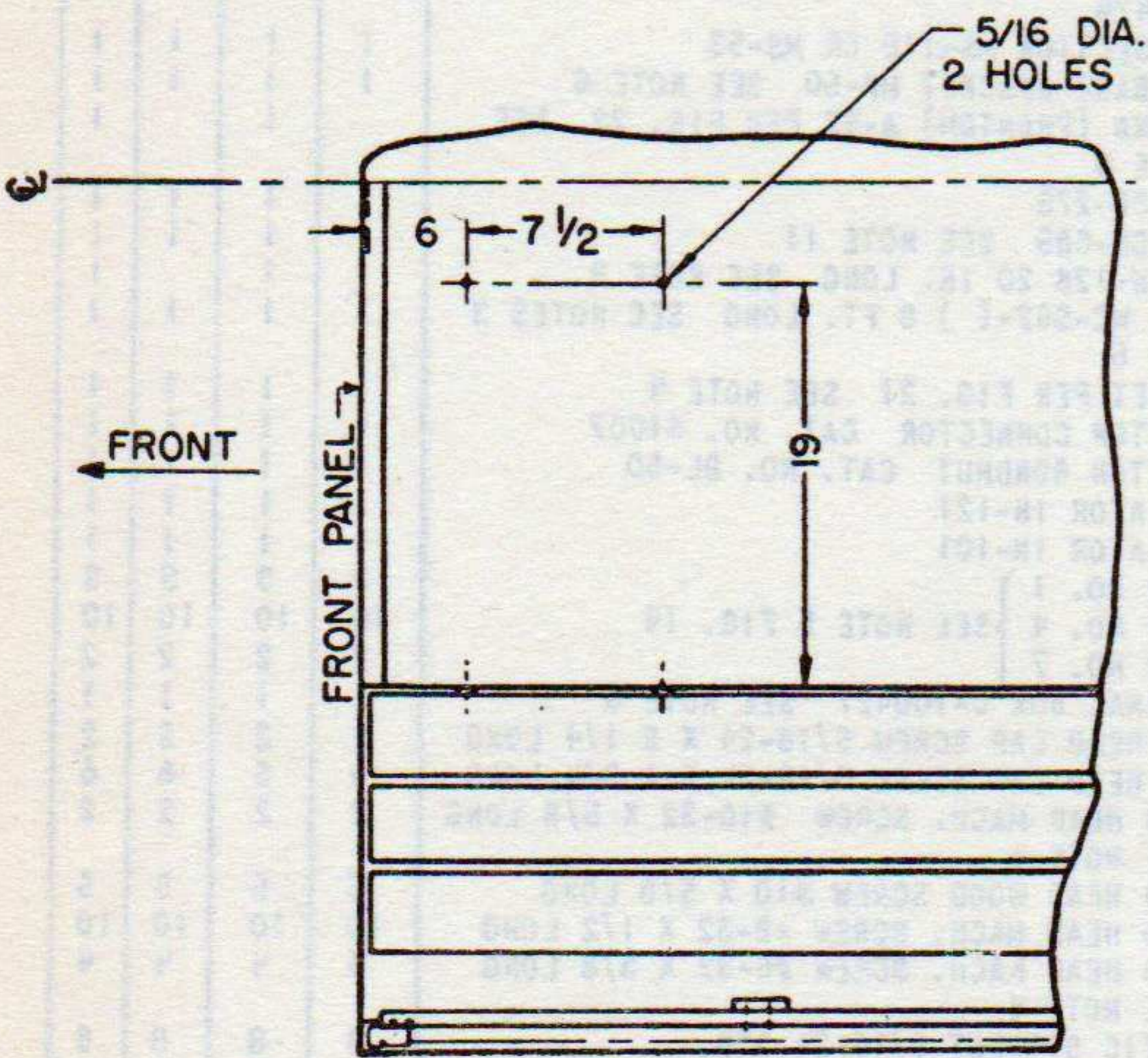
INSTALLATION	FIG. NO.
SCR-506 AND RC-58	1
SCR-506	9
SCR-510 OR 610	11
SCR-193-U	6
SCR-193-U AND 510	7
SCR-193-U, 510 AND RC-58	4 AND 5
SCR-506, 510 AND RC-58	2
SCR-284	8
SCR-193-U AND RC-58	3

ITEM NO.	NAME OF ITEM	QUAN. REQ.			
		RADIO SET SCR-628-()	RADIO SET SCR-528-()	RADIO SET SCR-608-()	RADIO SET SCR-508-()
1	RADIO TRANSMITTER BC-604-()		1		1
2	RADIO RECEIVER BC-603-()		1		2
3	RADIO TRANSMITTER BC-684-()	1		1	
4	RADIO RECEIVER BC-683-()	1		2	
5	DYNAMOTOR DM-35-()	1	1	1	1
6	DYNAMOTOR DM-34-()	1	1	2	2
7	MOUNTING FT-237-()	1	1	1	1
8	MAST BASE AB-15/GR SEE NOTE 11	1	1	1	1
9	COVER BG-108 SEE NOTE 8	1	1	1	1
10	COVER BG-96	1	1	1	1
11	MAST SECTION MS-116 OR MS-51 AND CLAMP MC-423	1	1	1	1
12	MAST SECTION MS-117 OR MS-52 AND CLAMP MC-424	1	1	1	1
13	MAST SECTION MS-118 OR MS-53	1	1	1	1
14	MAST BASE BRACKET MP-50 SEE NOTE 6	1	1	1	1
15	ANTENNA (PHANTOM) A-62 PER FIG. 22 SEE NOTE 4	1	1	1	1
16	CORD CO-278	1	1	1	1
17	CORD CD-689 SEE NOTE 11	1	1	1	1
18	WIRE W-128 20 IN. LONG SEE NOTE 3	1	1	1	1
19	CABLE WC-562-() 8 FT. LONG SEE NOTES 3 AND 5	1	1	1	1
20	BRACKET PER FIG. 21 SEE NOTE 4	1	1	1	1
21	APPLETON CONNECTOR CAT. NO. 61007	1	1	1	1
22	APPLETON BONDNUT CAT. NO. BL-50	1	1	1	1
23	INSULATOR IN-121	1	1	1	1
24	INSULATOR IN-101	1	1	1	1
25	CLAMP NO. 1	3	3	3	3
26	CLAMP NO. 4	10	10	10	10
27	CLAMP NO. 7	2	2	2	2
28	TERMINAL BOX C-100427 SEE NOTE 6	1	1	1	1
29	HEX. HEAD CAP SCREW 5/16-24 X 2 1/4 LONG	2	2	2	2
30	HEX. HEAD CAP SCREW 5/16-24 X 1 3/4 LONG	6	6	6	6
31	ROUND HEAD MACH. SCREW #10-32 X 5/8 LONG SEE NOTE 4	2	2	2	2
32	ROUND HEAD WOOD SCREW #10 X 5/8 LONG	5	5	5	5
33	ROUND HEAD MACH. SCREW #8-32 X 1/2 LONG	10	10	10	10
34	ROUND HEAD MACH. SCREW #6-32 X 3/8 LONG SEE NOTE 4	4	4	4	4
35	ELASTIC STOPNUT 5/16-24 STD.	8	8	8	8
36	HEX. NUT #8-32 STD.	10	10	10	10
37	FLATWASHER 5/16 I. D. X 1" O. D.	8	8	8	8
38	HEX. NUT 5/16-24 STD.	2	2	2	2
39	LOCKWASHER 5/16 I. E. T. SEE NOTE 10	6	6	6	6
40	LOCKWASHER S. A. E. REGULAR FOR #8 SCREW	10	10	10	10
41	LOCKWASHER S. A. E. REGULAR FOR #6 SCREW	4	4	4	4
42	RUBBER WASHER	2	2	2	2
43	BONDING JUMPER SEE NOTES 7 AND 9	2	2	2	2
44	HEX. HEAD CAP SCREW 5/16-24 X 3/4 LONG	2	2	2	2
45	ANTENNA PHANTOM A-83 SEE NOTE 4	1		1	

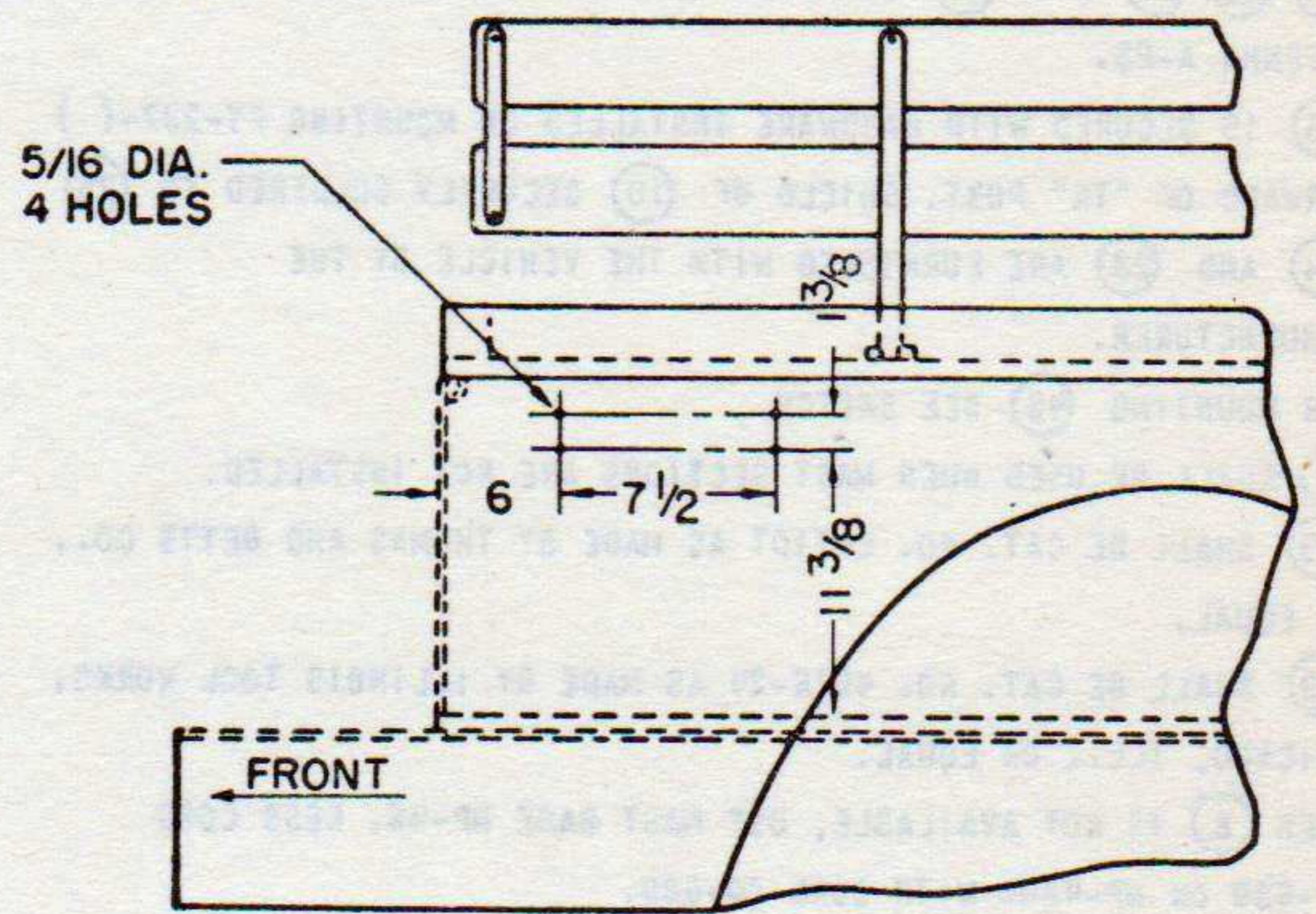
or SCR-628-() in Truck, 3/4-ton, 4x4, Weapon Carrier (12-volt).



FORWARD VIEW OF CARGO COMPARTMENT



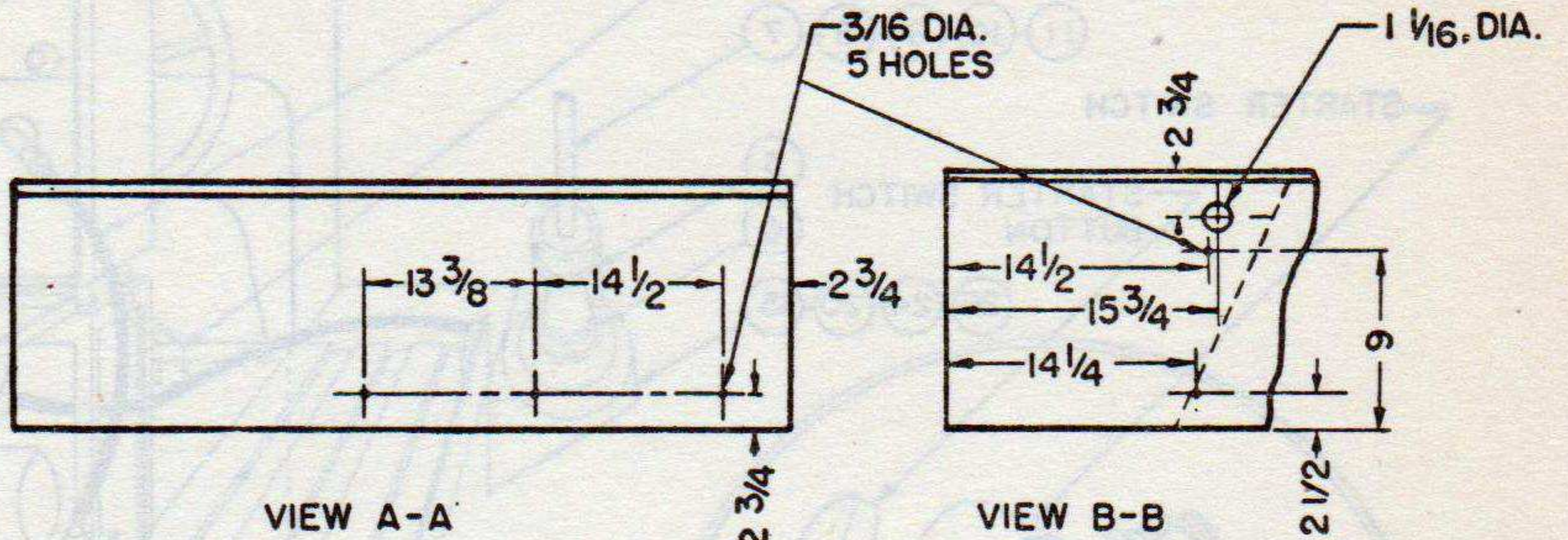
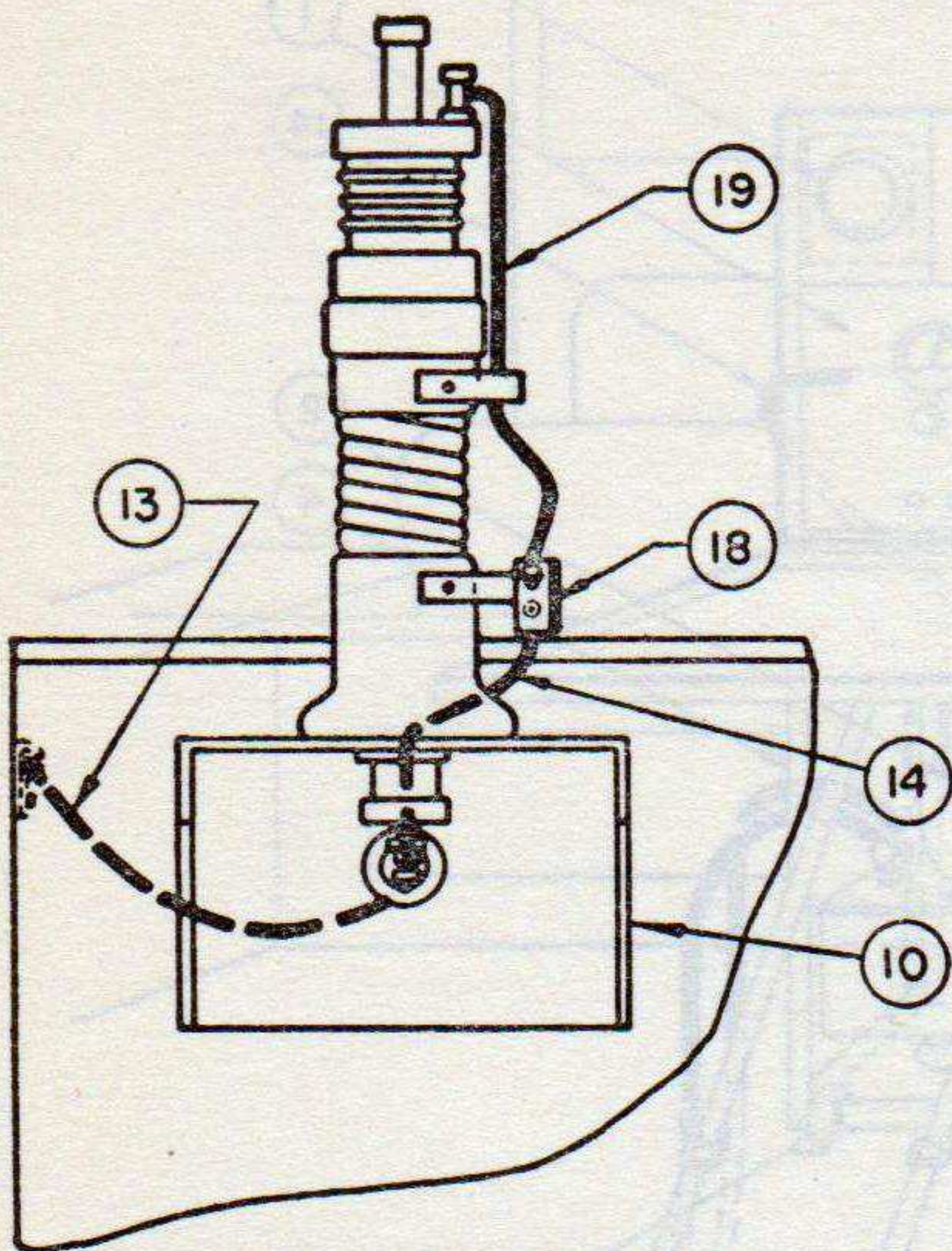
PLAN VIEW



VIEW C-C

TL15973-1

Figure 11. Installation of Radio Set SCR-510-() or SCR-610-() in



MAST BASE INSTALLATION
FOR RADIO SET SCR-610-()
USING MP-48 OR MP-48-A

NOTE:

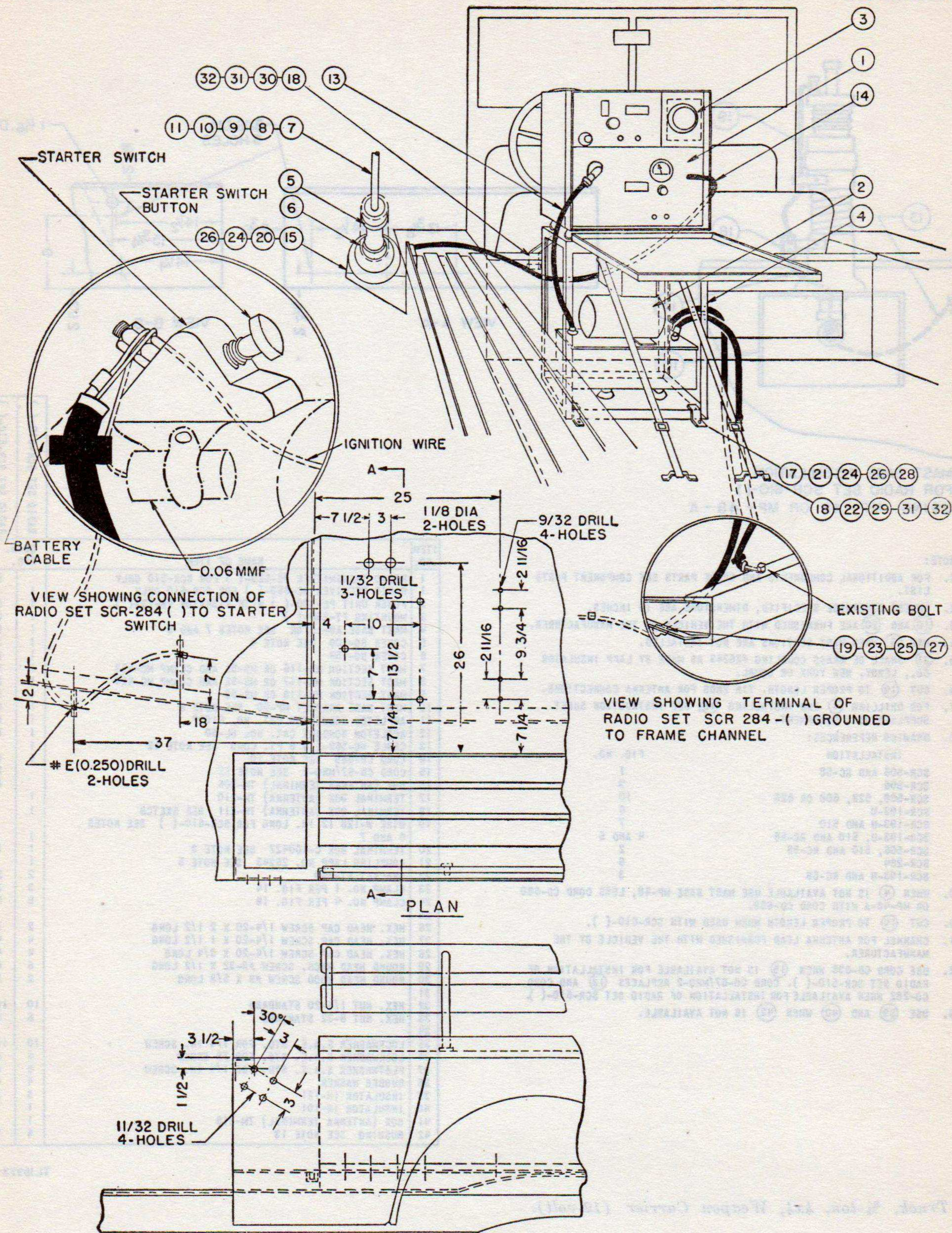
1. FOR ADDITIONAL COMPONENTS AND SPARE PARTS SEE COMPONENT PARTS LIST.
2. UNLESS OTHERWISE SPECIFIED, DIMENSIONS ARE IN INCHES.
3. (10) AND (20) ARE FURNISHED WITH THE VEHICLE BY THE MANUFACTURER.
4. USE (5) WHEN MAST SECTIONS ARE NOT INSTALLED.
5. (21) SHALL BE BRASS COUPLING #26243 AS MADE BY LAPP INSULATOR CO., LEROY, NEW YORK OR EQUAL.
6. CUT (19) TO PROPER LENGTH. TIN ENDS FOR ANTENNA CONNECTIONS.
7. FOR DRILLING (4) AND INSTALLING (18), SEE INSTRUCTION SHEET SUPPLIED WITH EQUIPMENT.
8. DRAWING REFERENCES:

INSTALLATION	FIG. NO.
SCR-506 AND RC-58	1
SCR-506	9
SCR-508, 528, 608 OR 628	10
SCR-193-U	6
SCR-193-U AND 510	7
SCR-193-U, 510 AND RC-58	4 AND 5
SCR-506, 510 AND RC-58	2
SCR-284	8
SCR-193-U AND RC-58	3
9. WHEN (4) IS NOT AVAILABLE USE MAST BASE MP-48, LESS CORD CD-689 OR MP-48-A WITH CORD CD-689.
10. CUT (14) TO PROPER LENGTH WHEN USED WITH SCR-610-().
11. CHANNEL FOR ANTENNA LEAD FURNISHED WITH THE VEHICLE BY THE MANUFACTURER.
12. USE CORD CD-636 WHEN (15) IS NOT AVAILABLE FOR INSTALLATION OF RADIO SET SCR-510-(). CORD CG-67/MRQ-2 REPLACES (13) AND CORD CO-282 WHEN AVAILABLE FOR INSTALLATION OF RADIO SET SCR-610-().
13. USE (39) AND (40) WHEN (42) IS NOT AVAILABLE.

ITEM NO.	NAME OF ITEM	QUAN. REQ.	
		RADIO SET SCR-610-()	RADIO SET SCR-510-()
1	RADIO TRANSMITTER BC-620-() FOR SCR-510 ONLY	1	1
1	RADIO RECEIVER BC-659-() FOR SCR-610 ONLY	1	1
2	POWER UNIT PE-120-() WITH VIBRATOR VB-13-()	1	1
3	MOUNTING FT-250-()	1	1
4	MAST BASE AB-15/GR SEE NOTES 7 AND 9	1	1
5	COVER BG-108 SEE NOTE 4	1	1
6	COVER BG-153	1	1
7	MAST SECTION MS-116 OR MS-51 AND CLAMP MC-423	1	1
8	MAST SECTION MS-117 OR MS-52 AND CLAMP MC-424	1	1
9	MAST SECTION MS-118 OR MS-53	1	1
10	MAST BASE BRACKET MP-50 SEE NOTE 3	1	1
11	APPLETON CONNECTOR CAT. NO. 61007	1	1
12	APPLETON BONDNUT CAT. NO. BL-50	1	1
13	CABLE WC-562-() 9 FT. LONG SEE NOTE 12	1	1
14	CORD CD-689 SEE NOTE 10	1	1
15	CORD CD-67/MRQ-2 SEE NOTE 12	1	1
16	BOX (ANTENNA TERMINAL) TM-206	1	1
17	TERMINAL BOX (ANTENNA) TM-210	1	1
18	TERMINAL BOX (ANTENNA) TM-211 SEE SKETCH	1	1
19	WIRE W-128 12 IN. LONG FOR SCR-610-() SEE NOTES 6 AND 7	1	1
20	TERMINAL BOX C-100427 SEE NOTE 3	1	1
21	COUPLING LAPP NO. 26243 SEE NOTE 5	1	1
22	BRACKET FT-449	2	2
23	CLAMP NO. 1 PER FIG. 14	3	3
24	CLAMP NO. 4 PER FIG. 14	5	5
25			
26	HEX. HEAD CAP SCREW 1/4-20 X 2 1/2 LONG	2	2
27	HEX. HEAD CAP SCREW 1/4-20 X 1 1/2 LONG	4	4
28	HEX. HEAD CAP SCREW 1/4-20 X 3/4 LONG	4	4
29	ROUND HEAD MACH. SCREW #8-32 X 1/2 LONG	6	6
30	ROUND HEAD WOOD SCREW #8 X 5/8 LONG	2	2
31			
32	HEX. NUT 1/4-20 STANDARD	10	10
33	HEX. NUT 8-32 STANDARD	6	6
34			
35	LOCKWASHER S.A.E. STD. FOR 1/4 IN. SCREW	10	10
36	LOCKWASHER S.A.E. STD. FOR #8 SCREW	6	6
37	FLATWASHER S.A.E. STD. FOR 1/4 IN. SCREW	6	6
38	RUBBER WASHER	4	4
39	INSULATOR IN-121	3	3
40	INSULATOR IN-101	1	1
41	BOX (ANTENNA TERMINAL) TM-218	1	1
42	BUSHING SEE NOTE 13	4	4

TL 15973-2

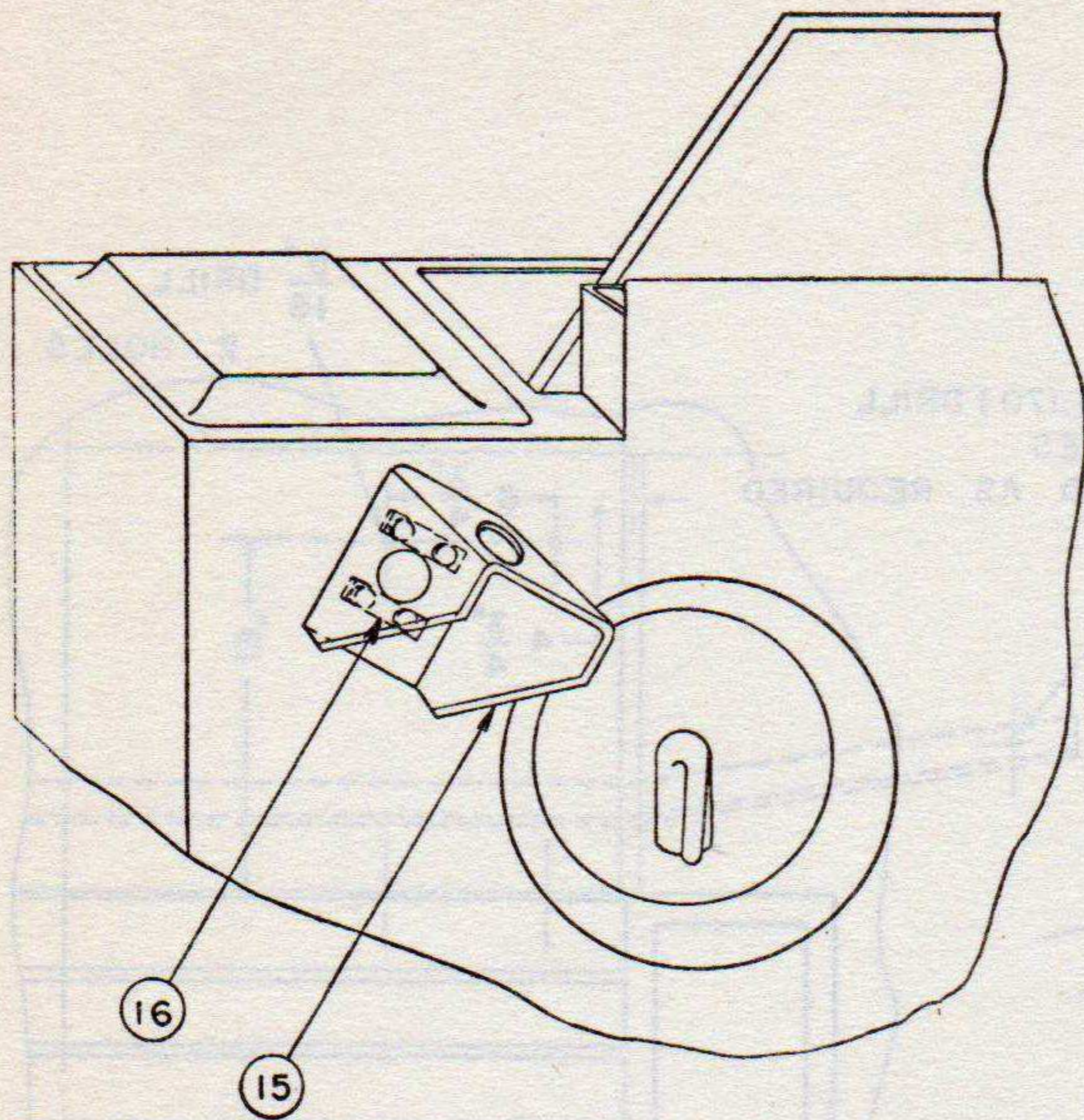
Truck, 3/4-ton, 4x4, Weapon Carrier (12-volt).



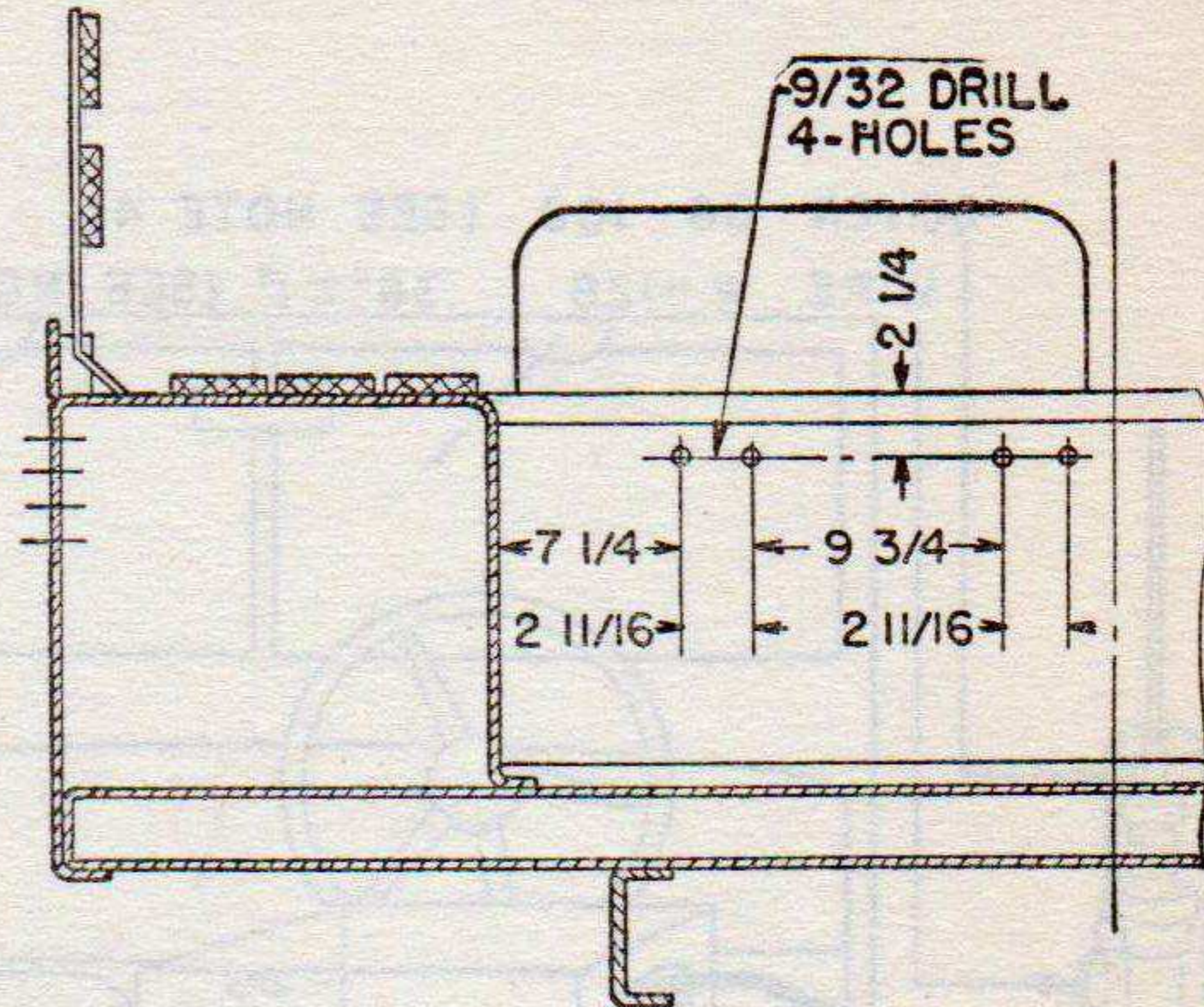
SIDE
LOCATION OF MOUNTING HOLES

TL-15974-1

Figure 12. Installation of Radio Set SCR-284-() in Truck,



VIEW SHOWING MOUNTING OF (15) AND (16)



SECTION A-A

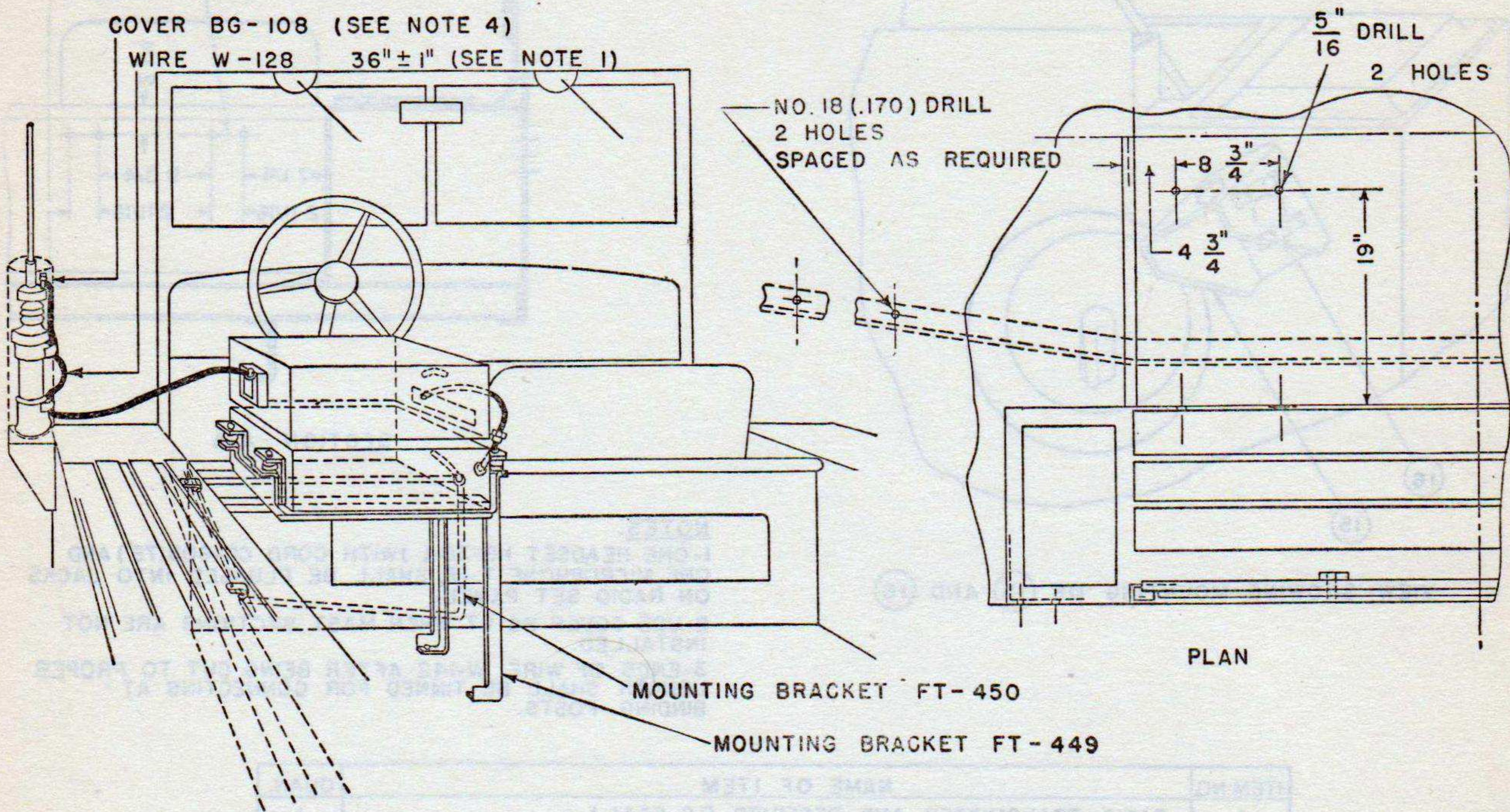
NOTES:

- 1-ONE HEADSET HS-30-() WITH CORD CD-605(78") AND ONE MICROPHONE T-17, SHALL BE PLUGGED INTO JACKS ON RADIO SET PANEL.
- 2-USE COVER BG-67 WHEN MAST SECTIONS ARE NOT INSTALLED.
- 3-ENDS OF WIRE W-142 AFTER BEING CUT TO PROPER LENGTH SHALL BE TINNED FOR CONNECTING AT BINDING POSTS.

ITEM NO.	NAME OF ITEM	QUAN.
1	RADIO TRANSMITTER AND RECEIVER BC-654()	1
2	POWER UNIT PE-103-()	1
3	POWER CONVERTER UNIT PE-104-()	1
4	FRAME FM-41-()	1
5	MAST BASE MP-57 OR MP-37 FIGURE 17	1
6	COVER BG-67 SEE NOTE #2	1
7	MAST SECTION MS-53	1
8	MAST SECTION MS-52 WITH CLAMP MC-424	1
9	MAST SECTION MS-51 WITH CLAMP MC-423	1
10	MAST SECTION MS-50 WITH CLAMP MC-422	1
11	MAST SECTION MS-49 WITH CLAMP MC-421	1
13	CORD CD-501	1
14	WIRE W-142 SEE NOTE #3	1
15	MAST BASE BRACKET MP-50	1
16	REINFORCING PLATE FT-429 FIGURE 15	2
17	Z-BRACKET	3
18	STRAP HOLDER	4
19	CLAMP NUMBER 7 FIGURE 14	2
20	HEX. HEAD MACHINE SCREW 5/16-24x1 1/4 LONG	4
21	HEX. HEAD MACHINE SCREW 5/16-24x2 1/4 LONG	3
22	ROUND HEAD MACHINE SCREW 1/4-20x1 1/2 LONG	4
23	ROUND HEAD MACHINE SCREW #10-32x3/4 LONG	2
24	HEX. NUT 5/16-24	7
25	HEX. NUT #10-32	2
26	LOCK WASHER SAE. REG. FOR 5/16 SCR.	7
27	LOCK WASHER SAE. REG. FOR #10 SCR.	2
28	FLAT WASHER STD. FOR 5/16 SCR.	3
29	FLAT WASHER STD. FOR 1/4 SCR.	4
30	ROUND HEAD MACHINE SCREW 1/4-20x3/4 LONG	4
31	HEX. NUT 1/4-20	8
32	LOCK WASHER SAE. STD. FOR 1/4 SCR.	8

3/4-ton, 4x4, Weapon Carrier (6-volt), mounting holes.

TL-15974-2



MAST SECTIONS MS-51, MS-52 AND MS-53.

RADIO RECEIVER AND TRANSMITTER
BG-659-()

PLATE SUPPLY UNIT PE-117-() OR
PE-120-() AND VIBRATOR VB-12

MOUNTING FT-250-()

APPLETON CONNECTOR NO. 61007
BOND NUT BL-50

MAST BASE MP-48 OR MP-48-A

MAST BASE BRACKET MP-50

REINFORCING PLATE FT-429 FIGURE 15

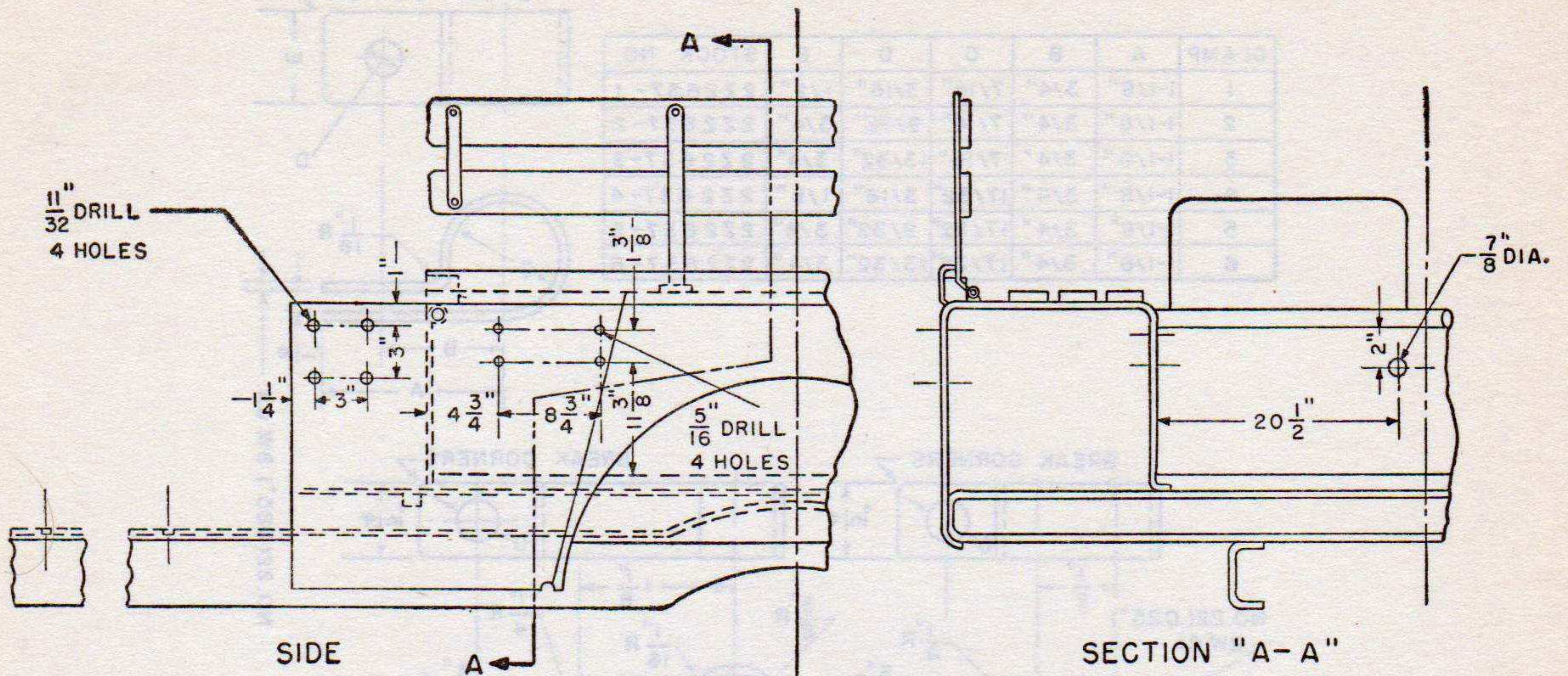
CLAMP NO. 4, FIGURE 14

CONNECT TO STARTER SWITCH IF NO
TERMINAL BOX IS PROVIDED.

WIRE W-128
36"±1"
(SEE NOTE 1)

TL-15975-1

Figure 13. Installation of Radio Set SCR-610-()



LOCATION OF MOUNTING HOLES

SCREWS, NUTS AND WASHERS REQUIRED FOR MOUNTING:

MAST BASE BRACKET MP-50 AND REINFORCING PLATE FT-429 (FIG 15)

- 4- $\frac{5}{16}$ " - 24 X $\frac{3}{4}$ " HEX. HD MACH SCREWS.
- 4- $\frac{5}{16}$ " - 24 HEX. NUTS.
- 4- $\frac{5}{16}$ " - LOCKWASHERS.

MOUNTING BRACKET FT-449 AND FT-450

- 4- $\frac{1}{4}$ " - 20 X $\frac{3}{4}$ " HEX. HD. MACH. SCREWS.
- 2- $\frac{1}{4}$ " - 20 X $2\frac{1}{4}$ " HEX HD. MACH. SCREWS.
- 6- $\frac{1}{4}$ " - 20 HEX. NUTS.
- 6- $\frac{1}{4}$ " LOCKWASHERS
- 2- $\frac{1}{4}$ " STANDARD WASHER

CLAMP #4 PER FIG 14 (2 REQ.)

- 2- #8 - 32 X $\frac{5}{8}$ " RD. HD. MACH. SCREWS
- 2- #8 - 32 HEX NUTS
- 2- #8 LOCKWASHERS

MOUNTING FT-250-()

- 4- $\frac{1}{4}$ " - 20 X $\frac{3}{4}$ " HEX. HD. MACH. SCREWS
- 4- $\frac{1}{4}$ " - 20 HEX. NUTS
- 4- $\frac{1}{4}$ " LOCKWASHERS

ALL SCREWS, NUTS AND LOCKWASHERS SHALL BE STEEL, ELECTRO-GALVANIZED.

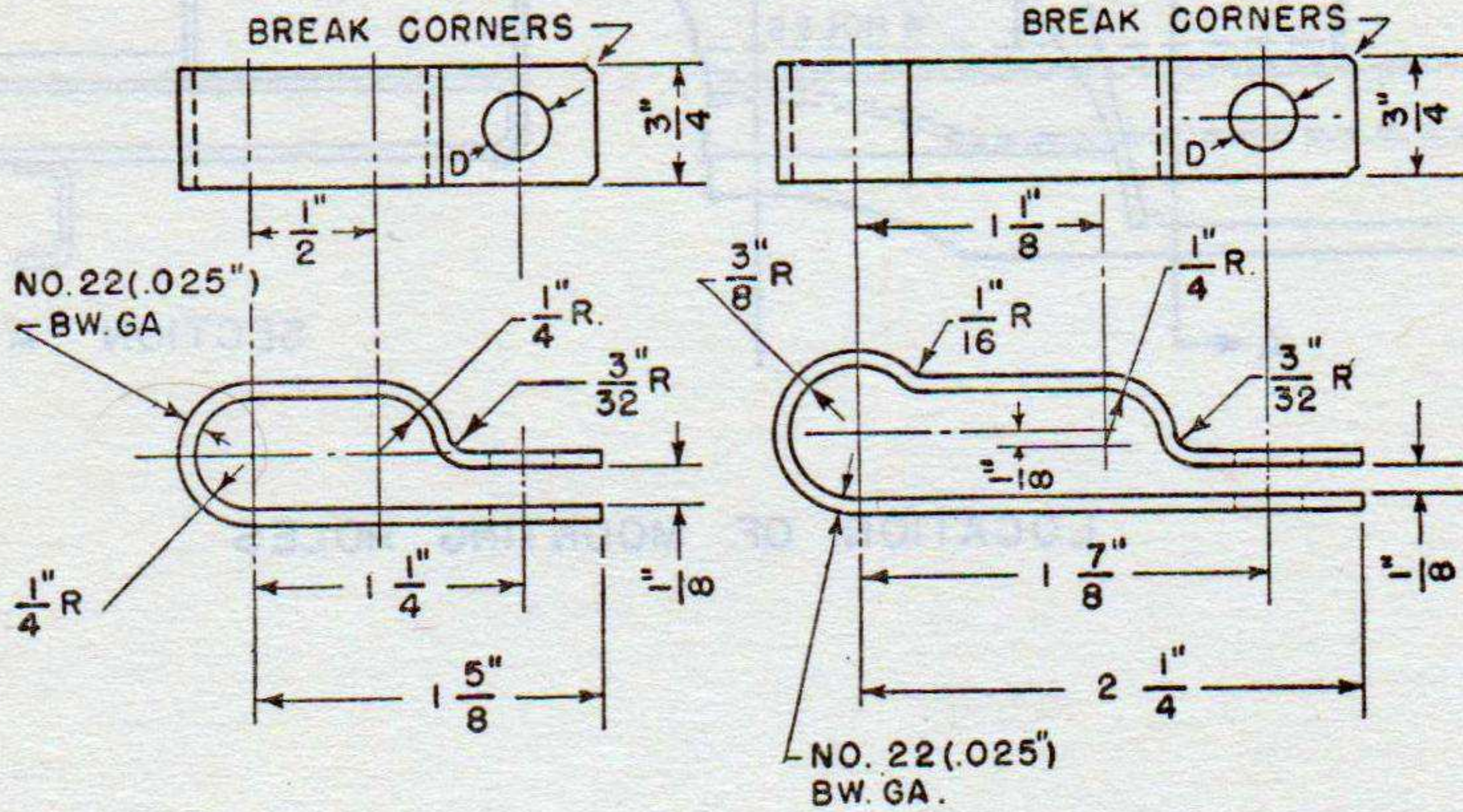
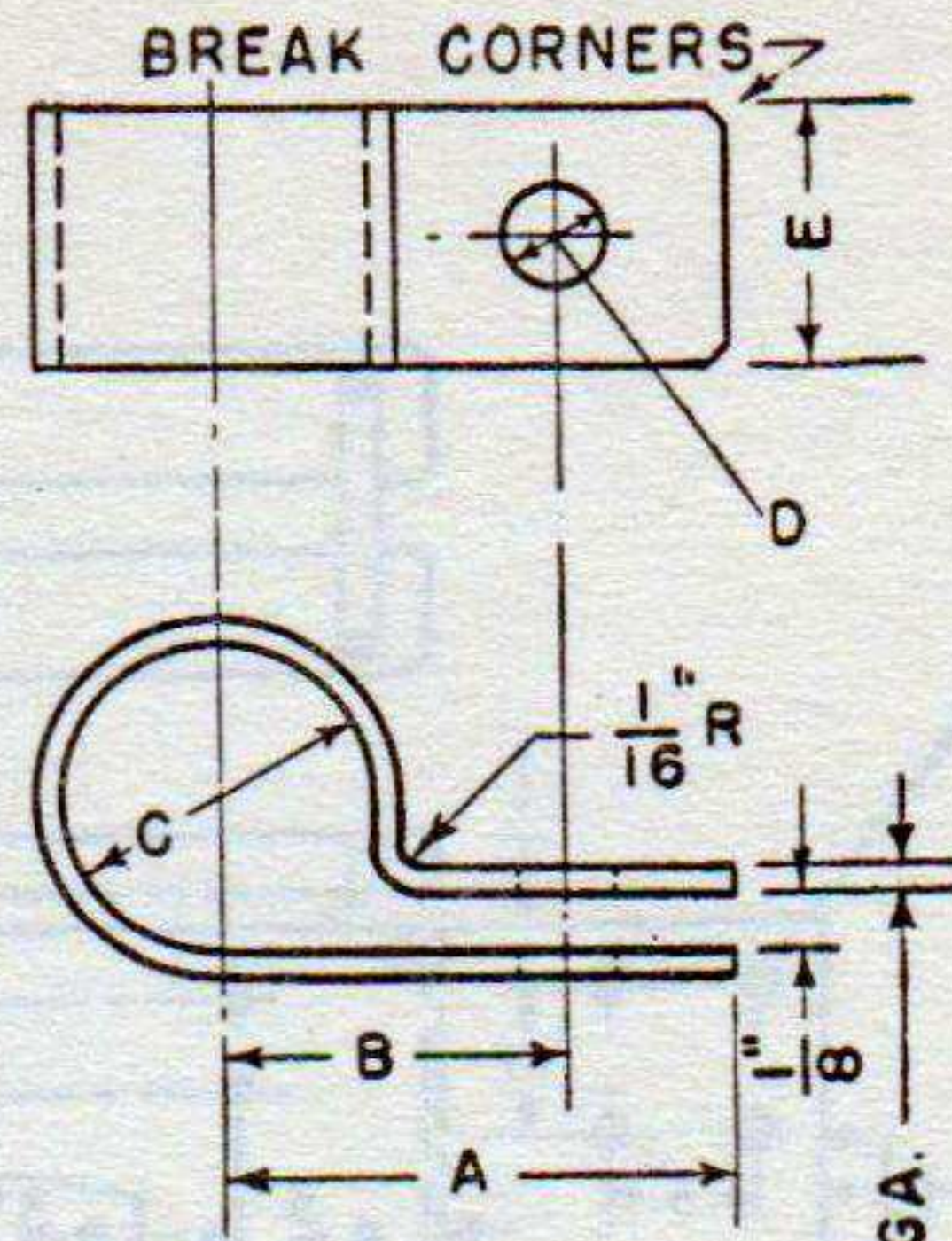
NOTES:

1. ENDS OF WIRE W-128 AFTER BEING CUT TO PROPER LENGTH, SHALL BE TINNED FOR CONNECTING AT BINDING POSTS.
2. ONE HEADSET HS-30-() WITH CORD CD-605 (78) AND 1 MICROPHONE T-17, SHALL BE PLUGGED INTO JACKS ON RADIO SET PANEL
3. INTERNAL LEAD-IN ASSEMBLY SHALL BE REMOVED FROM MAST BASE.
4. COVER BG-108 SHALL BE USED WHEN MAST SECTIONS ARE NOT INSTALLED.

TL 15975-2

in Truck, $\frac{3}{4}$ -ton, 4x4, Weapon Carrier (6-volt).

CLAMP	A	B	C	D	E	STOCK NO.
1	1-1/8"	3/4"	7/16"	3/16"	1/2"	222637-1
2	1-1/8"	3/4"	7/16"	9/32"	3/4"	222637-2
3	1-1/8"	3/4"	7/16"	13/32"	3/4"	222637-3
4	1-1/8"	3/4"	17/32"	3/16"	1/2"	222637-4
5	1-1/8"	3/4"	17/32"	9/32"	3/4"	222637-5
6	1-1/8"	3/4"	17/32"	13/32"	3/4"	222637-6



CLAMP	D	STOCK NO.
7	3/16"	222637-7
8	9/32"	222637-8
9	13/32"	222637-9

CLAMP	D	STOCK NO.
10	9/32"	222637-10
11	13/32"	222637-11

NOTE
TOLERANCES $\pm 1/32$ "

TL13519

Figure 14. Clamps for radio cordage.

NOTE:
REMOVE ALL BURRS.
BRACKET SHALL BE BONDERIZED & THEN GIVEN ONE LIGHT SPRAY COAT OF METAL PRIMER, CLASS 101, & ONE FULL SPRAY COAT OF LUSTRELESS OLIVE DRAB ENAMEL, CLASS 204. ALL PAINTS & BAKING SHALL BE IN ACCORDANCE WITH ORDNANCE DEPT. TENTATIVE SPECIFICATION TAC ES-680. THEN FILL ENGRAVING WITH PERMANENT WHITE & APPLY ONE COAT OF SILVER SPRAYING LACQUER ON ENGRAVING.
TOLERANCES WHERE NOT SHOWN SHALL BE $\pm 1/16$ ".

ENGRAVE OR METAL STAMP $3/8$ " CHARACTERS OF SUFFICIENT DEPTH THAT WHEN FINISH IS APPLIED THE CHARACTERS WILL BE CLEAR & CLEAN CUT.

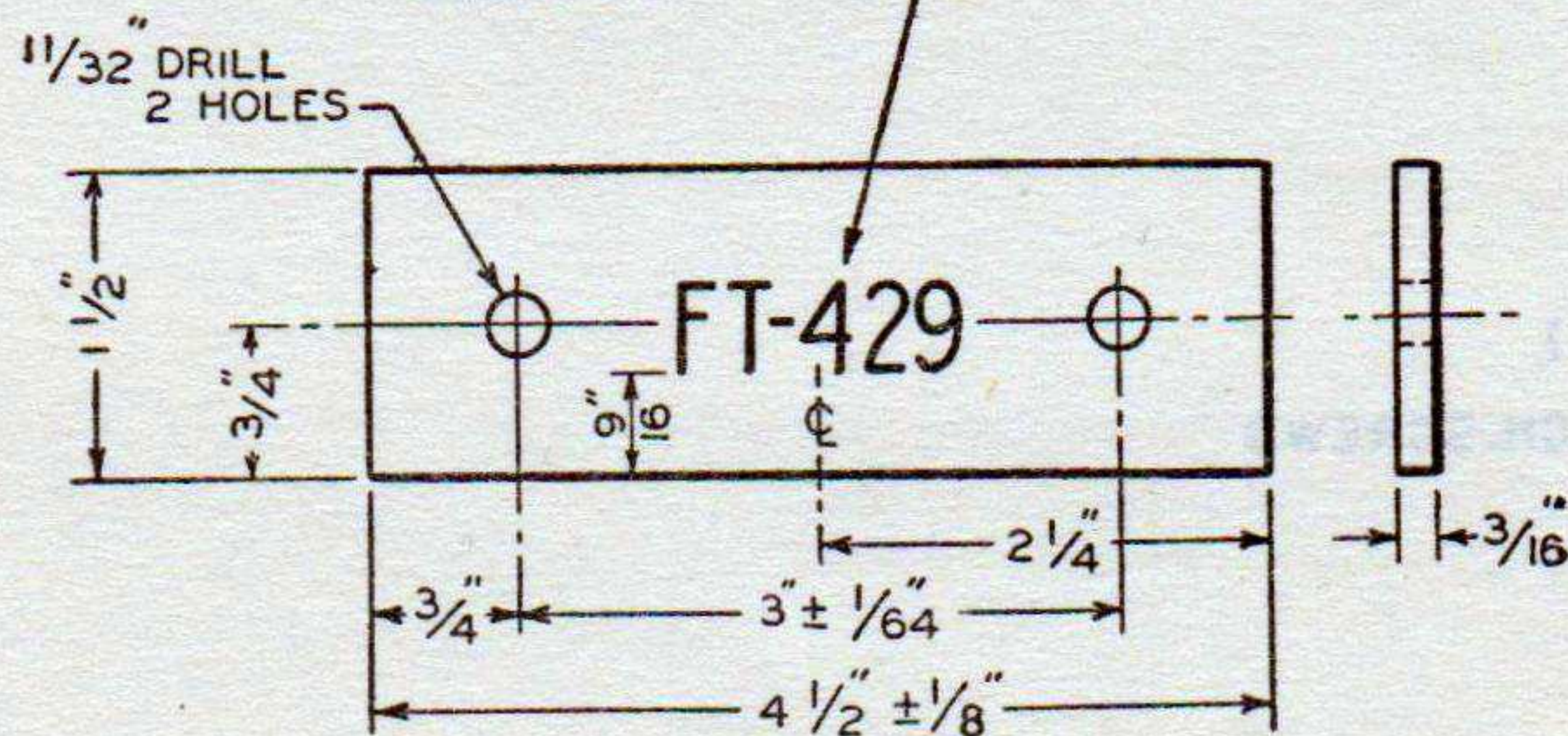


PLATE
 $3/16$ " STEEL HOT ROLLED (SEE NOTE) AS REQ.

TL12471

Figure 15. Mounting Plate FT-429.

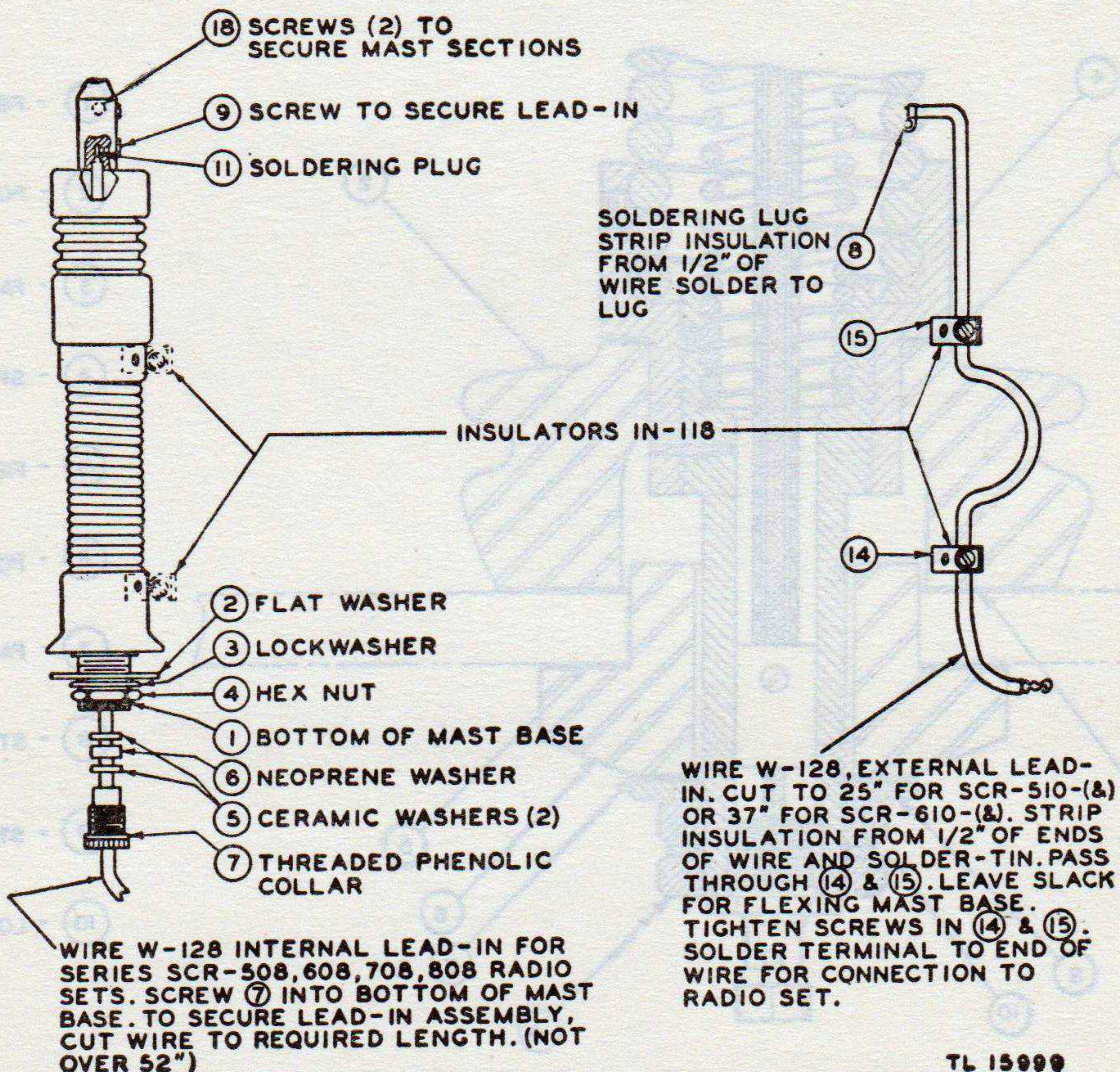
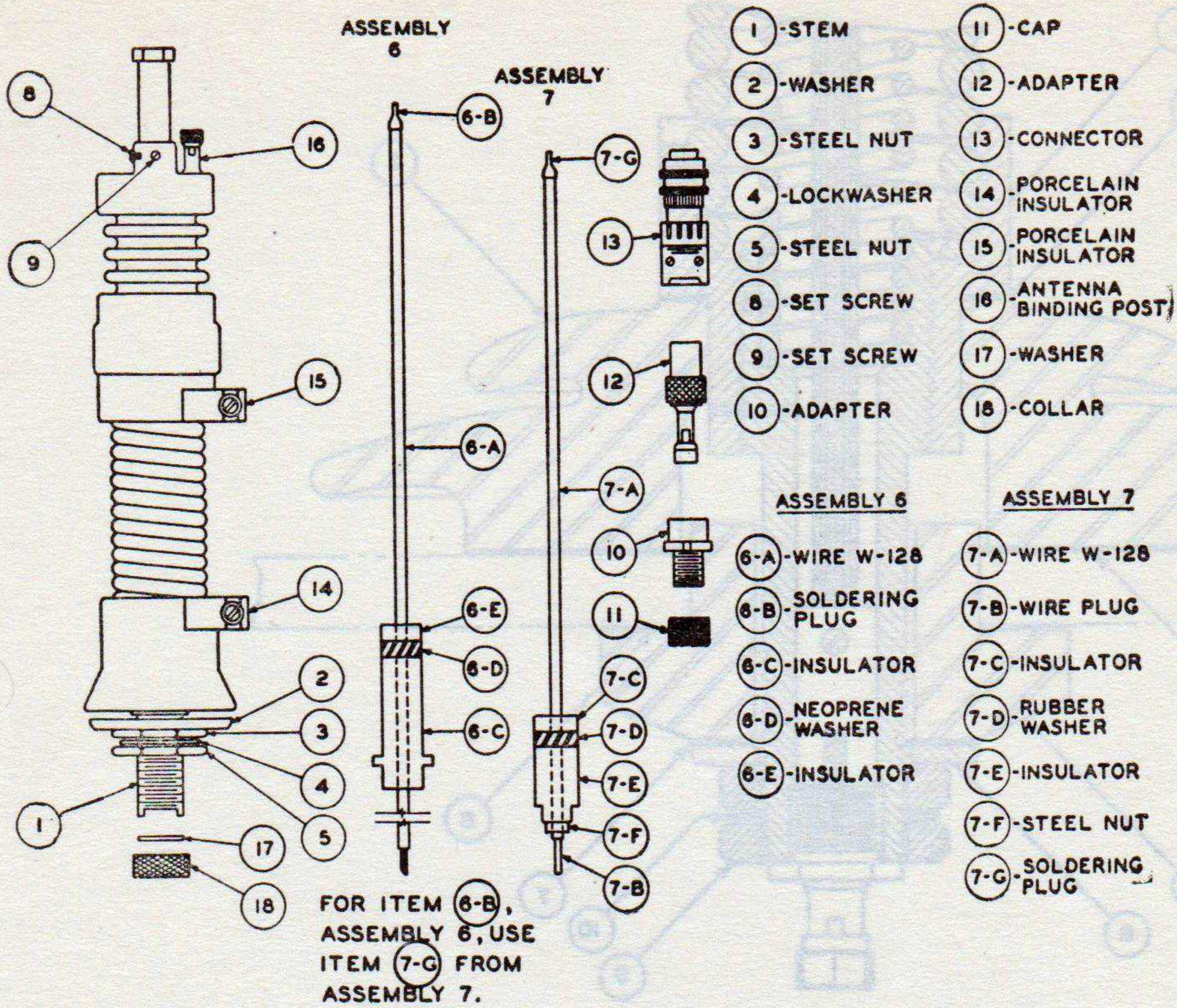
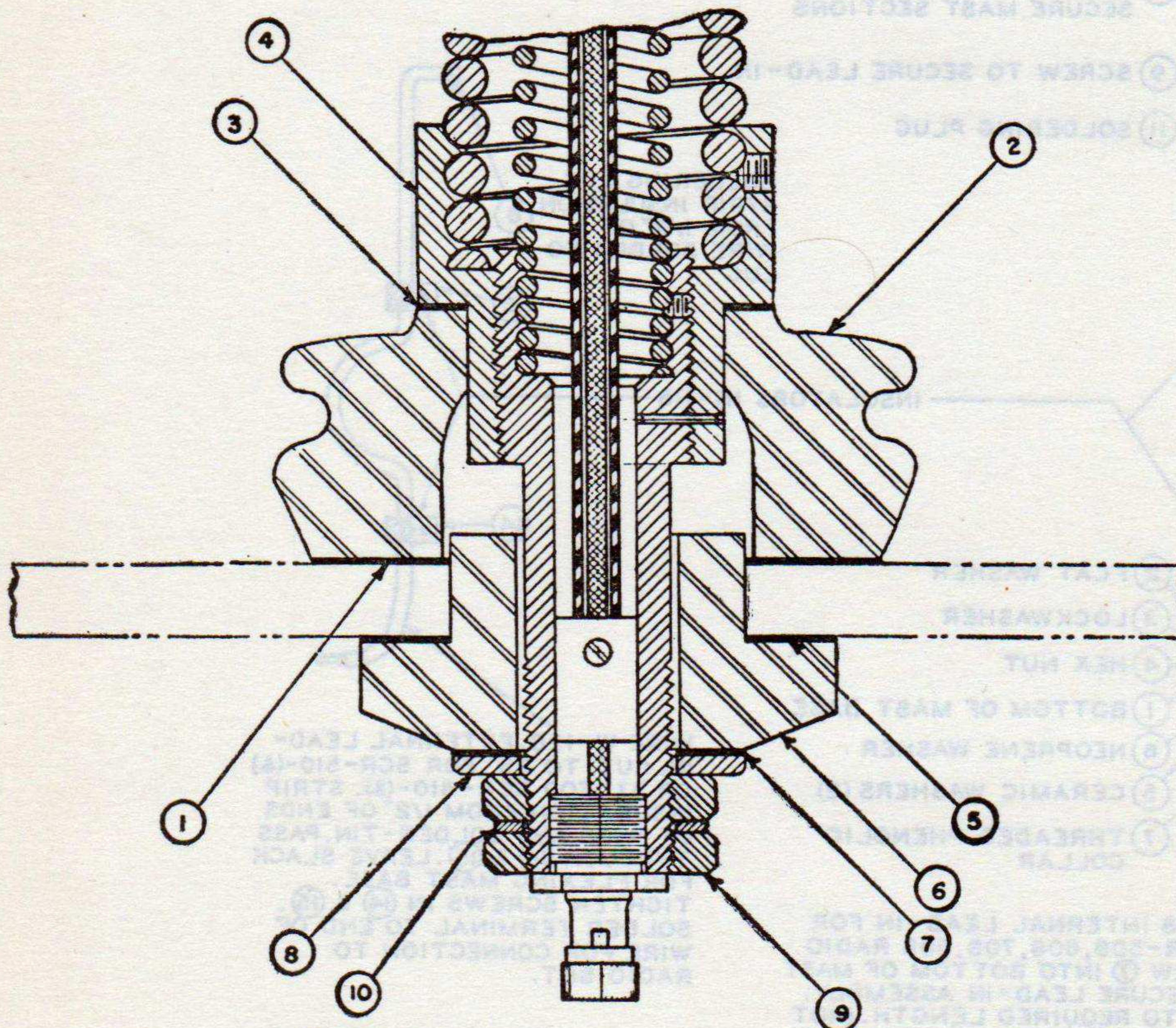
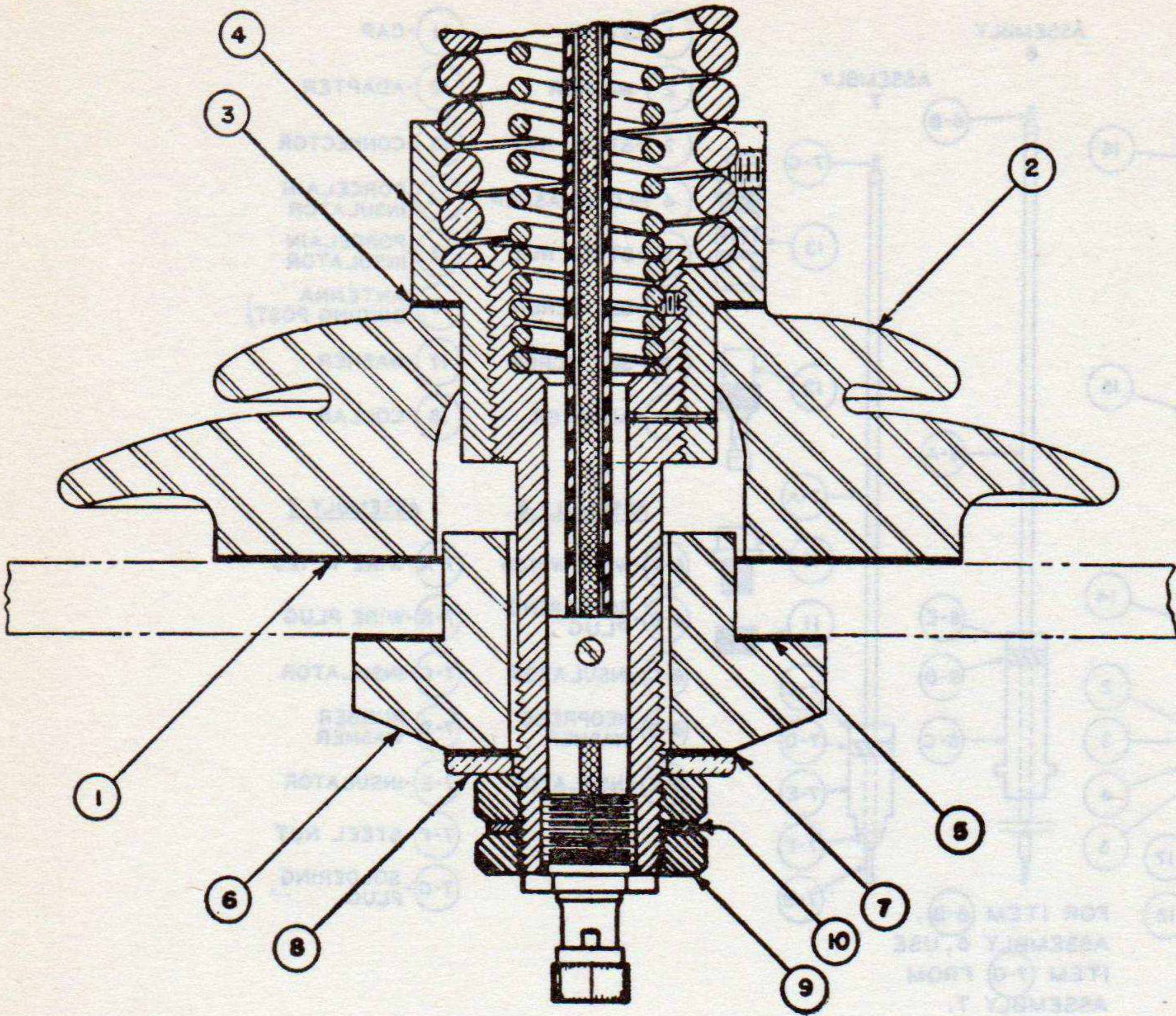


Figure 16. Mast Bases MP-48 and MP-48-A, assembly for installation.

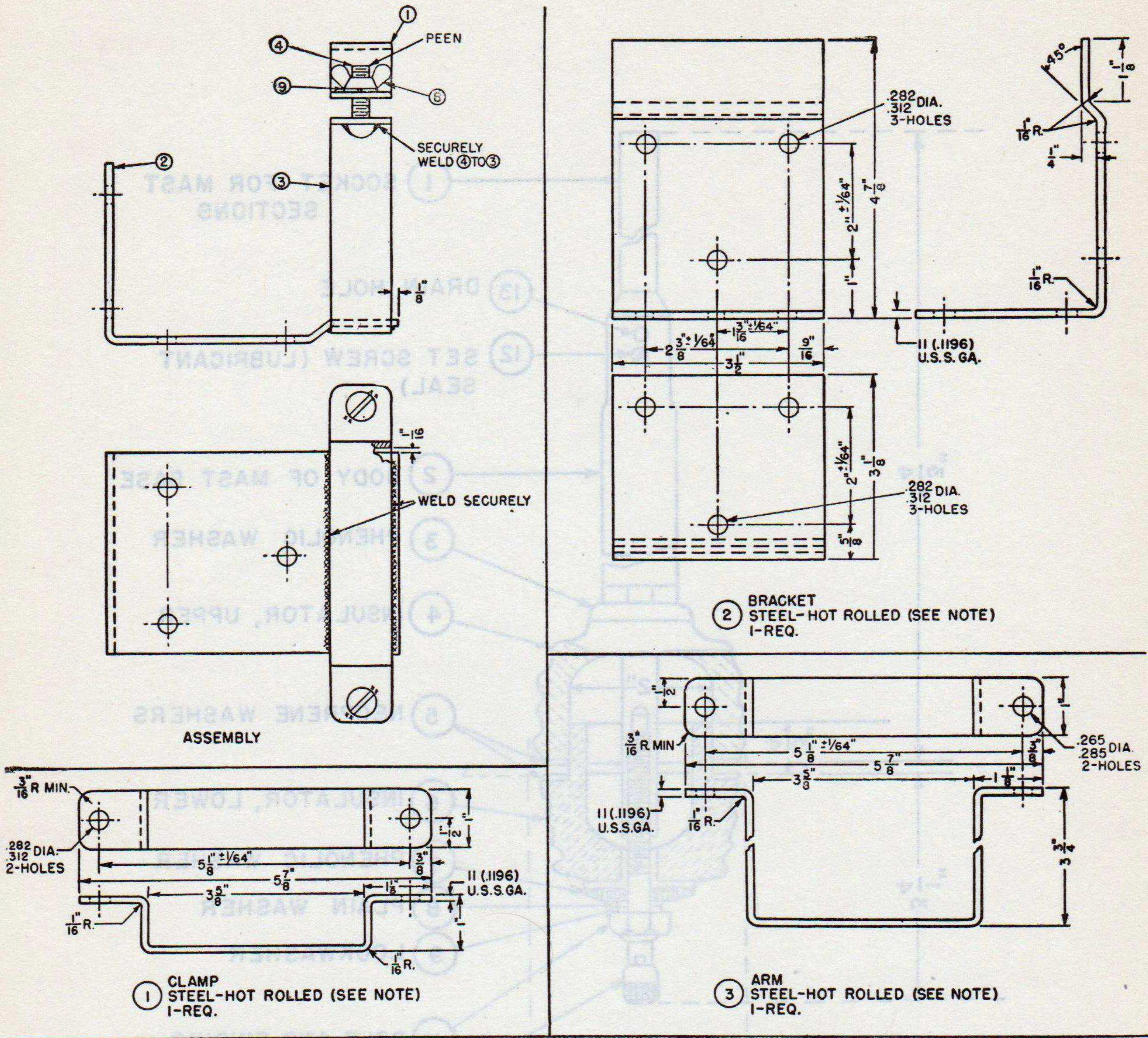
TL 15990



- ① - FIBER WASHER
- ② - PORCELAIN INSULATOR
- ③ - FABRIC WASHER
- ④ - SPRING RETAINER
- ⑤ - FIBER WASHER
- ⑥ - PORCELAIN INSULATOR
- ⑦ - FABRIC WASHER
- ⑧ - STEEL WASHER
- ⑨ - STEEL NUT
- ⑩ - LOCKWASHER

Figure 17. Mast Bases MP-37 and MP-57, assembly for installation.

TL 15998

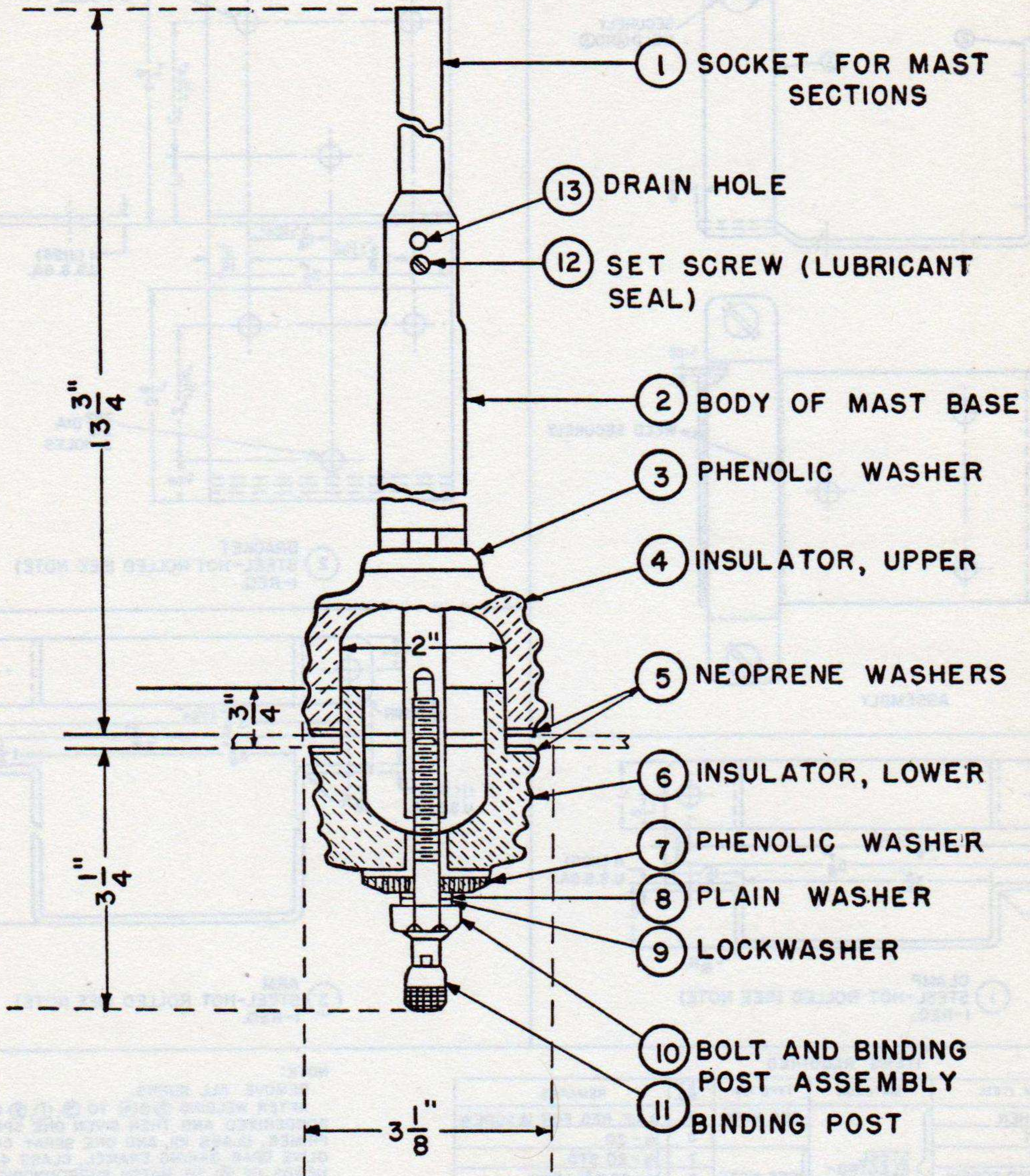


ITEMS REQUIRED

QUAN. REQ.	NAME OF ITEM	MATERIAL	TYPE NO.	ITEM NO.	REMARKS
6	LOCKWASHER	STEEL ELECTRO- GALVANIZED	SEE NOTE	9	S.A.E. REG. FOR 1/4 SCREW
2	WING NUT		SEE NOTE	8	1/4-20
4	HEX. NUT		SEE NOTE	7	1/4-20 STD.
4	HEX. HD. CAP SCREW		SEE NOTE	6	1/4-20 X 3/4 LONG
4	HEX. HD. CAP SCREW		SEE NOTE	5	1/4-20 X 1/2 LONG
2	RD. HD. MACH. SCREW		SEE NOTE	4	1/4-20 X 1 LONG
1	ARM			3	
1	BRACKET	STEEL		2	
1	CLAMP			1	

BASED ON SC-D-7367

Figure 18. Bracket for Antenna A-27, phantom.



TL13372

Figure 19. Mast Base MP-65, assembly for installation.

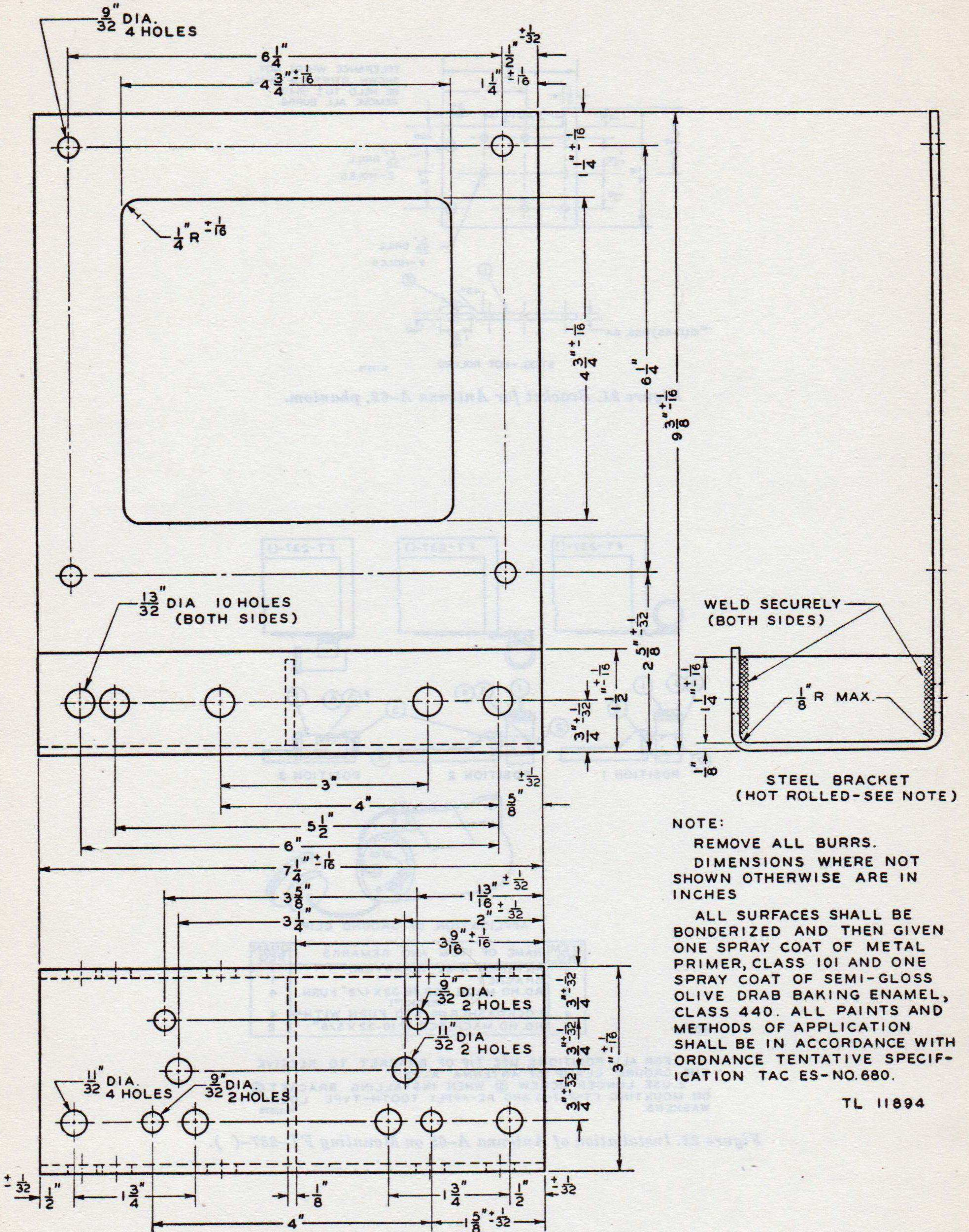


Figure 20. Bracket for Loudspeaker LS-3.

TL 11894

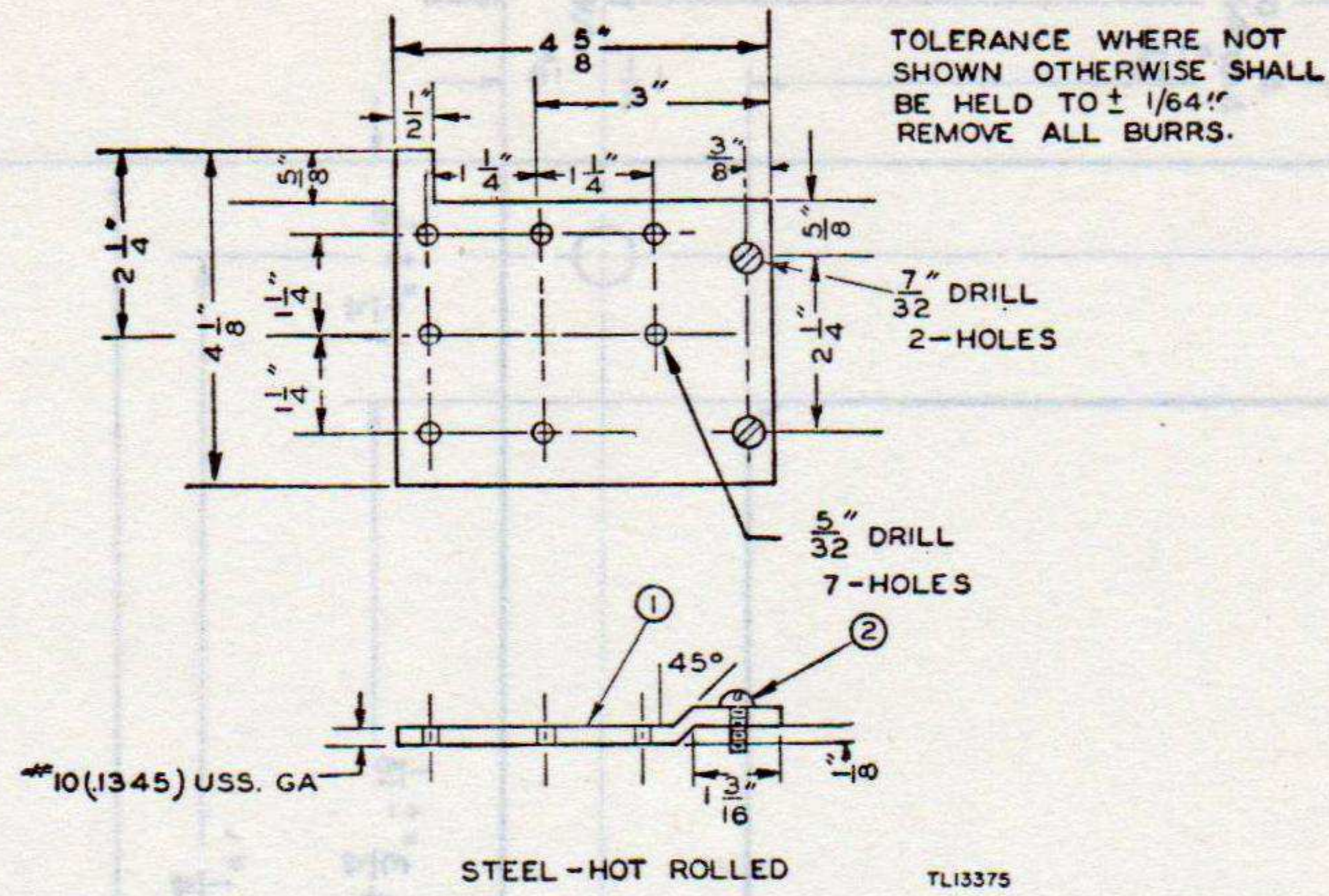
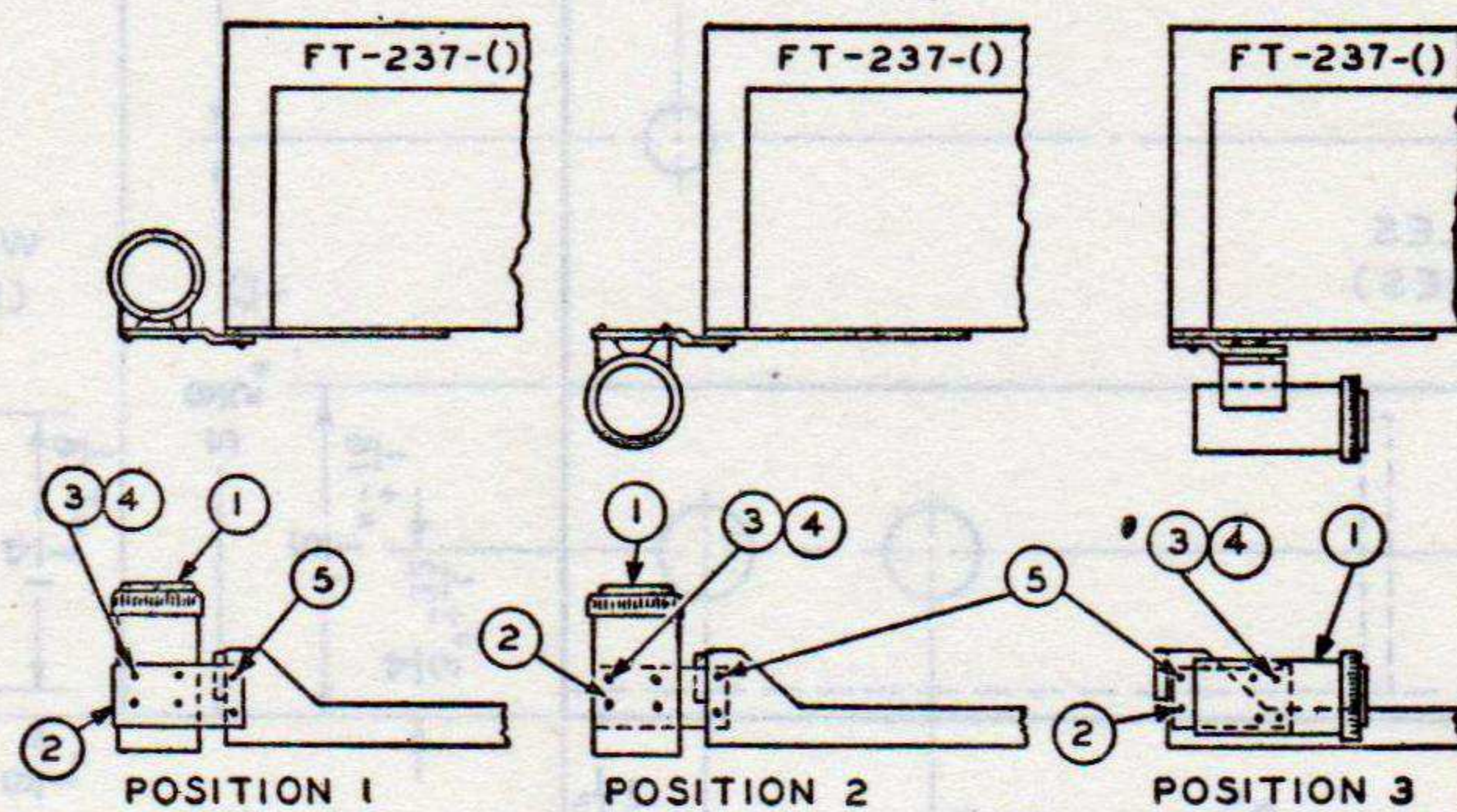


Figure 21. Bracket for Antenna A-62, phantom.



APPLICATION OF GROUND CLIP

ITEM NO.	NAME OF ITEM AND REMARKS	QUAN. REQ.
1	ANTENNA A-62 (PHANTOM)	1
2	BRACKET	1
3	RD. HD. MACH. SCR. #6-32 X 1/2" FURN. WITH #1	4
4	LOCKWASHER #6 STD. FURN WITH #1	4
5	RD. HD. MACH. SCR. #10-32 X 5/8"	2

NOTE:
 1. FOR ALL POSITIONS USE TIP OF BRACKET TO RECEIVE THE GROUND CLAMP OF ANTENNA A-62
 2. USE LONGER SCREW ⑤ WHEN INSTALLING BRACKET ② ON MOUNTING FT-237-() AND RE-APPLY TOOTH-TYPE LOCK-WASHERS.

Figure 22. Installation of Antenna A-62 on Mounting FT-237-().

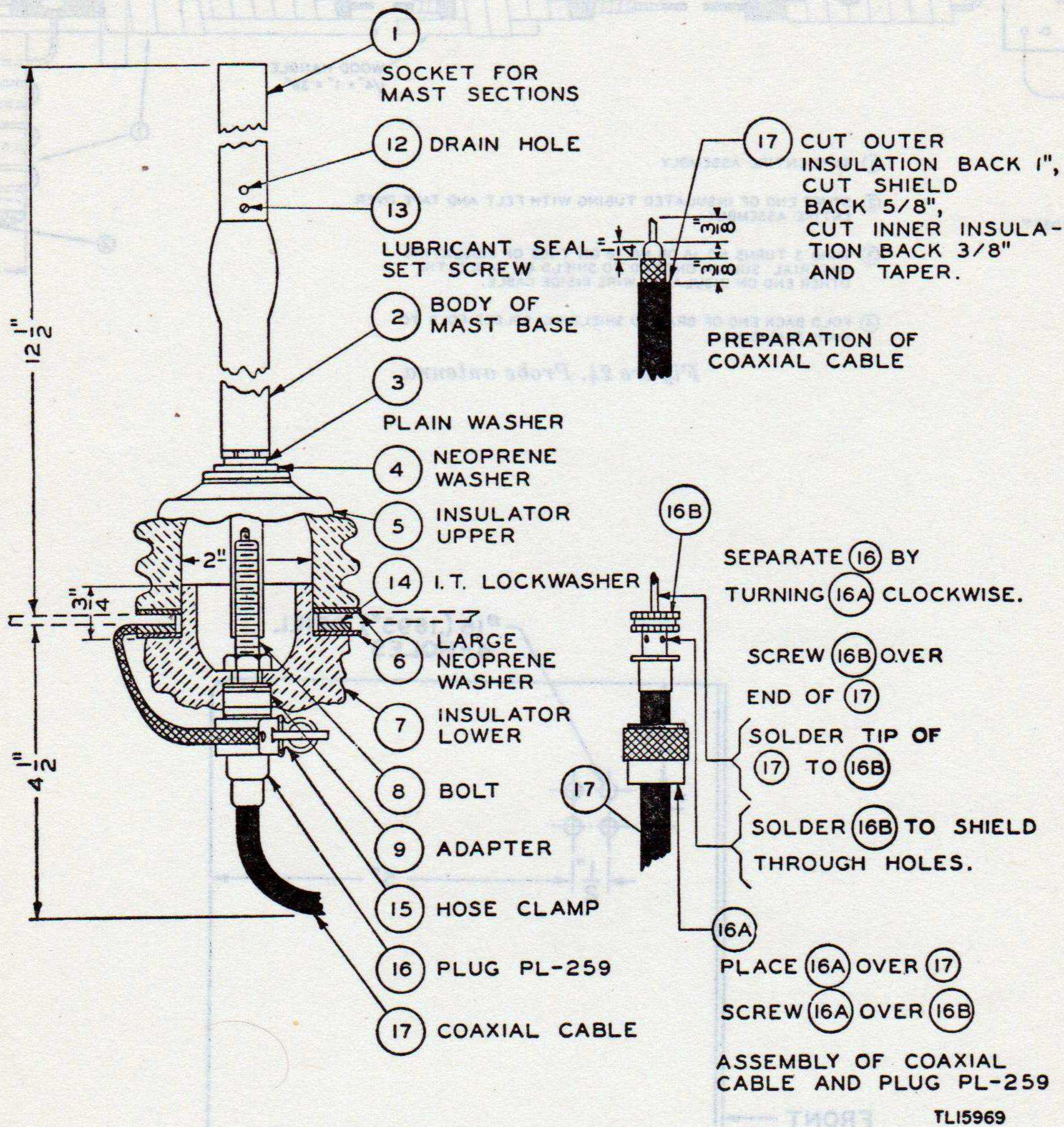


Figure 23. Mast Base AB-15/GR, assembly for coaxial cable lead-in.

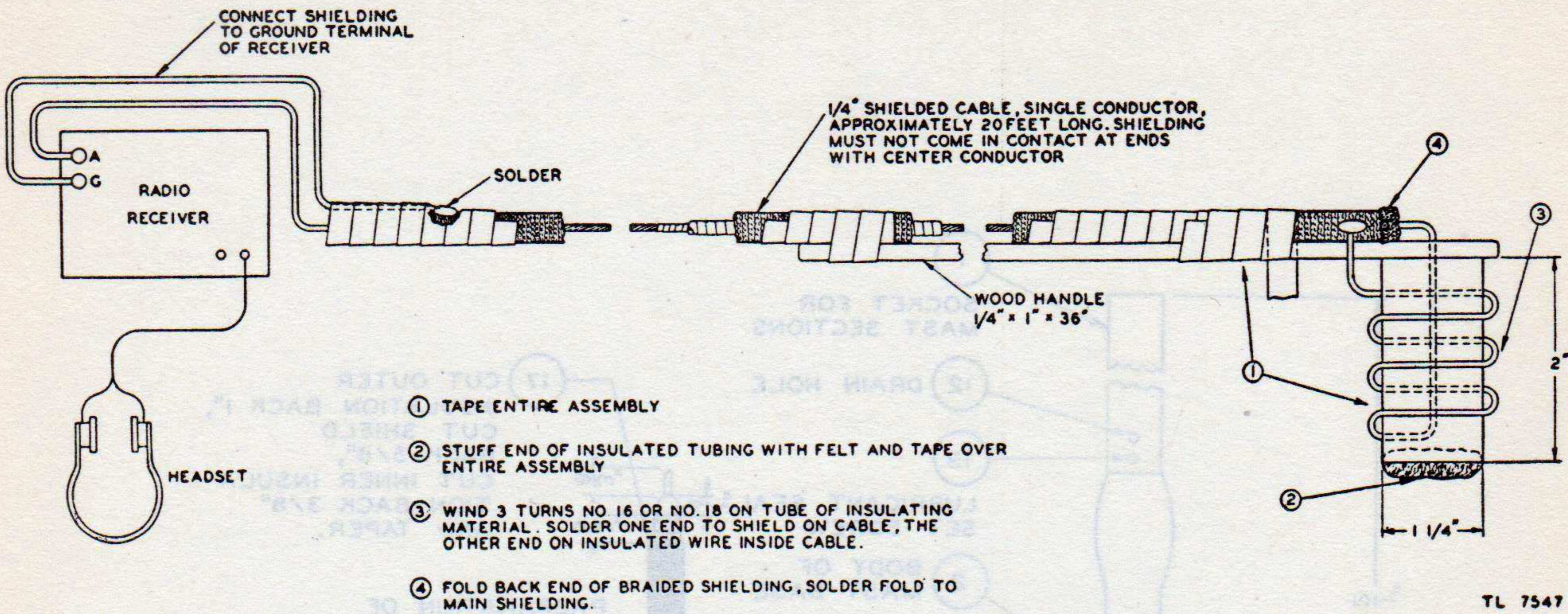


Figure 24. Probe antenna.

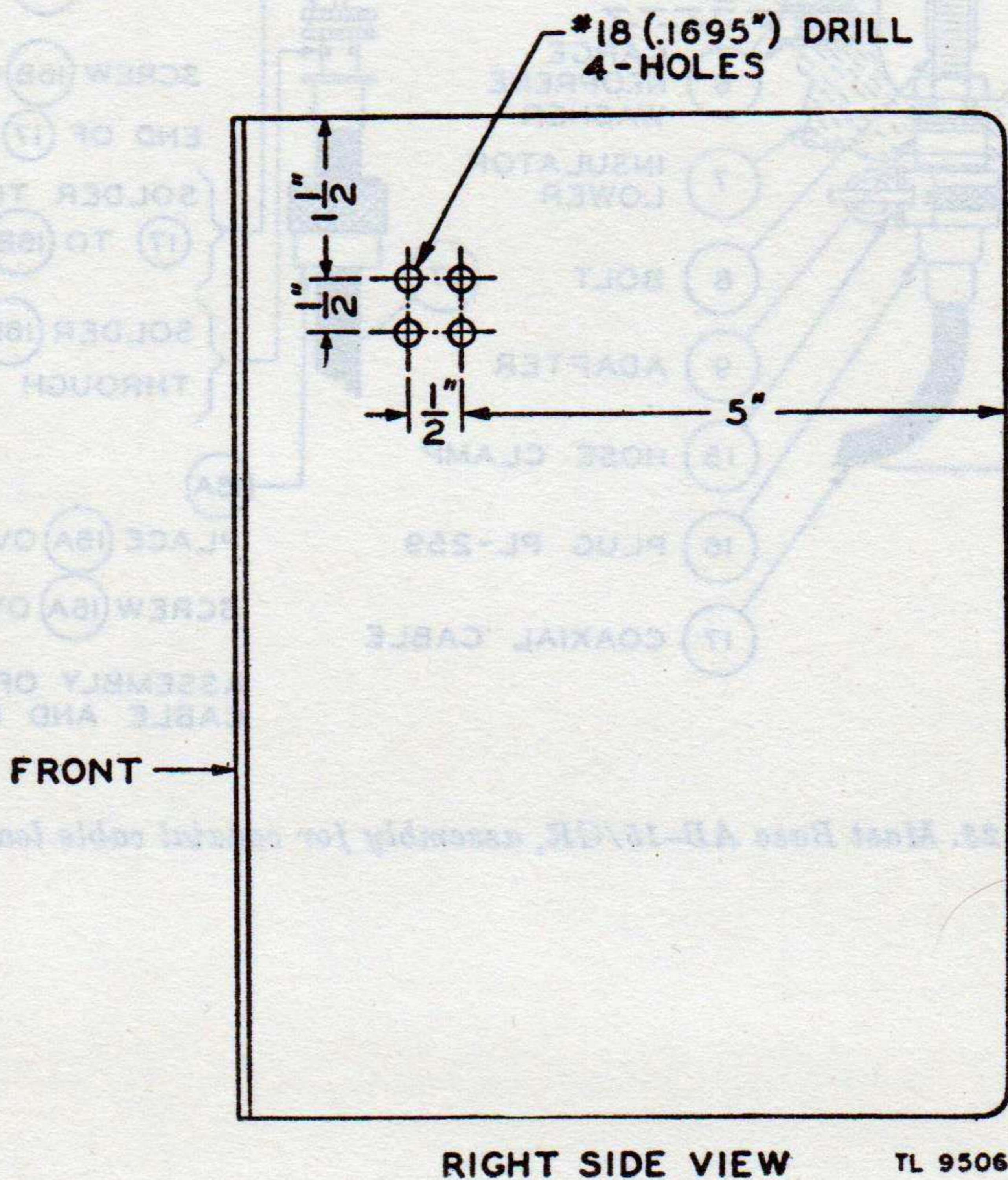


Figure 25. Drilling of Radio Receiver BC-312- ().

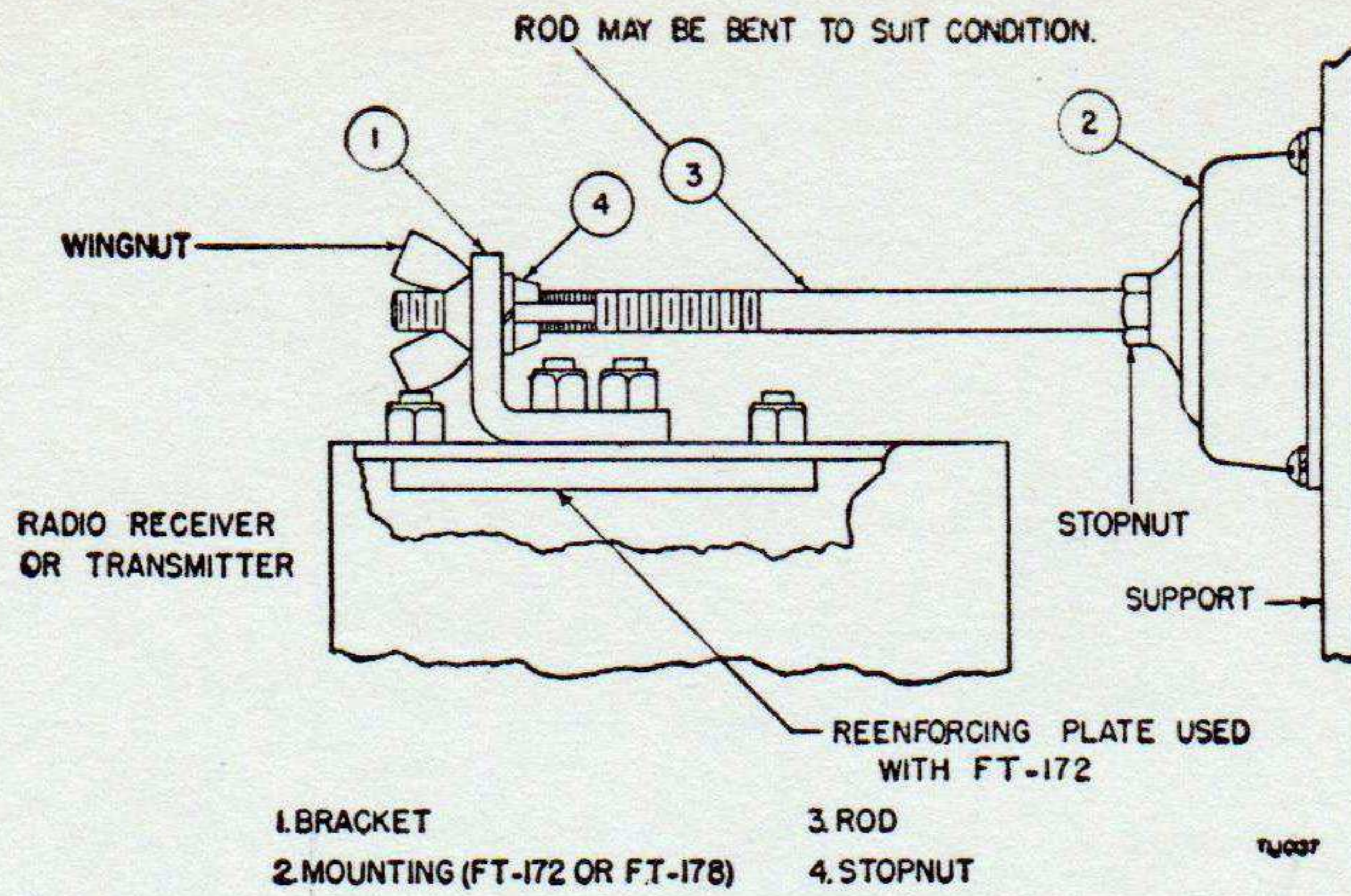


Figure 26. Mounting FT-178 or FT-172.

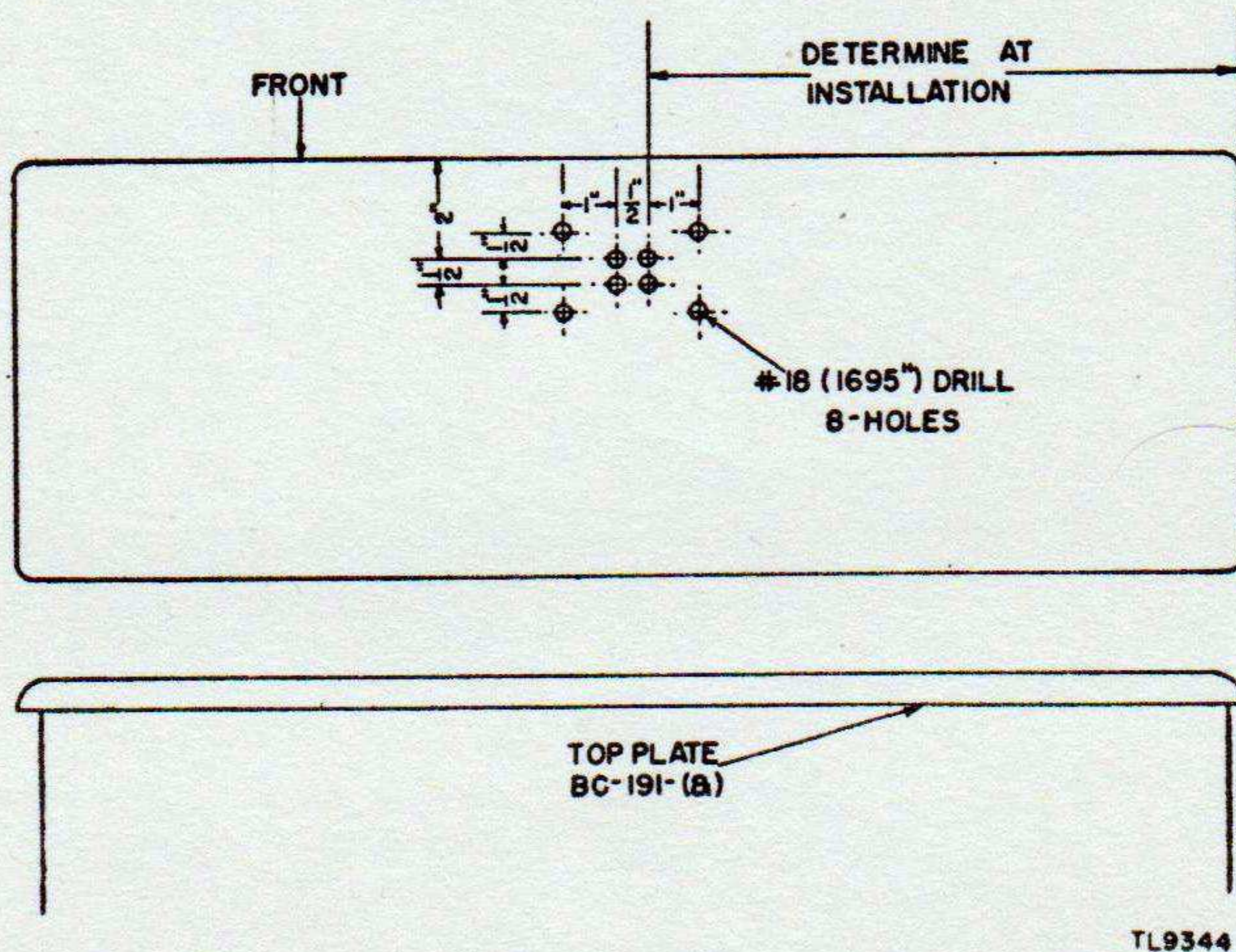
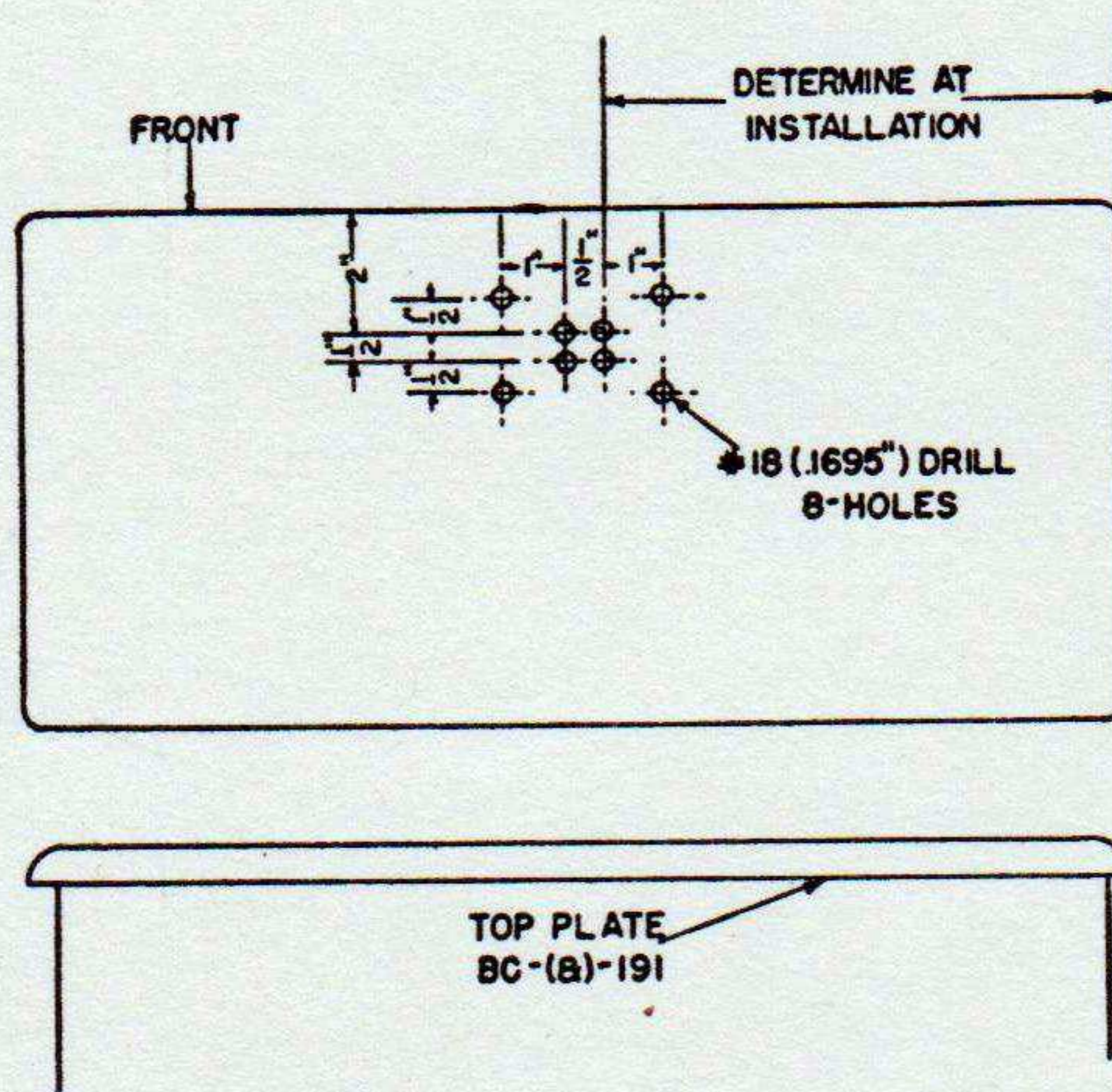


Figure 27. Drilling of Radio Transmitter BC-191-().

