

LUBRICATION ORDER

LO 5-6115-604-12

27 MARCH 1987

(SUPERSEDES LO 5-6115-604-12, 29 MAY 1985)

LI-6115-12/9

GENERATOR SET, DIESEL ENGINE DRIVEN,
AIR TRANSPORTABLE SKID MOUNTED, 750 KW,
3 PHASE, 4 WIRE, 2400/4160 AND 2200/3800 VOLTS
DOD MODEL MEP208A; CLASS PRIME UTILITY;;
HERTZ 50/60 NSN 6115-00-450-5881

Reference: TM 5-6115-604-12, Federal Supply Catalog C9100-IL

Intervals and the related task-hour times are based on normal operation. The task-hour time specified is the time you need to do all the services prescribed for a particular interval. Change the interval if your lubricants are contaminated or if you are operating the equipment under adverse operating conditions, including longer than usual operating hours. You may extend the interval during periods of low activity, but you must take adequate preservation precautions.

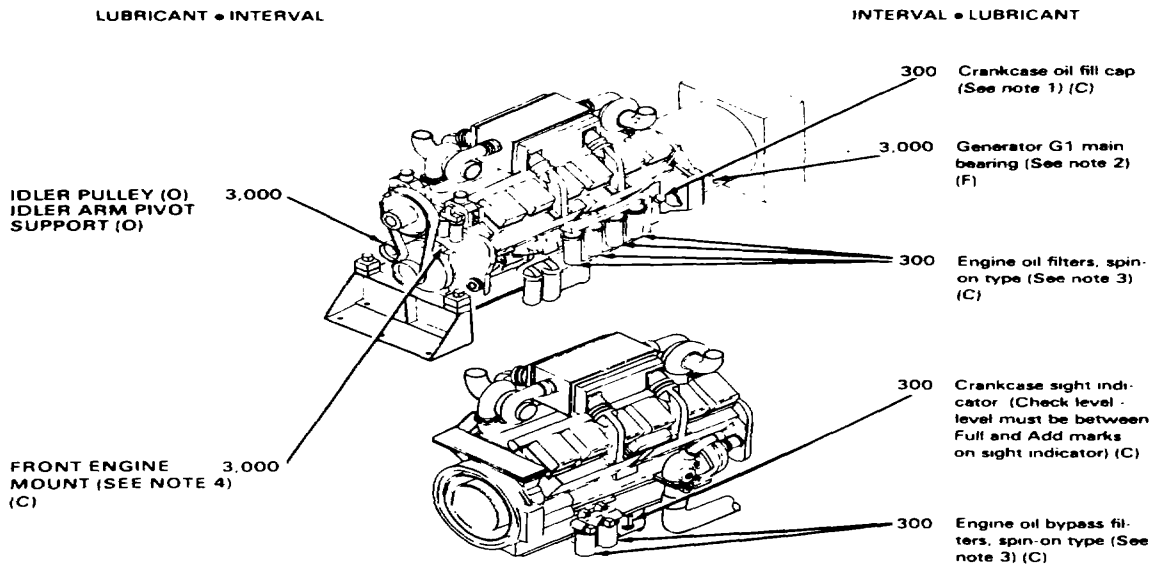
Clean all linings before lubricating. Clean pans with SOL VENT. DRY CLEANING, or OIL, FUEL DIESEL Dry

before lubricating

Relubricate after washing

The lowest level of maintenance authorized to lubricate a point is indicated by one of the following symbols as appropriate: Operator Crew (C), Organizational Maintenance (O), and Field Maintenance (F)

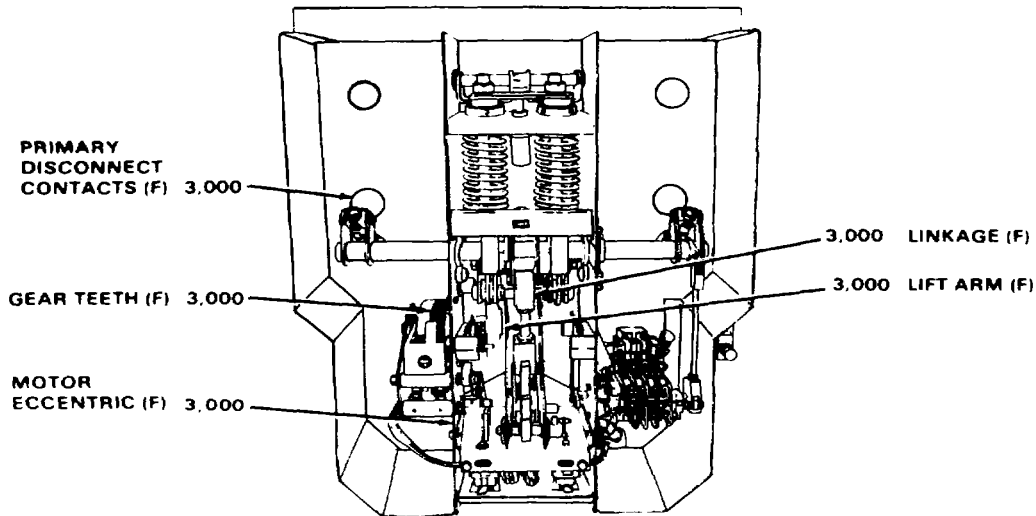
Drain crankcase when hot. Fill and check oil



TOTAL TASK-HR			TOTAL TASK-HR		
INTERVAL	TASK-HR	TASK-HR	INTERVAL	TASK-HR	TASK-HR
300	0.3		3,000	4.0	

LUBRICANT-INTERVAL

INTERVAL LUBRICANT



LUBRICANTS	CAPACITY	EXPECTED TEMPERATURES/INTERVALS			INTERVALS
		20° to 125° F (-6.6° to 51°C)	0° to 20° (-18° to -6.6°C)	-25° to 0°F (-32° to -18°C)	
OE/HDO-30 Lubricating oil (MIL-L-90001) diesel engine or OE/HDO10 (MIL-L-2104D) or (MIL-L-46167) (MIL-L-2104D)	36 gallons (137 liters)	OE/HDO-30	OE/HDO-10	OEA	Check level daily. Change oil every two weeks if operating continuously, monthly otherwise.
MIL-G-18709 Grease, generator G1 (Shell Alvania #2) Main bearing	2.4 ounces (0.57L)	MIL-G-18709	MIL-G-18709	MIL-G-18709	Every six months.
GAA Grease Automotive (MIL-G-10924) and artillery		MIL-G-10924	MIL-G-10924	MIL-G-10924	Every six months.

NOTES

1. Check crankcase indicator on right hand side of pan. Add oil as required.
2. Generator set must be shut down to grease generator G1 main bearing. Refer to TM 5-6115-604-12. Chapter 3, for procedure.
3. Change lubricating oil when replacing filters. Prime lube system. Refer to TM 5-6115-604-12 Chapter 3 for procedure. Oil gasket of new filter before installing. Observe filter for 15 minutes after installation to verify good seal. Remove filter and oil gasket again if leaks are observed.
4. Clean fittings before lubricating. Lubricate with grease gun.

You can help improve this lubrication order. If you find any mistakes or if you know of a way to improve procedures, please let us know. Mail your letter or DA Form 2028 (Recommended Changes to Publications and Blank Forms) direct to: Commander, US Army Troop Support Command, ATTN: AMSTR-MCTS, 4300 Goodfellow Blvd., St. Louis, MO 61310-1798. A reply will be furnished to you.

Copy of this Lubrication Order will remain with the equipment at all times. Instructions contained herein are mandatory.

By Order of the Secretaries of the Army, and the Marine Corps:

JOHN A. WICKHAM, JR.
General, United States Army
Official: Chief of Staff

R. L. DILWORTH
Brigadier General, United States Army
The Adjutant General

GEORGE B. CRIST
Lieutenant General, USMC
Deputy Chief of Staff for Installations and Logistics

DISTRIBUTION:
To be distributed in accordance with DA Form 12-25A, Operator and Organizational Maintenance requirements for Generator Set, Skid Mounted, 2400/416V, 2200/3800V, 750KW, 50/60HZ, 3PH, 4 Wire (MEP209A)

RECOMMENDED CHANGES TO EQUIPMENT TECHNICAL PUBLICATIONS



THEN... JOT DOWN THE DOPE ABOUT IT ON THIS FORM, CAREFULLY TEAR IT OUT, FOLD IT AND DROP IT IN THE MAIL!

SOMETHING WRONG WITH THIS PUBLICATION?

FROM: (PRINT YOUR UNIT'S COMPLETE ADDRESS)

DATE SENT

PUBLICATION NUMBER

TM 11-5825-270-10

PUBLICATION DATE

23 Jul 81

PUBLICATION TITLE

Radio Frequency R-2176/FRN

BE EXACT... PIN-POINT WHERE IT IS

PAGE NO.	PARA-GRAPH	FIGURE NO.	TABLE NO.

IN THIS SPACE TELL WHAT IS WRONG AND WHAT SHOULD BE DONE ABOUT IT:

TEAR ALONG PERFORATED LINE

PRINTED NAME, GRADE OR TITLE, AND TELEPHONE NUMBER

SIGN HERE:

DA FORM 2028-2
1 JUL 79

PREVIOUS EDITIONS ARE OBSOLETE.

P.S.—IF YOUR OUTFIT WANTS TO KNOW ABOUT YOUR RECOMMENDATION MAKE A CARBON COPY OF THIS AND GIVE IT TO YOUR HEADQUARTERS.

