

4 10
Copy 14
47

TM 9-2800

WAR DEPARTMENT

TECHNICAL MANUAL

STANDARD MILITARY
MOTOR VEHICLES

1 SEPTEMBER 1943

**Dissemination of restricted matter.—The information contained in restricted matter has the essential characteristics of restricted materiel may be given to any person known to be in the United States and to persons of undoubted loyalty and discretion who are cooperative in Government work, but will not be communicated to the public or to the military public relations agencies. (See also paragraph 18b, AR 380-5, 28 September 1942.)*

DECLASSIFIED
LIBRARY OF CONGRESS
F.A.C. File No. 471

JUN 26 1956

AUTHORITY: A.P.O. U.S. H.C.M.
N.D.

D. W. 1975.0

[Handwritten scribbles]
~~_____~~

TECHNICAL MANUAL }
No. 9-2800 }

WAR DEPARTMENT
Washington, 1 Sept. 1943

6/13/2
10/9

STANDARD MILITARY MOTOR VEHICLES

Dissemination of restricted matter.—The information contained in restricted documents and the essential characteristics of restricted materiel may be given to any person known to be a member of the United States and to persons of known loyalty and discretion who are cooperating in Government work, but will not be communicated to the public or to the press, radio, or other military public relations agencies. (See also paragraph 18b, AR 380-5, 28 September 1942.)

*This manual supersedes TM 9-2800, 6 March 1943.

Digitized by Google

Original from
UNIVERSITY OF CALIFORNIA

STANDARD MILITARY MOTOR VEHICLES

CONTENTS

	Pages
Introduction and explanation of terminology	3
Classification	4
SECTION I. Amphibians and landing vehicles	6-15
II. Armored cars	16-23
III. Scout cars	24-25
IV. Cargo and personnel carriers	26-45
V. Self-propelled artillery	46-87
VI. Tanks	88-125
VII. Tank transport and recovery vehicles	126-135
VIII. Trucks	
Truck, 1/4-ton, 4 x 4 through Truck, 1 1/2-ton, 4 x 2	136-191
Truck, 1 1/2-ton, 4 x 4 through Truck, 2 1/2-ton, 6 x 4	192-237
Truck, 2 1/2-ton, 6 x 6 complete	238-277
Truck, 4-ton, 4 x 4 through Truck, 10-ton, 6 x 6	278-313
IX. Truck tractors	314-333
X. Tractors	334-353
XI. Ambulances	354-361
XII. Busses	362-371
XIII. Passenger cars	372-375
XIV. Motorcycles	376-381
XV. Trailers	382-459
XVI. Semitrailers	460-527
XVII. Dollies	528-541
XVIII. Chart of responsibilities and index	542-552

4115 TM 7-2000
i2
TM 9:2800
1943
★ ★

INTRODUCTION

Data and illustrations herein are from the most reliable sources available at date of publication. Production variations and changes account for some discrepancies. It is suggested that such differences or additional pertinent information be brought to the attention of Military Publications Section, Executive Branch, Tank-Automotive Center, Detroit, Michigan, at the earliest possible moment, for use in preparation of future editions.

Information on responsibility of maintenance, storage and issue is given in section XVIII. This section also contains an index, and shows classification according to general purpose, special equipment or special purpose.

More detailed information will be found in the Technical Manuals listed for each vehicle.

EXPLANATION OF TERMINOLOGY USED

The term "maximum gradability" indicates the steepest slope the vehicle can negotiate in low gear.

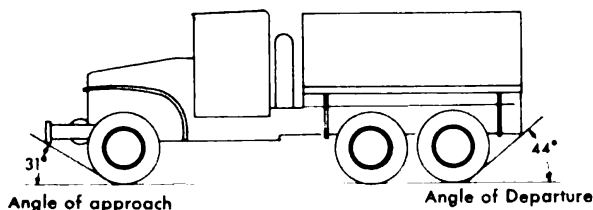
Ordnance practice of determining slope in terms of percent is the same as is customary in other technical fields such as surveying and construction of roads and railroad grades.

Percent of slope is defined as the ratio between the vertical rise and the horizontal distance travelled.

Some confusion arises from the practice of measuring angles in degrees. Examples of slopes measured in terms of degree of angle and percent of slope follow:

Degree of angle	Percent of slope
0°	0%
10°	17.633%
30°	57.735%
45°	100%

- SNL Standard Nomenclature List.
- 6 x 4 Six wheels, four driving wheels.



- w/w With winch.
- wo w Without winch.
- Net weight Weight of vehicle in operating condition without crew or payload.

TM 7-2000

STANDARD MILITARY MOTOR VEHICLES CLASSIFICATION

The vehicles in this manual are classified in the following manner, in accordance with Army Regulations 850-25, paragraph 13:

a. Standard Vehicles are the most advanced and satisfactory that have been adopted by the Secretary of War and are those which are preferred for procurement to meet supply demands.

b. Substitute Standard Vehicles are those which do not have as satisfactory military characteristics as standard vehicles but are usable substitutes for standard vehicles. They are not normally in use or available for issue to meet supply demands but would, when necessary, be procured to supplement the supply of standard vehicles.

c. Limited Standard Vehicles are those which do not have as satisfactory military characteristics as standard vehicles, but are usable substitutes for standard vehicles, and are either in use or available for issue to meet supply demands. Complete major units will not be reproduced but component parts and complementary articles, even though they may be limited standard articles, may be procured if necessary to maintain the complete major units in serviceable condition.

The wheeled vehicles in the manual are further classified in the following manner, in accordance with Army Regulations 850-15, paragraph 3:

a. General Purpose Vehicles are all wheeled vehicles intended for movement of personnel, supplies, ammunition, or equipment or towing of guns, trailers, or semitrailers, and which are used by more than one service.

b. Special Equipment Vehicles are wheeled vehicles, the chassis of which are basically identical to those used in general purpose vehicles, but which have a special body or special equipment mounted thereon.

c. Special Purpose Vehicles are wheeled vehicles, the chassis and body of which are designed for a special purpose. These vehicles do not incorporate body or chassis of either general purpose vehicles or special equipment vehicles.

NOTES

A series of 20 horizontal lines provided for taking notes, spanning most of the width of the page.

**STANDARD MILITARY MOTOR VEHICLES
TRUCK, AMPHIBIAN, 1/4-TON, 4 x 4**

**Technical Manual: TM 10-1263
Manufacturer: Ford Motor Co.**

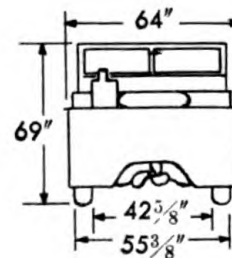
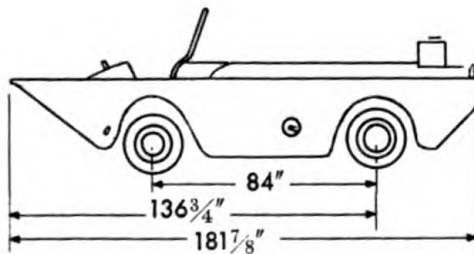
Part List: SNL G-504



RA PD 308923

Classification: Standard

Purpose: To transport personnel on land and water.



SECTION I—AMPHIBIANS AND LANDING VEHICLES
TRUCK, AMPHIBIAN, ¼-TON, 4 x 4

GENERAL DATA

Crew, operating2.....	Passenger capacity, including crew	5
Weight	Net(lb)	3,660
	Payload(lb)	800
	Gross(lb)	4,460
Shipping dimensions(cu ft)(sq ft)	81
Tires	Ply 6.....	Size 6.00 x 16
Tread, center to center(in.)	49
Ground clearance(in.)	8 ⁷ / ₈
Life preservers	Seat cushion type	5
Loaded waterline length(in.)	165
Loaded freeboard:		
at coaming (in.)	Front 21.....	Rear 19
at deck (in.)	Front 17.....	Rear 9 ¹ / ₂
Loaded draft (in.) at front wheels 29 ¹ / ₄	at rear wheels 33 ¹ / ₂	
Electrical system(volts)	12
Capacities	Fuel, 70 octane gasoline(gal)	15
	Cooling system(qt)	13
	Crankcase (refill)(qt)	4
Pintle height(in.)	28 ¹ / ₄
Brakes	Hydraulic

PERFORMANCE

Maximum gradability(percent)	45
Turning radius (ft)	Land 18 ¹ / ₄	Water 18
Angle of approach(deg)	37 ¹ / ₂
Angle of departure(deg)	37
Cruising range	Land(miles)	250
	Water, top speed 2nd gear(miles)	18 ³ / ₄
	Water, cruising speed 3rd gear(miles)	37
Maximum allowable speed (mph):		
	1st 2nd 3rd	
	Land	24 41 60
	Water	5.5 4.5

ENGINE

Manufacturer	Ford	Model GPW
Type	In-line, 4 cycle	Number of cylinders 4
Displacement(cu in.)	134
Governed speed	Not governed
Brake horsepower	60
Ignition type	Battery

ADDITIONAL DATA

.....

STANDARD MILITARY MOTOR VEHICLES
TRUCK, AMPHIBIAN—2½-TON, 6 x 6

Technical Manuals: TM 9-802,
 TM 9-1802A, TM 9-1802B

Parts List: SNL G-501

Manufacturers: General Motors Truck and Coach Div. of Yellow Truck
 & Coach Mfg. Co.

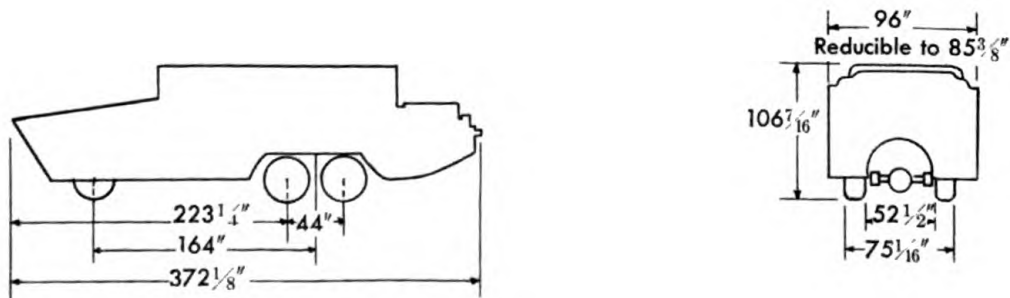
Armament: Provision for installation of M36 truck mount for antiaircraft
 machine gun.



RA PD 308913

Classification: Standard

Purpose: To transport cargo and personnel on land and in water. This vehicle is popularly known as "The Duck."



SECTION I—AMPHIBIANS AND LANDING VEHICLES

TRUCK, AMPHIBIAN, 2½-TON, 6 x 6

GENERAL DATA

Crew		2
Weight	Net	14,500
	Payload	5,000
	Gross	19,850
Shipping dimensions	(cu ft)	248
Tires	Ply 10	Size 11.00 x 18
Tread, center to center (in.)	Front 63 ⁹ / ₁₆	Rear 63 ⁷ / ₈
Ground clearance		11 ¹ / ₄
Life preservers	Jacket type	5
Life ring		1
Loaded waterline length		344
Loaded freeboard: at coaming (in.)	Front 29	Rear 29
	at deck (in.)	Front 24
Loaded draft (in.) at front wheels 42		at rear wheels 51
Cargo space (cu ft):		
to top of coaming 198		under tarp. bows 385
Electrical system		(volts) 6
Capacities	Fuel, 70 octane gasoline	(gal) 40
	Cooling system	(qt) 20
	Crankcase (refill)	(qt) 10
Pintle height		(in.) 48
Brakes	Hydraulic (Hydrovac)	

PERFORMANCE

Maximum gradability		(percent) 60
Turning radius (ft)	Land—Left 36	Right 35
	Water—Left 17 ¹ / ₂	Right 12 ¹ / ₂
Angle of approach		(deg) 38
Angle of departure		(deg) 25
Cruising range	Land	(miles) 240
	Water	Top speed, 2nd gear (miles) 30
	Water	Cruising speed, 3rd gear (miles) 50
Maximum allowable speed (mph) ..	1st 2nd 3rd 4th 5th	
	Land	7 11 22 40 50
	Water	— 6.4 5.4 — —

ENGINE

Manufacturer	GMC	Model 270
Type	In-line, 4 cycle	Number of cylinders 6
Displacement		(cu in.) 269.5
Governed speed		(rpm) 2,750
Brake horsepower		104
Ignition type	Battery	

ADDITIONAL DATA

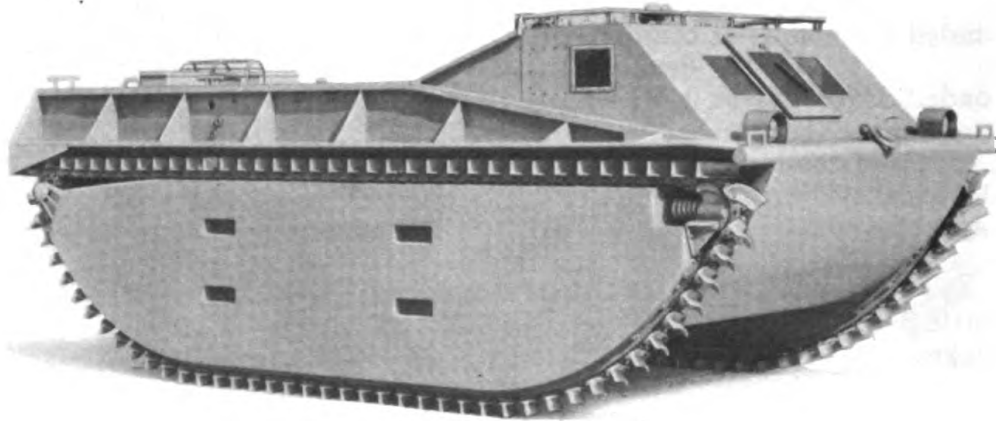
Winch capacity		(lb) 10,000
.....		
.....		
.....		

STANDARD MILITARY MOTOR VEHICLES
LANDING VEHICLE, TRACKED, MK I—LVT (1)

Technical Manuals: TM 9-784,
TM 9-1784.

Parts List: SNL G-156

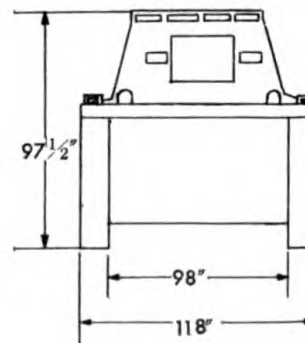
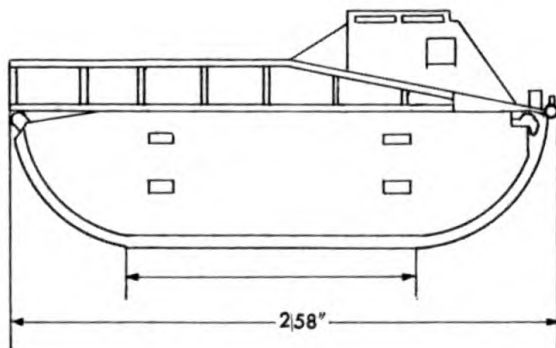
Manufacturers: See additional data.



RA PD 45420

Classification:

Purpose: For use in rough terrain, swamp land, and self-propulsion in exposed waters. Also used for landing on beach through surf.



SECTION I—AMPHIBIANS AND LANDING VEHICLES

LANDING VEHICLE, TRACKED, MK I—LVT (1)

GENERAL DATA

Crew, operating 3	Passenger capacity, including crew	24
Weight	Unloaded (lb)	27,500
	Payload, including crew and passengers (lb)	4,500
	Hoisting weight (lb)	32,000
Shipping dimensions (cu ft) (sq ft)	
Track width	(in.)	14 $\frac{1}{4}$
Ground clearance	(in.)	18 $\frac{1}{4}$
Ground pressure	(lb per sq in.)	10.25
Electrical system	(volts)	6
Capacities	Fuel, 70 octane gasoline (gal)	80
	Cooling system (qt)	44
	Crankcase (qt)	9
Brakes	Mechanical	

PERFORMANCE

Maximum gradability (percent)	38
Turning radius (ft) Right Left	
Angle of approach (deg)	46
Angle of departure (deg)	58
Fuel consumption, average conditions (land) (miles per gal)	3
Cruising range, average conditions (miles) Land 225 . Water 210	
Maximum allowable speed (mph) Land 10-12 Water 5-6	
Number of speeds forward	3

ENGINE

Manufacturer Hercules	Model WXLC3	
Type In-line, 4 cycle	Number of cylinders	6
Displacement	(cu in.)	404
Governed speed	(rpm)	2,900
Brake horsepower		146
Ignition type	Battery	

ADDITIONAL DATA

This vehicle was produced first by Donald Roebling, and later in mass production by Food Machinery Corporation, Borg-Warner Corporation, Graham-Paige, and St. Louis Car Company. This vehicle is now out of production.

STANDARD MILITARY MOTOR VEHICLES
**LANDING VEHICLE, TRACKED (UNARMORED),
MK II—LVT (2)**

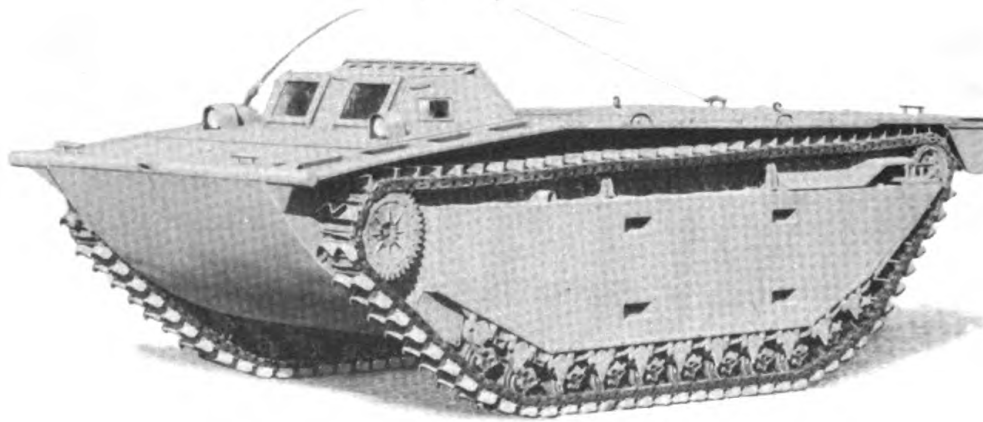
Technical Manuals:

Parts List: SNL G-167

Manufacturers: Borg-Warner Corp.; Food Machinery Corp.; Graham-Paige, and St. Louis Car Co.

Armament: One Gun, machine, cal. .50, HB M2; one to three Guns, machine, cal. .30, M1919A4 (flexible).

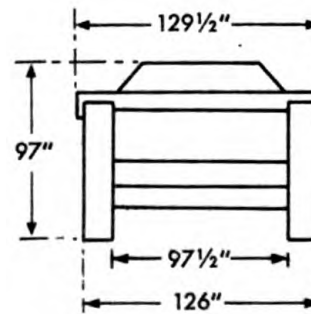
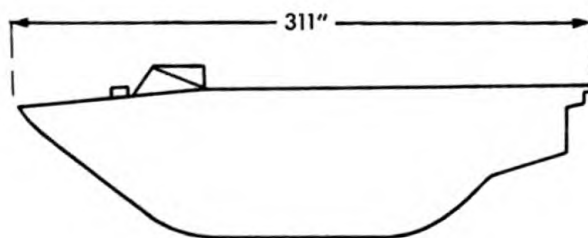
Ammunition: 2,000 rounds, cal. .30; 1,000 rounds, cal. .50.



RA PD 309076

Classification:

Purpose: For use in rough terrain, swamp land, and self-propulsion in exposed waters. Also used for landing on beach through surf.



**SECTION I—AMPHIBIANS AND LANDING VEHICLES
LANDING VEHICLE, TRACKED (UNARMORED)
MK II—LVT (2)**

GENERAL DATA

Crew		3-6
Weight	Unloaded	(lb) 24,400
	Payload, cargo, exclusive of crew	(lb) 6,500
	Hoisting weight	(lb) 30,900
Shipping dimensions	(cu ft)	(sq ft)
Tread, center to center		(in.)
Track width		(in.) 14 1/4
Ground clearance		(in.) 18
Ground pressure, empty		(lb per sq in.) 9
Electrical system		(volts) 12
Capacities	Fuel, 80 octane gasoline	(gal) 106
	Cooling system	Air-cooled
	Oil tank	(qt) 23
	Transmission and differential	(qt) 24
Brakes		Mechanical
Communication		Radio

PERFORMANCE

Maximum gradability, loaded	(percent)	63
Turning radius (ft)	Right	Left
Angle of approach		(deg) 35
Angle of departure		(deg) 30
Fuel consumption, average conditions	(miles per gal)	
Cruising range, average conditions (miles)	Land	Water
Maximum allowable speed (mph)	Land 20	Water 7.5
Number of speeds forward	Land 5	Water

ENGINE

Manufacturer	Continental	Model W670-9A
Type	Single row static radial, 4-cycle	Number of cylinders 7
Displacement		(cu in.) 667
Governed speed		(rpm) 2,400
Brake horsepower		(emergency use) 250
Ignition type		Battery

ADDITIONAL DATA

This vehicle is an improved design of the Landing vehicle, tracked, Mark I and incorporates a light tank M3 power train.

TM 9-2800

**STANDARD MILITARY MOTOR VEHICLES
LANDING VEHICLE, TRACKED (ARMORED),
ARMY TYPE, MK II—LVT (A) (2)**

Technical Manuals:

Parts List: SNL G-168

Manufacturer: Food Machinery Corp.

Armament: One Gun, machine, cal. .50, HB M2 (flexible); one to three
Guns, machine, cal. .30, M1919A4 (flexible).

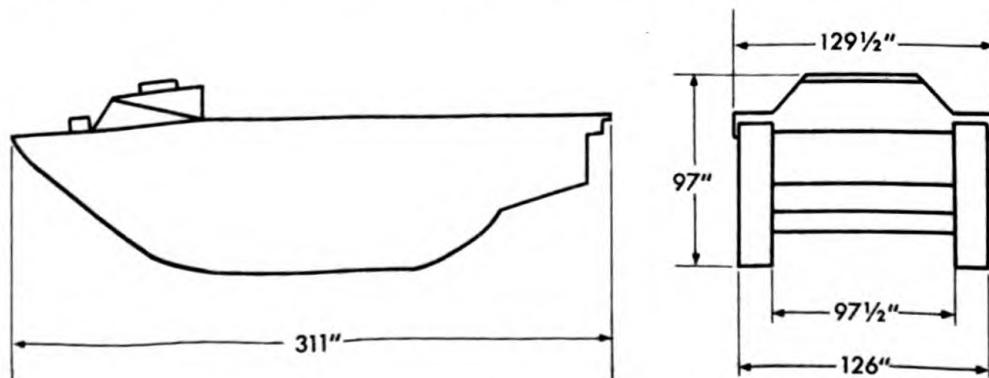
Ammunition: 1,000 rounds, cal. .50; 2,000 rounds, cal. .30.



RA PD 309075

Classification:

Purpose: For use in rough terrain, swamp land, and self-propulsion in
exposed waters. Also used for landing on beach through surf.



**SECTION I—AMPHIBIANS AND LANDING VEHICLES
LANDING VEHICLE, TRACKED (ARMORED),
ARMY TYPE, MK II—LVT (A) (2)**

GENERAL DATA

Crew		4
Weight	Unloaded	(lb) 27,600
	Payload, cargo, exclusive of crew	(lb) 5,200
	Hoisting weight	(lb) 32,800
Shipping dimensions	(cu ft)	(sq ft)
Track width		14 $\frac{1}{4}$ (in.)
Ground clearance		18 (in.)
Ground pressure, empty		10.2 (lb per sq in.)
Electrical system		12 (volts)
Capacities	Fuel, 80 octane gasoline	(gal) 104
	Cooling system	Air-cooled
	Oil tank	(qt) 23
	Transmission and differential	(qt) 24
Brakes		Mechanical
Communication		Radio

PERFORMANCE

Maximum gradability, loaded		(percent) 60
Turning radius (ft)	Right	Left
Angle of approach		(deg) 35
Angle of departure		(deg) 30
Fuel consumption, average conditions		(miles per gal)
Cruising range, average conditions (miles):	Land 200	Water 60
Maximum allowable speed (mph)	Land 20	Water 7.5
Number of speeds forward	Land 5	Water

ENGINE

Manufacturer	Continental	Model W670-9A
Type	Single row static radial, 4 cycle	Number of cylinders 7
Displacement		(cu in.) 667
Governed speed		(rpm) 2,400
Brake horsepower		(emergency use) 250
Ignition type		Battery

ADDITIONAL DATA

This vehicle is essentially the same as Landing vehicle, tracked, Mark II (unarmored) except for the addition of armor plate on certain parts of the vehicle.

STANDARD MILITARY MOTOR VEHICLES
CAR, ARMORED, LIGHT, M8, (6 x 6)

Technical Manual: TM 9-743

Parts List: SNL G-136

Manufacturer: Ford Motor Co.

Armament: One Gun, 37-mm, M6; one Gun, machine, cal. .30, M1919A4 (flexible).

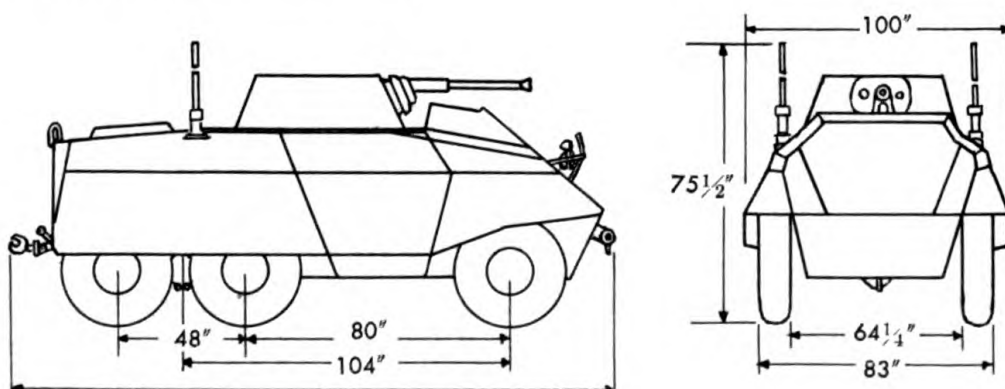
Ammunition: 80 rounds, 37-mm; 400 rounds, cal. .30 (carbine) M1; 1500 rounds, cal. .30 (machine gun); 16 hand grenades; 4 Pots, smoke, M1 or M2; 6 Mines, antitank, HE, M1, with fuze, M1.



RA PD 308906

Classification: Standard

Purpose: To provide high speed mobility, defensive firepower, and crew protection for reconnaissance.



**SECTION II—ARMORED CARS
CAR, ARMORED, LIGHT, M8, (6 x 6)**

GENERAL DATA

Crew.....		4
Weight.....	Gross..... (lb)	16,500
Shipping dimensions.....	(cu ft) 695..... (sq ft) 194	
Tires—Combat.....	Ply... 12..... Size... 9.00 x 20	
Tread, center to center.....	(in.)	76
Ground clearance.....	(in.)	11½
Ground pressure—tires, at 4-inch penetration....	(lbs per sq in.)	11.7
Electrical system.....	(volts)	12
Capacities.....	Fuel, 70 octane gasoline.... (gal)	59
	Cooling system..... (qt)	23
	Crankcase (refill)..... (qt)	7
Brakes.....	Hydraulic (Hydrovac)	
Communication.....	Radio..... Interphone	

PERFORMANCE

Maximum gradability.....	(percent)	60
Turning radius.....	(ft)	27½
Fording depth.....	(in.)	32
Angle of approach.....	(deg)	60
Angle of departure.....	(deg)	60
Fuel consumption, average conditions.....	(miles per gal)	7½
Cruising range, average conditions.....	(miles)	400
Maximum allowable speed.....	(mph)	56
	1st 2nd 3rd 4th	
Cruising speed..	8 15 32 56	

ENGINE

Manufacturer.....	Hercules.....	Model JXD	
Type.....	In-line, 4 cycle.....	Number of cylinders	6
Displacement.....	(cu in.)		320
Governed speed.....	Not governed		
Brake horsepower.....			110
Ignition type.....	Battery		

ADDITIONAL DATA

.....
.....

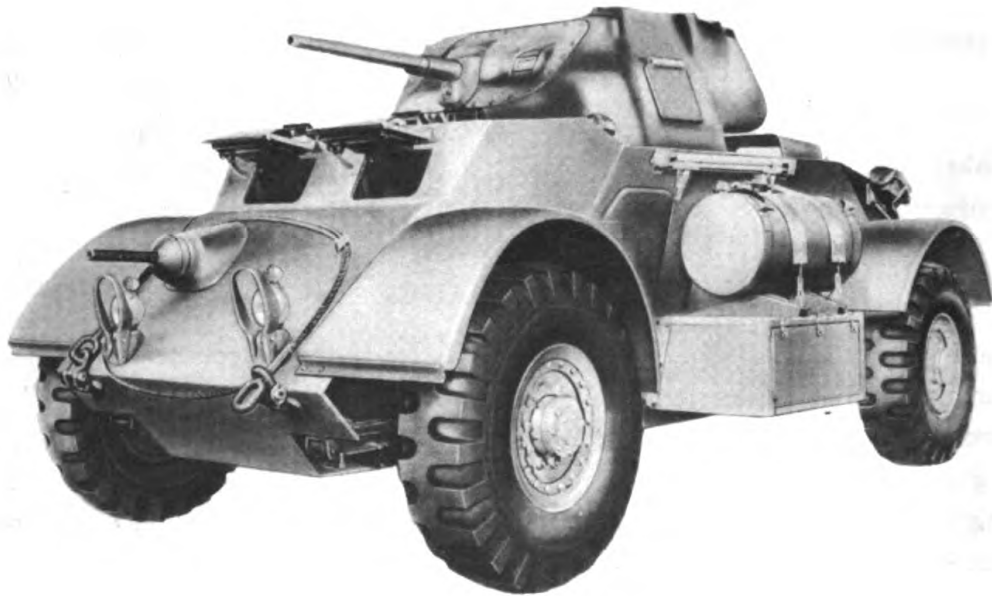
**STANDARD MILITARY MOTOR VEHICLES
CAR, ARMORED, T17E1, (4 x 4)**

Technical Manuals: TM 9-741, TM 9-1741A, Parts List: SNL G-122
TM 9-1741B, TM 9-1741C

Manufacturer: Chevrolet Motor Division (General Motors Corp.)

Armament: One Gun, 37-mm, M6; two Guns, machine, cal. .30, M1919A4 (flexible); one Gun, machine, cal. .30, M1919A4 (fixed); one Gun, sub-machine, cal. .45, M1928A1; one British smoke mortar.

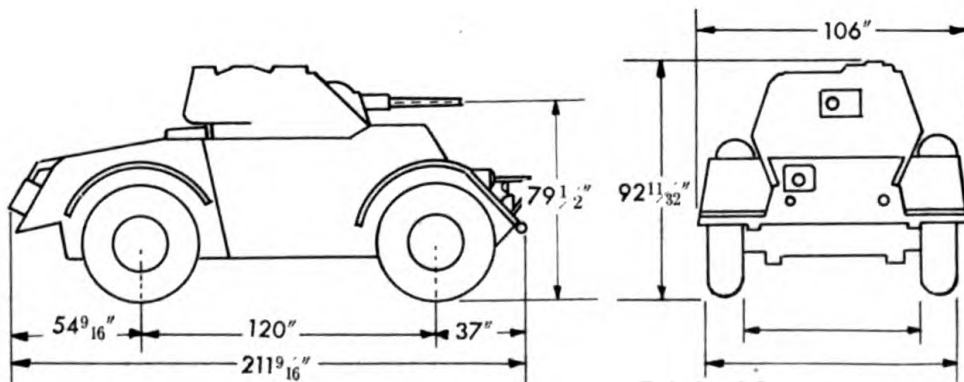
Ammunition: 103 rounds, 37-mm; 450 rounds, cal. .45; 5,250 rounds, cal. .30; 12 hand grenades; 14 smoke projectiles.



RA PD 45963

Classification: None (British only)

Purpose: Special—To provide high speed mobility, defensive firepower, and crew protection for reconnaissance.



SECTION II—ARMORED CARS
CAR, ARMORED, T17E1, (4 x 4)

GENERAL DATA

Crew		5
Weight	Gross	(lb) 29,100
Shipping dimensions	(cu ft) 1,205	(sq ft) 156
Tires—Combat	Ply	Size ... 14.00 x 20
Tread, center to center		(in.) 89
Ground clearance		(in.) 13 ¹ / ₄
Ground pressure—at 4-inch penetration		(lbs per sq in.) 17.95
Electrical system		(volts) 24
Capacities	Fuel, 70 octane gasoline	(gal) 137
	Cooling system, each engine ...	(qt) 25
	Crankcase (refill), each engine.	(qt) 8
Brakes	Hydraulic (Twin Hydrovac)	
Communication	Radio	Interphone

PERFORMANCE

Maximum gradability	(percent)	57
Turning radius	(ft)	27 ¹ / ₂
Fording depth	(in.)	32
Angle of approach	(deg)	57
Angle of departure	(deg)	40
Fuel consumption, average conditions	(miles per gal)	3.3
Cruising range, average conditions	(miles)	450
Maximum allowable speed (mph)	low transfer case	24
	high transfer case	55

ENGINES (Two)

Manufacturer	GMC	Model 270
Type	In-line, 4 cycle	Number of cylinders 6
Displacement		(cu in.) 269.5
Governed speed		Not governed
Brake horsepower		104
Ignition type		Battery

ADDITIONAL DATA

.....

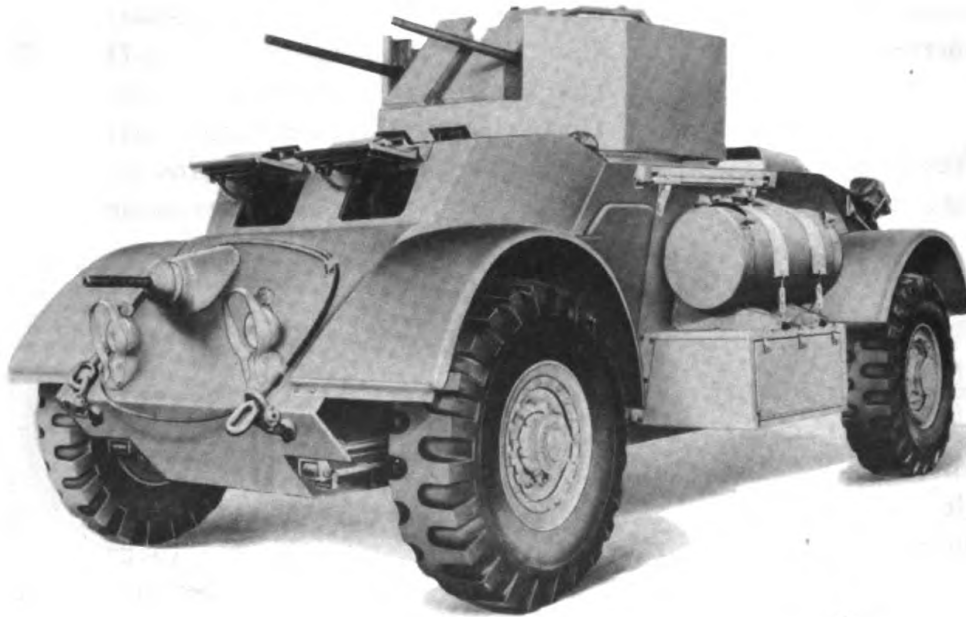
**STANDARD MILITARY MOTOR VEHICLES
CAR, ARMORED, T17E2, (4 x 4)**

Technical Manuals: TM 9-741, TM 9-1741A, Parts List: SNL G-122
TM 9-1741B, TM 9-1741C.

Manufacturer: Chevrolet Motor Division (General Motors Corp.)

Armament: Two Guns, machine, cal. .50, HB, M2; one Gun, submachine,
cal. .45, M1928A1.

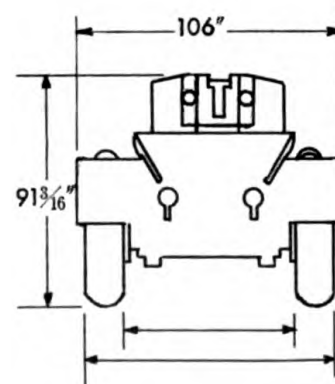
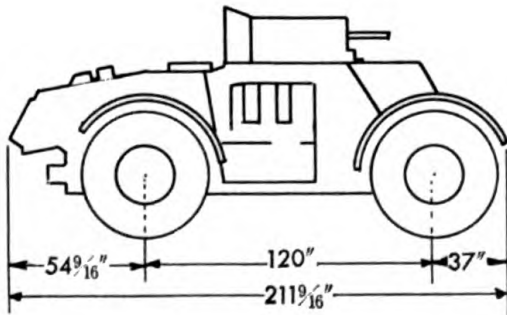
Ammunition: 2,610 rounds, cal. .50; 450 rounds, cal. .45; 12 hand
grenades.



RA PD 308900

Classification: None (British only)

Purpose: To provide high speed mobility, defensive firepower, and crew
protection for reconnaissance.



SECTION II—ARMORED CARS
CAR, ARMORED, T17E2, (4 x 4)

GENERAL DATA

Crew		3
Weight	Gross	26,000
Shipping dimensions	(cu ft)	156
Tires—Combat	Ply Size ...	14.00 x 20
Tread, center to center	(in.)	89
Ground clearance	(in.)	13 $\frac{1}{4}$
Ground pressure—at 4-inch penetration	(lbs per sq in.)	15.4
Electrical system	(volts)	24
Capacities	Fuel, 70 octane gasoline	137
	Cooling system, each	25
	Crankcase (refill) each	8
Brakes	Hydraulic (Twin Hydrovac)	
Communication	Radio	Interphone

PERFORMANCE

Maximum gradability	(percent)	57
Turning radius	(ft)	27 $\frac{1}{2}$
Fording depth	(in.)	32
Angle of approach	(deg)	57
Angle of departure	(deg)	40
Fuel consumption, average conditions	(miles per gal)	3.3
Cruising range, average conditions	(miles)	450
Maximum allowable speed (mph)	low transfer case	24
	high transfer case	55

ENGINES (Two)

Manufacturer	GMC	Model 270	
Type	In-line, 4 cycle	Number of cylinders	6
Displacement	(in.)		269.5
Governed speed	Not governed		
Brake horsepower			104
Ignition type	Battery		

ADDITIONAL DATA

.....

Generated on 2013-05-07 09:51 GMT / http://hdl.handle.net/2027/uc1.b3244022
 Public Domain, Google-digitized / http://www.hathitrust.org/access_use#pd-google

STANDARD MILITARY MOTOR VEHICLES
CAR, ARMORED, UTILITY, M20, (6 x 6)

Technical Manual: TM 9-743

Parts List: SNL G-176

Manufacturer: Ford Motor Co.

Armament: One Gun, machine, cal. .50, HB, M2; five Carbines, cal. .30;
one Launcher, rocket, AT, M1.

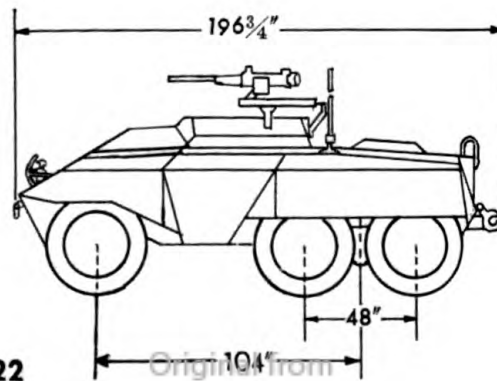
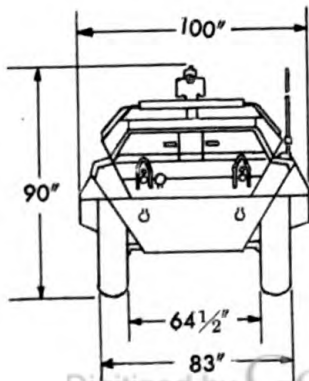
Ammunition: 1,000 rounds, cal. .50; 500 rounds, cal. .30; 12 hand
grenades; 10 rockets, AT, M6.



RA PD 308907

Classification: Standard

Purpose: To provide a highly mobile armored personnel and cargo carrier and field commanders car.



Original from UNIVERSITY OF CALIFORNIA

SECTION II—ARMORED CARS
CAR, ARMORED, UTILITY, M20, (6 x 6)

GENERAL DATA

Crew		6
Weight	Gross	14,500
	(lb)	
Shipping dimensions	(cu ft) 695	(sq ft) 194
Tires—Combat	Ply ... 12	Size ... 9.00 x 20
Tread, center to center		(in.) 76
Ground clearance		(in.) 11½
Ground pressure—at 3-inch penetration		(lbs per sq in.) 10.5
Electrical system		(volts) 12
Capacities	Fuel, 70 octane gasoline	(gal) 56
	Cooling system	(qt) 23
	Crankcase (refill)	(qt) 7
Brakes	Hydraulic (Hydrovac)	
Communication	Radio	Interphone

PERFORMANCE

Maximum gradability	(percent)	60
Turning radius	(ft)	28
Fording depth	(in.)	32
Angle of approach	(deg)	60
Angle of departure	(deg)	60
Fuel consumption, average conditions	(miles per gal)	7
Cruising range, average conditions	(miles)	400
Maximum allowable speed	(mph)	56
	1st 2nd 3rd 4th	
Cruising speed ..	8 15 32 56	

ENGINE

Manufacturer	Hercules	Model JXD	
Type	In-line, 4 cycle	Number of cylinders	6
Displacement		(cu in.)	320
Governed speed		Not governed	
Brake horsepower			110

ADDITIONAL DATA

.....

.....

.....

.....

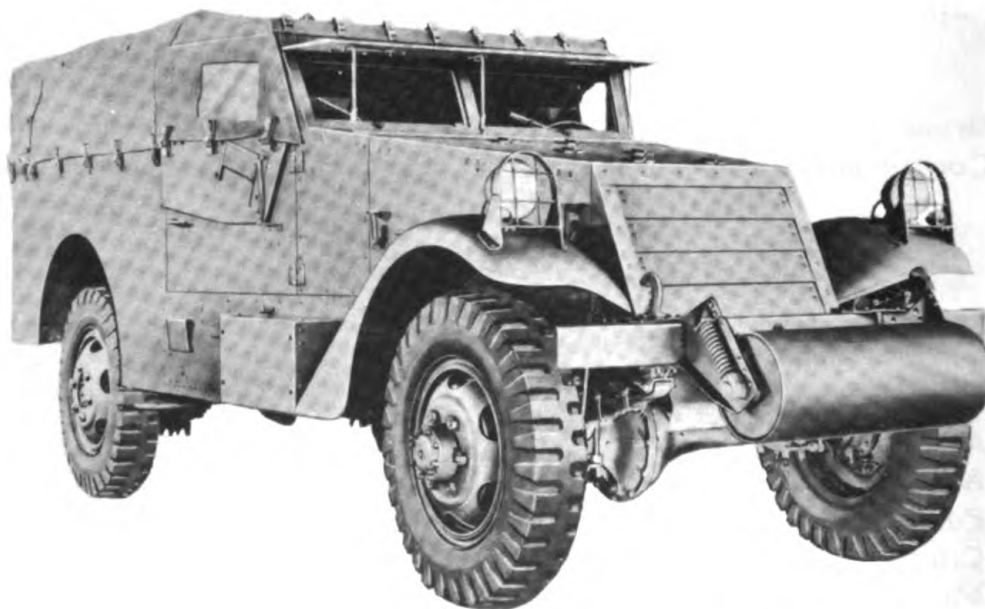
STANDARD MILITARY MOTOR VEHICLES
CAR, SCOUT, M3A1, (4 x 4)

Technical Manuals: TM 9-705, TM 9-1705, Parts List: SNL G-67
 TM 9-1706, TM 9-1709.

Manufacturer: White Motor Co.

Armament: One Gun, machine, cal. .30, M1919A4, flexible; one Gun, machine, cal. .50, HB, M2, flexible; one Gun, submachine, cal. .45, M1928A1.

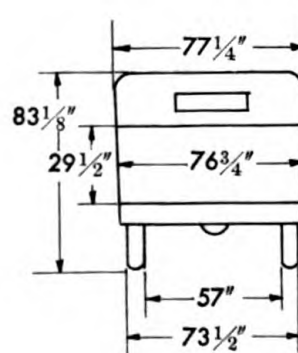
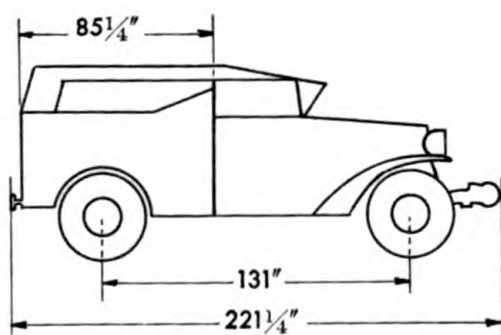
Ammunition: 8,000 rounds, cal. .30; 750 rounds, cal. .50; 540 rounds, cal. .45.



RA PD 66367

Classification: Standard

Purpose: To provide mobility and crew protection for reconnaissance in combat.



SECTION III—SCOUT CARS
CAR, SCOUT, M3A1, (4 x 4)

GENERAL DATA

Crew, operating 2	Passenger capacity including crew	8
Weight	Net (lb)	8,900
	Payload (lb)	2,850
	Gross (lb)	11,750
	Boxed for export (lb)	12,951
Shipping dimensions (cu ft) 723	(sq ft) 118	
Tires—Combat	Size 8.25 x 20	
Tread, center to center (in.)	Front 63 ¹ / ₄	Rear 65 ¹ / ₄
Ground clearance	(in.)	15 ³ / ₄
Ground pressure	(lbs per sq in.)	60
Electrical system	(volts)	12
Capacities	Fuel, 70 octane gasoline (gal)	30
	Cooling system (qt)	19
	Crankcase (refill) (qt)	6
Brakes	Hydraulic (Hydrovac)	
Communication	Radio	

PERFORMANCE

Maximum gradability	(percent)	60
Turning radius	(ft)	28 ¹ / ₂
Fording depth	(in.)	28
Angle of approach	(deg)	37
Angle of departure	(deg)	35
Fuel consumption, average conditions	(miles per gal)	8 ¹ / ₂
Cruising range, average conditions	(miles)	250
Maximum allowable speed	(mph)	55 ¹ / ₂
		1st 2nd 3rd 4th
Cruising speed	11.1 17.6 32.3 55.5	

ENGINE

Manufacturer Hercules	Model JXD	
Type In-line, 4 cycle	Number of cylinders	6
Displacement	(cu in.)	320
Governed speed	Not governed	
Brake horsepower		110
Ignition type	Battery	

ADDITIONAL DATA

.....

Generated on 2013-05-07 09:52 GMT / http://hdl.handle.net/2027/uc1.b3244022
 Public Domain, Google-digitized / http://www.hathitrust.org/access_use#pd-google

**STANDARD MILITARY MOTOR VEHICLES
CAR, HALF-TRACK, M2**

Technical Manuals: TM 9-710A, TM 9-1710, Parts List: SNL G-102
TM 9-1710C, TM 9-1711.

Manufacturers: The Autocar Co.; White Motor Co.

Armament: One Gun, machine, cal. .50, HB, M2; one Gun, machine,
cal. .30, M1919A4; one Gun, submachine, cal. .45, M1928A1.

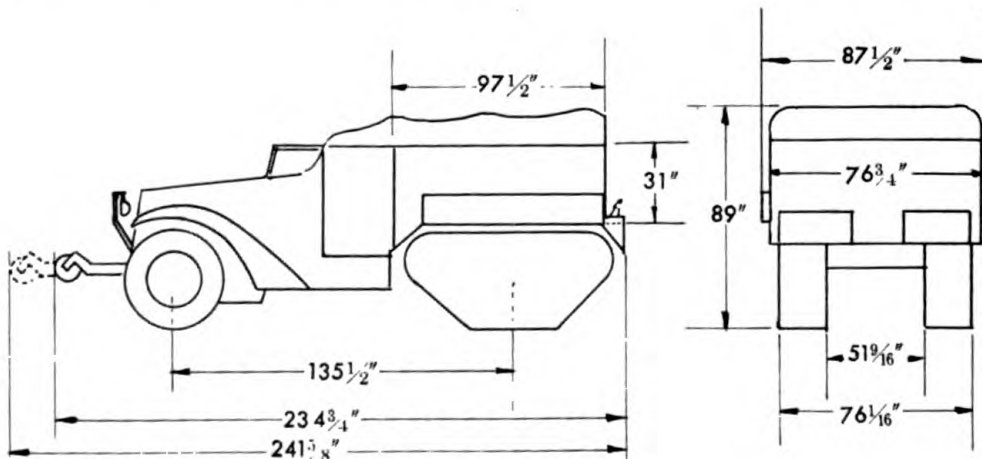
Ammunition: 700 rounds, cal. .50; 7,750 rounds, cal. .30; 14 Mines,
AT HE, M1, w/fuze; 10 hand grenades.



RA PD 309054

Classification: Standard

Purpose: To transport cargo and personnel in combat zone.



SECTION IV—CARGO AND PERSONNEL CARRIERS
CAR, HALF-TRACK, M2

GENERAL DATA

Crew		10
Weight	Payload—w winch..... (lb)	3140
	Payload—w o winch..... (lb)	3640
	Gross..... (lb)	17,800
Shipping dimensions.....	w/winch (cu ft) 896... (sq ft) 147	
	w/o winch (cu ft) 868... (sq ft) 147	
Tires—Combat.....	Ply ... 12..... Size ... 8.25 x 20	
Tread, center to center.....	Front..... (in.)	64 $\frac{1}{2}$
Track width.....	(in.)	12 $\frac{1}{4}$
Ground clearance.....	(in.)	11 $\frac{3}{16}$
Ground pressure, tires.....	(lbs per sq in.)	29.4
Electrical system.....	(volts)	12
Capacities.....	Fuel, 80 octane gasoline..... (gal)	60
	Cooling system..... (qt)	26
	Crankcase (refill)..... (qt)	12
Brakes.....	Hydraulic (Hydrovac)	
Communication.....	Radio	

PERFORMANCE

Maximum gradability.....	(percent)	60
Turning radius (ft).....	Right 30.....	Left 29 $\frac{1}{2}$
Fording depth.....	(in.)	32
Maximum vertical obstacle vehicle will climb.....	(in.)	12
Angle of approach (deg).....	With winch 33.. Without winch 37	
Angle of departure.....	(deg)	45
Fuel consumption, average conditions.....	(miles per gal)	2 $\frac{1}{2}$
Cruising range, average conditions.....	(miles)	120
Maximum allowable speed.....	(mph)	45
	1st 2nd 3rd 4th	
Cruising speed..	9 17 26 45	
Manufacturer.....	White..... Model 160 AX	
Type.....	In-line, 4 cycle..... Number of cylinders	6
Displacement.....	(cu in.)	386
Governed speed.....	Not governed	
Brake horsepower.....		148
Ignition type.....	Battery	

ADDITIONAL DATA

Winch capacity.....	(lb)	10,000
---------------------	------	--------

**STANDARD MILITARY MOTOR VEHICLES
CAR, HALF-TRACK, M2A1**

Technical Manuals: TM 9-710A, TM 9-1710, Parts List: SNL G-102
TM 9-1710C, TM 9-1711.

Manufacturers: The Autocar Co.; White Motor Co.

Armament: One Gun, machine, cal. .50, HB M2, (flexible); one Gun, machine, cal. .30, M1919A4 (flexible); one Gun, submachine, cal. .45, M1928A1.

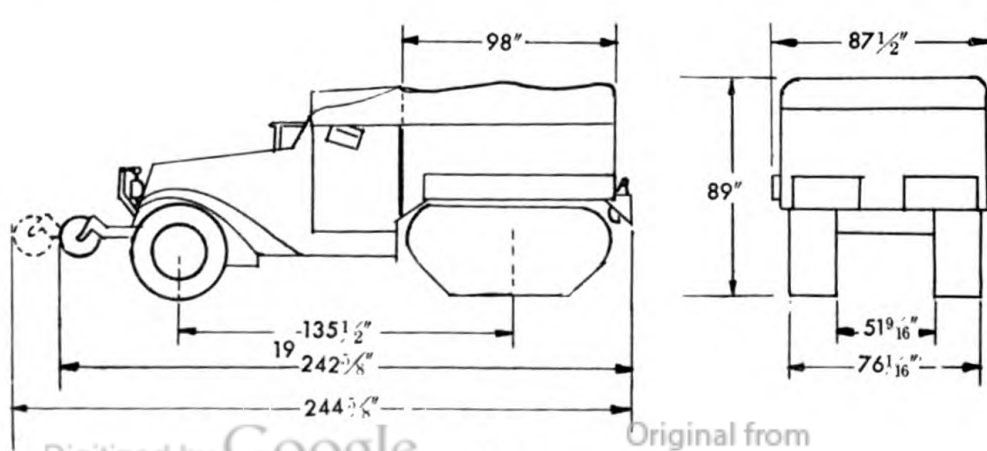
Ammunition: 700 rounds, cal. .50; 7,750 rounds, cal. .30; 540 rounds, cal. .45; 14 mines, AT HE, w/ fuze; 10 hand grenades.



RA PD 308917

Classification: Standard

Purpose: To transport cargo and personnel in combat zone.



**SECTION IV—CARGO AND PERSONNEL CARRIERS
CAR, HALF-TRACK, M2A1**

GENERAL DATA

Crew.....		10
Weight.....	Payload—w/winch.....(lb)	3,100
	Payload—w/o winch.....(lb)	3,600
	Gross.....(lb)	18,080
Shipping dimensions.....	w/winch (cu ft) 896.....(sq ft) 147	
	w/o winch (cu ft) 868.....(sq ft) 147	
Tires—Combat.....	Ply . . . 12..... Size . . . 8.25 x 20	
Tread, center to center.....	Front.....(in.)	64 $\frac{1}{2}$
Track width.....		12 $\frac{1}{4}$
Ground clearance.....		11 $\frac{3}{16}$
Ground pressure, tires.....	(lbs per sq in.)	29.4
Electrical system.....		(volts) 12
Capacities.....	Fuel, 80 octane gasoline(gal)	60
	Cooling system.....(qt)	26
	Crankcase (refill).....(qt)	12
Brakes.....	Hydraulic (Hydrovac)	
Communication.....	Radio	

PERFORMANCE

Maximum gradability.....	(percent)	60
Turning radius (ft).....	Right 30.....	Left 29 $\frac{1}{2}$
Fording depth.....	(in.)	32
Maximum vertical obstacle vehicle will climb.....	(in.)	12
Angle of approach (deg)	With winch 33.. Without winch 37	
Angle of departure.....	(deg)	45
Fuel consumption, average conditions.....	(miles per gal)	3.6
Cruising range, average conditions.....	(miles)	220
Maximum allowable speed.....	(mph)	45
		1st 2nd 3rd 4th
Cruising speed..	9 17 26 45	

ENGINE

Manufacturer.....	White.....	Model 160AX
Type.....	In-line, 4 cycle.....	Number of cylinders 6
Displacement.....		(cu in.) 386
Governed speed.....		Not governed
Brake horsepower.....		148
Ignition type.....		Battery

ADDITIONAL DATA

Winch capacity.....	(lb)	10,000
---------------------	------	--------

TM 9-2800

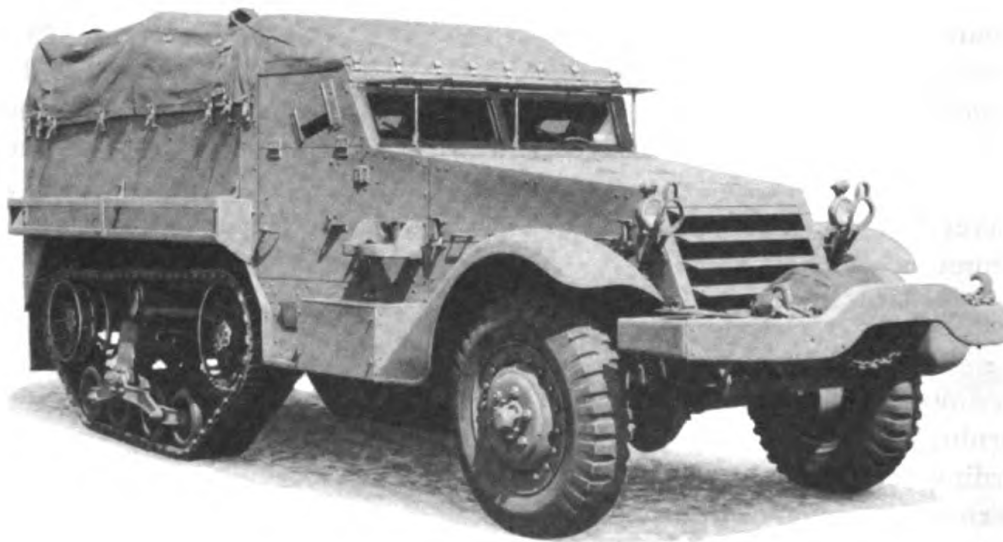
**STANDARD MILITARY MOTOR VEHICLES
CARRIER, PERSONNEL, HALF-TRACK, M3**

Technical Manuals: TM 9-710A, TM 9-1710, Parts List: SNL G-102
TM 9-1710C, TM 9-1711.

Manufacturers: The Autocar Co.; Diamond T Motor Car Co.; White
Motor Co.

Armament: One Gun, machine, cal. .30, M1919A4; one Gun, submachine,
cal. 45, M1928A1; provision for 12 rifles, U. S., cal. .30, M1, M1903, or
M1903A1.

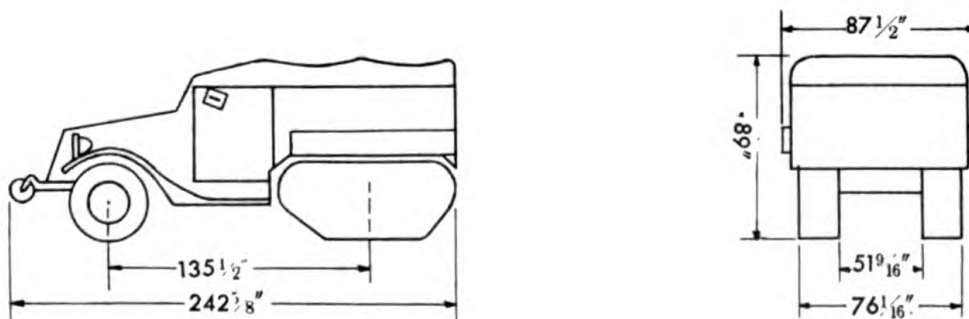
Ammunition: 4,000 rounds, cal. .30; 540 rounds, cal. .45; 24 Mines, AT,
w/fuze, M1; 22 hand grenades.



RA PD 309053

Classification: Standard

Purpose: To transport cargo and personnel in combat zone.



Digitized by Google

Original from
UNIVERSITY OF CALIFORNIA

**SECTION IV—CARGO AND PERSONNEL CARRIERS
CARRIER, PERSONNEL, HALF-TRACK, M3**

GENERAL DATA

Crew		13
Weight	Payload—w/ winch	(lb) 3,000
	Payload—w/o winch	(lb) 3,500
	Gross	(lb) 17,650
Shipping dimensions	w/ winch (cu ft) 924	(sq ft) 148
	w/o winch (cu ft) 903	(sq ft) 148
Tires—Combat	Ply . . . 12	Size . . . 8.25 x 20
Tread, center to center	Front	(in.) 64½
Track width		(in.) 12¼
Ground clearance		(in.) 11¾
Ground pressure, tires		(lbs per sq in.) 29.4
Electrical system		(volts) 12
Capacities	Fuel, 80 octane gasoline	(gal) 60
	Cooling system	(qt) 26
	Crankcase (refill)	(qt) 12
Brakes	Hydraulic (Hydrovac)	
Communication	Radio	

PERFORMANCE

Maximum gradability	(percent)	60
Turning radius (ft)	Right 30	Left 29½
Fording depth	(in.)	32
Maximum vertical obstacle vehicle will climb	(in.)	12
Angle of approach (deg)	With winch 33 .. Without winch 37	
Angle of departure	(deg)	45
Fuel consumption, average conditions	(miles per gal)	3.6
Cruising range, average conditions	(miles)	220
Maximum allowable speed	(mph)	45
	1st 2nd 3rd 4th	
Cruising speed ..	9 17 26 45	

ENGINE

Manufacturer	White	Model 160AX
Type	In-line, 4 cycle	Number of cylinders 6
Displacement		(cu in.) 386
Governed speed	Not governed	
Brake horsepower		148

ADDITIONAL DATA

Winch capacity	(lb)	10,000
----------------------	------	--------

TM 9-2800

**STANDARD MILITARY MOTOR VEHICLES
CARRIER, PERSONNEL, HALF-TRACK, M3A1**

Technical Manuals: TM 9-710A, TM 9-1710, Parts List: SNL G-102
TM 9-1710C, TM 9-1711.

Manufacturers: The Autocar Co.; Diamond T Motor Co.; White Motor Co.

Armament: One Gun, machine, cal. .50, HB, M2 (flexible); one Gun, machine, cal. .30, M1919A4 (flexible); one Gun, submachine, cal. .45, M1928A1; provision for 12 rifles, cal. .30, M1, M1903, or M1903A1.

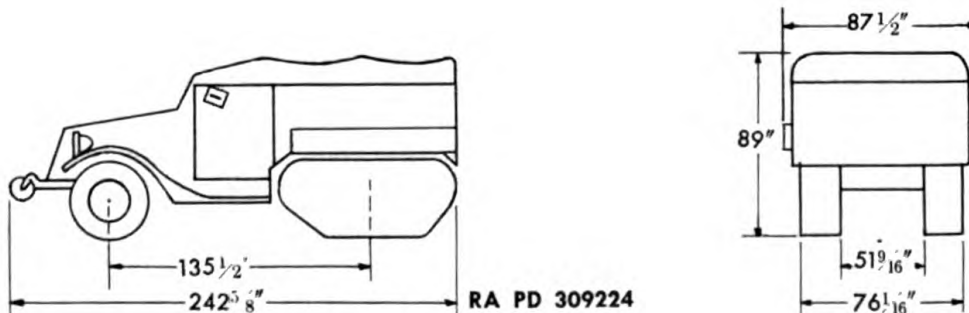
Ammunition: 700 rounds, cal. .50; 7,750 rounds, cal. .30; 540 rounds, cal. .45; 24 Mines, AT, w/fuze, M1; 22 hand grenades.



RA PD 308918

Classification: Standard

Purpose: To transport cargo and personnel in combat zone.



Digitized by Google

**SECTION IV—CARGO AND PERSONNEL CARRIERS
CARRIER, PERSONNEL, HALF-TRACK, M3A1**

GENERAL DATA

Crew		13
Weight	Payload—w/ winch..... (lb)	3,000
	Payload—w/ o winch..... (lb)	3,500
	Gross..... (lb)	18,425
Shipping dimensions.....	w/ winch (cu ft) 980... (sq ft) 128	
	w/ o winch (cu ft) 959... (sq ft) 128	
Tires—Combat	Ply ... 12..... Size ... 8.25 x 20	
Tread, center to center.....	Front..... (in.)	64½
Track width.....	(in.)	12¼
Ground clearance.....	(in.)	11¾
Ground pressure, tires.....	(lbs per sq in.)	29.4
Electrical system.....	(volts)	12
Capacities.....	Fuel, 80 octane gasoline..... (gal)	60
	Cooling system..... (qt)	26
	Crankcase (refill)..... (qt)	12
Brakes.....	Hydraulic (Hydrovac)	
Communication.....	Radio	

PERFORMANCE

Maximum gradability.....	(percent)	60
Turning radius (ft).....	Right 30.....	
	Left 29½	
Fording depth.....	(in.)	32
Maximum vertical obstacle vehicle will climb.....	(in.)	12
Angle of approach (deg).....	With winch 33.....	
	Without winch 37	
Angle of departure.....	(deg)	45
Fuel consumption, average conditions.....	(miles per gal)	3.6
Cruising range, average conditions.....	(miles)	220
Maximum allowable speed.....	(mph)	45
	1st 2nd 3rd 4th	
Cruising speed..	9 17 26 45	

ENGINE

Manufacturer.....	White.....	Model 160AX
Type.....	In-line, 4 cycle.....	Number of cylinders 6
Displacement.....	(cu in.)	386
Governed speed.....	Not governed	
Brake horsepower.....		148
Ignition type.....	Battery	

ADDITIONAL DATA

Winch capacity.....	(lb)	10,000
---------------------	------	--------

**STANDARD MILITARY MOTOR VEHICLES
CARRIER, PERSONNEL, HALF-TRACK, M5**

Technical Manuals: TM 9-707,
TM 9-1707A, TM 9-1707B.

Parts List: SNL G-147

Manufacturer: International Harvester Co.

Armament: One Gun, machine, cal. .30; one Gun, submachine, cal. .45,
M1928A1; provision for 12 rifles, cal. .30, M1 or M1903.

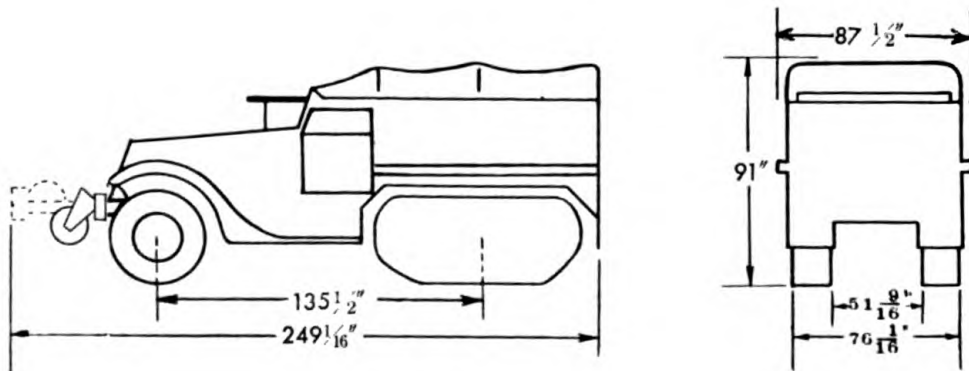
Ammunition: 4,000 rounds, cal. .30; 540 rounds, cal. .45; 22 hand
grenades; 24 Mines, AT w/fuze, M1.



RA PD 66329

Classification: Standard

Purpose: To transport cargo and personnel in combat zone.



**SECTION IV—CARGO AND PERSONNEL CARRIERS
CARRIER, PERSONNEL, HALF-TRACK, M5**

GENERAL DATA

Crew		13
Weight	Payload w winch	(lb) 3,000
	Payload w o winch	(lb) 3,500
	Gross	(lb) 18,900
Shipping dimensions	w winch (cu ft) 927	(sq ft) 146
	w o winch (cu ft) 901	(sq ft) 146
Tires—Combat	Ply . . . 12	Size . . . 9.00 x 20
Tread, center to center	Front	(in.) 66 ¹ / ₂
Track width		(in.) 12 ¹ / ₄
Ground clearance		(in.) 11 ³ / ₁₆
Ground pressure, tires		(lbs per sq in.)
Electrical system		(volts) 12
Capacities	Fuel, 80 octane gasoline	(gal) 60
	Cooling system	(qt) 31
	Crankcase (refill)	(qt) 8
Brakes		Hydraulic (Hydrovac)
Communication		Radio

PERFORMANCE

Maximum gradability		(percent) 60
Turning radius (ft)	Right 28	Left 30
Fording depth		(in.) 32
Maximum vertical obstacle vehicle will climb		(in.) 11
Angle of approach (deg)	With winch 36 ..	Without winch 40
Angle of departure		(deg) 32
Fuel consumption, average conditions		(miles per gal) 3.6
Cruising range, average conditions		(miles) 220
Maximum allowable speed		(mph) 42
Number of speeds forward		4

ENGINE

Manufacturer	IHC	Model Red-450B
Type	In-line, 4 cycle	Number of cylinders 6
Displacement		(cu in.) 451
Governed speed		(rpm) 2,600
Brake horsepower		141
Ignition type		Battery

ADDITIONAL DATA

Winch capacity		(lb) 10,000
.....		
.....		

STANDARD MILITARY MOTOR VEHICLES
CARRIER, PERSONNEL, HALF-TRACK, M5A1

Technical Manuals: TM 9-707, TM 9-1707A. Parts List: SNL G-147
 Manufacturer: International Harvester Co.

Armament: One Gun, machine, cal. .30, M1919A4 (flexible); one Gun, machine, cal. .50, HB, M2 (flexible); one Gun, submachine, cal. .45, M1928A1; twelve Rifles, cal. .30, M1, M1903, or M1903A1.

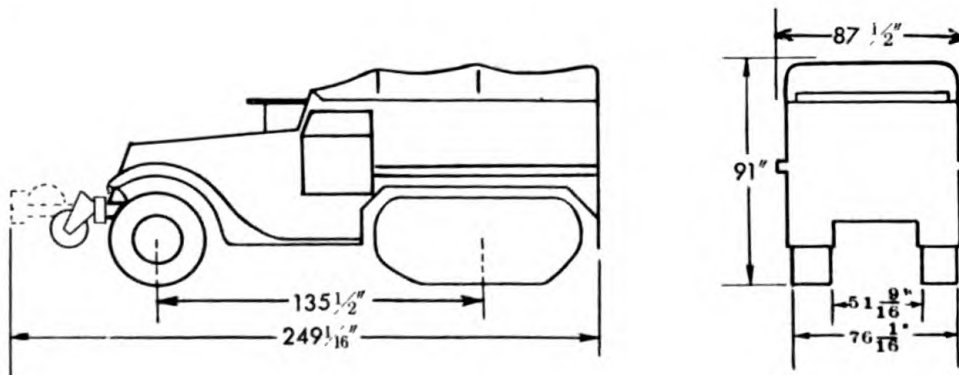
Ammunition: 7,750 rounds, cal. .30; 700 rounds, cal. .50; 540 rounds, cal. .45; 22 hand grenades.



RA PD 308922

Classification: Standard

Purpose: Used to transport cargo and personnel in combat zone.



**SECTION IV—CARGO AND PERSONNEL CARRIERS
CARRIER, PERSONNEL, HALF-TRACK, M5A1**

GENERAL DATA

Crew		13
Weight	Payload, w winch (lb)	3,000
	Payload, w o winch (lb)	3,500
	Gross (lb)	19,675
Shipping dimensions	w winch (cu ft) 927 (sq ft)	146
	w o winch (cu ft) 901 (sq ft)	146
Tires—Combat	Ply . . . 12 Size . . . 9.00 x 20	
Tread, center to center	Front (in.)	66 $\frac{1}{2}$
Track width		12 $\frac{1}{4}$
Ground clearance		11 $\frac{3}{16}$
Ground pressure, tires	(lbs per sq in.)	
Electrical system	(volts)	12
Capacities	Fuel, 80 octane gasoline (gal)	60
	Cooling system (qt)	31
	Crankcase (refill) (qt)	8
Brakes	Hydraulic (Hydrovac)	
Communication	Radio	

PERFORMANCE

Maximum gradability	(percent)	60
Turning radius (ft)	Right 28 Left 30	
Fording depth	(in.)	32
Maximum vertical obstacle vehicle will climb	(in.)	11
Angle of approach (deg)	w winch 36 w o winch 40	
Angle of departure	(deg)	32
Fuel consumption, average conditions	(miles per gal)	4.15
Cruising range, average conditions	(miles)	225
Maximum allowable speed	(mph)	42
Number of speeds forward		4

ENGINE

Manufacturer	IHC Model Red-450B	
Type	In-line, 4 cycle Number of cylinders	6
Displacement	(cu in.)	451
Governed speed	(rpm)	2,600
Brake horsepower		141
Ignition type	Battery	

ADDITIONAL DATA

Winch capacity	(lb)	10,000
--------------------------	------	--------

TM 9-2800

STANDARD MILITARY MOTOR VEHICLES
CAR, HALF-TRACK, M9A1

Technical Manuals: TM 9-707, TM 9-1707A. Parts List: SNL G-147

Manufacturer: International Harvester Co.

Armament: One Gun, machine, cal. .50, M2; one Gun, machine, cal. .30, 1919A4; one Gun, submachine, cal. .45.

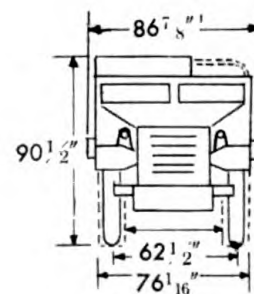
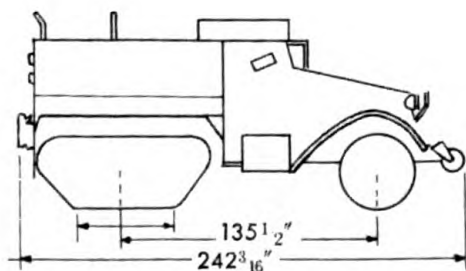
Ammunition: 7,750 rounds, cal. .30; 700 rounds, cal. .50; 540 rounds, cal. .45; 10 hand grenades; 14 Mines AT, HE, M1 w/fuze.



RA PD 308922

Classification: Substitute standard

Purpose: Used to transport cargo and personnel in combat zone.



**SECTION IV—CARGO AND PERSONNEL CARRIERS
CAR, HALF-TRACK, M9A1**

GENERAL DATA

Crew		10
Weight	Payload, w winch	(lb) 3,000
	Payload, w o winch	(lb) 3,500
	Gross	(lb) 19,050
Shipping dimensions	w winch (cu ft)	(sq ft)
	w o winch (cu ft)	(sq ft)
Tires—Combat	Ply . . . 12	Size . . . 9.00 x 20
Tread, center to center	Front	(in.) 66 ¹ / ₂
Track width		(in.) 12 ¹ / ₄
Ground clearance		(in.) 11 ³ / ₁₆
Ground pressure, tires		(lbs per sq in.)
Electrical system		(volts) 12
Capacities	Fuel, 80 octane gasoline	(gal) 60
	Cooling system	(qt) 31
	Crankcase (refill)	(qt) 10 ¹ / ₂
Brakes		Hydraulic (Hydrovac)
Communication		Radio

PERFORMANCE

Maximum gradability		(percent) 60
Turning radius (ft)	Right 28	Left 30
Fording depth		(in.) 32
Maximum vertical obstacle vehicle will climb		(in.) 12
Angle of approach (deg)	With winch 36	Without winch 40
Angle of departure		(deg) 32
Fuel consumption, average conditions		(miles per gal) 3.6
Cruising range, average conditions		(miles) 220
Maximum allowable speed		(mph) 42
Number of speeds forward		4

ENGINE

Manufacturer	IHC	Model Red-450B
Type	In-line, 4 cycle	Number of cylinders 6
Displacement		(cu in.) 451
Governed speed		(rpm) 2,600
Brake horsepower		141
Ignition type		Battery

ADDITIONAL DATA

Winch capacity		(lb) 10,000
----------------------	--	-------------

STANDARD MILITARY MOTOR VEHICLES CARRIER, CARGO, T14

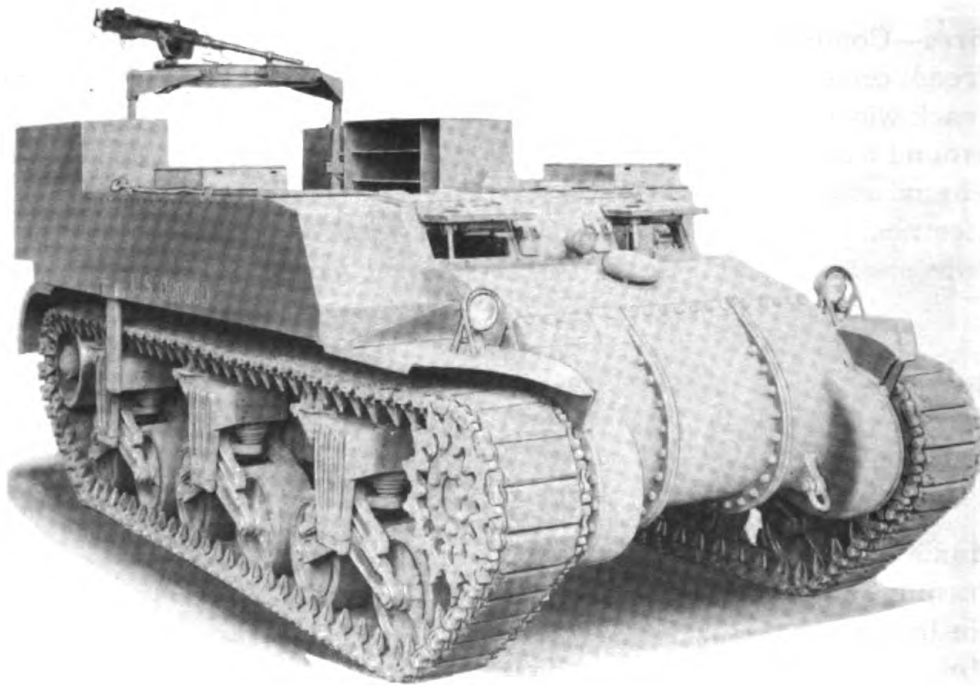
Technical Manual: TM 9-751.

Parts List: SNL G-158

Manufacturer: Pressed Steel Car Co.

Armament: One Gun, machine, cal. .50, HB, M2 (flexible); one Launcher, grenade (carbine); five Carbines, cal. .30, M1.

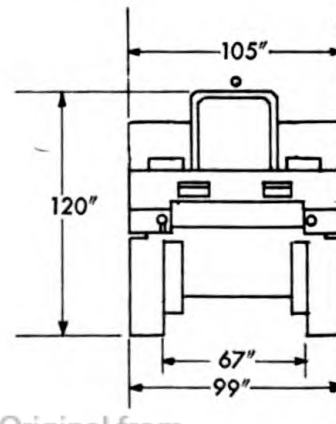
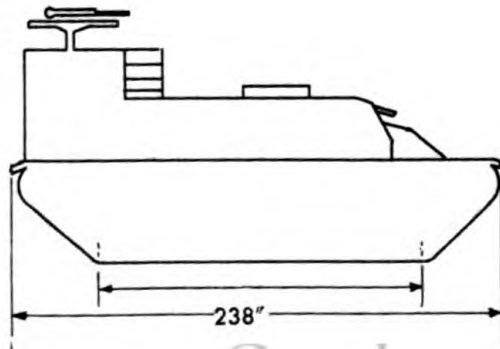
Ammunition: 1,000 rounds, cal. .50; 12 Grenades, hand; 10 Grenades, rifle, M9A1.



RA PD 308914

Classification:

Purpose: Used in conjunction with 155-mm gun motor carriage, M12.
Carries ammunition for 155-mm gun.



SECTION IV—CARGO AND PERSONNEL CARRIERS
CARRIER, CARGO, T14

GENERAL DATA

Crew		6
Weight	Gross (lb)	47,000
Shipping dimensions	(cu ft) (sq ft)	
Tread, center to center	(in.)	83
Track width	(in.)	16
Ground clearance	(in.)	22
Ground pressure	(lbs per sq in.)	10
Electrical system	(volts)	12
Capacities	Fuel, 80 octane gasoline (gal)	200
	Cooling system Air cooled	
	Oil tank (qt)	36
	Transmission and differential (qt)	128
Brakes	Mechanical	
Communication	Radio Interphone	

PERFORMANCE

Maximum gradability	(percent)	60
Turning radius	(ft)	31
Fording depth	(in.)	36
Maximum width of ditch vehicle will cross	(in.)	72
Maximum vertical obstacle vehicle will climb	(in.)	24
Fuel consumption, average conditions	(miles per gal)	.75
Cruising range, average conditions	(miles)	140
Maximum allowable speed	(mph)	24
	1st 2nd 3rd 4th 5th	
Cruising speed	2 5 9 14 21	

ENGINE

Manufacturer	Continental	Model R975-C1	
Type	Radial, 4 cycle	Number of cylinders	9
Displacement		(cu in.)	973
Governed speed		(rpm)	2,400
Brake horsepower			400
Ignition type		Magneto	

ADDITIONAL DATA

Carries the following ammunition for 155-mm gun motor carriage M12:
 40 rounds, Charge, propelling, NH powder, 155-mm gun, M1917,
 M1917A1; 50 rounds, Fuze, PD, M51 w/booster M21; 10 shells, HE,
 155-mm gun, MK 111A1 or M101; 50 Primers, percussion, 21 grain,
 MK 11A1.

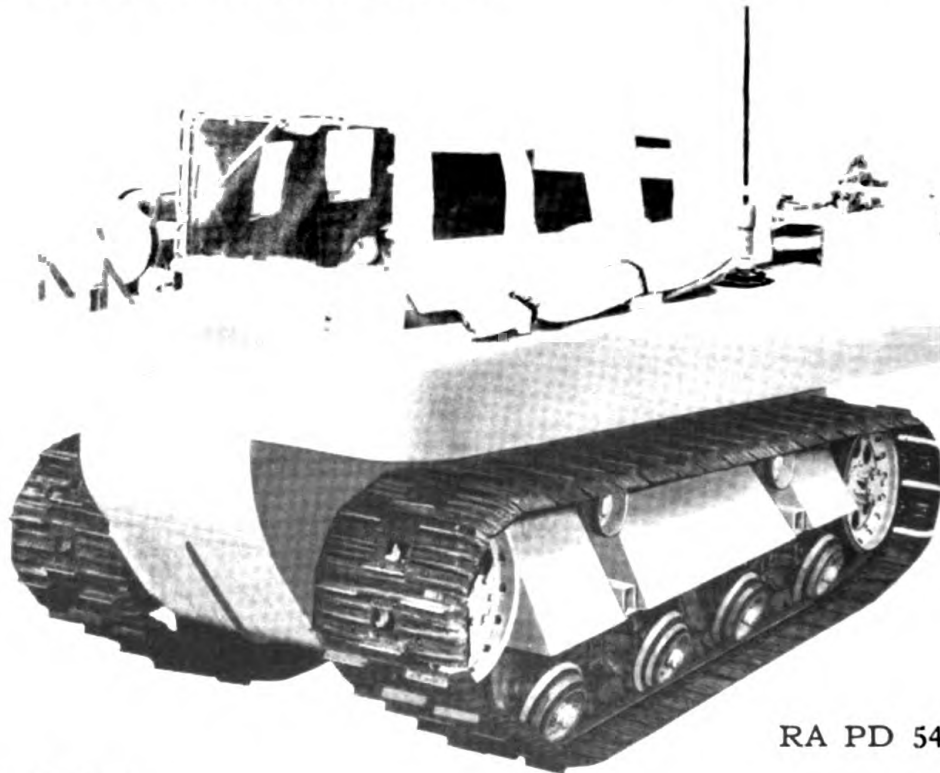
**STANDARD MILITARY MOTOR VEHICLES
CARRIER, LIGHT CARGO, T15**

Technical Manuals: TM 9-893, TM 9-1893A, Parts List: SNL G-154
TM 9-1893B.

Manufacturer: The Studebaker Corp.

Armament: One Rifle, automatic, cal. .30, Browning, M1918; one Gun, submachine, cal. .45, M1928A1; two Carbines, cal. .30, M1; one Launcher, rocket, AT, M1 (not used if equipped with Browning automatic rifle).

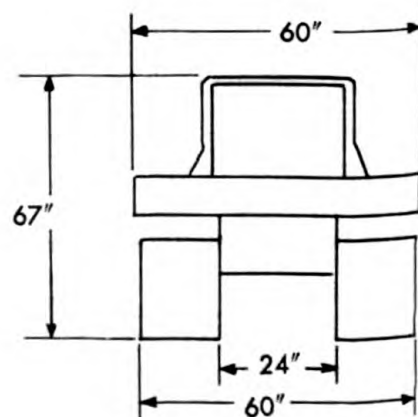
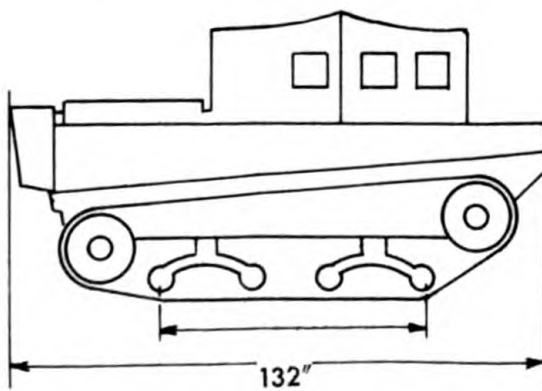
Ammunition: 375 rounds, cal. .45; 300 rounds, cal. .30 (for carbines); 300 rounds, cal. .30 (automatic rifle).



RA PD 54022

Classification:

Purpose: To transport personnel and materiel over snow, and for limited operation on the ground.



**SECTION IV—CARGO AND PERSONNEL CARRIERS
CARRIER, LIGHT CARGO, T15**

GENERAL DATA

Crew		2
Weight	Net	(lb) 3,390
	Payload	(lb) 1,260
	Gross	(lb) 4,650
Shipping dimensions	(cu ft)	(sq ft) 55
Track width		(in.) 18
Ground clearance		(in.) 12
Ground pressure		(lbs per sq in.) 2
Electrical system		(volts) 12
Capacities	Fuel, 75 octane gasoline	(gal) 25
	Cooling system	(qt) 10½
	Crankcase (refill)	(qt) 5
Brakes		Mechanical
Communication		Radio

PERFORMANCE

Maximum gradability		(percent) 100
Turning radius		(ft) 13½
Fording depth	(Floats at 44 inches)	(in.) 41
Maximum vertical obstacle vehicle will climb		(in.) 19
Angle of approach		(deg) 32
Angle of departure		(deg) 11
Fuel consumption, average conditions		(miles per gal) 5
Cruising range, average conditions		(miles) 125
Maximum allowable speed		(mph) 23.5
	1st 2nd 3rd 4th 5th	
Cruising speed	6.6 11.8 17.6 13.1 23.5	

ENGINE

Manufacturer	Studebaker	Model 6-170
Type	In-line, 4 cycle	Number of cylinders 6
Displacement		(cu in.) 169.6
Governed speed		Not governed
Brake horsepower		75
Ignition type		Battery

ADDITIONAL DATA

.....
.....

**STANDARD MILITARY MOTOR VEHICLES
CARRIER, UNIVERSAL, T16**

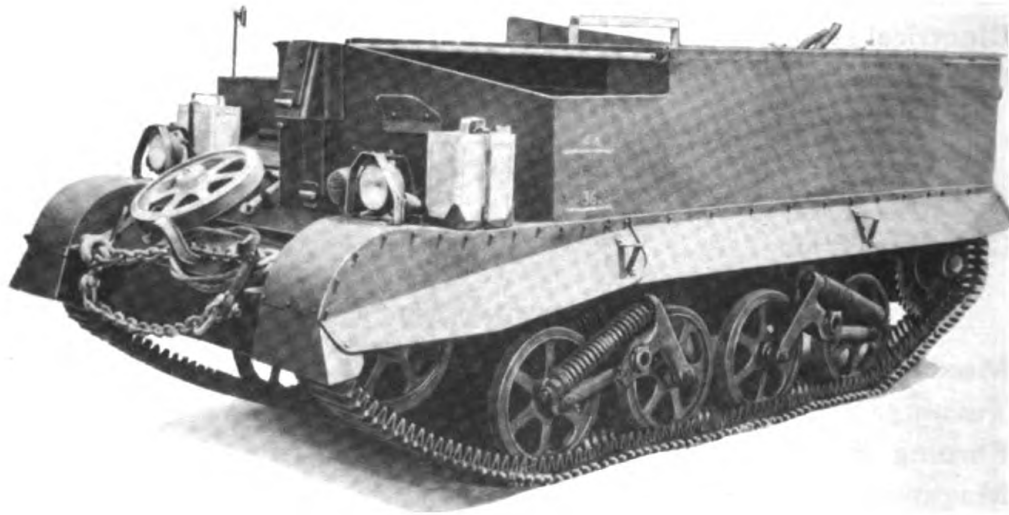
Technical Manual: TM 9-746.

Parts List: SNL G-166

Manufacturer: Ford Motor Co.

Armament: Supplied by British.

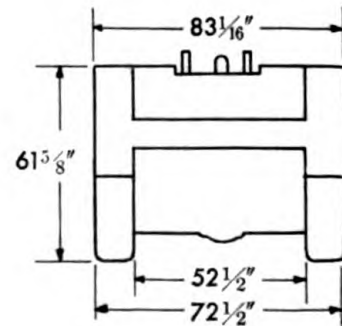
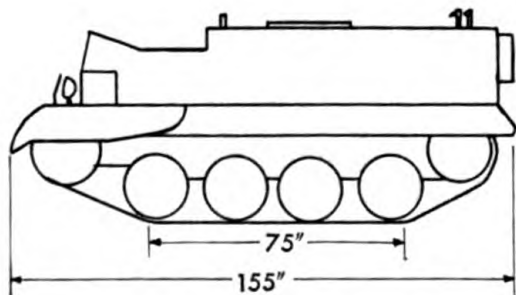
Ammunition: Supplied by British.



RA PD 308901

Classification: None (British only—Universal Bren Carrier)

Purpose: For light reconnaissance and cargo and personnel carrying.



**SECTION IV—CARGO AND PERSONNEL CARRIERS
CARRIER, UNIVERSAL, T16**

GENERAL DATA

Crew		4
Weight	Net	(lb) 7,700
	Payload	(lb) 1,800
	Gross	(lb) 9,500
Shipping dimensions	(cu ft)	(sq ft)
Track width	(in.)	10
Ground clearance	(in.)	10½
Ground pressure	(lbs per sq in.)	6.4
Electrical system	(volts)	12
Capacities	Fuel, 72 octane gasoline	(gal) 23.8
	Cooling system	(qt) 26
	Crankcase (refill)	(qt) 6
Brakes	Mechanical	
Communication	Supplied by British	

PERFORMANCE

Maximum gradability	(percent)	60
Turning radius	(ft)	16
Fording depth	(in.)	44
Maximum width of ditch vehicle will cross	(in.)	36
Maximum vertical obstacle vehicle will climb	(in.)	18
Fuel consumption, average conditions	(miles per gal)	4
Cruising range, average conditions	(miles)	95
Maximum allowable speed	(mph)	30
	1st 2nd 3rd 4th	
Cruising range	4.7 9.8 17.8 30	

ENGINE

Manufacturer	Ford	Model GAU370
Type	V-8, 4 cycle	Number of cylinders 8
Displacement	(cu in.)	239
Governed speed	(rpm)	3,600
Brake horsepower		100
Ignition type	Battery	

ADDITIONAL DATA

.....
.....
.....

STANDARD MILITARY MOTOR VEHICLES
CARRIAGE, MOTOR, MULTIPLE GUN, M14

Technical Manual: TM 9-707, TM 9-1707A. Parts List: SNL G-147

Manufacturer: International Harvester Co.

Armament: Two Guns, machine, cal. .50, HB, M2, turret type; one Gun, submachine, cal. .45, M1928A1; one Rifle, cal. .30, M1903, with Launcher, grenade; three Carbines, cal. .30, M1.

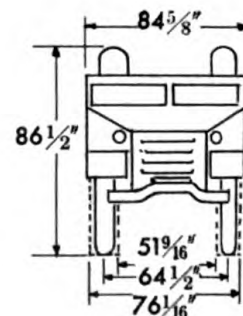
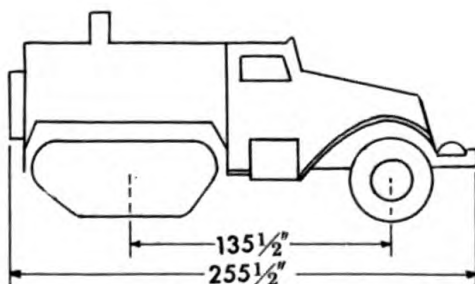
Ammunition: 5,000 rounds, cal. .50; 480 rounds, cal. .45; 36 grenades.



RA PD 66387

Classification: Substitute standard

Purpose: To provide mobility for antiaircraft guns.



**SECTION V—SELF-PROPELLED ARTILLERY
CARRIAGE, MOTOR, MULTIPLE GUN, M14**

GENERAL DATA

Crew		5
Weight	Net	(lb) 16,800
	Payload	(lb) 3,000
	Gross	(lb) 19,800
Shipping dimensions	(cu ft) 1,069	(sq ft) 145
Tires—Combat	Ply . . . 10	Size . . . 9.00 x 20
Tread, center to center (in.)	Front—64 $\frac{1}{2}$	Rear—63 $\frac{13}{16}$
Track width		(in.) 12 $\frac{1}{4}$
Ground clearance		(in.) 18 $\frac{1}{4}$
Ground pressure, tires		(lbs per sq in.) 33.5
Electrical system		(volts) 12
Capacities	Fuel, 80 octane gasoline	(gal) 60
	Cooling system	(qt) 31
	Crankcase (refill)	(qt) 8
Brakes	Hydraulic (Hydrovac)	
Communication	Radio	

PERFORMANCE

Maximum gradability	(percent)	60
Turning radius (ft)	Right 28	Left 30
Maximum vertical obstacle vehicle will climb	(in.)	12
Fording depth	(in.)	32
Angle of approach	(deg)	36
Angle of departure	(deg)	32
Fuel consumption, average conditions	(miles per gal)	3.3
Cruising range, average conditions	(miles)	200
Maximum allowable speed	(mph)	42
		1st 2nd 3rd 4th
Cruising speed	8.5 16 24 42	

ENGINE

Manufacturer	IHC	Model Red-450-B
Type	In-line, 4 cycle	Number of cylinders 6
Displacement		(cu in.) 451
Governed speed		(rpm) 2,600
Brake horsepower		141
Ignition type	Battery	

ADDITIONAL DATA

Winch capacity	(lb)	10,000
Basic chassis	Carrier, personnel, half-track, M5	

TM 9-2800

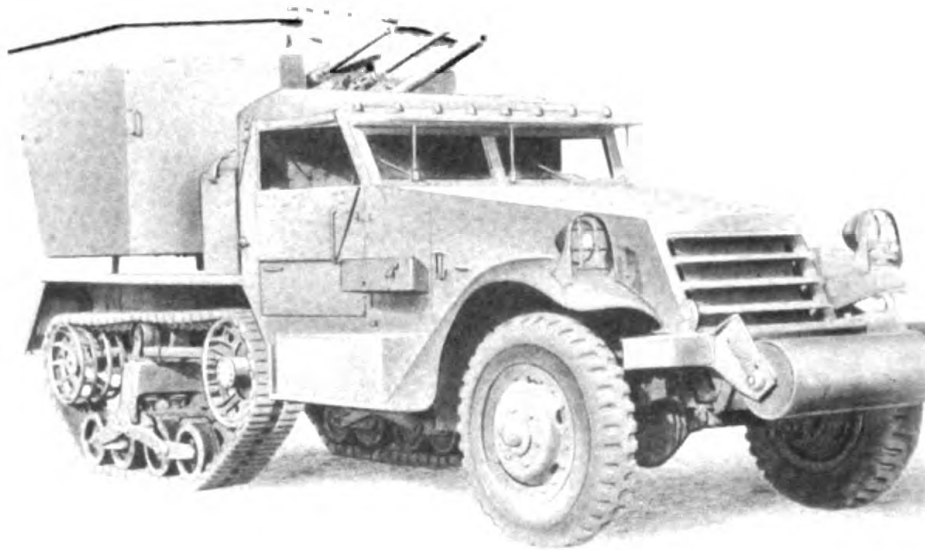
**STANDARD MILITARY MOTOR VEHICLES
CARRIAGE, MOTOR, MULTIPLE GUN, M15**

Technical Manuals: TM 9-708, TM 9-1710, Parts List: SNL G-102
TM 9-1710C, TM 9-1711.

Manufacturer: The Autocar Co.

Armament: One Gun, automatic, 37-mm, M1A2; two Guns, machine,
cal. .50, HB, M2.

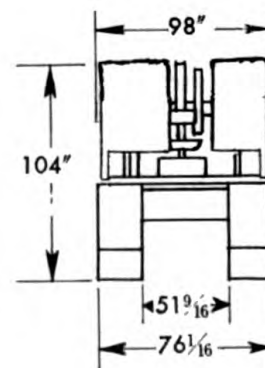
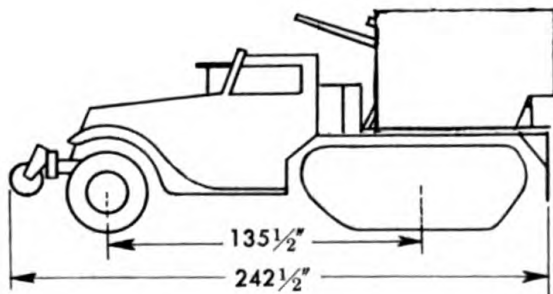
Ammunition: 240 rounds, 37-mm shell, HE M54 or AP M59; 3,400
rounds, cal. .50.



RA PD 308959

Classification: Limited standard

Purpose: To provide mobility for antiaircraft guns.



**SECTION V—SELF-PROPELLED ARTILLERY
CARRIAGE, MOTOR, MULTIPLE GUN, M15**

GENERAL DATA

Crew		7
Weight	Gross	20,000
Shipping dimensions	(cu ft) 1116, boxed 1338 (sq ft) 131	
Tires—Combat	Ply . . . 12 Size . . . 8.25 x 20	
Tread, center to center (in.)	Front—64 $\frac{1}{2}$ Rear—63 $\frac{13}{16}$	
Track width	(in.)	12 $\frac{1}{4}$
Ground clearance	(in.)	17 $\frac{1}{8}$
Ground pressure, tires	(lbs per sq in.)	33.5
Electrical system	(volts)	12
Capacities	Fuel, 80 octane gasoline (gal)	60
	Cooling system	26
	Crankcase (refill)	12
Brakes	Hydraulic (Hydrovac)	
Communication	Radio	

PERFORMANCE

Maximum gradability	(percent)	60
Turning radius	(ft)	30
Fording depth	(in.)	32
Maximum vertical obstacle vehicle will climb	(in.)	12
Angle of approach	(deg)	37
Angle of departure	(deg)	45
Fuel consumption, average conditions	(miles per gal)	3.3
Cruising range, average conditions	(miles)	200
Maximum allowable speed	(mph)	45
	1st 2nd 3rd 4th	
Cruising speed	9 17 26 45	

ENGINE

Manufacturer	White	Model 160AX
Type	In-line, 4 cycle	Number of cylinders
Displacement		6
Governed speed		386
Brake horsepower		148
Ignition type		Battery

ADDITIONAL DATA

Basic chassis

Carrier, personnel, half-track, M3

.....

.....

TM 9-2800

STANDARD MILITARY MOTOR VEHICLES
CARRIAGE, MOTOR, MULTIPLE GUN, M15A1

Technical Manuals: TM 9-710A, TM 9-1710, Parts List: SNL G-102
TM 9-1710C, TM 9-1711.

Manufacturer: The Autocar Co.

Armament: One Gun, 37-mm, M1A2; two Guns, machine, cal. .50, HB, M2; one Rifle, cal. .30, M1903 with Launcher, grenade; one Gun, submachine, cal. .45; five Carbines, cal. .30, M1.

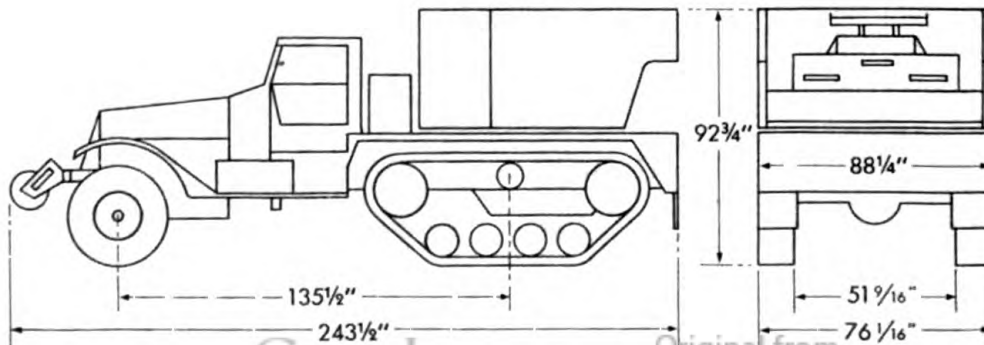
Ammunition: 1,200 rounds, cal. .50; 200 rounds, 37-mm; 540 rounds, cal. .45; 10 rifle grenades M9A1; 12 hand grenades.



RA PD 309117

Classification: Standard

Purpose: To provide a highly mobile antiaircraft weapon.



**SECTION V—SELF-PROPELLED ARTILLERY
CARRIAGE, MOTOR, MULTIPLE GUN, M15A1**

GENERAL DATA

Crew		7
Weight	Net	(lb) 17,600
	Payload	(lb) 2,500
	Gross	(lb) 20,100
Shipping dimensions	(cu ft) 1116	(sq ft) 131
Tires—Combat	Ply ... 12	Size ... 8.25 x 20
Tread, center to center (in.)	Front 64 ¹ / ₂	Rear 63 ¹³ / ₁₆
Ground clearance		(in.) 17 ¹ / ₈
Track width		12 ¹ / ₄
Ground pressure, tires		(lbs per sq in.) 33.5
Electrical system		(volts) 12
Capacities	Fuel, 80 octane gasoline	(gal) 60
	Cooling system	(qt) 26
	Crankcase (refill)	(qt) 12
Brakes	Hydraulic (Hydrovac)	
Communication	Radio	

PERFORMANCE

Maximum gradability	(percent)	60
Turning radius	(ft)	30
Fording depth	(in.)	32
Maximum vertical obstacle vehicle will climb	(in.)	12
Angle of approach	(deg)	
Angle of departure	(deg)	
Fuel consumption, average conditions	(miles per gal)	
Cruising range, average conditions	(miles)	
Maximum allowable speed	(mph)	45
		1st 2nd 3rd 4th
Cruising speed		9 17 26 45

ENGINE

Manufacturer	White	Model 160 AX	
Type	In line, 4 cycle	Number of cylinders	6
Displacement		(cu in.)	386
Governed speed		Not governed	
Brake horsepower			148
Ignition type		Battery	

ADDITIONAL DATA

Basic chassis

Carrier, personnel, half-track, M3

.....

.....

STANDARD MILITARY MOTOR VEHICLES
CARRIAGE, MOTOR, MULTIPLE GUN, M16

Technical Manuals: TM 9-710A, TM 9-1710, Parts List: SNL G-102
TM 9-1710C, TM 9-1711.

Manufacturer: White Motor Co.

Armament: Four Guns, machine, cal. .50, HB, M2, turret type; one Gun, submachine, cal. .45, M1928A1; one Rifle, cal. .30, M1903, w/Launcher, grenade; three Carbines, cal. .30, M1.

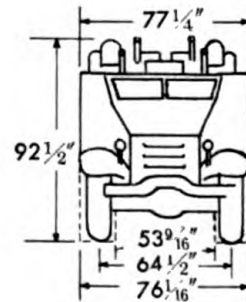
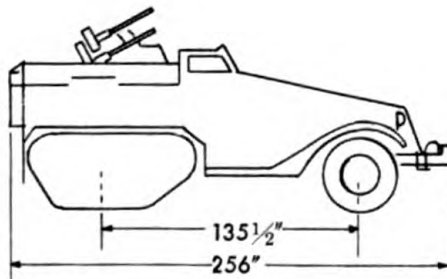
Ammunition: 5,000 rounds, cal. .50, in belts; 480 rounds, cal. .45, in clips; 26 grenades.



RA PD 308921

Classification: Standard

Purpose: To provide mobility for machine guns.



SECTION V—SELF-PROPELLED ARTILLERY
CARRIAGE, MOTOR, MULTIPLE GUN, M16

GENERAL DATA

Crew		5
Weight	Gross	(lb) 19,800
	Boxed for export	(lb) 21,532
Shipping dimensions	(cu ft) boxed 1188	(sq ft)
Tires—Combat	Ply . . . 12	Size . . . 8.25 x 20
Tread, center to center (in.) ..	Front 64 $\frac{1}{2}$	Rear 63 $\frac{13}{16}$
Track width		(in.) 12 $\frac{1}{4}$
Ground clearance		(in.) 17 $\frac{1}{8}$
Ground pressure, tires		(lbs per sq in.) 30
Electrical system		(volts) 12
Capacities	Fuel, 80 octane gasoline	(gal) 60
	Cooling system	(qt) 26
	Crankcase (refill)	(qt) 8
Brakes	Hydraulic (Hydrovac)	
Communication	Radio	

PERFORMANCE

Maximum gradability	(percent)	60
Turning radius	(ft)	30
Maximum vertical obstacle vehicle will climb	(in.)	12
Fording depth	(in.)	32
Angle of approach	(deg)	33
Angle of departure	(deg)	45
Fuel consumption, average conditions	(miles per gal)	3.3
Cruising range, average conditions	(miles)	200
Maximum allowable speed	(mph)	45
	1st 2nd 3rd 4th	
Cruising speed	9 17 26 45	

ENGINE

Manufacturer	White	Model 160AX
Type	In-line, 4 cycle	Number of cylinders 6
Displacement		(cu in.) 386
Maximum engine speed (not governed)		(rpm) 3200
Brake horsepower		148
Ignition type	Battery	

ADDITIONAL DATA

Winch capacity	(lb)	10,000
Basic chassis	Carrier, personnel, half-track, M3	



**STANDARD MILITARY MOTOR VEHICLES
CARRIAGE, MOTOR, MULTIPLE GUN, M17**

Technical Manual: TM 9-707, TM 9-1707A. Parts List: SNL G-147

Manufacturer: International Harvester Co.

Armament: Four Guns, machine, cal. .50, HB, M2, turret type; one Gun, submachine, cal. .45, M1928A1; one Rifle, cal. .30, M1903, w/Launcher, grenade; three Carbines, cal. .30, M1.

Ammunition: 5,000 rounds, cal. .50 in belts; 480 rounds, cal. .45 in clips; 36 grenades.

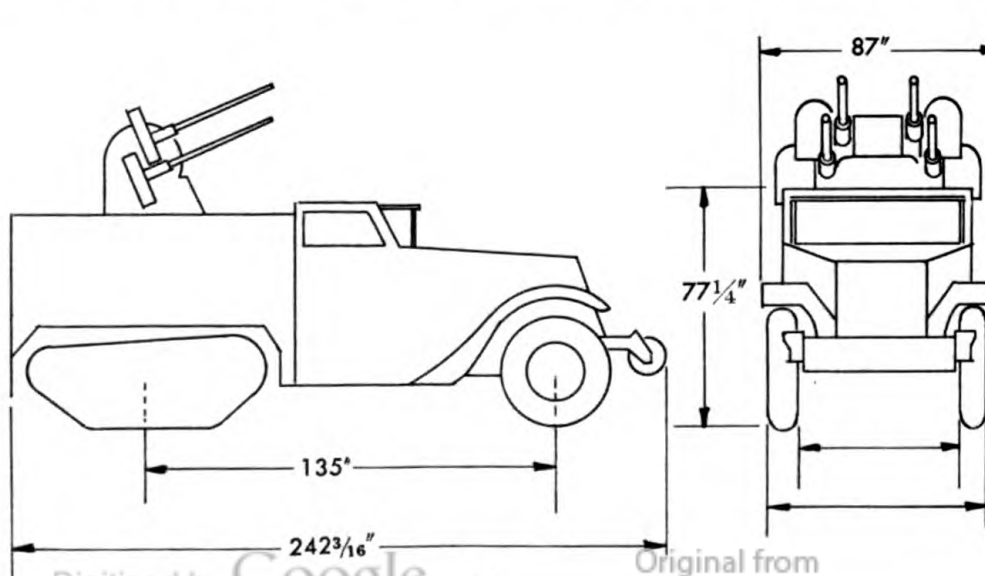


RA PD 308921

Vehicle illustrated above: M16. M17 is similar in appearance. No photo available at date of publication.

Classification: Substitute standard

Purpose: To provide mobility for antiaircraft machine guns.



**SECTION V—SELF-PROPELLED ARTILLERY
CARRIAGE, MULTIPLE GUN, M17**

GENERAL DATA

Crew.....		5
Weight.....	Gross (approx)..... (lb)	19,700
Shipping dimensions.....	(cu ft)..... (sq ft)	
Tires—Combat.....	Ply... 12..... Size... 9.00 x 20	
Tread, center to center (in.)	Front 64½..... Rear 63 ¹³ / ₁₆	
Track width.....	(in.)	12¼
Ground clearance.....	(in.)	17 ¹ / ₈
Ground pressure, tires.....	(lbs per sq in.)	33.5
Electrical system.....	(volts)	12
Capacities.....	Fuel, 80 octane gasoline..... (gal)	60
	Cooling system..... (qt)	31
	Crankcase (refill)..... (qt)	8
Brakes.....	Hydraulic (Hydrovac)	
Communication.....	Radio	

PERFORMANCE

Maximum gradability.....	(percent)	60
Turning radius.....	(ft)	30
Maximum vertical obstacle vehicle will climb.....	(in.)	12
Fording depth.....	(in.)	32
Angle of approach.....	(deg)	36
Angle of departure.....	(deg)	45
Fuel consumption, average conditions.....	(miles per gal)	3.3
Cruising range, average conditions.....	(miles)	200
Maximum allowable speed.....	(mph)	42
	1st 2nd 3rd 4th	
Cruising speed.....	8.5 16 24 42	

ENGINE

Manufacturer.....	IHC.....	Model Red-450-B	
Type.....	In-line, 4 cycle.....	Number of cylinders	6
Displacement.....	(cu in.)		450
Governed speed.....	(rpm)		2,650
Brake horsepower.....			141
Ignition type.....	Battery		

ADDITIONAL DATA

Winch capacity.....	(lb)	10,000
Basic chassis.....	Carrier, personnel, half-track, M5	

TM 9-2800

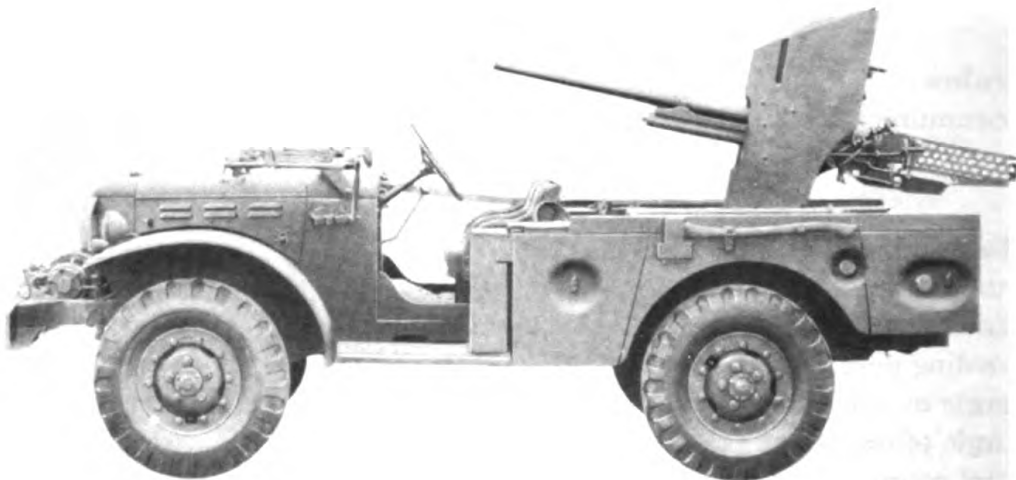
**STANDARD MILITARY MOTOR VEHICLES
CARRIAGE, MOTOR, 37-MM GUN, M6
(¾-TON, 4 x 4)**

Technical Manual: TM 9-750A, TM 9-1808A. Parts List: SNL G-121

Manufacturer: Dodge Bros. Corp. (Div. of Chrysler Corp.)
Model WC-55.

Armament: One Gun, 37-mm, M3; four Rifles, cal. .30, M1903, with
Launcher, grenade.

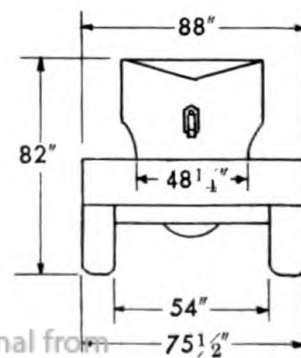
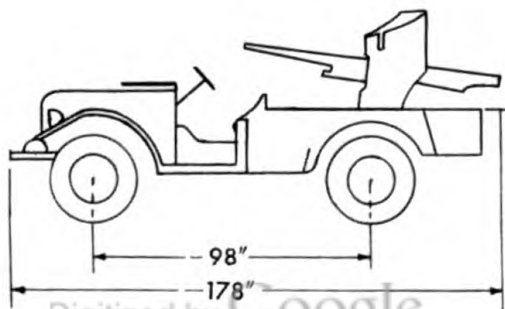
Ammunition: 80 rounds 37-mm; 18 grenades.



RA PD 66373

Classification: Standard

Purpose: To provide mobility for 37-mm antitank gun.



Original from
UNIVERSITY OF CALIFORNIA

SECTION V—SELF-PROPELLED ARTILLERY
CARRIAGE, MOTOR, 37-MM GUN, M6
($\frac{3}{4}$ -TON, 4 x 4)

GENERAL DATA

Crew		4
Weight	Net	(lb) 5,850
	Payload	(lb) 1,200
	Gross	(lb) 7,050
	Boxed for export	(lb) 8,900
Shipping dimensions	(cu ft) 708, boxed 605	(sq ft) 102
Tires—Combat	Ply . . . 8	Size . . . 9.00 x 16
Tread, center to center		(in.) 64 $\frac{1}{2}$
Ground clearance		(in.) 10 $\frac{5}{8}$
Ground pressure, tires		(lbs per sq in.) 40
Electrical system		(volts) 6
Capacities	Fuel, 70 octane gasoline	(gal) 30
	Cooling system	(qt) 17
	Crankcase (refill)	(qt) 5
Brakes		Hydraulic
Communication		Radio

PERFORMANCE

Maximum gradability	(percent)	60
Turning radius	(ft)	22
Fording depth	(in.)	35
Maximum vertical obstacle vehicle will climb	(in.)	12
Angle of approach	(deg)	36 $\frac{1}{2}$
Angle of departure	(deg)	31
Fuel consumption, average conditions	(miles per gal)	8.0
Cruising range, average conditions	(miles)	240
Maximum allowable speed	(mph)	54

ENGINE

Manufacturer	Dodge	Model T-214
Type	In-line, 4 cycle	Number of cylinders 6
Displacement		(cu in.) 230.2
Governed speed		(rpm) 3,200
Brake horsepower		94
Ignition type		Battery

ADDITIONAL DATA

Winch capacity	(lb)	5,000
Basic chassis	Weapons carrier, $\frac{3}{4}$ -ton, 4 x 4	

TM 9-2800

**STANDARD MILITARY MOTOR VEHICLES
CARRIAGE, MOTOR, 57-MM GUN, T48**

Technical Manuals: TM 9-710A, TM 9-1710, Parts List: SNL G-102
TM 9-1710C, TM 9-1711.

Manufacturer: Diamond T Motor Car Co.

Armament: One Gun, 57-mm, M1; five Rifles, cal. .30, w/Launcher,
grenade.

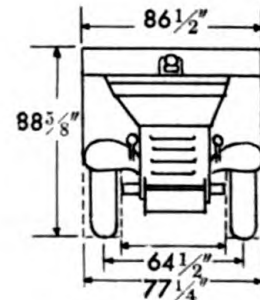
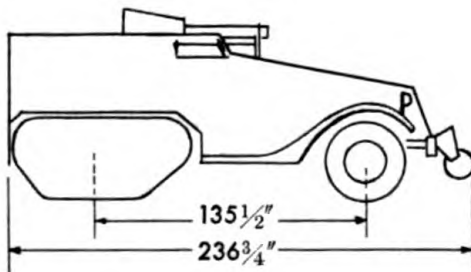
Ammunition: 99 rounds, 57-mm; 22 grenades.



RA PD 308919

Classification: None (British only)

Purpose: To provide mobility for antitank weapon and protection for crew.



SECTION V—SELF-PROPELLED ARTILLERY
CARRIAGE, MOTOR, 57-MM GUN, T48

GENERAL DATA

Crew	5
Weight	Gross (lb)	19,800
	Boxed for export (lb)	22,300
Shipping dimensions	(cu ft) 1051, boxed 1226 (sq ft)	
Tires—Combat	Ply . . . 12 Size . . . 8.25 x 20	
Tread, center to center (in.)	Front 64½ Rear 63 ¹³ / ₁₆	
Track width (in.)	12 ¹ / ₄
Ground clearance (in.)	17 ¹ / ₈
Ground pressure, tires (lbs per sq in.)	33
Electrical system (volts)	12
Capacities	Fuel, 80 octane gasoline (gal)	60
	Cooling system (qt)	26
	Crankcase (refill) (qt)	8
Brakes Hydraulic (Hydrovac)	
Communication Radio	

PERFORMANCE

Maximum gradability (percent)	60
Turning radius (ft)	30
Fording depth (in.)	32
Maximum vertical obstacle vehicle will climb (in.)	12
Angle of approach (deg)	33
Angle of departure (deg)	45
Fuel consumption, average conditions (miles per gal)	3.3
Cruising range, average conditions (miles)	200
Maximum allowable speed (mph)	45
	1st 2nd 3rd 4th	
Cruising speed	.. 9 17 26 45	

ENGINE

Manufacturer White Model 160 AX
Type In-line, 4 cycle Number of cylinders 6
Displacement (cu in.)	386
Maximum engine speed (not governed) (rpm)	3,200
Brake horsepower	148
Ignition type Battery	

ADDITIONAL DATA

Winch capacity (lb)	10,000
Basic chassis Carrier, personnel, half-track, M3	

STANDARD MILITARY MOTOR VEHICLES
CARRIAGE, MOTOR, 75-MM GUN, M3

Technical Manuals: TM 9-710A, TM 9-1710, Parts List: SNL G-102
TM 9-1710C, TM 9-1711.

Manufacturer: The Autocar Co.

Armament: One Gun, 75-mm, M1897A4; one Rifle, cal. .30, M1903,
w/ Launcher, grenade; four Carbines, cal. .30, M1.

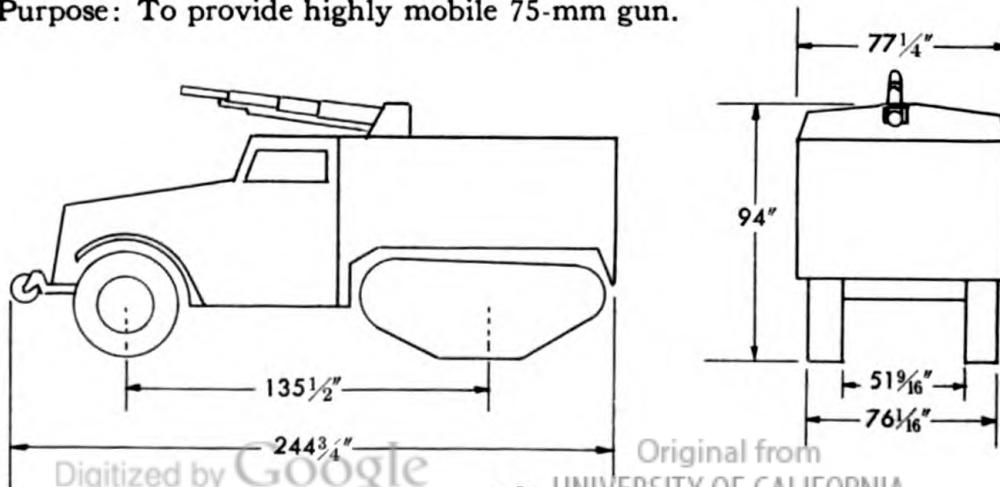
Ammunition: 59 rounds, 75-mm, HE and AP; 22 grenades.



RA PD 66369

Classification: Standard

Purpose: To provide highly mobile 75-mm gun.



SECTION V—SELF-PROPELLED ARTILLERY
CARRIAGE, MOTOR, 75-MM GUN, M3A1

GENERAL DATA

Crew		5
Weight	Net	(lb) 17,450
	Payload	(lb) 2,550
	Gross	(lb) 20,000
Shipping dimensions	(cu ft) 959	(sq ft) 127
Tires—Combat	Ply . . . 12	Size . . . 8.25 x 20
Tread, center to center, front		(in.) 64 ¹ / ₂
Track width		(in.) 12 ¹ / ₄
Ground clearance		(in.) 17 ¹ / ₈
Ground pressure, tires		(lbs per sq in.) 33.5
Electrical system		(volts) 21
Capacities	Fuel, 80 octane gasoline	(gal) 60
	Cooling system	(qt) 26
	Crankcase (refill)	(qt) 12
Brakes	Hydraulic (Hydrovac)	
Communication	Radio	

PERFORMANCE

Maximum gradability	(percent)	60
Turning radius	(ft)	30
Fording depth	(in.)	32
Maximum vertical obstacle vehicle will climb	(in.)	12
Angle of approach	(deg)	37
Angle of departure	(deg)	45
Fuel consumption, average conditions	(miles per gal)	3.3
Cruising range, average conditions	(miles)	200
Maximum allowable speed	(mph)	45
	1st 2nd 3rd 4th	
Cruising speed ..	9 17 26 45	

ENGINE

Manufacturer	White	Model 160 AX
Type	In-line, 4 cycle	Number of cylinders 6
Displacement		(cu in.) 386
Governed speed	Not governed	
Brake horsepower		148
Ignition type	Battery	

ADDITIONAL DATA

.....

STANDARD MILITARY MOTOR VEHICLES
CARRIAGE, MOTOR, 75-MM HOWITZER, M8

Technical Manuals: TM 9-732B, TM 9-1727B, Parts List: SNL G-127
 TM 9-1727C, TM 9-1727D, TM 9-1727E,
 TM 9-1727F, TM 9-1727G, TM 9-1732A.

Manufacturer: Cadillac Motor Car Div. (General Motors Corp.)

Armament: One Howitzer, 75-mm, M2 or M3; one Gun, machine, cal. .50, HB, M2 (flexible), one Gun, submachine, cal. .45, M1928A1; three Carbines, cal. .30.

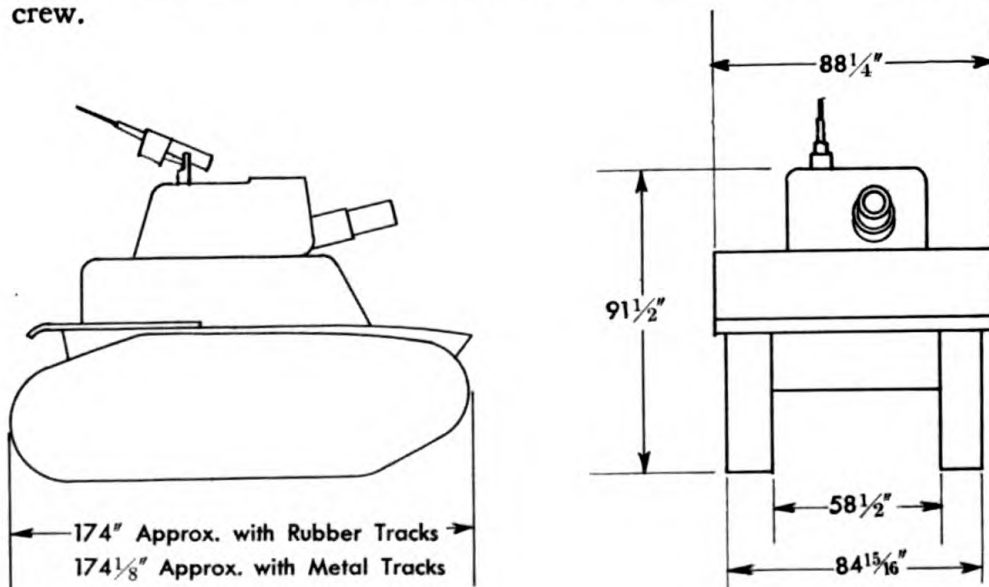
Ammunition: 46 rounds, 75-mm; 400 rounds, cal. .50; 600 rounds, cal. .45; 735 rounds, cal. .30; 6 grenades, 2 fragmentation, 2 smoke, 2 thermite-incendiary.



RA PD 308911

Classification: Standard

Purpose: To provide mobility for 75-mm howitzer and protection for crew.



SECTION V—SELF-PROPELLED ARTILLERY
CARRIAGE, MOTOR, 75-MM HOWITZER, M8

GENERAL DATA

Crew		4
Weight	Gross	(lb) 34,580
Shipping dimensions	(cu ft) 954	(sq ft) 109
Track width		(in.) 11 ⁵ / ₈
Ground clearance		(in.) 15 ¹ / ₈
Ground pressure		(lbs per sq in.) 11.35
Electrical system		(volts) 12
Capacities	Fuel, 80 octane gasoline	(gal) 89
	Cooling system, each	(qt) 35
	Crankcase (refill) each	(qt) 8
Brakes		Mechanical
Communication		Radio

PERFORMANCE

Maximum gradability	(percent)	60
Turning radius	(ft)	21
Fording depth	(in.)	36
Maximum width of ditch vehicle will cross	(in.)	65
Maximum vertical obstacle vehicle will climb	(in.)	24
Fuel consumption, average conditions	(miles per gal)	1.5
Cruising range, average conditions	(miles)	130
Maximum allowable speed	(mph)	35

ENGINES (TWO)

Manufacturer	Cadillac	Model—Series 42
Type	V-8, 4 cycle	Number of cylinders 8
Governed speed		Not governed
Brake horsepower, each		125
Ignition type		Battery

ADDITIONAL DATA

Basic chassis	Tank, light, M5
.....	
.....	
.....	
.....	

STANDARD MILITARY MOTOR VEHICLES CARRIAGE, MOTOR, 75-MM HOWITZER, T30

Technical Manuals: TM 9-710A, TM 9-1710, Parts List: SNL G-102
TM 9-1710C, TM 9-1711.

Manufacturer: White Motor Co.

Armament: One Howitzer, 75-mm, M1A1; one Gun, machine, cal. .50, HB, M2 (flexible); one Gun, submachine, cal. .45, M1928A1; four Carbines, cal. .30, M1.

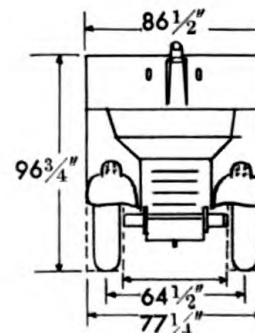
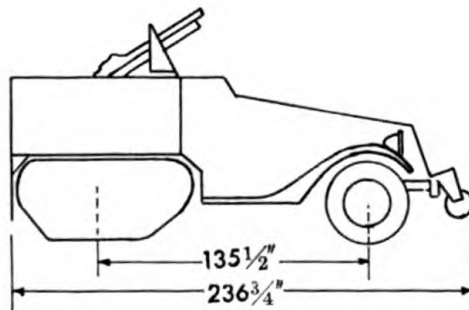
Ammunition: 60 rounds, 75-mm howitzer; 300 rounds, cal. .50; 540 rounds, cal. .45.



RA PD 308920

Classification: None

Purpose: To provide mobility for 75-mm howitzer.



**SECTION V—SELF-PROPELLED ARTILLERY
CARRIAGE, MOTOR, 75-MM HOWITZER, T30**

GENERAL DATA

Crew		5
Weight	Gross	(lb) 19,500
	Boxed for export	(lb) 21,836
Shipping dimensions	(cu ft) 1049, boxed 1197. (sq ft)	
Tires—Combat	Ply . . . 12	Size . . . 8.25 x 20
Tread, center to center (in.)	Front 64 $\frac{1}{2}$	Rear 63 $\frac{13}{16}$
Track width		(in.) 12 $\frac{1}{4}$
Ground clearance		(in.) 17 $\frac{1}{8}$
Ground pressure, tires		(lbs per sq in.) 33
Electrical system		(volts) 12
Capacities	Fuel, 80 octane gasoline	(gal) 60
	Cooling system	(qt) 26
	Crankcase (refill)	(qt) 8
Brakes	Hydraulic (Hydrovac)	
Communication	Radio	

PERFORMANCE

Maximum gradability	(percent)	60
Turning radius	(ft)	30
Fording depth	(in.)	32
Maximum vertical obstacle vehicle will climb	(in.)	12
Angle of approach	(deg)	37
Angle of departure	(deg)	45
Fuel consumption, average conditions	(miles per gal)	3.3
Cruising range, average conditions	(miles)	200
Maximum allowable speed	(mph)	45
	1st 2nd 3rd 4th	
Cruising speed ..	9 17 26 45	

ENGINE

Manufacturer	White	Model 160 AX
Type	In-line, 4 cycle	Number of cylinders 6
Displacement		(cu in.) 386
Maximum engine speed (not governed)		(rpm) 3200
Brake horsepower		148
Ignition type	Battery	

ADDITIONAL DATA

Basic chassis

Carrier, personnel, half-track, M3

TM 9-2800

**STANDARD MILITARY MOTOR VEHICLES
CARRIAGE, MOTOR, 76-MM GUN, T70**

Technical Manuals: TM 9-755.

Parts List: SNL G-163

Manufacturer: Buick Motor Div. (General Motors Corp.)

Armament: One Gun, 76-mm, M1A1; one Gun, machine, cal. .50, HB, M2, five Carbines, cal. .30, M1.

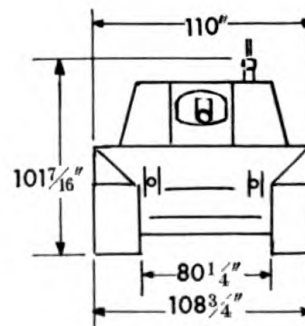
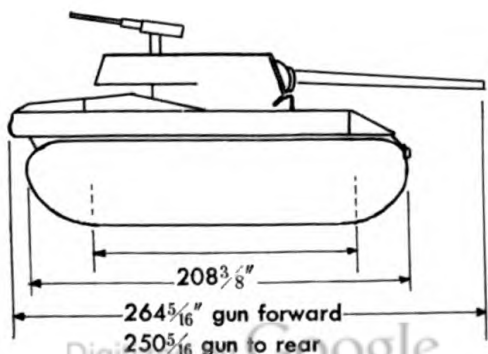
Ammunition: 45 rounds, 76-mm; 800 rounds, cal. .50; 450 rounds, cal. .30; 6 smoke grenades, WP M50; 2 fragmentation grenades; 4 smoke pots.



RA PD 308908

Classification:

Purpose: To provide mobility and crew protection for 76-mm gun.



**SECTION V—SELF-PROPELLED ARTILLERY
CARRIAGE, MOTOR, 76-MM GUN, T70**

GENERAL DATA

Crew		5
Weight	Gross	(lb) 37,500
Shipping dimensions	(cu ft)	(sq ft)
Track width	(in.)	14 ³ / ₈
Ground clearance	(in.)	14
Ground pressure	(lbs per sq in.)	11.9
Electrical system	(volts)	24
Capacities	Fuel, 80 octane, gasoline	(gal) 160
	Oil tank	(qt) 48
	Cooling system	Air-cooled
	Transmission	(qt) 44
	Differential	(qt) 20
Brakes		Mechanical
Communication	Radio	Interphone

PERFORMANCE

Maximum gradability	(percent)	60
Turning radius	(ft)	28
Fording depth	(in.)	48
Maximum width of ditch vehicle will cross	(in.)	
Maximum vertical obstacle vehicle will climb	(in.)	36
Fuel consumption, average conditions	(miles per gal)	1.0
Cruising range, average conditions	(miles)	150
Maximum allowable speed	(mph)	55
	1st 2nd 3rd	
Cruising speed	16 34 55	

ENGINE

Manufacturer	Continental	Model R975-C1	
Type	Radial, 4 cycle	Number of cylinders	9
Displacement	(cu in.)		973
Governed speed	(rpm)		2,400
Brake horsepower			400
Ignition type		Magneto	

ADDITIONAL DATA

.....

TM 9-2800

**STANDARD MILITARY MOTOR VEHICLES
CARRIAGE, MOTOR, 3-IN. GUN, M10**

Technical Manuals: TM 9-752A, TM 9-1750, **Parts List:** SNL G-130
TM 9-1750B, TM 9-1750G.

Manufacturer: Fisher Tank Division (General Motors Corp.)

Armament: One Gun, 3-in., M7; one Gun, machine, cal. .50, HB, M2
(flexible); five Carbines, cal. .30, M1.

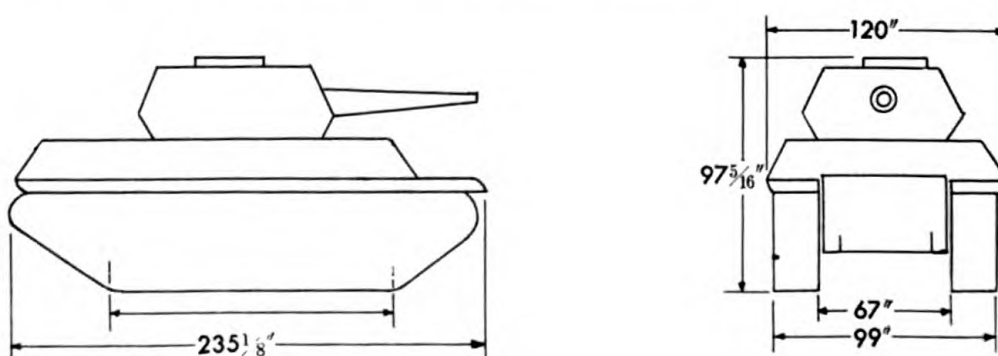
Ammunition: 54 rounds, 3-in.; 450 rounds, cal. .30; 1,000 rounds, cal. .50;
6 smoke grenades; 6 fragmentation grenades.



RA PD 66379

Classification: Standard

Purpose: To provide mobility and crew protection for antitank gun.



**SECTION V—SELF-PROPELLED ARTILLERY
CARRIAGE, MOTOR, 3-IN. GUN, M10**

GENERAL DATA

Crew		5
Weight	Gross	(lb) 66,000
Shipping dimensions	(cu ft) 1,638	(sq ft) 202
Track width		(in.) 16 ⁹ / ₁₆
Ground clearance		(in.) 18
Ground pressure	(lbs per sq in.)	13.5
Electrical system	(volts)	24
Capacities	Fuel, 50 cetane Diesel fuel oil (gal)	165
	Oil tank, each	(qt) 28
	Crankcase (refill)	(qt) 16
	Transmission and differential ..	(qt) 152
	Cooling system	(qt) 120
Brakes	Mechanical	
Communication	Radio	Interphone

PERFORMANCE

Maximum gradability	(percent)	50
Turning radius	(ft)	31
Fording depth	(in.)	36
Maximum width of ditch vehicle will cross	(in.)	72
Maximum vertical obstacle vehicle will climb	(in.)	24
Fuel consumption, average conditions	(miles per gal)	14
Cruising range, average conditions	(miles)	200
Maximum allowable speed	(mph)	29
	1st 2nd 3rd 4th 5th	
Cruising speed ..	2 6 10 16 25	

ENGINE

Manufacturer	GMC	Model 6046 Series 71
Type ..	Twin Six, 2 cycle Diesel	Number of cylinders 12
Displacement		(cu in.) 850
Governed speed		(rpm) 2,100
Brake horsepower		420
Ignition type	Compression	

ADDITIONAL DATA

Basic chassis

Tank, medium, M4A2

TM 9-2800

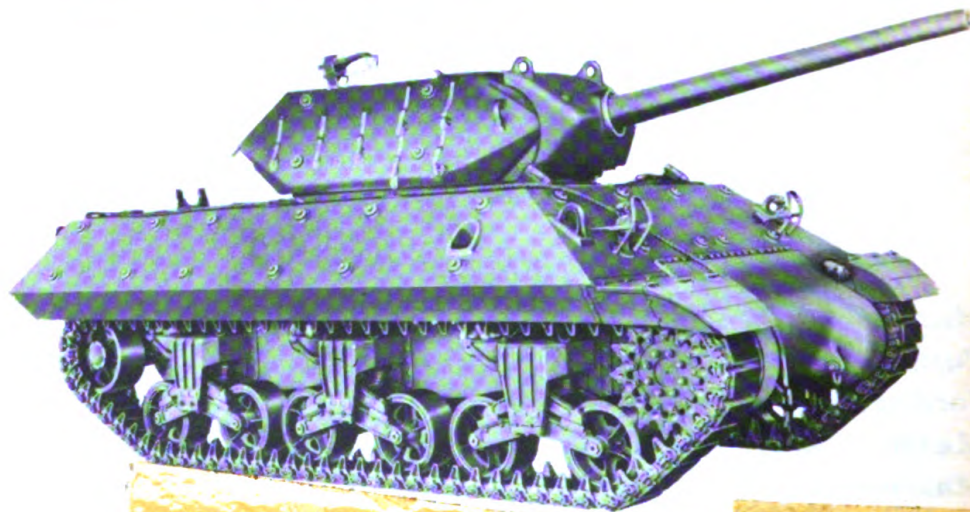
**STANDARD MILITARY MOTOR VEHICLES
CARRIAGE, MOTOR, 3-IN. GUN, M10A1**

Technical Manual: TM 9-731G, TM 9-1731B, Parts List: SNL G-170
TM 9-1731C, TM 9-1750, TM 9-1750B.

Manufacturer: Ford Motor Co.

Armament: One Gun, 3-in., M7; one Gun, machine, cal. .50, HB M2,
(flexible); five Carbines, cal. .30, M1.

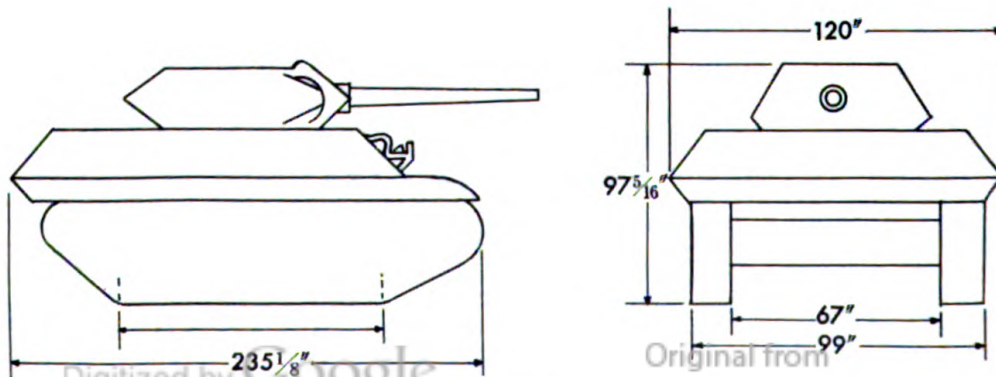
Ammunition: 54 rounds, 3-in.; 1,000 rounds, cal. .50; 450 rounds, cal.
.30; 6 smoke grenades; 6 fragmentation grenades.



RA PD 66381

Classification: Standard

Purpose: To provide mobility and crew protection for 3-in. antitank gun.



**SECTION V—SELF-PROPELLED ARTILLERY
CARRIAGE, MOTOR, 3-IN. GUN, M10A1**

GENERAL DATA

Crew		5
Weight	Gross	(lb) 63,000
Shipping dimensions	(cu ft) 1,638	(sq ft) 202
Track width		(in.) 16 ⁹ / ₁₆
Ground clearance		(in.) 18
Ground pressure		(lbs per sq in.) 13.1
Electrical system		(volts) 24
Capacities	Fuel, 80 octane gasoline	(gal) 192
	Crankcase (refill)	(qt) 32
	Transmission and differential ..	(qt) 152
	Cooling system	(qt) 56
Brakes		Mechanical
Communication	Radio	Interphone

PERFORMANCE

Maximum gradability		(percent) 50
Turning radius		(ft) 31
Fording depth		(in.) 36
Maximum width of ditch vehicle will cross		(in.) 72
Maximum vertical obstacle vehicle will climb		(in.) 24
Fuel consumption, average conditions		(miles per gal) .9
Cruising range, average conditions		(miles) 160
Maximum allowable speed		(mph) 28
	1st 2nd 3rd 4th 5th	
Cruising speed ..	2 6 10 16 24	

ENGINE

Manufacturer	Ford	Model GAA-V8
Type	V-8, 4 cycle	Number of cylinders 8
Displacement		(cu in.) 1,100
Governed speed		(rpm) 2,800
Brake horsepower		500
Ignition type		Magneto

ADDITIONAL DATA

Basic chassis

Tank, medium, M4A3

.....

.....

TM 9-2800

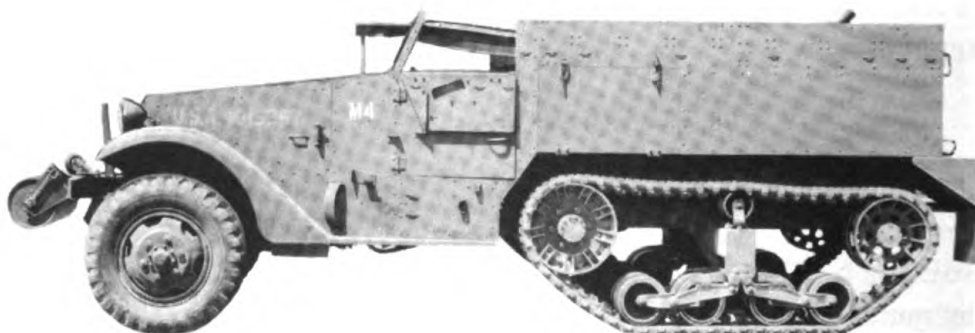
**STANDARD MILITARY MOTOR VEHICLES
CARRIER, 81-MM MORTAR, HALF-TRACK, M4**

Technical Manuals: TM 9-710A, TM 9-1710C, Parts List: SNL G-102
TM 9-1711.

Manufacturer: White Motor Co.

Armament: One Mortar, 81-mm, M1; one Gun, machine, cal. .50, BH
M2, (flexible); one Gun, machine, cal. .30, M1919A4 (flexible).

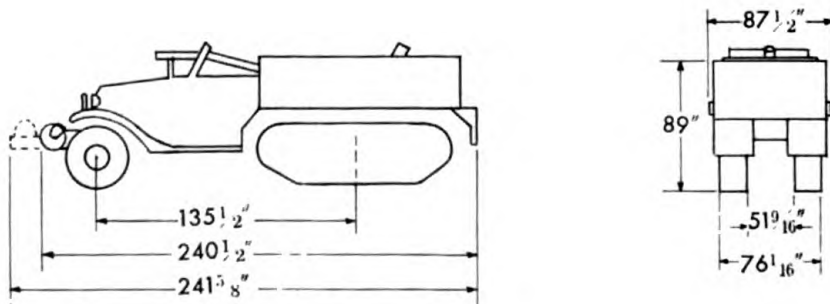
Ammunition: 108 rounds, 81-mm; 540 rounds, cal. .45; 1,600 rounds, cal.
.30; 20 grenades.



RA PD 66371

Classification: Substitute standard

Purpose: To provide mobility for 81-mm mortar and protection for crew.



SECTION V—SELF-PROPELLED ARTILLERY
CARRIER, 81-MM MORTAR, HALF-TRACK, M4

GENERAL DATA

Crew		6
Weight	Net	(lb) 14,700
	Payload	(lb) 2,700
	Gross	(lb) 17,400
Shipping dimensions	(cu ft) 1,060	(sq ft) 143
Tires—Combat	Ply. .12	Size. .8.25 x 20
Tread, center to center (in.)	Front 64 $\frac{1}{2}$	Rear 63 $\frac{13}{16}$
Track width		(in.) 12 $\frac{1}{4}$
Ground clearance		(in.) 17 $\frac{1}{8}$
Ground pressure, tires		(lbs per sq in.) 29.8
Electrical system		(volts) 12
Capacities	Fuel, 80 octane gasoline	(gal) 60
	Cooling system	(qt) 26
	Crankcase (refill)	(qt) 12
Brakes	Hydraulic (Hydrovac)	
Communication	Radio	

PERFORMANCE

Maximum gradability	(percent)	60
Turning radius	(ft)	30
Fording depth	(in.)	32
Maximum vertical obstacle vehicle will climb	(in.)	12
Angle of approach	(deg)	37
Angle of departure	(deg)	45
Fuel consumption, average conditions	(miles per gal)	3.3
Cruising range, average conditions	(miles)	200
Maximum allowable speed	(mph)	45
	1st 2nd 3rd 4th	
Cruising speed ..	9 17 26 45	

ENGINE

Manufacturer	White	Model 160 AX	
Type	In-line, 4 cycle	Number of cylinders	6
Displacement		(cu in.)	386
Governed speed		Not governed	
Brake horsepower			148
Ignition type		Battery	

ADDITIONAL DATA

Winch capacity	(lb)	10,000
Basic chassis	Car, half-track, M2	

STANDARD MILITARY MOTOR VEHICLES
CARRIER, 81-MM MORTAR, HALF-TRACK, M4A1

Technical Manuals: TM 9-710A, TM 9-1710, Parts List: SNL G-102
TM 9-1710C, TM 9-1711.

Manufacturer: White Motor Co.

Armament: One Mortar, 81-mm., M1; one Gun, submachine, cal. .45, M1928A1; one Gun, machine, cal. .30, M1919A4; one Launcher, rocket, M1.

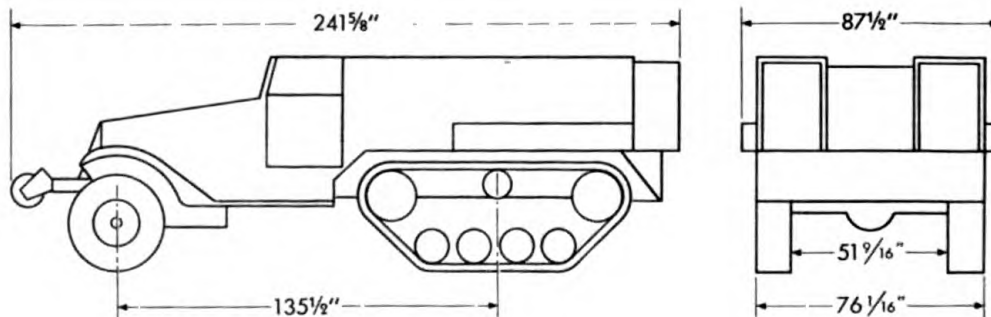
Ammunition: 96 rounds, 81-mm; 540 rounds, cal. .45 in clips; 2,000 rounds, cal. .30; 12 grenades; 10 rockets, HE, AT.



RA PD 309120

Classification: Standard

Purpose: To provide armored carrier for 81-mm mortar.



SECTION V—SELF-PROPELLED ARTILLERY

CARRIER, 81-MM MORTAR, HALF-TRACK, M4A1

GENERAL DATA

Crew		6
Weight	Gross	(lb) 18,000
	Boxed for export	(lb) 20,550
Shipping dimensions	(cu ft) 1126, boxed 1074 (sq ft)	
Tires—Combat	Ply. 12	Size. 8.25 x 20
Tread, center to center (in.) ..	Front 64½	Rear 63 ¹³ / ₁₆
Track width		(in.) 12 ¹ / ₄
Ground clearance		(in.) 17 ¹ / ₈
Ground pressure, tires		(lbs per sq in.) 33
Electrical system		(volts) 12
Capacities	Fuel, 80 octane gasoline	(gal) 60
	Cooling system	(qt) 26
	Crankcase (refill)	(qt) 8
Brakes	Hydraulic (Hydrovac)	
Communication	Radio	

PERFORMANCE

Maximum gradability		(percent) 60
Turning radius		(ft) 30
Maximum vertical obstacle vehicle will climb		(in.) 12
Fording depth		(in.) 32
Angle of approach		(deg) 33
Angle of departure		(deg) 45
Fuel consumption, average conditions		(miles per gal) 3.3
Cruising range, average conditions		(miles) 200
Maximum allowable speed		(mph) 45
		1st 2nd 3rd 4th
Cruising speed ..	9 17 26 45	

ENGINE

Manufacturer	White	Model 160 AX	
Type	In-line, 4 cycle	Number of cylinders	6
Displacement		(cu in.)	386
Maximum engine speed (not governed)		(rpm)	3,200
Brake horsepower			148
Ignition type	Battery		

ADDITIONAL DATA

Winch capacity		(lb) 10,000
Basic chassis	Car, half-track, M2	

STANDARD MILITARY MOTOR VEHICLES
CARRIER, MORTAR, 81-MM, HALF-TRACK, M21

Technical Manuals: TM 9-710A, TM 9-1710, Parts List: SNL G-102
 TM 9-1710C, TM 9-1711.

Manufacturer: White Motor Co.

Armament: One Mortar, 81-mm, M1; one Gun, machine, cal. .50.

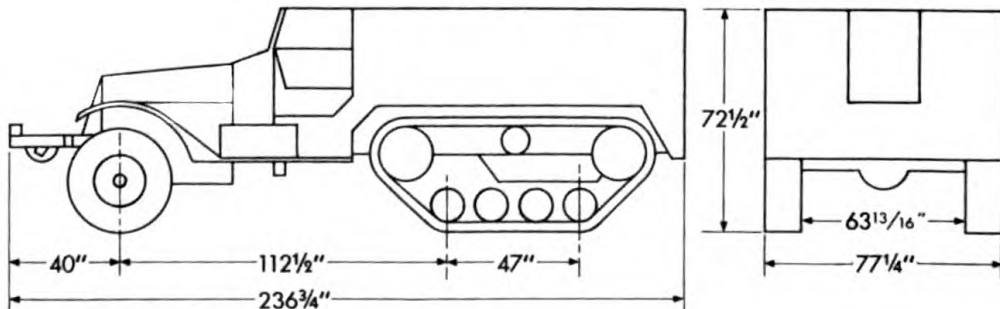
Ammunition: 96 rounds, 81-mm; 400 rounds, cal. .50; 12 hand grenades;
 12 mines.



RA PD 309115

Classification: Standard

Purpose: To provide a self-propelled mount for 81-mm mortar.



SECTION V—SELF-PROPELLED ARTILLERY

CARRIER, MORTAR, 81-MM, HALF-TRACK, M21

GENERAL DATA

Crew		6
Weight	Gross	18,500
Shipping dimensions	(cu ft) 1,116..... (sq ft) 131	
Tires—Combat	Ply.....Size...8.25 x 20	
Tread, center to center (in.) ..	Front 64 ¹ / ₂ Rear 63 ¹³ / ₁₆	
Ground clearance		17 ¹ / ₈
Ground pressure, tires	(lbs per sq in.)	29.4
Electrical system	(volts)	12
Capacities	Fuel, 80 octane gasoline..... (gal)	60
	Cooling system..... (qt)	26
	Crankcase (refill)..... (qt)	10
Brakes	Hydraulic (Hydrovac)	
Communication	Radio	

PERFORMANCE

Maximum gradability	(percent)	60
Turning radius	(ft)	30
Fording depth	(in.)	32
Maximum vertical obstacle vehicle will climb	(in.)	12
Angle of approach	(deg)	
Angle of departure	(deg)	
Fuel consumption, average conditions	(miles per gal)	
Cruising range, average conditions	(miles)	220
Maximum allowable speed	(mph)	45
	1st 2nd 3rd 4th	
	Cruising speed.. 9 17 26 45	

ENGINE

Manufacturer	White	Model 160 AX	
Type	In-line, 4 cycle	Number of cylinders	6
Displacement		(cu in.)	386
Governed speed		Not governed	
Brake horsepower			148
Ignition type		Battery	

ADDITIONAL DATA

Winch capacity	(lb)	10,000
Basic chassis	Carrier, personnel, half-track, M3	

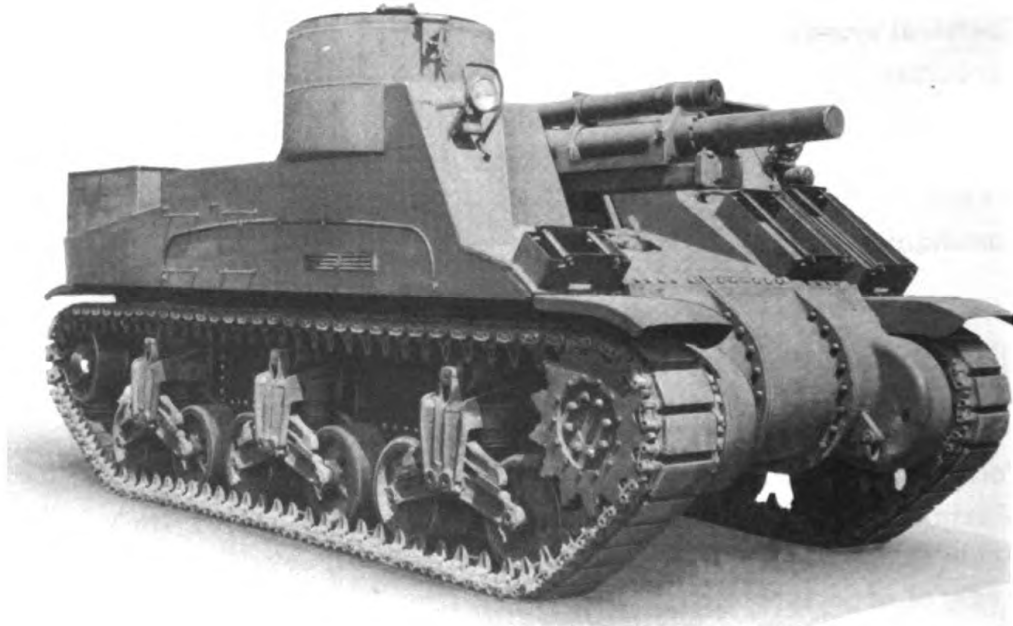
STANDARD MILITARY MOTOR VEHICLES
CARRIAGE, MOTOR, 105-MM HOWITZER, M7

Technical Manuals: TM 9-731E, TM 9-1750, Parts List: SNL G-128
 TM 9-1750B, TM 9-1750D, TM 9-1751.

Manufacturer: American Locomotive Co.

Armament: One Howitzer, 105-mm, M2A1; one Gun, machine, cal. .50,
 HB M2 (flexible); three Guns, submachine, cal. .45, M1928A1.

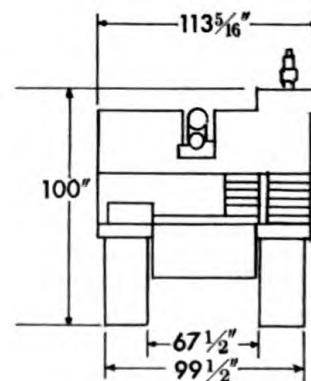
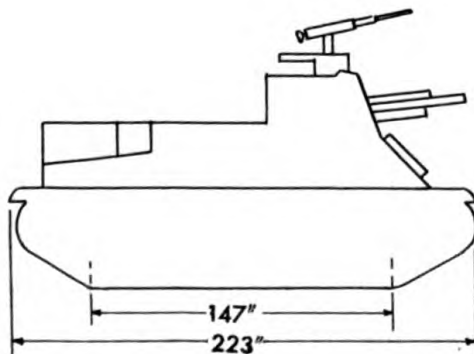
Ammunition: 69 rounds, 105-mm; 300 rounds, cal. .50; 1,620 rounds, cal.
 .45; 6 smoke grenades; 2 fragmentation grenades.



RA PD 308933

Classification: Standard

Purpose: To provide mobility for 105-mm howitzer.



SECTION V—SELF-PROPELLED ARTILLERY

CARRIAGE, MOTOR, 105-MM HOWITZER, M7

GENERAL DATA

Crew		7
Weight	Gross	(lb) 52,000
Shipping dimensions	(cu ft) 1462	(sq ft) 175
Track width		16 ⁹ / ₁₆
Ground clearance		17
Ground pressure	(lbs per sq in.)	10
Electrical system	(volts)	24
Capacities	Fuel, 80 octane gasoline	(gal) 175
	Oil tank	(qt) 36
	Transmission	(qt) 26
	Differential	(qt) 120
	Cooling system	Air-cooled
Brakes		Mechanical

PERFORMANCE

Maximum gradability	(percent)	60
Turning radius	(ft)	31
Fording depth	(in.)	42
Maximum width of ditch vehicle will cross	(in.)	72
Maximum vertical obstacle vehicle will climb	(in.)	24
Fuel consumption, average conditions	(miles per gal)	1.0
Cruising range, average conditions	(miles)	165
Maximum allowable speed	(mph)	25
	1st 2nd 3rd 4th 5th	
Cruising speed ..	2 4.8 8.3 13.2 20.3	

ENGINE

Manufacturer	Continental	Model R975C1	
Type	Radial, 4 cycle	Number of cylinders	9
Displacement		(cu in.)	973
Governed speed		(rpm)	2400
Brake horsepower			400
Ignition type		Magneto	

ADDITIONAL DATA

Basic chassis originally—Tank, medium, M3; later Tank, medium, M4.

STANDARD MILITARY MOTOR VEHICLES
CARRIAGE, MOTOR, 105-MM HOWITZER, T19

Technical Manuals: TM 9-710A, TM 9-1710, Parts List: SNL G-102
 TM 9-1710C, TM 9-1711.

Manufacturer: Diamond T Motor Car Co.

Armament: One Howitzer, 105-mm, M2A1; one Gun, machine, cal. .50,
 HB, M2 (flexible); one Gun, submachine, cal. .45, M1928A1.

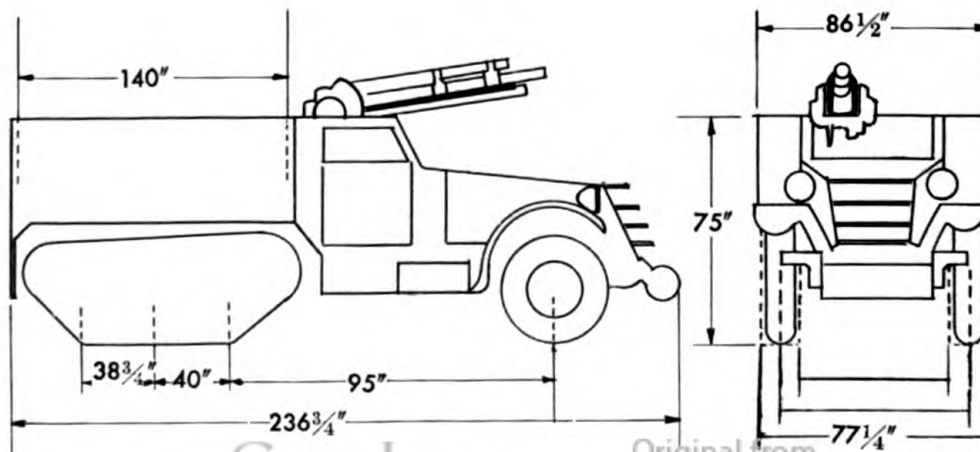
Ammunition: 8 rounds, 105-mm; 200 rounds, cal. .50; 540 rounds, cal.
 .45, in clips.



RA PD 12556

Classification: None

Purpose: To provide mobility for 105-mm howitzer and protection for
 crew.



**SECTION V—SELF-PROPELLED ARTILLERY
CARRIAGE, MOTOR, 105-MM HOWITZER, T19**

GENERAL DATA

Crew		6
Weight	Net	(lb) 17,400
	Payload	(lb) 2,600
	Gross	(lb) 20,000
Shipping dimensions	(cu ft)	(sq ft)
Tires—Combat	Ply. 12	Size. 8.25 x 20
Tread, center to center (in.)	Front 64 $\frac{1}{2}$	Rear 63 $\frac{13}{16}$
Track width		(in.) 12 $\frac{1}{4}$
Ground clearance		(in.) 17 $\frac{1}{8}$
Ground pressure, tires		(lbs per sq in.) 33.5
Electrical system		(volts) 12
Capacities	Fuel, 80 octane gasoline	(gal) 60
	Cooling system	(qt) 26
	Crankcase (refill)	(qt) 8
Brakes		Hydraulic (Hydrovac)
Communication		Radio

PERFORMANCE

Maximum gradability	(percent)	60
Turning radius	(ft)	30
Fording depth	(in.)	32
Angle of approach	(deg)	37
Angle of departure	(deg)	45
Fuel consumption, average conditions	(miles per gal)	3.3
Cruising range, average conditions	(miles)	200
Maximum allowable speed	(mph)	45
		1st 2nd 3rd 4th
Cruising speed ..	9 17 26 45	

ENGINE

Manufacturer	White	Model 160-AX
Type	In-line, 4 cycle	Number of cylinders 6
Displacement		(cu in.) 386
Maximum engine speed (not governed)		(rpm) 3,200
Brake horsepower		148

ADDITIONAL DATA

Basic chassis

Carrier, personnel, half-track, M3

.....

.....

TM 9-2800

**STANDARD MILITARY MOTOR VEHICLES
CARRIAGE, MOTOR, 155-MM GUN, M12**

Technical Manuals: TM 9-751, TM 9-1750, Parts List: SNL G-158
TM 1750B, TM 9-1750D, TM 9-1751.

Manufacturer: Pressed Steel Car Co.

Armament: One Gun, 155-mm, M1918M1; five Carbines, cal. .30; one
Launcher, grenade.

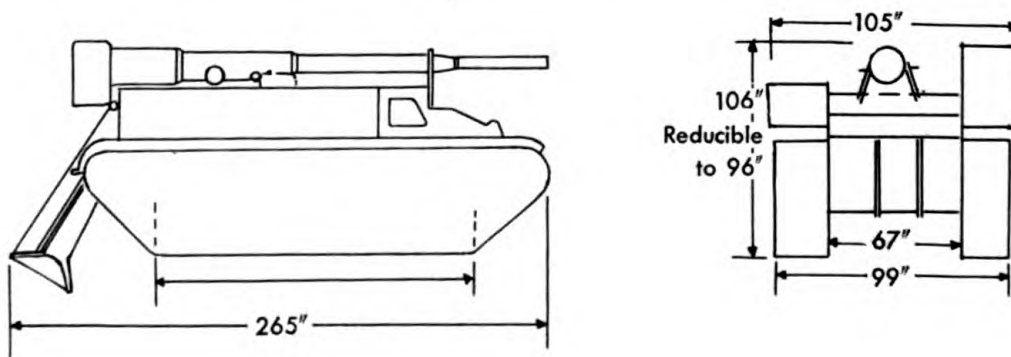
Ammunition: 10 rounds, 155-mm; 12 hand grenades; 10 rifle grenades.



RA PD 66383

Classification: Standard

Purpose: To provide mobility for 155-mm gun and protection for crew.



SECTION V—SELF-PROPELLED ARTILLERY
CARRIAGE, MOTOR, 155-MM GUN, M12

GENERAL DATA

Crew		6
Weight	Gross	(lb) 58,000
Shipping dimensions	(cu ft) 1,550	(sq ft) 193
Track width		(in.) 16 ⁹ / ₁₆
Ground clearance		(in.) 20
Ground pressure		(lbs per sq in.) 12
Electrical system		(volts) 24
Capacities	Fuel, 80 octane gasoline	(gal) 200
	Oil tank	(qt) 40
	Transmission and differential ..	(qt) 152
	Cooling system	Air-cooled
Brakes		Mechanical
Communication	Radio	Interphone

PERFORMANCE

Maximum gradability	(percent)	60
Turning radius	(ft)	31
Fording depth	(in.)	36
Maximum width of ditch vehicle will cross	(in.)	72
Maximum vertical obstacle vehicle will climb	(in.)	24
Fuel consumption, average conditions	(miles per gal)	.75
Cruising range, average conditions	(miles)	140
Maximum allowable speed	(mph)	24
	1st 2nd 3rd 4th 5th	
Cruising speed ..	2 5 9 14 21	

ENGINE

Manufacturer	Continental	Model R975C-1
Type	Radial, 4 cycle	Number of cylinders 9
Displacement		(cu in.) 973
Governed speed		(rpm) 2,400
Brake horsepower		400
Ignition type		Magneto

ADDITIONAL DATA

Basic chassis originally—Tank, medium, M3; later Tank, medium, M4.

.....

TM 9-2800

STANDARD MILITARY MOTOR VEHICLES
TANK, LIGHT, M3

Technical Manuals: TM 9-726, TM 9-1726A,
TM 9-1726B, TM 1726C, TM 9-1726F,
TM 9-1728.

Parts List:
SNL G-103,
Vol. I

Manufacturer: American Car & Foundry Co.

Armament: One Gun, 37-mm, M5 or M6; five Guns, machine, cal. .30,
M1919A4, flexible; one Gun, submachine, cal. .45, M1928A1.

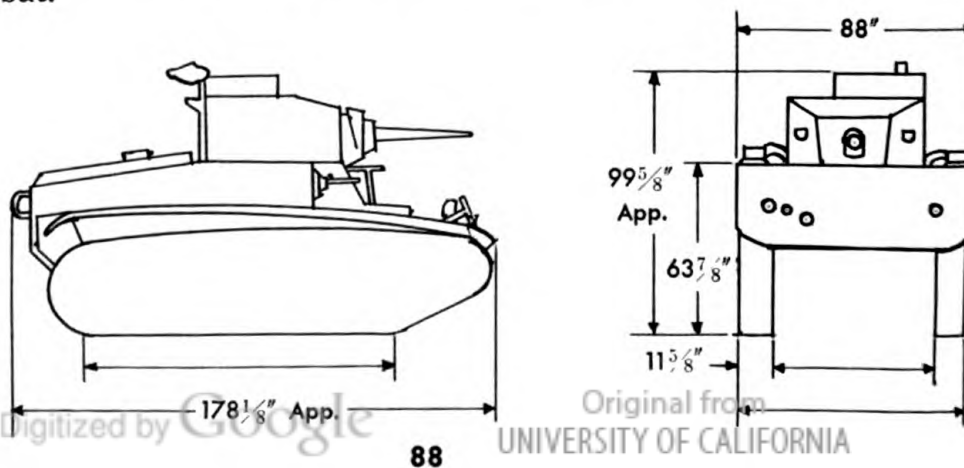
Ammunition: 103 rounds, 37-mm; 5,500 rounds, cal. .30; 350 rounds,
cal. .45.



RA PD 4747

Classification: Limited standard

Purpose: To provide firepower, mobility and crew protection for offensive
combat.



SECTION VI—TANKS

TANK, LIGHT, M3

GENERAL DATA

Crew		4
Weight	(Fighting, approx.) (lb)	28,000
Shipping dimensions	(cu ft) 924 (sq ft) 106	
Track width	(in.)	11 ⁵ / ₈
Ground clearance	(in.)	16 ¹ / ₂
Ground pressure	(lb per sq in.)	10.5
Electrical system	(volts)	12
Capacities	Fuel, 80 octane gasoline (gal)	56
	Oil tank (qt)	24
	Transmission and differential (qt)	24
	Cooling system Air-cooled	
Brakes	Mechanical	
Communication	Radio Intra-tank phone	

PERFORMANCE

Maximum gradability	(percent)	57
Turning radius	(ft)	21
Fording depth	(in.)	40
Maximum width of ditch vehicle will cross	(in.)	72
Maximum vertical obstacle vehicle will climb	(in.)	24
Fuel consumption, average conditions	(miles per gal)	1.10
Cruising range, average conditions	(miles)	60
Maximum allowable speed	(mph)	36

ENGINE

Manufacturer	Continental*	Model W670-9A	
Type	Radial, 4 cycle	Number of cylinders	7
Displacement		(cu in.)	668
Governed speed		(rpm)	2,400
Brake horsepower			242
Ignition type		Magneto	

ADDITIONAL DATA

*Some models are powered with Guiberson engines, Model T-1020 series 4, 1021 cubic inch displacement, using 50 cetane Diesel fuel oil. Miles per gallon (under average operating conditions) 1.5. Cruising range (under average operating conditions) 84.

TM 9-2800

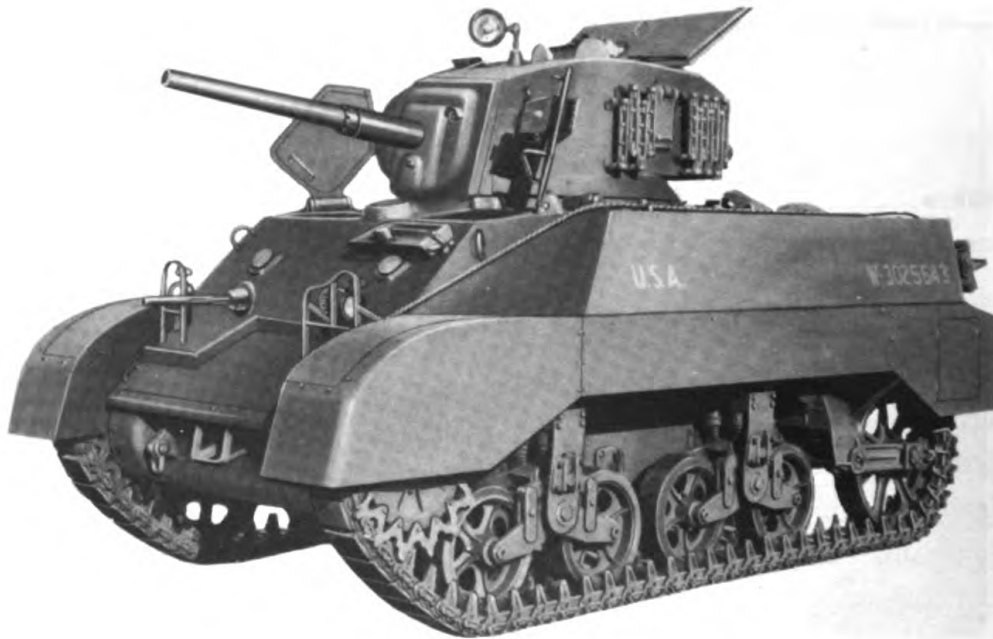
**STANDARD MILITARY MOTOR VEHICLES
TANK, LIGHT, M3A3**

Technical Manuals: TM 9-727, TM 9-1726A, Parts List: SNL G-103,
TM 9-1726C, TM 9-1727B, TM 9-1727F. Vol. VII

Manufacturer: American Car & Foundry Co.

Armament: One Gun, 37-mm, M6; one Gun, machine, cal. .30, M1919A5
(fixed); two Guns, machine, cal. .30, M1919A4 (flexible); one Gun,
submachine, cal. .45, M1928A1.

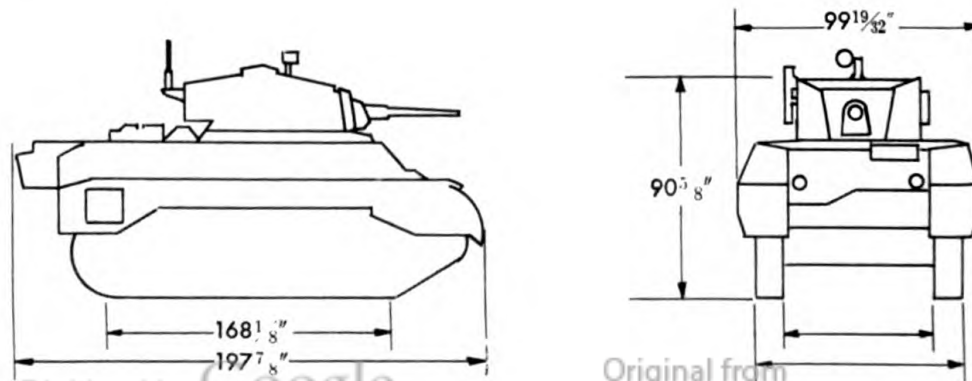
Ammunition: 174 rounds, 37-mm; 7,500 rounds, cal. .30; 540 rounds, cal.
.45; 12 hand grenades.



RA PD 66427

Classification: Limited standard

Purpose: To provide firepower, mobility and crew protection for offensive
combat.



Original from
UNIVERSITY OF CALIFORNIA

Digitized by Google

SECTION VI—TANKS
TANK, LIGHT, M3A3

GENERAL DATA

Crew		4
Weight	(Fighting)	31,280
Shipping dimensions	(cu ft) 940	(sq ft) 108
Track width	(in.)	115 $\frac{1}{2}$
Ground clearance	(in.)	16 $\frac{1}{2}$
Ground pressure	(lb per sq in.)	11.2
Electrical system	(volts)	12
Capacities	Fuel, 80 octane gasoline	100
	Oil tank	24
	Transmission and differential	24
	Cooling system	Air-cooled
Brakes	Mechanical	
Communication	Radio	Interphone

PERFORMANCE

Maximum gradability	(percent)	58
Turning radius	(ft)	21
Fording depth	(in.)	40
Maximum width of ditch vehicle will cross	(in.)	72
Maximum vertical obstacle vehicle will climb	(in.)	24
Fuel consumption, average conditions	(miles per gal)	1.10
Cruising range, average conditions	(miles)	110
Maximum allowable speed	(mph)	36

ENGINES

Manufacturer	Continental	Model W670-9A	
Type	Radial, 4 cycle	Number of cylinders	7
Displacement	(cu in.)		668
Governed speed	(rpm)		2400
Brake horsepower			242
Ignition type	Magneto		

ADDITIONAL DATA

Has welded hull.

.....

.....

STANDARD MILITARY MOTOR VEHICLES

**TANK, LIGHT, M5
TANK, LIGHT, M5A1**

Technical Manuals: TM 9-732, TM 9-1727B,
TM 9-1727C, TM 9-1727D, TM 9-1727E,
TM 9-1727F, TM 9-1727G, TM 9-1727K.

Parts Lists:
SNL G-103,
Vols. II and VIII

Manufacturer: Cadillac Motor Car Division (General Motors Corp.).

Armament: One Gun, 37-mm, M6; one Gun, machine, cal. .30, M1919A4 (fixed); two Guns, machine, cal. .30, M1919A4 (flexible); one Gun, sub-machine, cal. .45, M1928A1.

Ammunition: 123 rounds, 37-mm; 720 rounds, cal. .45; 6,500 rounds, cal. .30; 12 hand grenades.

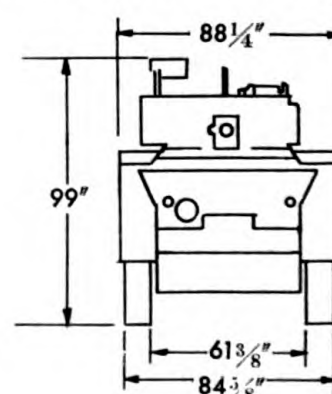
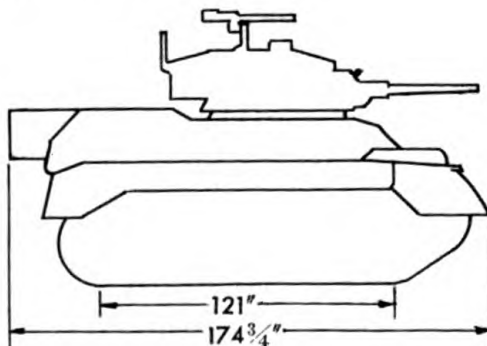


RA PD 45979

Vehicle illustrated above: Light tank, M5A1

Classification: Standard

Purpose: To provide firepower, mobility, and crew protection for offensive combat.



SECTION VI—TANKS
TANK, LIGHT, M5
TANK, LIGHT, M5A1

GENERAL DATA

Crew		4
Weight	(Fighting)	(lb) 32,340
Shipping dimensions	(cu ft) 861	(sq ft) 109
Track width		(in.) 11 ⁵ / ₈
Ground clearance		(in.) 16 ¹ / ₂
Ground pressure	(lb per sq in.)	11.6
Electrical system	(volts)	12
Capacities	Fuel, 80 octane gasoline	(gal) 89
	Crankcase (refill) each	(qt) 8
	Differential and transmission	(qt) 32
	Transfer case (each)	(qt) 15
	Cooling system (each)	(qt) 35
Brakes	Mechanical	
Communications	Radio	Intra-tank phone

PERFORMANCE

Maximum gradability	(percent)	60
Turning radius	(ft)	21
Fording depth	(in.)	36
Maximum width of ditch vehicle will cross	(in.)	72
Maximum vertical obstacle vehicle will climb	(in.)	24
Fuel consumption, average conditions	(miles per gal)	1.10
Cruising range, average conditions	(miles)	98
Maximum allowable speed	(mph)	40

ENGINES (TWO)

Manufacturer	Cadillac	Model—series 42	
Type	V8, 4 cycle	Number of cylinders	8
Displacement		(cu in.)	346
Governed speed		Not governed	
Brake horsepower		(each)	125
Ignition type		Battery	

ADDITIONAL DATA

Light tanks M5 and M5A1 are alike except for a slight bulge in the turret of the M5A1 to accommodate the radio.

.....

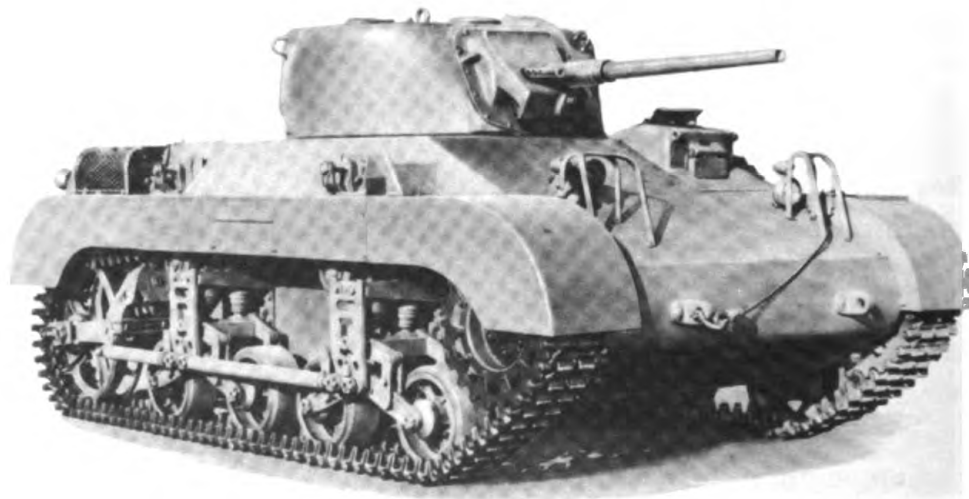
.....

STANDARD MILITARY MOTOR VEHICLES
TANK, LIGHT, T9E1

Technical Manuals: TM 9-724, TM 9-1724A. Parts List: SNL G-148
Manufacturer: Marmon-Herrington Co. Inc.

Armament: One Gun, 37-mm, M6; one Gun, machine, cal. .30, 1919A4 (flexible); one Gun, submachine, cal. .45, M1928A1.

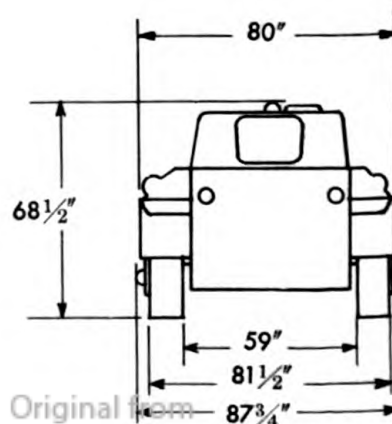
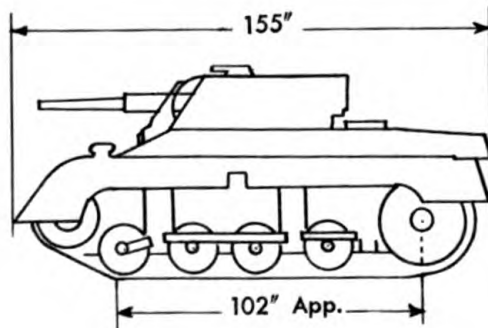
Ammunition: 50 rounds, 37-mm; 2,500 rounds, cal. .30; 450 rounds, cal. .45; 12 hand grenades (4 MKII), (2 MKIII), (4 smoke M8), (2 ther-mite).



RA PD 308903

Classification: None

Purpose: Airborne.



SECTION VI—TANKS

TANK, LIGHT, T9E1

GENERAL DATA

Crew		3
Weight	Net (airborne) (lb)	15,800
Shipping dimensions	(cu ft) 534 (sq ft) 114	
Track width	(in.)	11 ¹ / ₄
Ground clearance	(in.)	10
Ground pressure	(lb per sq in.)	6.16
Electrical system	(volts)	12
Capacities	Fuel, 73 octane gasoline (gal)	55
	Crankcase (refill) (qt)	12
	Transmission and differential (qt)	18
	Cooling system	Air-cooled
Brakes	Mechanical	
Communication	Radio Intra-tank phone	

PERFORMANCE

Maximum gradability	(percent)	63
Turning radius	(ft)	38
Fording depth	(in.)	42
Maximum width of ditch vehicle will cross	(in.)	65
Maximum vertical obstacle vehicle will climb	(in.)	12 ³ / ₈
Fuel consumption, average conditions	(miles per gal)	2.5
Cruising range, average conditions	(miles)	135
Maximum allowable speed	(mph)	40
	1st 2nd 3rd 4th	
Cruising speed	7 13 28 42	

ENGINE

Manufacturer	Lycoming	Model O-435-T	
Type	Horizontally opposed, 4 cycle	Number of cylinders	6
Displacement	(cu in.)		434
Governed speed	(rpm)		2800
Brake horsepower			162
Ignition type	Battery		

ADDITIONAL DATA

.....

.....

.....

.....

STANDARD MILITARY MOTOR VEHICLES

TANK, MEDIUM, M3

Technical Manuals: TM 9-750, TM 9-1750,
TM 9-1750D, TM 9-1750E, TM 9-1750H,
TM 9-1751, TM 9-1752.

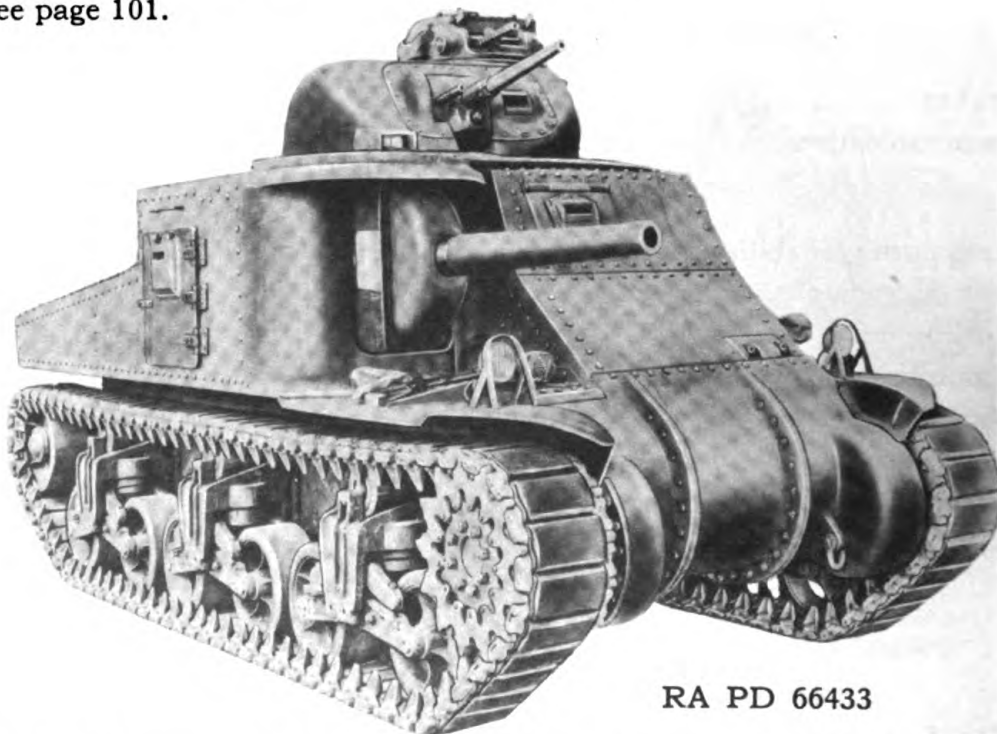
Parts List:
SNL G-104,
Vol. I

Manufacturers: American Locomotive Co., Baldwin Locomotive Works,
Detroit Tank Arsenal (Chrysler), Pressed Steel Car Co., Pullman
Standard Car Mfg. Co.

Armament: One Gun, 75-mm, M2 (Tank); one Gun, 37-mm, M5 or M6;
three Guns, machine, M1919A4; one Gun, submachine, cal. .45,
M1928A1.

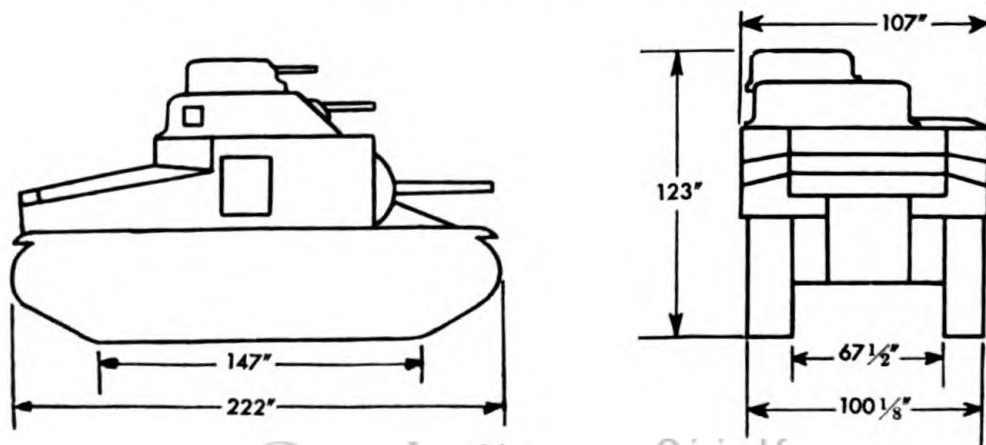
Ammunition: 50 rounds, 75-mm; 179 rounds, 37-mm; 1,200 rounds, cal.
.45; 9,200 rounds, cal. .30; 14 hand grenades.

See page 101.



RA PD 66433

Vehicle illustrated above has riveted hull. M3 series medium tanks are
commonly known as "General Lee". Classification: Limited standard



Digitized by Google 98

Original from
UNIVERSITY OF CALIFORNIA

TM 9-2800

**STANDARD MILITARY MOTOR VEHICLES
TANK, MEDIUM, M3A1**

Technical Manuals: TM 9-750, TM 9-1750,
TM 9-1750D, TM 9-1750E, TM 9-1750H,
TM 9-1751, TM 9-1752.

Parts List:
SNL G-104,
Vol. XII

Manufacturer: American Locomotive Co.

Armament: One Gun, 75-mm, M2 (Tank); one Gun, 37-mm, M5 or M6;
three Guns, machine, M1919A4; one Gun, submachine, cal. .45,
M1928A1.

Ammunition: 50 rounds, 75-mm; 179 rounds, 37-mm; 1,200 rounds, cal.
.45; 9,200 rounds, cal. .30; 14 hand grenades.

See page 101.

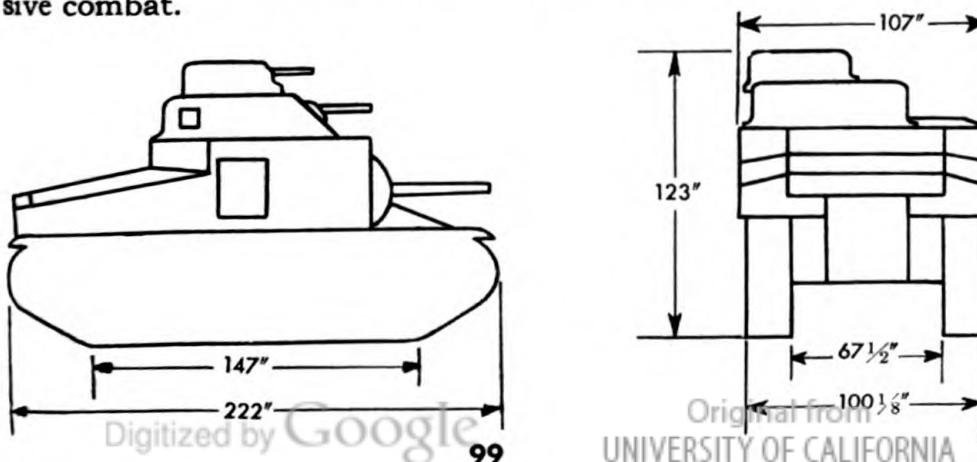


RA PD 66435

Vehicle illustrated above has cast hull.

Classification: Limited standard

Purpose: To provide firepower, mobility, and crew protection for offensive combat.



Original from
UNIVERSITY OF CALIFORNIA

STANDARD MILITARY MOTOR VEHICLES
TANK, MEDIUM, M3A2

Technical Manuals: TM 9-750, TM 9-1750,
TM 9-1750D, TM 9-1750E, TM 9-1750H,
TM 9-1751, TM 9-1752.

Parts List:
SNL G-104,
Vol. XII

Manufacturer: Baldwin Locomotive Works.

Armament: One Gun, 75-mm, M2 (Tank); one Gun, 37-mm, M5 or M6;
three Guns, machine, M1919A4; one Gun, submachine, cal. .45,
M1928A1.

Ammunition: 50 rounds, 75-mm; 179 rounds, 37-mm; 1,200 rounds, cal.
.45; 9,200 rounds, cal. .30; 14 hand grenades.

See page 101

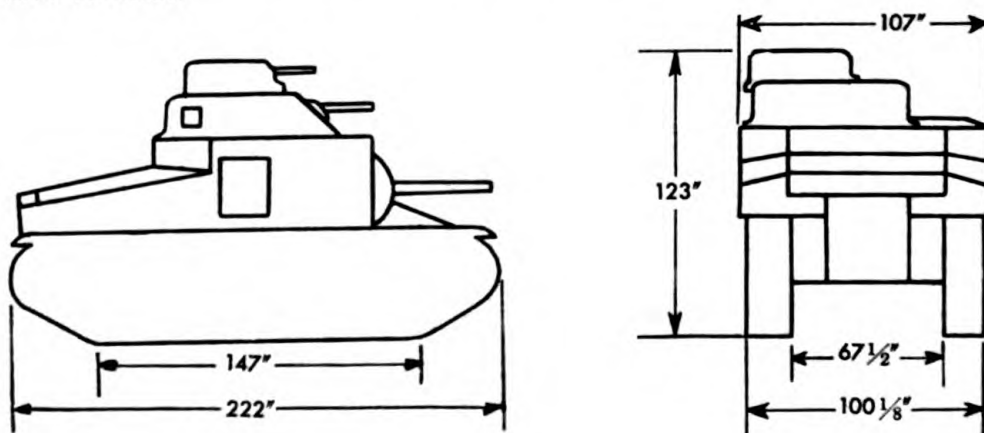


RA PD 66437

Vehicle illustrated above has welded hull.

Classification: Limited standard

Purpose: To provide firepower, mobility, and crew protection for offensive combat.



Digitized by Google 100

Original from
UNIVERSITY OF CALIFORNIA

SECTION VI—TANKS
TANK, MEDIUM, M3
TANK, MEDIUM, M3A1
TANK, MEDIUM, M3A2

GENERAL DATA

Crew	7
Weight	(Fighting, approx.) (lb) 60,000
Shipping dimensions	(cu ft) 1,736 (sq ft) 169
Track width	(in.) 16 ⁹ / ₁₆
Ground clearance	(in.) 17 ¹ / ₈
Ground pressure	(lb per sq in.) 12.75
Electrical system	(volts) 24
Capacities	Fuel, 80 octane gasoline (gal) 175
	Oil tank (qt) 36
	Transmission (qt) 26
	Differential (qt) 120
	Cooling system Air-cooled
Brakes (hydraulic booster on old models)	Mechanical
Communication	Radio Intra-tank phone

PERFORMANCE

Maximum gradability	(percent) 60
Turning radius	(ft) 31
Fording depth	(in.) 40
Maximum width of ditch vehicle will cross	(in.) 72
Maximum vertical obstacle vehicle will climb	(in.) 24
Fuel consumption, average conditions	(miles per gal) .75
Cruising range, average conditions	(miles) 125
Maximum allowable speed	(mph) 24
	1st 2nd 3rd 4th 5th
Cruising speed	2 5 9 14 21

ENGINE

Manufacturer	Continental*	Model R975-EC2
Type	Radial, 4 cycle	Number of cylinders 9
Displacement	(cu in.) 973	
Governed speed	(rpm) 2,100	
Brake horsepower	400	
Ignition type	Magneto	

ADDITIONAL DATA

*Some M3 and M3A2 tanks are powered with Guiberson Diesel engines, Model T-1400, 1402 cubic inch displacement, using 50 cetane Diesel oil fuel. Weights are based on steel chevron track, T54E1.

**STANDARD MILITARY MOTOR VEHICLES
TANK, MEDIUM, M3A3, AND
TANK, MEDIUM, M3A5**

Technical Manuals: TM 9-753, TM 9-1750,
TM 9-1750G, TM 9-1750H.

Parts List:
SNL G-104,
Vols. V and X

Manufacturer: Baldwin Locomotive Works.

Armament: One Gun, 75-mm, M2; one Gun, 37-mm, M5 and M6; three
Guns, machine, cal. .30, M1919A4; one Gun, submachine, cal. .45.

Ammunition: 50 rounds, 75-mm; 179 rounds, 37-mm; 1,200 rounds, cal.
.45; 9,200 rounds, cal. .30; 14 hand grenades.

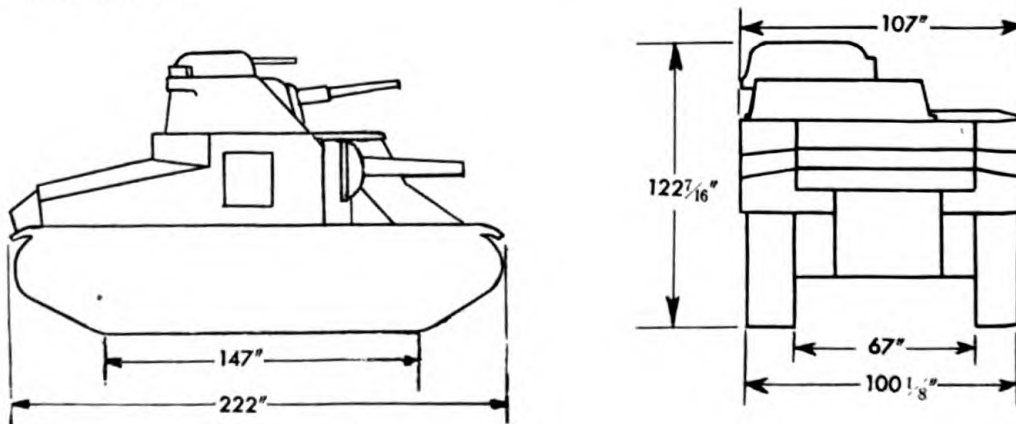


RA PD 66439

Vehicle illustrated above: Tank, medium, M3A3, welded hull.

Classification: Limited standard

Purpose: To provide firepower, mobility, and crew protection for offensive combat.



111 7-2000

SECTION VI—TANKS
TANK, MEDIUM, M3A3, AND
TANK, MEDIUM, M3A5

GENERAL DATA

Crew		6
Weight—See add'l data... (Fighting)		
Shipping dimensions..... (cu ft) 1,620..... (sq ft) 162		
Track width..... (in.)		16 ⁹ / ₁₆
Ground clearance..... (in.)		17 ¹ / ₈
Ground pressure—See additional data..... (lb per sq in.)		
Electrical system..... (volts)		24
Capacities..... Fuel, 50 cetane, Diesel fuel oil.. (gal)		148
	Oil tank..... (qt)	32
	Transmission and differential... (qt)	136
	Cooling system..... (qt)	128
Brakes.....	Mechanical	
Communication..... Radio.....	Intra-tank phone	

PERFORMANCE

Maximum gradability..... (percent)		60
Turning radius..... (ft)		31
Fording depth—See additional data..... (in.)		
Maximum width of ditch vehicle will cross..... (in.)		72
Maximum vertical obstacle vehicle will climb..... (in.)		24
Fuel consumption, average conditions..... (miles per gal)		1.1
Cruising range, average conditions..... (miles)		150
Maximum allowable speed..... (mph)		29
	1st 2nd 3rd 4th 5th	
Cruising speed..	2 6 10 16 25	

ENGINE

Manufacturer.....	GMC.....	Model 6046 series 71	
Type.....	Twin-Six, 2 cycle, Diesel.....	No. of cylinders	12
Displacement..... (cu in.)			850
Governed speed..... (rpm)			2,100
Brake horsepower.....			420
Ignition type.....		Compression	

ADDITIONAL DATA

Weights and ground pressure based on steel chevron track T54E1.

	M3A3	M3A5
Weight.....	62,240	64,000
Ground pressure.....	13.2	13.5
Fording depth.....	36	40
Hull.....	welded	riveted

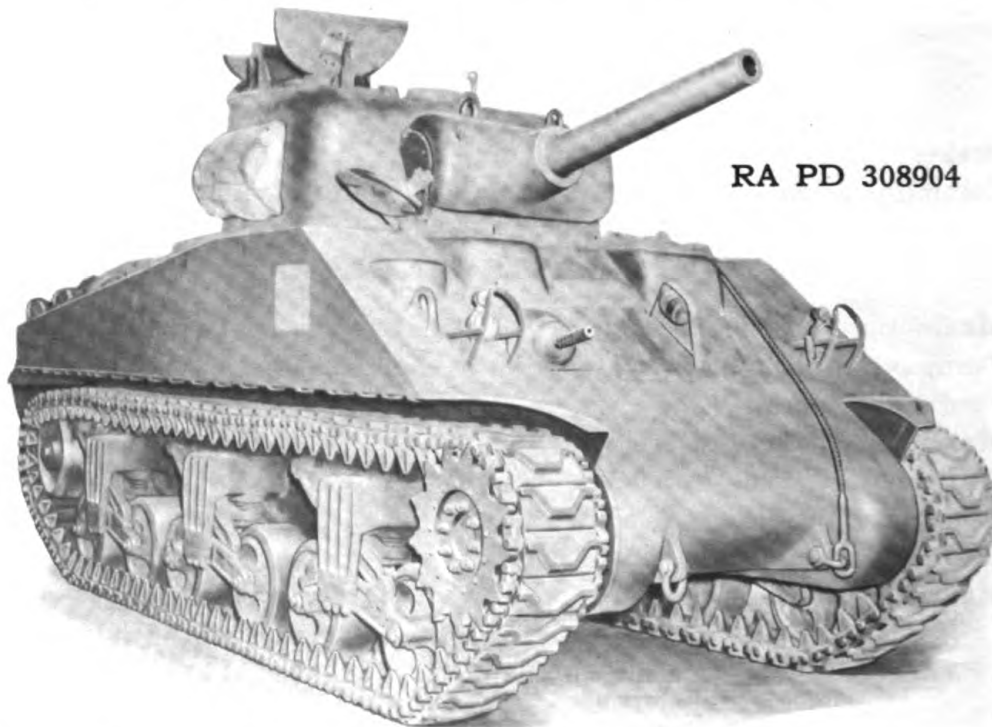
STANDARD MILITARY MOTOR VEHICLES
TANK, MEDIUM, M4, AND
TANK, MEDIUM, M4 (105-MM HOW.)

Technical Manuals: TM 9-731A, TM 9-1730C,
 TM 9-1750D, TM 9-1731E, TM 9-1731G,
 TM 9-1731K, TM 9-1750.

Parts List:
 SNL G-104,
 Vols. VI and XIV

Manufacturers: Baldwin Locomotive Works, American Locomotive Co.;
 Detroit Tank Arsenal (Chrysler); Pressed Steel Car Co.; Pullman
 Standard Car Mfg. Co.

For Armament and Ammunition see page 554.

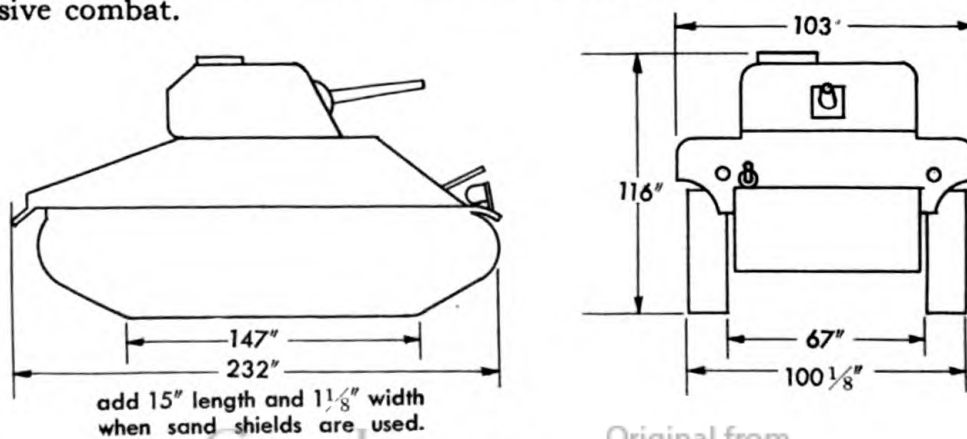


RA PD 308904

Vehicle illustrated above: Tank, medium, M4, (105-mm How.) M4 series
 medium tanks are commonly known as "General Sherman."

Classification: Standard

Purpose: To provide firepower, mobility, and crew protection for offen-
 sive combat.



SECTION VI—TANKS
TANK, MEDIUM, M4, AND
TANK, MEDIUM, M4 (105-MM HOW.)

GENERAL DATA

Crew.....		5
Weight.....	(Fighting), M4.....(lb)	67,300
	M4 (105-mm How.) (lb)	68,500
Shipping dimensions.....	(cu ft) 1,452.....(sq ft) 166	
Track width.....	(in.)	16 ⁹ / ₁₆
Ground clearance.....	(in.)	17 ³ / ₈
Ground pressure.....	M4.....(lbs per sq in.)	13.4
	M4 (105-mm How.) (lbs per sq in.)	13.6
Electrical system.....	(volts)	24
Capacities.....	Fuel, 80 octane, gasoline.....(gal)	175
	Oil tank.....(qt)	36
	Transmission and differential... (qt)	128
	Cooling system.....	Air cooled
Brakes.....		Mechanical
Communication.....	Radio.....	Interphone

PERFORMANCE

Maximum gradability.....	(percent)	60
Turning radius.....	(ft)	31
Fording depth.....	(in.)	36
Maximum width of ditch vehicle will cross.....	(in.)	72
Maximum vertical obstacle vehicle will climb.....	(in.)	24
Fuel consumption, average conditions.....	(miles per gal)	75
Cruising range, average conditions.....	(miles)	125
Maximum allowable speed.....	(mph)	24
	1st 2nd 3rd 4th 5th	
Cruising speed.....	2 5 9 14 21	

ENGINE

Manufacturer.....	Continental.....	Model R975-C1	
Type.....	Radial, 4 cycle.....	Number of cylinders	9
Displacement.....		(cu in.)	973
Governed speed.....		(rpm)	2,400
Brake horsepower.....			400
Ignition type.....		Magneto	

ADDITIONAL DATA

Tank, medium, M4 (105-mm How.), is identical with Tank, medium, M4, except carries 105-mm howitzer, T8 instead of 75-mm gun, M3. Weights based on chevron steel track T54E1.

**STANDARD MILITARY MOTOR VEHICLES
TANK, MEDIUM, M4A1**

Technical Manuals: TM 9-731A, TM 9-1730C,
TM 9-1731E, TM 9-1731G, TM 9-1731K,
TM 9-1750, TM 9-1750B, TM 9-1750D,
TM 9-1750K.

Parts List:
SNL G-104,
Vol. XI

Manufacturers: Lima Locomotive Works, Inc., Pacific Car & Foundry Co., Pressed Steel Car Co.

Armament: One Gun, 75-mm, M3; one Gun, machine, cal. .50, HB, M2; two Guns, machine, cal. .30, M1919A4 (flexible); one Gun, submachine, cal. .45, M1928A1.

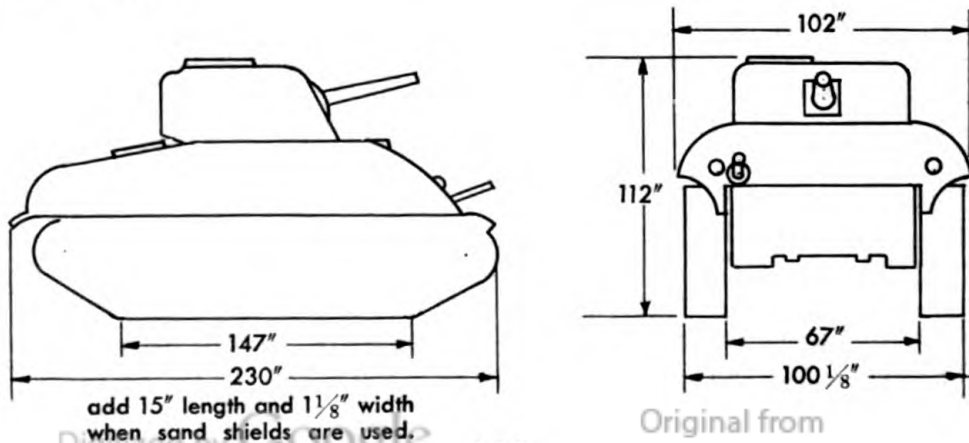
Ammunition: 90 rounds, 75-mm; 6,250 rounds, cal. .30; 600 rounds, cal. .45; 300 rounds, cal. .50; 12 hand grenades.



RA PD 308926

Classification: Standard

Purpose: To provide firepower, mobility and crew protection for offensive combat.



Original from
UNIVERSITY OF CALIFORNIA

SECTION VI—TANKS
TANK, MEDIUM, M4A1

GENERAL DATA

Crew		5
Weight	(Fighting)	(lb) 67,300
Shipping dimensions	(cu ft) 1,540	(sq ft) 165
Track width		(in.) 16 ⁹ / ₁₆
Ground clearance		(in.) 17 ³ / ₈
Ground pressure		(lbs per sq in.) 13.4
Electrical system		(volts) 24
Capacities	Fuel, 80 octane gasoline	(gal) 175
	Oil tank	(qt) 36
	Transmission and differential ..	(qt) 128
	Cooling system	Air-cooled
Brakes		Mechanical
Communication	Radio	Interphone

PERFORMANCE

Maximum gradability		(percent) 60
Turning radius		(ft) 31
Fording depth		(in.) 36
Maximum width of ditch vehicle will cross		(in.) 72
Maximum vertical obstacle vehicle will climb		(in.) 24
Fuel consumption, average conditions		(miles per gal) .75
Cruising range, average conditions		(miles) 125
Maximum allowable speed		(mph) 24
	1st 2nd 3rd 4th 5th	
Cruising speed ..	2 5 9 14 21	

ENGINE

Manufacturer	Continental	Model R975-C1	
Type	Radial, 4 cycle	Number of cylinders	9
Displacement		(cu in.)	973
Governed speed		(rpm)	2,400
Brake horsepower			400
Ignition type		Magneto	

ADDITIONAL DATA

Weight based on chevron steel track T54E1.

.....

.....

.....

**STANDARD MILITARY MOTOR VEHICLES
TANK, MEDIUM, M4A2**

Technical Manuals: TM 9-731B, TM 9-1731F,
TM 9-1731G, TM 9-1731K, TM 9-1750,
TM 9-1750B, TM 9-1750G.

Parts List:
SNL G-104,
Vol. VII

Manufacturers: Federal Machine and Welding Co.; Fisher Tank Div.,
(General Motors Corp.); Pullman Standard Car Mfg. Co.

Armament: One Gun, 75-mm, M3; one Gun, machine, cal. .30, M1919A4
(flexible); one Gun, submachine, cal. .45, M1928A1; one Gun, machine,
cal. .50, HB, M2.

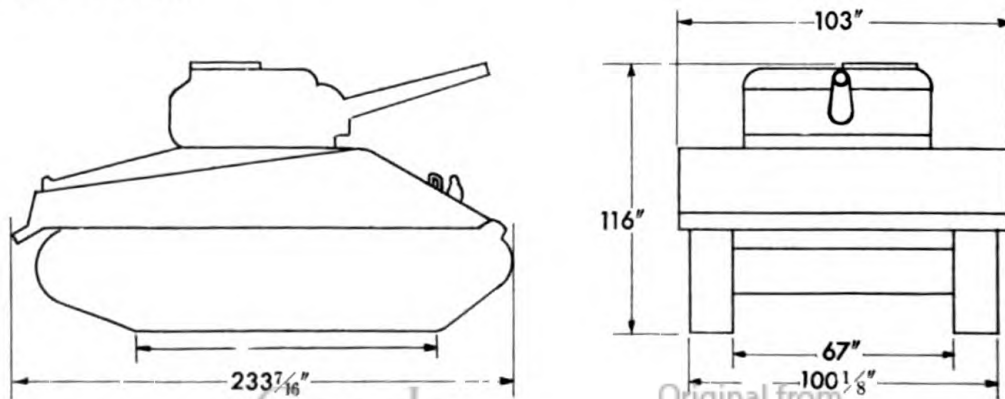
Ammunition: 97 rounds, 75-mm; 6,250 rounds, cal. .30; 600 rounds, cal.
.45; 300 rounds, cal. .50; 12 hand grenades.



RA PD 308927

Classification: Standard

Purpose: To provide firepower, mobility, and crew protection for offensive combat.



SECTION VI—TANKS
TANK, MEDIUM, M4A2

GENERAL DATA

Crew		5
Weight	(Fighting)	70,100
Shipping dimensions	(cu ft) 1,526	(sq ft) 167
Track width		16 ⁹ / ₁₆ (in.)
Ground clearance		18 (in.)
Ground pressure		13.9 (lb per sq in.)
Electrical system		24 (volts)
Capacities	Fuel, 50 cetane, Diesel fuel oil ..	148 (gal)
	Oil tank	32 (qt)
	Crankcase (refill) each	16 (qt)
	Transmission and differential ..	152 (qt)
	Cooling system	106 (qt)
Brakes		Mechanical
Communication	Radio	Interphone

PERFORMANCE

Maximum gradability	(percent)	60
Turning radius	(ft)	31
Fording depth	(in.)	40
Maximum width of ditch vehicle will cross	(in.)	72
Maximum vertical obstacle vehicle will climb	(in.)	24
Fuel consumption, average conditions	(miles per gal)	1.1
Cruising range, average conditions	(miles)	150
Maximum allowable speed	(mph)	29
	1st 2nd 3rd 4th 5th	
Cruising speed ..	2 6 10 16 25	

ENGINE

Manufacturer . GMC	Model 6046, Series 71	
Type	Twin six, 2 cycle Diesel ..	Number of cylinders 6
Displacement		850 (cu in.)
Governed speed		2,100 (rpm)
Brake horsepower		420
Ignition type		Compression

ADDITIONAL DATA

Weight based on chevron steel track T54E1.

.....

.....

.....

**STANDARD MILITARY MOTOR VEHICLES
TANK, MEDIUM, M4A3 AND
TANK, MEDIUM, M4A3 (105-MM HOW.)**

Technical Manuals: TM 9-759, TM 9-1731B,
TM 9-1731C, TM 9-1731G, TM 9-1731K,
TM 9-1750, TM 9-1750B.

Parts List:
SNL G-104,
Vols. XIII and XV

Manufacturer: Ford Motor Co.

Armament: One Gun, 75-mm, M3 or one Howitzer, 105-mm, T8; one Gun, machine, cal. .50, HB, M2; one Gun, machine, cal. .30, M1919A4 (flexible); one Gun, submachine, cal. .45, M1928A1.

Ammunition: 97 rounds, 75-mm; or 68 rounds, 105-mm; 300 rounds, cal. .50; 6,250 rounds, cal. .30; 600 rounds, cal. .45; 12 hand grenades.

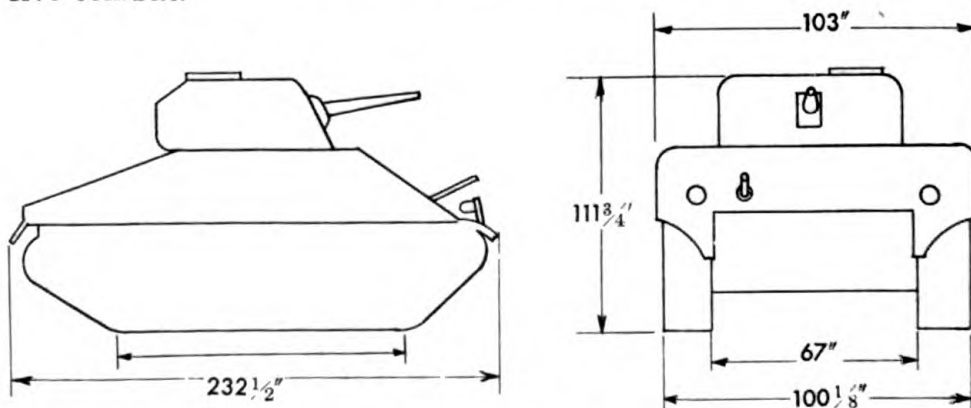


RA PD 308928

Vehicle illustrated above: Tank, medium, M4A3.

Classification: Standard

Purpose: To provide firepower, mobility and crew protection for offensive combat.



Add 15" length and 11 1/8" width when sand shields are used.

SECTION VI—TANKS
TANK, MEDIUM, M4A3 AND
TANK, MEDIUM, M4A3 (105-MM HOW.)

GENERAL DATA

Crew		5
Weight	(Fighting) M4A3	68,400
	M4A3 (105-mm How.) (lb)	69,600
Shipping dimensions	(cu ft) 1,530	(sq ft) 166
Track width	(in.)	16
Ground clearance	(in.)	17 ³ / ₈
Ground pressure	M4A3	13.6
	M4A3 (105-mm How.)	
	(lb per sq in.)	13.8
Electrical system	(volts)	24
Capacities	Fuel, 80 octane gasoline	175
	Oil tank	32
	Transmission and differential ...	128
	Cooling system	56
Brakes	Mechanical	
Communication	Radio	Interphone

PERFORMANCE

Maximum gradability	(percent)	60
Turning radius	(ft)	31
Fording depth	(in.)	36
Maximum width of ditch vehicle will cross	(in.)	72
Maximum vertical obstacle vehicle will climb	(in.)	24
Fuel consumption, average conditions	(miles per gal)	.8
Cruising range, average conditions	(miles)	130
Maximum allowable speed	(mph)	28
	1st 2nd 3rd 4th 5th	
Cruising speed ..	2 6 10 16 24	

ENGINE

Manufacturer	Ford	Model GAA-V8	
Type	V8, 4 cycle	Number of cylinders	8
Displacement	(cu in.)		1,100
Governed speed	(rpm)		2,600
Brake horsepower			500
Ignition type	Magneto		

ADDITIONAL DATA

Weights and ground pressure based on steel chevron track T54E1. Tank, medium, M4A3 (105-mm How.) is identical with Tank, medium, M4A3, except carries 105-mm howitzer, T48, instead of 75-mm gun, M3.

STANDARD MILITARY MOTOR VEHICLES
TANK, MEDIUM, M4A4

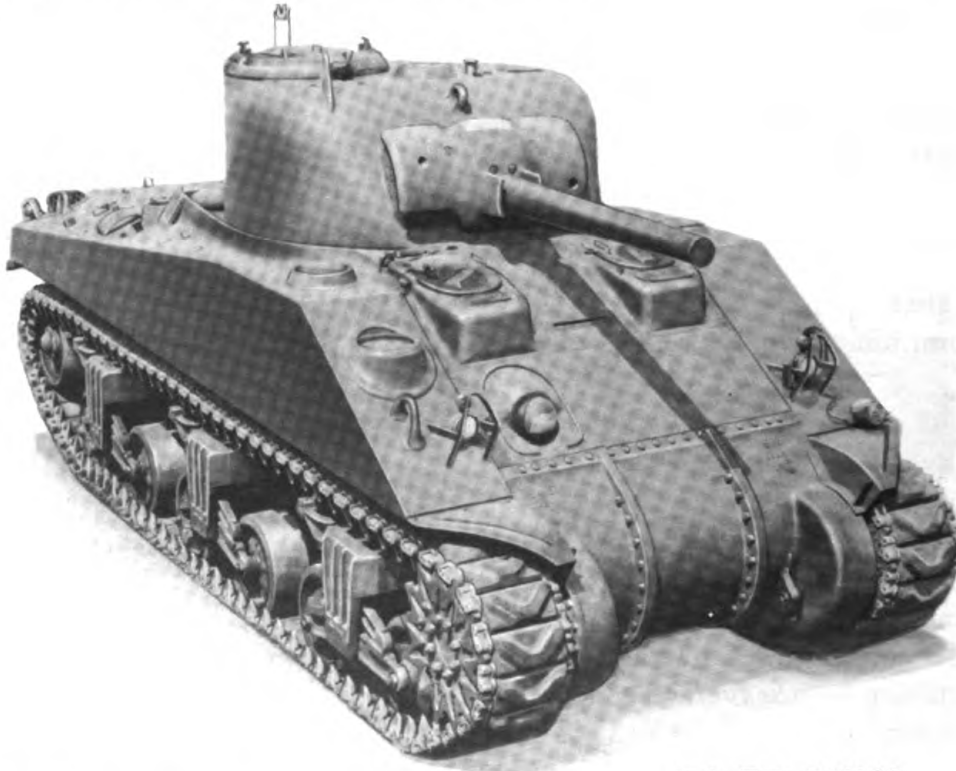
Technical Manuals: TM 9-754, TM 9-1731E,
TM 9-1731G, TM 9-1731K, TM 9-1750,
TM 9-1750F, TM 9-1750J.

Parts List:
SNL G-104,
Vol. IX

Manufacturer: Detroit Tank Arsenal (Chrysler).

Armament: One Gun, 75-mm, M3; one Gun, machine, cal. .50, HB, M2;
one Gun, machine, cal. .30, M1919A4 (flexible); one Gun, submachine,
cal. .45, M1928A1.

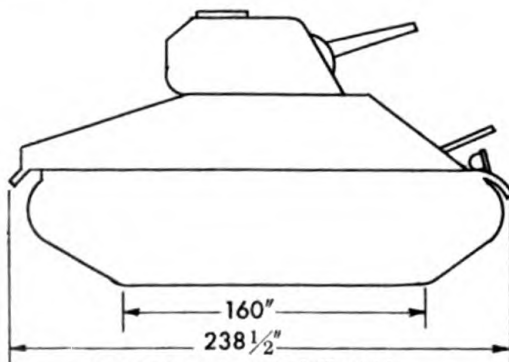
Ammunition: 97 rounds, 75-mm; 6,250 rounds, cal. .30; 600 rounds, cal.
.45; 300 rounds, cal. .50; 12 hand grenades.



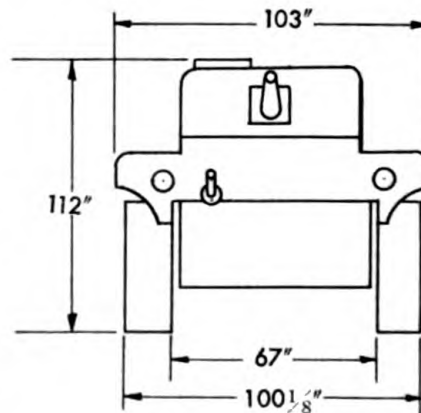
RA PD 308909

Classification: Standard

Purpose: To provide firepower, mobility and crew protection for offensive
combat.



add 15" length and 1 1/8" width
when sand shields are used.



Original from
UNIVERSITY OF CALIFORNIA

SECTION VI—TANKS
TANK, MEDIUM, M4A4

GENERAL DATA

Crew		5
Weight	(Fighting)	(lb) 71,900
Shipping dimensions	(cu ft) 1,529	(sq ft) 170
Track width		(in.) 16 ⁹ / ₁₆
Ground clearance		(in.) 17 ¹ / ₈
Ground pressure		(lb per sq in.) 13.3
Electrical system		(volts) 24
Capacities	Fuel, 70 octane gasoline	(gal) 140
	Oil tank	(qt) 32
	Transmission and differential	(qt) 152
	Cooling system	(qt) 128
Brakes		Mechanical
Communication	Radio	Interphone

PERFORMANCE

Maximum gradability		(percent) 60
Turning radius		(ft) 35
Fording depth		(in.) 42
Maximum width of ditch vehicle will cross		(in.) 78
Maximum vertical obstacle vehicle will climb		(in.) 24
Fuel consumption, average conditions		(miles per gal) .6
Cruising range, average conditions		(miles) 80
Maximum allowable speed		(mph) 23
	1st 2nd 3rd 4th 5th	
Cruising speed	2 5 9 14 20	

ENGINE

Manufacturer	Chrysler	Model A-57
Type	Multi-bank, 4 cycle ..	Number of cylinders 30
Displacement		(cu in.) 1,253
Governed speed (no load)		(rpm) 2,600
Brake horsepower		460
Ignition type		Battery

ADDITIONAL DATA

Weight based on steel chevron track T54E1.

.....

.....

.....

STANDARD MILITARY MOTOR VEHICLES
TANK, MEDIUM, M4A6

Technical Manuals: TM 9-1731G, TM 9-1731K,
 TM 9-1750, TM 9-1750B, TM 9-1750K.

Parts List:
 SNL G-104,
 Vol. XIII

Manufacturer: Detroit Tank Arsenal (Chrysler).

Armament: One Gun, 75-mm, M3; one Gun, machine, cal. .50, HB, M2;
 one Gun, machine, cal. .30, M1919A4 (flexible); one Gun, submachine,
 cal. .45, M1928A1.

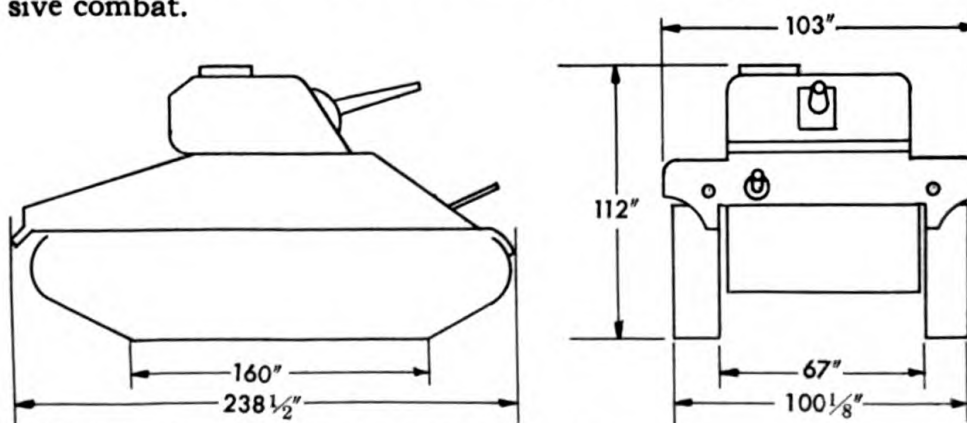
Ammunition: 97 rounds, 75-mm; 300 rounds, cal. .50; 600 rounds, cal.
 .45; 6,250 rounds, cal. .30; 12 hand grenades.



RA PD 308925

Classification:

Purpose: To provide firepower, mobility, and crew protection for offensive combat.



Add 15" length and 18" width when sand shields are used

SECTION VI—TANKS
TANK, MEDIUM, M4A6

GENERAL DATA

Crew		5
Weight..... (Fighting)	(lb)	68,900
Shipping dimensions..... (cu ft) 1,529	(sq ft) 170	
Track width	(in.)	16 ⁹ / ₁₆
Ground clearance.....	(in.)	17 ¹ / ₈
Ground pressure.....	(lbs per sq in.)	12.7
Electrical system.....	(volts)	24
Capacities..... Fuel, 50 cetane, Diesel fuel oil .. (gal)		140
	Oil tank..... (qt)	60
	Transmission and differential... (qt)	152
	Cooling system..... Air-cooled	
Brakes.....	Mechanical	
Communication.....	Radio..... Interphone	

PERFORMANCE

Maximum gradability.....	(percent)	60
Turning radius.....	(ft)	35
Fording depth.....	(in.)	42
Maximum width of ditch vehicle will cross.....	(in.)	78
Maximum vertical obstacle vehicle will climb.....	(in.)	24
Fuel consumption, average conditions.....	(miles per gal)	.8
Cruising range, average conditions.....	(miles)	
Maximum allowable speed.....	(mph)	30
	1st 2nd 3rd 4th 5th	
Cruising speed.....	3 6 11 18 27	

ENGINE

Manufacturer.....	Caterpillar.....	Model RD1820	
Type.....	Radial, 4 cycle, Diesel.....	No. of cylinders	9
Displacement.....		(cu in.)	1,820
Governed speed.....		(rpm)	2,000
Brake horsepower.....			450
Ignition type.....		Compression	

ADDITIONAL DATA

Weight based on chevron steel track T54E1.

.....

.....

.....

**STANDARD MILITARY MOTOR VEHICLES
TANK, MEDIUM, M4E6**

Technical Manuals:

Parts List:

Manufacturer: Pullman Standard Car Mfg. Co.

Armament: One Gun, 76-mm, M3; one Gun, machine, cal. .50, HB, M2;
two Guns, machine, cal. .30, M1919A4; one Gun, submachine, cal. .45,
M1928A1.

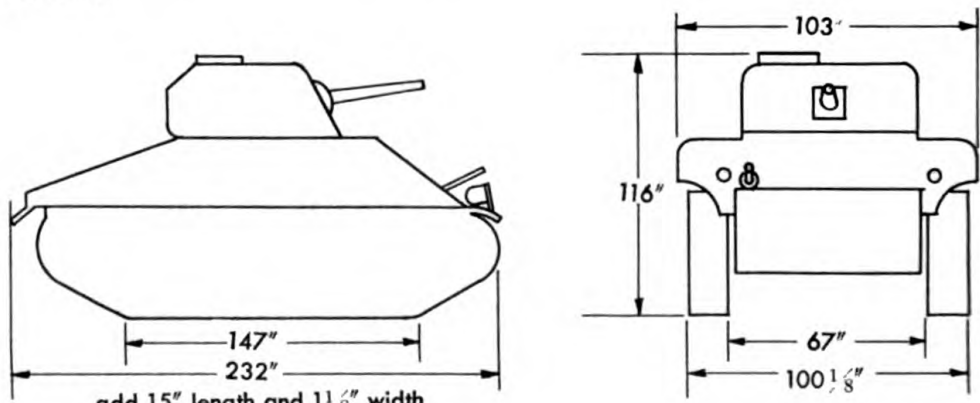
Ammunition: 56 rounds, 76-mm; 5,000 rounds, cal. .30; 300 rounds, cal.
.50; 600 rounds, cal. .45; 12 grenades.



RA PD 308987

Classification: None

Purpose: To provide firepower, mobility and crew protection for offensive combat.



add 15" length and 1 1/8" width
when sand shields are used.

Original from
UNIVERSITY OF CALIFORNIA

SECTION VI—TANKS

TANK, MEDIUM, M4E6

GENERAL DATA

Crew		5
Weight.....(Fighting).....(lb)		
Shipping dimensions.....(cu ft).....(sq ft)		
Track width.....(in.)		16 ⁹ / ₁₆
Ground clearance.....(in.)		17 ³ / ₈
Ground pressure.....(lbs per sq in.)		
Electrical system.....(volts)		24
Capacities.....Fuel, 80 octane, gasoline.....(gal)		175
	Oil tank.....(qt)	36
	Transmission and differential..(qt)	128
	Cooling system.....Air-cooled	
Brakes.....	Mechanical	
Communication.....Radio.....Intra-tank phone		

PERFORMANCE

Maximum gradability.....(percent)		27
Turning radius.....(ft)		35
Fording depth.....(in.)		36
Maximum width of ditch vehicle will cross.....(in.)		72
Maximum vertical obstacle vehicle will climb.....(in.)		24
Fuel consumption, average conditions.....(miles per gal)		
Cruising range, average conditions.....(miles)		
Maximum allowable speed.....(mph)		24
	1st 2nd 3rd 4th 5th	
Cruising speed.	2 5 9 14 21	

ENGINE

Manufacturer.....	Continental.....	Model R-975-C1	
Type.....	Radial, 4 cycle.....	Number of cylinders	9
Displacement.....(cu in.)			973
Governed speed.....(rpm)			2,400
Brake horsepower.....			400
Ignition type.....	Magneto		

ADDITIONAL DATA

Weight based on chevron steel track, T54E1.

.....

.....

.....

STANDARD MILITARY MOTOR VEHICLES

TANK, HEAVY, M6

Technical Manual: TM 9-721

Parts List: SNL G-118, Vol. I

Manufacturer: Baldwin Locomotive Works

Armament: One Gun, 3-in., M7; one Gun, 37-mm, M6; two Guns, machine, cal. .50 HB, M2; two Guns, machine, cal. .30, M1919A4 (flexible); two Guns, submachine, cal. .45, M1928A1.

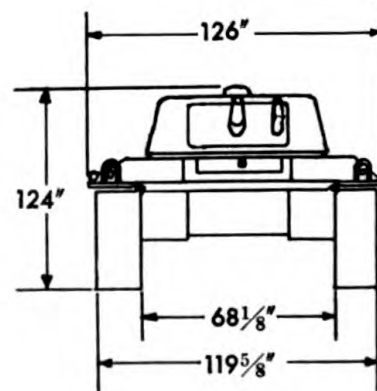
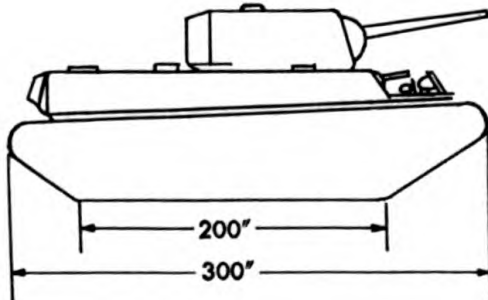
Ammunition: 75 rounds, 3-in.; 202 rounds, 37-mm; 5,200 rounds, cal. .50; 1,260 rounds, cal. .45; 7,500 rounds, cal. .30; 12 hand grenades.



RA PD 66457

Classification: Standard

Purpose: To provide firepower, mobility, and crew protection for offensive combat.



SECTION VI—TANKS
TANK, HEAVY, M6

GENERAL DATA

Crew		6
Weight	(Fighting)	(lb) 120,000
Shipping dimensions	(cu ft) 2,442	(sq ft) 244
Track width		(in.) 25 ³ / ₄
Ground clearance		(in.) 20 ¹ / ₂
Ground pressure		(lbs per sq in.) 12.5
Electrical system		(volts) 24
Capacities	Fuel, 80 octane gasoline	(gal) 322
	Oil tank	(qt) 98
	Torque converter	(gal) 26
	Converter reduction	(qt) 8-10
	Transmission and differential ..	(qt) 168
	Cooling system	Air-cooled
Brakes		Hydraulic—mechanical (Budd disk)
Communication		Radio
		Intra-tank phone

PERFORMANCE

Maximum gradability		(percent) 60
Turning radius		(ft) 28
Fording depth		(in.) 36
Maximum width of ditch vehicle will cross		(in.) 132
Maximum vertical obstacle vehicle will climb		(in.) 42
Fuel consumption, average conditions		(miles per gal) .3
Cruising range, average conditions		(miles) 100
Maximum allowable speed		(mph) 23

ENGINE

Manufacturer	Wright	Model G-200
Type	Radial, 4 cycle	Number of cylinders 9
Displacement		(cu in.) 1,823
Governed speed		(rpm) 2,300
Brake horsepower		775
Ignition type		Magneto

ADDITIONAL DATA

.....

STANDARD MILITARY MOTOR VEHICLES
TANK, HEAVY, T1E1

Technical Manuals: Parts List: SNL G-118, Vol. III

Manufacturer: Baldwin Locomotive Works

Armament: One Gun, 3-in., M7; one Gun, 37-mm, M6; two Guns, machine, cal. .50 HB, M2; two Guns, machine, cal. .30, M1919A4 (flexible); two Guns, submachine, cal. .45, M1928A1.

Ammunition: 75 rounds, 3-in.; 202 rounds, 37-mm; 5,200 rounds, cal. .50; 1,260 rounds, cal. .45; 7,500 rounds, cal. .30; 12 hand grenades.

Electrical system	(volts)	24
Capacities	Fuel, 80 octane gasoline (gal)	334
	Oil tank (qt)	98
	Transmission and differential (qt)	168
	Torque converter (gal)	26
	Converter reduction (qt)	8-10
	Cooling system	Air-cooled
Brakes	Hydraulic—mechanical (Budd Disk)	
Communication	Radio	Intra-tank phone

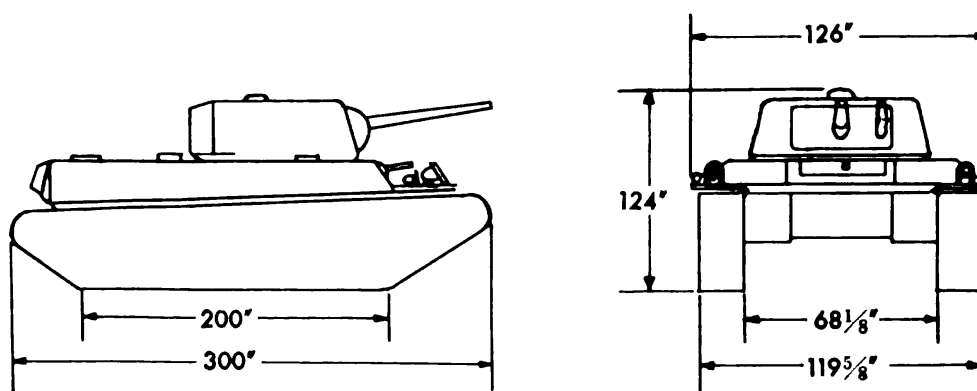
PERFORMANCE

Maximum gradability	(percent)	60
Turning radius	(ft)	28
Fording depth	(in.)	36
Maximum width of ditch vehicle will cross	(in.)	132
Maximum vertical obstacle vehicle will climb	(in.)	42
Fuel consumption, average conditions	(miles per gal)	.3
Cruising range, average conditions	(miles)	100
Maximum allowable speed	(mph)	13

RA PD 309125

Classification:

Purpose: To provide firepower, mobility, and crew protection for offensive combat.



SECTION VI—TANKS
TANK, HEAVY, T1E1

GENERAL DATA

Crew		6
Weight	Gross	(approx.) (lb) 120,000
Shipping dimensions	(cu ft) 2,442	(sq ft) 244
Track width		(in.) 25 ³ / ₄
Ground clearance		(in.) 20 ¹ / ₂
Ground pressure		(lbs per sq in.) 12.5
Electrical system		(volts) 24
Capacities	Fuel, 80 octane gasoline	(gal) 322
	Oil tank	(qt) 98
	Cooling system	Air cooled
Brakes	Electric control, mechanical parking	
Communication	Radio	Interphone

PERFORMANCE

Maximum gradability	(percent)	60
Turning radius	On axis	
Fording depth	(in.)	36
Maximum width of ditch vehicle will cross	(in.)	132
Maximum vertical obstacle vehicle will climb	(in.)	42
Fuel consumption, average conditions	(miles per gal)	.3
Cruising range, average conditions	(miles)	100
Maximum allowable speed	(mph)	22

ENGINE

Manufacturer	Wright	Model G-200
Type	Radial, 4 cycle	Number of cylinders 9
Displacement		(cu in.) 1,823
Governed speed		(rpm) 1,950
Brake horsepower		775
Ignition type		Magneto

ADDITIONAL DATA

.....

TM 9-2800

**STANDARD MILITARY MOTOR VEHICLES
VEHICLE, TANK RECOVERY, T-2**

Technical Manuals: TM 9-739, TM 9-1739. **Parts List:** SNL G-169

Manufacturer: Baldwin Locomotive Works.

Armament: Two Guns, machine, cal. .30, M1919A4.

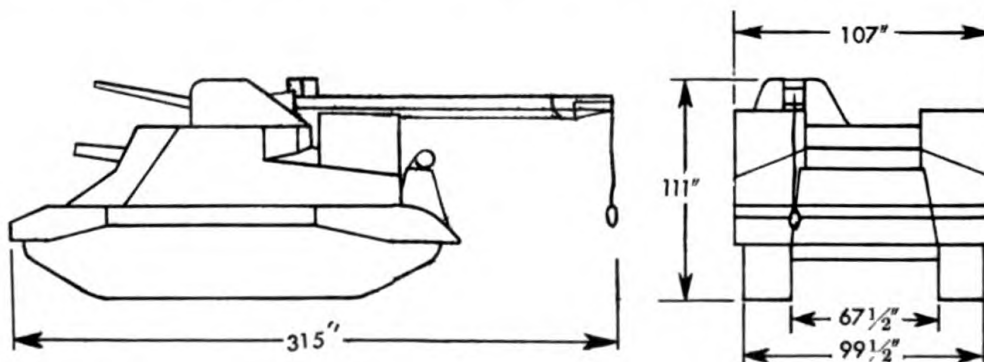
Ammunition: 2,000 rounds, cal. .30; 14 hand grenades; 3 smoke pots.



RA PD 66694

Classification: None

Purpose: To recover tanks disabled on battlefield.



SECTION VII—TANK TRANSPORT AND RECOVERY VEHICLES
VEHICLE, TANK RECOVERY, T-2

GENERAL DATA

Crew		6
Weight	Net (w/o armament fuel and crew)..... (lb)	65,620
Shipping dimensions, w/o crane mounted (cu ft)	1736 (sq ft)	169
Track width	(in.)	16 ⁹ / ₁₆
Ground clearance	(in.)	15
Ground pressure: (fully equipped)	(lbs per sq in.)	12.5
Electrical system	(volts)	12
Capacities	Fuel, 80 octane gasoline	175
	Cooling system	Air cooled
	Oil tank	36
	Transmission and differential	144
Brakes	Mechanical	

PERFORMANCE

Maximum gradability	(percent)	35
Turning radius	(ft)	35
Fording depth	(in.)	42
Maximum width of ditch vehicle will cross	(in.)	72
Maximum vertical obstacle vehicle will climb	(in.)	24
Fuel consumption, average conditions	(miles per gal)	.75
Cruising range, average conditions	(miles)	100
Maximum allowable speed	(mph)	25
	1st 2nd 3rd 4th 5th	
	Cruising speed	2 5 9 14 21

ENGINE

Manufacturer	Continental	Model R-975-C1	
Type	Radial, 4 cycle	Number of cylinders	9
Displacement		(cu in.)	973
Governed speed		(rpm)	2,100
Brake horsepower			400

ADDITIONAL DATA

Winch capacity	(lb)	60,000
Basic chassis	Medium Tank M3	

*Some Models are powered with two General Motors, Diesel engines, Series 71, Model 6046. 375 Brake horsepower (both engines) using Diesel fuel oil of 50 cetane.

Power operated crane mounted on turret.

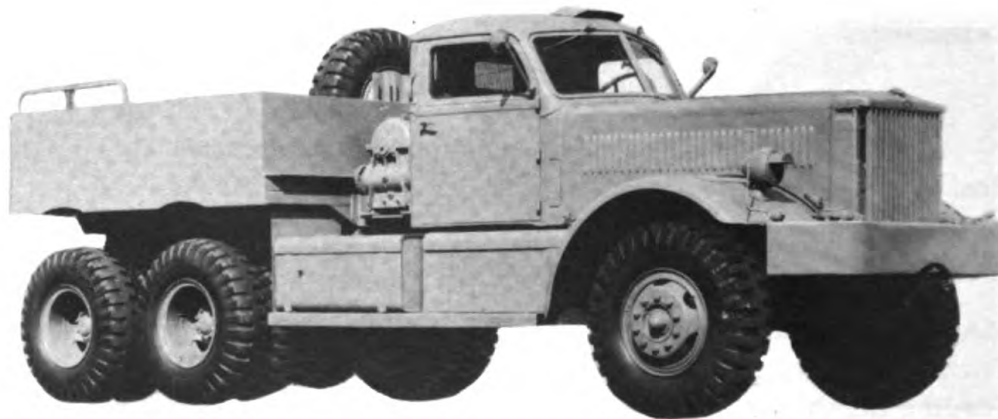
TM 9-2800

STANDARD MILITARY MOTOR VEHICLES
TRUCK-TRAILER, 45-TON, TANK TRANSPORTER, M19
TRUCK, 12-TON, 6 x 4, M20

Technical Manuals: TM 10-1225.

Parts List: SNL G-159

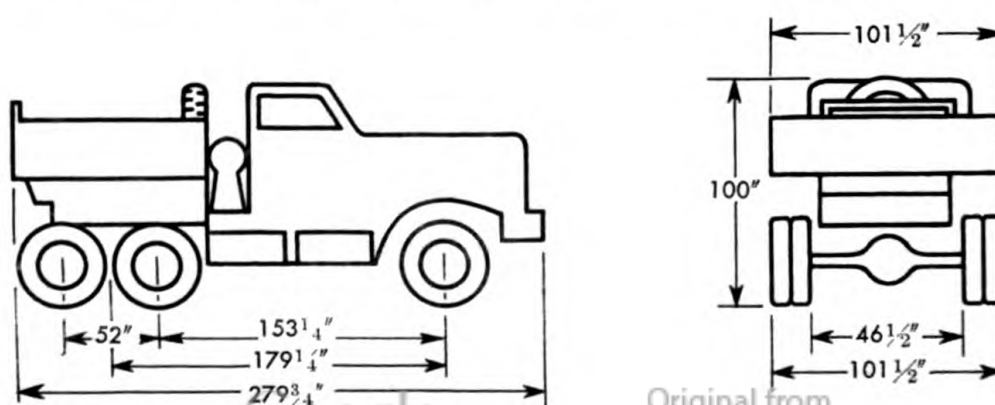
Manufacturer: Diamond T Motor Car Co., Model 980-981



RA PD 66686

Classification: Limited standard

Purpose: To recover and transport damaged tanks and materiel weighing up to 90,000 pounds in connection with Trailer, 45-ton, 12-wheel, M9, component of 45-ton tank transporter truck-trailer, M19.



Digitized by Google

**SECTION VII—TANK TRANSPORT AND RECOVERY VEHICLES
TRUCK-TRAILER, 45-TON, TANK TRANSPORTER, M19
TRUCK, 12-TON, 6 x 4, M20**

GENERAL DATA

Crew		2
Weight	Net	26,600
	Payload	18,400
	Gross	45,000
Shipping dimensions	(cu ft) 1,620	(sq ft) 194
Tires	Ply . . . 14	Size . . . 12.00 x 20
Tread, center to center (in.)	Front 75 ⁷ / ₈	Rear 74
Ground clearance		(in.) 11 ¹ / ₈
Electrical system		(volts) 6
Capacities	Fuel, 50 cetane Diesel fuel oil . .	(gal) 150
	Cooling system	(qt) 61
	Crankcase (refill)	(qt) 26
Brakes		Air

PERFORMANCE

Maximum gradability	(percent)	25
Turning radius (ft)	Right 32 ¹ / ₂	Left 36
Fording depth	(in.)	32
Angle of approach	(deg)	40 ¹ / ₂
Angle of departure	(deg)	51
Fuel consumption, average conditions, with towed load	(miles per gal)	2
Cruising range, average conditions	(miles)	300
Maximum allowable speed	(mph)	22
Number of speeds forward		5

ENGINE

Manufacturer	Hercules	Model DFXE
Type	Diesel, 4 cycle	Number of cylinders 6
Displacement	(cu in.)	893
Governed speed	(rpm)	1,600
Brake horsepower		
Ignition type	Compression	

ADDITIONAL DATA

Winch capacity	(lb)	40,000
Was equipped with open cab and provision for truck mount M36 for anti-aircraft machine gun after August 1943.		
Winch mounted in center.		

TM 9-2800

STANDARD MILITARY MOTOR VEHICLES
TRUCK-TRAILER, 45-TON, TANK TRANSPORTER, M19
TRAILER, 45-TON, 12-WHEEL, M9

Technical Manuals: TM 10-1242.

Parts List: SNL G-159

Manufacturers: Fruehauf Trailer Co.; Pointer Willamette Co.; Rogers Brothers; Winter-Weiss Co.

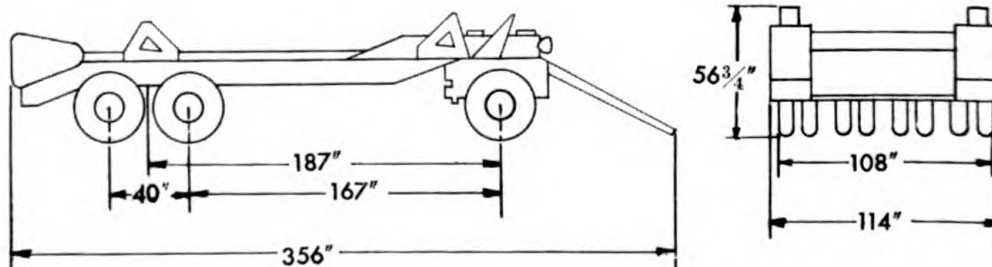


RA PD 308935

Vehicle illustrated above: Fruehauf Trailer Co.

Classification: Limited standard

Purpose: To recover and transport damaged tanks and materiel weighing up to 90,000 pounds in connection with truck M20, component of 45-ton tank transporter truck-trailer, M19.



**SECTION VII—TANK TRANSPORT AND RECOVERY VEHICLES
TRUCK-TRAILER, 45-TON, TANK TRANSPORTER, M19
TRAILER, 45-TON, 12-WHEEL, M9**

GENERAL DATA

Body type	Tank recovery	
Weight	Net	(lb) 22,000
	Payload	(lb) 90,000
	Gross	(lb) 112,000
Loading height, loaded		(in.) 39
Ground clearance		(in.) 12
Tires	Operating	24
	Spares	2
	Ply	14
	Size	8.25 x 15
Brakes	Air	
Towing tractor	Truck, 12-ton, 6 x 4, M20	
Shipping dimensions	(cu ft)	(sq ft)

ADDITIONAL DATA

.....

TM 9-2800

STANDARD MILITARY MOTOR VEHICLES
TRUCK-TRAILER, 40-TON, TANK RECOVERY, M25
TRUCK-TRACTOR, M26

Technical Manuals: TM 9-767, TM 9-1767, Parts List: SNL G-160
TM 9-1767A, TM 9-1767B, TM 9-1767C.

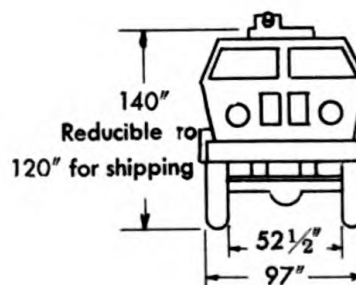
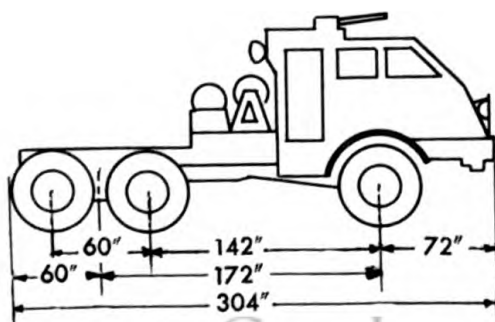
Manufacturer: Pacific Car and Foundry Co.



RA PD 308932

Classification: Standard

Purpose: To recover and transport damaged tanks and materiel weighing up to 80,000 pounds in connection with semitrailer M15, component of 40-ton tank recovery truck-trailer M25.



Digitized by Google

Original from
UNIVERSITY OF CALIFORNIA

SECTION VII—TANK TRANSPORT AND RECOVERY VEHICLES
TRUCK-TRAILER, 40-TON, TANK RECOVERY, M25
TRUCK-TRACTOR, M26

GENERAL DATA

Crew		7
Weight	Net	(lb) 48,000
	Fifth wheel load	(lb) 55,000
	Gross	(lb) 103,000
	Semitrailer maximum gross	(lb) 116,300
Shipping dimensions	(cu ft)	(sq ft)
Tires .. Ply (combat) 20 .. (desert) 14	Size ...	14.00 x 24
Tread, center to center (in.)	Front 82	Rear 98
Ground clearance		14 ¹ / ₄
Electrical system		(volts) 12
Capacities	Fuel, 70 octane gasoline	(gal) 120
	Cooling system	(qt) 58
	Crankcase	(qt)
Brakes		Air

PERFORMANCE

Maximum gradability	(percent)	30
Turning radius	(ft)	46
Fording depth	(in.)	42
Angle of approach	(deg)	32 ¹ / ₂
Fuel consumption, average conditions	(miles per gal)	2.2
Cruising range, average conditions	(miles)	265
Maximum allowable speed	(mph)	28
Number of speeds forward		12

ENGINE

Manufacturer	Hall-Scott	Model 440
Type	In-line, 4 cycle	Number of cylinders 6
Displacement		(cu in.) 1,090
Governed speed		(rpm) 2,100
Brake horsepower		270
Ignition type		Battery

ADDITIONAL DATA

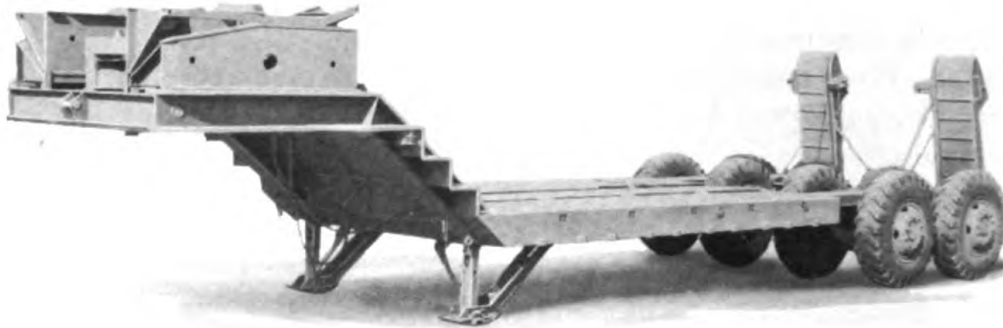
Winch capacity (lb) ... Front 35,000 ... Rear (2) each 60,000

.....

STANDARD MILITARY MOTOR VEHICLES TRUCK-TRAILER, 40-TON, TANK RECOVERY, M25 SEMITRAILER, M15

Technical Manuals: TM 9-767, TM 9-1767D. Parts List: SNL G-160

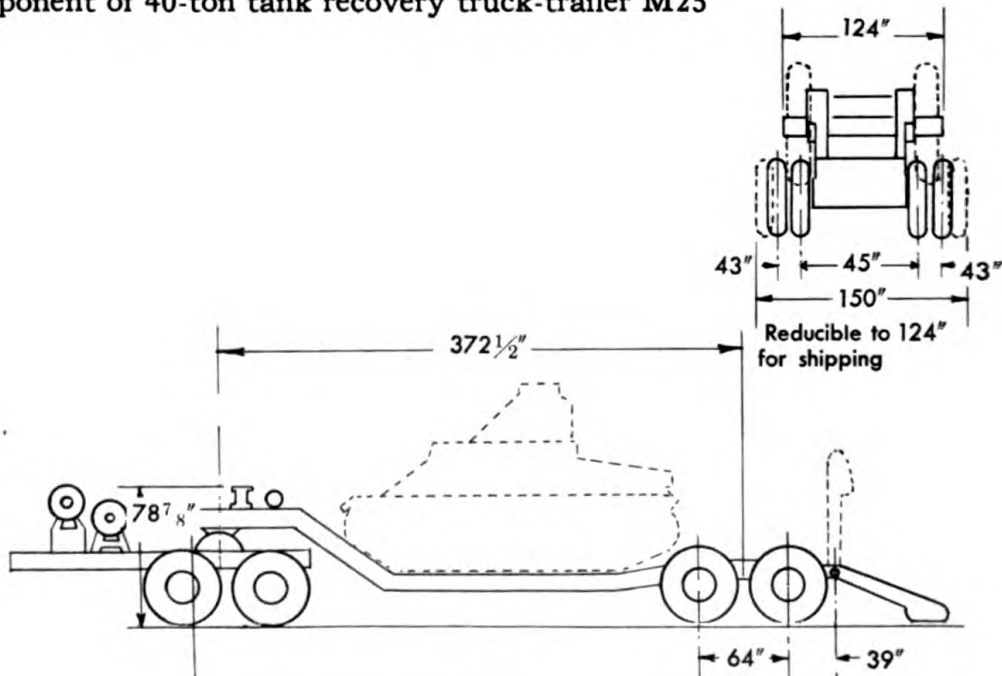
Manufacturer: Fruehauf Trailer Co.



RA PD 308912

Classification: Standard

Purpose: To recover and transport damaged tanks and materiel weighing up to 80,000 pounds in connection with truck-tractor M26. Component of 40-ton tank recovery truck-trailer M25



111 7-2000

SECTION VII—TANK TRANSPORT AND RECOVERY VEHICLES
TRUCK-TRAILER, 40-TON, TANK RECOVERY, M25
SEMITRAILER, M15

GENERAL DATA

Body type	Low-bed platform	
Trailer weight	Net(lb)	36,300
	Payload(lb)	80,000
	Gross(lb)	116,300
Loading height	(in.)	40½
Tires	Operating	8
	Ply ... (combat) 20... (desert)... 14	
	Size	14.00 x 24
Tread	(reducible to 124 inches).....(in.)	131
Brakes	Air	
Towing tractor	Truck-tractor M26	
Ground clearance, under bed	(in.)	28

ADDITIONAL DATA

.....

.....

.....

.....

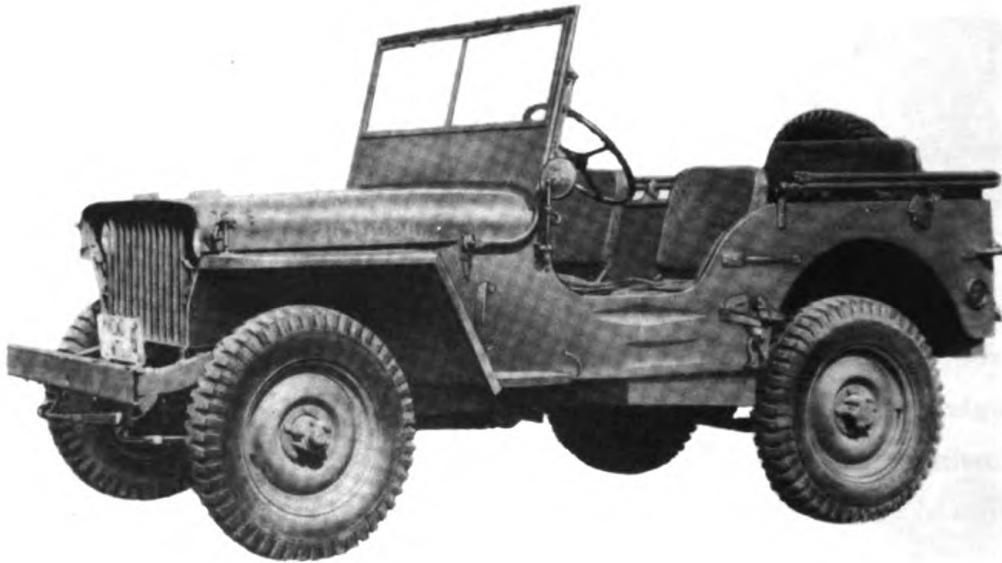
Generated on 2013-05-07 16:46 GMT / http://hdl.handle.net/2027/uc1.b3244022
 Public Domain, Google-digitized / http://www.hathitrust.org/access_use#pd-google

**STANDARD MILITARY MOTOR VEHICLES
TRUCK, ¼-TON, 4 x 4**

Technical Manuals: Willys-Overland,
TM 10-1103, TM 10-1513.
Ford, TM 10-1101 (C1), TM 10-1349.

Parts List: SNL G-503

Manufacturers: Willys-Overland Motors, Inc.; Ford Motor Co.

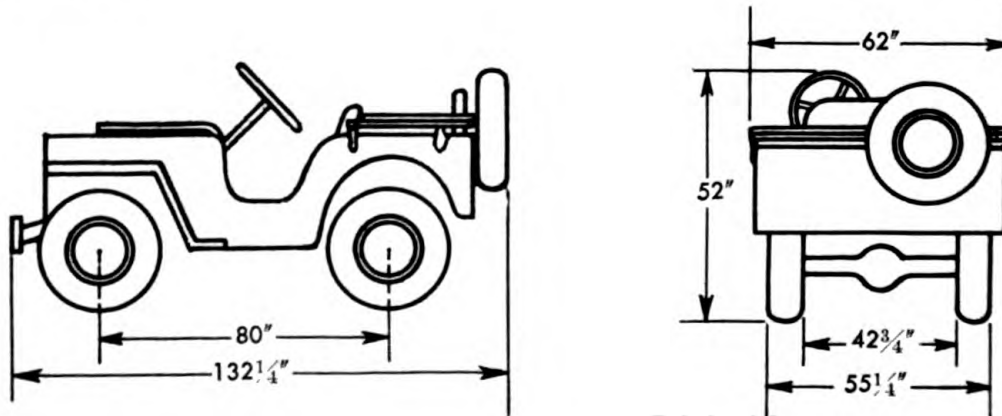


RA PD 66539

Vehicle illustrated above: Willys-Overland

Classification: Standard

Purpose: To carry personnel, primarily for reconnaissance; to transport light cargo; to tow 37-mm antitank gun. (Popularly known as "THE JEEP").



SECTION VIII—TRUCKS
TRUCK, ¼-TON, 4 x 4

GENERAL DATA

Crew, operating 2.....	Passenger capacity, including crew	5
Weight.....	Net.....(lb)	2,453
	Payload.....(lb)	800
	Gross.....(lb)	3,253
Shipping dimensions.....	(cu ft) 331.....(sq ft) 57	
Tires.....	Ply... 6.....Size... 6.00 x 16	
Ground clearance.....(in.)	8¾
Tread, center to center.....(in.)	49
Electrical system.....(volts)	6
Capacities.....	Fuel, 68 octane gasoline... (gal)	15
	Cooling system.....(qt)	11
	Crankcase (refill).....(qt)	5
Brakes.....	Hydraulic (Bendix)	

PERFORMANCE

Maximum gradability.....(percent)	60
Turning radius (ft).....	Right 17.....Left 18½	
Fording depth.....(in.)	18
Angle of approach.....(deg)	45
Angle of departure.....(deg)	35
Fuel consumption, average conditions.....(miles per gal)	20
Cruising range, average conditions.....(miles)	300
Maximum allowable speed.....(mph)	65
Number of speeds forward, with transfer case.....		6

ENGINE

Manufacturer.....	Willys-Overland.....	Model MB
Type.....	In-line, 4 cycle.....	Number of cylinders 4
Displacement.....(cu in.)	134.2
Governed speed.....	Not governed
Brake horsepower.....		60
Ignition.....	Battery

ADDITIONAL DATA

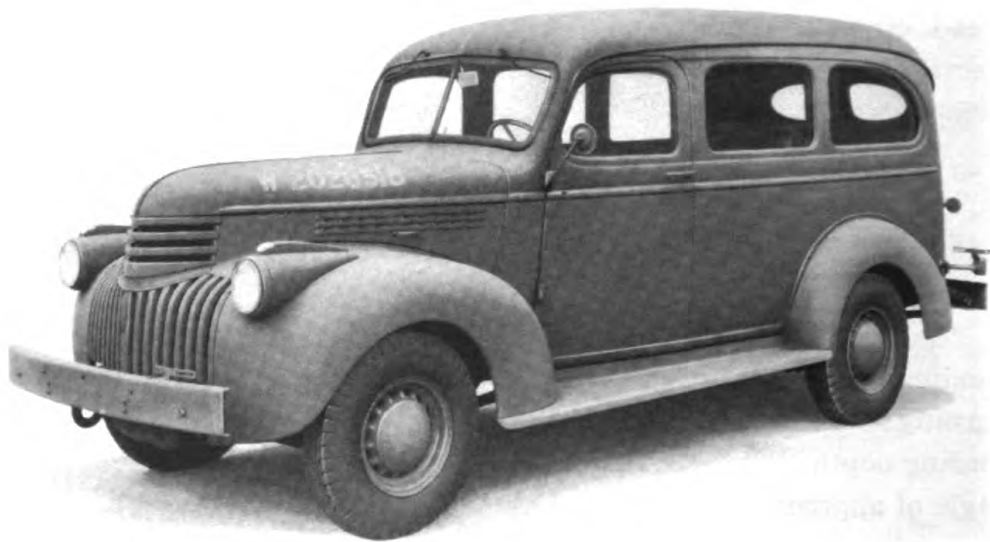
.....

STANDARD MILITARY MOTOR VEHICLES TRUCK, CARRYALL, 1/2-TON, 4 x 2

Technical Manuals: Chevrolet,
TM 10-1305, TM 10-1247.
Dodge, TM 10-1155,
TM 10-1379.

Parts Lists: SNL G-612 (Chev.)
SNL G-613 (Dodge)

Manufacturers: Chevrolet Motor Div. (General Motors Corp.); Dodge
Brothers Corp. (Div. of Chrysler Corp.).

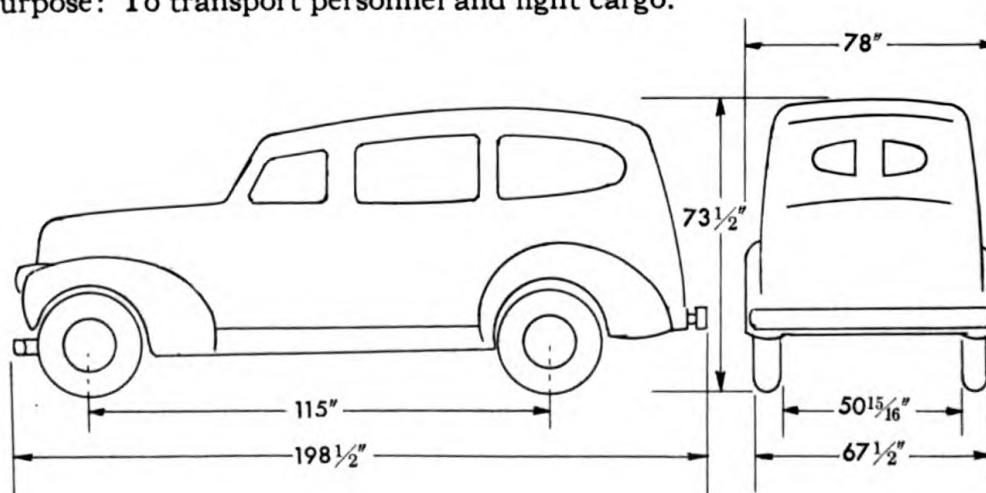


RA PD 308916

Vehicle illustrated above: Chevrolet.

Classification: Standard

Purpose: To transport personnel and light cargo.



SECTION VIII—TRUCKS

TRUCK, CARRYALL, 1/2-TON, 4 x 2

Tread, center to center (in.) Front 56 1/2 Rear 59 1/4

GENERAL DATA

Crew		2
Weight	Net (lb)	3,625
	Payload (lb)	1,000
	Gross (lb)	4,625
Shipping dimensions	(cu ft) (sq ft)	
Tires	Ply . . . 6 Size . . . 7.50 x 15	
Ground clearance	(in.)	8 1/2
Electrical system	(volts)	6
Capacities	Fuel, 70 octane gasoline . . . (gal)	16
	Cooling system (qt)	
	Crankcase (refill) (qt)	6
Brakes	Hydraulic	

PERFORMANCE

Maximum gradability	(percent)	32
Turning radius (ft)	Right 19 1/2 Left 20	
Fording depth	(in.)	
Angle of approach	(deg)	
Angle of departure	(deg)	
Fuel consumption, average conditions	(miles per gal)	11
Cruising range, average conditions	(miles)	176
Maximum allowable speed	(mph)	
Number of speeds forward		3

ENGINE

Manufacturer	Chevrolet	Model 1942
Type	In-line, 4 cycle	Number of cylinders 6
Displacement	(cu in.)	216.5
Governed speed	(rpm)	
Brake horsepower		
Ignition type	Battery	

ADDITIONAL DATA

.....

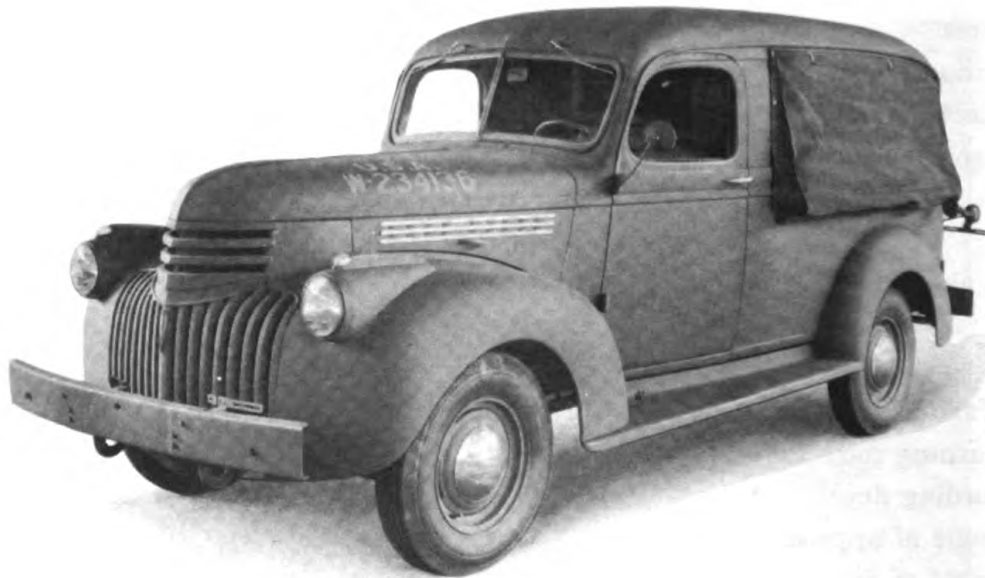
Generated on 2013-05-07 16:44 GMT / http://hdl.handle.net/2027/uc1.b3244022
 Public Domain, Google-digitized / http://www.hathitrust.org/access_use#pd-google

**STANDARD MILITARY MOTOR VEHICLES
TRUCK, CANOPY EXPRESS, 1/2-TON, 4 x 2**

Technical Manual: TM 10-1465.

Parts List: SNL G-612

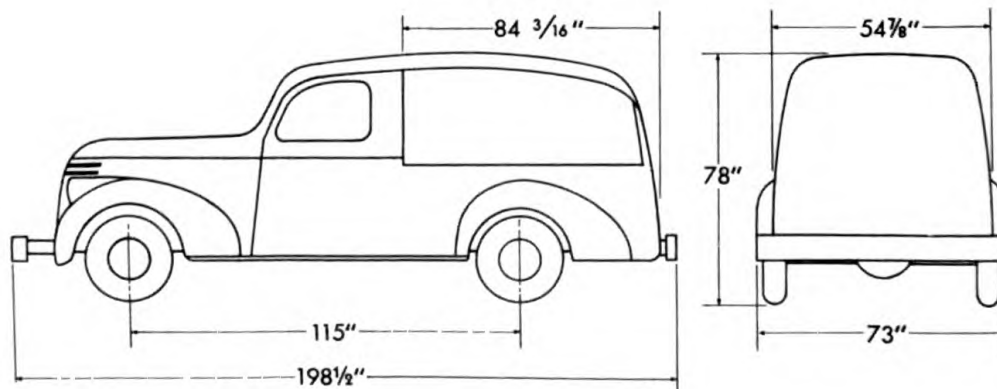
Manufacturer: Chevrolet Motor Div. (General Motors Corp.).



RA PD 309122

Classification: Standard

Purpose: To transport light cargo.



SECTION VIII—TRUCKS
TRUCK, CANOPY EXPRESS, 1/2-TON, 4 x 2

GENERAL DATA

Crew		2
Weight	Net.....(lb)	3,395
	Payload.....(lb)	1,000
	Gross.....(lb)	4,395
Shipping dimensions.....	(cu ft)(sq ft)	
Tires.....	Ply ... 6 Size ... 6.50 x 16	
Ground clearance.....	(in.)	
Electrical system.....	(volts)	6
Capacities.....	Fuel, 70 octane gasoline....(gal)	16
	Cooling system.....(qt)	14
	Crankcase (refill).....(qt)	6
Brakes.....	Hydraulic	

PERFORMANCE

Maximum gradability.....	(percent)	
Turning radius (ft).....	Right 19½..... Left 20	
Fording depth.....	(in.)	
Angle of approach.....	(deg)	
Angle of departure.....	(deg)	
Fuel consumption, average conditions.....	(miles per gal)	11
Cruising range, average conditions.....	(miles)	176
Maximum allowable speed.....	(mph)	
Number of speeds forward.....		

ENGINE

Manufacturer.....	Chevrolet.....	Model 1942 BD 1001 up	
Type.....	In-line, 4 cycle.....	Number of cylinders	6
Displacement.....	(cu in.)		216.5
Governed speed.....	(rpm)		
Brake horsepower.....			
Ignition type.....	Battery		

ADDITIONAL DATA

.....

TM 9-2800

**STANDARD MILITARY MOTOR VEHICLES
TRUCK, PANEL DELIVERY, 1/2-TON, 4 x 2**

Technical Manuals: Chevrolet,
TM 10-1305, TM 10-1165,
TM 10-1465.
Dodge, TM 10-1155,
TM 10-1379.

Parts Lists: SNL G-612 (Chev.)
SNL G-613 (Dodge)

Manufacturers: Chevrolet Motor Div. (General Motors Corp.); Dodge
Brothers Corp. (Div. of Chrysler Corp.)

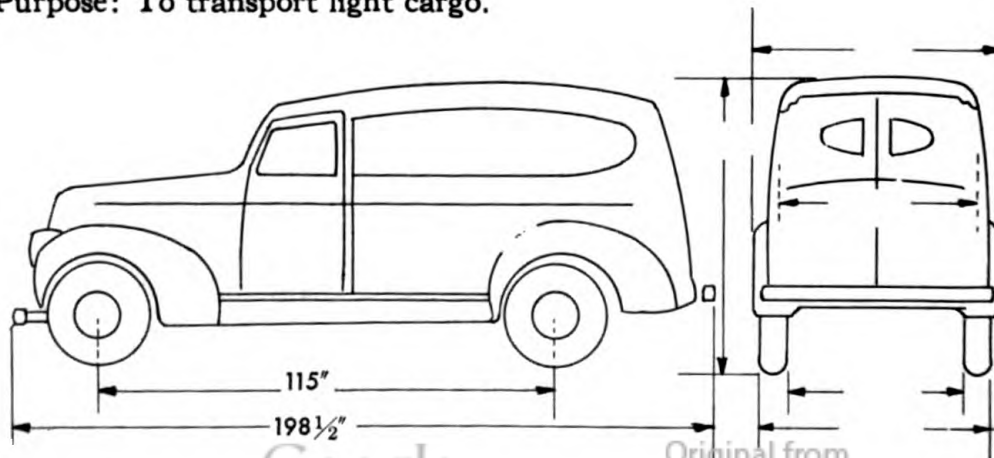


RA PD 308915

Vehicle illustrated above: Chevrolet

Classification: Standard

Purpose: To transport light cargo.



Digitized by Google

Original from
UNIVERSITY OF CALIFORNIA

SECTION VIII—TRUCKS
TRUCK, PICKUP, 1/2-TON, 4 x 2

GENERAL DATA

Crew		2
Weight	Net.....(lb)	3,385
	Payload.....(lb)	1,000
	Gross.....(lb)	4,385
Shipping dimensions.....	(cu ft)	(sq ft)
Tires	Ply ... 6	Size ... 7.50 x 16
Tread, center to center (in.)	Front 56 1/2.....	Rear 59 1/4
Ground clearance.....		8 1/2
Electrical system.....		6
Capacities.....	Fuel, 70 octane gasoline....(gal)	18
	Cooling system.....(qt)	14
	Crankcase (refill).....(qt)	6
Brakes		Hydraulic

PERFORMANCE

Maximum gradability.....	(percent)	33 1/2
Turning radius (ft).....	Right 19 1/2.....	Left 20
Fording depth.....	(in.)	
Angle of approach.....	(deg)	
Angle of departure.....	(deg)	
Fuel consumption, average conditions.....	(miles per gal)	11
Cruising range, average conditions.....	(miles)	198
Maximum allowable speed.....	(mph)	
Number of speeds forward.....		3

ENGINE

Manufacturer.....	Chevrolet.....	Model 1942 BD 1,000 up	
Type.....	In-line, 4 cycle.....	Number of cylinders	6
Displacement.....		(cu in.)	216.5
Governed speed.....		(rpm)	
Brake horsepower.....			
Ignition type.....		Battery	

ADDITIONAL DATA

.....

.....

.....

.....

.....

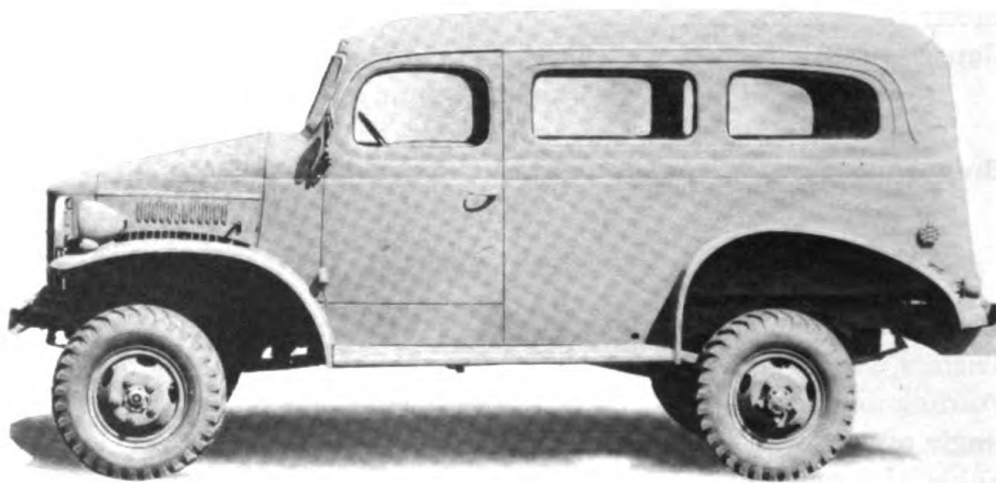
TM 9-2800

**STANDARD MILITARY MOTOR VEHICLES
TRUCK, CARRYALL, 1/2-TON, 4 x 4**

Technical Manuals: TM 10-1181,
TM 10-1123 (C1),
TM 10-1201 (C1),
TM 10-1153, TM 10-1443.

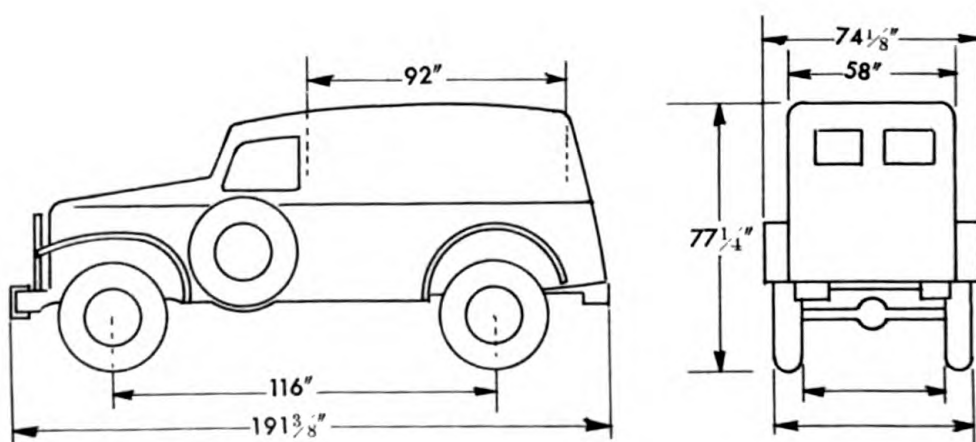
Parts List: SNL G-505

Manufacturer: Dodge Brothers Corp. (Div. of Chrysler Corp.)



Classification: Limited standard
Purpose: To transport light cargo.

RA PD 309091



SECTION VIII—TRUCKS
TRUCK, CARRYALL, 1/2-TON, 4 x 4

GENERAL DATA

Crew		2
Weight	Net	3,595
	Payload	1,000
	Gross	4,595
Shipping dimensions	(cu ft) 673	(sq ft) 96
Tires	Ply ... 8	Size ... 7.50 x 16
Ground clearance		(in.) 9
Tread, center to center (in.)	Front 59 ³ / ₈	Rear 61 ³ / ₈
Electrical system		(volts) 6
Capacities	Fuel, 70 octane gasoline ...	(gal) 18
	Cooling system	(qt) 17
	Crankcase (refill)	(qt) 5
Brakes		Hydraulic

PERFORMANCE

Maximum gradability		(percent) 64
Turning radius (ft)	Right 19	Left 24 ¹ / ₄
Fording depth		(in.)
Angle of approach		(deg) 62 ¹ / ₂
Angle of departure		(deg) 31 ¹ / ₂
Fuel consumption, average conditions		(miles per gal) 13
Cruising range, average conditions		(miles) 235
Maximum allowable speed		(mph)
Number of speeds forward		4

ENGINE

Manufacturer	Dodge	Model T-112
Type	In-line, 4 cycle	Number of cylinders 6
Displacement		(cu in.) 217.7
Governed speed		(rpm) 1,200-1,900
Brake horsepower		
Ignition type		Battery

ADDITIONAL DATA

.....

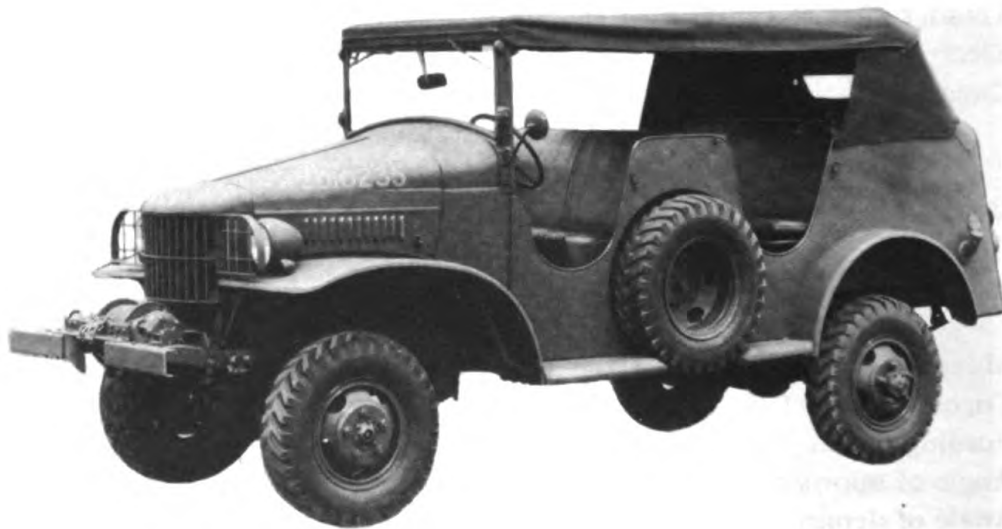
TM 9-2800

STANDARD MILITARY MOTOR VEHICLES

TRUCK, COMMAND RECONNAISSANCE, 1/2-TON, 4 x 4

Technical Manuals: TM 10-1181, TM 10-1195, Parts List: SNL G-505
TM 10-1211, TM 10-1123 (C1),
TM 10-1201 (C1), TM 10-1153,
TM 10-1209, TM 10-1443.

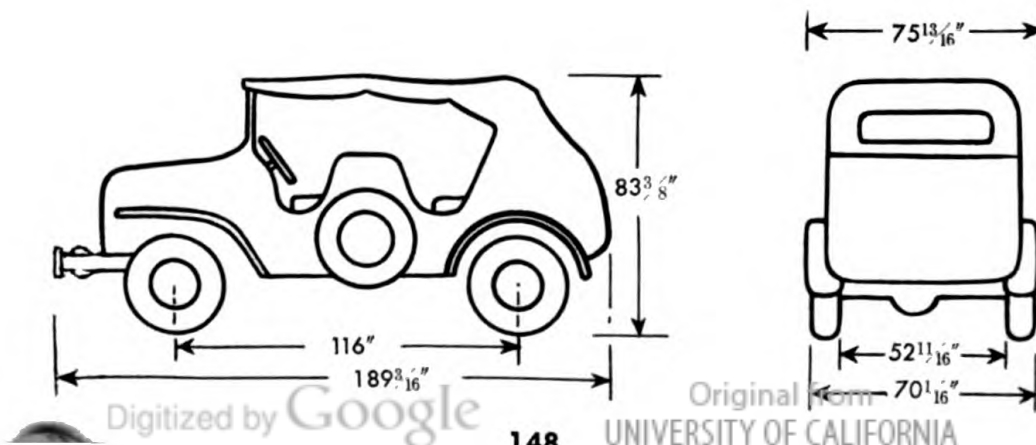
Manufacturer: Dodge Brothers Corp. (Div. of Chrysler Corp.)



RA PD 66337

Classification: Limited standard

Purpose: To provide transportation for staff officers in the field.



SECTION VIII—TRUCKS

TRUCK, COMMAND RECONNAISSANCE, ½-TON, 4 x 4

GENERAL DATA

Crew, operating 2	Passenger capacity including crew	5
Weight	Net (lb)	4,600*
	Payload (lb)	1,000*
	Gross (lb)	5,600*
Shipping dimensions	(cu ft) (sq ft)	
Tires	Ply . . . 6 Size . . . 7.50 x 16	
Ground clearance	(in.)	9
Electrical system	(volts)	6
Capacities	Fuel, 70 octane gasoline . . . (gal)	25
	Cooling system (qt)	17
	Crankcase (refill) (qt)	5
Brakes	Hydraulic	

PERFORMANCE

Maximum gradability	(percent)	62
Turning radius	(ft)	25½
Fording depth	(in.)	
Angle of approach (deg)	With winch 45 . . Without winch 62½	
Angle of departure	(deg)	31½
Fuel consumption, average conditions	(miles per gal)	12
Cruising range, average conditions	(miles)	300
Maximum allowable speed	(mph)	56
Number of speeds forward		3

ENGINE

Manufacturer	Dodge	Model T-215
Type	In-line, 4 cycle	Number of cylinders 6
Displacement	(cu in.)	230.2
Governed speed	(rpm)	
Brake horsepower		
Ignition type	Battery	

ADDITIONAL DATA

Winch capacity	(lb)	5000
--------------------------	------	------

*Figures given are for vehicles without winch. For vehicles with winch use the following data:

Weight (lb)	Net 4,900	Payload 700	Gross 5,600
-----------------------	---------------------	-----------------------	-------------

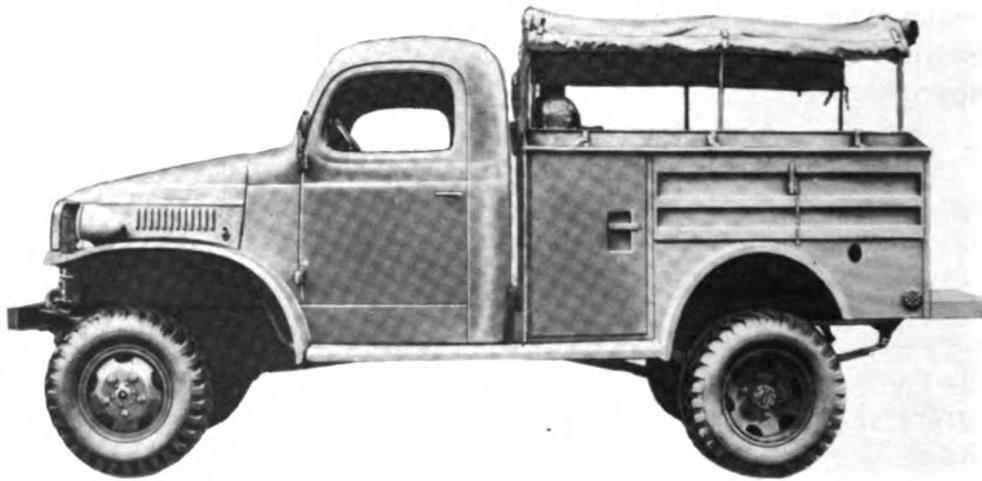
TM 9-2800

**STANDARD MILITARY MOTOR VEHICLES
TRUCK, EMERGENCY REPAIR, 1/2-TON, 4 x 4**

Technical Manual: TM 10-1443.

Parts List: SNL G-505

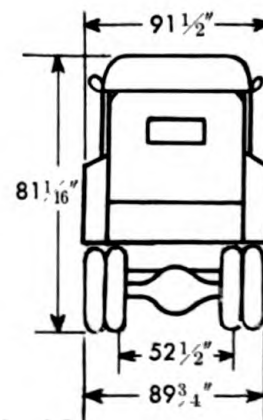
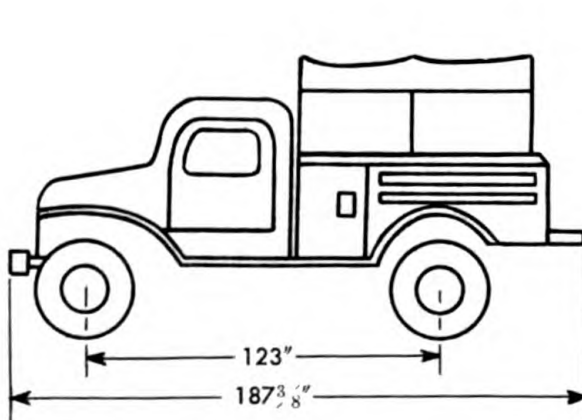
Manufacturer: Dodge Brothers Corp. (Div. of Chrysler Corp.)



RA PD 66541

Classification: Standard

Purpose: To provide mobile facilities for emergency ordnance repair.



SECTION VIII—TRUCKS
TRUCK, EMERGENCY REPAIR, 1/2-TON, 4 x 4

GENERAL DATA

Crew		2
Weight	Net	(lb) 5,870
	Payload	(lb) 1,420
	Gross	(lb) 7,290
Shipping dimensions	(cu ft) 804	(sq ft) 119
Tires	Ply ... 6	Size ... 7.50 x 16
Tread, center to center (in.)	Front 59 ³ / ₈	Rear 70 ⁷ / ₈
Ground clearance		(in.) 9
Electrical system		(volts) 6
Capacities	Fuel, 70 octane gasoline	(gal) 25
	Cooling system	(qt) 17
	Crankcase (refill)	(qt) 5
Brakes		Hydraulic

PERFORMANCE

Maximum gradability	(percent)	53
Turning radius	(ft)	27
Fording depth	(in.)	32
Angle of approach	(deg)	62 ¹ / ₂
Angle of departure	(deg)	33
Fuel consumption, average conditions	(miles per gal)	12
Cruising range, average conditions	(miles)	300
Maximum allowable speed	(mph)	55
Number of speeds forward		3

ENGINE

Manufacturer	Dodge	Models T-211, T-215	
Type	In-line, 4 cycle	Number of cylinders	6
Displacement		(cu in.)	230.2
Governed speed		(rpm)	3,100
Brake horsepower			
Ignition type		Battery	

ADDITIONAL DATA

.....

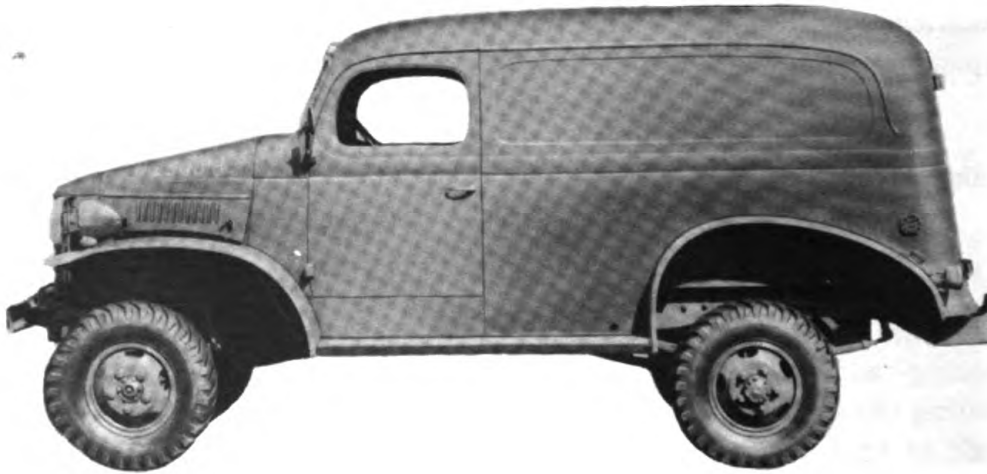
TM 9-2800

STANDARD MILITARY MOTOR VEHICLES
TRUCK, PANEL DELIVERY, 1/2-TON, 4 x 4

Technical Manuals: TM 10-1123 (C1),
TM 10-1201 (C1).

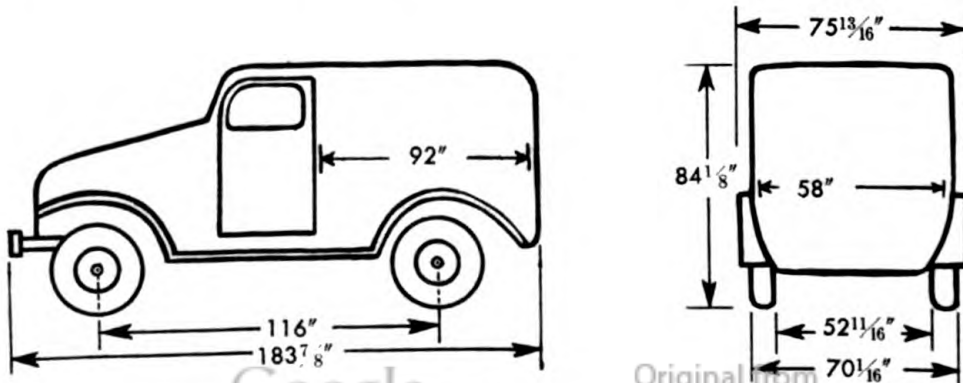
Parts List: SNL G-505

Manufacturer: Dodge Brothers Corp. (Div. of Chrysler Corp.)



RA PD 66543

Classification: Limited standard
Purpose: To transport light cargo.



SECTION VIII—TRUCKS
TRUCK, PICKUP, 1/2-TON, 4x4

GENERAL DATA

Crew		2
Weight	Net	(lb) 4,640*
	Payload	(lb) 1,000*
	Gross	(lb) 5,640*
Shipping dimensions	(cu ft) 644	(sq ft) 95
Tires	Ply ... 8	Size ... 7.50 x 16
Tread, center to center (in.) ..	Front 59 ³ / ₈	Rear 61 ³ / ₈
Ground clearance		(in.) 9
Pintle height (in.)	Loaded 26 ¹ / ₂	Unloaded 28
Electrical system		(volts) 6
Capacities	Fuel, 68 octane gasoline ...	(gal) 25
	Cooling system	(qt) 17
	Crankcase (refill)	(qt) 5
Brakes		Hydraulic

PERFORMANCE

Maximum gradability	(percent)	60
Turning radius	(ft)	25 ¹ / ₂
Fording depth	(in.)	32
Angle of approach (deg) ..	With winch 45 .. Without winch 62 ¹ / ₂	
Angle of departure	(deg)	31 ¹ / ₂
Fuel consumption, average conditions	(miles per gal)	12
Cruising range, average conditions	(miles)	300
Maximum allowable speed	(mph)	55
Number of speeds forward		4

ENGINE

Manufacturer	Dodge	Models T-207, T-211
Type	In-line, 4 cycle	Number of cylinders 6
Displacement		(cu in.) 217.7
Governed speed		(rpm) 3,100
Brake horsepower		
Ignition type		Battery

ADDITIONAL DATA

Winch capacity

(lb)	5,000
------	-------

*Figures given are for vehicles without winch. For vehicles with winch use the following data:

Weight (lb)

Net 4,940	Payload 700	Gross 5,640
-----------------	-------------------	-------------

Model WC-12 after engine No. 42001 and all WC-40 have 230.2 cubic inch displacement. Vehicles so equipped have 65.7 percent maximum gradability.

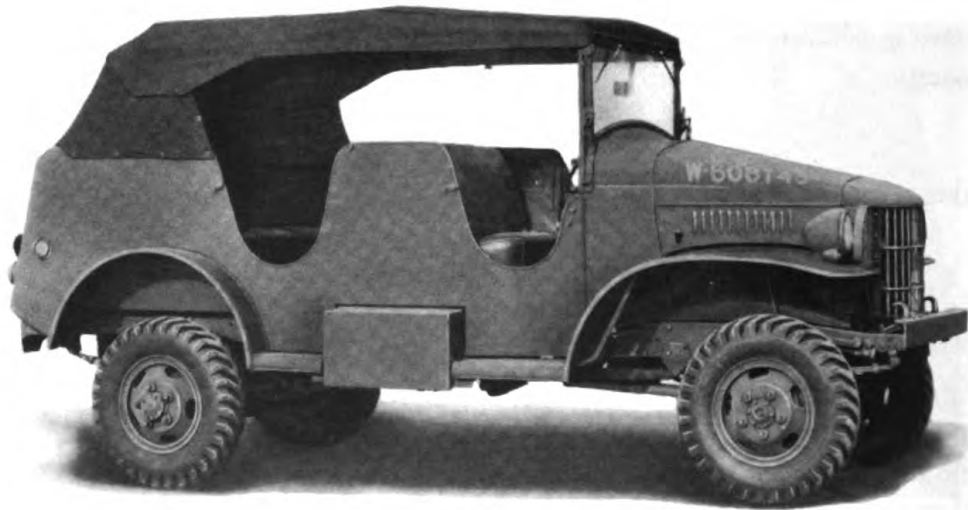
TM 9-2800

**- STANDARD MILITARY MOTOR VEHICLES
TRUCK, RADIO, 1/2-TON, 4 x 4**

**Technical Manuals: TM 10-1123,
TM 10-1181, TM 10-1211,
TM 10-1201, TM 10-1153,
TM 10-1209, TM 10-1443.**

Parts List:

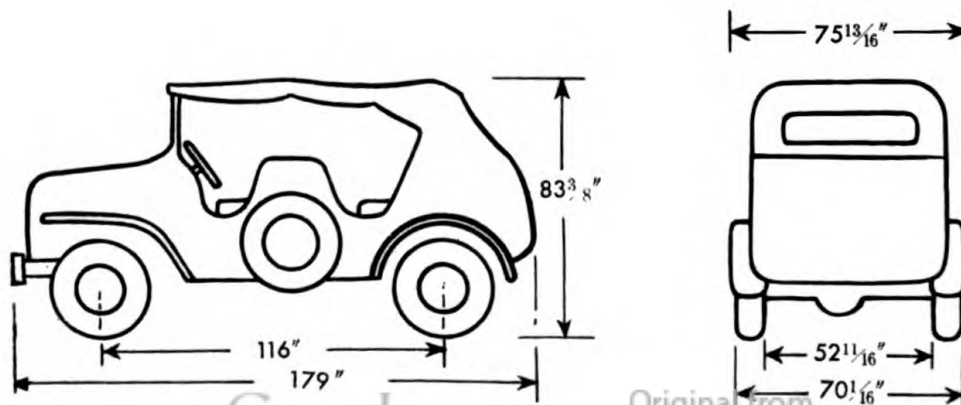
Manufacturer: Dodge Brothers Corp. (Div. of Chrysler Corp.)



RA PD 309119

Classification: Limited standard

Purpose:



Digitized by Google

SECTION VIII—TRUCKS
TRUCK, RADIO, ½-TON, 4 x 4

GENERAL DATA

Crew		2
Weight	Net	(lb) 5,070
	Payload	(lb) 1,000
	Gross	(lb) 6,070
Shipping dimensions	(cu ft)	(sq ft)
Tires	Ply ... 8	Size ... 7.50 x 16
Ground clearance		(in.) 9 ³ / ₈
Tread, center to center (in.) ..	Front 59 ³ / ₈	Rear 61 ³ / ₈
Electrical system		(volts) 12
Capacities	Fuel, 70 octane gasoline ...	(gal) 16
	Cooling system	(qt) 17
	Crankcase (refill)	(qt) 5
Brakes		Hydraulic

PERFORMANCE

Maximum gradability	(percent)	60
Turning radius	(ft)	24
Fording depth	(in.)	32
Angle of approach	(deg)	45
Angle of departure	(deg)	30
Fuel consumption, average conditions ..	(miles per gal)	12
Cruising range, average conditions	(miles)	190
Maximum allowable speed	(mph)	
Number of speeds forward		3

ENGINE

Manufacturer	Dodge	Models T-202, T-215	
Type	In-line, 4 cycle	Number of cylinders	6
Displacement		(cu in.)	230.2
Governed speed		(rpm)	
Brake horsepower			
Ignition type		Battery	

ADDITIONAL DATA

.....

Generated on 2013-05-07 15:20 GMT / http://hdl.handle.net/2027/uc1.b3244022
 Public Domain, Google-digitized / http://www.hathitrust.org/access_use#pd-google

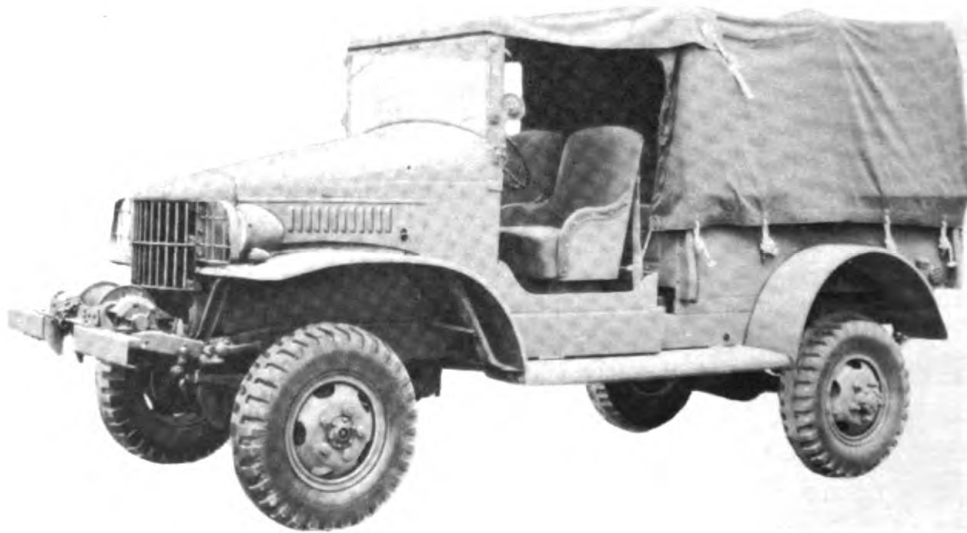
TM 9-2800

**STANDARD MILITARY MOTOR VEHICLES
TRUCK, WEAPONS CARRIER, ½-TON, 4x4**

Technical Manuals: TM 10-1123,
TM 10-1153, TM 10-1443.

Parts List: SNL G-505

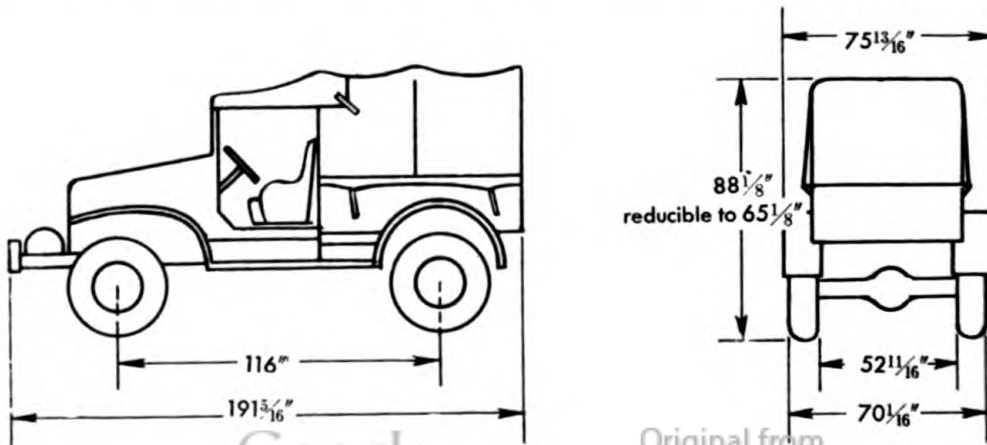
Manufacturer: Dodge Brothers Corp. (Div. of Chrysler Corp.)



RA PD 66549

Classification: Limited standard

Purpose: To transport weapons, personnel, and cargo.



Digitized by Google

Original from
UNIVERSITY OF CALIFORNIA

SECTION VIII—TRUCKS
TRUCK, WEAPONS CARRIER, ½-TON, 4 x 4

GENERAL DATA

Crew.....		2
Weight.....	Net.....	4,240*
	Payload..... (lb)	1,000*
	Gross..... (lb)	5,240*
Shipping dimensions.....	(cu ft) 517..... (sq ft) 95	
Tires.....	Ply... 8..... Size... 7.50 x 16	
Ground clearance.....	(in.)	9
Ground pressure.....	(lb per sq in.)	
Electrical system.....	(volts)	6
Capacities.....	Fuel, 70 octane gasoline... (gal)	25
	Cooling system..... (qt)	17
	Crankcase (refill)..... (qt)	5
Brakes.....	Hydraulic	

PERFORMANCE

Maximum gradability.....	(percent)	62
Turning radius.....	(ft)	25½
Fording depth.....	(in.)	32
Angle of approach.....	(deg)	62
Angle of departure.....	(deg)	31
Fuel consumption, average conditions.....	(miles per gal)	12
Cruising range, average conditions.....	(miles)	250
Maximum allowable speed.....	(mph)	55
Number of speeds forward.....		4

ENGINE

Manufacturer.....	Dodge.....	Models T-207, T-211	
Type.....	In-line, 4 cycle.....	Number of cylinders	6
Displacement.....	Model WC-3.....	(cu in.)	217.7
Governed speed.....		(rpm)	3,100
Brake horsepower.....			
Ignition type.....		Battery	

ADDITIONAL DATA

Model WC-13 after engine No. 42001 and all Model WC-21 have 230.2 cubic inch displacement. Vehicles so equipped have 67.9 percent maximum gradability.

*Figures given are for vehicles without winch. For vehicles with winch use the following data: Weight (lb)... Net 4,775... Payload 1,000... Gross 5,775. Shipping dimensions... (cu ft) 546... (sq ft) 100.

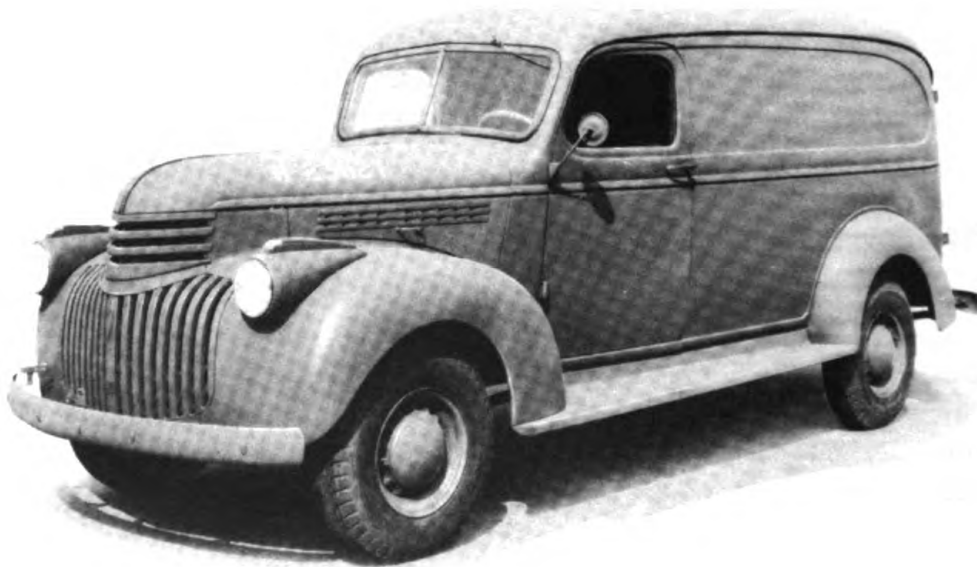
TM 9-2800

**STANDARD MILITARY MOTOR VEHICLES
TRUCK, PANEL DELIVERY, ¾-TON, 4 x 2**

Technical Manual: TM 10-1287

Parts List: SNL G-616

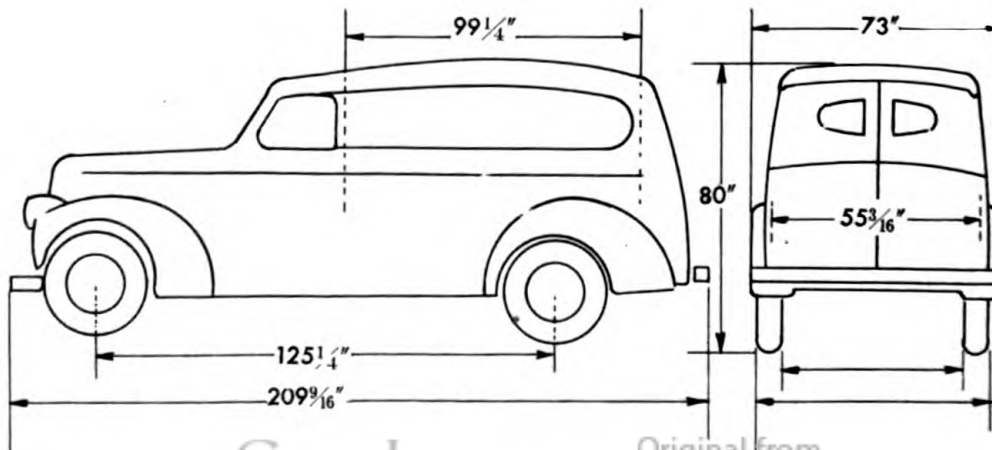
Manufacturer: Chevrolet Motor Div. (General Motors Corp.)



Classification: Limited standard

RA PD 308931

Purpose: To transport light cargo.



Digitized by Google

Original from
UNIVERSITY OF CALIFORNIA

SECTION VIII—TRUCKS
TRUCK, PANEL DELIVERY, ¾-TON, 4 x 2

GENERAL DATA

Crew		2
Weight	Net	3,600
	Payload	1,650
	Gross	5,250
Shipping dimensions	(cu ft)	(sq ft)
Tires	Ply . . . 8 . . . Size . . . Comm. 15 in.	
Tread, center to center		60 ³ / ₈
Ground clearance		(in.)
Electrical system		(volts) 6
Capacities	Fuel, 70 octane gasoline	(gal) 18
	Cooling system	(qt) 18
	Crankcase (refill)	(qt) 6
Brakes		Hydraulic

PERFORMANCE

Maximum gradability		(percent)
Turning radius		(ft) 21 ¹ / ₄
Fording depth		(in.)
Angle of approach		(deg)
Angle of departure		(deg)
Fuel consumption, average conditions		(miles per gal) 10
Cruising range, average conditions		(miles) 180
Maximum allowable speed		(mph)
Number of speeds forward		3

ENGINE

Manufacturer	Chevrolet	Model 1942 ABF	
Type	In-line, 4 cycle	Number of cylinders	6
Displacement		(cu in.)	216.5
Governed speed		(rpm)	
Brake horsepower			90
Ignition type		Battery	

ADDITIONAL DATA

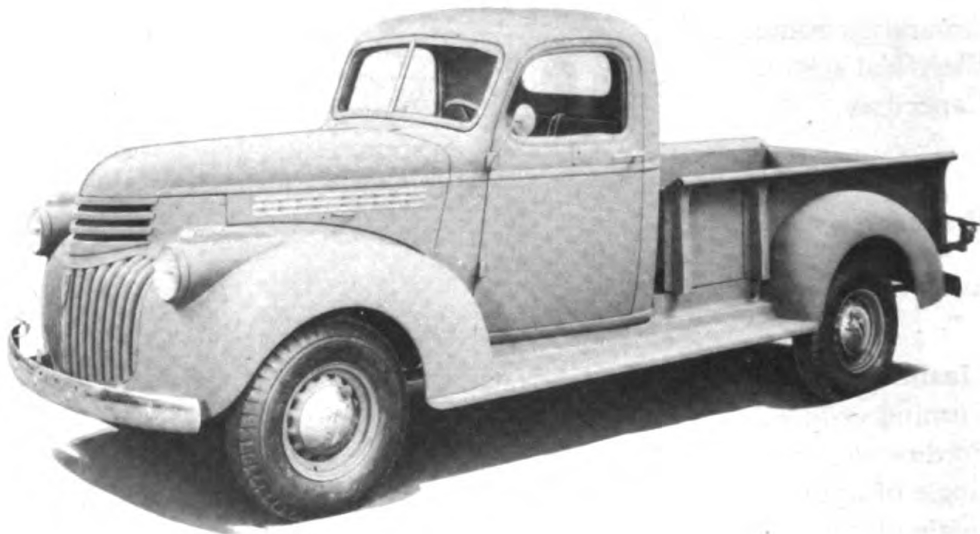
.....

Generated on 2013-05-07 15:18 GMT / http://hdl.handle.net/2027/uc1.b3244022
 Public Domain, Google-digitized / http://www.hathitrust.org/access_use#pd-google

**STANDARD MILITARY MOTOR VEHICLES
TRUCK, PICKUP, 3/4-TON, 4 x 2**

Technical Manuals: TM 10-1163, TM 10-1167, Parts List: SNL G-616
TM 10-1305.

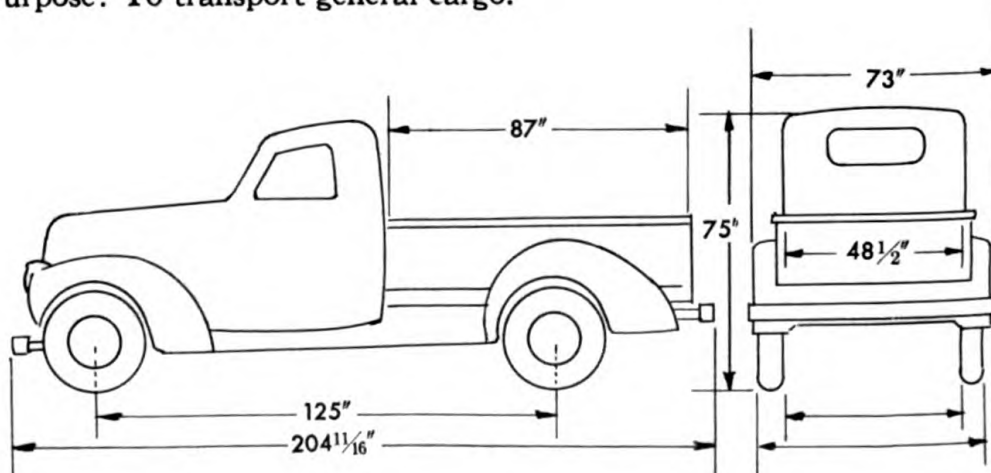
Manufacturer: Chevrolet Motor Div. (General Motors Corp.)



RA PD 308930

Classification: Limited standard

Purpose: To transport general cargo.



SECTION VIII—TRUCKS
TRUCK, PICKUP, ¾-TON, 4 x 2

GENERAL DATA

Crew		2
Weight	Net	3,375
	Payload, includes 160 lb driver ..	1,660
	Gross	5,035
Shipping dimensions	(cu ft)	(sq ft)
Tires	Ply ... 6	Size ... Comm. 15 in.
Ground clearance		8
Tread, center to center		60 ³ / ₈
Electrical system		6
Capacities	Fuel, 70 octane gasoline	18
	Cooling system	14
	Crankcase (refill)	6
Brakes		Hydraulic

PERFORMANCE

Maximum gradability	(percent)	32
Turning radius	(ft)	21 ¹ / ₂
Fording depth	(in.)	
Angle of approach	(deg)	31
Angle of departure	(deg)	15
Fuel consumption, average conditions	(miles per gal)	10
Cruising range, average conditions	(miles)	180
Maximum allowable speed	(mph)	60
Number of speeds forward		3

ENGINE

Manufacturer	Chevrolet	Model ABF
Type	In-line, 4 cycle	Number of cylinders
Displacement		6
Governed speed		216.5
Brake horsepower		90
Ignition type		Battery

ADDITIONAL DATA

.....

TM 9-2800

**STANDARD MILITARY MOTOR VEHICLES
TRUCK, CARRYALL, ¾-TON, 4 x 4**

Technical Manuals: TM 9-808, TM 9-1808A, Parts List: SNL G-502
TM 9-1808B.

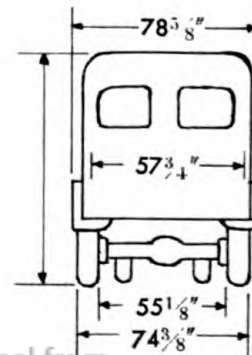
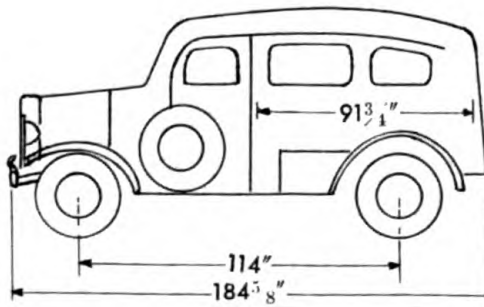
Manufacturer: Dodge Brothers Corp. (Div. of Chrysler Corp.)



RA PD 308966

Classification: Limited standard

Purpose: To transport light cargo.



SECTION VIII—TRUCKS
TRUCK, CARRYALL, ¾-TON, 4 x 4

GENERAL DATA

Crew		2
Weight	Net	(lb) 5,750
	Payload	(lb) 1,800
	Gross	(lb) 7,550
Shipping dimensions	(cu ft)	(sq ft)
Tires	Ply ... 8	Size ... 9.00 x 16
Tread, center to center		(in.) 64 ³ / ₄
Ground clearance		(in.) 10 ⁵ / ₈
Electrical system		(volts) 6
Capacities	Fuel, 70 octane gasoline ...	(gal) 30
	Cooling system	(qt) 18
	Crankcase (refill)	(qt) 5
Brakes		Hydraulic

PERFORMANCE

Maximum gradability	(percent)	55
Turning radius	(ft)	24 ¹ / ₂
Fording depth	(in.)	34
Angle of approach	(deg)	53
Angle of departure	(deg)	28
Fuel consumption, average conditions	(miles per gal)	8
Cruising range, average conditions	(miles)	240
Maximum allowable speed	(mph)	54
Number of speeds forward		4

ENGINE

Manufacturer	Dodge	Model T-214
Type	In-line, 4 cycle	Number of cylinders 6
Displacement		(cu in.) 230.2
Governed speed		(rpm) 3,200
Brake horsepower		76
Ignition type		Battery

ADDITIONAL DATA

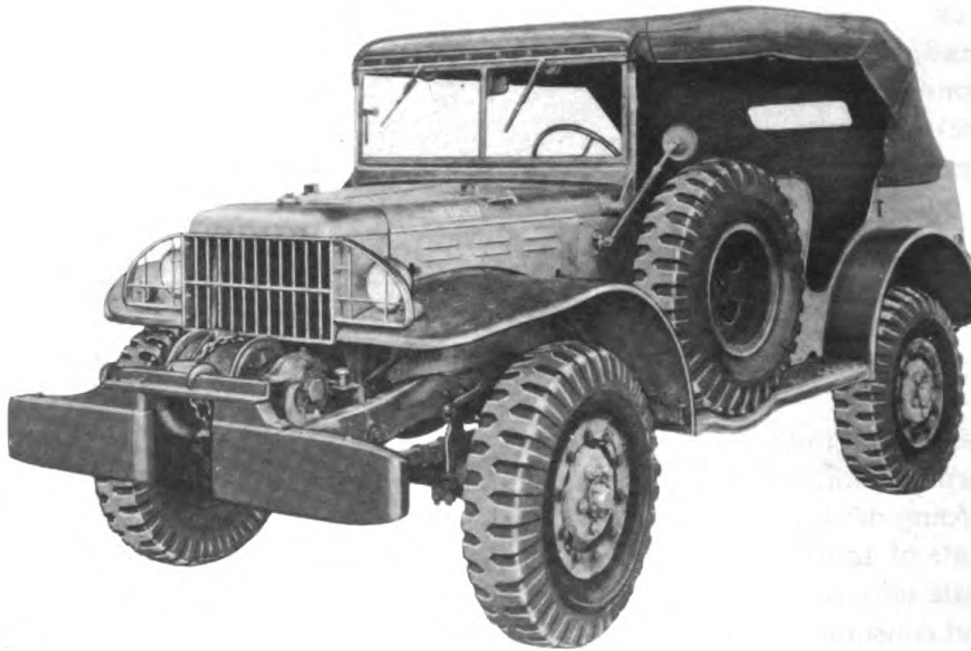
.....

TM 9-2800

**STANDARD MILITARY MOTOR VEHICLES
TRUCK, COMMAND, 3/4-TON, 4 x 4**

Technical Manuals: TM 9-808, TM 9-1808A, Parts List: SNL G-502
TM 9-1808B.

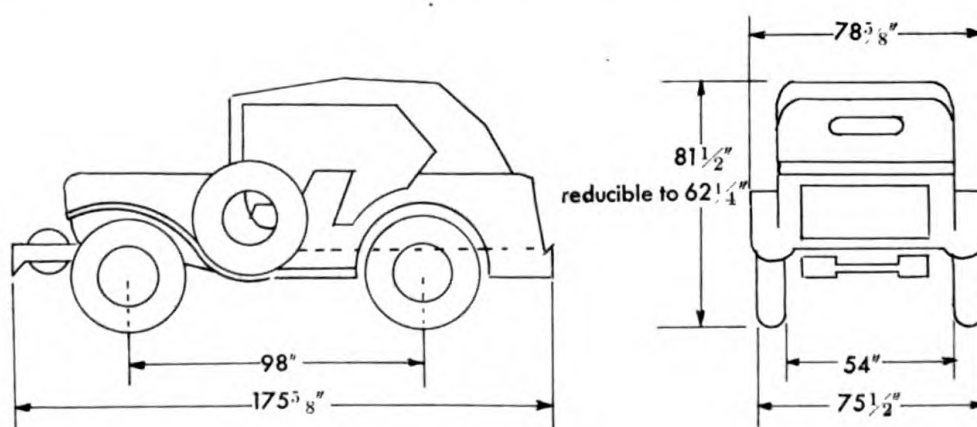
Manufacturer: Dodge Brothers Corp. (Div. of Chrysler Corp.)



RA PD 66341

Classification: Standard

Purpose: To provide transportation for command officers in the field.



SECTION VIII—TRUCKS
TRUCK, COMMAND, ¾-TON, 4 x 4

GENERAL DATA

Crew		2
Weight	Net	5,375*
	Payload	1,500*
	Gross	6,875*
Shipping dimensions	(cu ft) 442*	(sq ft) 85*
Tires	Ply . . . 8	Size . . . 9.00 x 16
Ground clearance		10 ⁵ / ₈
Electrical system		(volts) 12
Capacities	Fuel, 70 octane gasoline . . .	(gal) 30
	Cooling system	(qt) 17
	Crankcase (refill)	(qt) 5
Brakes		Hydraulic

PERFORMANCE

Maximum gradability	(percent)	60
Turning radius	(ft)	21 ² / ₃
Fording depth	(in.)	34
Angle of approach (deg)	w/ winch 36 ¹ / ₂ , w/o winch 53 ¹ / ₂	
Angle of departure	(deg)	31
Fuel consumption, average conditions	(miles per gal)	8
Cruising range, average conditions	(miles)	210
Maximum allowable speed	(mph)	54
Number of speeds forward		

ENGINE

Manufacturer	Dodge	Model T-214
Type	In-line, 4 cycle	Number of cylinders 6
Displacement		(cu in.) 230.2
Governed speed		(rpm) 3,200
Brake horsepower		76
Ignition type		Battery

ADDITIONAL DATA

Winch capacity	(lb)	5,000
----------------------	------	-------

*Figures given are for vehicles without winch. For vehicles with winch use the following data:

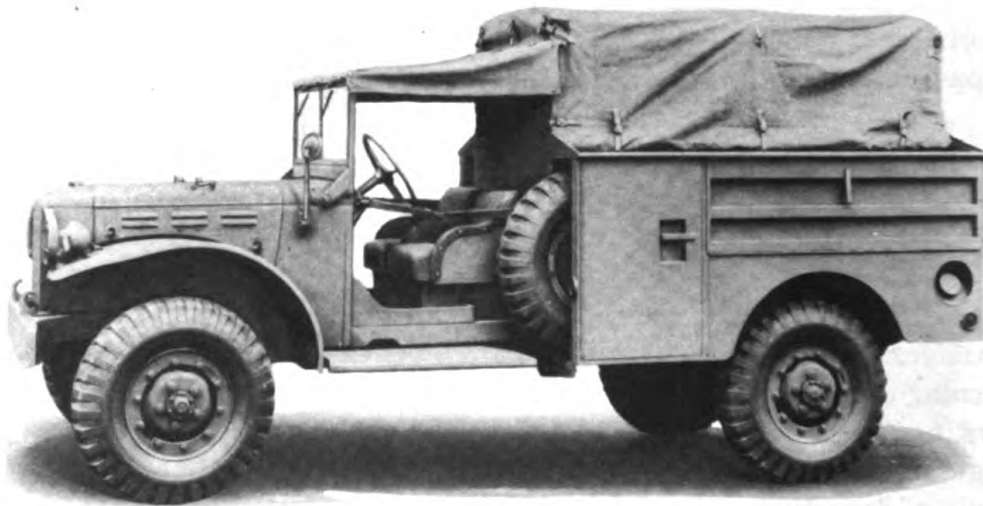
Weight (lb)	Net 5,675	Payload 1,500	Gross 7,175
Shipping dimensions	(cu ft) 500		(sq ft) 96

TM 9-2800

**STANDARD MILITARY MOTOR VEHICLES
TRUCK, EMERGENCY REPAIR, ¾-TON, 4 x 4**

Technical Manuals: TM 9-808, TM 9-1808A, Parts List: SNL G-502
TM 9-1808B.

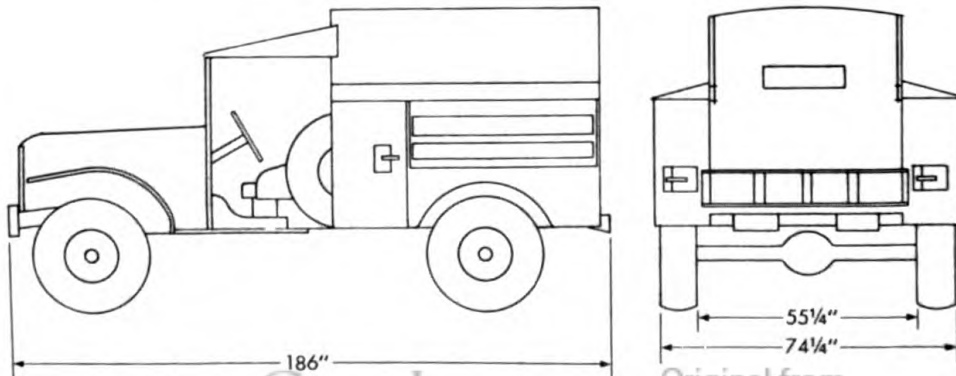
Manufacturer: Dodge Brothers Corp. (Div. of Chrysler Corp.)



RA PD 309020

Classification: Limited standard

Purpose: To provide mobile facilities for emergency repair.



SECTION VIII—TRUCKS
TRUCK, EMERGENCY REPAIR, ¾-TON, 4 x 4

GENERAL DATA

Crew		5
Weight	Net	(lb) 5,350
	Payload	(lb) 2,170
	Gross	(lb) 7,520
Shipping dimensions	(cu ft)	(sq ft)
Tires	Ply ... 8	Size ... 9.00 x 16
Tread, center to center		(in.) 64 ³ / ₄
Ground clearance		(in.) 10 ³ / ₄
Electrical system		(volts) 6
Capacities	Fuel, 72 octane gasoline	(gal) 30
	Cooling system	(qt) 17
	Crankcase (refill)	(qt) 5
Brakes		Hydraulic

PERFORMANCE

Maximum gradability	(percent)	52
Turning radius	(ft)	26
Fording depth	(in.)	34
Angle of approach	(deg)	53
Angle of departure	(deg)	32
Fuel consumption, average conditions	(miles per gal)	8
Cruising range, average conditions	(miles)	240
Maximum allowable speed	(mph)	55
Number of speeds forward		4

ENGINE

Manufacturer	Dodge	Model T-214
Type	In-line, 4 cycle	Number of cylinders 6
Displacement		(cu in.) 230.2
Governed speed		(rpm) 3,200
Brake horsepower		at 3,200 rpm 76
Ignition type		Battery

ADDITIONAL DATA

.....

**STANDARD MILITARY MOTOR VEHICLES
TRUCK, LIGHT MAINTENANCE AND INSTALLATION
3/4-TON, 4 x 4, K-50**

Technical Manuals:

Parts List:

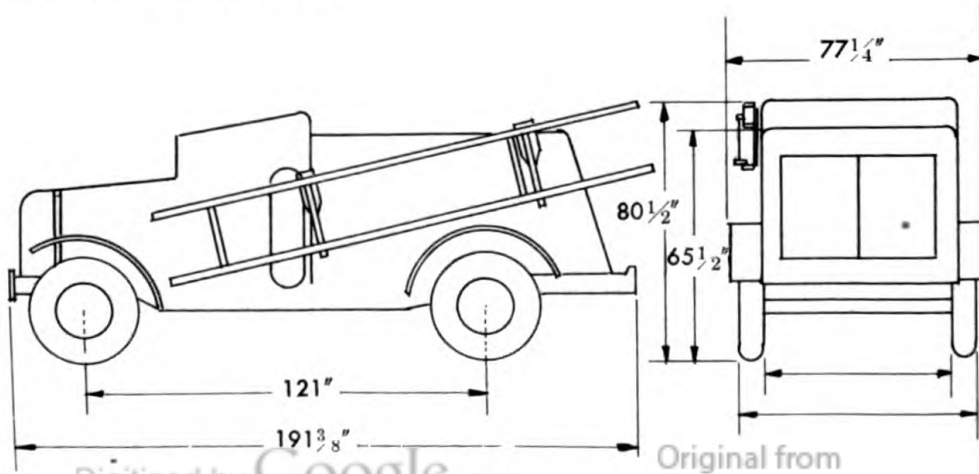
Manufacturer: Dodge Brothers Corp. (Div. of Chrysler Corp.)



RA PD 66551

Classification: Limited standard

Purpose: Used by Signal Corps to transport equipment for light installation and maintenance.



SECTION VIII—TRUCKS
TRUCK, LIGHT MAINTENANCE AND INSTALLATION
¾-TON, 4 x 4, K-50

GENERAL DATA

Crew		2
Weight	Net	(lb) 5,250
	Payload	(lb) 500
	Gross	(lb) 5,750
Shipping dimensions	(cu ft) 708	(sq ft) 105
Tires	Ply ... 8	Size ... 9.00 x 16
Tread, center to center		(in.) 64 ¹ / ₄
Ground clearance		(in.) 10 ⁵ / ₈
Electrical system		(volts) 6
Capacities	Fuel, 70 octane gasoline	(gal) 30
	Cooling system	(qt) 17
	Crankcase (refill)	(qt) 5
Brakes		Hydraulic

PERFORMANCE

Maximum gradability	(percent)	53
Turning radius	(ft)	26 ¹ / ₄
Fording depth	(in.)	34
Angle of approach	(deg)	53
Angle of departure	(deg)	28
Fuel consumption, average conditions	(miles per gal)	12
Cruising range, average conditions	(miles)	300
Maximum allowable speed	(mph)	55
Number of speeds forward		3

ENGINE

Manufacturer	Dodge	Model T214
Type	In-line, 4 cycle	Number of cylinders 6
Displacement		(cu in.) 230.2
Governed speed		(rpm) 3,200
Brake horsepower		76
Ignition type		Battery

ADDITIONAL DATA

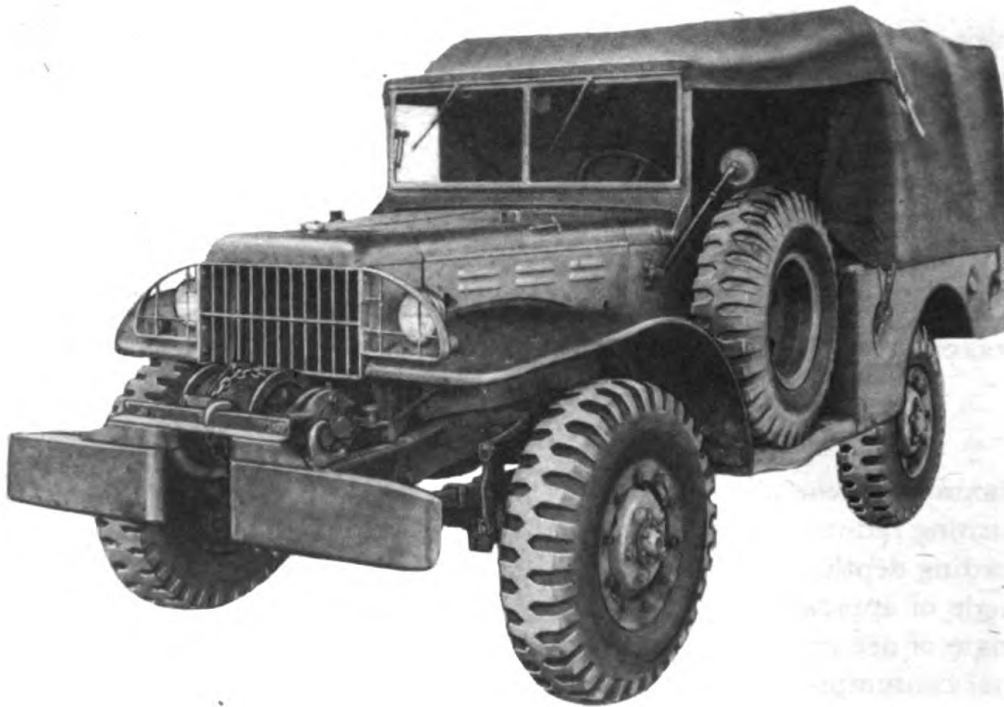
.....

Generated on 2013-05-07 15:12 GMT / http://hdl.handle.net/2027/uc1.b3244022
 Public Domain, Google-digitized / http://www.hathitrust.org/access_use#pd-google

**STANDARD MILITARY MOTOR VEHICLES
TRUCK, WEAPONS CARRIER, ¾-TON, 4 x 4**

Technical Manuals: TM 9-808, TM 9-1808A, Parts List: SNL G-502
TM 9-1808B.

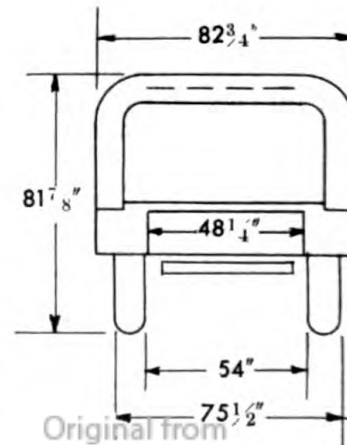
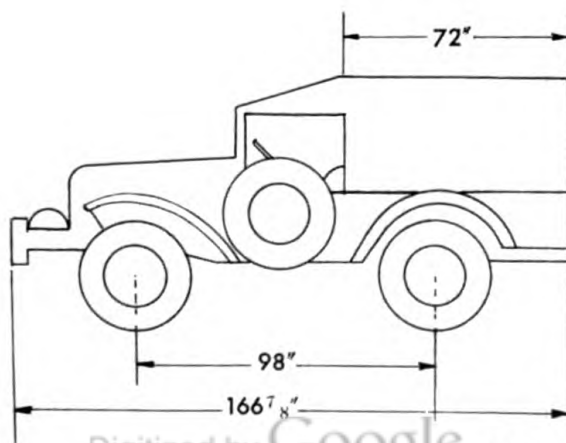
Manufacturer: Dodge Brothers Corp. (Div. of Chrysler Corp.)



RA PD 66555

Classification: Standard

Purpose: To transport weapons, tools and equipment.



SECTION VIII—TRUCKS
TRUCK, WEAPONS CARRIER, ¾-TON, 4 x 4

GENERAL DATA

Crew		2
Weight	Net	5,250*
	Payload	1,500*
	Gross	6,750*
Shipping dimensions	(cu ft) 529	(sq ft) 102
Tires	Ply . . . 8	Size . . . 9.00 x 16
Tread, center to center		(in.) 64 ³ / ₄
Ground clearance		(in.) 10 ⁵ / ₈
Electrical system		(volts) 6
Capacities	Fuel, 70 octane gasoline	(gal) 30
	Cooling system	(qt) 18
	Crankcase (refill)	(qt) 5
Brakes		Hydraulic

PERFORMANCE

Maximum gradability	(percent)	60
Turning radius	(ft)	22
Fording depth	(in.)	34
Angle of approach (deg) . . .	With winch 36 . . . Without winch 53	
Angle of departure	(deg)	31
Fuel consumption, average conditions	(miles per gal)	8
Cruising range, average conditions	(miles)	240
Maximum allowable speed	(mph)	54
Number of speeds forward		4

ENGINE

Manufacturer	Dodge	Model T-214	
Type	In-line, 4 cycle	Number of cylinders	6
Displacement		(cu in.)	230.2
Governed speed		(rpm)	3,200
Brake horsepower			76
Ignition type		Battery	

ADDITIONAL DATA

Winch capacity	(lb)	5,000
-----------------------------	------	-------

*Figures given are for vehicles without winch. For vehicles with winch use the following data:

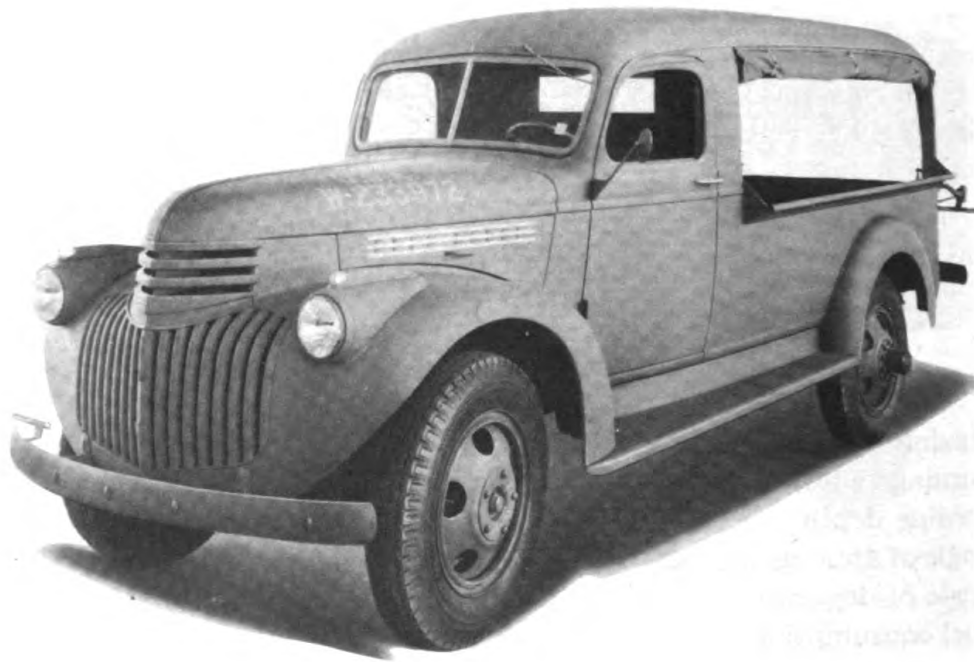
Weight (lb)	Net 5,550	Payload 1,500	Gross 7,050
------------------------------	---------------------	-------------------------	-------------

**STANDARD MILITARY MOTOR VEHICLES
TRUCK, CANOPY EXPRESS, 1-TON, 4 x 2**

Technical Manual: TM 10-1305.

Parts List:

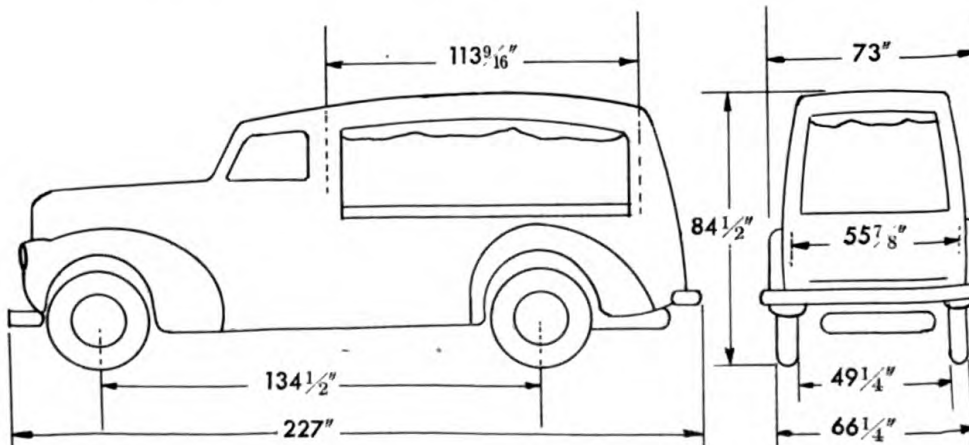
Manufacturer: Chevrolet Motor Div. (General Motors Corp.)



RA PD 308942

Classification: Standard

Purpose: To transport light cargo.



SECTION VIII—TRUCKS
TRUCK, CANOPY EXPRESS, 1-TON, 4 x 2

GENERAL DATA

Crew		2
Weight	Net	4,780
	Payload	2,000
	Gross	6,780
Shipping dimensions	(cu ft)	(sq ft)
Tires	Ply ... 8	Size ... 7.50 x 20
Electrical system		6
Capacities	Fuel, 70 octane gasoline ...	18
	Cooling system	16
	Crankcase (refill)	6
Brakes		Hydraulic

PERFORMANCE

Maximum gradability	(percent)	
Turning radius	(ft)	26
Fording depth	(in.)	
Angle of approach	(deg)	
Angle of departure	(deg)	
Fuel consumption, average conditions	(miles per gal)	9
Cruising range, average conditions	(miles)	162
Maximum allowable speed	(mph)	
Number of speeds forward		4

ENGINE

Manufacturer	Chevrolet	Model 1942 BF 1001 up	
Type	In-line, 4 cycle	Number of cylinders	6
Displacement		(cu in.)	216.5
Governed speed		(rpm)	
Brake horsepower			
Ignition type			Battery

ADDITIONAL DATA

.....

.....

.....

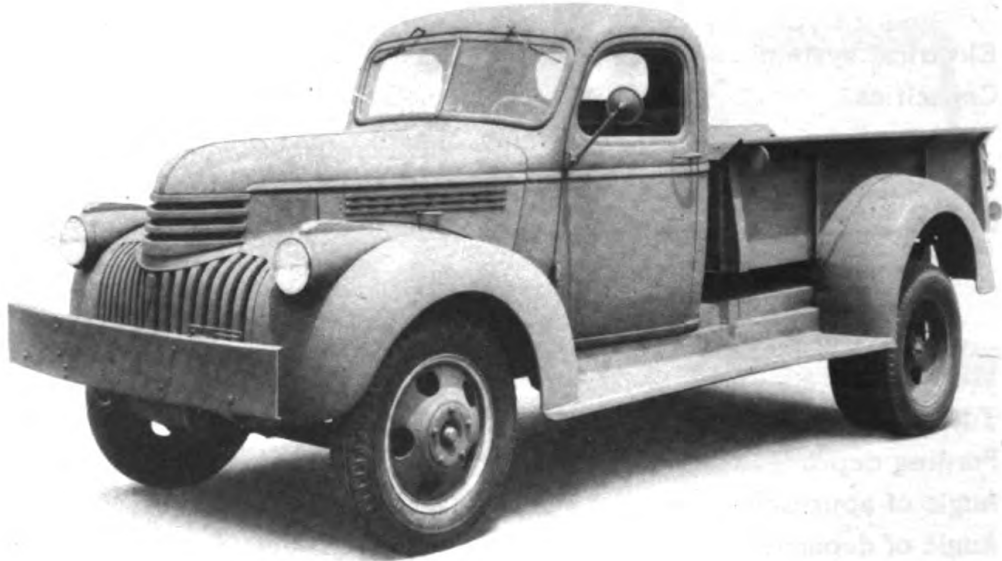
.....

**STANDARD MILITARY MOTOR VEHICLES
TRUCK, PICKUP, 1-TON, 4 x 2**

Technical Manual: TM 10-1305.

Parts List:

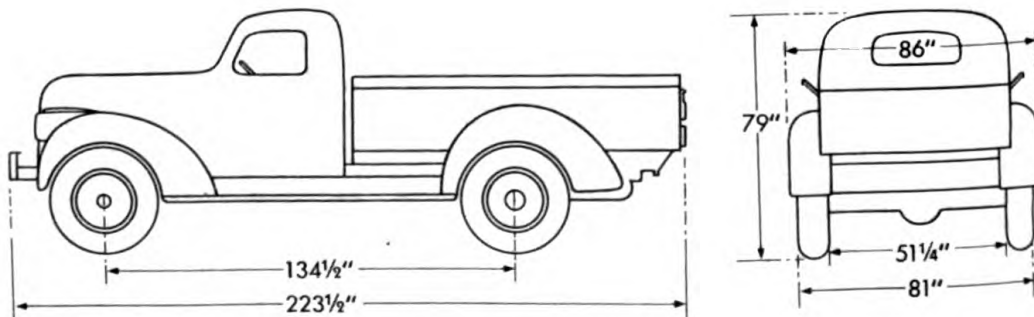
Manufacturer: Chevrolet Motor Div. (General Motors Corp.)



RA PD 309128

Classification: Standard

Purpose: To transport cargo and personnel.



SECTION VIII—TRUCKS
TRUCK, PICKUP, 1-TON, 4 x 2

GENERAL DATA

Crew		
Weight	Net	(lb) 4,825
	Payload	(lb) 3,150
	Gross	(lb) 7,975
Shipping dimensions	(cu ft)	(sq ft)
Tires	Ply ... 8	Size ... 6.50 x 20
Ground clearance		(in.) 9
Electrical system		(volts) 6
Capacities	Fuel, 72 octane gasoline	(gal) 18
	Cooling system	(qt) 16
	Crankcase (refill)	(qt) 5
Brakes		Hydraulic

PERFORMANCE

Maximum gradability	(percent)	66
Turning radius	(ft)	26
Fording depth	(in.)	
Angle of approach	(deg)	37
Angle of departure	(deg)	20
Fuel consumption, average conditions	(miles per gal)	9
Cruising range, average conditions	(miles)	150
Maximum allowable speed	(mph)	48
Number of speeds forward		4

ENGINE

Manufacturer	Chevrolet	Model BQ
Type	In-line, 4 cycle	Number of cylinders 6
Displacement		(cu in.) 216.5
Governed speed		(rpm)
Brake horsepower		90
Ignition type		Battery

ADDITIONAL DATA

.....

STANDARD MILITARY MOTOR VEHICLES
TRUCK, COMBINATION, STAKE AND PLATFORM,
1½-TON, 4 x 2

Technical Manuals:

Ford, TM 10-1139, TM 10-1329,
TM 10-1433, TM 10-1541.

Chevrolet, TM 10-1305, TM 10-1341,
TM 10-1557.

Parts Lists: SNL G-540 (Ford)

SNL G-617 (Chev.)

Manufacturers: Chevrolet Motor Div. (General Motors Corp.);
Ford Motor Co.

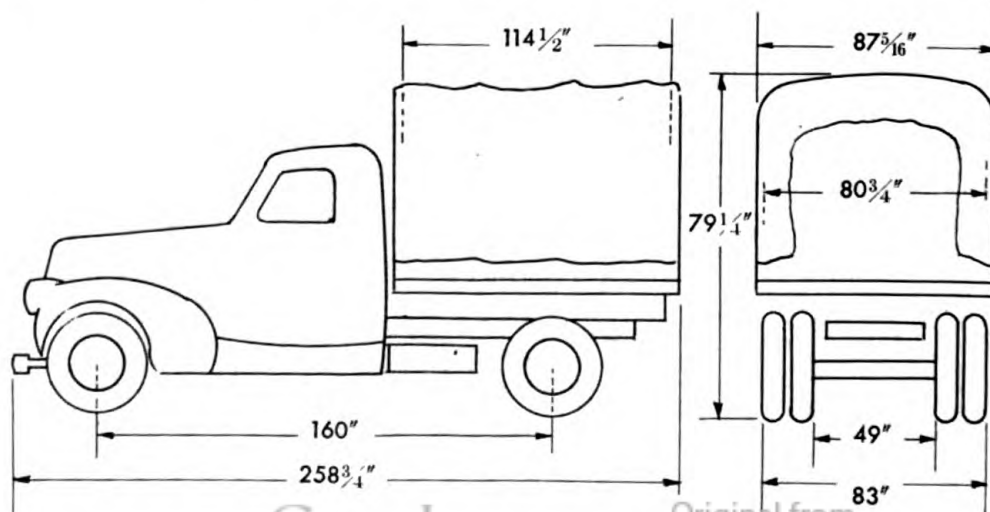


Vehicle illustrated above: Chevrolet

RA PD 308946

Classification: Standard

Purpose: To transport general cargo.



SECTION VIII—TRUCKS

TRUCK, COMBINATION, STAKE AND PLATFORM,
1½-TON, 4 x 2

GENERAL DATA

Crew		2
Weight	Net (lb)	4,985
	Payload (lb)	4,515
	Gross (lb)	9,500
Shipping dimensions	(cu ft) (sq ft)	
Tires	Ply . . . 10 Size . . . 7.00 x 20	
Tread, center to center (in.)	Front 56 ¹ / ₁₆ Rear 66	
Ground clearance	(in.)	9
Electrical system	(volts)	6
Capacities	Fuel, 70 octane gasoline (gal)	18
	Cooling system (qt)	16
	Crankcase (refill) (qt)	5
Brakes	Hydraulic	

PERFORMANCE

Maximum gradability	(percent)	63
Turning radius (ft)	Right 28 Left 30	
Fording depth	(in.)	33
Angle of approach	(deg)	33
Angle of departure	(deg)	16
Fuel consumption, average conditions	(miles per gal)	12
Cruising range, average conditions	(miles)	216
Maximum allowable speed	(mph)	35
Number of speeds forward		4

ENGINE

Manufacturer	Chevrolet	Model, Loadmaster	
Type	In-line, 4 cycle	Number of cylinders	6
Displacement		(cu in.)	235.5
Governed speed		(rpm)	2,115
Brake horsepower			81
Ignition type		Battery	

ADDITIONAL DATA

.....

STANDARD MILITARY MOTOR VEHICLES TRUCK, CARGO, 1½-TON, 4 x 2

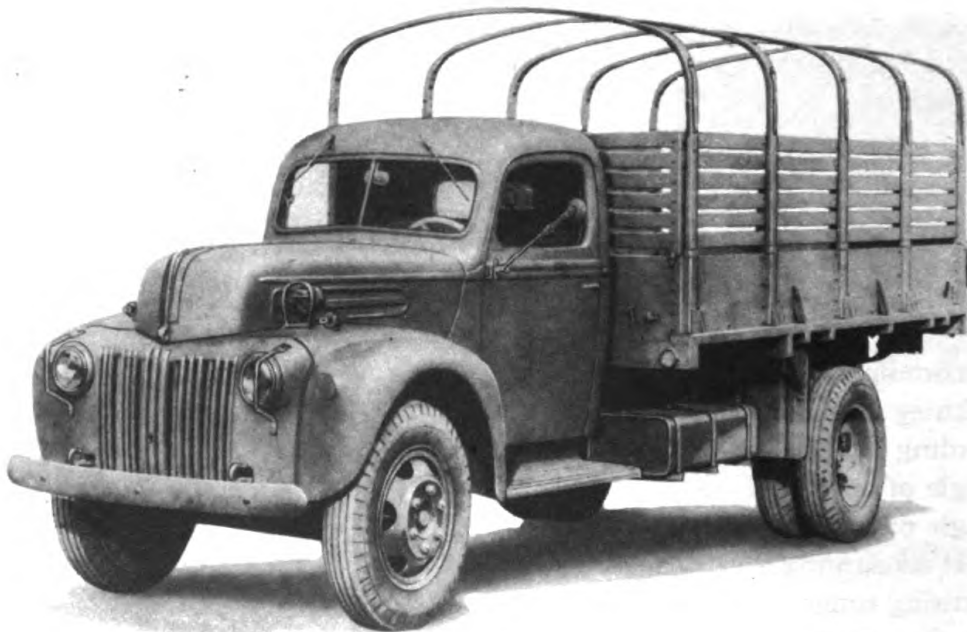
Technical Manuals:

Ford, TM 10-1433, TM 10-1539,
TM 10-1347.

Chevrolet, TM 10-1305, TM 10-1489.
Dodge, TM 10-1157.

Parts Lists: SNL G-540 (Ford)
SNL G-617 (Chev.)
SNL G-618 (Dodge)

Manufacturers: Chevrolet Motor Div. (General Motors Corp.); Dodge Brothers Corp. (Div. of Chrysler Corp.); Ford Motor Co.

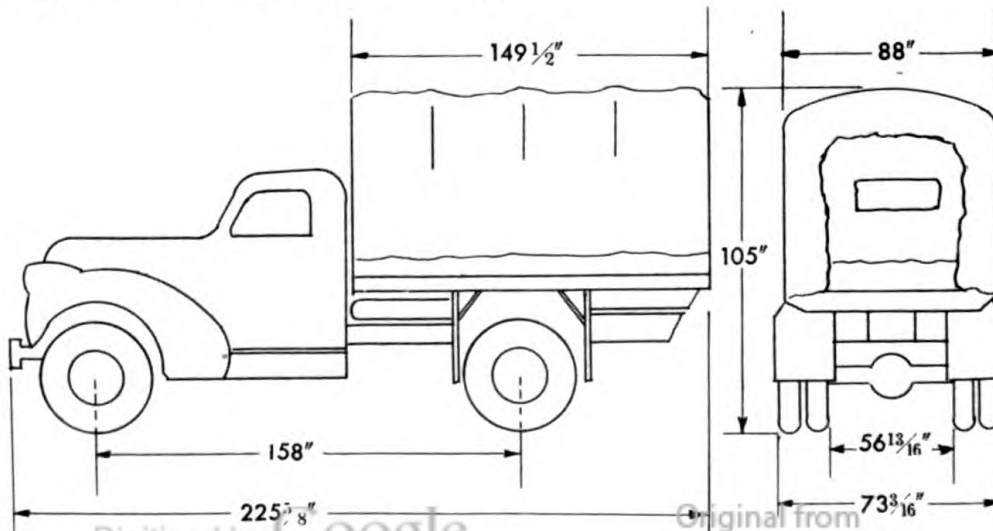


RA PD 308945

Vehicle illustrated above: Ford

Classification: Standard

Purpose: To transport general cargo.



SECTION VIII—TRUCKS
TRUCK, CARGO, 1½-TON, 4 x 2

GENERAL DATA

Crew		2
Weight	Net	6,514
	Payload	3,150
	Gross	9,664
Shipping dimensions	(cu ft)	(sq ft)
Tires	Ply ... 8	Size ... 7.50 x 20
Tread, center to center (in.)	Front 57.8	Rear 65
Ground clearance		9 1/4
Electrical system		(volts) 6
Capacities	Fuel, 70 octane gasoline ...	(gal) 49
	Cooling system	(qt) 17
	Crankcase (refill)	(qt) 5
Brakes		Hydraulic

PERFORMANCE

Maximum gradability	(percent)	47
Turning radius	(ft)	29 1/2
Fording depth	(in.)	25
Angle of approach	(deg)	35
Angle of departure	(deg)	20
Fuel consumption, average conditions, with towed load	(miles per gal)	10
Cruising range, average conditions, with towed load ...	(miles)	400
Maximum allowable speed	(mph)	45
Number of speeds forward		3

ENGINE

Manufacturer	Ford	Model 2 GT
Type	In-line, 4 cycle	Number of cylinders 6
Displacement		(cu in.) 225.7
Governed speed		(rpm) 3400
Brake horsepower		81
Ignition type		Battery

ADDITIONAL DATA

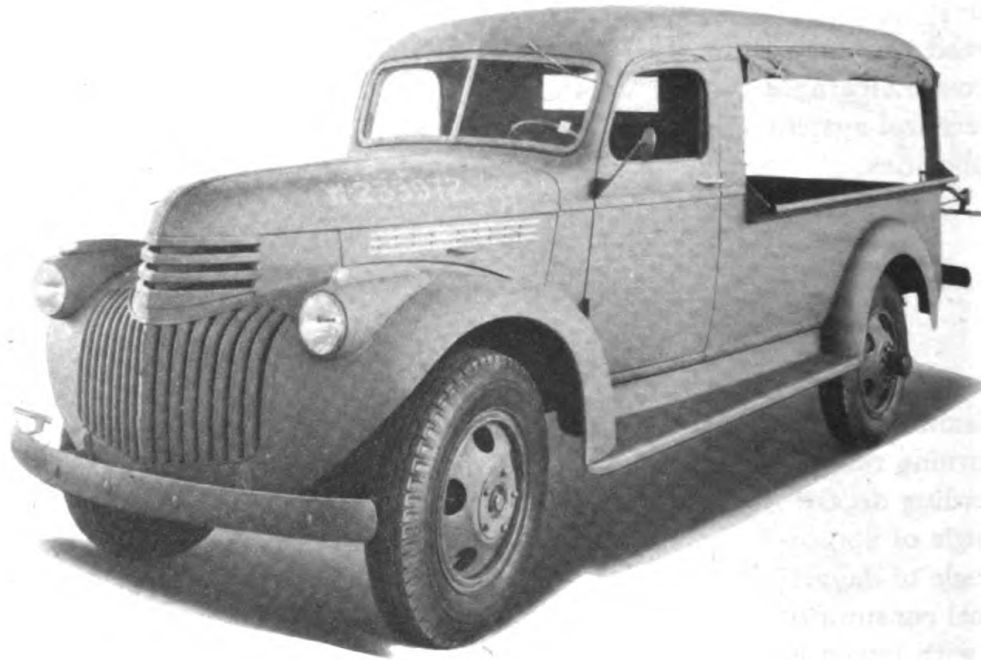
.....

TM 9-2800

STANDARD MILITARY MOTOR VEHICLES
TRUCK, CANOPY EXPRESS, 1½-TON, 4 x 2

Technical Manuals: TM 10-1305, TM 10-1465. Parts List: SNL G-617

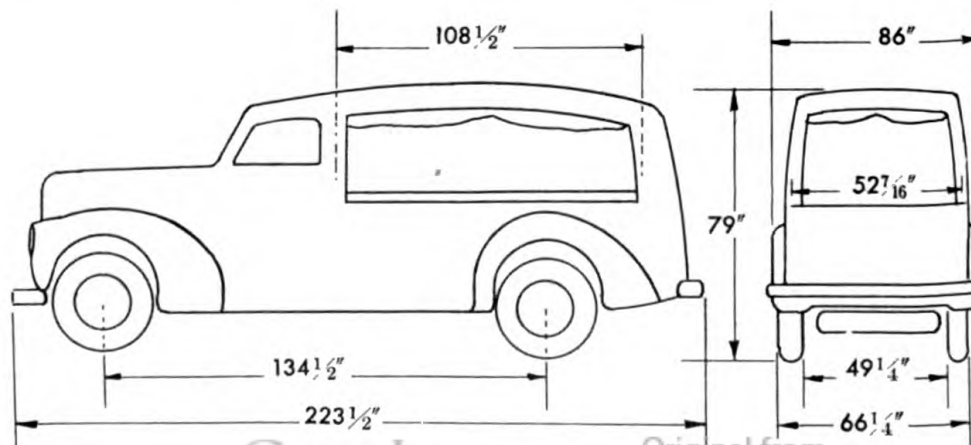
Manufacturer: Chevrolet Motor Div. (Division of General Motors Corp.).



Classification: Standard

Purpose: To transport cargo.

RA PD 308942



Digitized by Google

Original from
UNIVERSITY OF CALIFORNIA

SECTION VIII—TRUCKS
TRUCK, CANOPY EXPRESS, 1½-TON, 4 x 2

GENERAL DATA

Crew		1
Weight	Net	4,825
	Payload	3,150
	Gross	7,975
Tires	Ply ... 8	Size ... 6.50 x 20
Tread, center to center (in.)	Front	Rear
Ground clearance		(in.)
Electrical system		(volts) 6
Capacities	Fuel, 70 octane gasoline	(gal) 18
	Cooling system	(qt) 16
	Crankcase (refill)	(qt) 6
Brakes		Hydraulic

PERFORMANCE

Maximum gradability	(percent)
Turning radius	(ft) 26
Fording depth	(in.)
Angle of approach	(deg)
Angle of departure	(deg)
Fuel consumption, average conditions	(miles per gal) 9
Cruising range, average conditions	(miles) 162
Maximum allowable speed	(mph)
Number of speeds forward	4

ENGINE

Manufacturer	Chevrolet	Model 1942 BQ 1001 up
Type	In-line, 4 cycle	Number of cylinders 6
Displacement		(cu in.) 216
Governed speed		(rpm) 1,200-2,000
Brake horsepower		90
Ignition type		Battery

ADDITIONAL DATA

.....

TM 9-2800

**STANDARD MILITARY MOTOR VEHICLES
TRUCK, DUMP, 1½-TON, 4 x 2**

Technical Manuals: Chevrolet,
TM 10-1305, TM 10-1329.
Ford, TM 10-1139,
TM 10-1329.

Parts Lists: SNL G-620 (GMC)
SNL G-540 (Ford)
SNL G-617 (Chev.)

Manufacturers: Chevrolet Motor Div. (General Motors Corp.); Ford
Motor Co.

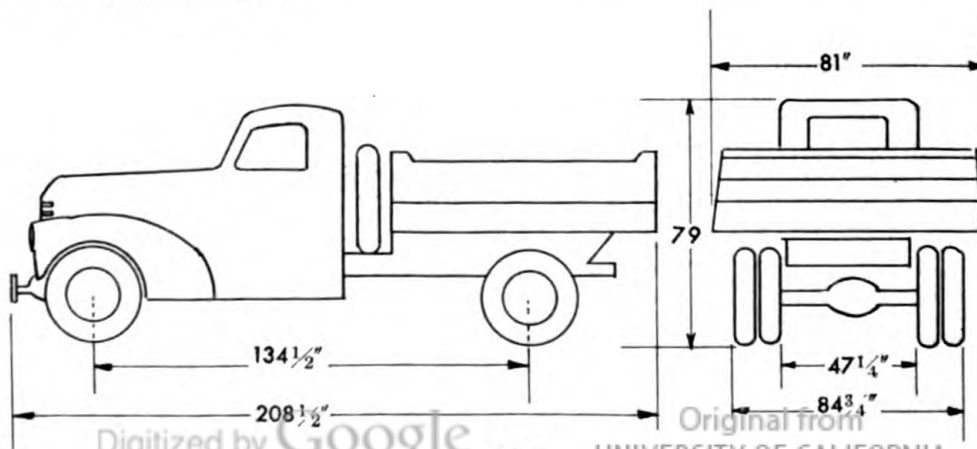


RA PD 308950

Vehicle illustrated above: Chevrolet

Classification: Standard

Purpose: To transport and dump stone, sand, gravel, etc., and to transport general cargo.



SECTION VIII—TRUCKS
TRUCK, DUMP, 1½-TON, 4 x 2

GENERAL DATA

Crew			2
Weight	Net	(lb)	5,975
	Payload	(lb)	3,150
	Gross	(lb)	9,125
Shipping dimensions	(cu ft)	(sq ft)	
Tires	Ply ... 8	Size ... 6.50 x 20	
Tread, center to center (in.)	Front	Rear	
Ground clearance		(in.)	
Electrical system		(volts)	6
Capacities	Fuel, 70 octane gasoline ...	(gal)	18
	Cooling system	(qt)	16
	Crankcase (refill)	(qt)	6
Brakes		Hydraulic	

PERFORMANCE

Maximum gradability	(percent)	
Turning radius	(ft)	26
Angle of approach	(deg)	
Angle of departure	(deg)	
Fuel consumption, average conditions	(miles per gal)	9
Cruising range, average conditions	(miles)	162
Maximum allowable speed	(mph)	
Number of speeds forward		4

ENGINE

Manufacturer	Chevrolet	Model 1942 BQ 1001 up	
Type	In-line, 4 cycle	Number of cylinders	6
Displacement		(cu in.)	216.5
Governed speed		(rpm)	
Brake horsepower			90
Ignition type		Battery	

ADDITIONAL DATA

.....

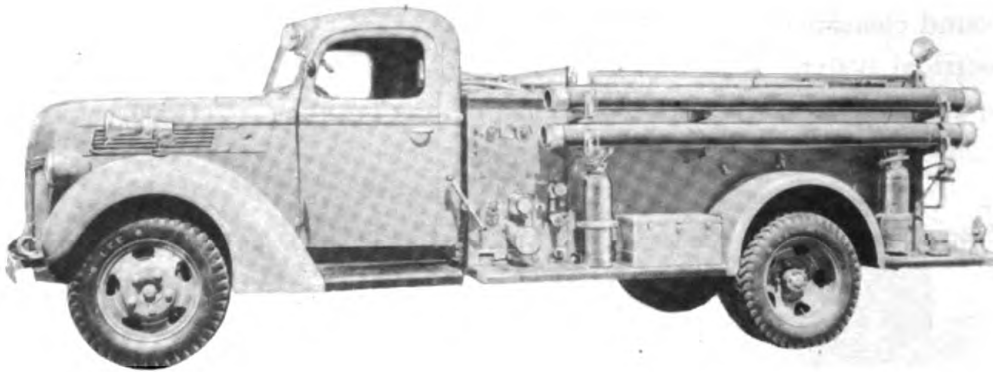
TM 9-2800

**STANDARD MILITARY MOTOR VEHICLES
TRUCK, FIRE, 1½-TON, 4 x 2**

Technical Manuals:

Parts List:

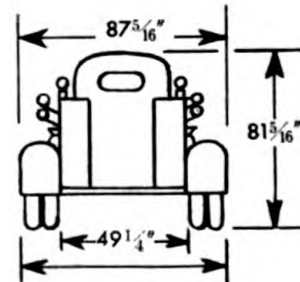
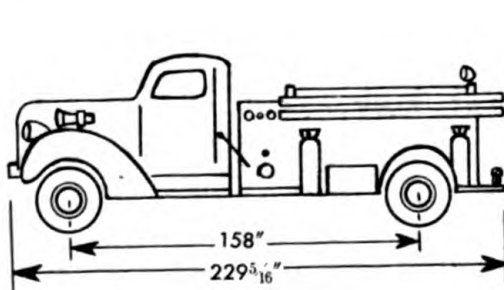
Manufacturers: Ward-LaFrance; Ford.



RA PD 66577

Classification: Standard

Purpose: Used by Corps of Engineers to transport fire-fighting and pumping equipment.



SECTION VIII—TRUCKS
TRUCK, FIRE, 1½-TON, 4 x 2

GENERAL DATA

Crew		8
Weight	Gross	10,670
Shipping dimensions	(cu ft) 934	(sq ft) 138
Tires	Ply ... 8	Size ... 6.50 x 20
Ground clearance		9¼
Tread, center to center	Front	Rear
Electrical system		(volts) 6
Capacities	Fuel, 70 octane gasoline	(gal) 37
	Cooling system	(qt) 17½
	Crankcase (refill)	(qt) 5
Brakes		Hydraulic

PERFORMANCE

Maximum gradability		(percent)
Turning radius		29½
Fording depth		(in.)
Angle of approach		(deg) 35
Angle of departure		(deg) 20
Fuel consumption, average conditions		(miles per gal) 8
Cruising range, average conditions		(miles) 150
Maximum allowable speed		(mph) 53
Number of speeds forward		

ENGINE

Manufacturer	Ford	Model
Type	V-8, 4 cycle	Number of cylinders 8
Displacement		(cu in.) 221
Governed speed		(rpm)
Brake horsepower		
Ignition type		Battery

ADDITIONAL DATA

This vehicle used as Truck, fire pumper, type "A", overseas, class 325 and Truck, fire crash, class 125.

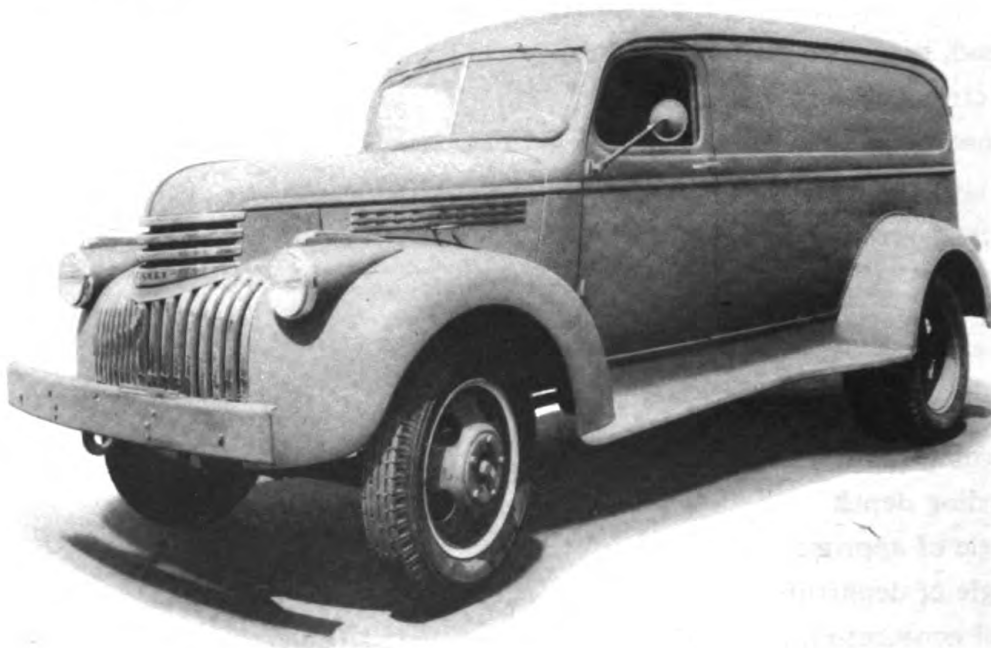
Pump driven by Ward-LaFrance Model WLF-F6, 6 cylinder, 225.7 cubic inch displacement.

STANDARD MILITARY MOTOR VEHICLES
TRUCK, PANEL DELIVERY, 1½-TON, 4 x 2

Technical Manuals: Chevrolet,
 TM 10-1305, TM 10-1403,
 TM 10-1461.
 Ford, TM 10-1257,
 TM 10-1329.

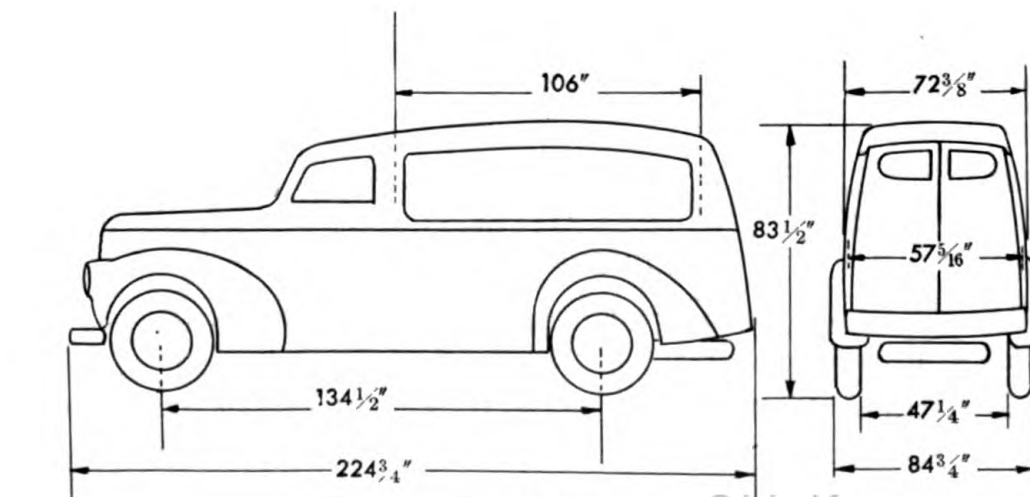
Parts Lists: SNL G-540 (Ford)
 SNL G-620 (Chev.)

Manufacturers: Chevrolet Motor Div. (General Motors Corp.); Ford
 Motor Co.



Vehicle illustrated above: Chevrolet
 Classification: Standard
 Purpose: To transport light cargo.

RA PD 308943



SECTION VIII—TRUCKS
TRUCK, PANEL DELIVERY, 1½-TON, 4 x 2

GENERAL DATA

Crew		2
Weight	Net	4,275
	Payload	3,425
	Gross	7,700
Shipping dimensions	(cu ft)	(sq ft)
Tires	Ply: Front 6	Rear 8
	Size: Front	6.00 x 20
	Rear	6.50 x 20
Ground clearance		(in.)
Electrical system		(volts) 6
Capacities	Fuel, 70 octane gasoline	(gal) 18
	Cooling system	(qt) 14
	Crankcase (refill)	(qt) 5
Brakes		Hydraulic

PERFORMANCE

Maximum gradability	(percent)	
Turning radius	(ft)	26
Angle of approach	(deg)	
Angle of departure	(deg)	
Fuel consumption, average conditions	(miles per gal)	12
Cruising range, average conditions	(miles)	216
Maximum allowable speed	(mph)	
Number of speeds forward		3

ENGINE

Manufacturer	Chevrolet	Model	
Type	In-line, 4 cycle	Number of cylinders	6
Displacement		(cu in.)	216.5
Governed speed		(rpm)	
Brake horsepower			

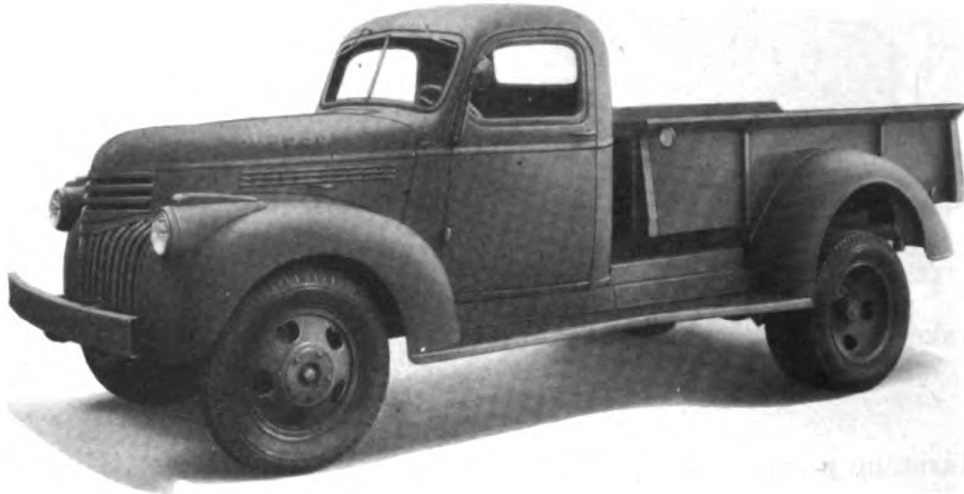
ADDITIONAL DATA

.....

TM 9-2800

**STANDARD MILITARY MOTOR VEHICLES
TRUCK, PICKUP, 1½-TON, 4 x 2**

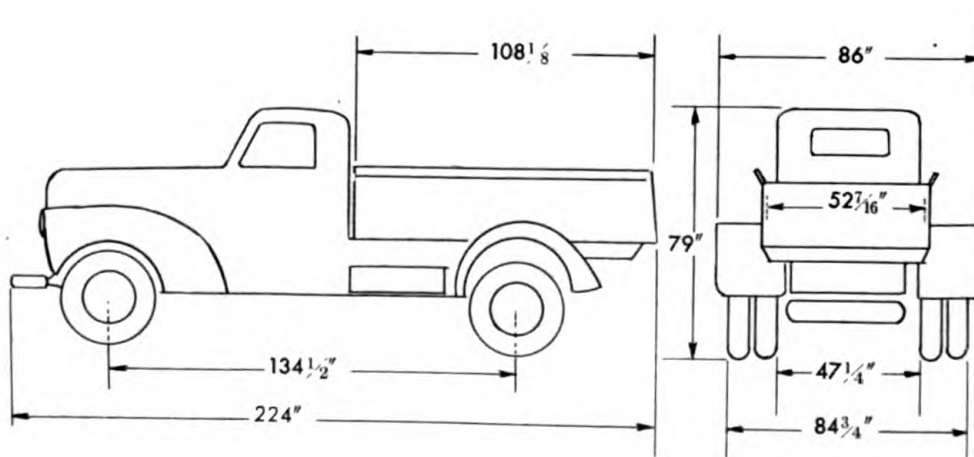
Technical Manuals: TM 10-1305, TM 10-1465. Parts List: SNL_G-617
Manufacturer: Chevrolet Motor Div. (General Motors Corp.).



Classification: Standard

RA PD 308944

Purpose: To transport cargo.



SECTION VIII—TRUCKS
TRUCK, PICKUP, 1½-TON, 4 x 2

GENERAL DATA

Crew		1
Weight	Net	4,965
	Payload	3,150
	Gross	8,015
Shipping dimensions	(cu ft)	(sq ft)
Tires	Ply ... 8	Size ... 6.50 x 20
Ground clearance		(in.) 9
Electrical system		(volts) 6
Capacities	Fuel, octane gasoline ...	(gal) 18
	Cooling system	(qt) 16
	Crankcase (refill)	(qt) 5
Brakes		Hydraulic

PERFORMANCE

Maximum gradability		(percent)
Turning radius (ft)	Right	Left
Fording depth		(in.)
Angle of approach		(deg)
Angle of departure		(deg)
Fuel consumption, average conditions		(miles per gal)
Cruising range, average conditions		(miles) 150
Maximum allowable speed		(mph)
Number of speeds forward		4

ENGINE

Manufacturer	Chevrolet	Model
Type	In-line, 4 cycle	Number of cylinders 6
Displacement		(cu in.) 216.5
Governed speed		(rpm)
Brake horsepower		

ADDITIONAL DATA

.....

.....

.....

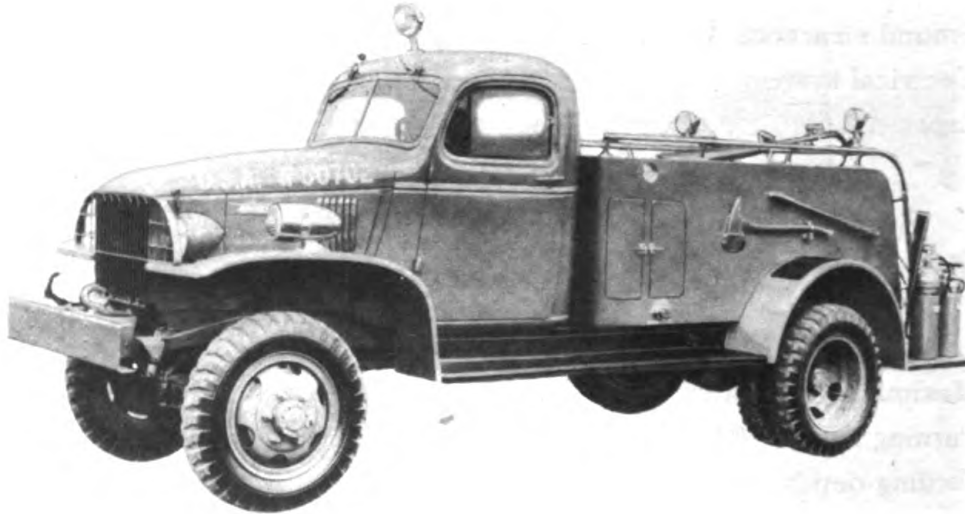
.....

**STANDARD MILITARY MOTOR VEHICLES
TRUCK, AIRFIELD CRASH, 1½-TON, 4 x 4**

Technical Manual: TM 10-1127 (C1).

Parts List:

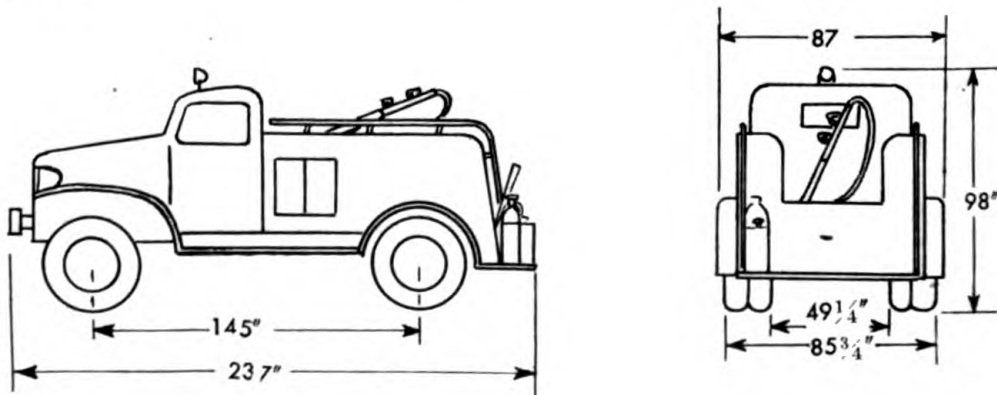
Manufacturer: Chevrolet Motor Div. (General Motors Corp.).



RA PD 66561

Classification: Standard

Purpose: To provide mobile fire-fighting and crash equipment for airfields.



SECTION VIII—TRUCKS
TRUCK, AIRFIELD CRASH, 1½-TON, 4 x 4

GENERAL DATA

Crew		
Weight	Net	(lb)
	Payload	(lb)
	Gross	(lb) 9,000
Shipping dimensions	(cu ft) 937	(sq ft) 129
Tires	Ply ... 8	Size ... 7.50 x 20
Ground clearance		(in.)
Electrical system		(volts) 6
Capacities	Fuel, 70 octane gasoline ...	(gal) 30
	Cooling system	(qt) 17
	Crankcase	(qt) 7½
Brakes	(Hydrovac) Hydraulic	

PERFORMANCE

Maximum gradability	(percent)	65
Turning radius	(ft)	29½
Fording depth	(in.)	32
Angle of approach	(deg)	45
Angle of departure	(deg)	
Fuel consumption, average conditions	(miles per gal)	9
Cruising range, average conditions	(miles)	270
Maximum allowable speed	(mph)	48
Number of speeds forward		4

ENGINE

Manufacturer	Chevrolet	Model BU-1001 up
Type	In-line, 4 cycle	Number of cylinders 6
Displacement		(cu in.) 235.5
Governed speed		(rpm) 3,100
Brake horsepower		83
Ignition type		Battery

ADDITIONAL DATA

.....

TM 9-2800

**STANDARD MILITARY MOTOR VEHICLES
TRUCK, BOMB SERVICE, M6, 1½-TON, 4 x 4**

Technical Manuals: TM 9-765, TM 9-1765A, Parts List: SNL G-85
TM 9-1765B.

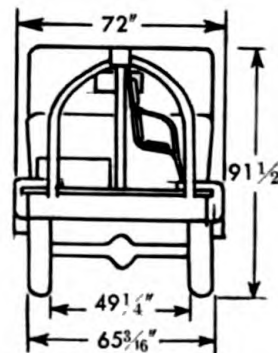
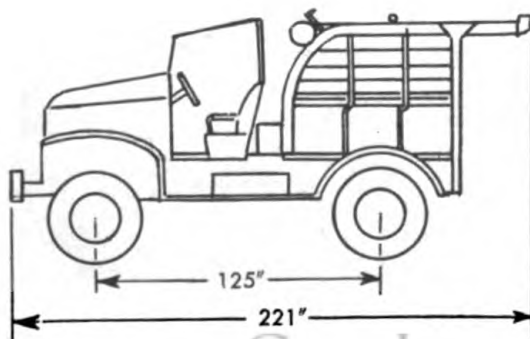
Manufacturer: Chevrolet Motor Div. (General Motors Corp.), (Model
G 7128).



RA PD 66563

Classification: Standard

Purpose: To tow bomb trailers and lift bombs on and off trailers.



Digitized by Google

SECTION VIII—TRUCKS
TRUCK, BOMB SERVICE, M6, 1½-TON, 4 x 4

GENERAL DATA

Crew.....		5
Weight.....	Net.....(lb)	6,325
	Payload.....(lb)	2,050
	Gross.....(lb)	8,375
Shipping dimensions.....	(cu ft) 845.....(sq ft) 111	
Tires.....	Ply... 8.....Size... 7.50 x 20	
Tread, center to center (in.)	Front 60 ⁵ / ₁₆Rear 57 ¹ / ₄	
Ground clearance.....	(in.)	9 ⁷ / ₈
Electrical system.....	(volts)	6
Capacities.....	Fuel, 70 octane gasoline....(gal)	30
	Cooling system.....(qt)	17 ¹ / ₄
	Crankcase (refill).....(qt)	5
Brakes.....	Hydraulic	

PERFORMANCE

Maximum gradability.....	(percent)	65
Turning radius.....	(ft)	26
Angle of approach.....	(deg)	45
Angle of departure.....	(deg)	38
Fuel consumption, average conditions.....	(miles per gal)	8 ¹ / ₂
Cruising range, average conditions.....	(miles)	250
Maximum allowable speed.....	(mph)	55
	1st 2nd 3rd 4th	
Cruising speed.....	6 14 28 48	

ENGINE

Manufacturer.....	Chevrolet.....	Model BV 1001 up	
Type.....	In-line, 4 cycle.....	Number of cylinders	6
Displacement.....		(cu in.)	235.5
Governed speed.....		Not governed	
Brake horsepower.....			83
Ignition type.....		Battery	

ADDITIONAL DATA

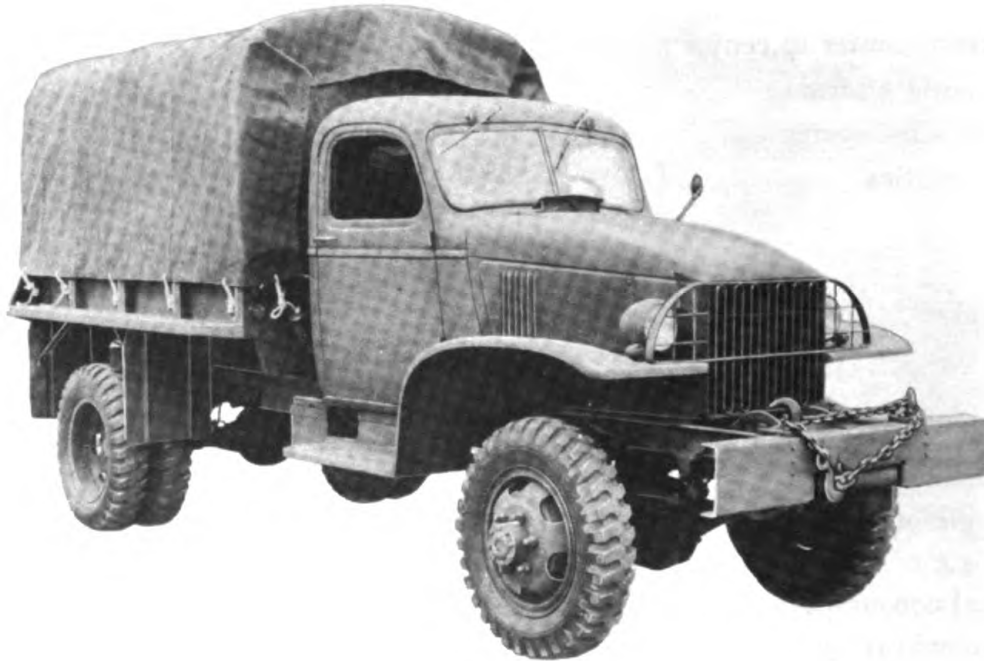
Winch capacity.....	(Mounted on bomb handling hoist)....	(lb)	2,000
.....			
.....			
.....			

TM 9-2800

**STANDARD MILITARY MOTOR VEHICLES
TRUCK, CARGO, 1½-TON, 4 x 4**

Technical Manuals: Chevrolet, Parts Lists: SNL G-621 (Dodge)
TM 10-1431, TM 10-1127 (C1), SNL G-622 (Ford)
TM 10-1203. SNL G-506 (Chev.)
Ford, TM 10-1435.
Dodge, TM 10-1179, TM 10-1193.

Manufacturers: Chevrolet Motor Div. (General Motors Corp.); Dodge Brothers Corp. (Div. Chrysler Corp.); Ford Motor Co.

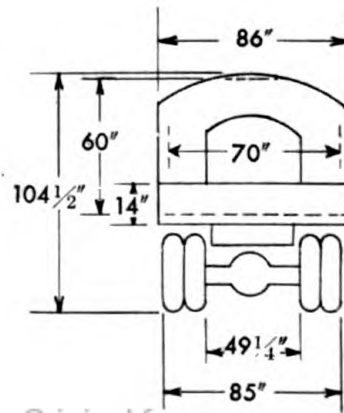
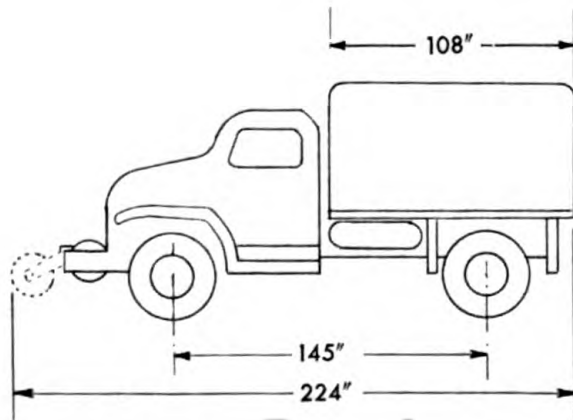


RA PD 66567

Vehicle illustrated above: Chevrolet

Classification: Standard

Purpose: To transport general cargo and personnel.



SECTION VIII—TRUCKS
TRUCK, CARGO, 1½-TON, 4 x 4

GENERAL DATA

Crew, operating.....		2
Weight.....	Net..... (lb)	7,545*
	Payload..... (lb)	3,000*
	Gross..... (lb)	10,545*
Shipping dimensions†.....	(cu ft) 1,001..... (sq ft) 138	
Tires.....	Ply... 8..... Size... 7.50 x 20	
Tread, center to center (in.)	Front 60½..... Rear 67½	
Ground clearance..... (in.)	9⅞
Electrical system..... (volts)	6
Capacities.....	Fuel, 70 octane gasoline.... (gal)	30
	Cooling system..... (qt)	17
	Crankcase (refill)..... (qt)	5
Brakes..... Hydraulic	

PERFORMANCE

Maximum gradability..... (percent)	65
Turning radius (ft).....	Right 29..... Left 28½	
Fording depth..... (in.)	32
Angle of approach (deg)....	with winch 39 without winch 45	
Angle of departure..... (deg)	30
Fuel consumption, average conditions..... (miles per gal)	9
Cruising range, average conditions..... (miles)	270
Maximum allowable speed..... (mph)	48
Number of speeds forward.....		4

ENGINE

Manufacturer.....	Chevrolet..... Model 1942, BV-1001 up	
Type.....	In-line, 4 cycle..... Number of cylinders	6
Displacement..... (cu in.)	235.5
Governed speed..... (rpm)	3,100
Brake horsepower.....		83
Ignition type..... Battery	

ADDITIONAL DATA

Winch capacity..... (lb)	10,000
*Figures given are for vehicle without winch. For vehicles with winch use the following data:		
Weight (lb).....	Net—8,215; Payload—3,000; Gross	11,215
†Data on wood body model same as above data on steel body model, except as follows:		
Height (top up)..... (in.)	106½
Width..... (in.)	69¾
Top up..... (cu ft)	1,225
Top down..... (cu ft)	1,005

TM 9-2800

**STANDARD MILITARY MOTOR VEHICLES
TRUCK, COMBINATION STAKE AND PLATFORM,
15 FT, 1½-TON, 4 x 4**

Technical Manuals: TM 10-1131, TM 10-1203, Parts List: SNL G-506
TM 10-1559.

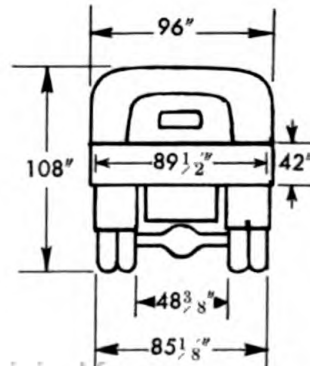
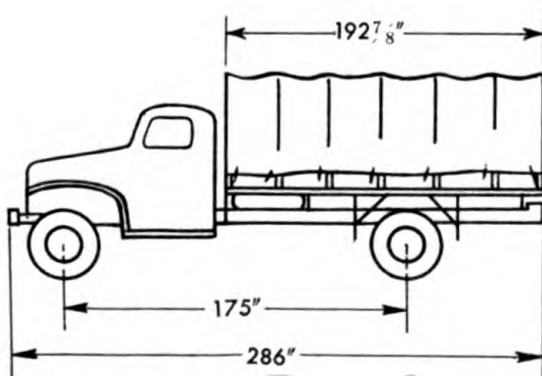
Manufacturer: Chevrolet Motor Div. (General Motors Corp.)



RA PD 66569

Classification: Standard

Purpose: To transport general cargo and personnel.



SECTION VIII—TRUCKS
TRUCK, COMBINATION STAKE AND PLATFORM,
15 FT, 1½-TON, 4 x 4

GENERAL DATA

Crew		2
Weight	Net	8,965
	Payload	3,000
	Gross	11,965
Shipping dimensions	(cu ft) 1,276	(sq ft) 177
Tires, type	Ply ... 8	Size ... 7.50 x 20
Tread, center to center (in.)	Front 60½	Rear 67½
Ground clearance		9 7/8
Pintle height		30 3/16
Electrical system		6
Capacities	Fuel, 72 octane gasoline ...	30
	Cooling system	16
	Crankcase (refill)	5
Brakes	Hydraulic	

PERFORMANCE

Maximum gradability	(percent)	65
Turning radius	(ft)	31
Fording depth	(in.)	32
Angle of approach	(deg)	41
Angle of departure	(deg)	29
Fuel consumption, average conditions	(miles per gal)	9
Cruising range, average conditions	(miles)	270
Maximum allowable speed	(mph)	48
Number of speeds forward		4

ENGINE

Manufacturer	Chevrolet	Model BVA-1001 up	
Type	In-line, 4 cycle	Number of cylinders	6
Displacement		(cu in.)	235.5
Governed speed		(rpm)	3,100
Brake horsepower			80
Ignition type		Battery	

ADDITIONAL DATA

.....

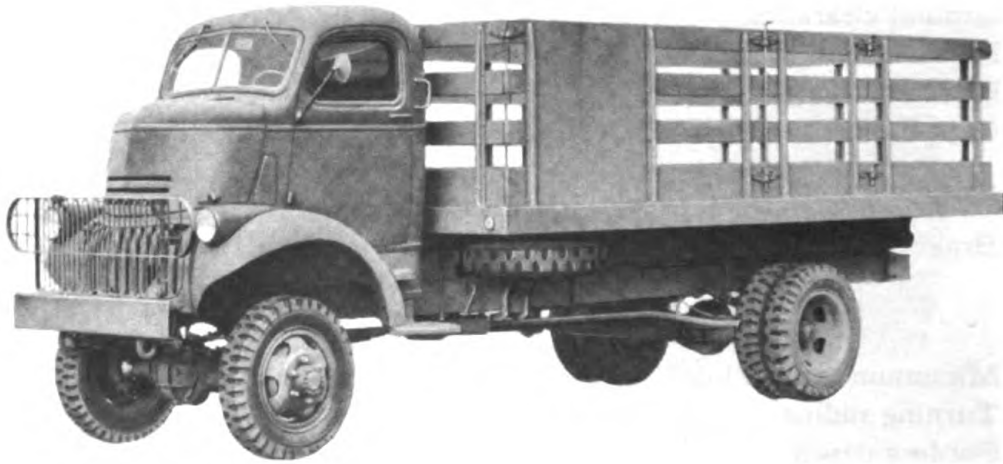
Generated on 2013-05-08 14:57 GMT / http://hdl.handle.net/2027/uc1.b3244022
 Public Domain, Google-digitized / http://www.hathitrust.org/access_use#pd-google

STANDARD MILITARY MOTOR VEHICLES
TRUCK, COMBINATION STAKE AND PLATFORM, C.O.E.,
1½-TON, 4 x 4

Technical Manuals: TM 10-1203,
 TM 10-1131, TM 10-1559.

Parts List: SNL G-506

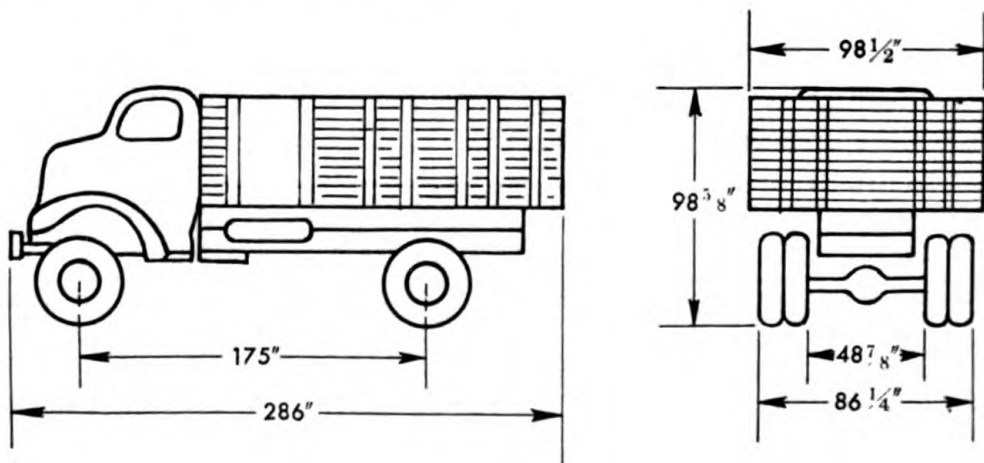
Manufacturer: Chevrolet Motor Div. (General Motors Corp.)



RA PD 66587

Classification: Limited standard

Purpose: To transport general cargo.



SECTION VIII—TRUCKS

**TRUCK, COMBINATION STAKE AND PLATFORM, C.O.E.,
1½-TON, 4 x 4**

GENERAL DATA

Crew		2
Weight	Net	(lb) 8,890
	Payload	(lb) 3,000
	Gross	(lb) 11,890
Shipping dimensions	(cu ft)	(sq ft)
Tires	Ply ... 8	Size ... 7.50 x 20
Tread, center to center (in.)	Front 60½	Rear 67½
Ground clearance		(in.) 10
Electrical system		(volts) 6
Capacities	Fuel, 72 octane gasoline ...	(gal) 30
	Cooling system	(qt) 16
	Crankcase (refill)	(qt) 5
Brakes		Hydraulic

PERFORMANCE

Maximum gradability	(percent)	65
Turning radius	(ft)	31
Fording depth	(in.)	
Angle of approach	(deg)	41½
Angle of departure	(deg)	29
Fuel consumption, average conditions	(miles per gal)	8
Cruising range, average conditions	(miles)	240
Maximum allowable speed	(mph)	43
Number of speeds forward		4

ENGINE

Manufacturer	Chevrolet	Model BVA-1001 up
Type	In-line, 4 cycle	Number of cylinders 6
Displacement		(cu in.) 235.5
Governed speed		(rpm) 2,850
Brake horsepower		90
Ignition type		Battery

ADDITIONAL DATA

.....

Generated on 2013-05-08 14:56 GMT / http://hdl.handle.net/2027/uc1.b3244022
 Public Domain, Google-digitized / http://www.hathitrust.org/access_use#pd-google

TM 9-2800

**STANDARD MILITARY MOTOR VEHICLES
TRUCK, COMBINATION STAKE AND PLATFORM, C.O.E.,
1½-TON, 4 x 4, K-33 AND K-54**

Technical Manuals:

Parts List:

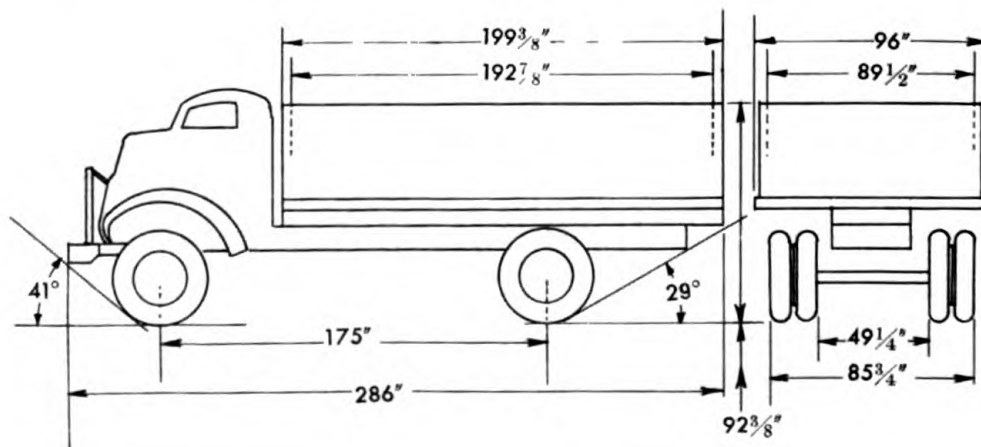
Manufacturer: Chevrolet Motor Div. (General Motors Corp.)



RA PD 66587

Classification: K-33 limited standard; K-54 standard

Purpose: Used by Signal Corps to transport general cargo.



SECTION VIII—TRUCKS
TRUCK, COMBINATION STAKE AND PLATFORM, C.O.E.
1½-TON, 4 x 4, K-33 AND K-54

GENERAL DATA

Crew		2
Weight	Net	8,570
	Payload	3,000
	Gross	11,570
Shipping dimensions	(cu ft) 1,963	(sq ft) 191
Tires	Ply ... 8	Size ... 7.50 x 20
Tread, center to center		68
Ground clearance		9½
Electrical system		6
Capacities	Fuel, 70 octane gasoline ...	30
	Cooling system	16
	Crankcase (refill)	7½
Brakes	(Hydrovac) Hydraulic	

PERFORMANCE

Maximum gradability	(percent)	65
Turning radius	(ft)	31
Fording depth	(in.)	32
Angle of approach	(deg)	41
Angle of departure	(deg)	23
Fuel consumption, average conditions	(miles per gal)	8
Cruising range, average conditions	(miles)	240
Maximum allowable speed	(mph)	43
Number of speeds forward		4

ENGINE

Manufacturer	Chevrolet	Model BVA-1001 up	
Type	In-line, 4 cycle	Number of cylinders	6
Displacement		(cu in.)	235.5
Governed speed		(rpm)	2,850
Brake horsepower			83
Ignition type		Battery	

ADDITIONAL DATA

K-33 is the same as K-54.

.....

.....

.....

STANDARD MILITARY MOTOR VEHICLES
TRUCK, DUMP, 1½-TON, 4 x 4

Technical Manuals: Chevrolet, Parts Lists: SNL G-621 (Dodge)
 TM 10-1557, TM 10-1127 (C1), SNL G-506 (Chev.)
 TM 10-1203, TM 10-1431.

Dodge, TM 10-1179, TM 10-1193.

Manufacturers: Chevrolet Motor Div. (General Motors Corp.); Dodge
 Brothers (Div. of Chrysler Corp.).

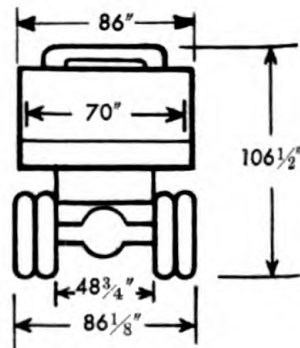
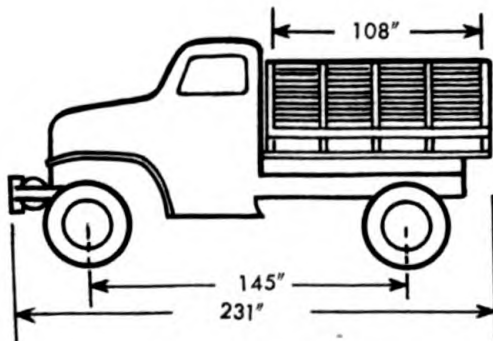


RA PD 66571

Vehicle illustrated above: Chevrolet

Classification: Limited standard

Purpose: To transport and dump earth, sand, gravel, coal, etc., and to
 carry general cargo.



SECTION VIII—TRUCKS
TRUCK, DUMP, 1½-TON, 4 x 4

GENERAL DATA

Crew		2
Weight	Net	(lb) 8,300*
	Payload	(lb) 3,000*
	Gross	(lb) 11,300*
Shipping dimensions	(cu ft)	(sq ft)
Tires	Ply ... 8	Size ... 7.50 x 20
Tread, center to center (in.)	Front 60½	Rear 67½
Ground clearance		(in.) 10
Pintle height		(in.) 30 ³ / ₁₆
Electrical system		(volts) 6
Capacities	Fuel, 72 octane gasoline	(gal) 30
	Cooling system	(qt) 17
	Crankcase (refill)	(qt) 5
Brakes		Hydraulic

PERFORMANCE

Maximum gradability	(percent)	65
Turning radius	(ft)	29½
Fording depth	(in.)	32
Angle of approach (deg)	with winch 39 .. without winch 45	
Angle of departure	(deg)	30
Fuel consumption, average conditions	(miles per gal)	9
Cruising range, average conditions	(miles)	270
Maximum allowable speed	(mph)	48
Number of speeds forward		4

ENGINE

Manufacturer	Chevrolet	Model 1941 BV-1001 up
Type	In-line, 4 cycle	Number of cylinders 6
Displacement		(cu in.) 235.5
Governed speed		(rpm) 3,100
Brake horsepower		83
Ignition type		Battery

ADDITIONAL DATA

Winch capacity	(lb)	10,000
----------------------	------	--------

*Figures given are for vehicles without winch. For vehicles with winch use the following data:

Weight (lb)	Net 9,130	Payload 3,000	Gross 12,130
-------------------	-----------------	---------------------	--------------

STANDARD MILITARY MOTOR VEHICLES
TRUCK, EARTH AUGER, 1½-TON, 4 x 4, M1

Technical Manuals: Chevrolet,
TM 10-1127, TM 10-1203.

Parts Lists:

Manufacturers: Chevrolet Motor Div. (General Motors Corp.); Ford
Motor Co.

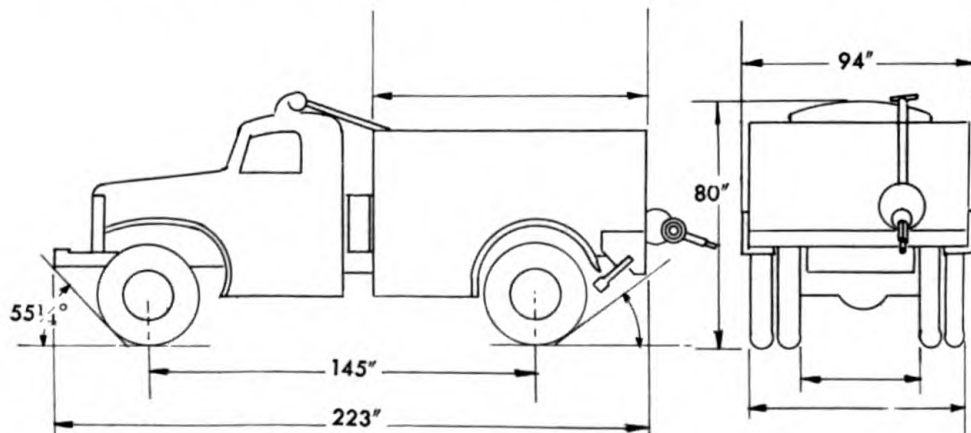


RA PD 66573

Vehicle illustrated above: Chevrolet

Classification: Limited standard

Purpose: Used by Corps of Engineers to provide mobile equipment for
earth boring and telephone pole setting.



SECTION VIII—TRUCKS
TRUCK, EARTH AUGER, 1½-TON, 4 x 4, M1

GENERAL DATA

Crew		2
Weight	Net	(lb) 7,200
	Payload	(lb) 3,000
	Gross	(lb) 10,200
Shipping dimensions	(cu ft) 1,419	(sq ft) 164
Tires	Ply . 8	Size . 7.50 x 20
Ground clearance		(in.) 9 ⁷ / ₈
Electrical system		(volts) 6
Capacities	Fuel, 70 octane gasoline	(gal) 35
	Cooling system	(qt) 17
	Crankcase (refill)	(qt) 7 ¹ / ₂
	Transmission w/o P.T.O.	(pt) 5 ¹ / ₂
Brakes		Hydraulic

PERFORMANCE

Maximum gradability	(percent)	65
Turning radius	(ft)	29 ¹ / ₂
Fording depth	(in.)	32
Angle of approach	(deg)	45
Angle of departure	(deg)	30
Fuel consumption, average conditions	(miles per gal)	9
Cruising range, average conditions	(miles)	315
Maximum allowable speed	(mph)	48
Number of speeds forward		

ENGINE

Manufacturer	Chevrolet	Model BV-1001 up
Type	In-line, 4 cycle	Number of cylinders 6
Displacement		(cu in.) 235
Governed speed		(rpm) 3,100
Brake horsepower		83
Ignition type		Battery

ADDITIONAL DATA

Winch capacity	(lb)	10,000
.....		
.....		
.....		

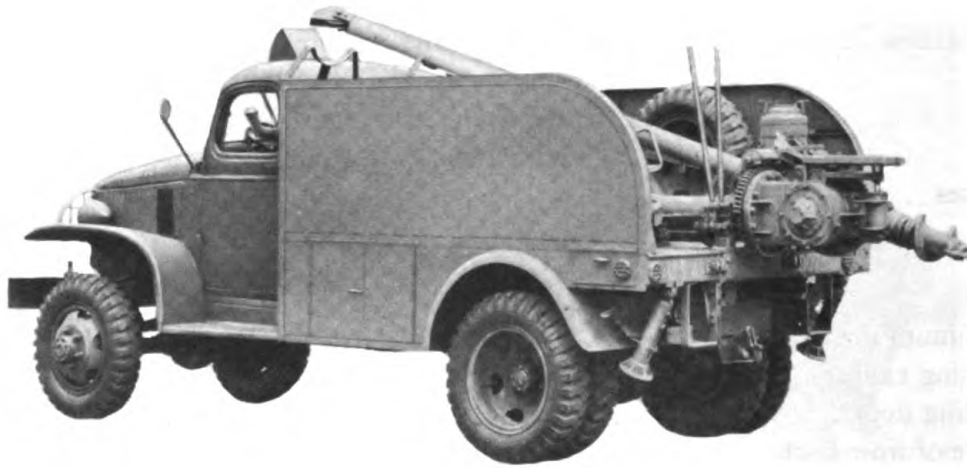
TM 9-2800

**STANDARD MILITARY MOTOR VEHICLES
TRUCK, EARTH BORER AND POLESETTER,
1½-TON, 4 x 4, K-44**

Technical Manuals:

Parts List:

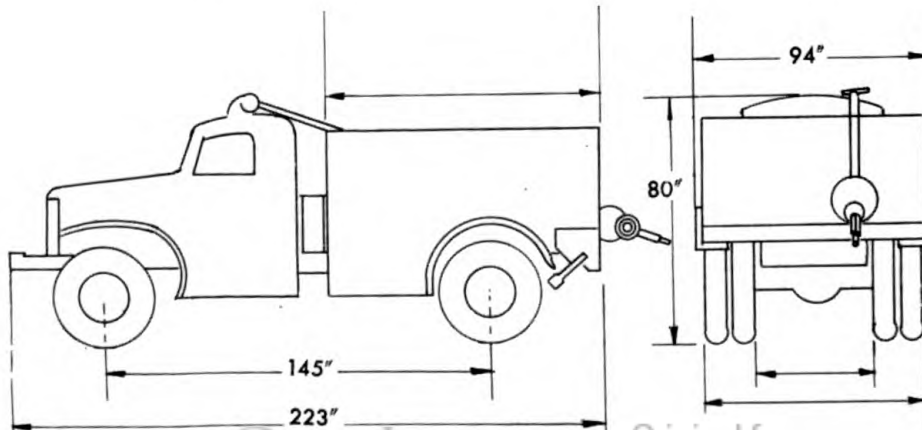
Manufacturer: Chevrolet Motor Div. (General Motors Corp.)



RA PD 66573

Classification: Standard

Purpose: Used by Signal Corps to provide mobile equipment for earth-boring and telephone pole-setting.



SECTION VIII—TRUCKS
TRUCK, EARTH BORER AND POLESETTER,
1½-TON, 4 x 4, K-44

GENERAL DATA

Crew		2
Weight	Net	7,200
	Payload	3,000
	Gross	10,200
Shipping dimensions	(cu ft) 1,438	(sq ft) 164
Tires	Ply ... 8	Size ... 7.50 x 20
Ground clearance		(in.) 97½
Electrical system		(volts) 6
Capacities	Fuel, 70 octane gasoline ...	(gal) 35
	Cooling system	(qt) 17
	Crankcase (refill)	(qt) 7½
Brakes		Hydraulic

PERFORMANCE

Maximum gradability	(percent)	65
Turning radius	(ft)	29½
Fording depth	(in.)	32
Angle of approach	(deg)	55
Angle of departure	(deg)	39
Fuel consumption, average conditions	(miles per gal)	9
Cruising range, average conditions	(miles)	315
Maximum allowable speed	(mph)	48
Number of speeds forward		4

ENGINE

Manufacturer	Chevrolet	Model BV-1001 up
Type	In-line, 4 cycle	Number of cylinders 6
Displacement		(cu in.) 235.5
Governed speed		(rpm) 3,100
Brake horsepower		83
Ignition type		Battery

ADDITIONAL DATA

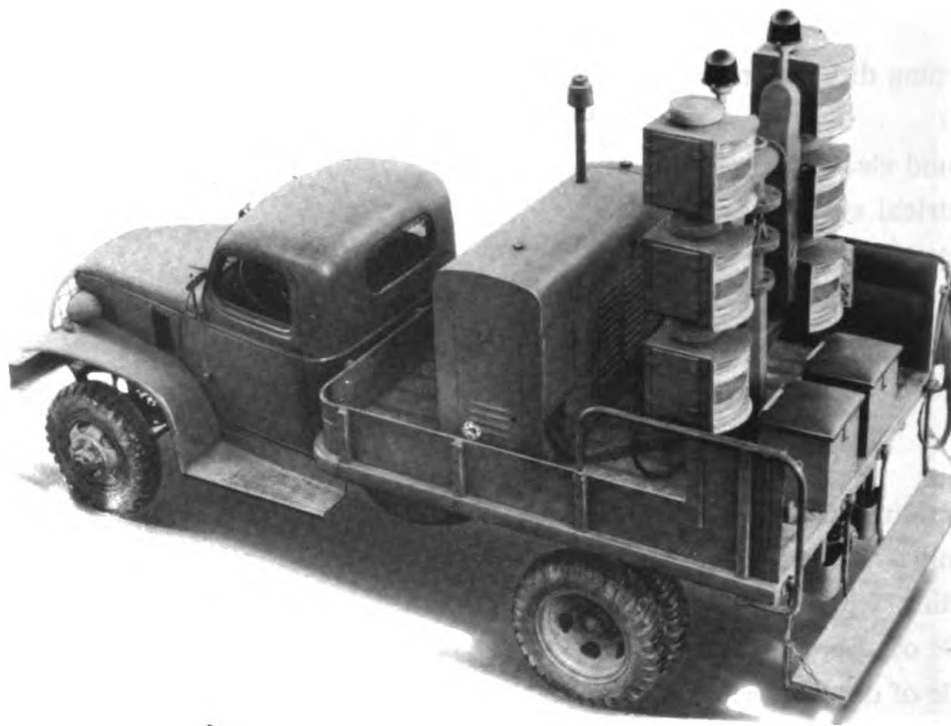
Winch capacity	(lb)	10,000
----------------------	------	--------

**STANDARD MILITARY MOTOR VEHICLES
TRUCK, FIELD LIGHTING, 1½-TON,
4 x 4, J-3 AND J-4**

Technical Manuals:

Parts List:

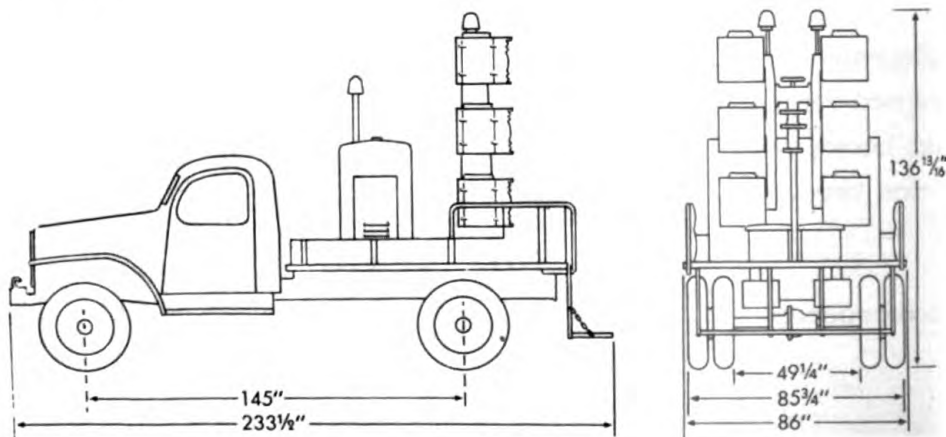
Manufacturers: Chevrolet Motor Div. (General Motors Corp.);
Equipment—American Gas Accumulator Co., Models J-3, J-4.



RA PD 309024

Classification: Standard

Purpose: Used by Army Air Forces to transport lighting equipment for airfields.



SECTION VIII—TRUCKS
TRUCK, FIELD LIGHTING, 1½-TON,
4 x 4, J-3 AND J-4

GENERAL DATA

Crew		2
Weight	Net	7,200
	Payload	3,000
	Gross	10,200
Shipping dimensions	(cu ft) 1,430	(sq ft) 130
Tires	Ply ... 8	Size ... 7.50 x 20
Tread, center to center (in.)	Front	Rear
Ground clearance		(in.) 9 7/8
Electrical system		(volts) 6
Capacities	Fuel, 70 octane gasoline	(gal) 30
	Cooling system	(qt) 17
	Crankcase (refill)	(qt) 7 1/2
Brakes		Hydraulic

PERFORMANCE

Maximum gradability	(percent)	65
Turning radius	(ft)	28
Fording depth	(in.)	32
Angle of approach	(deg)	45
Angle of departure	(deg)	30
Fuel consumption, average conditions	(miles per gal)	9
Cruising range, average conditions	(miles)	195
Maximum allowable speed	(mph)	48
Number of speeds forward		

ENGINE

Manufacturer	Chevrolet	Model BV-1001 up	
Type	In-line, 4 cycle	Number of cylinders	6
Displacement		(cu in.)	235.5
Governed speed		(rpm)	3,100
Brake horsepower			83
Ignition type		Battery	

ADDITIONAL DATA

Difference between J-3 and J-4 is power plant for electrical supply.

.....

TM 9-2800

STANDARD MILITARY MOTOR VEHICLES
TRUCK, FIELD LIGHTING, 1½-TON, 4 x 4, J-5

Technical Order: T.O. 19-10-7.

Parts List:

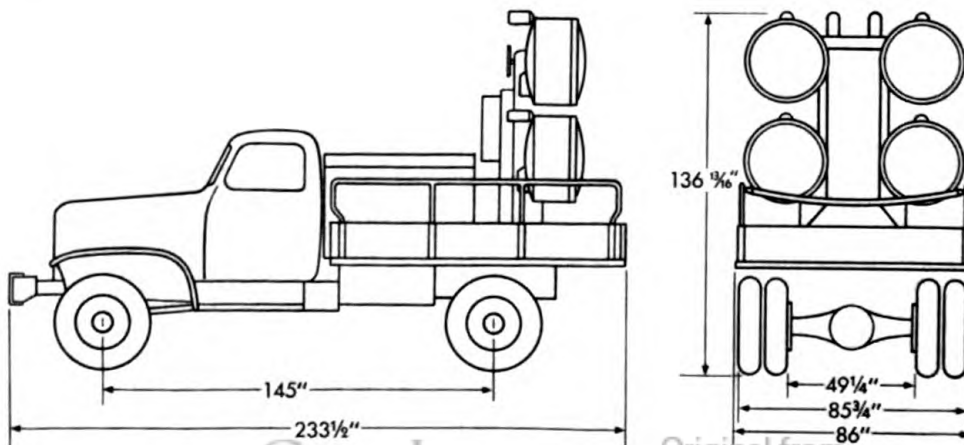
Manufacturers: Chevrolet Motor Div. (General Motors Corp.);
Equipment—Davey Compressor Co., Model J-5.



RA PD 309028

Classification: Standard

Purpose: Used by Army Air Forces to transport lighting equipment for airfields.



Digitized by Google

SECTION VIII—TRUCKS
TRUCK, FIELD LIGHTING, J-5, 1½-TON, 4 x 4

GENERAL DATA

Crew.....		2
Weight.....	Net..... (lb)	7,200
	Payload..... (lb)	3,000
	Gross..... (lb)	10,200
Shipping dimensions.....	(cu ft) 1,430..... (sq ft) 130	
Tires.....	Ply ... 8..... Size ... 7.50 x 20	
Tread, center to center (in.)	Front..... Rear	
Ground clearance.....	(in.)	9 ⁷ / ₈
Electrical system.....	(volts)	6
Capacities.....	Fuel, 70 octane gasoline..... (gal)	30
	Cooling system..... (qt)	17
	Crankcase (refill)..... (qt)	7 ¹ / ₂
Brakes.....	Hydraulic	

PERFORMANCE

Maximum gradability.....	(percent)	65
Turning radius.....	(ft)	28
Fording depth.....	(in.)	32
Angle of approach.....	(deg)	45
Angle of departure.....	(deg)	30
Fuel consumption, average conditions.....	(miles per gal)	9
Cruising range, average conditions.....	(miles)	195
Maximum allowable speed.....	(mph)	48
Number of speeds forward.....		

ENGINE

Manufacturer.....	Chevrolet.....	Model BV-1001 up	
Type.....	In-line, 4 cycle.....	Number of cylinders	6
Displacement.....	(cu in.)		235.5
Governed speed.....	(rpm)		3,100
Brake horsepower.....			83
Ignition type.....	Battery		

ADDITIONAL DATA

Chassis is equipped with power take-off for generator.

.....

.....

.....

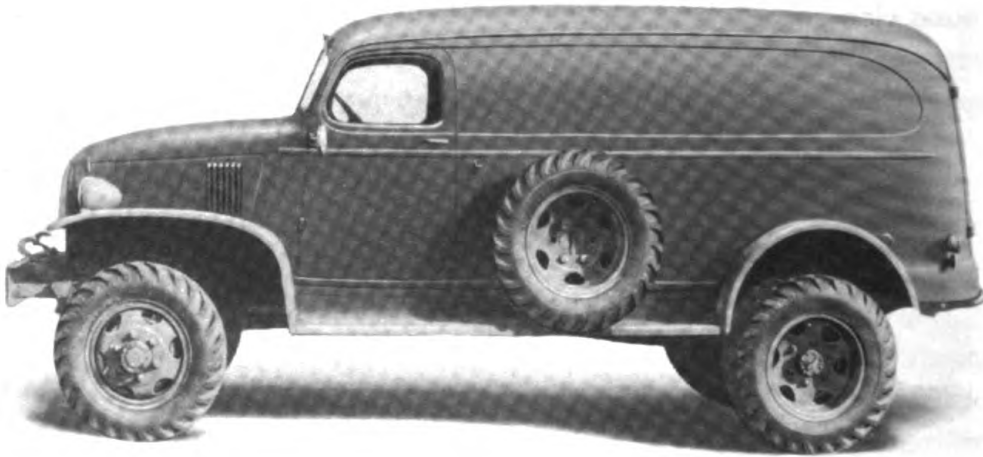
TM 9-2800

**STANDARD MILITARY MOTOR VEHICLES
TRUCK, PANEL DELIVERY, 1½-TON, 4 x 4**

Technical Manuals: TM 10-1203,
TM 10-1127 (C1), TM 10-1431.

Parts List: SNL G-506

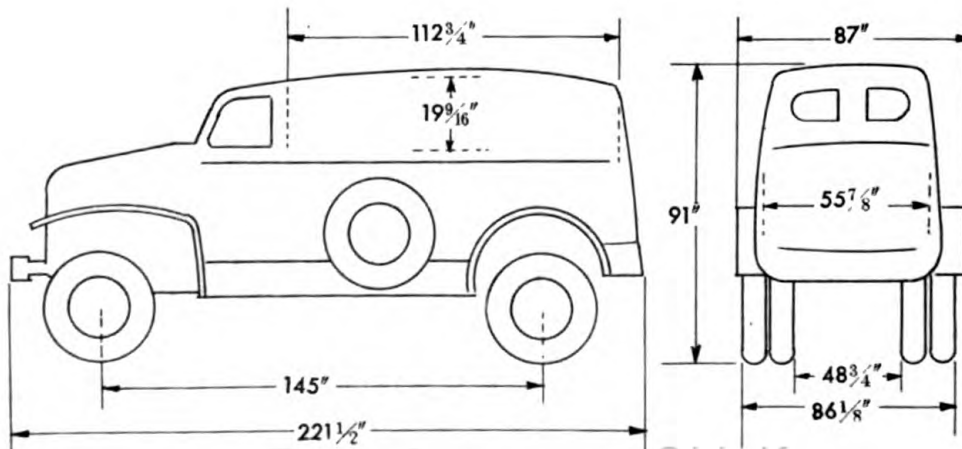
Manufacturer: Chevrolet Motor Div. (General Motors Corp.)



Classification: Standard

RA PD 309098

Purpose: To transport general cargo.



SECTION VIII—TRUCKS
TRUCK, PANEL DELIVERY, 1½-TON, 4 x 4

GENERAL DATA

Crew		2
Weight	Net	6,760
	Payload	3,000
	Gross	9,760
Shipping dimensions	(cu ft) (sq ft)	
Tires	Ply . . . 8 Size . . . 7.50 x 20	
Tread, center to center (in.)	Front 60½ Rear 67½	
Ground clearance	(in.)	97½
Electrical system	(volts)	6
Capacities	Fuel, 72 octane gasoline . . .	30
	Cooling system	17
	Crankcase (refill)	5
Brakes	Hydraulic	

PERFORMANCE

Maximum gradability	(percent)	65
Turning radius	(ft)	28
Fording depth	(in.)	32
Angle of approach	(deg)	45
Angle of departure	(deg)	30
Fuel consumption, average conditions	(miles per gal)	9
Cruising range, average conditions	(miles)	270
Maximum allowable speed	(mph)	48
Number of speeds forward		4

ENGINE

Manufacturer	Chevrolet	Model 1942 BV-1001 up	
Type	In-line, 4 cycle	Number of cylinders	6
Displacement	(cu in.)		235.5
Governed speed	(rpm)		3,100
Brake horsepower			83
Ignition type	Battery		

ADDITIONAL DATA

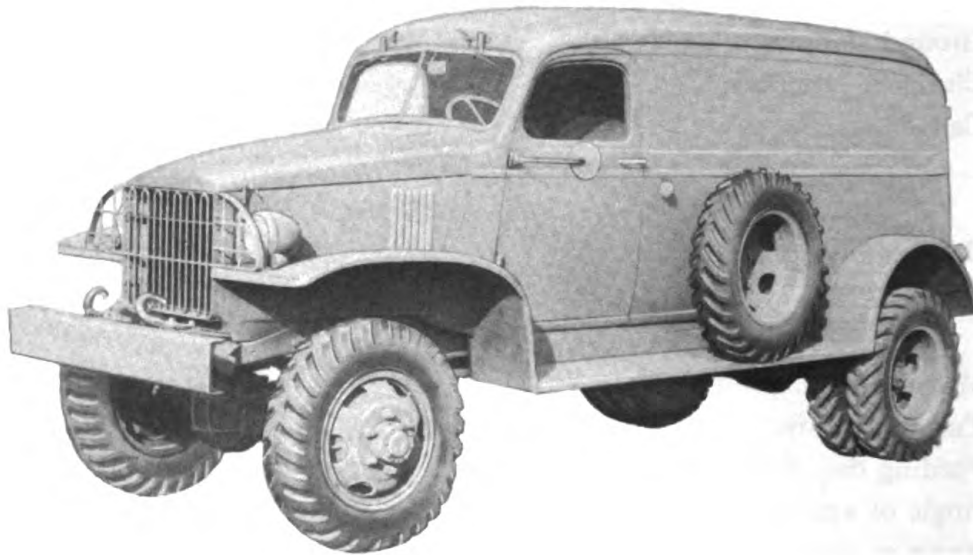
.....

STANDARD MILITARY MOTOR VEHICLES
TRUCK, PANEL DELIVERY, 1½-TON, 4 x 4, K-51

Technical Manuals: TM 10-1203,
TM 10-1127 (C1), TM 10-1431.

Parts List:

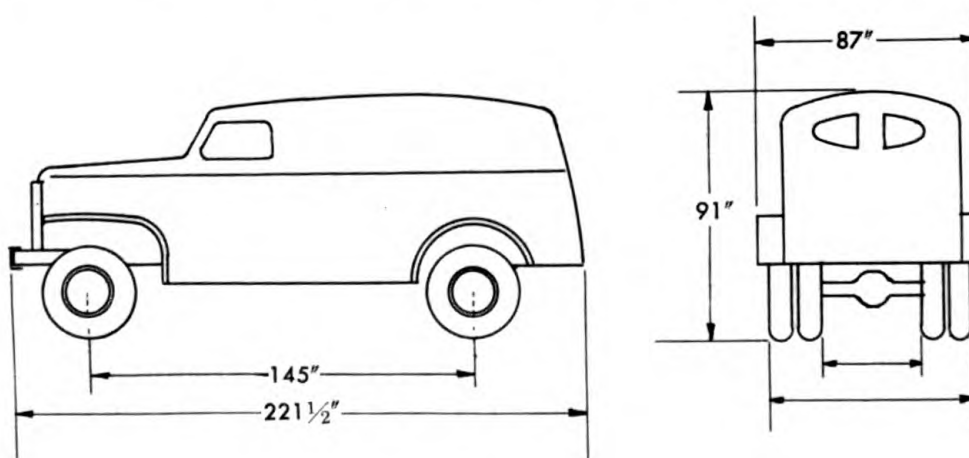
Manufacturer: Chevrolet Motor Div. (General Motors Corp.), (Model G 7107).



RA PD 66581

Classification: Limited standard

Purpose: Used by the Signal Corps to transport light general cargo.



SECTION VIII—TRUCKS
TRUCK, PANEL DELIVERY, 1½-TON, 4 x 4, K-51

GENERAL DATA

Crew		2
Weight	Net	6,760
	Payload	3,000
	Gross	9,760
Shipping dimensions	(cu ft) 1,541	(sq ft) 133
Tires	Ply ... 8	Size ... 7.50 x 20
Ground clearance		97 ⁷ / ₈
Tread, center to center		67 ³ / ₄
Electrical system		(volts) 6
Capacities	Fuel, 70 octane gasoline	(gal) 30
	Cooling system	(qt) 17
	Crankcase (refill)	(qt) 7 ¹ / ₂
Brakes		Hydraulic

PERFORMANCE

Maximum gradability	(percent)	65
Turning radius	(ft)	29 ¹ / ₂
Fording depth	(in.)	32
Angle of approach	(deg)	53
Angle of departure	(deg)	40
Fuel consumption, average conditions	(miles per gal)	9
Cruising range, average conditions	(miles)	270
Maximum allowable speed	(mph)	48
Number of speeds forward		

ENGINE

Manufacturer	Chevrolet	Model BV-1001 up	
Type	In-line, 4 cycle	Number of cylinders	6
Displacement		(cu in.)	235.5
Governed speed		(rpm)	3,100
Brake horsepower			83
Ignition type		Battery	

ADDITIONAL DATA

.....

TM 9-2800

**STANDARD MILITARY MOTOR VEHICLES
TRUCK, TELEPHONE CONSTRUCTION AND
MAINTENANCE, 1½-TON, 4 x 4, K-43**

Technical Manual: TM 10-1203.

Parts List:

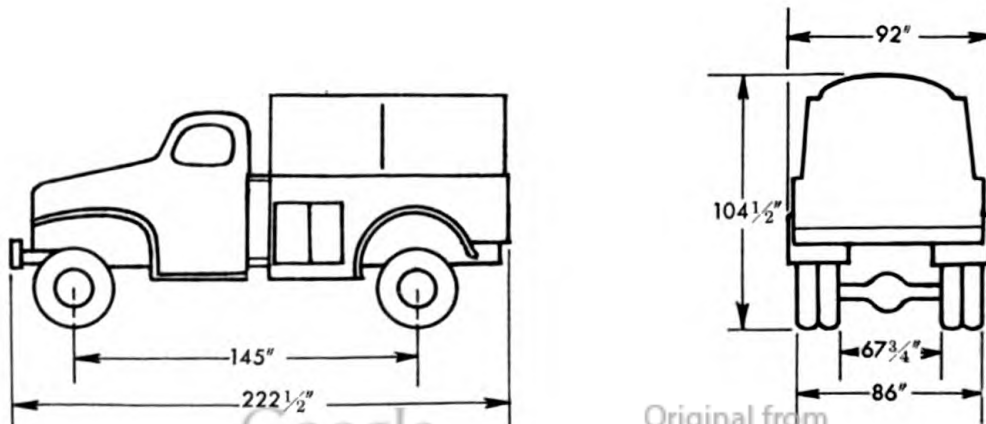
Manufacturer: Chevrolet Motor Div. (General Motors Corp.)



RA PD 66589

Classification: Limited standard

Purpose: Used by Signal Corps to provide mobile facilities for telephone maintenance and construction.



Digitized by Google

Original from
UNIVERSITY OF CALIFORNIA

SECTION VIII—TRUCKS
TRUCK, TELEPHONE CONSTRUCTION AND
MAINTENANCE, 1½-TON, 4 x 4, K-43

GENERAL DATA

Crew.....		2
Weight.....	Net.....(lb)	10,215
	Payload.....(lb)	1,035
	Gross.....(lb)	11,250
Shipping dimensions.....	(cu ft) 3,070.....(sq ft) 140	
Tires.....	Ply...8.....Size...7.50 x 20	
Ground clearance.....	(in.)	97½
Electrical system.....	(volts)	6
Capacities.....	Fuel, 70 octane gasoline....(gal)	35
	Cooling system.....(qt)	17
	Crankcase.....(qt)	7½
Brakes.....	Hydraulic	

PERFORMANCE

Maximum gradability.....	(percent)	65
Turning radius.....	(ft)	29½
Fording depth.....	(in.)	32
Angle of approach.....	(deg)	54
Angle of departure.....	(deg)	35
Fuel consumption, average conditions.....	(miles per gal)	9
Cruising range, average conditions (approx).....	(miles)	315
Maximum allowable speed.....	(mph)	48
Number of speeds forward.....		4

ENGINE

Manufacturer.....	Chevrolet.....	Model BV-1001 up	
Type.....	In-line, 4 cycle.....	Number of cylinders	6
Displacement.....	(cu in.)		235.5
Governed speed.....	(rpm)		3,100
Brake horsepower.....			83
Ignition type.....	Battery		

ADDITIONAL DATA

Winch capacity.....	(lb)
.....	
.....	
.....	

STANDARD MILITARY MOTOR VEHICLES TRUCK, TURRET TRAINER, 1½-TON, 4 x 4, E-5

Technical Order: T.O. 11-65-1

Parts List:

Manufacturers: Chevrolet Motor Div. (General Motors Corp.)

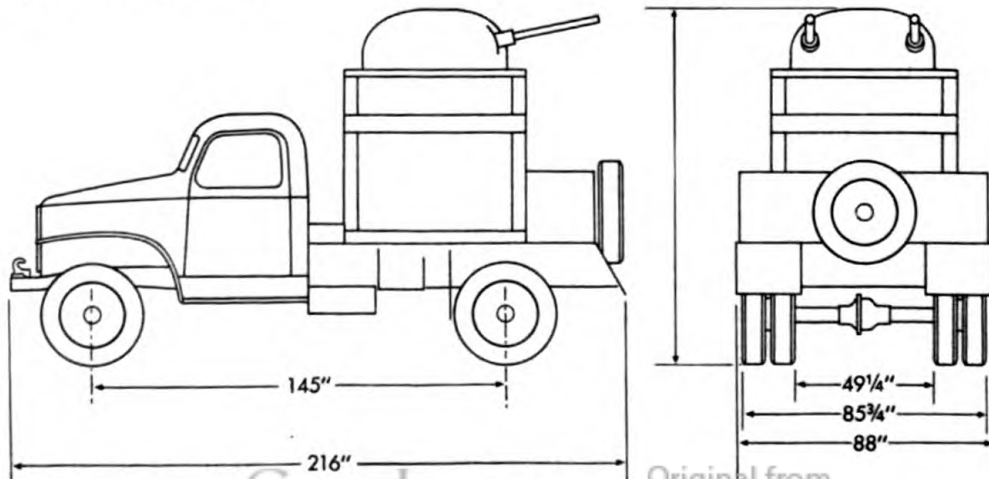
Equipment—Herman Body Co.



RA PD 309026

Classification: Standard

Purpose: Used by Army Air Forces to provide mobile facilities for aerial gunnery training.



SECTION VIII—TRUCKS
TRUCK, TURRET TRAINER, 1½-TON, 4 x 4, E-5

GENERAL DATA

Crew.....		
Weight.....	Net.....(lb)	6,775
	Payload.....(lb)	3,000
	Gross.....(lb)	9,775
Shipping dimensions.....	(cu ft) 1,294.....(sq ft) 132	
Tires.....	Ply...8.....Size...7.50 x 20	
Tread, center to center (in.)	Front.....Rear	
Ground clearance.....	(in.)	97½
Electrical system.....	(volts)	6
Capacities.....	Fuel, 70 octane gasoline....(gal)	30
	Cooling system.....(qt)	17
	Crankcase (refill).....(qt)	7½
Brakes.....	(Hydrovac) Hydraulic	

PERFORMANCE

Maximum gradability.....	(percent)	65
Turning radius.....	(ft)	29½
Fording depth.....	(in.)	32
Angle of approach.....	(deg)	45
Angle of departure.....	(deg)	
Fuel consumption, average conditions.....	(miles per gal)	9
Cruising range, average conditions.....	(miles)	270
Maximum allowable speed.....	(mph)	48
Number of speeds forward.....		

ENGINE

Manufacturer.....	Chevrolet.....	Model BV-1001 up	
Type.....	In-line, 4 cycle.....	Number of cylinders	6
Displacement.....	(cu in.)		235.5
Governed speed.....	(rpm)		3,100
Brake horsepower.....			83
Ignition type.....	Battery		

ADDITIONAL DATA

.....

.....

.....

.....

.....

TM 9-2800

**STANDARD MILITARY MOTOR VEHICLES
TRUCK, CARGO AND PERSONNEL CARRIER,
1½-TON, 6 x 6**

Technical Manuals: TM 9-810, TM 9-1808A. Parts List: SNL G-507

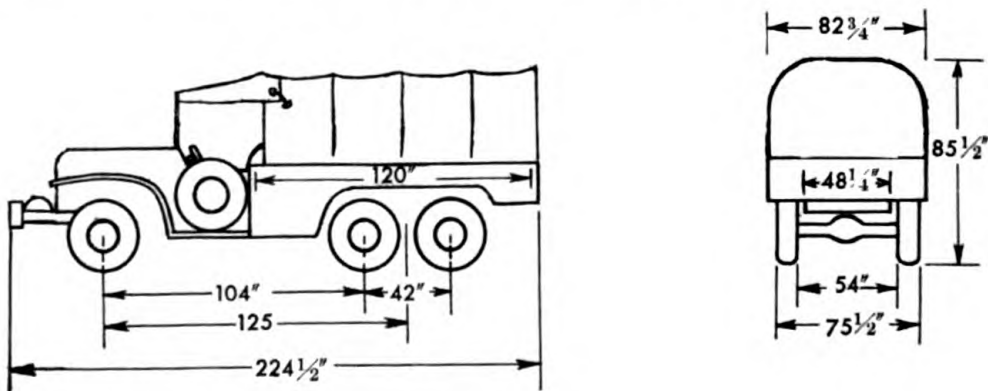
Manufacturer: Dodge Brothers Corp. (Div. of Chrysler Corp.)



RA PD 66585

Classification: Standard

Purpose: To transport personnel and general cargo.



SECTION VIII—TRUCKS
TRUCK, CARGO AND PERSONNEL CARRIER,
1½-TON, 6 x 6

GENERAL DATA

Crew, operating 2	Passenger capacity, including crew	
Weight	Net (lb)	6,925*
	Payload (lb)	3,000*
	Gross (lb)	9,925*
Shipping dimensions	(cu ft) (sq ft)	
Tires	Ply . . . 8 Size . . . 9.00 x 16	
Tread, center to center	(in.)	64 ³ / ₄
Ground clearance	(in.)	10 ⁵ / ₈
Pintle height (in.)	Loaded 26 ³ / ₄ Unloaded 27 ⁵ / ₁₆	
Electrical system	(volts)	6
Capacities	Fuel, 70 octane gasoline . . . (gal)	30
	Cooling system (qt)	18
	Crankcase (qt)	5
Brakes	Hydraulic	

PERFORMANCE

Maximum gradability	(percent)	60
Turning radius	(ft)	26 ¹ / ₂
Fording depth	(in.)	34
Angle of approach (deg) . . with winch 37 ¹ / ₂ . . . without winch 54		
Angle of departure	(deg)	31
Fuel consumption, average conditions	(miles per gal)	8
Cruising range, average conditions	(miles)	240
Maximum allowable speed	(mph)	54
Number of speeds forward		4

ENGINE

Manufacturer Dodge	Model T-223	
Type In-line, 4 cycle	Number of cylinders	6
Displacement	(cu in.)	230.2
Governed speed	(rpm)	3,200
Brake horsepower		92
Ignition type	Battery	

ADDITIONAL DATA

Winch capacity	(lb)	5,000
--------------------------	------	-------

*Figures given are for vehicles without winch. For vehicles with winch use the following data:

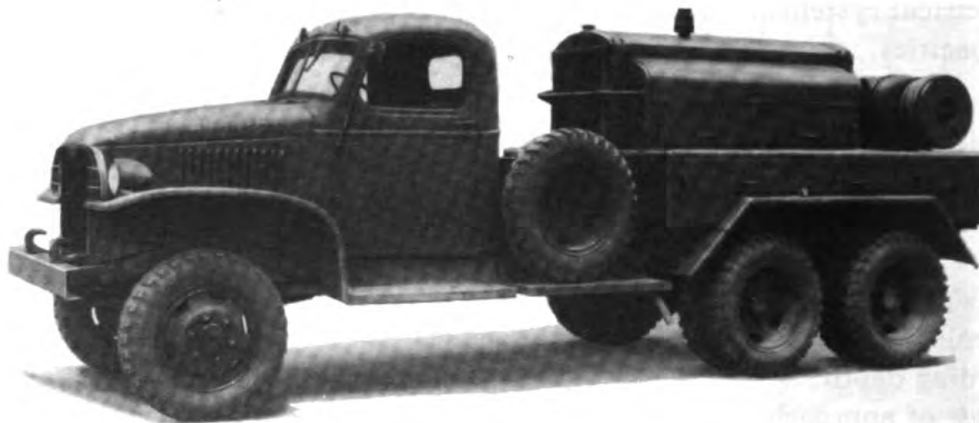
Weight (lb) Net 7,375; Payload 3,000; Gross 10,375

STANDARD MILITARY MOTOR VEHICLES
TRUCK, AIR COMPRESSOR, 2½-TON, 6 x 6

Technical Manuals:

Parts List: SNL G-508

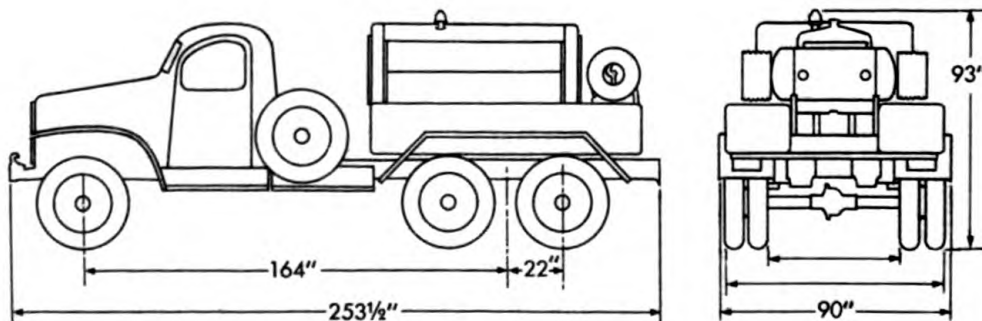
Manufacturers: Chassis and Cab, General Motors Truck and Coach
Div. of Yellow Truck and Coach Mfg. Co.; Air Compressor, Le Roi
Model D 318.



RA PD 308990

Classification: Standard

Purpose: To provide mobile air compression equipment (Corps of
Engineers).



SECTION VIII—TRUCKS
TRUCK, AIR COMPRESSOR, 2½-TON, 6 x 6

GENERAL DATA

Crew		2
Weight	Gross	(lb) 14,300
Shipping dimensions	(cu ft) 1,304	(sq ft) 163
Tires	Ply ... 8	Size ... 7.50 x 20
Ground clearance		(in.) 10
Electrical system		(volts) 6
Capacities	Fuel, 70 octane gasoline ...	(gal) 40
	Cooling system	(qt) 19
	Crankcase (refill)	(qt) 11
Brakes	(Hydrovac) Hydraulic	

PERFORMANCE

Maximum gradability	(percent)	65
Turning radius (ft)	Right 34	Left 35
Fording depth	(in.)	
Angle of approach	(deg)	54
Angle of departure	(deg)	36
Fuel consumption, average conditions	(miles per gal)	7.5
Cruising range, average conditions	(miles)	240
Maximum allowable speed	(mph)	45
Number of speeds forward		

ENGINE

Manufacturer	GMC	Model 270
Type	In-line, 4 cycle	Number of cylinders 6
Displacement		(cu in.) 269.5
Governed speed		(rpm) 2,750
Brake horsepower		104
Ignition type		Battery

ADDITIONAL DATA

Motorized air compressor, Le Roi model 105 GA; powered by Le Roi model D318 (318 cu in.) engine equipped with 50 gallon gasoline tank. These vehicles built with open cab after July, 1943.

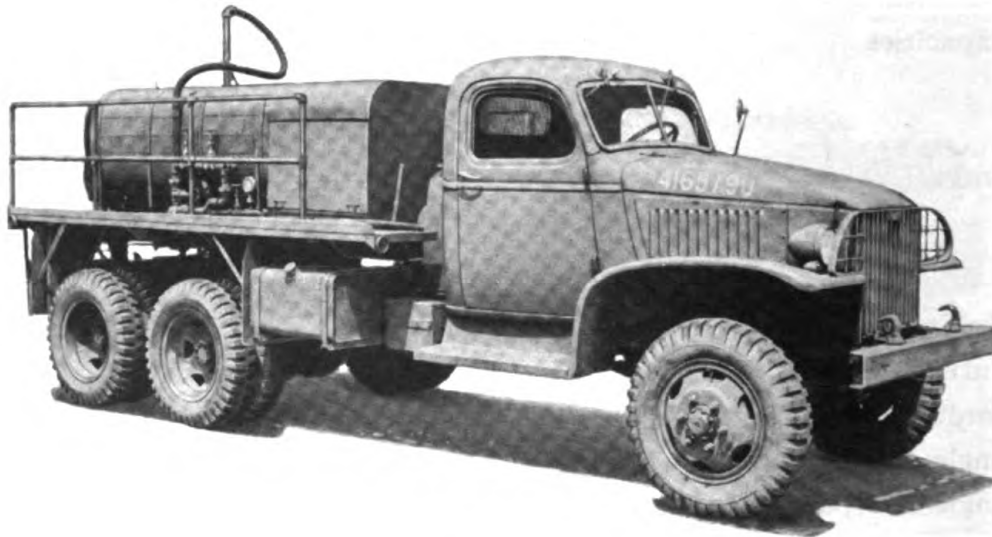
TM 9-2800

**STANDARD MILITARY MOTOR VEHICLES
APPARATUS, DECONTAMINATING, POWER-DRIVEN,
M3A1 (CHASSIS: TRUCK, 2½-TON, 6 x 6)**

Technical Manuals:

Parts List: SNL G-508

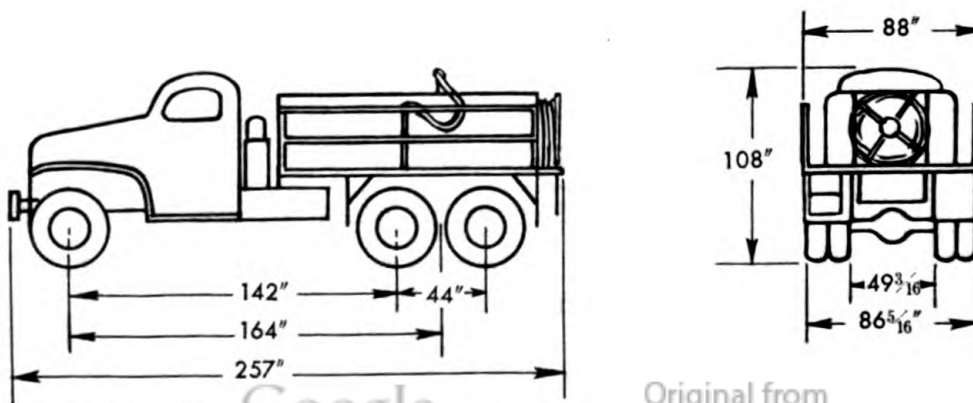
Manufacturer: General Motors Truck and Coach Div. of Yellow Truck
and Coach Mfg. Co.



RA PD 308979

Classification: Limited standard

Purpose: Used by Chemical Warfare Service to transport decontamination material and spraying equipment.



Digitized by Google

240

Original from
UNIVERSITY OF CALIFORNIA

SECTION VIII—TRUCKS
APPARATUS, DECONTAMINATING, POWER DRIVEN,
M3A1 (CHASSIS: TRUCK, 2½-TON, 6 x 6)

GENERAL DATA

Crew		4
Weight	Net	(lb) 9,910
	Payload	(lb) 5,000
	Gross	(lb) 14,910
Shipping dimensions	(cu ft) 1,414	(sq ft) 157
Tires	Ply... 8	Size... 7.50 x 20
Ground clearance		(in.) 10
Electrical system		(volts) 6
Capacities	Fuel, 70 octane gasoline	(gal) 40
	Cooling system	(qt) 19
	Crankcase (refill)	(qt) 11
Brakes		Hydraulic

PERFORMANCE

Maximum gradability	(percent)	65
Turning radius (ft)	Right 34	Left 35
Fording depth	(in)	
Angle of approach	(deg)	54
Angle of departure	(deg)	37
Fuel consumption, average conditions	(miles per gal)	7.5
Cruising range, average conditions	(miles)	240
Maximum allowable speed	(mph)	45
Number of speeds forward		5

ENGINE

Manufacturer	GMC	Model 270
Type	In-line, 4 cycle	Number of cylinders 6
Displacement		(cu in.) 269.5
Governed speed		(rpm) 2,750
Brake horsepower		104
Ignition, type		Battery

ADDITIONAL DATA

.....

STANDARD MILITARY MOTOR VEHICLES
TRUCK, CARGO, L.W.B., 2½-TON, 6 x 6

Technical Manuals:

GMC, TM 9-801.

IHC, TM 10-1505.

Studebaker, TM 10-1385 (C1),

TM 10-1503, TM 10-1565,

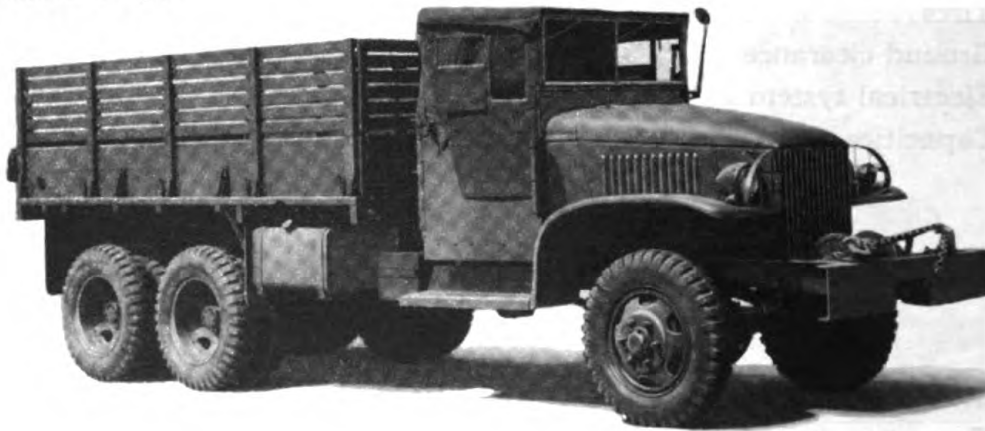
TM 10-1387.

Parts Lists: SNL G-508 (GMC)

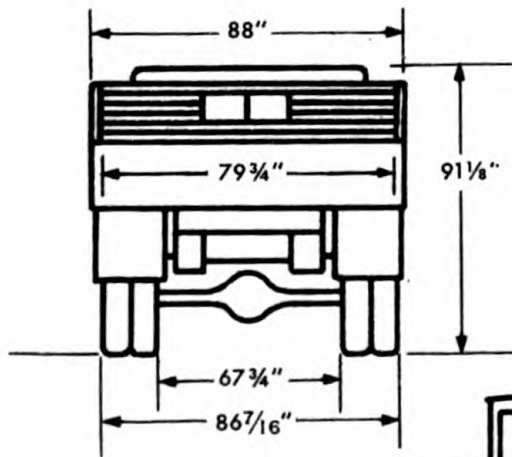
SNL G-651 (IHC)

SNL G-630 (Stud.)

Manufacturers: General Motors Truck and Coach Division of Yellow Truck and Coach Mfg. Co.; International Harvester Co.; The Studebaker Corp.



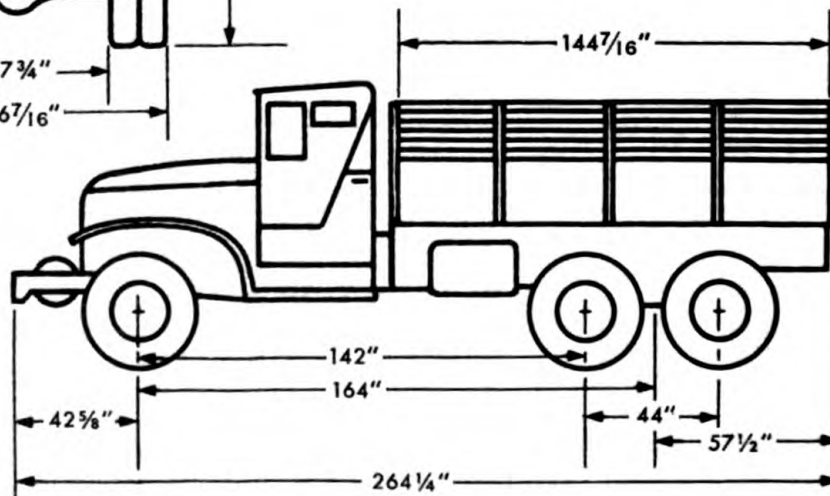
RA PD 308983



Vehicle illustrated above: GMC

Classification: Standard

Purpose: To transport general cargo.



SECTION VIII—TRUCKS
TRUCK, CARGO, L.W.B., 2½-TON, 6 x 6

GENERAL DATA

Crew, operating.....		2
Weight.....	Net.....(lb)	10,050*
	Payload.....(lb)	5,000*
	Gross.....(lb)	15,050*
Shipping dimensions.....	(cu ft) 1,429.....(sq ft) 156	*
Tires.....	Ply...8.....Size...7.50 x 20	
Tread, center to center (in.)	Front 62¼.....Rear 67¾	
Ground clearance.....	(in.)	10
Pintle height (in.).....	Loaded 30½.....Unloaded 32	
Electrical system.....	(volts)	6
Capacities.....	Fuel, 70 octane gasoline....(gal)	40
	Cooling system.....(qt)	19
	Crankcase (refill).....(qt)	10
Brakes.....	Hydraulic	

PERFORMANCE

Maximum gradability.....	(percent)	65
Turning radius (ft).....	Right 34.....Left 35	
Fording depth.....	(in.)	
Angle of approach (deg) ..	with winch 31....without winch 54	
Angle of departure.....	(deg)	36
Fuel consumption, average conditions.....	(miles per gal)	7.5
Cruising range, average conditions.....	(miles)	300
Maximum allowable speed.....	(mph)	45
Number of speeds forward.....		5

ENGINE

Manufacturer.....	GMC.....	Model 270
Type.....	In-line, 4 cycle.....	Number of cylinders 6
Displacement.....	(cu in.)	269.5
Governed speed.....	(rpm)	2,750
Brake horsepower.....		104
Ignition type.....	Battery	

ADDITIONAL DATA

Winch capacity.....	(lb)	10,000
---------------------	------	--------

*Figures given are for vehicles without winch. For vehicles with winch use the following data:

Weight (lb).....	Net 11,000.....	Payload 5,000.....	Gross 16,000
cu ft 1,511	sq ft 165.		

TM 9-2800

STANDARD MILITARY MOTOR VEHICLES
TRUCK, CARGO, C.O.E., 15 FT BODY, 2½-TON, 6 x 6

Technical Manual: TM 9-809.

Parts List: SNL G-508

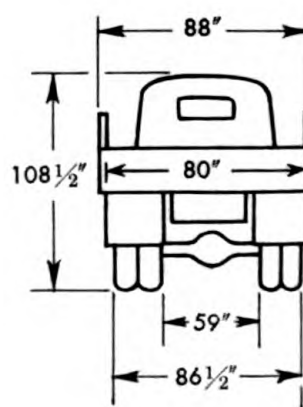
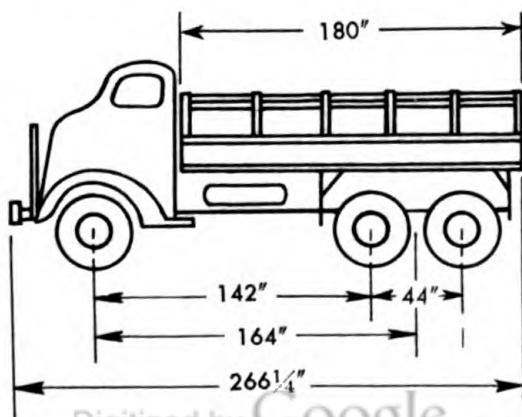
Manufacturer: General Motors Truck and Coach Div. of Yellow Truck and Coach Mfg. Co.



RA PD 308951

Classification: Standard

Purpose: To transport general cargo and personnel. This vehicle has a special 15-foot body and troop seats.



SECTION VIII—TRUCKS

TRUCK, CARGO, C.O.E., 15 FT BODY, 2½-TON, 6 x 6

GENERAL DATA

Crew		2
Weight	Net	(lb) 10,810
	Payload	(lb) 3,600
	Gross	(lb) 14,410
Shipping dimensions	(cu ft) 1,474	(sq ft) 163
Tires	Ply 8	Size 7.50 x 20
Tread, center to center (in.)	Front 62 ¹ / ₄	Rear 67 ³ / ₄
Ground clearance		(in.) 97 ⁸ / ₈
Electrical system		(volts) 6
Capacities	Fuel, 68 octane gasoline	(gal) 40
	Cooling system	(qt) 19
	Crankcase (refill)	(qt) 11
Brakes		Hydraulic

PERFORMANCE

Maximum gradability		(percent) 65
Turning radius (ft)	Right 34 ¹ / ₂	Left 34
	Fording depth (in.)	
Angle of approach		(deg) 45
Angle of departure		(deg) 32 ¹ / ₂
Fuel consumption, average conditions		(miles per gal) 7.5
Cruising range, average conditions		(miles) 300
Maximum allowable speed		(mph) 45
Number of speeds forward		5

ENGINE

Manufacturer	GMC	Model 270
Type	In-line, 4 cycle	Number of cylinders 6
Displacement		(cu in.) 269.5
Governed speed		(rpm) 2,750
Brake horsepower		104
Ignition		Battery

ADDITIONAL DATA

About 25 percent of these vehicles are being equipped with truck mount M36 for anti-aircraft machine gun.

STANDARD MILITARY MOTOR VEHICLES
TRUCK, CHEMICAL SERVICE, 2½-TON, 6 x 6, M1

Technical Manuals:

Parts List:

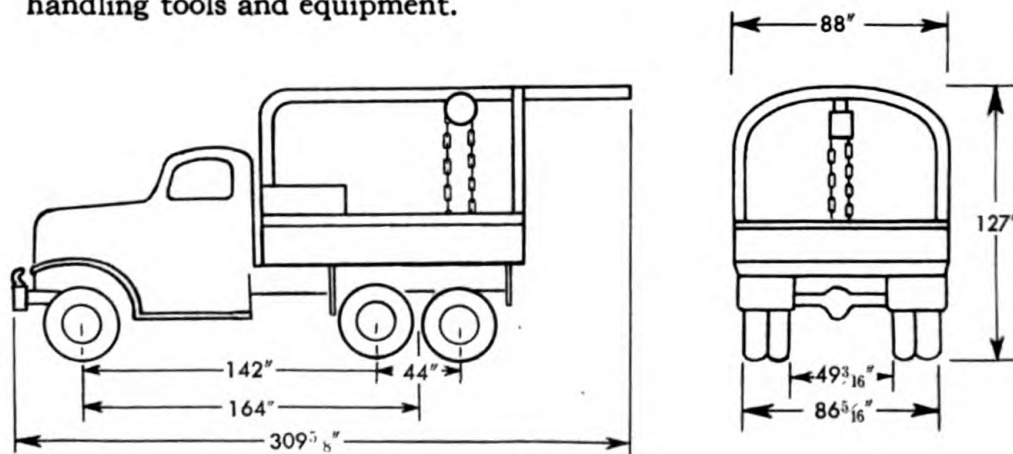
Manufacturer: General Motors Truck and Coach Div. of Yellow Truck and Coach Mfg. Co.



RA PD 308980

Classification: Standard

Purpose: Used by Chemical Warfare Service to transport chemical handling tools and equipment.



SECTION VIII—TRUCKS

TRUCK, CHEMICAL SERVICE, 2½-TON, 6 x 6, M1

GENERAL DATA

Crew.....		2
Weight.....	Net.....(lb)	11,100
	Payload.....(lb)	5,000
	Gross.....(lb)	16,100
Shipping dimensions.....	(cu ft) 2,011.....(sq ft) 190	
Tires.....	Ply...8.....Size...7.50 x 20	
Ground clearance.....	(in.)	10
Electrical system.....	(volts)	6
Capacities.....	Fuel, 70 octane gasoline....(gal)	40
	Cooling system.....(qt)	19
	Crankcase (refill).....(qt)	11
Brakes.....	(Hydrovac) Hydraulic	

PERFORMANCE

Maximum gradability.....	(percent)	65
Turning radius (ft).....	Right 34.....Left 35	
Fording depth.....	(in.)	
Angle of approach.....	(deg)	54
Angle of departure.....	(deg)	36
Fuel consumption, average conditions.....	(miles per gal)	7.5
Cruising range, average conditions.....	(miles)	240
Maximum allowable speed.....	(mph)	45
Number of speeds forward.....		5

ENGINE

Manufacturer.....	GMC.....	Model 270
Type.....	In-line, 4 cycle.....	Number of cylinders 6
Displacement.....	(cu in.)	269.5
Governed speed.....	(rpm)	2,750
Brake horsepower.....		104
Ignition type.....	Battery	

ADDITIONAL DATA

These vehicles equipped with open cabs after 1 July 1943.

.....

.....

.....

TM 9-2800

STANDARD MILITARY MOTOR VEHICLES
TRUCK, DUMP, L.W.B., 2½-TON, 6 x 6

Technical Manual: TM 10-1261 (C1).

Parts List: SNL G-508

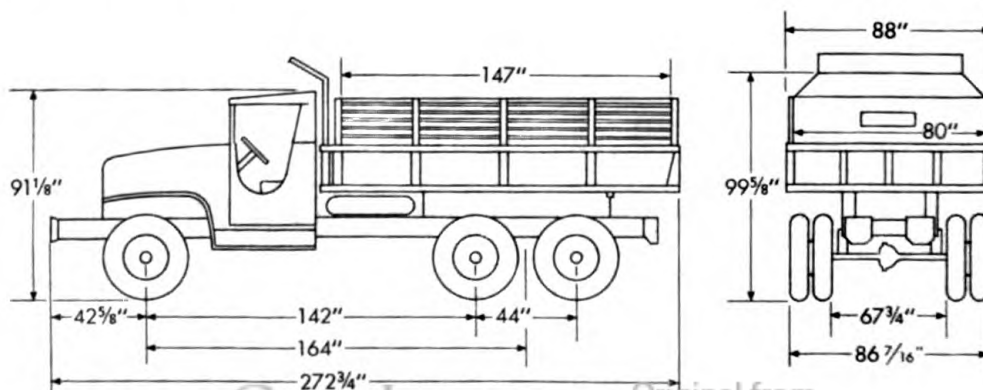
Manufacturer: General Motors Truck and Coach Div. of Yellow Truck and Coach Mfg. Co.



RA PD 309110

Classification: Standard

Purpose: To transport and dump earth, sand, gravel, coal, etc., and to carry general cargo.



SECTION VIII—TRUCKS
TRUCK, DUMP, L.W.B., 2½-TON, 6 x 6

GENERAL DATA

Crew		2
Weight	Net	11,850
	Payload	5,000
	Gross	16,850
Shipping dimensions	(cu ft) (sq ft)	
Tires	Ply . . . 8 Size . . . 7.50 x 20	
Ground clearance		10
Electrical system		6
Capacities	Fuel, 70 octane gasoline	40
	Cooling system	19
	Crankcase (refill)	11
Brakes	(Hydrovac) Hydraulic	

PERFORMANCE

Maximum gradability	(percent)	65
Turning radius (ft)	Right 37½ Left 37	
Fording depth	(in.)	
Angle of approach	(deg)	31
Angle of departure	(deg)	36
Fuel consumption, average conditions	(miles per gal)	
Cruising range, average conditions	(miles)	
Maximum allowable speed	(mph)	45
Number of speeds forward		

ENGINE

Manufacturer	GMC	Model 270	
Type	In-line, 4 cycle	Number of cylinders	6
Displacement		(cu in.)	269.5
Governed speed		(rpm)	2,750
Brake horsepower			104
Ignition type		Battery	

ADDITIONAL DATA

.....

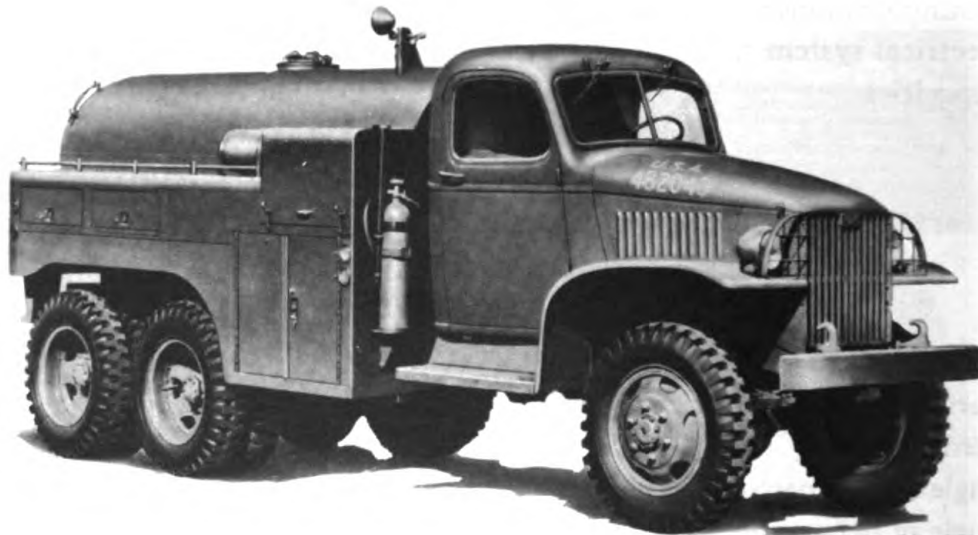
TM 9-2800

STANDARD MILITARY MOTOR VEHICLES
TRUCK, FUEL OR OIL SERVICING, 750 GAL.,
2½-TON, 6 x 6, F-3

Technical Orders: T.O. 19-25-47.

Parts List:

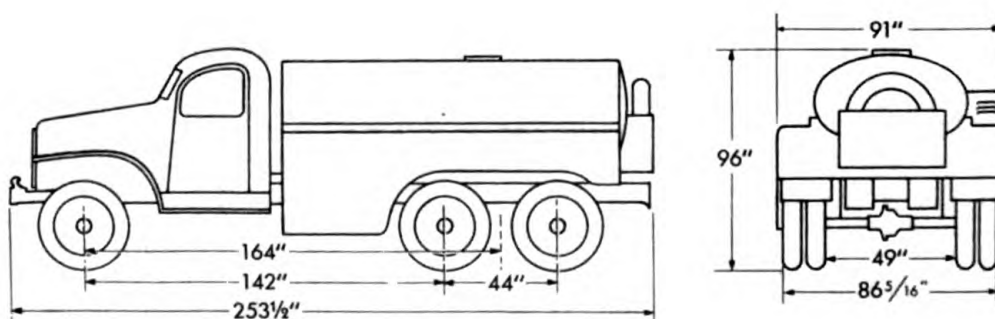
Manufacturers: General Motors Truck and Coach Div. of Yellow Truck and Coach Mfg. Co.; Equipment—The Heil Co.



RA PD 309031

Classification: Standard

Purpose: Used by Army Air Forces for servicing aircraft with oil or gasoline.



SECTION VIII—TRUCKS
TRUCK, FUEL OR OIL SERVICING, 750 GAL.,
2½-TON, 6 x 6, F-3

GENERAL DATA

Crew		2
Weight	Net	11,610
	Payload	4,500
	Gross	16,110
Shipping dimensions	(cu ft) 1,163	(sq ft) 160
Tires	Ply .. 8	Size .. 7.50 x 20
Tread, center to center (in.)	Front	Rear
Ground clearance		(in.) 10
Electrical system		(volts) 6
Capacities	Fuel, 70 octane gasoline	(gal) 40
	Cooling system	(qt) 18
	Crankcase (refill)	(qt) 10
Brakes		(Hydrovac) Hydraulic

PERFORMANCE

Maximum gradability		(percent) 65
Turning radius (ft)	Right 34	Left 35
Angle of approach		(deg)
Angle of departure		(deg)
Fuel consumption, average conditions		(miles per gal) 7.5
Cruising range, average conditions		(miles) 240
Maximum allowable speed		(mph) 45
Number of speeds forward		5

ENGINE

Manufacturer	GMC	Model 270
Type	In-line, 4 cycle	Number of cylinders 6
Displacement		(cu in.) 269.5
Governed speed		(rpm) 2,750
Brake horsepower		104
Ignition type		Battery

ADDITIONAL DATA

.....

Generated on 2013-05-08 07:47 GMT / http://hdl.handle.net/2027/uc1.b3244022
 Public Domain, Google-digitized / http://www.hathitrust.org/access_use#pd-google

TM 9-2800

**STANDARD MILITARY MOTOR VEHICLES
TRUCK, MAP REPRODUCTION EQUIPMENT,
2½-TON, 6 x 6**

Technical Manuals:

Parts List:

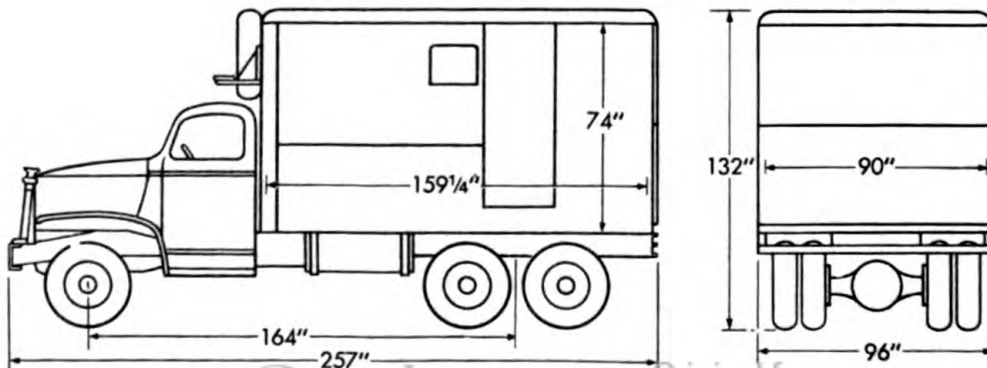
Manufacturer: Chassis—General Motors Truck and Coach Div. of Yellow Truck and Coach Mfg. Co.; Bodies—Peter Wendel and Sons, Inc., and McCabe Powers Autobody Co.



RA PD 308994

Classification: Standard

Purpose: Used by Corps of Engineers to transport equipment for map reproduction units.



SECTION VIII—TRUCKS
TRUCK, MAP REPRODUCTION EQUIPMENT,
2½-TON, 6 x 6

GENERAL DATA

Crew		
Weight	Gross	(lb) 14,200 to 16,500
Shipping dimensions	(cu ft) 1,892	(sq ft) 172
Tires	Ply	Size
Ground clearance		(in.) 11
Electrical system		(volts) 6
Capacities	Fuel, 68 octane gasoline	(gal) 40
	Cooling system	(qt) 19
	Crankcase (refill)	(qt) 11
Brakes		

PERFORMANCE

Maximum gradability		(percent) 65
Turning radius (ft)	Right 34½	Left 34
Fording depth		(in.) 24
Angle of approach		(deg) 45
Angle of departure		(deg) 33½
Fuel consumption, average conditions		(miles per gal) 7.5
Cruising range, average conditions		(miles) 300
Maximum allowable speed		(mph)
Number of speeds forward		

ENGINE

Manufacturer	GMC	Model 270
Type	In-line, 4 cycle	Number of cylinders 6
Displacement		(cu in.) 269.5
Governed speed		(rpm) 2,750
Brake horsepower		104
Ignition type		

ADDITIONAL DATA

The same basic vehicle with different equipment is used as: Laboratory section, Map layout section, Photographic section, Plate grainer section, Plate process section, Camera section, and Press section. Weight varies with equipment.

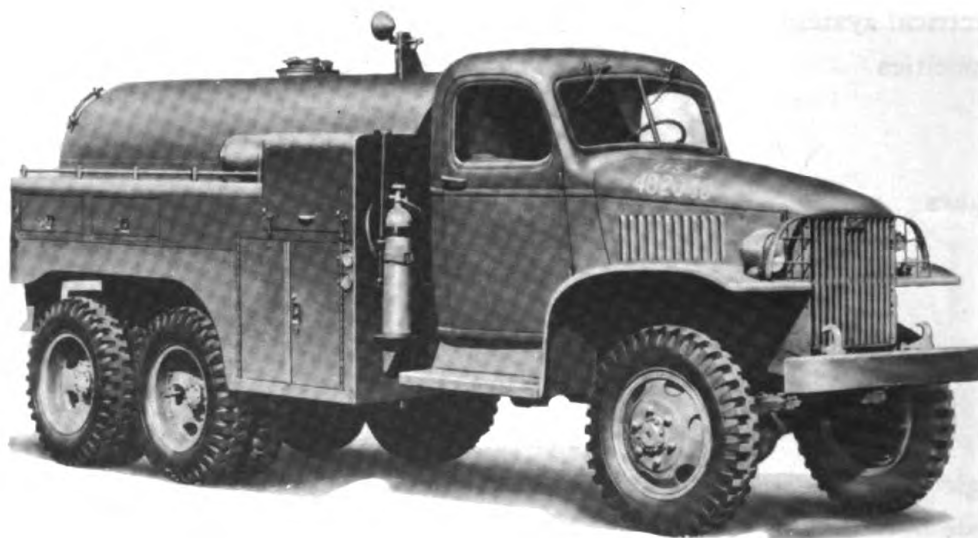
TM 9-2800

**STANDARD MILITARY MOTOR VEHICLES
TRUCK, OIL SERVICING, 660 GAL.,
2½-TON, 6 x 6, L-2**

Technical Order: T.O. 19-25-34.

Parts List:

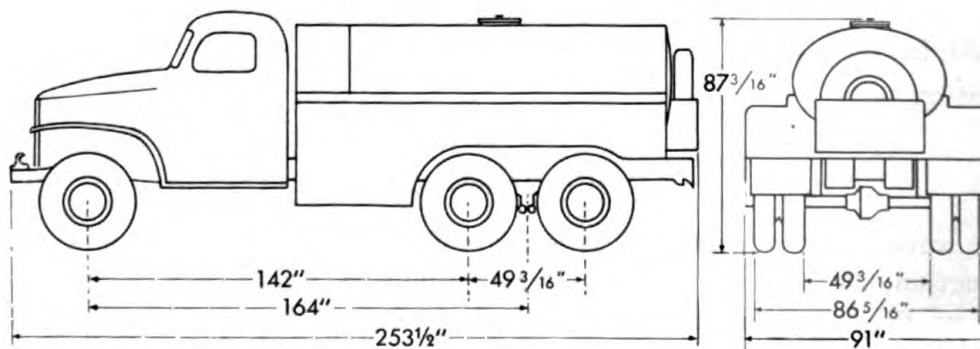
Manufacturers: General Motors Truck and Coach Div. of Yellow Truck and Coach Mfg. Co.; Equipment—The Heil Co.



RA PD 309031

Classification: Standard

Purpose: To transport and dispense lubricating oil for Army Air Forces.



SECTION VIII—TRUCKS
TRUCK, OIL SERVICING, 660 GAL.,
2½-TON, 6 x 6, L-2

GENERAL DATA

Crew		2
Weight	Net	10,400
	Payload	5,000
	Gross	15,400
Shipping dimensions	(cu ft) 1,160	(sq ft) 160
Tires	Ply 8	Size 7.50 x 20
Tread, center to center (in.)	Front	Rear
Ground clearance		(in.) 10
Electrical system		(volts) 6
Capacities	Fuel, 70 octane gasoline	(gal) 40
	Cooling system	(qt) 18
	Crankcase (refill)	(qt) 10
Brakes	(Hydrovac) Hydraulic	

PERFORMANCE

Maximum gradability	(percent)	65
Turning radius (ft)	Right 34	Left 35
Angle of approach		(deg) 54
Angle of departure		(deg) 36
Fuel consumption, average conditions	(miles per gal)	7.5
Cruising range, average conditions	(miles)	240
Maximum allowable speed	(mph)	45
Number of speeds forward		

ENGINE

Manufacturer	GMC	Model 270
Type	In-line, 4 cycle	Number of cylinders 6
Displacement		(cu in.) 269.5
Governed speed		(rpm) 2,750
Brake horsepower		104
Ignition type	Battery	

ADDITIONAL DATA

.....

.....

.....

.....

TM 9-2800

**STANDARD MILITARY MOTOR VEHICLES
TRUCK, ORDNANCE MAINTENANCE, 2½-TON, 6 x 6**

Technical Manual: TM 9-801. Parts Lists: SNL G-138, SNL G-139, SNL G-140, SNL G-141, SNL G-142, SNL G-143, SNL G-144, SNL G-146, SNL G-149.

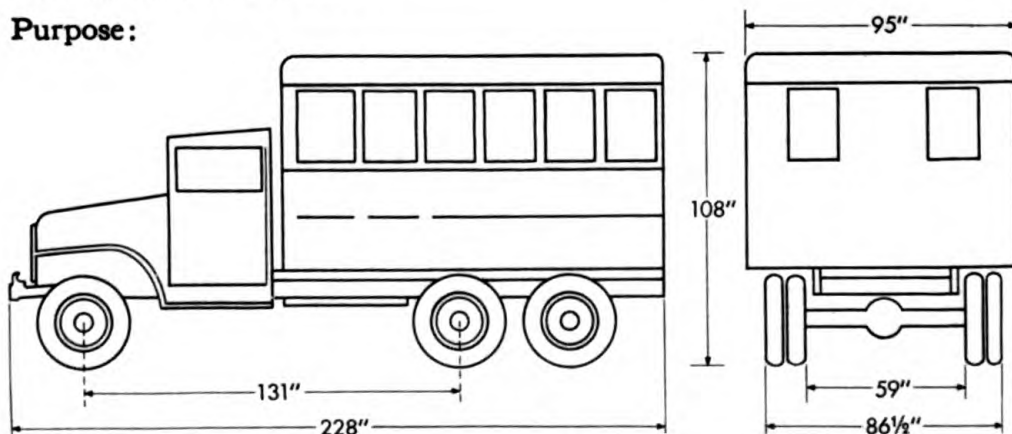
Manufacturer: General Motors Truck and Coach Div. of Yellow Truck and Coach Mfg. Co.



RA PD 309103

Classification: Standard

Purpose:



SECTION VIII—TRUCKS

TRUCK, ORDNANCE MAINTENANCE, 2½-TON, 6 x 6

GENERAL DATA

Crew		2
Weight	Net	(lb) 11,930
	Payload	(lb) 1,335
	Gross	(lb) 13,265
Shipping dimensions	(cu ft)	(sq ft)
Tires	Ply 8	Size 7:50 x 20
Tread, center to center (in.)	Front 62¼	Rear 67¾
Ground clearance		(in.) 10
Electrical system		(volts) 6
Capacities	Fuel, 70 octane gasoline	(gal) 40
	Cooling system	(qt) 19
	Crankcase (refill)	(qt) 10
Brakes		Hydraulic

PERFORMANCE

Maximum gradability	(percent)	65
Turning radius (ft)	Right	Left
Fording depth	(in.)	
Angle of approach	(deg)	56
Angle of departure	(deg)	40
Fuel consumption, average conditions	(miles per gal)	7.5
Cruising range, average conditions	(miles)	240
Maximum allowable speed	(mph)	45
Number of speeds forward		

ENGINE

Manufacturer	GMC	Model 270
Type	In-line, 4 cycle	Number of cylinders 6
Displacement		(cu in.) 269.5
Governed speed		(rpm) 2,750
Brake horsepower		104
Ignition type		Battery

ADDITIONAL DATA

Data given is for the Artillery repair truck, M9. The same basic vehicle with different equipment is used as: Truck, artillery repair, M9 and M9A1; Truck, automotive repair, M8 and M8A1; Truck, electrical repair, M18 and M18A1; Truck, instrument bench, M23; Truck, instrument repair, M10 and M10A1; Truck, machine shop, M16 and M16A1; Truck, small arms repair, M7 and M7A1; Truck, spare parts, M14; Truck, tool and bench, M13; Truck, welding, M12 and M12A1.

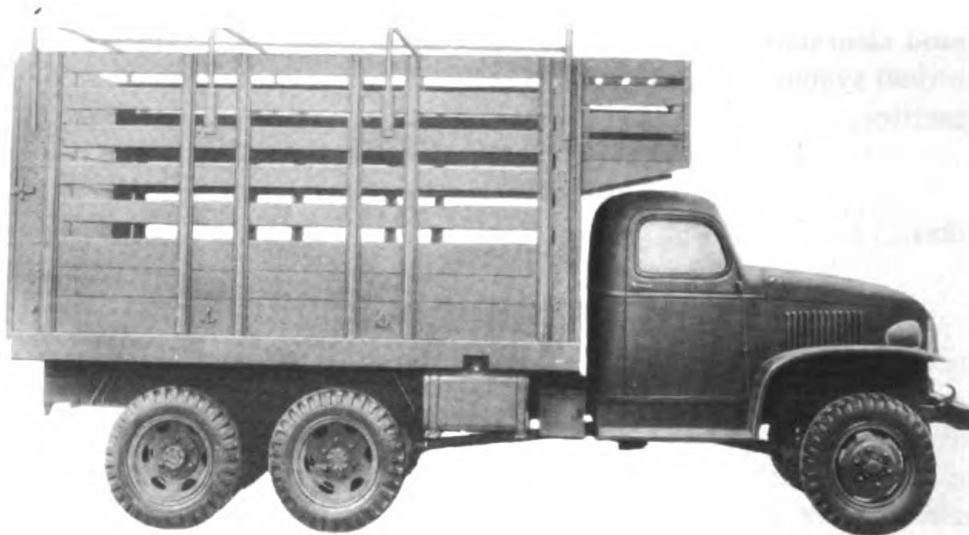
TM 9-2800

STANDARD MILITARY MOTOR VEHICLES
TRUCK, STOCK RACK, 2½-TON, 6 x 6

Technical Manual: TM 9-801.

Parts List: SNL G-508

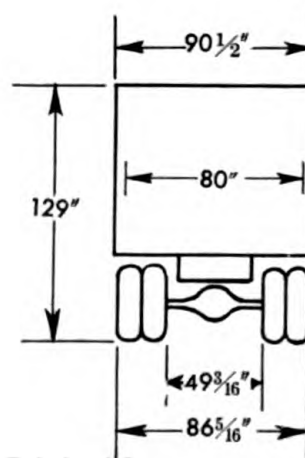
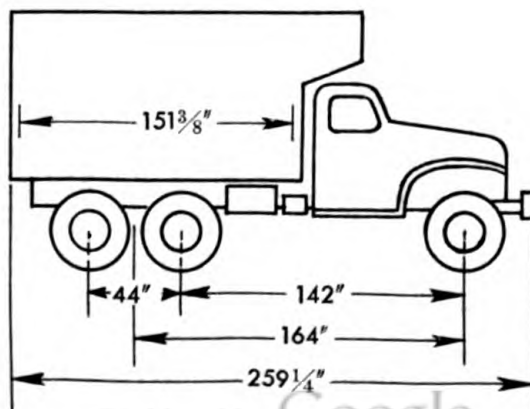
Manufacturer: General Motors Truck and Coach Div. of Yellow Truck
and Coach Mfg. Co.



Classification: Standard

RA PD 66627

Purpose: To transport bulky but light cargo.



SECTION VIII—TRUCKS
TRUCK, STOCK RACK, 2½-TON, 6 x 6

GENERAL DATA

Crew.....		2
Weight.....	Net.....(lb)	13,850
	Payload.....(lb)	5,000
	Gross.....(lb)	18,850
Shipping dimensions.....	(cu ft) 1,752.....(sq ft) 163	
Tires.....	Ply...8.....Size...7.50 x 20	
Ground clearance.....	(in.)	10
Electrical system.....	(volts)	6
Capacities.....	Fuel, 70 octane gasoline....(gal)	40
	Cooling system.....(qt)	19
	Crankcase (refill).....(qt)	11
Brakes.....	(Hydrovac) Hydraulic	

PERFORMANCE

Maximum gradability.....	(percent)	65
Turning radius (ft).....	Right 37½.....Left 37	
Fording depth.....	(in.)	
Angle of approach.....	(deg)	54
Angle of departure.....	(deg)	36
Fuel consumption, average conditions.....	(miles per gal)	7.5
Cruising range, average conditions.....	(miles)	240
Maximum allowable speed.....	(mph)	45
Number of speeds forward.....		

ENGINE

Manufacturer.....	GMC.....	Model 270
Type.....	In-line, 4 cycle.....	Number of cylinders 6
Displacement.....	(cu in.)	269.5
Governed speed.....	(rpm)	2,750
Brake horsepower.....		104
Ignition type.....	Battery	

ADDITIONAL DATA

.....

TM 9-2800

**STANDARD MILITARY MOTOR VEHICLES
TRUCK, TANK, GASOLINE, 750 GAL.
2½-TON, 6 x 6**

Technical Manuals: Studebaker,
TM 10-1387, TM 10-1565.
GMC, TM 9-801.

Parts Lists: SNL G-508 (GMC)
SNL G-630 (Stud.)

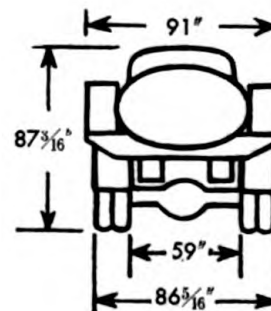
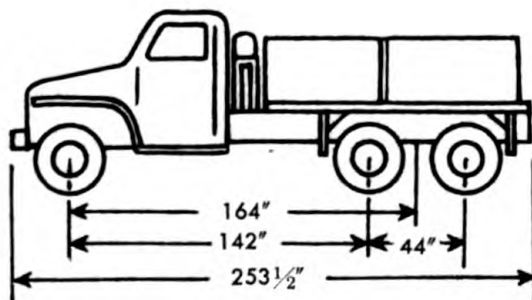
Manufacturers: General Motors Truck and Coach Div. of Yellow Truck
and Coach Mfg. Co.; The Studebaker Corp.



RA PD 308955

Classification: Standard

Purpose: To transport and dispense gasoline.



SECTION VIII—TRUCKS
TRUCK, TANK, GASOLINE, 750 GAL.
2½-TON, 6 x 6

GENERAL DATA

Crew		2
Weight	Net	10,340
	Payload	4,650
	Gross	14,990
Shipping dimensions	(cu ft) 1,163	(sq ft) 160
Tires	Ply . . . 8	Size . . . 7.50 x 20
Tread, center to center (in.)	Front 62¼	Rear 67¾
Ground clearance		97⅛
Electrical system		(volts) 6
Capacities	Fuel, 68 octane gasoline . . .	(gal) 40
	Cooling system	(qt) 18
	Crankcase (refill)	(qt) 10
Brakes		Hydraulic

PERFORMANCE

Maximum gradability		(percent) 84
Turning radius (ft)	Right 34	Left 35½
Fording depth		(in.)
Angle of approach		(deg) 54
Angle of departure		(deg) 36
Fuel consumption, average conditions		(miles per gal) 7.5
Cruising range, average conditions		(miles) 300
Maximum allowable speed		(mph) 45
Number of speeds forward		5

ENGINE

Manufacturer	GMC	Model 270
Type	In-line, 4 cycle	Number of cylinders 6
Displacement		(cu in.) 269.5
Governed speed		(rpm) 2,750
Brake horsepower		104
Ignition type		Battery

ADDITIONAL DATA

.....

TM 9-2800

STANDARD MILITARY MOTOR VEHICLES
TRUCK, TANK, WATER, 700 GAL., 2½-TON, 6 x 6

Technical Manual: TM 9-801.

Parts List: SNL G-508

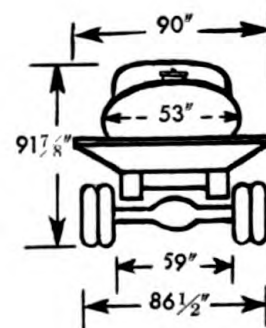
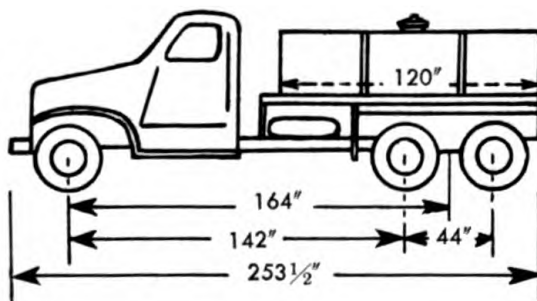
Manufacturer: General Motors Truck and Coach Div. of Yellow Truck and Coach Mfg. Co.



RA PD 308958

Classification: Standard

Purpose: To transport drinking water.



SECTION VIII—TRUCKS
TRUCK, TANK, WATER, 700 GAL., 2½-TON, 6 x 6

GENERAL DATA

Crew		2
Weight	Net.....(lb)	10,185
	Payload.....(lb)	5,000
	Gross.....(lb)	15,185
Shipping dimensions.....	(cu ft) 1,032.....(sq ft) 142	
Tires.....	Ply...8.....Size...7.50 x 20	
Tread, center to center (in.)	Front 62¼.....Rear 67¾	
Ground clearance.....	(in.)	9 7/8
Electrical system.....	(volts)	6
Capacities.....	Fuel, 68 octane gasoline... (gal)	40
	Cooling system.....(qt)	19
	Crankcase (refill).....(qt)	10
Brakes.....	Hydraulic	

PERFORMANCE

Maximum gradability.....	(percent)	65
Turning radius (ft).....	Right 35.....Left 36	
Fording depth.....	(in.)	
Angle of approach.....	(deg)	54
Angle of departure.....	(deg)	36
Fuel consumption, average conditions.....	(miles per gal)	7.5
Cruising range, average conditions.....	(miles)	300
Maximum allowable speed.....	(mph)	
Number of speeds forward.....		5

ENGINE

Manufacturer.....	GMC.....	Model 270	
Type.....	In-line, 4 cycle.....	Number of cylinders	6
Displacement.....	(cu in.)		269.5
Governed speed.....	(rpm)		2,750
Brake horsepower.....			104
Ignition type.....	Battery		

ADDITIONAL DATA

.....

Generated on 2013-05-08 08:38 GMT / http://hdl.handle.net/2027/uc1.b3244022
 Public Domain, Google-digitized / http://www.hathitrust.org/access_use#pd-google

TM 9-2800

**STANDARD MILITARY MOTOR VEHICLES
TRUCK, SHOP, MOTORIZED, 2½-TON, 6 x 6**

Technical Manuals:

Parts List: SNL G-508

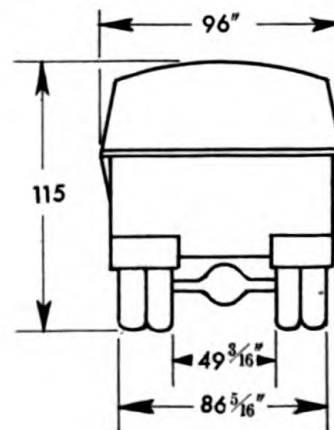
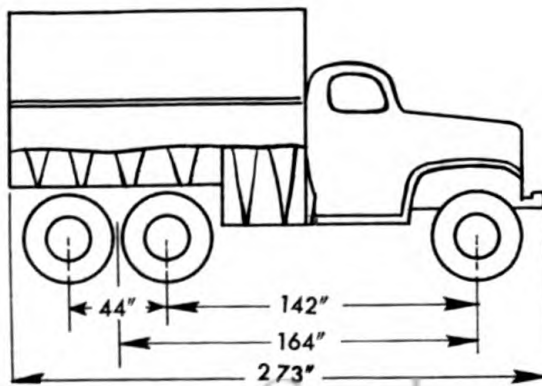
Manufacturer: General Motors Truck and Coach Div. of Yellow Truck and Coach Mfg. Co.



RA PD 66623

Classification: Standard

Purpose: Used by Corps of Engineers to provide mobile facilities for maintenance and repairs.



Digitized by Google

SECTION VIII—TRUCKS
TRUCK, SHOP, MOTORIZED, 2½-TON, 6 x 6

GENERAL DATA

Crew		2
Weight	Net	(lb) 11,130
	Payload	(lb) 5,000
	Gross	(lb) 16,130
Shipping dimensions	(cu ft) 1,748..... (sq ft) 182	
Tires	Ply—8..... Size—7.50 x 20	
Tread, center to center (in.)	Front	Rear
Ground clearance		(in.) 10
Electrical system		(volts) 6
Capacities	Fuel, 70 octane gasoline	(gal) 40
	Cooling system	(qt) 19
	Crankcase (refill)	(qt) 11
Brakes	(Hydrovac) Hydraulic	

PERFORMANCE

Maximum gradability	(percent)	65
Turning radius (ft)	Right 34..... Left 35	
Fording depth	(in.)	
Angle of approach	(deg)	54
Angle of departure	(deg)	36
Fuel consumption, average conditions	(miles per gal)	7.5
Cruising range, average conditions	(miles)	240
Maximum allowable speed	(mph)	45
Number of speeds forward		

ENGINE

Manufacturer	GMC	Model 270	
Type	In-line, 4 cycle	Number of cylinders	6
Displacement		(cu in.)	269.5
Governed speed		(rpm)	2,750
Brake horsepower			104
Ignition type		Battery	

ADDITIONAL DATA

This chassis with different equipment is used for general purpose, electrical repair, light machine shop, small tool repair, tool and bench, and welding cargo.

Supplied with open cab after July, 1943.

TM 9-2800

**STANDARD MILITARY MOTOR VEHICLES
TRUCK, SURGICAL, 2½-TON, 6 x 6**

Technical Manual: TM 9-801.

Parts List: SNL G-508

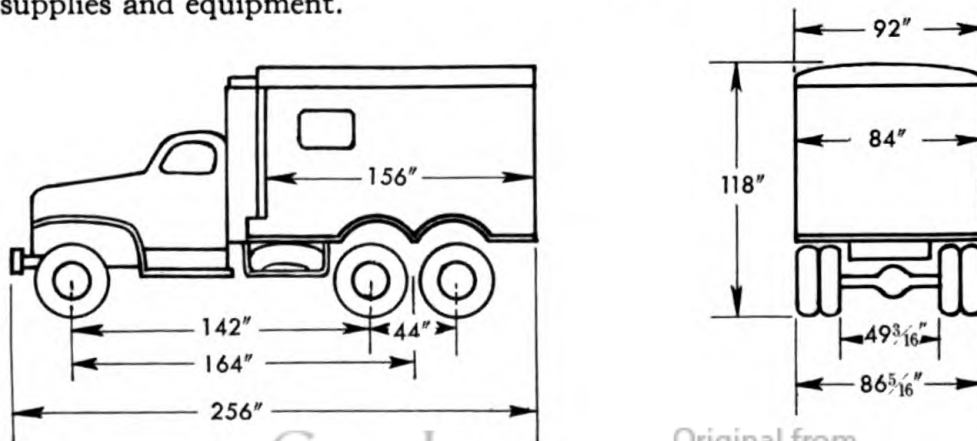
Manufacturer: General Motors Truck and Coach Div. of Yellow Truck and Coach Mfg. Co.



RA PD 308937

Classification: Standard

Purpose: Used by Medical Corps to transport and house field surgical supplies and equipment.



SECTION VIII—TRUCKS
TRUCK, SURGICAL, 2½-TON, 6 x 6

GENERAL DATA

Crew		2
Weight	Net	(lb) 11,280
	Payload	(lb) 5,000
	Gross	(lb) 16,280
Shipping dimensions	(cu ft) 1,603	(sq ft) 160
Tires	Ply .. 8	Size .. 7.50 x 20
Ground clearance		(in.) 10
Electrical system		(volts) 6
Capacities	Fuel, 70 octane gasoline	(gal) 40
	Cooling system	(qt) 19
	Crankcase (refill)	(qt) 11
Brakes	(Hydrovac) Hydraulic	

PERFORMANCE

Maximum gradability	(percent)	65
Turning radius (ft)	Right 34	Left 35
Fording depth	(in.)	
Angle of approach	(deg)	36
Angle of departure	(deg)	31
Fuel consumption, average conditions	(miles per gal)	7.5
Cruising range, average conditions	(miles)	240
Maximum allowable speed	(mph)	45
Number of speeds forward		

ENGINE

Manufacturer	GMC	Model 270
Type	In-line, 4 cycle	Number of cylinders 6
Displacement	(cu in.)	269.5
Governed speed	(rpm)	2,750
Brake horsepower		104
Ignition type	Battery	

ADDITIONAL DATA

.....

TM 9-2800

STANDARD MILITARY MOTOR VEHICLES
TRUCK, VAN, 2½-TON, 6 x 6, K-53

Technical Manuals:

Parts List:

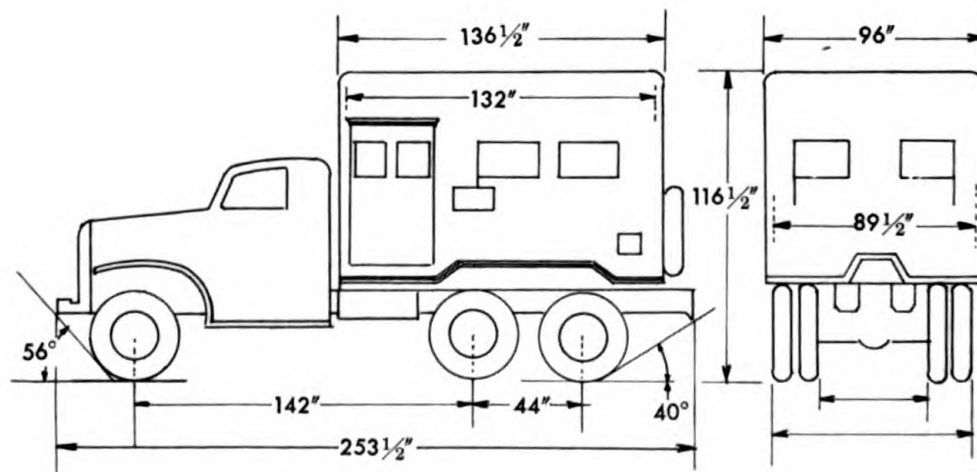
Manufacturer: General Motors Truck and Coach Div. of Yellow Truck
and Coach Mfg. Co.



Classification: Limited standard

RA PD 308970

Purpose: Used by Signal Corps to transport and house radio equipment.



SECTION VIII—TRUCKS
TRUCK, VAN, 2½-TON, 6 x 6, K-53

GENERAL DATA

Crew			2
Weight	Net	(lb)	10,270
	Payload	(lb)	5,000
	Gross	(lb)	15,270
Shipping dimensions	(cu ft) 1,664	(sq ft) 169	
Tires	Ply 8	Size 7.50 x 20	
Tread, center to center		(in.)	67 ³ / ₄
Ground clearance		(in.)	10
Electrical system		(volts)	6
Capacities	Fuel, 70 octane gasoline	(gal)	40
	Cooling system	(qt)	19
	Crankcase (refill)	(qt)	11
Brakes	(Hydrovac) Hydraulic		

PERFORMANCE

Maximum gradability		(percent)	65
Turning radius (ft)	Right 34	Left 35	
Fording depth		(in.)	
Angle of approach		(deg)	56
Angle of departure		(deg)	40
Fuel consumption, average conditions		(miles per gal)	7.5
Cruising range, average conditions		(miles)	240
Maximum allowable speed		(mph)	45
Number of speeds forward			5

ENGINE

Manufacturer	GMC	Model 270	
Type	In-line, 4 cycle	Number of cylinders	6
Displacement		(cu in.)	269.5
Governed speed		(rpm)	2,750
Brake horsepower			104
Ignition type	Battery		

ADDITIONAL DATA

.....

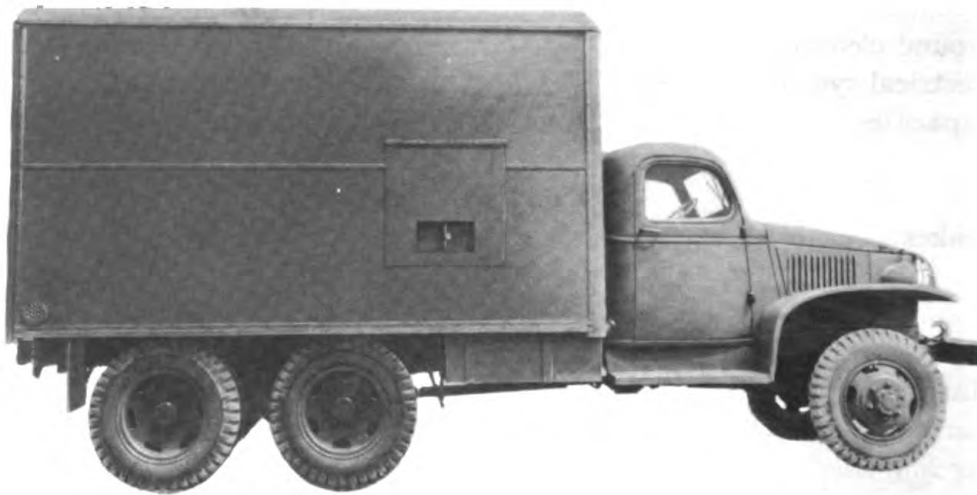
TM 9-2800

STANDARD MILITARY MOTOR VEHICLES
TRUCK, VAN, 2½-TON, 6 x 6, K-60

Technical Manuals:

Parts Lists:

Manufacturers: Various

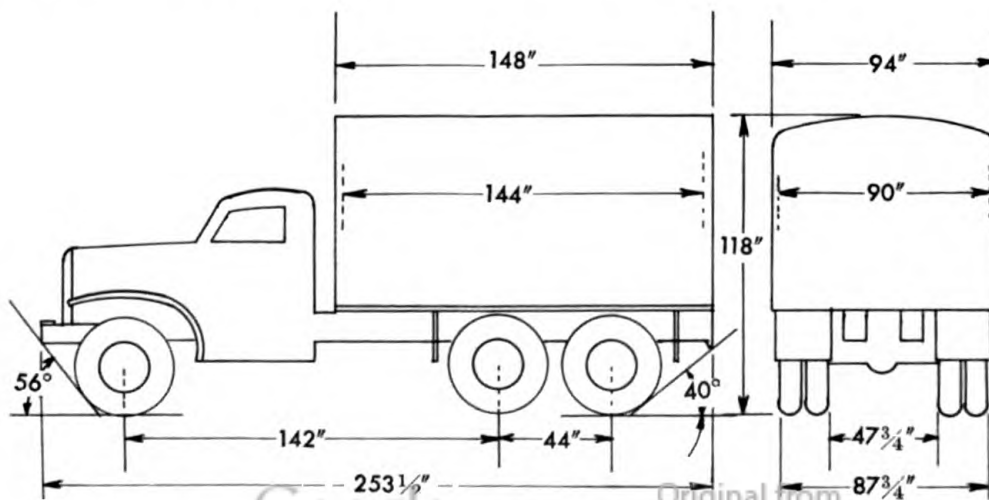


RA PD 66617

Vehicle illustrated above: Chassis, GMC; Body, York Hoover

Classification: Standard

Purpose: To transport Signal Corps field equipment.



SECTION VIII—TRUCKS
TRUCK, VAN, 2½-TON, 6 x 6, K-60

GENERAL DATA

Crew		2
Weight	Net	(lb) 11,070
	Payload	(lb) 4,000
	Gross	(lb) 15,070
Shipping dimensions	(cu ft) 1,643	(sq ft) 169
Tires	Ply 8	Size 7.50 x 20
Tread, center to center		(in.) 67¾
Ground clearance		(in.) 10
Electrical system		(volts) 6
Capacities	Fuel, 70 octane gasoline	(gal) 40
	Cooling system	(qt) 19
	Crankcase (refill)	(qt) 10
Brakes		Hydraulic

PERFORMANCE

Maximum gradability	(percent)	65
Turning radius (ft)	Right 35	Left 34
Fording depth	(in.)	18
Angle of approach	(deg)	56
Angle of departure	(deg)	40
Fuel consumption, average conditions	(miles per gal)	7.5
Cruising range, average conditions	(miles)	240
Maximum allowable speed	(mph)	45
Number of speeds forward		5

ENGINE

Manufacturer	GMC	Model 270
Type	In-line, 4 cycle	Number of cylinders 6
Displacement		(cu in.) 269.5
Governed speed		(rpm) 2,750
Brake horsepower		104
Ignition type		Battery

ADDITIONAL DATA

Similar body manufactured by Superior Coach Corp., Wayne Works,
 Transportation Engineers, Hackney Bros., Oneonta Linn Corp., York
 Hoover Body Corp.

TM 9-2800

STANDARD MILITARY MOTOR VEHICLES
TRUCK, WATER PURIFICATION UNIT, MOBILE,
2½-TON, 6 x 6

Technical Manuals: TM 5-2000, TM 5-2032. Parts List:

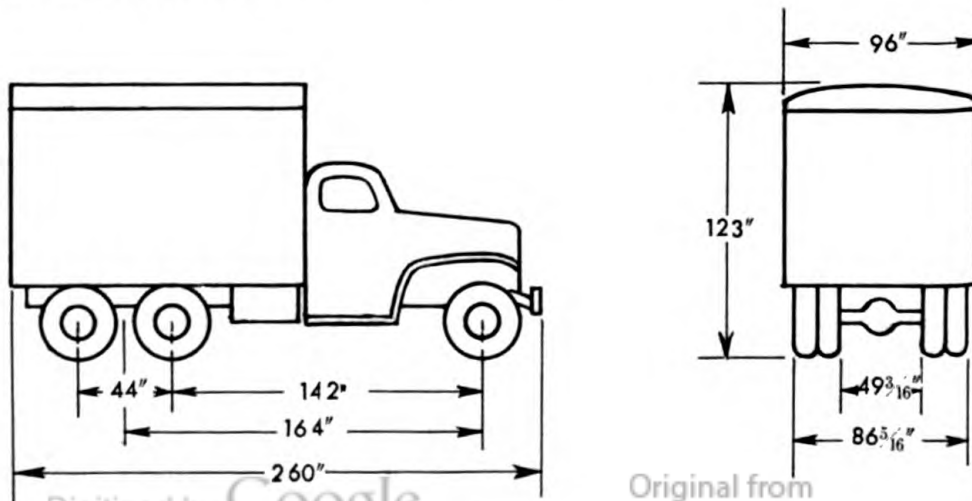
Manufacturers: Chassis, General Motors Truck and Coach Div. of
Yellow Truck and Coach Mfg. Co.; Water Purification Unit, Wallace
Tiernan Co., Inc.



RA PD 66633

Classification: Standard

Purpose: Used by Corps of Engineers to provide mobile facilities for
water purification.



Original from
UNIVERSITY OF CALIFORNIA

SECTION VIII—TRUCKS
TRUCK, CARGO, 4-TON, 4 x 4

GENERAL DATA

Crew, operating 2	Passenger capacity, including crew	5
Weight	Net (lb)	11,425
	Payload (lb)	8,000
	Gross (lb)	19,425
Shipping dimensions	(cu ft) (sq ft)	
Tires	Ply Size	9.00 x 20
Tread, center to center (in.)	Front 67 ¹ / ₂ Rear 69	
Ground clearance	(in.)	11
Electrical system	(volts)	6
Capacities	Fuel, 68 octane gasoline (gal)	40
	Cooling system (qt)	23
	Crankcase (refill) (qt)	10
Brakes	Hydraulic	

PERFORMANCE

Maximum gradability	(percent)	40
Turning radius	(ft)	38 ¹ / ₂
Fording depth	(in.)	28
Angle of approach	(deg)	35
Angle of departure	(deg)	30
Fuel consumption, average conditions	(miles per gal)	5.5
Cruising range, average conditions	(miles)	220
Maximum allowable speed	(mph)	35
Number of speeds forward		5

ENGINE

Manufacturer	Waukesha	Model BZ
Type	In-line, 4 cycle	Number of cylinders
Displacement	(cu in.)	320
Governed speed	(rpm)	2,800
Brake horsepower		88
Ignition type	Battery	

ADDITIONAL DATA

.....

TM 9-2800

STANDARD MILITARY MOTOR VEHICLES
TRUCK, SHOVEL-CRANE, W/TRAILER, 4-TON, 4 x 4

Technical Manuals:

Parts List:

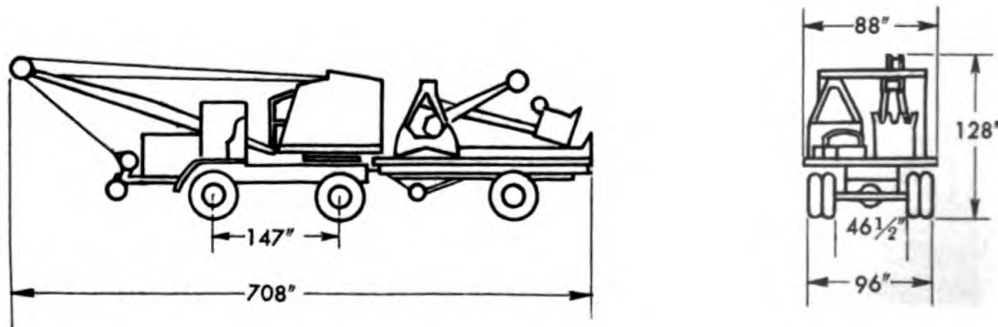
Manufacturers: Truck—Coleman Motor Co.; Shovel-Crane, Trailer—
Quick-Way Truck Shovel Co. Model E-55



RA PD 309094

Classification: Limited standard

Purpose: Used by Corps of Engineers to provide mobile facilities for crane, shovel, dragline, clamshell and pile driver operations.



SECTION VIII—TRUCKS
TRUCK, SHOVEL-CRANE, W/TRAILER, 4-TON, 4 x 4

GENERAL DATA

Crew		2
Weight	Net	(lb) 13,083
	Payload	(lb) 13,327
	Gross	(lb) 26,410
	Boxed for export	(lb) 34,800
Shipping dimensions	(cu ft) 2,533	(sq ft) 378
Tires	Ply .. 12	Size .. 10.00 x 20
Tread	Front 72	Rear 71
Ground clearance		(in.) 11½
Electrical system		(volts) 6
Capacities	Fuel, 70 octane gasoline	(gal) 50
	Cooling system	(qt) 48
	Crankcase (refill)	(qt) 10
Brakes	(Bendix-Westinghouse) Air	

PERFORMANCE

Maximum gradability	(percent)	
Turning radius	(ft)	31
Fording depth	(in.)	46
Angle of approach (deg) ...	With winch 17 ... Without winch 35	
Angle of departure	(deg)	35
Fuel consumption, average conditions	(miles per gal)	5
Cruising range, average conditions	(miles)	250
Maximum allowable speed	(mph)	53
Number of speeds forward		5

ENGINE

Manufacturer	Buda	Model 10525	
Type	In-line, 4 cycle	Number of cylinders	6
Displacement		(cu in.)	525
Governed speed		(rpm)	2,100
Brake horsepower			139
Ignition type	Battery		

ADDITIONAL DATA

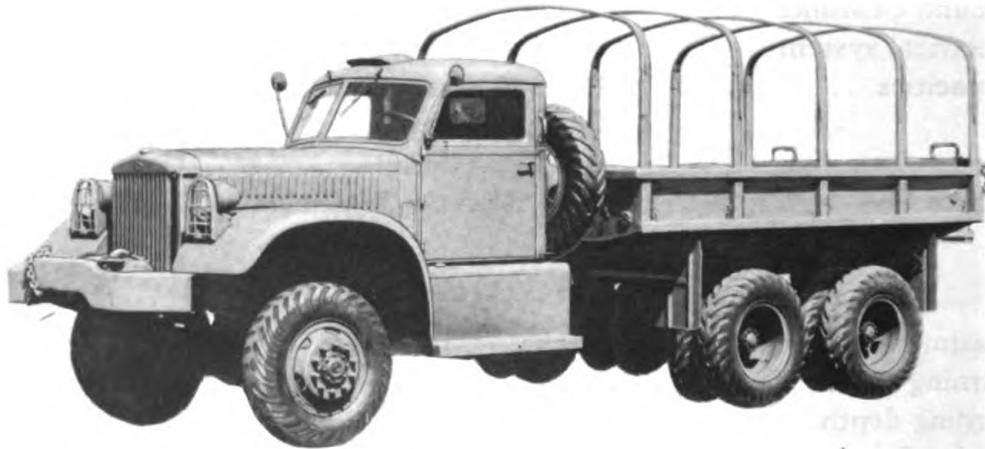
Winch capacity	(lb)	12,000
Flat bed trailer: payload capacity 8,000 pounds; loading height, 53 inch; weight 6,750 pounds; tires—operating 4, size—10.00 x 20, ply—12; brakes —(Bendix-Westinghouse) air; packed for export 1,526 cubic feet; weight 20,650 pounds.		

TM 9-2800

**STANDARD MILITARY MOTOR VEHICLES
TRUCK, CARGO, L.W.B., 4-TON, 6 x 6**

Technical Manuals: TM 10-1297, TM 10-1517, Parts List: SNL G-509
TM 10-1533, TM 10-1603,
TM 10-1605, TM 10-1607.

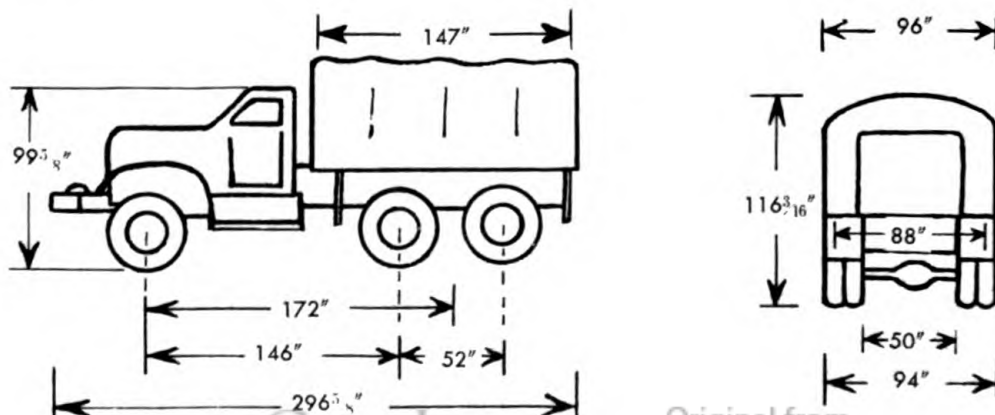
Manufacturer: Diamond T Motor Car Co.



RA PD 66641

Classification: Standard

Purpose: To transport general cargo and personnel.



Digitized by Google

SECTION VIII—TRUCKS
TRUCK, CARGO, S.W.B., 4-TON, 6 x 6

GENERAL DATA

Crew, operating 2	Passenger capacity, including crew	
Weight	Net	(lb) 18,400
	Payload	(lb) 8,000
	Gross	(lb) 26,400
Shipping dimensions	(cu ft) 1,769	(sq ft) 179
Tires	Ply 10	Size 9.00 x 20
Tread, center to center (in.)	Front 73 ³ / ₄	Rear 72
Ground clearance		(in.) 11
Pintle height (in.)	Loaded 40	Unloaded 41 ¹ / ₄
Electrical system		(volts) 6
Capacities	Fuel, 70 octane gasoline	(gal) 60
	Cooling system	(qt) 46
	Crankcase (refill)	(qt) 16
Brakes		Air

PERFORMANCE

Maximum gradability		(percent) 65
Turning radius (ft)	Right 38 ¹ / ₂	Left 37
Fording depth		(in.) 24
Angle of approach		(deg) 37
Angle of departure		(deg) 39
Fuel consumption, average conditions		(miles per gal) 3
Cruising range, average conditions		(miles) 180
Maximum allowable speed		(mph) 40
Number of speeds forward		5

ENGINE

Manufacturer	Hercules	Model RXC
Type	In-line, 4 cycle	Number of cylinders 6
Displacement		(cu in.) 529
Governed speed		(rpm) 2,300
Brake horsepower		119
Ignition type		Battery

ADDITIONAL DATA

Winch capacity		(lb) 15,000
Body contains troop seats and backs.		
About 25 percent of these vehicles are being equipped with truck mount M36 for antiaircraft machine gun.		

TM 9-2800

**STANDARD MILITARY MOTOR VEHICLES
TRUCK, CRANE, SWINGING BOOM,
W/WINCH, 4-TON, 6 x 6, M1**

Technical Manuals:

Parts List:

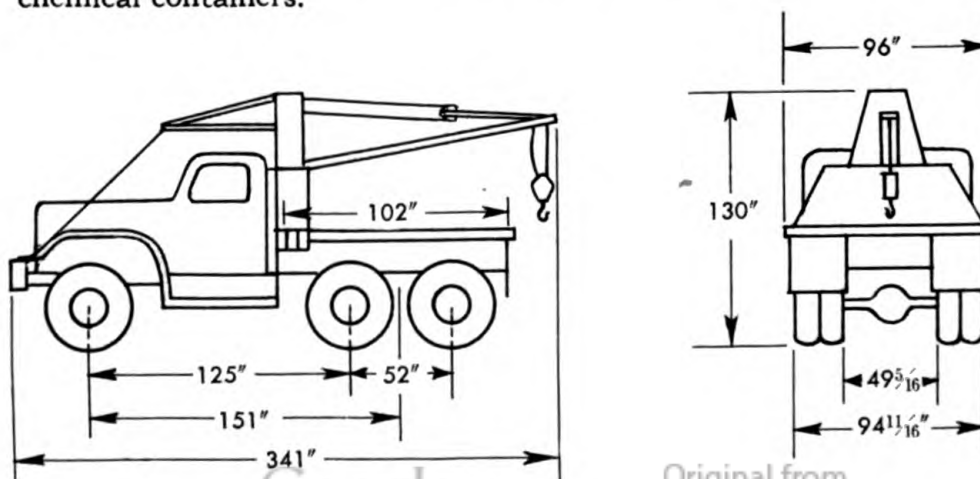
Manufacturer: Diamond T Motor Car Co.



RA PD 66643

Classification: Standard

Purpose: Used by Chemical Warfare Service to lift and transport heavy chemical containers.



SECTION VIII—TRUCKS
TRUCK, CRANE, SWINGING BOOM,
W/WINCH, 4-TON, 6 x 6, M1

GENERAL DATA

Crew		2
Weight	Net	18,400
	Payload	8,000
	Gross	26,400
Shipping dimensions	(cu ft) 1,948	(sq ft) 227
Tires	Ply 10	Size 9.00 x 20
Ground clearance		(in.) 11
Electrical system		(volts) 6
Capacities	Fuel, 70 octane gasoline	(gal) 60
	Cooling system	(qt) 46
	Crankcase (refill)	(qt) 16
Brakes		Air

PERFORMANCE

Maximum gradability		(percent) 65
Turning radius (ft)	Right 36½	Left 35
Fording depth		(in.) 24
Angle of approach		(deg) 37
Angle of departure		(deg) 46
Fuel consumption, average conditions		(miles per gal) 3
Cruising range, average conditions		(miles) 120
Maximum allowable speed		(mph) 40
Number of speeds forward		5

ENGINE

Manufacturer	Hercules	Model RXC
Type	In-line, 4 cycle	Number of cylinders 6
Displacement		(cu in.) 529
Governed speed		(rpm) 2,300
Brake horsepower		119
Ignition type		Battery

ADDITIONAL DATA

Winch capacity		(lb) 15,000
.....		
.....		
.....		

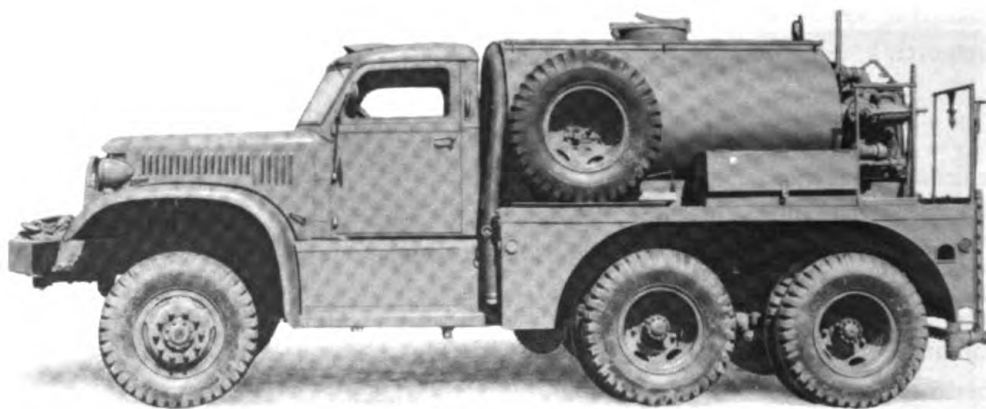
TM 9-2800

**STANDARD MILITARY MOTOR VEHICLES
TRUCK, DISTRIBUTOR, WATER, 1000 GAL.
4-TON, 6 x 6**

Technical Manuals:

Parts List:

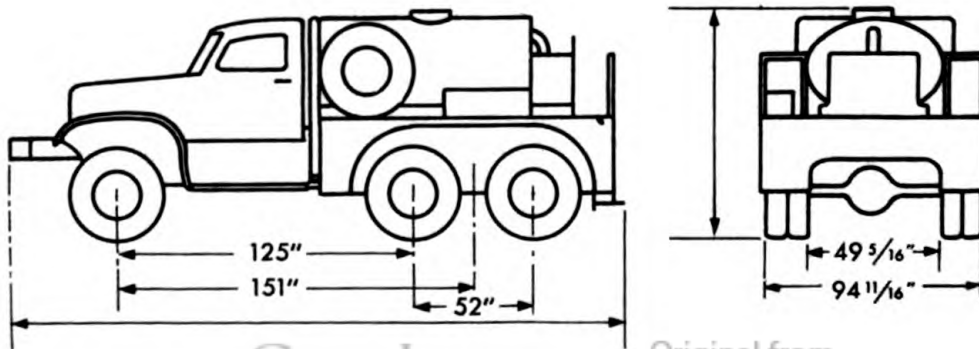
Manufacturers: Chassis and cab, Diamond T Motor Car Co.; Tank and equipment, Littleford Bros.



RA PD 308996

Classification: Standard

Purpose: Used by Corps of Engineers as water-distributing unit.



Digitized by Google

SECTION VIII—TRUCKS
TRUCK, DISTRIBUTOR, WATER, 1000 GAL.
4-TON, 6 x 6

GENERAL DATA

Crew		2
Weight	Net	(lb) 18,750
	Payload	(lb) 8,330
	Gross	(lb) 27,080
Shipping dimensions	(cu ft)	(sq ft)
Tires	Ply 10	Size 9.00 x 20
Tread, center to center (in.)	Front 73 ³ / ₄	Rear 72
Ground clearance		(in.) 11
Pintle height (in.)	Loaded 40	Unloaded 41 ¹ / ₂
Electrical system		(volts) 6
Capacities	Fuel, 70 octane gasoline	(gal) 60
	Cooling system	(qt) 46
	Crankcase (refill)	(qt) 16
Brakes		Air

PERFORMANCE

Maximum gradability		(percent) 65
Turning radius (ft)	Right 38 ¹ / ₂	Left 37
Fording depth		(in.) 24
Angle of approach		(deg) 48
Angle of departure		(deg) 67
Fuel consumption, average conditions		(miles per gal) 3
Cruising range, average conditions		(miles) 175
Maximum allowable speed		(mph) 40
Number of speeds forward		5

ENGINE

Manufacturer	Hercules	Model RXC
Type	In-line, 4 cycle	Number of cylinders 6
Displacement		(cu in.) 529
Governed speed		(rpm) 2,300
Brake horsepower		119
Ignition type		Battery

ADDITIONAL DATA

.....

TM 9-280Q

**STANDARD MILITARY MOTOR VEHICLES
TRUCK, DUMP, 4-TON, 6 x 6**

Technical Manual: TM 10-1533.

Parts List: SNL G-509

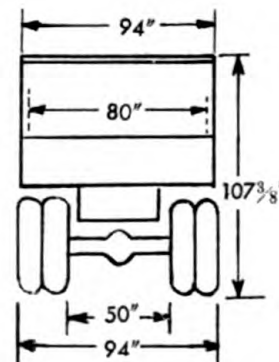
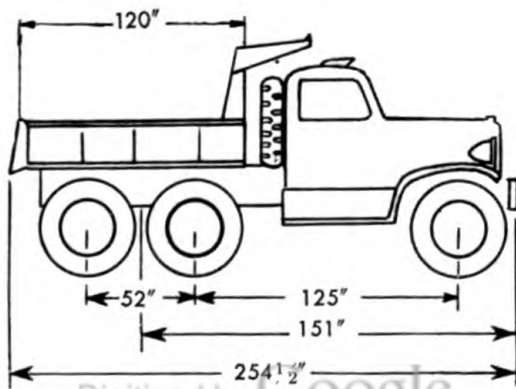
Manufacturer: Diamond T Motor Car Co.



RA PD 66645

Classification: Standard

Purpose: To haul and dump earth, sand, gravel, etc.



Original from
UNIVERSITY OF CALIFORNIA

SECTION VIII—TRUCKS
TRUCK, DUMP, 4-TON, 6 x 6

GENERAL DATA

Crew		2
Weight	Net	(lb) 17,500
	Payload	(lb) 8,900
	Gross	(lb) 26,400
Shipping dimensions	(cu ft) 1,475	(sq ft) 167
Tires	Ply 10	Size 9.00 x 20
Tread, center to center (in.)	Front 73 ³ / ₄	Rear 72
Ground clearance		(in.) 11
Electrical system		(volts) 6
Capacities	Fuel, 70 octane gasoline	(gal) 60
	Cooling system	(qt) 46
	Crankcase (refill)	(qt) 16
Brakes		Air

PERFORMANCE

Maximum gradability		(percent) 65
Turning radius (ft)	Right 36 ¹ / ₂	Left 35
Fording depth		(in.) 24
Angle of approach		(deg) 48
Angle of departure		(deg) 67
Fuel consumption, average conditions		(miles per gal) 3
Cruising range, average conditions		(miles) 175
Maximum allowable speed		(mph) 40
Number of speeds forward		5

ENGINE

Manufacturer	Hercules	Model RXC
Type	In-line, 4 cycle	Number of cylinders 6
Displacement		(cu in.) 529
Governed speed		(rpm) 2,300
Brake horsepower		119
Ignition type		Battery

ADDITIONAL DATA

Will have open cab after September 1943.
 Has hydraulic hoist.

.....

**STANDARD MILITARY MOTOR VEHICLES
TRUCK, MAP REPRODUCTION EQUIPMENT
4-TON, 6 x 6**

Technical Manuals:

Parts List:

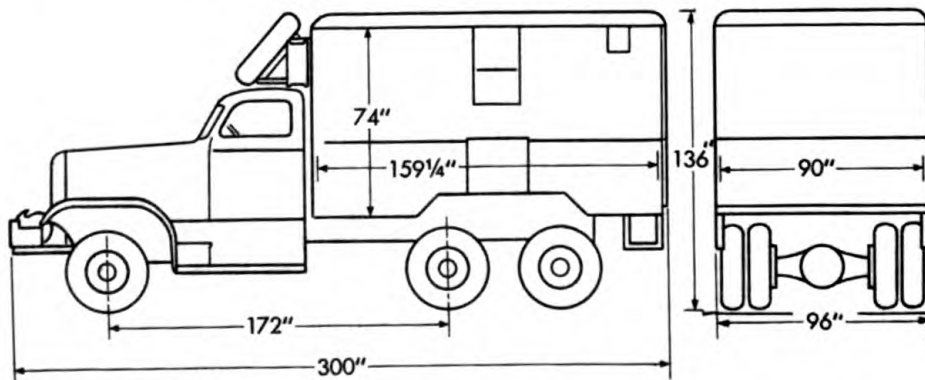
Manufacturers: Chassis and cab, Diamond T Motor Car Co.; Body, McCabe-Powers Autobody Co.



RA PD 308992

Classification: Standard

Purpose: Used by Corps of Engineers to transport equipment for map reproduction units.



SECTION VIII—TRUCKS
TRUCK, MAP REPRODUCTION EQUIPMENT
4-TON, 6 x 6

GENERAL DATA

Crew.....		
Weight.....	Gross.....(lb)	23,000 to 24,000
Shipping dimensions.....	(cu ft) 2,260.....(sq ft) 200	
Tires.....	Ply... 10.....Size... 9.00 x 20	
Tread, center to center (in.)	Front 73 ³ / ₄Rear 72	
Ground clearance.....	(in.)	11
Electrical system.....	(volts)	6
Capacities.....	Fuel, 70 octane gasoline....(gal)	60
	Cooling system.....(qt)	46
	Crankcase.....(qt)	16
Brakes.....	Air	

PERFORMANCE

Maximum gradability.....	(percent)	65
Turning radius (ft).....	Right 38 ¹ / ₂Left 37	
Fording depth.....	(in.)	24
Angle of approach.....	(deg)	48
Angle of departure.....	(deg)	67
Fuel consumption, average conditions.....	(miles per gal)	3
Cruising range, average conditions.....	(miles)	175
Maximum allowable speed.....	(mph)	40
Number of speeds forward.....		5

ENGINE

Manufacturer.....	Hercules.....	Model RXC
Type.....	In-line, 4 cycle.....	Number of cylinders 6
Displacement.....	(cu in.)	529
Governed speed.....	(rpm)	2,300
Brake horsepower.....		119
Ignition type.....	Battery	

ADDITIONAL DATA

Equipped with winch.

The same basic vehicle with different equipment is used as:

Camera section, Press section 20 inch x 22¹/₂ inch, and Press section 22 inch x 29 inch. Weight varies with equipment.

TM 9-2800

**STANDARD MILITARY MOTOR VEHICLES
TRUCK, WRECKER, 4-TON, 6 x 6**

Technical Manuals: TM 10-1297,
TM 10-1335, TM 10-1533,
TM 10-1605, TM 10-1607.

Parts List: SNL G-509

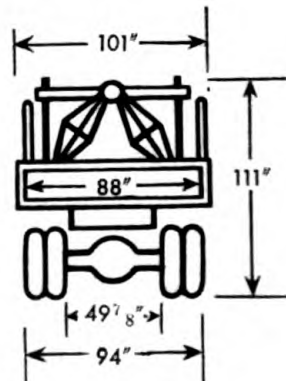
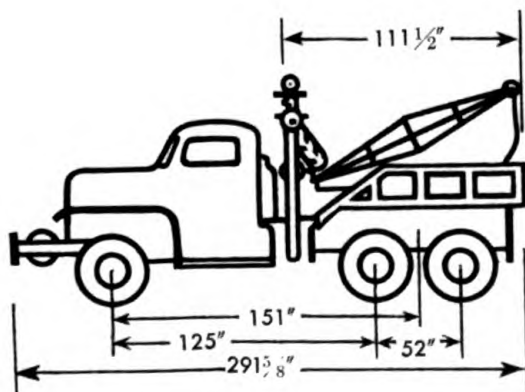
Manufacturer: Diamond T Motor Car Co.



RA PD 308957

Classification: Standard

Purpose: To lift and tow disabled vehicles.



SECTION VIII—TRUCKS
TRUCK, WRECKER, 4-TON, 6 x 6

GENERAL DATA

Crew.....		2
Weight.....	Gross.....	21,700
Shipping dimensions.....	(cu ft) 1,917.....(sq ft) 195	
Tires.....	Ply... 10.....Size... 9.00 x 20	
Tread, center to center (in.)	Front 73 $\frac{3}{4}$Rear 72	
Ground clearance.....	(in.)	11
Electrical system.....	(volts)	12
Capacities.....	Fuel, 68 octane gasoline... (gal)	60
	Cooling system.....(qt)	48
	Crankcase (refill).....(qt)	16
Brakes.....	(Bendix-Westinghouse) Air	

PERFORMANCE

Maximum gradability.....	(percent)	98
Turning radius (ft).....	Right 36 $\frac{1}{2}$Left 36	
Fording depth.....	(in.)	24
Angle of approach.....	(deg)	37
Angle of departure.....	(deg)	46
Fuel consumption, average conditions.....	(miles per gal)	3.3
Cruising range, average conditions.....	(miles)	182
Maximum allowable speed.....	(mph)	40
Number of speeds forward.....		5

ENGINE

Manufacturer.....	Hercules.....	Model RXC
Type.....	In-line, 4 cycle.....	Number of cylinders 6
Displacement.....	(cu in.)	521
Governed speed.....	(rpm)	2,300
Brake horsepower.....		131
Ignition type.....	Battery	

ADDITIONAL DATA

Winch capacity.....(lb) 15,000
 About 25 percent of these vehicles are being equipped with truck mount
 M36 for antiaircraft machine gun. Winch located at rear of cab.

TM 9-2800

STANDARD MILITARY MOTOR VEHICLES
TRUCK, TANK, BITUMINOUS SUPPLY, 800 GAL.
4-TON, 6 x 6

Technical Manuals:

Parts List:

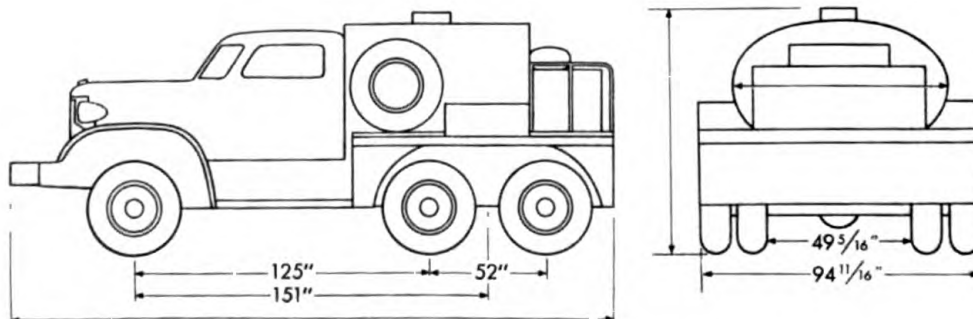
Manufacturers: Chassis, Diamond T Motor Car Co.; Equipment, Roscoe Mfg. Co.



RA PD 308998

Classification: Standard

Purpose: Used by Corps of Engineers.



SECTION VIII—TRUCKS
TRUCK, TANK, BITUMINOUS SUPPLY, 800 GAL.
4-TON, 6 x 6

GENERAL DATA

Crew.....		2
Weight.....	Net.....(lb)	19,500
	Payload.....(lb)	6,800
	Gross.....(lb)	26,300
Shipping dimensions.....	(cu ft) 1,584.....(sq ft)	
Tires.....	Ply...10.....Size...9.00 x 20	
Tread, center to center (in.)	Front 73 ³ / ₄Rear 72	
Ground clearance.....	(in.)	11
Electrical system.....	(volts)	6
Capacities.....	Fuel, 70 octane gasoline....(gal)	60
	Cooling system.....(qt)	46
	Crankcase (refill).....(qt)	16
Brakes.....	Air	

PERFORMANCE

Maximum gradability.....	(percent)	65
Turning radius (ft).....	Right 38 ¹ / ₂Left 37	
Fording depth.....	(in.)	24
Angle of approach.....	(deg)	48
Angle of departure.....	(deg)	67
Fuel consumption, average conditions.....	(miles per gal)	3
Cruising range, average conditions.....	(miles)	175
Maximum allowable speed.....	(mph)	40
Number of speeds forward.....		5

ENGINE

Manufacturer.....	Hercules.....	Model RXC	
Type.....	In-line, 4 cycle.....	Number of cylinders	6
Displacement.....	(cu in.)		529
Governed speed.....	(rpm)		2,300
Brake horsepower.....			119
Ignition type.....	Battery		

ADDITIONAL DATA

.....

.....

.....

.....

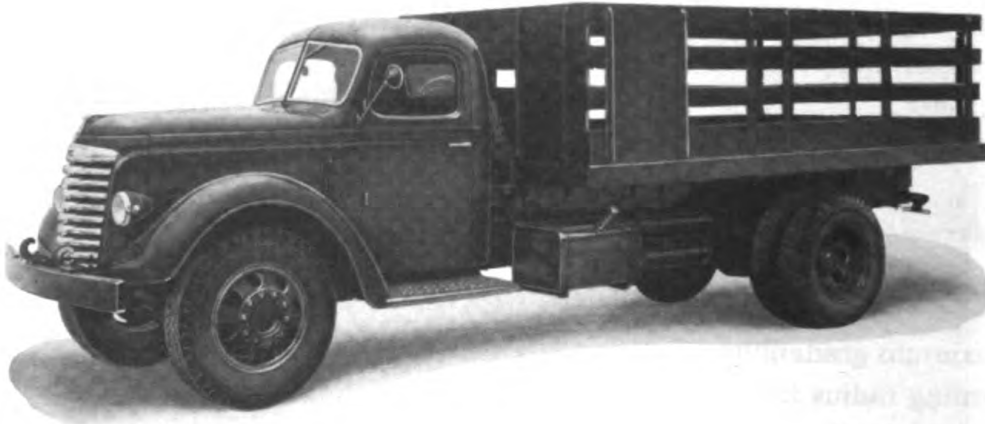
TM 9-2800

**STANDARD MILITARY MOTOR VEHICLES
TRUCK, COMBINATION STAKE AND PLATFORM
5-TON, 4 x 2**

Technical Manuals:

Parts List:

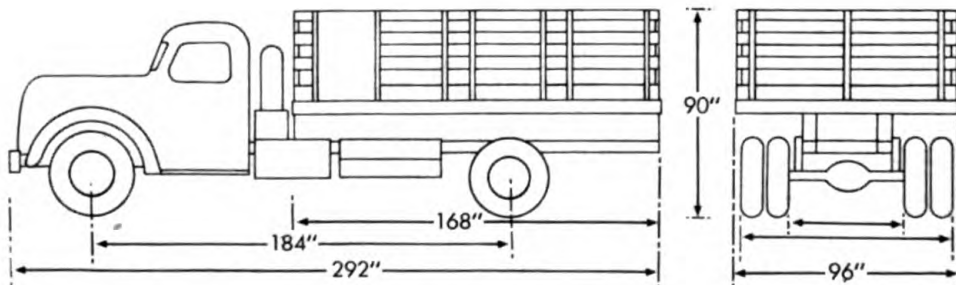
Manufacturers: Federal Motor Truck Co., General Motors Truck and Coach Div. of Yellow Truck and Coach Mfg. Co., International Harvester Co.



RA PD 309126

Classification: Standard

Purpose: To transport heavy cargo.



SECTION VIII—TRUCKS
TRUCK, COMBINATION STAKE AND PLATFORM
5-TON, 4 x 2

GENERAL DATA

Crew		2
Weight	Net	(lb) 10,450
	Payload	(lb) 10,000
	Gross	(lb) 20,450
Shipping dimensions	(cu ft) 2,061	(sq ft)
Tires	Ply ... 12	Size ... 10.00 x 20
Tread, center to center (in.)	Front 70 $\frac{1}{2}$	Rear 71
Ground clearance		(in.) 10 $\frac{1}{2}$
Electrical system		(volts) 6
Capacities	Fuel, 70 octane gasoline	(gal) 37
	Cooling system	(qt) 28
	Crankcase	(qt) 15
Brakes	(Westinghouse) Air	

PERFORMANCE

Maximum gradability	(in low)	(percent) 31
Turning radius		(ft) 21
Fording depth		(in.)
Angle of approach		(deg) 42
Angle of departure		(deg) 24
Fuel consumption, average conditions		(miles per gal) 4.75
Cruising range, average conditions		(miles) 175
Maximum allowable speed		(mph) 46
Number of speeds forward		

ENGINE

Manufacturer	Hercules	Model WXLC-3
Type	In-line, 4 cycle	Number of cylinders 6
Displacement		(cu in.) 404
Governed speed		(rpm)
Brake horsepower		118
Ignition type	Battery	

ADDITIONAL DATA

Truck, cargo, 5-ton, 4 x 2 is similar to this vehicle.

.....

.....

.....

TM 9-2800

**STANDARD MILITARY MOTOR VEHICLES
TRUCK, DUMP, 5-TON, 4 x 2**

Technical Manuals: IHC, TM 10-1145,
TM 10-1337, TM 10-1383,
TM 10-1509, TM 10-1555,
TM 10-1683.

Parts Lists:
SNL G-542 (IHC)
SNL G-555 (Federal)
SNL G-647 (GMC)

Manufacturers: Autocar Co.; Federal Motor Truck Co.; General Motors
Truck and Coach Division of Yellow Truck and Coach Mfg. Co.;
International Harvester Co.

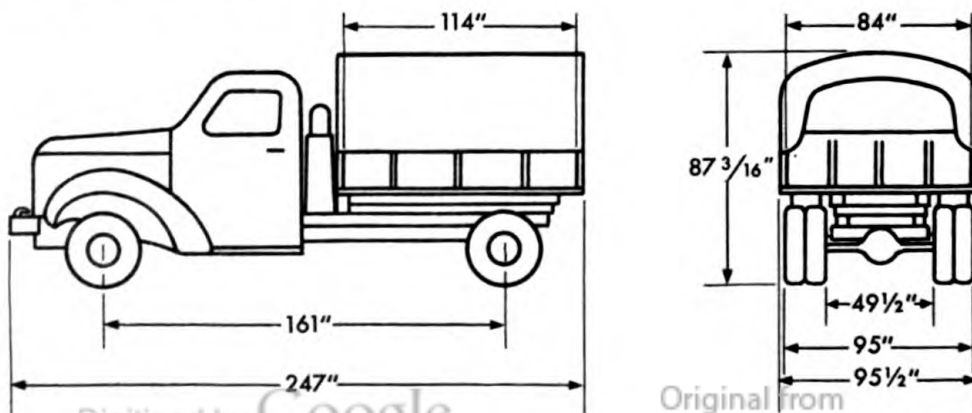


RA PD 308981

Vehicle illustrated above: International

Classification: Standard

Purpose: To transport and dump earth, sand, gravel, coal, etc., and to
carry general cargo.



Digitized by Google 300

Original from
UNIVERSITY OF CALIFORNIA

SECTION VIII—TRUCKS
TRUCK, DUMP, 5-TON, 4 x 2

GENERAL DATA

Crew		2
Weight	Net	(lb) 12,950
	Payload	(lb) 10,000
	Gross	(lb) 22,950
Shipping dimensions	(cu ft)	(sq ft)
Tires	Ply 12	Size 10.00 x 20
Tread, center to center (in.)	Front $72\frac{5}{8}$	Rear $72\frac{3}{16}$
Ground clearance		(in.) $10\frac{13}{16}$
Electrical system		(volts) 6
Capacities	Fuel, 70 octane gasoline	(gal) 40
	Cooling system	(qt) 26
	Crankcase (refill)	(qt) 10
Brakes		Air

PERFORMANCE

Maximum gradability	(percent)	51
Turning radius	(ft)	29
Fording depth	(in.)	$32\frac{1}{2}$
Angle of approach	(deg)	34
Angle of departure	(deg)	35
Fuel consumption, average conditions	(miles per gal)	5.5
Cruising range, average conditions	(miles)	220
Maximum allowable speed	(mph)	38
Number of speeds forward		5

ENGINE

Manufacturer	IHC	Model RED-450
Type	In-line, 4 cycle	Number of cylinders 6
Displacement		(cu in.) 451
Governed speed		(rpm) 2,700
Brake horsepower		130
Ignition type		Battery

ADDITIONAL DATA

.....

TM 9-2800

STANDARD MILITARY MOTOR VEHICLES
TRUCK, BRIDGE CONSTRUCTION, 6-TON, 6 x 6

Technical Manual: TM 10-1529

Parts List:

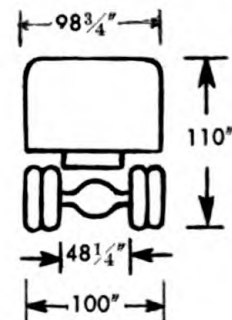
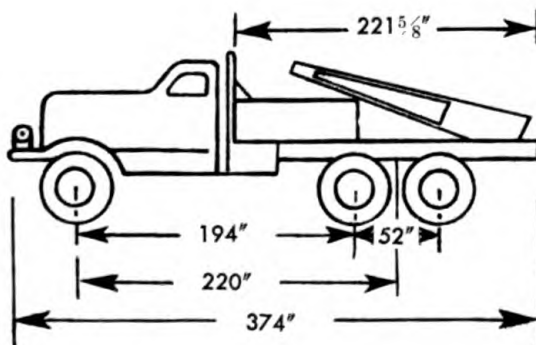
Manufacturers: Truck, Brockway Motor Co., Inc.; Crane, The Daybrook Hydraulic Corp. (Steel Treadway Bridge Hydraulic Crane M-II).



RA PD 66652

Classification: Standard

Purpose: Used by Corps of Engineers to transport and erect bridge equipment.



SECTION VIII—TRUCKS
TRUCK, BRIDGE CONSTRUCTION, 6-TON, 6 x 6

GENERAL DATA

Crew.....			2
Weight.....	Net.....	(lb)	26,500
	Payload.....	(lb)	12,000
	Gross.....	(lb)	38,500
Shipping dimensions, unboxed (cu ft) 2,437.....	(sq ft) 266		
Tires.....	Ply 14.....	Size 12.00 x 20	
Tread.....	Front 73 ⁵ / ₈	Rear 74 ¹ / ₈	
Ground clearance.....		(in.)	10 ¹ / ₄
Pintle height.....		(in.)	37
Electrical system.....		(volts)	12
Capacities.....	Fuel, 72 octane gasoline.....	(gal)	80
	Cooling system.....	(qt)	58
	Crankcase (refill).....	(qt)	16
Brakes.....	(Bendix-Westinghouse)	Air	

PERFORMANCE

Maximum gradability.....	(percent)	37
Turning radius (ft).....	Right 49.....	Left 48
Fording depth.....	(in.)	
Angle of approach.....	(deg)	40
Angle of departure.....	(deg)	28
Fuel consumption, average conditions.....	(miles per gal)	2.6
Cruising range, average conditions.....	(miles)	170
Maximum allowable speed.....	(mph)	37
Number of speeds forward.....		4

ENGINE

Manufacturer.....	Hercules.....	Model HXD	
Type.....	In-line, 4 cycle.....	Number of cylinders	6
Displacement.....		(cu in.)	855
Governed speed.....		(rpm)	2,150
Brake horsepower.....			202
Ignition type.....		Battery	

ADDITIONAL DATA

Winch capacity.....	(lb)
.....	
.....	
.....	

TM 9-2800

**STANDARD MILITARY MOTOR VEHICLES
TRUCK, SHOVEL-CRANE, 6-TON, 6 x 6**

Technical Manual: TM 10-1529.

Parts List:

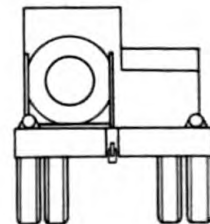
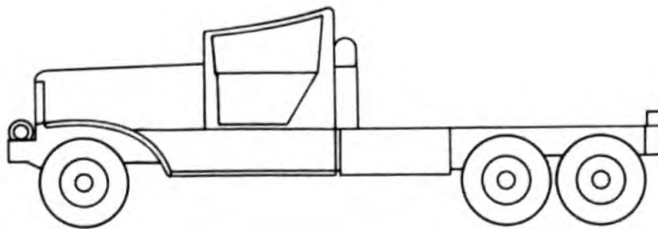
Manufacturers: Truck, Brockway Motor Co., Inc.; Shovel-Crane, Quick-Way Truck Shovel Co.



RA PD 309130

Classification: Standard

Purpose: Used by Corps of Engineers to provide mobile facilities for crane, shovel, dragline, clamshell and pile driver operations.



SECTION VIII—TRUCKS
TRUCK, SHOVEL-CRANE, 6-TON, 6 x 6

GENERAL DATA

Crew.....		
Weight.....	Net.....(lb)	
	Payload.....(lb)	
	Gross.....(lb)	
Shipping dimensions.....	(cu ft).....(sq ft)	
Tires.....	Ply...14.....Size...12.00 x 20	
Ground clearance.....	(in.)	11
Electrical system.....	(volts)	12
Capacities.....	Fuel, 72 octane gasoline... (gal)	80
	Cooling system.....(qt)	58
	Crankcase (refill).....(qt)	16
Brakes.....	(Bendix-Westinghouse) Air	

PERFORMANCE

Maximum gradability.....	(percent)	37
Turning radius (ft).....	Right 49.....Left 48	
Fording depth.....	(in.)	
Angle of approach.....	(deg)	
Angle of departure.....	(deg)	
Fuel consumption, average conditions.....	(miles per gal)	
Cruising range, average conditions.....	(miles)	
Maximum allowable speed.....	(mph)	
Number of speeds forward.....		4

ENGINE

Manufacturer.....	Hercules.....	Model HXD	
Type.....	In-line, 4 cycle.....	Number of cylinders	6
Displacement.....	(cu in.)		855
Governed speed.....	(rpm)		2,150
Brake horsepower.....			202
Ignition type.....	Battery		

ADDITIONAL DATA

Winch capacity.....(lb)

No photo of complete unit available.

.....

.....

TM 9-2800

**STANDARD MILITARY MOTOR VEHICLES
TRUCK, PRIME MOVER, 6-TON, 6 x 6**

Technical Manuals: Corbitt, TM 10-1109,
TM 10-1159, TM 10-1553.
Mack, TM 10-1477, TM 10-1601.
White, TM 10-1221, TM 10-1467.

Parts Lists:
SNL G-512 (Corbitt)
SNL G-514 (Mack)
SNL G-532 (Mack)
SNL G-547 (Brock.)

Manufacturers: Brockway Motor Co., Inc., Corbitt Co., Mack Mfg.
Corp., White Motor Co.

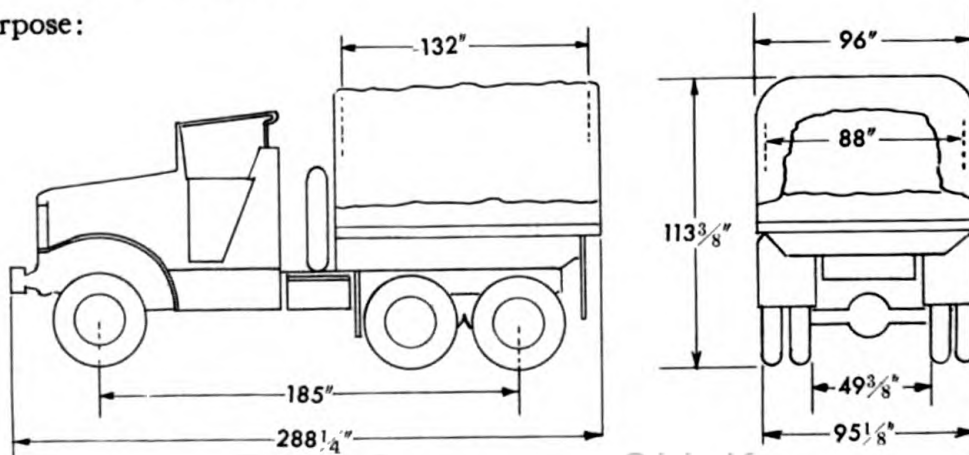


RA PD 308953

Vehicle illustrated above: Corbitt

Classification: Standard

Purpose:



SECTION VIII—TRUCKS
TRUCK, PRIME MOVER, 6-TON, 6 x 6

GENERAL DATA

Crew		2
Weight	Net	22,070
	Payload	12,070
	Gross	34,140
Shipping dimensions	(cu ft) 1,868	(sq ft) 190
Tires	Ply 12	Size 9.75 x 22
Tread, center to center (in.)	Front 72 ¹ / ₂	Rear 72 ¹ / ₄
Ground clearance		(in.) 10
Pintle height		(in.) 31
Electrical system		(volts) 6
Capacities	Fuel, 65 octane gasoline	(gal) 75
	Cooling system	(qt) 72
	Crankcase (refill)	(qt) 18
Brakes	(Westinghouse) Air	

PERFORMANCE

Maximum gradability	(percent)	30
Turning radius (ft)	Right 40 ¹ / ₂	Left 41
Fording depth	(in.)	24
Angle of approach	(deg)	52
Angle of departure	(deg)	43
Fuel consumption, average conditions	(miles per gal)	2
Cruising range, average conditions	(miles)	175
Maximum allowable speed	(mph)	35
Number of speeds forward		4

ENGINE

Manufacturer	Hercules	Model HXC
Type	In-line, 4 cycle	Number of cylinders 6
Displacement		(cu in.) 855
Governed speed		(rpm) 2,150
Brake horsepower		180
Ignition type	Battery	

ADDITIONAL DATA

Winch capacity

(located at rear of cab)

(lb) 25,000

About 25 percent of these vehicles are being equipped with truck mount M36 for antiaircraft machine gun. Applied to Mack and Corbitt only in this instance.

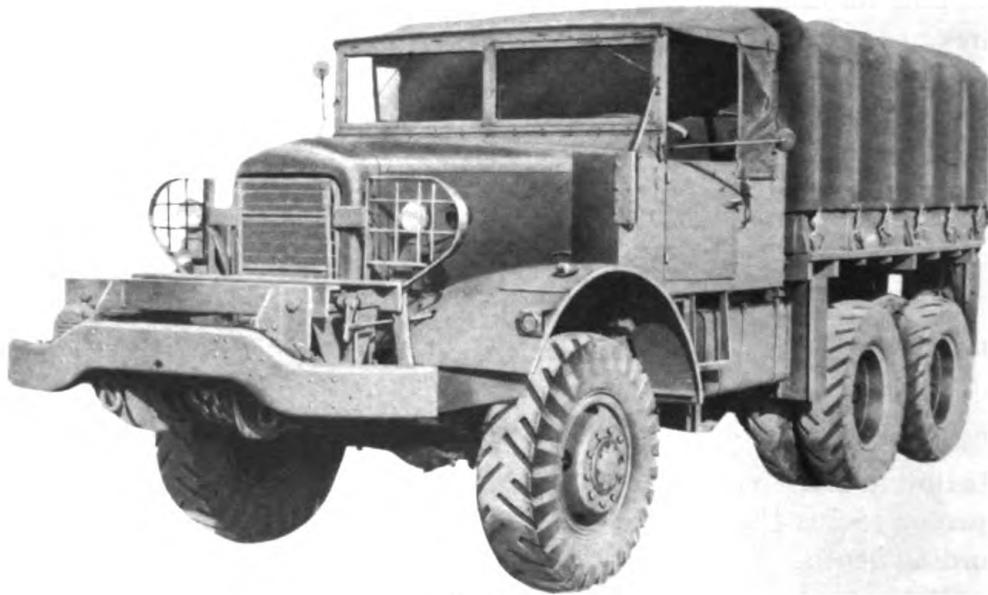
TM 9-2800

**STANDARD MILITARY MOTOR VEHICLES
TRUCK, PRIME MOVER, 7½-TON, 6 x 6**

Technical Manual: TM 10-1479

Parts List: SNL G-532

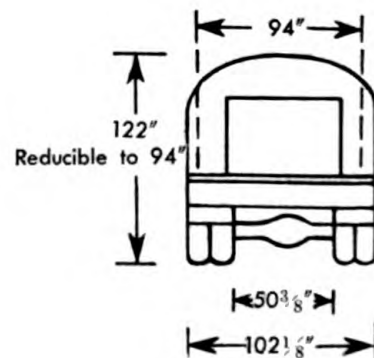
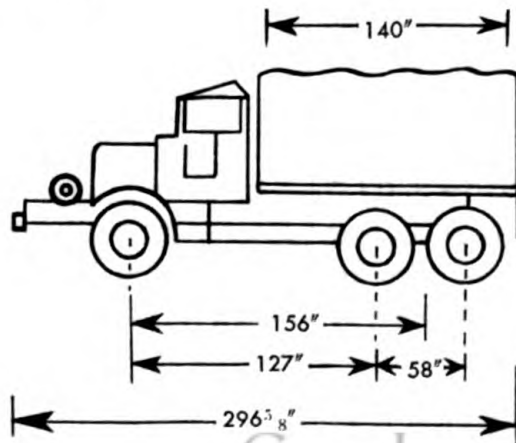
Manufacturer: Mack Mfg. Corp.



RA PD 66662

Classification: Standard

Purpose: To tow heavy artillery (155-mm and 240-mm) and transport cargo.



SECTION VIII—TRUCKS
TRUCK, PRIME MOVER, 7½-TON, 6 x 6

GENERAL DATA

Crew, operating 2	Passenger capacity, including crew	4
Weight	Net (lb)	29,620
	Payload (lb)	15,000
	Gross (lb)	44,620
Shipping dimensions	(cu ft) 2,132 (sq ft) 210	
Tires	Ply 14 Size 12.00 x 24	
Tread, center to center (in.)	Front 78 Rear 76¼	
Ground clearance	(in.)	13½
Pintle height	(in.)	42 ⁵ / ₈
Electrical system	(volts)	12
Capacities	Fuel, 70 octane gasoline (gal)	160
	Cooling system (qt)	55½
	Crankcase (refill) (qt)	29
Brakes	(Westinghouse) Air	

PERFORMANCE

Maximum gradability	(percent)	65
Turning radius (ft)	Right 34 Left 33	
Fording depth	(in.)	
Angle of approach	(deg)	35
Angle of departure	(deg)	45
Fuel consumption, average conditions	(miles per gal)	
Cruising range, average conditions	(miles)	400
Maximum allowable speed	(mph)	31½

ENGINE

Manufacturer	Mack	Model EY	
Type	In-line, 4 cycle	Number of cylinders	6
Displacement	(cu in.)		707
Governed speed	(rpm)		2,100
Brake horsepower			156
Ignition type	Battery		

ADDITIONAL DATA

Winch capacity	(lb)	25,000
.....		
.....		
.....		

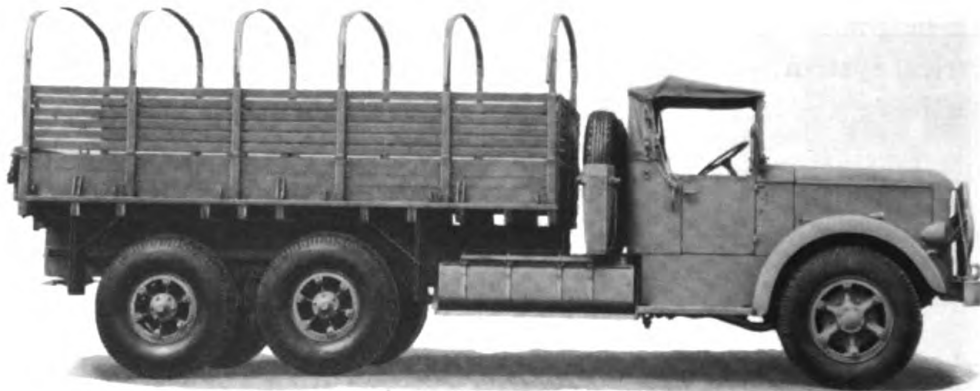
TM 9-2800

**STANDARD MILITARY MOTOR VEHICLES
TRUCK, CARGO, 10-TON, 6 x 4**

Technical Manuals: Mack, TM 10-1197,
TM 10-1421, TM 10-1545.
White, TM 10-1467.

Parts Lists:
SNL G-642 (White)
SNL G-528 (Mack)

Manufacturers: Mack Mfg. Corp.; White Motor Co.

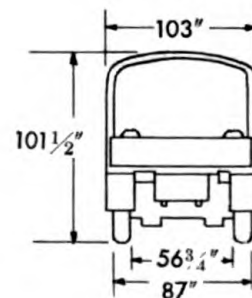
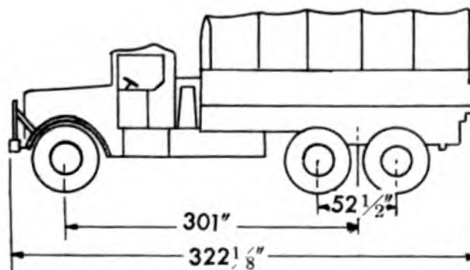


RA PD 308952

Vehicle illustrated above: Mack

Classification:

Purpose: To transport general cargo.



SECTION VIII—TRUCKS
TRUCK, CARGO, 10-TON, 6 x 4

GENERAL DATA

Crew.....			
Weight.....	Net.....	(lb)	20,950
	Payload.....	(lb)	22,000
	Gross.....	(lb)	42,950
Shipping dimensions.....	(cu ft)	(sq ft)	
Tires.....	Front..Ply..	Size..	11.00 x 24
	Rear...Ply..	Size..	14.00 x 20
Ground clearance.....		(in.)	13
Tread, center to center (in.)	Front 79½	Rear 75¼	
Electrical system.....		(volts)	24
Capacities.....	Fuel, 50 cetane, Diesel fuel oil.....	(gal)	150
	Cooling system.....	(qt)	19
	Crankcase (refill).....	(qt)	
Brakes.....		Air	

PERFORMANCE

Maximum gradability.....		(percent)	32
Turning radius (ft).....	Right 38	Left 39½	
Fording depth.....		(in.)	
Angle of approach.....		(deg)	36
Angle of departure.....		(deg)	38
Fuel consumption, average conditions.....		(miles per gal)	
Cruising range, average conditions.....		(miles)	
Maximum allowable speed.....		(mph)	37
Number of speeds forward.....			5

ENGINE

Manufacturer.....	Mack	Model ED	
Type.....	Diesel	Number of cylinders	6
Displacement.....		(cu in.)	518.64
Governed speed.....		(rpm)	
Brake horsepower.....			
Ignition type.....		Battery	

ADDITIONAL DATA

.....

TM 9-2800

STANDARD MILITARY MOTOR VEHICLES
TRUCK, HEAVY WRECKER, 10-TON, 6 x 6, M1

Technical Manuals: Kenworth, TM 9-795, Parts List: SNL G-116
TM 9-1795A, TM 9-1795B,
TM 9-1795C, TM 9-1795D.

Manufacturers: Kenworth Motor Truck Corp.; Ward-LaFrance Truck Corp.

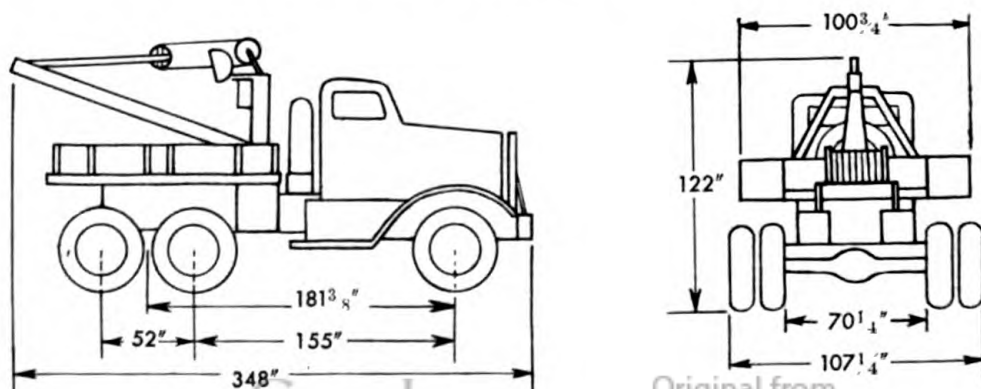


RA PD 308956

Vehicle illustrated above: Ward-LaFrance

Classification: Standard

Purpose: To lift and tow disabled heavy vehicles.



Original from
UNIVERSITY OF CALIFORNIA

SECTION VIII—TRUCKS
TRUCK, HEAVY WRECKER, 10-TON, 6 x 6, M1

GENERAL DATA

Crew		2
Weight	Net	(lb) 27,330
	Payload	(lb) 8,000
	Gross	(lb) 35,330
Shipping dimensions	(cu ft)	(sq ft)
Tires	Ply 12	Size 11.00 x 20
Tread, center to center (in.)	Front 73 ¹ / ₄	Rear 88 ³ / ₄
Ground clearance		(in.) 12 ³ / ₄
Electrical system		(volts) 12
Capacities	Fuel, 68 octane gasoline	(gal) 100
	Cooling system	(qt) 40
	Crankcase (refill)	(qt) 10
Brakes		Air

PERFORMANCE

Maximum gradability	(percent)	60
Turning radius	(ft)	37 ¹ / ₂
Fording depth	(in.)	40
Angle of approach	(deg)	55 ¹ / ₂
Angle of departure	(deg)	55
Fuel consumption, average conditions	(miles per gal)	2.5
Cruising range, average conditions	(miles)	200
Maximum allowable speed	(mph)	45
Number of speeds forward		5

ENGINE

Manufacturer	Continental	Model 22R
Type	In-line, 4 cycle	Number of cylinders 6
Displacement		(cu in.) 501
Governed speed		(rpm) 2,400
Brake horsepower		133
Ignition type		Battery

ADDITIONAL DATA

Winch capacity	(lb)	20,000
----------------------	------	--------

Series 1, 2 and 3 have battery and magneto ignition.

.....

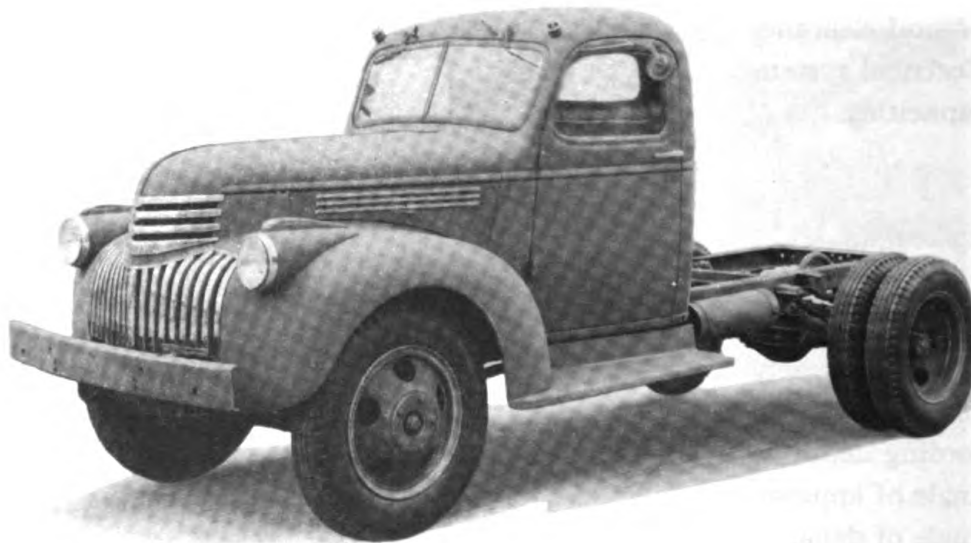
TM 9-2800

**STANDARD MILITARY MOTOR VEHICLES
TRUCK TRACTOR, 1½-TON, 4 x 2**

Technical Manuals: Chevrolet, TM 10-1299,
TM 10-1305, TM 10-1321, TM 10-1411.
Ford, TM 10-1257, TM 10-1433.

Parts Lists:
SNL G-617 (Chev.)
SNL G-540 (Ford)

Manufacturers: Chevrolet Motor Div. (General Motors Corp.); Ford
Motor Co.

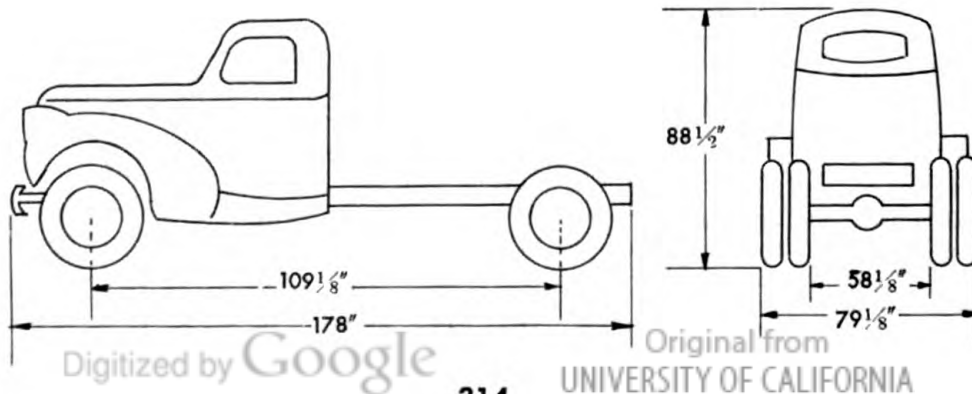


RA PD 308929

Vehicle illustrated above: Chevrolet

Classification: Standard

Purpose: To tow semitrailers.



SECTION IX—TRUCK TRACTORS
TRUCK TRACTOR, 1½-TON, 4 x 2

GENERAL DATA

Crew		2
Weight	Net	(lb) 5,225
	Payload	(lb) 4,500
	Gross	(lb) 9,725
Shipping dimensions	(cu ft)	(sq ft)
Tires	Ply 8	Size 7.50 x 20
Ground clearance		(in.) 9 ³ / ₄
Tread, center to center (in.)	Front 56 ¹ / ₁₆	Rear 68 ⁵ / ₈
Electrical system		(volts) 6
Capacities	Fuel, 72 octane gasoline	(gal) 25
	Cooling system	(qt) 16
	Crankcase (refill)	(qt) 5
Brakes		Hydraulic

PERFORMANCE

Maximum gradability		(percent) 36
Turning radius (ft)	Right 20	Left 20 ¹ / ₂
Fording depth		(in.)
Angle of approach		(deg) 41
Angle of departure		(deg) 40
Fuel consumption, average conditions		(miles per gal) 7
Cruising range, average conditions		(miles) 175
Maximum allowable speed		(mph)
Number of speeds forward		

ENGINE

Manufacturer	Chevrolet	Model 1942 BLA 1001 up
Type	In-line, 4 cycle	Number of cylinders 6
Displacement		(cu in.) 235.5
Governed speed		(rpm)
Brake horsepower		83
Ignition type		Battery

ADDITIONAL DATA

.....

..... Original from

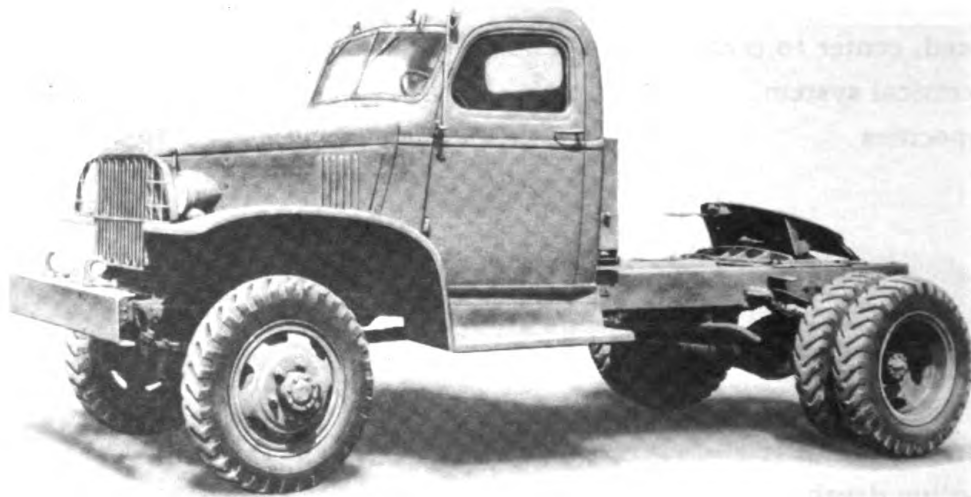
TM 9-2800

**STANDARD MILITARY MOTOR VEHICLES
TRUCK TRACTOR, 1½-TON, 4 x 4**

Technical Manuals: TM 10-1127,
TM 10-1203, TM 10-1431.

Parts List: SNL G-506

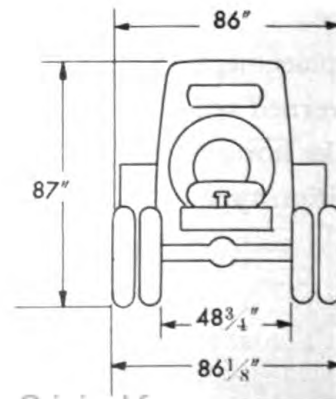
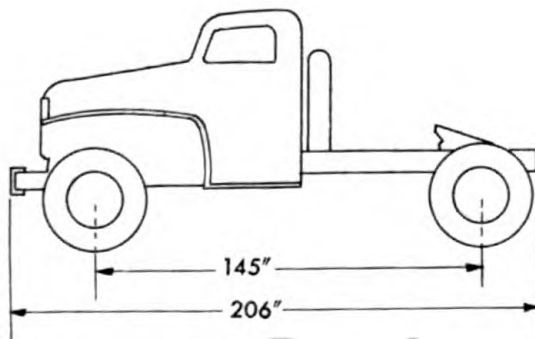
Manufacturer: Chevrolet Motor Div. (General Motors Corporation).



RA PD 309095

Classification: Standard

Purpose: To tow semitrailers.



Digitized by Google

SECTION IX—TRUCK TRACTORS
TRUCK TRACTOR, 1½-TON, 4 x 4

GENERAL DATA

Crew		1
Weight	Net	(lb) 6,140
	Payload	(lb) 4,500
	Gross	(lb) 10,640
Shipping dimensions	(cu ft)	(sq ft) .
Tires	Ply . . . 8	Size . . . 7.50 x 20
Tread, center to center (in.)	Front 60½	Rear 67½
Ground clearance		9⅞
Electrical system		(volts) 6
Capacities	Fuel, 72 octane gasoline . . .	(gal) 30
	Cooling system	(qt) 17
	Crankcase (refill)	(qt) 5
Brakes		Hydraulic

PERFORMANCE

Maximum gradability	(percent)	65
Turning radius	(ft)	29½
Fording depth	(in.)	32
Angle of approach	(deg)	45
Angle of departure	(deg)	30
Fuel consumption, average conditions	(miles per gal)	9
Cruising range, average conditions	(miles)	270
Maximum allowable speed	(mph)	48
Number of speeds forward		4

ENGINE

Manufacturer	Chevrolet	Model 1942 BV 1001 up	
Type	In-line, 4 cycle	Number of cylinders	6
Displacement		(cu in.)	235.5
Governed speed		(rpm)	3,100
Brake horsepower			83
Ignition type		Battery	

ADDITIONAL DATA

Equipped with trailer electric brake hand control (Warner).

 Original from

TM 9-2800

**STANDARD MILITARY MOTOR VEHICLES
TRUCK TRACTOR, 2½-TON, 4 x 2**

Technical Manual: TM 10-1261 (C1).

Parts List: SNL G-627

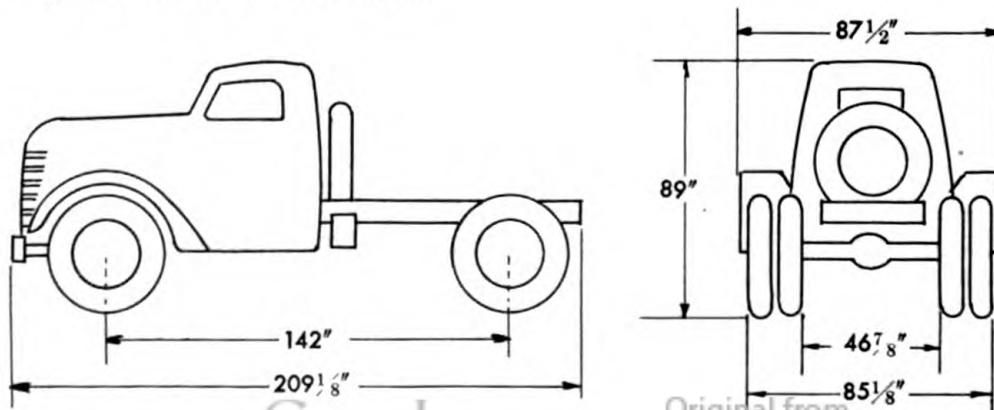
Manufacturer: General Motors Truck & Coach Div. of Yellow Coach & Truck Mfg. Co.



RA PD 309100

Classification: Limited standard

Purpose: To tow semitrailers.



Digitized by Google

SECTION IX—TRUCK TRACTORS
TRUCK TRACTOR, 2½-TON, 4 x 2

GENERAL DATA

Crew		2
Weight	Net	(lb) 6,890
	Payload	(lb) 7,000
	Gross	(lb) 13,890
Shipping dimensions	(cu ft)	(sq ft)
Tires	Ply 10	Size 8.25 x 20
Tread, center to center (in.)	Front	Rear
Ground clearance		(in.)
Electrical system		(volts) 6
Capacities	Fuel, octane gasoline	(gal) 29
	Cooling system	(qt) 18
	Crankcase (refill)	(qt) 6½
Brakes	(Timken-Westinghouse) Air	

PERFORMANCE

Maximum gradability	(percent)	
Turning radius	(ft)	30
Fording depth	(in.)	
Angle of approach	(deg)	
Angle of departure	(deg)	
Fuel consumption, average conditions	(miles per gal)	10
Cruising range, average conditions	(miles)	290
Maximum allowable speed	(mph)	
Number of speeds forward		

ENGINE

Manufacturer	GMC	Model 308
Type	In-line, 4 cycle	Number of cylinders 6
Displacement		(cu in.) 308.23
Governed speed		(rpm)
Brake horsepower		
Ignition type		Battery

ADDITIONAL DATA

.....

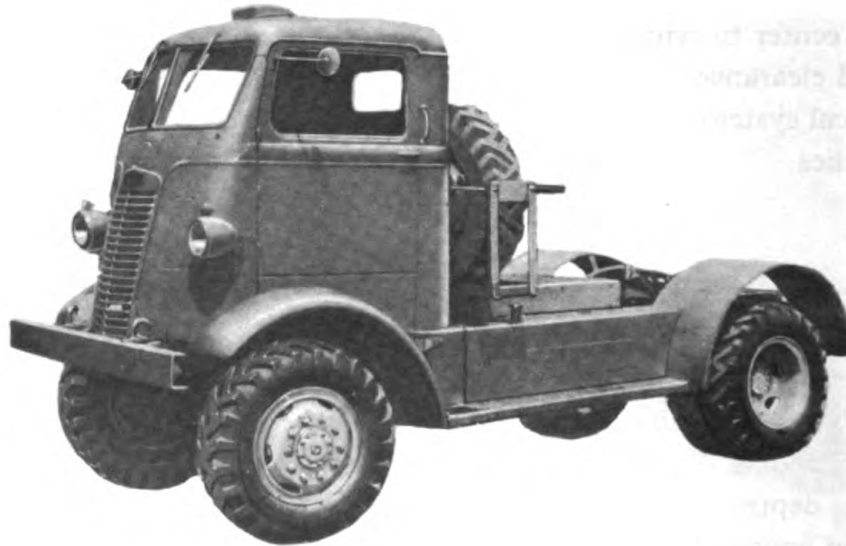
TM 9-2800

**STANDARD MILITARY MOTOR VEHICLES
TRUCK TRACTOR, C.O.E., 2½-TON, 4 x 4**

Technical Manuals: TM 10-1390,
TM 10-1396.

Parts List: SNL G-626

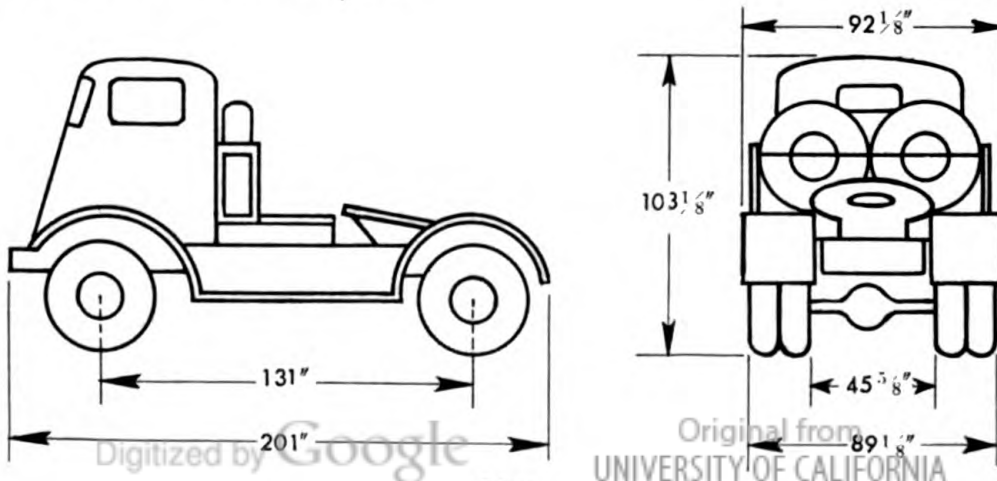
Manufacturer: The Autocar Co.



RA PD 66668

Classification: Limited standard

Purpose: To tow semitrailers.



Digitized by Google

SECTION IX—TRUCK TRACTORS
TRUCK TRACTOR, C.O.E., 2½-TON, 4 x 4

GENERAL DATA

Crew		2
Weight	Net	(lb) 10,000
	Payload	(lb) 5,000
	Gross	(lb) 15,000
Shipping dimensions	(cu ft) 1,146	(sq ft) 131
Tires	Ply	Size 9.00 x 20
Ground clearance		(in.) 11 ⁵ / ₈
Electrical system		(volts) 6
Capacities	Fuel, 70 octane gasoline	(gal) 40
	Cooling system	(qt) 23
	Crankcase	(qt) 10
	Transmission	(qt) 12
Brakes		Air

PERFORMANCE

Maximum gradability	(percent)	45
Turning radius	(ft)	22
Fording depth	(in.)	
Angle of approach	(deg)	50
Angle of departure	(deg)	38
Fuel consumption, average conditions, with towed load	(miles per gal)	4
Cruising range, average conditions	(miles)	160
Maximum allowable speed	(mph)	45
Number of speeds forward		

ENGINE

Manufacturer	Autocar	Model 358
Type	In-line, 4 cycle	Number of cylinders 6
Displacement		(cu in.) 358
Governed speed		(rpm) 2,600
Brake horsepower		
Ignition type		Battery

ADDITIONAL DATA

.....

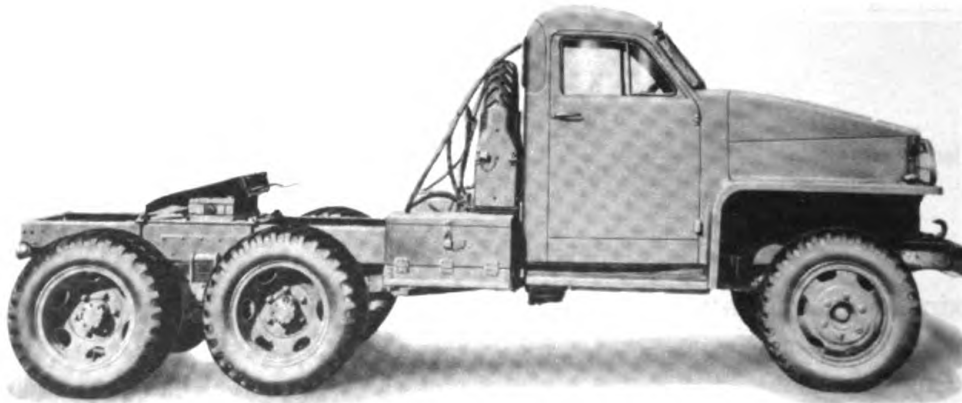
TM 9-2800

**STANDARD MILITARY MOTOR VEHICLES
TRUCK TRACTOR, 2½-TON, 6 x 4**

Technical Manuals: TM 10-1385,
TM 10-1565.

Parts List: SNL G-630

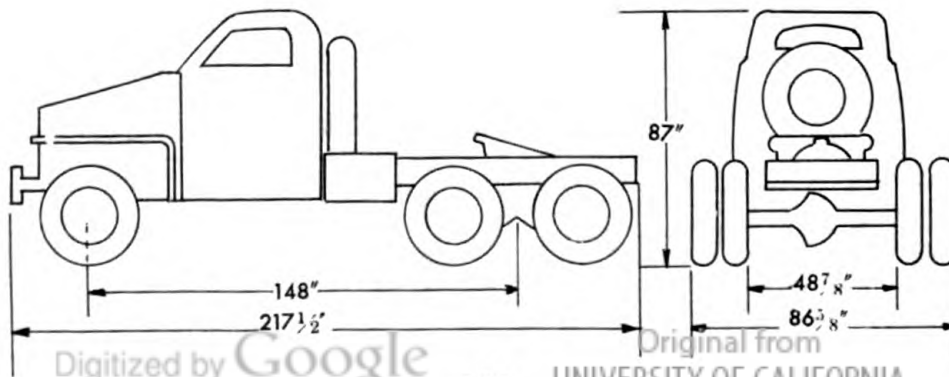
Manufacturer: The Studebaker Corp.



RA PD 309097

Classification: Substitute standard

Purpose: To tow semitrailers.



SECTION IX—TRUCK TRACTORS
TRUCK TRACTOR, 2½-TON, 6 x 4

GENERAL DATA

Crew		2
Weight	Net	(lb) 8,190
	Payload	(lb) 15,650
	Gross	(lb) 23,840
Shipping dimensions	(cu ft)	(sq ft)
Tires	Ply 8	Size 7.50 x 20
Tread, center to center (in.)	Front 66 ⁷ / ₈	Rear 67 ³ / ₄
Ground clearance		(in.) 10
Electrical system		(volts) 6
Capacities	Fuel, 70 octane gasoline	(gal) 40
	Cooling system	(qt) 21
	Crankcase (refill)	(qt) 8
Brakes	(Lockheed) Hydraulic	

PERFORMANCE

Maximum gradability	(percent)	17
Turning radius	(ft)	32
Fording depth	(in.)	
Angle of approach	(deg)	52
Angle of departure	(deg)	45
Fuel consumption, average conditions	(miles per gal)	8
Cruising range, average conditions	(miles)	320
Maximum allowable speed	(mph)	45
Number of speeds forward		

ENGINE

Manufacturer	Hercules	Model JXD
Type	In-line, 4 cycle	Number of cylinders 6
Displacement		(cu in.) 320
Governed speed		(rpm)
Brake horsepower		
Ignition type	Battery	

ADDITIONAL DATA

.....

TM 9-2800

**STANDARD MILITARY MOTOR VEHICLES
TRUCK TRACTOR, 4-5 TON, 4 x 4**

Technical Manuals: Autocar, TM 10-1117,
TM 10-1567, TM 10-1569.
Federal, TM 10-1107, TM 10-1407,
TM 10-1459.

Parts Lists:
SNL G-513 (Federal)
SNL G-510 (Autocar)

Manufacturers: The Autocar Co.; Federal Motor Truck Co.

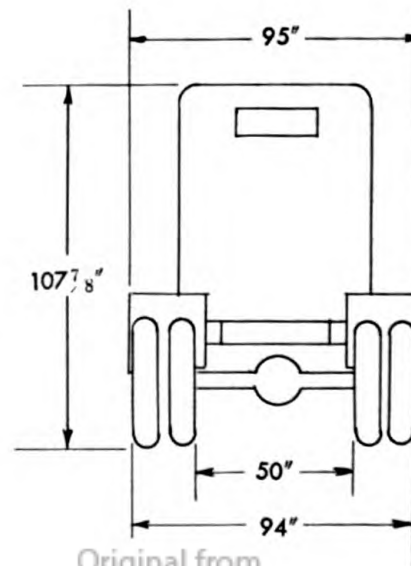
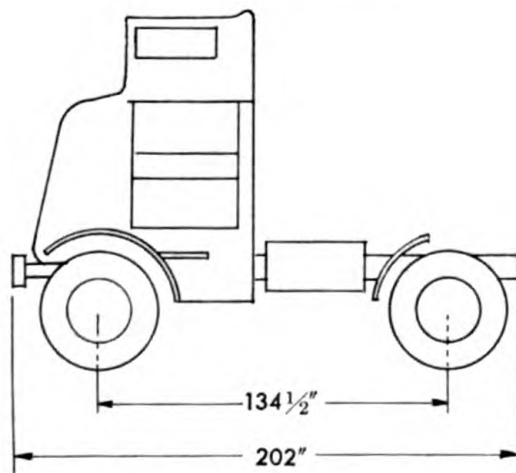


Vehicle illustrated above: Autocar

RA PD 308954

Classification: Standard

Purpose: To tow semitrailers.



Digitized by Google

SECTION IX—TRUCK TRACTORS
TRUCK TRACTOR, 4-5 TON, 4 x 4

GENERAL DATA

Crew			2
Weight	Net	(lb)	12,200
	Payload	(lb)	9,000
	Gross	(lb)	21,200
Shipping dimensions	(cu ft)	(sq ft)	
Tires	Ply 10	Size 9.00 x 20	
Ground clearance		(in.)	11 $\frac{7}{8}$
Tread, center to center (in.)	Front 73 $\frac{3}{4}$	Rear 72	
Pintle height		(in.)	35 $\frac{3}{4}$
Electrical system		(volts)	6
Capacities	Fuel, 64 octane gasoline	(gal)	60
	Cooling system	(qt)	38
	Crankcase (refill)	(qt)	14 $\frac{1}{2}$
Brakes	(Bendix-Westinghouse) Air		

PERFORMANCE

Maximum gradability	(percent)	74
Turning radius	(ft)	30
Fording depth	(in.)	24 $\frac{1}{2}$
Angle of approach	(deg)	54
Angle of departure	(deg)	50
Fuel consumption, average conditions	(miles per gal)	3.2
Cruising range, average conditions	(miles)	200
Maximum allowable speed	(mph)	41
Number of speeds forward		5

ENGINE

Manufacturer	Hercules	Model RXC	
Type	In-line, 4 cycle	Number of cylinders	6
Displacement		(cu in.)	529
Governed speed		(rpm)	2,300
Brake horsepower			131
Ignition type	Battery		

ADDITIONAL DATA

.....

TM 9-2800

STANDARD MILITARY MOTOR VEHICLES
TRUCK TRACTOR, PONTON, C.O.E., 5-6 TON, 4 x 4

Technical Manuals: Autocar, TM 10-1119.
Mack, TM 10-1705.

Parts Lists:
SNL G-511 (Autocar)
SNL G-639 (Mack)

Manufacturers: The Autocar Co., Model U-8144-T; Mack Mfg. Corp.,
Model NJU-1.

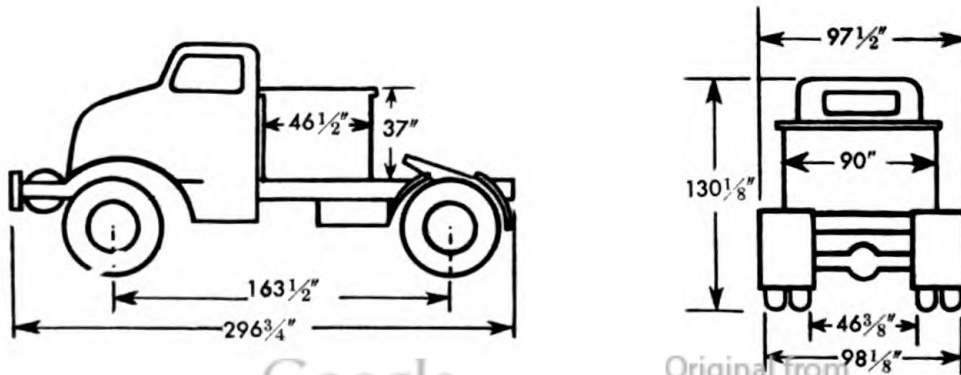


RA PD 308973

Vehicle illustrated above: Autocar

Classification: Standard

Purpose: To tow semitrailer with ponton bridge equipment.



Digitized by Google

SECTION IX—TRUCK TRACTORS

TRUCK TRACTOR, PONTON, C. O. E., 5-6 TON, 4 x 4

GENERAL DATA

Crew		2
Weight	Net	(lb) 16,600
	Payload	(lb) 10,700
	Gross	(lb) 27,300
Shipping dimensions	(cu ft) 1,536	(sq ft) 166
Tires	Ply 14	Size 12.00 x 20
Tread, center to center (in.)	Front 71 ³ / ₄	Rear 72 ¹ / ₄
Ground clearance		(in.) 10 ¹³ / ₁₆
Electrical system		(volts) 6
Capacities	Fuel, 70 octane gasoline	(gal) 90
	Cooling system	(qt) 38
	Crankcase (refill)	(qt) 14
Brakes	(Bendix-Westinghouse) Air	

PERFORMANCE

Maximum gradability	(percent)	30
Turning radius	(ft)	35
Fording depth	(in.)	24
Angle of approach	(deg)	33
Angle of departure	(deg)	54
Fuel consumption, average conditions	(miles per gal)	5.3
Cruising range, average conditions	(miles)	470
Maximum allowable speed	(mph)	46
Number of speeds forward		

ENGINE

Manufacturer	Hercules	Model RXC
Type	In-line, 4 cycle	Number of cylinders 6
Displacement		(cu in.) 529
Governed speed		(rpm) 2,400
Brake horsepower		131
Ignition type	Battery	

ADDITIONAL DATA

Winch capacity	(lb)	15,000
----------------------	------	--------

The data given above is for vehicle with winch.

Vehicles made by Mack have slightly different dimensions and weights.

TM 9-2800

STANDARD MILITARY MOTOR VEHICLES
TRUCK TRACTOR, FUEL SERVICING, F-1,
7½-TON, 6 x 6

Technical Order: T.O. 19-25-19

Parts List:

Manufacturers: Biederman Motors Co.; Federal Motor Truck Co.;
Reo Motor Car Co.

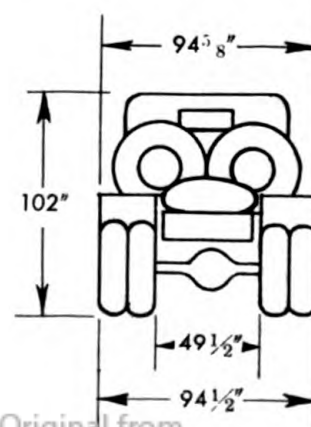
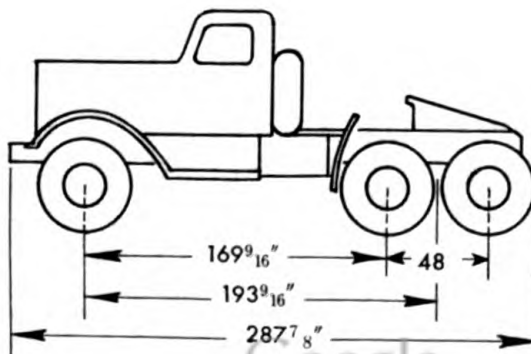


RA PD 66684

Vehicle illustrated above: Reo

Classification: Standard

Purpose: Used by Army Air Forces to tow fuel servicing semitrailer, F-1.



Original from
UNIVERSITY OF CALIFORNIA

Digitized by Google

SECTION IX—TRUCK TRACTORS
TRUCK TRACTOR, FUEL SERVICING, F-1,
7½-TON, 6 x 6

GENERAL DATA

Crew		2
Weight	Net	18,960
	Payload	15,000
	Gross	33,960
Shipping dimensions	(cu ft) 1,603	(sq ft) 189
Tires	Ply .. 12	Size .. 10.00 x 22
Tread, center to center (in.)	Front	Rear
Ground clearance		11¾
Electrical system		(volts) 12
Capacities	Fuel, 70 octane gasoline	(gal) 84
	Cooling system	(qt) 53
	Crankcase (refill)	(qt) 16
Brakes		Air

PERFORMANCE

Maximum gradability	(percent)	59
Turning radius	(ft)	34
Fording depth	(in.)	
Angle of approach	(deg)	54
Angle of departure	(deg)	66
Fuel consumption, average conditions	(miles per gal)	4.12
Cruising range, average conditions	(miles)	225
Maximum allowable speed	(mph)	41
Number of speeds forward		

ENGINE

Manufacturer	Hercules	Model HXD	
Type	In-line, 4 cycle	Number of cylinders	6
Displacement		(cu in.)	855
Governed speed		(rpm)	2,100
Brake horsepower			
Ignition type		Battery	

ADDITIONAL DATA

.....

TM 9-2800

STANDARD MILITARY MOTOR VEHICLES
TRUCK TRACTOR, WRECKING, 7½-TON, 6 x 6, C-2

Technical Orders: T.O. 19-20-9; T.O. 19-20-10 Parts List:

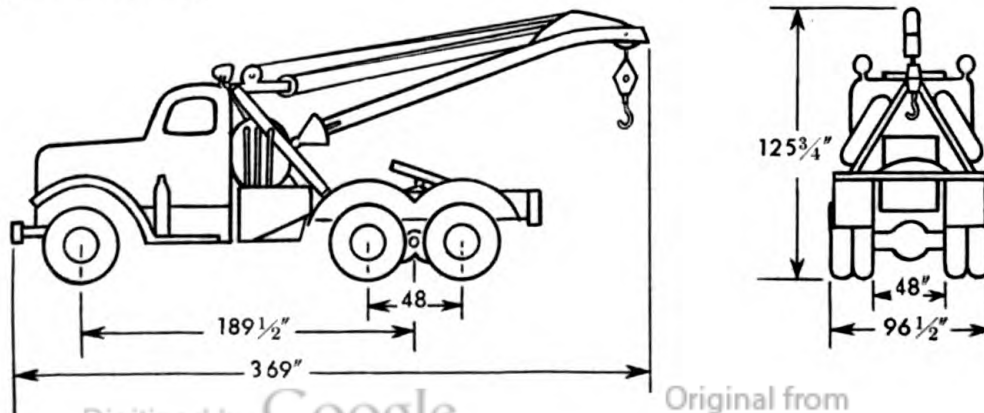
Manufacturer: Federal Motor Truck Co.



RA PD 66680

Classification: Standard

Purpose: Used by Army Air Forces to salvage crashed planes and perform general towing.



Digitized by Google

320

Original from
UNIVERSITY OF CALIFORNIA

SECTION IX—TRUCK TRACTORS
TRUCK TRACTOR, WRECKING, 7½-TON, 6 x 6, C-2

GENERAL DATA

Crew		4
Weight	Net	(lb) 27,500
	Payload .. (wgt. on 5th wheel) (lb)	13,000
	Gross	(lb) 40,500
Shipping dimensions	(cu ft) 2,072	(sq ft) 197
Tires	Ply .. 12	Size .. 11.00 x 20
Ground clearance		(in.) 12 1/8
Electrical system		(volts) 12
Capacities	Fuel, 70 octane gasoline	(gal) 110
	Cooling system	(qt) 60
	Crankcase (refill)	(qt) 16
Brakes		Air

PERFORMANCE

Maximum gradability	(percent)	58
Turning radius (ft)	Right 44	Left 40
Fording depth	(in.)	23
Angle of approach	(deg)	52
Angle of departure	(deg)	44
Fuel consumption, average conditions	(miles per gal)	3
Cruising range, average conditions	(miles)	150
Maximum allowable speed	(mph)	30
Number of speeds forward		

ENGINE

Manufacturer	Hercules	Model HXD	
Type	In-line, 4 cycle	Number of cylinders	6
Displacement		(cu in.)	855
Governed speed		(rpm)	1,700
Brake horsepower			
Ignition type		Battery	

ADDITIONAL DATA

Winch capacity	(lb)	15,000
Equipped with a 10-ton capacity boom crane, rear-mounted underslung winch, 110-volt DC electric power plant, 3,000 watts capacity, and floodlamps.		

TM 9-2800

**STANDARD MILITARY MOTOR VEHICLES
TRUCK TRACTOR, 8-TON, 6 x 4**

Technical Manual: TM 10-1551

Parts List: SNL G-556

Manufacturers: Corbitt Co.; General Motors Truck & Coach Div. of
Yellow Truck & Coach Mfg. Co.

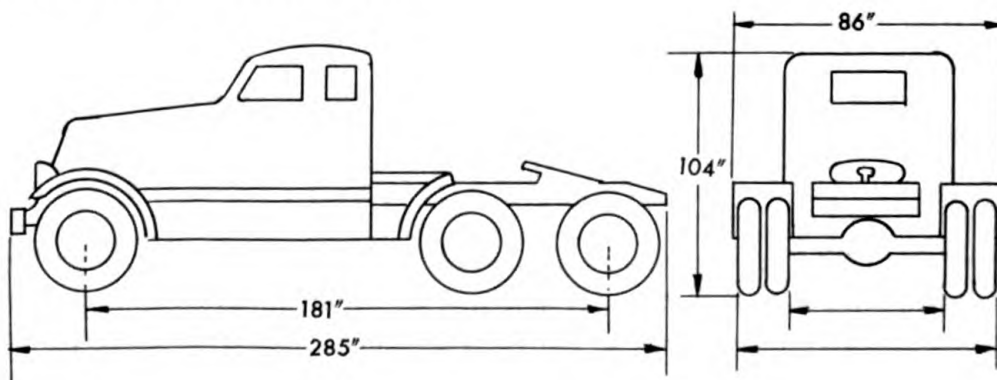


RA PD 308947

Vehicle illustrated above: Corbitt

Classification: Limited standard

Purpose: To tow semitrailers.



Digitized by Google

Original from
UNIVERSITY OF CALIFORNIA

SECTION IX—TRUCK TRACTORS
TRUCK TRACTOR, 8-TON, 6 x 4

GENERAL DATA

Crew		2
Weight	Net	(lb) 14,300
	Payload	(lb) 16,000
	Gross	(lb) 30,300
Shipping dimensions	(cu ft)	(sq ft)
Tires	Ply 10	Size 9.00 x 20
Tread, center to center (in.)	Front	Rear
Ground clearance		(in.)
Electrical system		(volts) 12
Capacities	Fuel, octane gasoline	(gal) 75
	Cooling system	(qt) 35
	Crankcase (refill)	(qt) 10
Brakes		(Westinghouse) Air

PERFORMANCE

Maximum gradability	(percent)	
Turning radius	(ft)	42½
Fording depth	(in.)	
Angle of approach	(deg)	
Angle of departure	(deg)	
Fuel consumption, average conditions	(miles per gal)	2.6
Cruising range, average conditions	(miles)	195
Maximum allowable speed	(mph)	
Number of speeds forward		

ENGINE

Manufacturer	Continental	Model 22R	
Type	In-line, 4 cycle	Number of cylinders	6
Displacement		(cu in.)	
Governed speed		(rpm)	
Brake horsepower			
Ignition type		Battery	

ADDITIONAL DATA

.....

TM 9-2800

**STANDARD MILITARY MOTOR VEHICLES
TRACTOR, CRANE, 2-TON, M3**

Technical Manuals:

Parts Lists: SNL G- 69 (CAT.)
SNL G-132 (IHC)

Manufacturers: International Harvester Co.; Crane: Hughes-Keenan Co., Model MC-1R; Caterpillar Tractor Co., Model D6; Crane: Cardwell Crane Co., Model B.

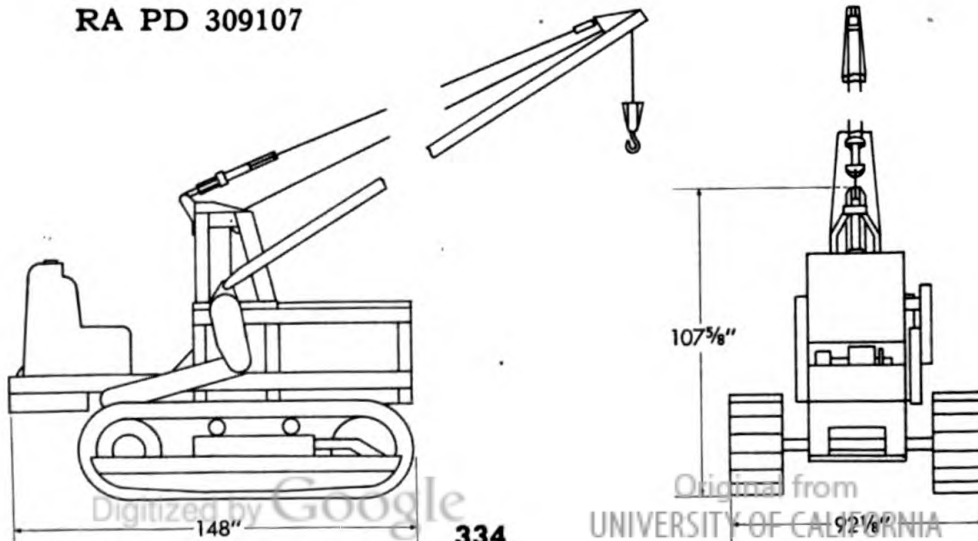
Vehicle illustrated : International TD14

Classification: Standard

Purpose: Used by Army Air Forces
to perform light towing and lifting
operations.



RA PD 309107



Original from
UNIVERSITY OF CALIFORNIA

SECTION X—TRACTORS
TRACTOR, CRANE, 2-TON, M3

GENERAL DATA

Crew		1
Weight	Net	(lb) 21,540
Shipping dimensions	(cu ft)	(sq ft)
Tread, center to center	(in.)	74
Track width	(in.)	16
Ground clearance	(in.)	9 $\frac{7}{8}$
Ground pressure	(lbs per sq in.)	8.71
Electrical system	None	
Capacities	Fuel, commercial Diesel fuel oil	(gal) 46 $\frac{1}{2}$
	Cooling system	(qt) 80
	Crankcase (refill)	(qt)
Brakes	Mechanical	

PERFORMANCE

Maximum gradability	(percent)	
Turning radius	Without boom	(ft) 8 $\frac{3}{4}$
Fording depth	(in.)	
Fuel consumption, average conditions	(miles per gal)	
Cruising range, average conditions	(miles)	110
Maximum allowable speed	(mph)	5.8
Number of speeds forward		6

ENGINE

Manufacturer	IHC	Model TD14
Type	In-line, 4 cycle, Diesel	No. of cylinders 4
Displacement	(cu in.)	460.7
Governed speed	(rpm)	
Brake horsepower		68.5
Ignition type	Compression	

ADDITIONAL DATA

Maximum lifting capacity 4,000 pounds at 12-foot radius. Boom traverse, 260°. Hoisting speed 45 feet per minute.

Caterpillar Model D6 with Cardwell Crane Model B differs considerably from International Model TD-14 in weights, etc.

TM 9-2800

**STANDARD MILITARY MOTOR VEHICLES
TRACTOR, CRANE, 6-TON, M4**

Technical Manuals:

Parts List: SNL G-126

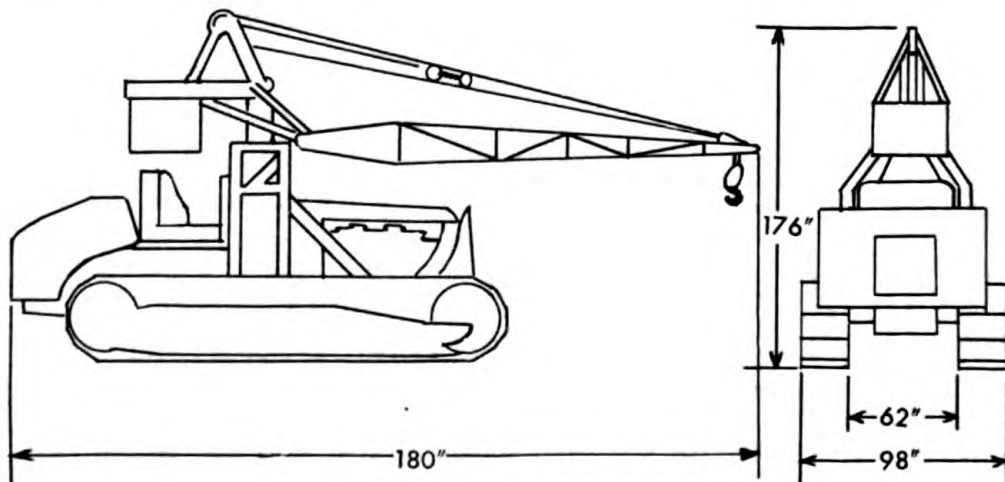
Manufacturers: Caterpillar Tractor Co.; Crane: Cardwell Crane Co.



RA PD 66495

Classification: Standard

Purpose: Used by Army Air Forces to lift aircraft engines into engine mounts.



SECTION X—TRACTORS
TRACTOR, CRANE, 6-TON, M4

GENERAL DATA

Crew		1
Weight	Gross	(lb) 41,846
Shipping dimensions	(cu ft) 1,520	(sq ft) 104
Track width		(in.) 18
Ground clearance		(in.) 15 ¹ / ₂
Ground pressure		(lbs per sq in.) 10.5
Electrical system		(volts) 6
Capacities	Fuel, 50 cetane Diesel fuel oil	(gal) 65
	Cooling system	(qt) 72
	Crankcase (refill)	(qt) 22
Brakes		Mechanical

PERFORMANCE

Maximum gradability	(percent)	40
Turning radius	(ft)	11
Fording depth	(in.)	35
Angle of approach	(deg)	40
Angle of departure	(deg)	30
Fuel consumption, average conditions (w/o towed load)	(miles per gal)	1.5
Cruising range, average conditions	(miles)	100
Maximum allowable speed	(mph)	6
Number of speeds forward		

ENGINE

Manufacturer	Caterpillar	Model D7
Type	In-line, 4 cycle, Diesel	No. of cylinders 4
Displacement		(cu in.) 831
Governed speed		(rpm) 1,000
Brake horsepower		80
Ignition type		Compression

ADDITIONAL DATA

Maximum lifting capacity 17,900 pounds at 10-foot radius. Boom traverse 300°. Hoisting speed 51 feet per minute.

.....

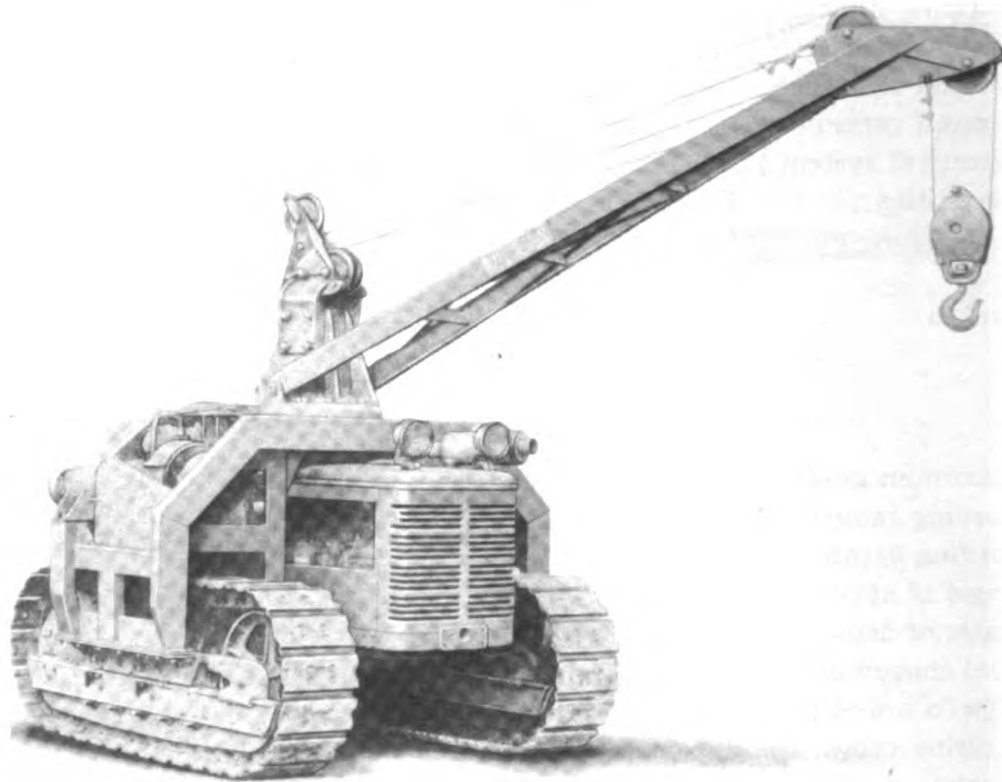
TM 9-2800

STANDARD MILITARY MOTOR VEHICLES
TRACTOR, CRANE, 2-TON, M5

Technical Manuals:

Parts List: SNL G-99

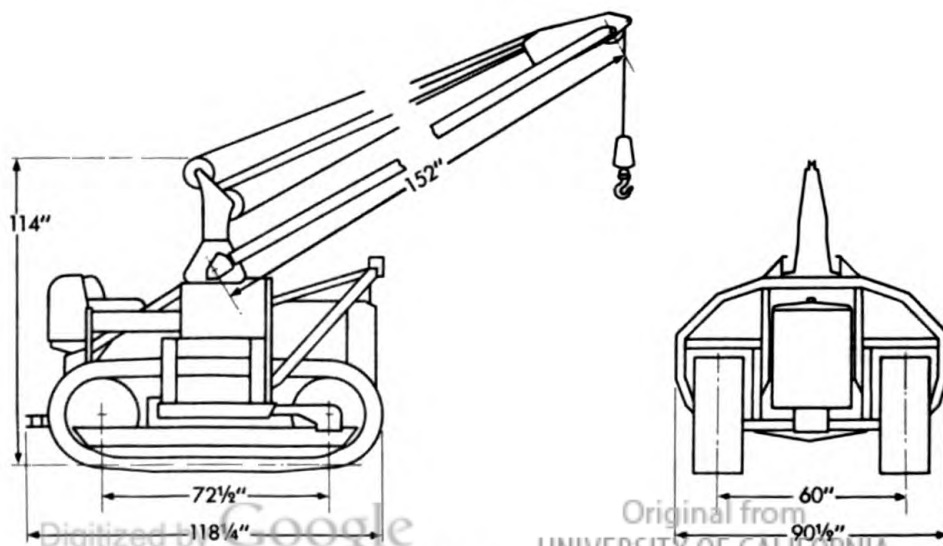
Manufacturers: International Harvester Co. T9; Crane: Trackson Co.,
Model CT-9.



Classification: Standard

RA PD 309106

Purpose: Used by Aviation Ordnance companies.



SECTION X—TRACTORS
TRACTOR, CRANE, 2-TON, M5

GENERAL DATA

Crew.....		1
Weight.....	Net.....(lb)	18,725
Shipping dimensions.....	(cu ft).....(sq ft)	
Tread, center to center.....	(in.)	60
Track width.....	(in.)	15
Ground clearance.....	(in.)	10
Ground pressure.....	(lbs per sq in.)	8.68
Electrical system.....	(volts)	6
Capacities.....	Fuel, 70 octane gasoline.....(gal)	31
	Cooling system.....(qt)	48
	Crankcase (refill).....(qt)	11
Brakes.....	Mechanical	

PERFORMANCE

Maximum gradability.....	(percent)	
Turning radius.....	(ft)	8
Fording depth.....	(in.)	
Fuel consumption, average conditions.....	(miles per gal)	
Cruising range, average conditions.....	(miles)	55
Maximum allowable speed.....	(mph)	
Number of speeds forward.....		5

ENGINE

Manufacturer.....	IHC.....	Model T9
Type.....	In-line, 4 cycle.....	Number of cylinders
		4
Displacement.....	(cu in.)	353
Governed speed.....	(rpm)	
Brake horsepower.....		52
Ignition type.....	Magneto	

ADDITIONAL DATA

Maximum lifting capacity 4,000 pounds at 8-foot radius. Boom traverse 260°. Hoisting speed 71 feet per minute.

.....

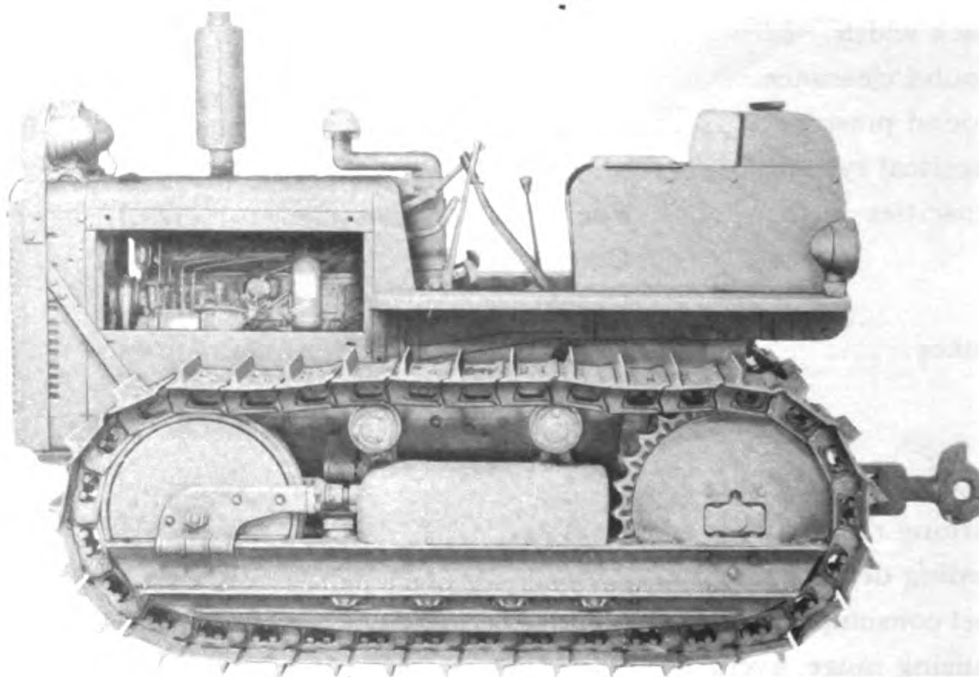
TM 9-2800

STANDARD MILITARY MOTOR VEHICLES
TRACTOR, LIGHT

Technical Manuals:

Parts Lists: SNL G-151 (CAT.)
SNL G- 99 (IHC)

Manufacturers: Caterpillar Tractor Co., Model D4; International Harvester Co., Model TD9

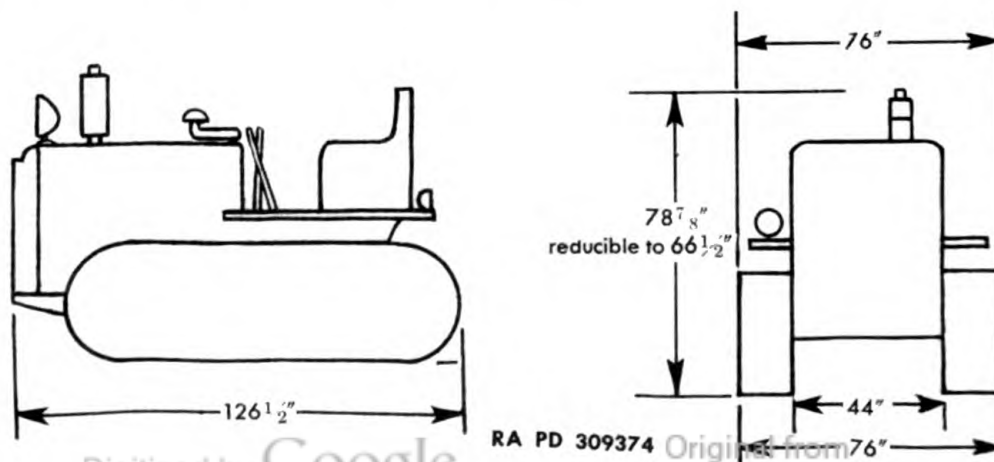


RA PD 66477

Vehicle illustrated above: International TD9

Classification: Standard

Purpose: To tow artillery over light terrain.



RA PD 309374 Original from 76"
340 UNIVERSITY OF CALIFORNIA

SECTION X—TRACTORS
TRACTOR, LIGHT

GENERAL DATA

Crew		1
Weight	Gross	(lb) 11,325
Shipping dimensions	(cu ft) 439	(sq ft) 67
Track width		(in.) 16
Ground clearance		(in.) 9 ⁵ / ₈
Ground pressure		(lbs per sq in.) 5.58
Electrical system		(volts) 6
Capacities	Fuel, 50 cetane Diesel fuel oil	(gal) 31
	Cooling system	(qt) 52
	Crankcase (refill)	(qt) 11
Brakes		Mechanical

PERFORMANCE

Maximum gradability	(percent)	58
Turning radius	(ft)	7 ¹ / ₄
Fording depth	(in.)	31
Angle of approach	(deg)	45
Angle of departure	(deg)	14
Fuel consumption, average conditions	(miles per gal)	3.3
Cruising range, average conditions	(miles)	51
Maximum allowable speed	(mph)	5.3

ENGINE

Manufacturer ..	IHC	Model TD9
Type	In-line, 4 cycle, Diesel	No. of cylinders 4
Displacement		(cu in.) 334.5
Governed speed		(rpm) 1,400
Brake horsepower		
Ignition type		Compression and magneto

ADDITIONAL DATA

Gasoline and magneto used for starting.

Gasoline tank capacity $\frac{2}{3}$ gal.

.....
.....
.....

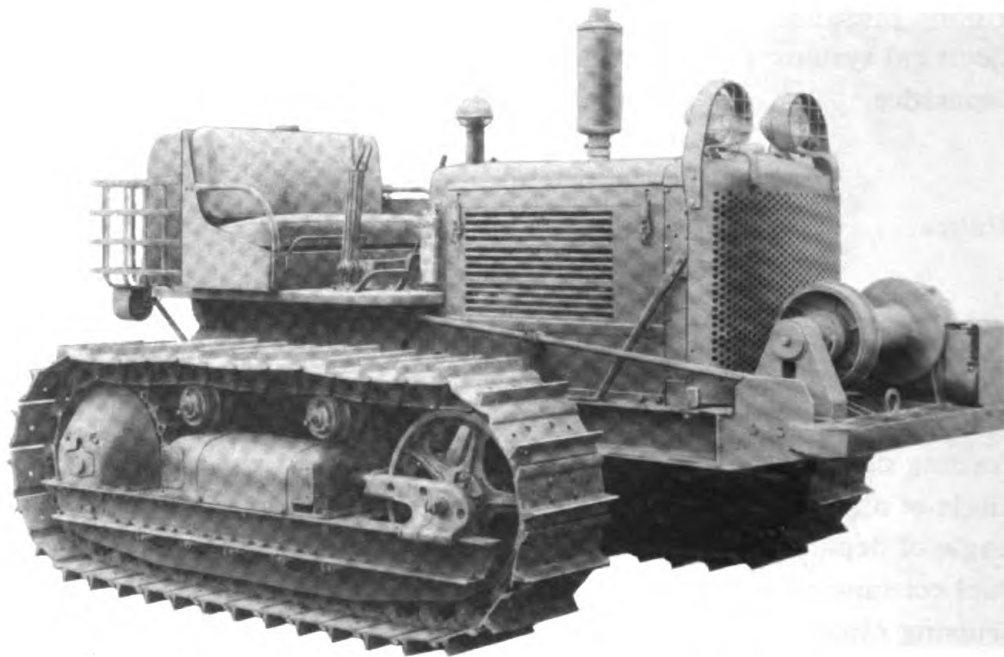
TM 9-2800

**STANDARD MILITARY MOTOR VEHICLES
TRACTOR, MEDIUM, M1**

Technical Manuals: Allis-Chalmers—TM 9-783B,
TM 9-1783A, TM 9-1783B, TM 9-1783C.

Parts Lists:
SNL G-132 (IHC)
SNL G-125 (A-C)
SNL G- 69 (Cat.)

Manufacturers: Allis-Chalmers Co., Model HD7W; Caterpillar Tractor
Co., Model D6; Cleveland Tractor Co.; International Harvester Co.
Model TD14

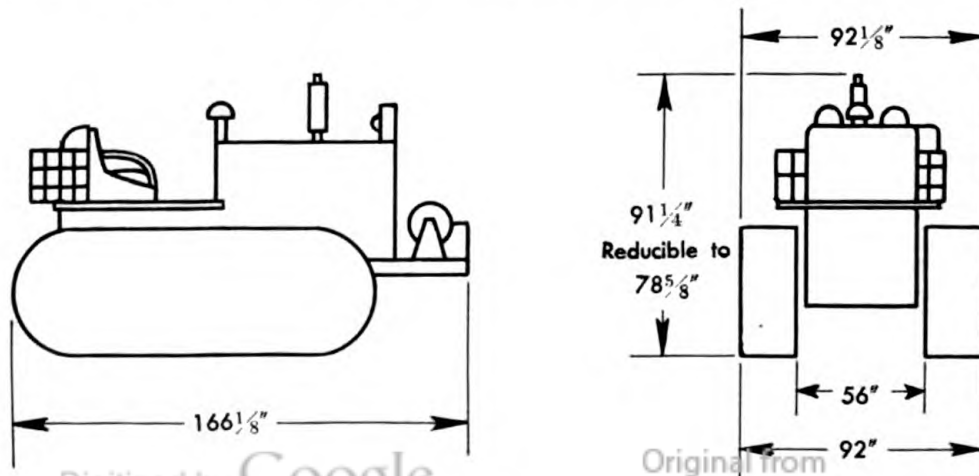


RA PD 66481

Vehicle illustrated above: International, Model TD14

Classification: Standard

Purpose: To tow artillery or equipment over rough terrain.



Digitized by Google

SECTION X—TRACTORS
TRACTOR, MEDIUM, M1

GENERAL DATA

Crew		1
Weight	Gross	(lb) 21,600
Shipping dimensions	(cu ft)	(sq ft) 106
Track width	(in.)	18
Ground clearance	(in.)	9 ³ / ₈
Ground pressure	(lbs per sq in.)	7.63
Electrical system	(volts)	6
Capacities	Fuel, 50 cetane Diesel fuel oil	(gal) 90
	Cooling system	(qt) 80
	Crankcase (refill)	(qt) 16
Brakes	Mechanical	

PERFORMANCE

Maximum gradability	(percent)	36
Turning radius	(ft)	9 ¹ / ₃
Fording depth	(in.)	38
Angle of approach	(deg)	29
Angle of departure	(deg)	10 ¹ / ₂
Fuel consumption, average conditions	(miles per gal)	2.75
Cruising range, average conditions	(miles)	180
Maximum allowable speed	(mph)	8 ¹ / ₂
Number of speeds forward		

ENGINE

Manufacturer: ..	IHC	Model TD14
Type	In-line, 4 cycle, Diesel	No. of cylinders 4
Displacement	(cu in.)	
Governed speed	(rpm)	1,350
Brake horsepower		
Ignition type	Compression and magneto	

ADDITIONAL DATA

Winch capacity	(lb)	25,000
Gasoline and magneto used for starting.		
Gasoline tank capacity 1 ¹ / ₂ gal.		

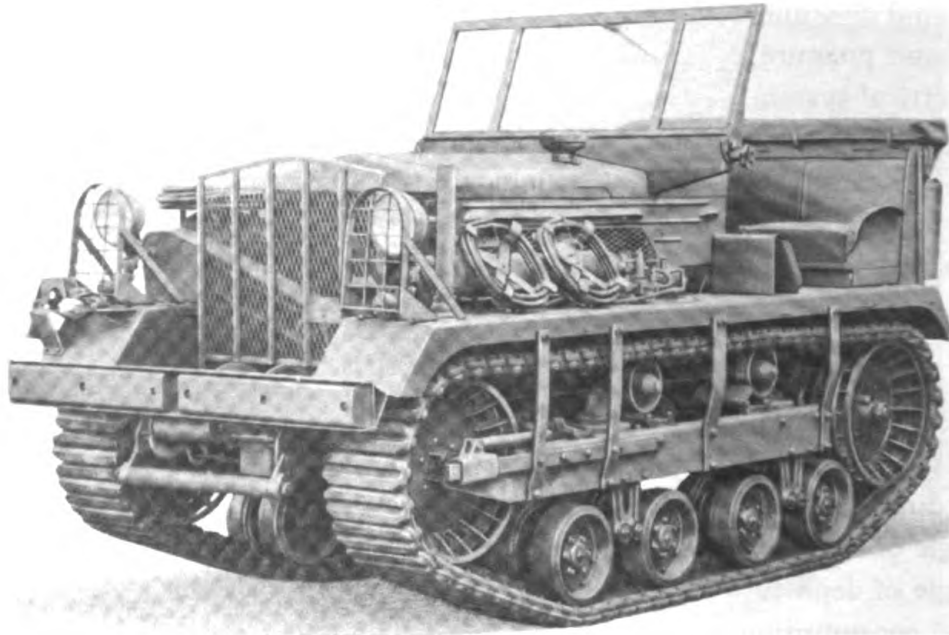
TM 9-2800

**STANDARD MILITARY MOTOR VEHICLES
TRACTOR, HIGH SPEED, 7-TON, M2**

Technical Manuals:

Parts List: SNL G-96

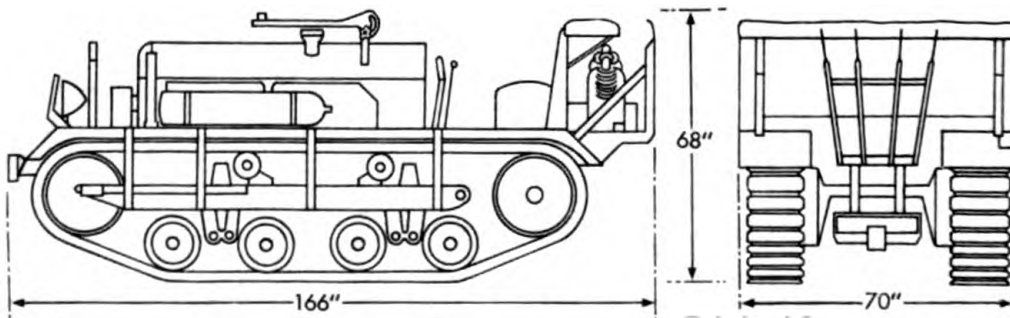
Manufacturer: Cletrac Tractor Co. (The Cleveland Tractor Co.)



RA PD 309092

Classification: Standard

Purpose: Used by Army Air Forces to tow equipment over rough terrain.



Digitized by Google

Original from
UNIVERSITY OF CALIFORNIA

SECTION X—TRACTORS
TRACTOR, HIGH SPEED, 7-TON, M2

GENERAL DATA

Crew		3
Weight	Net	(lb) 14,700
Shipping dimensions	(cu ft) 495	(sq ft) 79
Track width		(in.) 14
Tread, center to center		(in.) 52
Ground clearance		(in.) 19
Ground pressure		(lbs per sq in.) 7.9
Electrical system		(volts) 12
Capacities	Fuel, 70 octane gasoline	(gal) 33
	Cooling system	(qt) 37
	Crankcase (refill)	(qt) 11
Brakes		Mechanical

PERFORMANCE

Maximum gradability		(percent) 60
Turning radius		(ft) 10 ^{1/2}
Fording depth		(in.) 32
Maximum vertical obstacle vehicle will climb		(in.) 20
Fuel consumption, average conditions		(miles per gal) 3
Cruising range, average conditions		(miles) 100
Maximum allowable speed		(mph) 22
Number of speeds forward		4

ENGINE

Manufacturer	Hercules	WXLC3
Type	In-line, 4 cycle	Number of cylinders 6
Displacement		(cu in.) 404
Governed speed		(rpm) 2500 and 3280
Brake horsepower		150
Ignition type		Battery

ADDITIONAL DATA

Winch capacity

(lb) 10,000

Has auxiliary generator, 3KW, 110 volts, DC current, driven by V-belt from tractor engine. Has air compressor driven by tractor engine, 16.7 cubic feet per minute, three stage, 2,000 pounds per square inch. Compressor equipped with pressure outlets reducible to 100 pounds per square inch.

TM 9-2800

**STANDARD MILITARY MOTOR VEHICLES
TRACTOR, HIGH SPEED, 18-TON, M 4**

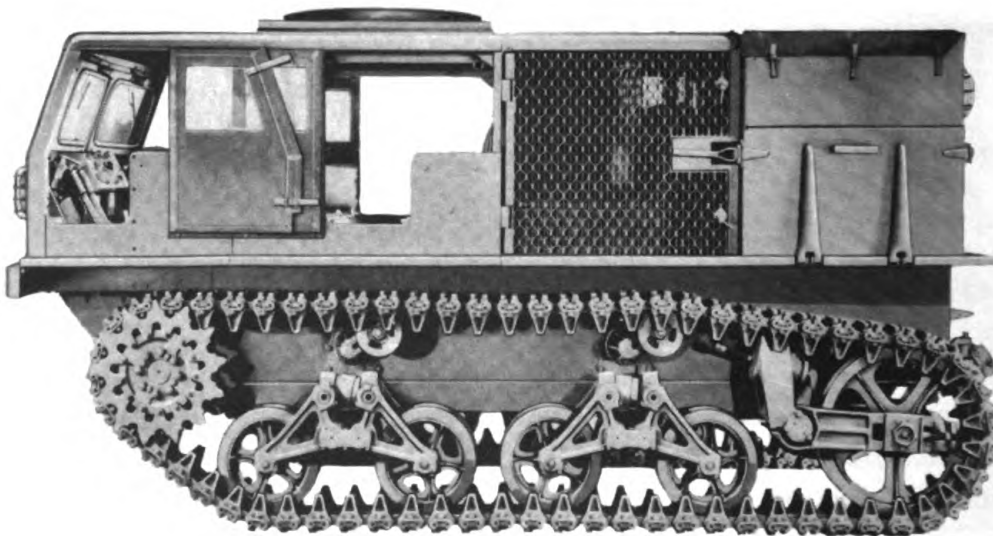
Technical Manuals: TM 9-785.

Parts List: SNL G-150

Manufacturer: Allis-Chalmers Co.

Armament: One Gun, machine, cal. .50, HB, M2 (flexible).

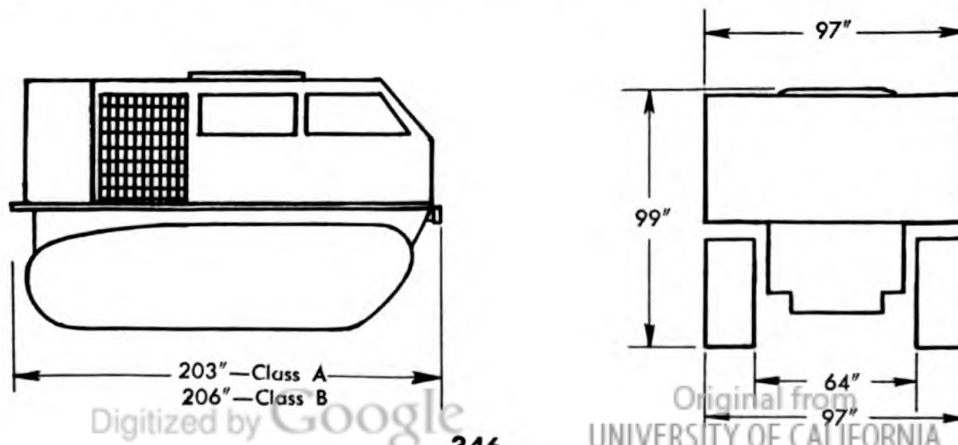
Ammunition: 54 rounds, 3-in., when towing 3-in. AA gun; 54 rounds, 90-mm, when towing 90-mm AA gun; 30 rounds, 155-mm, when towing 155-mm gun; 20 rounds, 8-in., when towing 8-in. howitzer; 12 rounds, 240-mm, when towing 240-mm howitzer; 500 rounds, cal. .50.



RA PD 66483

Classification: Standard

Purpose: To tow heavy artillery over rough terrain.



TM 9-2800

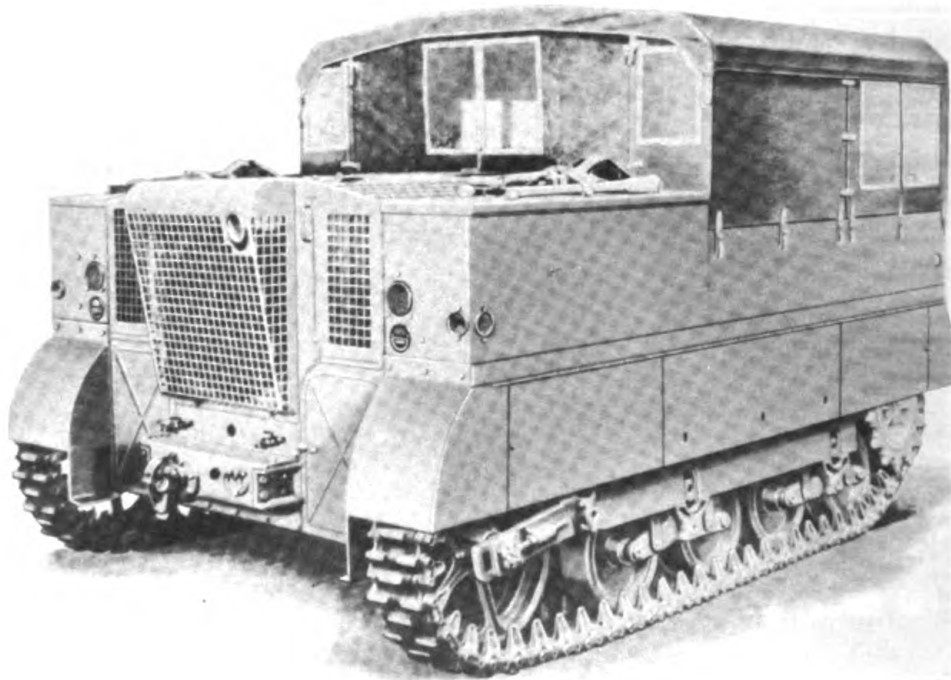
**STANDARD MILITARY MOTOR VEHICLES
TRACTOR, HIGH SPEED, 13-TON, M5**

Technical Manuals: TM 9-786.

Parts List: SNL G-162

Manufacturer: International Harvester Co.

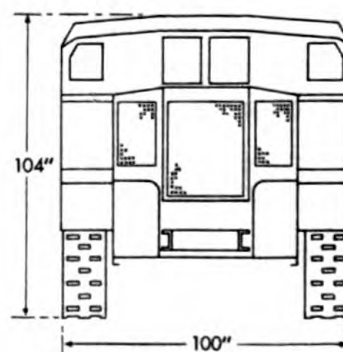
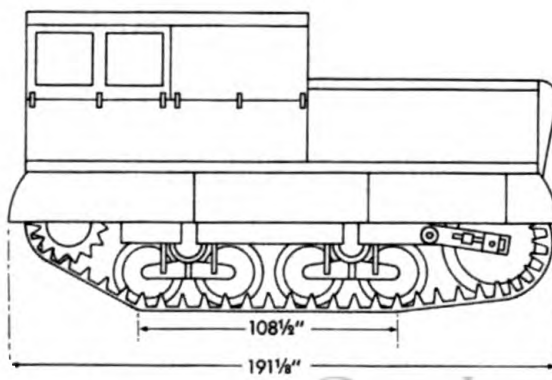
Ammunition: Carries 56 rounds, 105-mm; or 24 rounds, 155-mm; or
38 rounds, 4.5 in.



RA PD 309101

Classification: Standard

Purpose: To tow artillery over rough terrain.



Digitized by Google

Original from
UNIVERSITY OF CALIFORNIA

SECTION X—TRACTORS
TRACTOR, HIGH SPEED, 13-TON, M 5

GENERAL DATA

Crew		9
Weight	Payload	(lb) 5,000
	Gross (with crew)	(lb) 28,000
Shipping dimensions	(cu ft)	(sq ft)
Track width		(in.) 11 ⁵ / ₈
Ground clearance		(in.) 19 ³ / ₄
Ground pressure	(idler on ground)	(lb per sq in.) 11.1
Electrical system		(volts) 12
Capacities	Fuel, 70 octane gasoline	(gal) 100
	Cooling system	(qt)
	Crankcase (refill)	(qt)
Brakes		

PERFORMANCE

Maximum gradability	(percent)	
Turning radius	(ft)	18
Fording depth	(in.)	
Maximum vertical obstacle vehicle will climb	(in.)	
Angle of approach	(deg)	
Angle of departure	(deg)	
Fuel consumption, average conditions	(miles per gal)	
Cruising range, average conditions	(miles)	
Maximum allowable speed	(mph)	35
Number of speeds forward		4

ENGINE

Manufacturer	Continental	Model R6572	
Type	In-line, 4 cycle	Number of cylinders	6
Displacement		(cu in.)	572
Governed speed		(rpm)	2,900
Brake horsepower			235

ADDITIONAL DATA

.....

**STANDARD MILITARY MOTOR VEHICLES
TRACTOR, HEAVY, M1**

Technical Manual: TM 9-1773

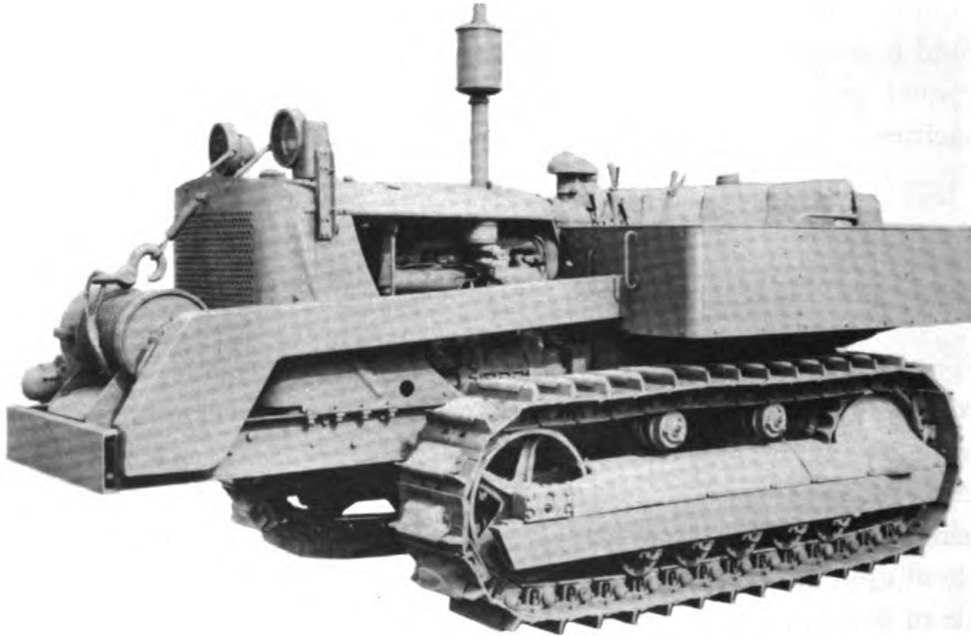
Parts List:

SNL G-98 (Allis-Chalmers)

SNL G-101 (IHC)

SNL G-126 (Caterpillar)

Manufacturers: Allis-Chalmers Co., Model HD10W; Caterpillar Tractor Co., Model D7; International Harvester Co., Model TD18

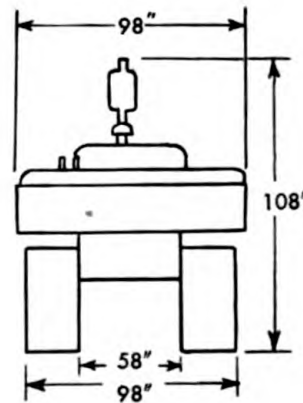
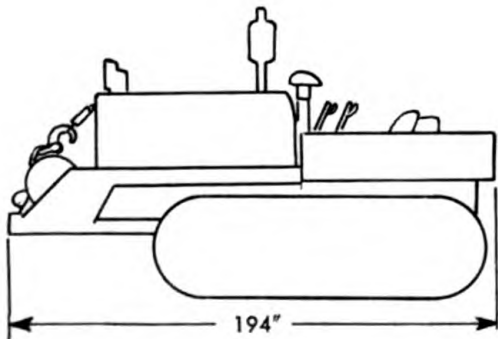


RA PD 66487

Vehicle illustrated above: Caterpillar Model D7

Classification: Standard

Purpose: To tow 155-mm gun.



SECTION X—TRACTORS
TRACTOR, HEAVY, M1

GENERAL DATA

Crew		4
Weight	Gross	(lb) 30,100
Shipping dimensions	(cu ft) 1,188	(sq ft) 132
Track width		(in.) 20
Ground clearance		(in.) 15 ¹ / ₂
Ground pressure		(lb per sq in.) 8.05
Electrical system		(volts) 6
Capacities	Fuel, 50 cetane Diesel fuel oil ..	(gal)
	Cooling system	(qt) 72
	Crankcase (refill)	(qt) 22
Brakes		Mechanical

PERFORMANCE

Maximum gradability		(percent) 62
Turning radius		(ft) 11 ¹ / ₄
Fording depth		(in.) 35
Angle of approach		(deg) 24
Angle of departure		(deg) 30
Fuel consumption, average conditions		
(w/ towed load)		(miles per gal) 1.4
(w/o towed load)		(miles per gal) 2.8
Cruising range, average conditions		(miles) 175
Maximum allowable speed		(mph) 11
Number of speeds forward		

ENGINE

Manufacturer ..	Caterpillar	Model D7
Type	In-line, 4 cycle, Diesel ..	Number of cylinders 4
Displacement		(cu in.) 831
Governed speed		(rpm) 1,050
Brake horsepower		80
Ignition type		Compression

ADDITIONAL DATA

Winch capacity	(with Hyster D7)	(lb) 40,000
----------------------	------------------------	-------------

TM 9-2800

**STANDARD MILITARY MOTOR VEHICLES
TRACTOR, HIGH SPEED, 38-TON, M6**

Technical Manuals:

Parts List: SNL G-184

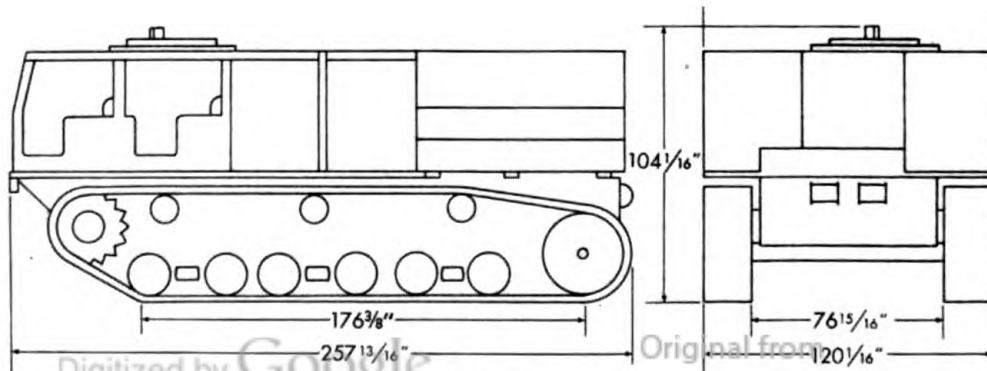
Manufacturer: Allis-Chalmers Mfg. Co.



RA PD 309112

Classification: Standard

Purpose: To tow heavy artillery over rough terrain.



Digitized by Google

SECTION X—TRACTORS
TRACTOR, HIGH SPEED, 38-TON, M6

GENERAL DATA

Crew, operating . . . 1	Passenger capacity, including crew	10
Weight	Net (lb)	60,000
	Payload (lb)	15,000
	Gross (lb)	75,000
Shipping dimensions	(cu ft) 1,935 (sq ft) 215	
Track width	(in.)	21 ⁹ / ₁₆
Ground clearance	(in.)	21 ¹ / ₂
Ground pressure, track	(lb per sq in.)	8
Electrical system	(volts)	12
Capacities	Fuel, 70 octane gasoline (gal)	300
	Cooling system (each) (qt)	72
	Crankcase (each) (refill) (qt)	20
	Transmission (qt)	84
	Final drive (each) (qt)	28
Brakes	Mechanical	

PERFORMANCE

Maximum gradability	(percent)	40
Turning radius	(ft)	14 ¹ / ₂
Fording depth	(in.)	54
Angle of approach	(deg)	35
Angle of departure	(deg)	35
Fuel consumption, average conditions	(miles per gal)	.5
Cruising range, average conditions	(miles)	150
Maximum allowable speed	(mph)	20.5
	1st 2nd or high gear	
Cruising speeds	6 20.5	

ENGINES (two)

Manufacturer	Waukesha	Model 145GZ	
Type	In-line, 4 cycle	Number of cylinders	6
Displacement, each		(cu in.)	815
Governed speed		(rpm)	2,100
Brake horsepower, each			215

ADDITIONAL DATA

Winch capacity	(lb)	60,000
Vehicle is equipped with torque converter.		

TM 9-2800

**STANDARD MILITARY MOTOR VEHICLES
AMBULANCE, 1/2-TON, 4 x 4**

Technical Manuals: TM 10-1179, TM 10-1153, Parts List: SNL G-505
TM 10-1123 (C1), TM 10-1209,
TM 10-1201 (C1), TM 10-1443.

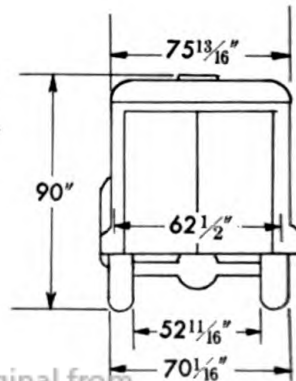
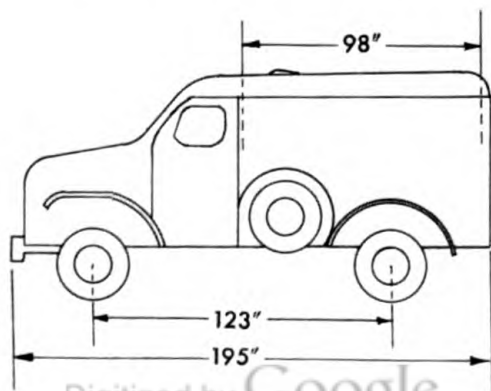
Manufacturer: Dodge Brothers Corp. (Div. of Chrysler Corp.)



RA PD 66313

Classification: Limited standard

Purpose: To transport sick and wounded personnel.



Original from
UNIVERSITY OF CALIFORNIA

SECTION XI—AMBULANCES
AMBULANCE, 1/2-TON, 4 x 4

GENERAL DATA

Crew		2
Weight	Net	(lb) 5640
	Payload	(lb) 1000
	Gross	(lb) 6640
Shipping dimensions	(cu ft) 770	(sq ft) 103
Tires	Ply...6	Size...7.50 x 16
Tread, center to center (in.)	Front 59 ³ / ₈	Rear 61 ³ / ₈ "
Ground clearance		(in.) 9
Electrical system		(volts) 6
Capacities	Fuel, 70 octane gasoline	(gal) 25
	Cooling system	(qt) 17
	Crankcase (refill)	(qt) 5
Brakes		Hydraulic

PERFORMANCE

Maximum gradability	(percent)	58
Turning radius	(ft)	27
Fording depth	(in.)	32
Angle of approach	(deg)	62
Angle of departure	(deg)	30
Fuel consumption, average conditions	(miles per gal)	12
Cruising range, average conditions	(miles)	300
Maximum allowable speed	(mph)	55
Number of speeds forward		4

ENGINE

Manufacturer	Dodge	Models T207, T211, T215
Type	In-line, 4 cycle	Number of cylinders 6
Displacement		(cu in.) 230.2
Governed speed		(rpm) 3100
Brake horsepower		
Ignition type		Battery

ADDITIONAL DATA

.....

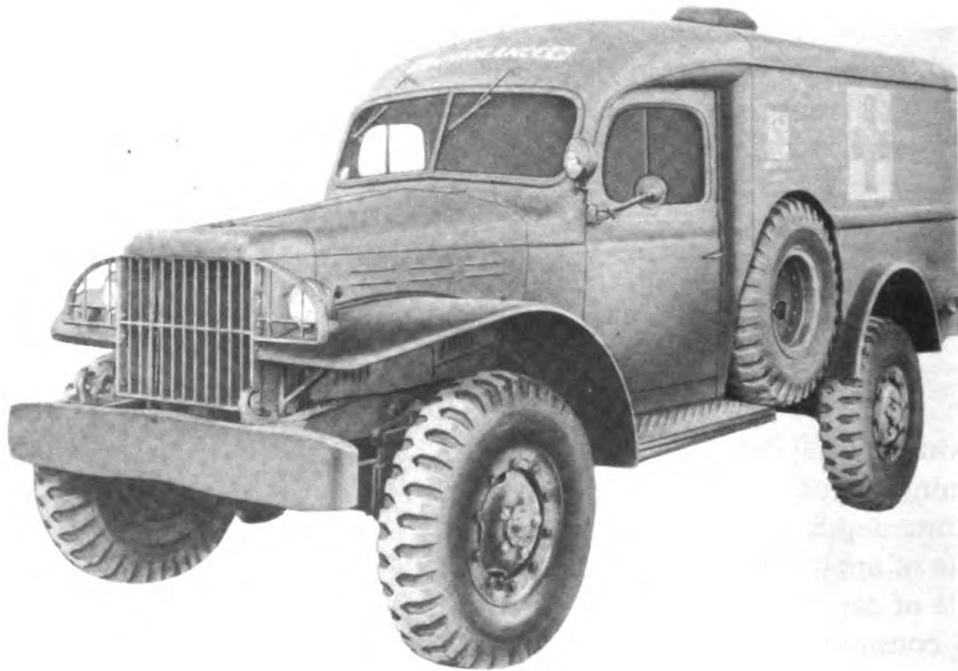
TM 9-2800

**STANDARD MILITARY MOTOR VEHICLES
AMBULANCE, ¾-TON, 4 x 4**

Technical Manuals: TM 10-1531.

Parts List: SNL G-502

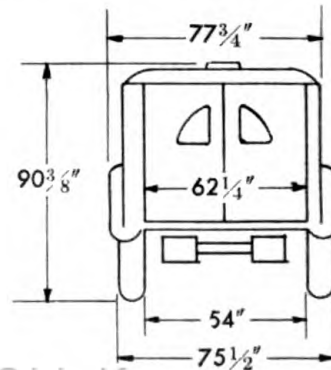
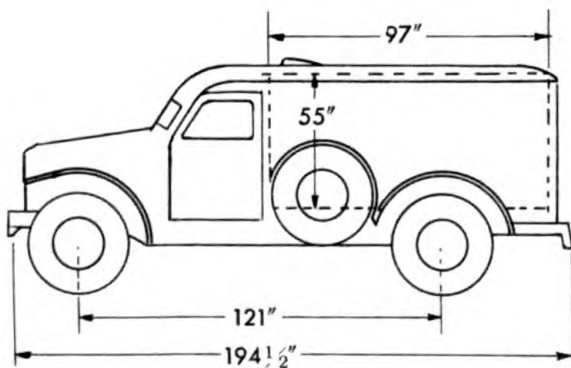
Manufacturer: Dodge Brothers Corp. (Div. of Chrysler Corp.)



RA PD 66315

Classification: Standard

Purpose: To transport sick and wounded personnel.



SECTION XI—AMBULANCES
AMBULANCE, ¾-TON, 4 x 4

GENERAL DATA

Crew.....		2
Weight.....	Net.....(lb)	5,920
	Payload.....(lb)	1,800
	Gross.....(lb)	7,720
Shipping dimensions.....	(cu ft) 790.....(sq ft) 105	
Tires.....	Ply... 8.....Size... 9.00 x 16	
Tread, center to center.....	(in.)	64 ³ / ₄
Ground clearance.....	(in.)	10 ⁵ / ₈
Electrical system.....	(volts)	6
Capacities.....	Fuel, 72 octane gasoline.....(gal)	30
	Cooling system.....(qt)	8
	Crankcase (refill).....(qt)	5
Brakes.....	Hydraulic	

PERFORMANCE

Maximum gradability.....	(percent)	54
Turning radius (ft).....	Right 24.....Left 26	
Fording depth.....	(in.)	34
Angle of approach.....	(deg)	53
Angle of departure.....	(deg)	24
Fuel consumption, average conditions.....	(miles per gal)	8
Cruising range, average conditions.....	(miles)	240
Maximum allowable speed.....	(mph)	54
Number of speeds forward.....		4

ENGINE

Manufacturer.....	Dodge.....	Model T214
Type.....	In-line, 4 cycle.....	Number of cylinders 6
Displacement.....	(cu in.)	230.2
Governed speed.....	(rpm)	3,200
Brake horsepower.....		76
Ignition type.....	Battery	

ADDITIONAL DATA

.....

IM 9-2800

STANDARD MILITARY MOTOR VEHICLES
AMBULANCE, METROPOLITAN, ¾-TON, 4 x 2

Technical Manuals:

Parts Lists: SNL G-549 (Packard)
SNL G-548 (Cadillac)

Manufacturers: Packard Motor Car Co.; Body by Henney

Cadillac Motor Car Div. (General Motors Corp.); Body
by Superior

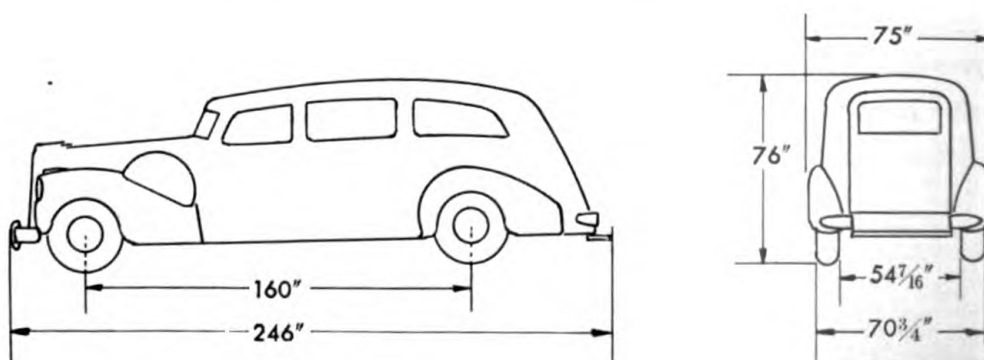


RA PD 308964

Vehicle illustrated above: Packard Motor Car Co.

Classification: Standard

Purpose: To transport sick and wounded personnel.



SECTION XI—AMBULANCES
AMBULANCE, METROPOLITAN, ¾-TON, 4 x 2

GENERAL DATA

Crew, operating..... 2.....	Passenger capacity, including crew	12
Weight.....	Net..... (lb)	5,125
	Payload..... (lb)	1,500
	Gross..... (lb)	6,625
Tires.....	Ply... 6..... Size... 7.50 x 16	
Ground clearance.....		(in.)
Electrical system.....		(volts) 6
Capacities.....	Fuel, 68 octane gasoline..... (gal)	20
	Cooling system..... (qt)	17
	Crankcase (refill)..... (qt)	6
Brakes.....	4-wheel..... Hydraulic	

PERFORMANCE

Turning radius (ft).....	Right 26..... Left 27	
Fuel consumption, average conditions.....	(miles per gal)	12
Cruising range, average conditions.....	(miles)	240
Maximum allowable speed.....	(mph)	50
Number of speeds forward.....		3

ENGINE

Manufacturer.....	Packard..... Model 2001-A	
Type.....	In-line, 4 cycle..... Number of cylinders	8
Displacement.....	(cu in.)	282
Governed speed.....	(rpm)	2,830
Brake horsepower.....		
Ignition type.....	Battery	

ADDITIONAL DATA

.....

.....

.....

.....

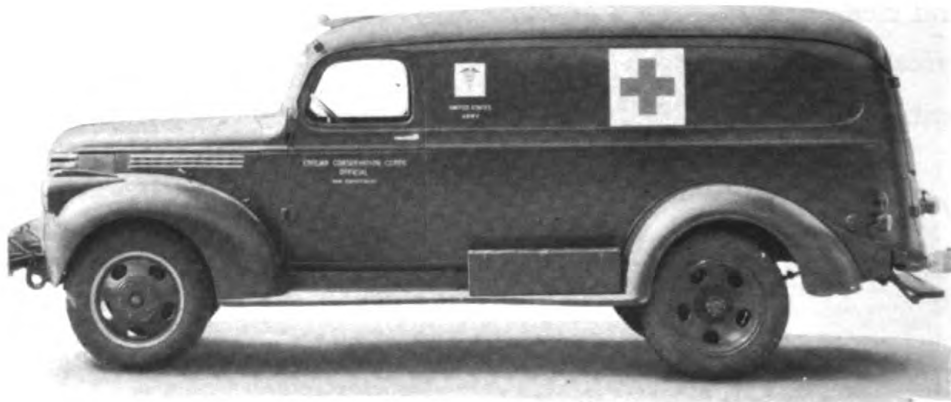
.....

TM 9-2800

**STANDARD MILITARY MOTOR VEHICLES
AMBULANCE, FIELD, 1½-TON, 4 x 2**

Technical Manuals: TM 10-1365, TM 10-1403. Parts List: SNL G-617

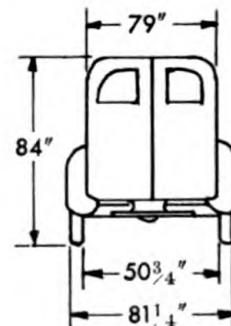
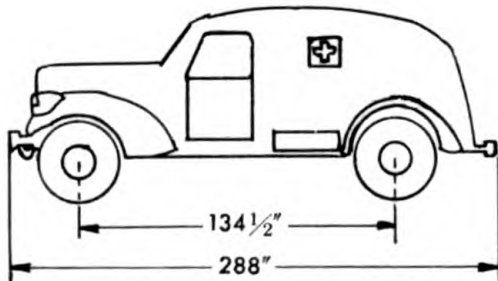
Manufacturer: Chevrolet Motor Division (General Motors Corp.)



RA PD 308965

Classification: Limited standard

Purpose: To transport sick and wounded personnel.



SECTION XI—AMBULANCES
AMBULANCE, FIELD, 1½-TON, 4 x 2

GENERAL DATA

Crew, operating 2	Passenger capacity, including crew	10
Weight	Net (lb)	5,485
	Payload (lb)	2,400
	Gross (lb)	7,885
Shipping dimensions	(cu ft) (sq ft)	
Tires	Ply . . . 6 Size . . . 6.50 x 20	
Tread, center to center (in.)	Front 59 ¹⁵ / ₁₆ Rear 66	
Ground clearance	(in.)	8 ⁷ / ₈
Electrical system	(volts)	6
Capacities	Fuel, 68 octane gasoline (gal)	18
	Cooling system (qt)	16
	Crankcase (refill) (qt)	6
Brakes	4 wheel Hydraulic	

PERFORMANCE

Turning radius (ft)	Right 25 Left 26	
Fuel consumption, average conditions	(miles per gal)	8
Cruising range, average conditions	(miles)	150
Maximum allowable speed	(mph)	45
Number of speeds forward		4

ENGINE

Manufacturer	Chevrolet Model BQ-1001 up	
Type	In-line, 4 cycle Number of cylinders	6
Displacement	(cu in.)	216.5
Governed speed	(rpm)	2,860
Brake horsepower		
Ignition type	Battery	

ADDITIONAL DATA

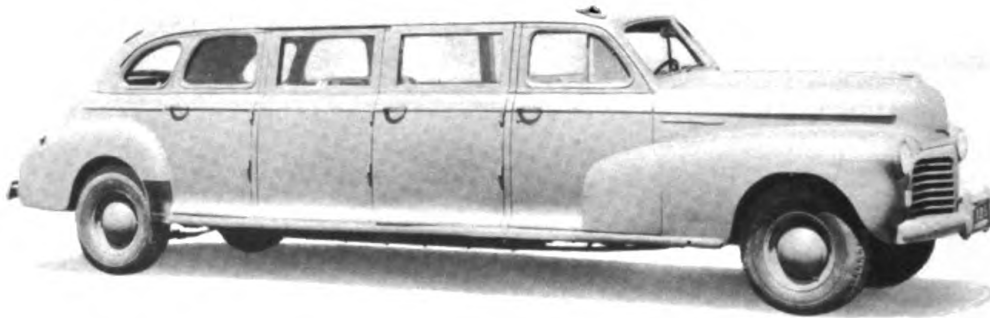
.....

STANDARD MILITARY MOTOR VEHICLES
BUS, SEDAN, CONVERTED, 15-PASSENGER, 4 x 2

Technical Manuals:

Parts List: SNL G-520

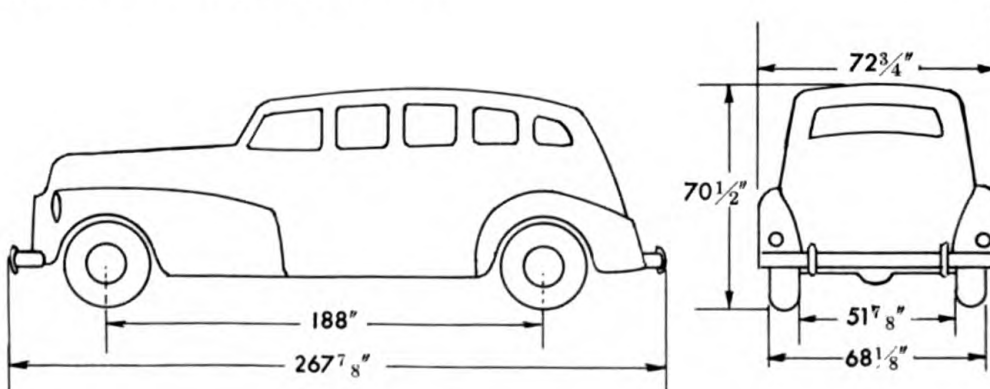
Manufacturers—Chassis: Chevrolet Motor Division (General Motors Corp.)—Body by various manufacturers.



RA PD 308962

Classification: Substitute standard

Purpose: To transport personnel.



SECTION XII—BUSSES
BUS, SEDAN, CONVERTED, 15-PASSENGER, 4 x 2

GENERAL DATA

Crew, operating.....1.....	Passenger capacity, including crew	16
Weight.....	Net.....(lb)	4,950
	Payload.....(lb)	2,250
	Gross.....(lb)	7,200
Shipping dimensions.....	(cu ft).....(sq ft)	
Tires.....	Ply...6.....Size...7.50 x 16	
Tread, center to center (in.)	Front 57 ⁵ / ₈Rear 60	
Ground clearance.....	(in.)	8 ³ / ₄
Electrical system.....	(volts)	6
Capacities.....	Fuel, 70 octane gasoline.....(gal)	16
	Cooling system.....(qt)	15
	Crankcase (refill).....(qt)	5
Brakes.....	4-wheel.....Hydraulic	

PERFORMANCE

Turning radius (ft).....	Right 21 ¹ / ₂Left 20 ¹ / ₂	
Angle of approach.....	(deg)	
Angle of departure.....	(deg)	
Fuel consumption, average conditions.....	(miles per gal)	15
Cruising range, average conditions.....	(miles)	240
Maximum allowable speed.....	(mph)	35
Number of speeds forward.....		3

ENGINE

Manufacturer.....	Chevrolet.....Model 1942	
Type.....	In-line, 4 cycle.....Number of cylinders	6
Displacement.....	(cu in.)	216.5
Governed speed.....		1667
Brake horsepower.....		90
Ignition type.....	Battery	

ADDITIONAL DATA

.....

TM 9-2800

**STANDARD MILITARY MOTOR VEHICLES
BUS, PASSENGER, 25-PASSENGER**

Technical Manuals: TM 10-1389

Parts List:

Manufacturers: Available Truck Co.; Ford Motor Company.

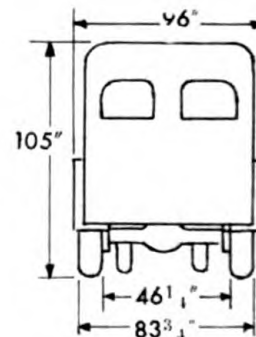
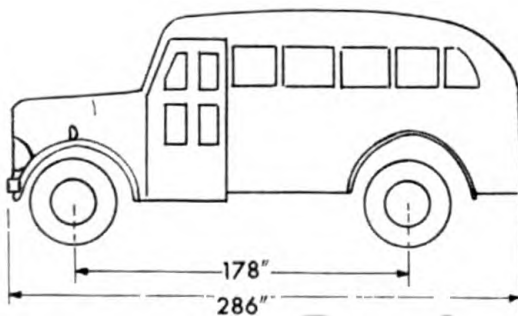


RA PD 308960

Vehicle illustrated above: Available Truck Co.

Classification: Standard

Purpose: To transport personnel.



SECTION XII—BUSSES
BUS, PASSENGER, 25-PASSENGER

GENERAL DATA

Crew, operating 1	Passenger capacity, including crew	26
Weight	Net (lb)	9,100
	Payload (lb)	4,000
	Gross (lb)	13,100
Shipping dimensions (cu ft) (sq ft)	
Tires	Ply . . . 8 Size . . . 7.50 x 20	
Tread, center to center (in.)	Front 69 Rear 65	
Ground clearance	(in.)	10 $\frac{1}{16}$
Electrical system	(volts)	6
Capacities	Fuel, 68 octane gasoline (gal)	34
	Cooling system (qt)	18
	Crankcase (refill) (qt)	8
Brakes	4-wheel Hydraulic (Lockheed)	

PERFORMANCE

Turning radius (ft)	Right 30 Left 31	
Angle of approach	(deg)	
Angle of departure	(deg)	
Fuel consumption, average conditions	(miles per gal)	6
Cruising range, average conditions	(miles)	204
Maximum allowable speed	(mph)	35
Number of speeds forward		4

ENGINE

Manufacturer	Waukesha Model 6-BM	
Type	In-line, 4 cycle Number of cylinders	6
Displacement	(cu in.)	263
Governed speed	(rpm)	2,310
Brake horsepower		
Ignition type	Battery	

ADDITIONAL DATA

.....

Generated on 2013-05-08 15:50 GMT / http://hdl.handle.net/2027/uc1.b3244022
 Public Domain, Google-digitized / http://www.hathitrust.org/access_use#pd-google

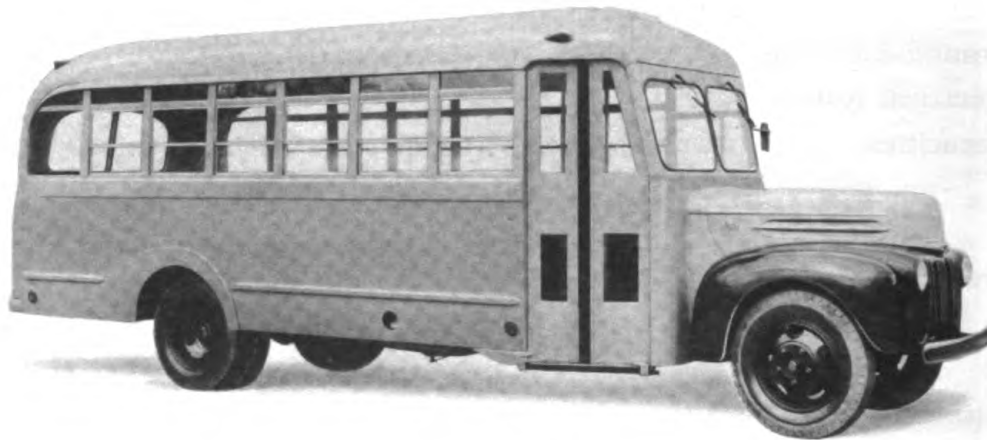
TM 9-2800

**STANDARD MILITARY MOTOR VEHICLES
BUS, COMMERCIAL TYPE, 20-29 PASSENGER, 1½-TON,
4 x 2**

Technical Manuals:

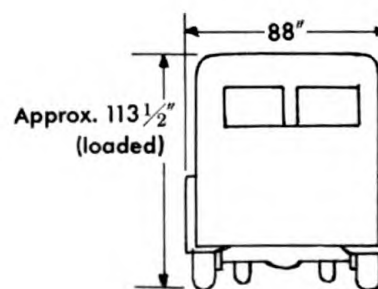
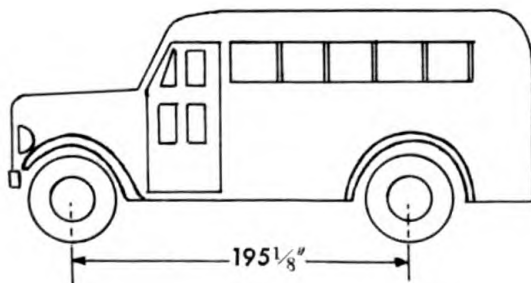
Parts List: SNL G-540

Manufacturers: Various



RA PD 308910

**Vehicle illustrated above: Ford
Classification: Substitute standard
Purpose: To transport personnel.**



SECTION XII—BUSES

**BUS, COMMERCIAL TYPE, 20-29 PASSENGER, 1½-TON,
4 x 2**

GENERAL DATA

Crew, operating.....1.....	Passenger capacity, including crew	30
Weight.....	Net.....(lb)	8,250
	Payload.....(lb)	4,500
	Gross.....(lb)	12,750
Shipping dimensions.....	(cu ft).....(sq ft)	
Tires.....	Ply... 8 or 10... Size... 7.50 x 20	
Tread, center to center (in.)	Front 58 ⁵ / ₈Rear 66	
Ground clearance.....	(in.)	9 ³ / ₄
Electrical system.....	(volts)	6
Capacities.....	Fuel, 68 octane gasoline.....(gal)	18
	Cooling system.....(qt)	14
	Crankcase (refill).....(qt)	5
Brakes.....	4-wheel.....Hydraulic	

PERFORMANCE

Turning radius (ft).....	Right 28.....Left 30	
Angle of approach.....	(deg)	
Angle of departure.....	(deg)	
Fuel consumption, average conditions.....	(miles per gal)	9
Cruising range, average conditions.....	(miles)	160
Maximum allowable speed.....	(mph)	35
Number of speeds forward.....		4

ENGINE

Manufacturer.....	Various.....Model—Will vary	
Type.....	Various.....Number of cylinders	6 & 8
Displacement.....	(cu in.)	232-239
Brake horsepower.....		
Ignition type.....	Battery	

ADDITIONAL DATA

All data given are approximate and will vary with
different manufacturers.

.....
.....
.....

Generated on 2013-05-08 15:49 GMT / http://hdl.handle.net/2027/uc1.b3244022
Public Domain, Google-digitized / http://www.hathitrust.org/access_use#pd-google

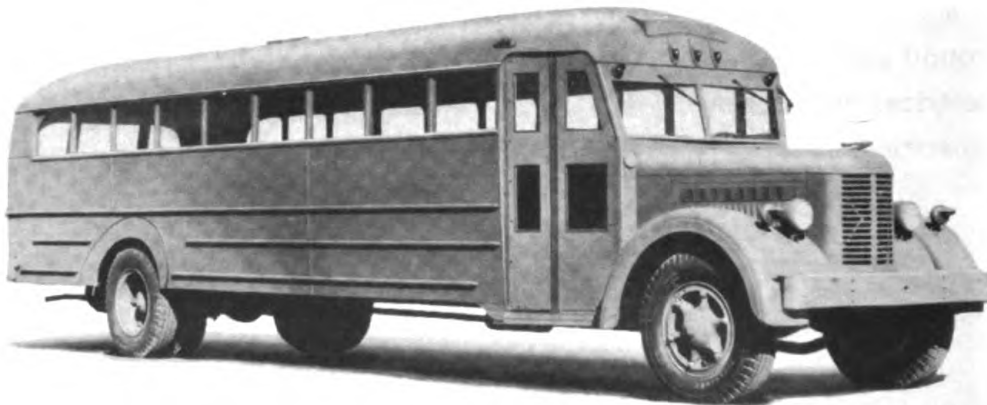
TM 9-2800

**STANDARD MILITARY MOTOR VEHICLES
BUS, 40-PASSENGER, 2½-TON, 4 x 2**

Technical Manual: TM 10-1389.

Parts List:

Manufacturers: Available Truck Co.; Diamond T Motor Car Co.;
Federal Motor Truck Co.

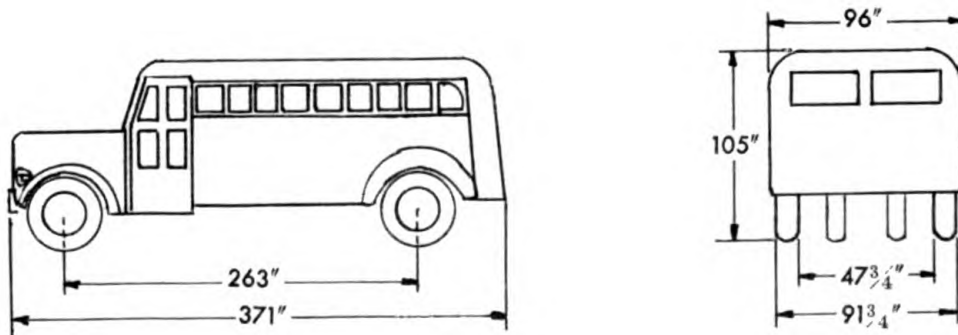


RA PD 308961

Vehicle illustrated above: Available Truck Co.

Classification: Limited standard

Purpose: To transport personnel.



Digitized by Google

SECTION XII—BUSSES
BUS, 40-PASSENGER, 2½-TON, 4 x 2

GENERAL DATA

Crew, operating 1	Passenger capacity, including crew	41
Weight	Net (lb)	13,260
	Payload (lb)	6,000
	Gross (lb)	19,260
Shipping dimensions (cu ft)	(sq ft)	
Tires Ply 10	Size 9.00 x 20	
Tread, center to center (in.)	Front 69	Rear 69 ³ / ₄
Ground clearance	(in.)	10 ¹⁵ / ₁₆
Electrical system	(volts)	6
Capacities	Fuel, 68 octane gasoline (gal)	34
	Cooling system (qt)	24
	Crankcase (refill) (qt)	8
Brakes	Timken-Westinghouse	Air

PERFORMANCE

Turning radius (ft)	Right 40	Left 41
Angle of approach	(deg)	
Angle of departure	(deg)	
Fuel consumption, average conditions	(miles per gal)	6
Cruising range, average conditions	(miles)	204
Maximum allowable speed	(mph)	35
Number of speeds forward		5

ENGINE

Manufacturer	Waukesha	Model 6-BZ
Type	In-line, 4 cycle	Number of cylinders 6
Displacement	(cu in.)	320
Governed speed	(rpm)	2,900
Brake horsepower		
Ignition type	Battery	

ADDITIONAL DATA

.....

.....

.....

.....

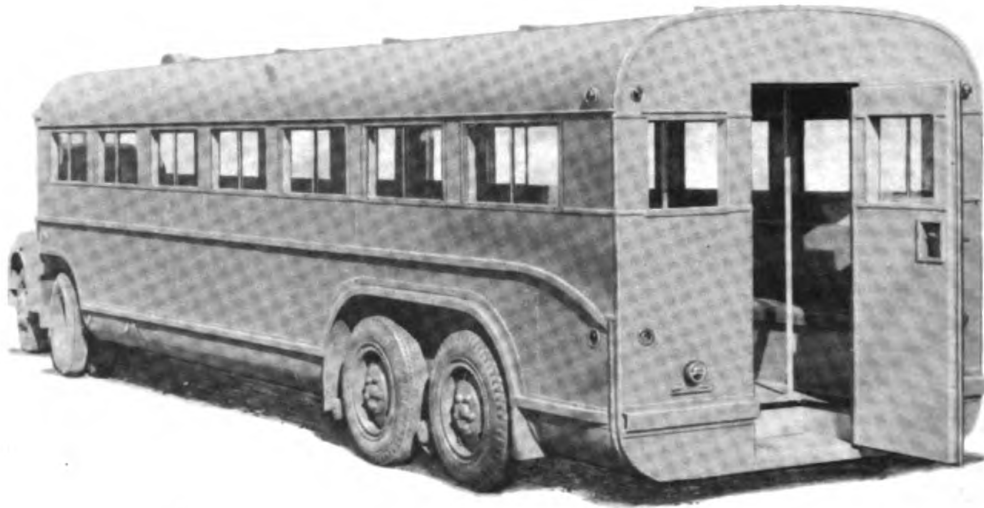
TM 9-2800

**STANDARD MILITARY MOTOR VEHICLES
BUS, SEMITRAILER, CONVERTED, 40-45 PASSENGER**

Technical Manuals:

Parts List:

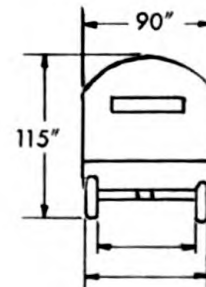
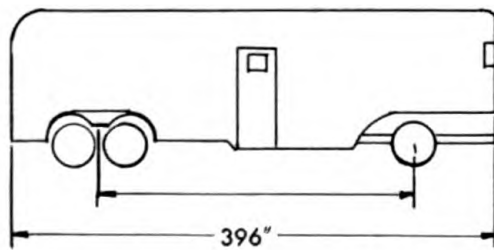
Manufacturers: Various



RA PD 308963

Classification: Substitute standard

Purpose: To transport personnel.



SECTION XII—BUSES
BUS, SEMITRAILER, CONVERTED, 40-45 PASSENGER

GENERAL DATA

Body type.....Bus*

Trailer Weight.....Net.....Approx. (lb) 12,000

Payload capacity.....45 passengers

Tread†.....

Tires.....Operating..... 4
 Size**.....

Brakes.....Air or vacuum

Towing tractor..Truck tractor, 1½-ton—2-ton commercial type

Ground clearance, under bed.....Varies, unit is very low

ADDITIONAL DATA

*These units were purchased as used new-car haulaway trailers, reconditioned and converted by cutting away part of the original superstructure and building a bus body on the remaining chassis.

†Treads vary.

**Tires were those on the vehicles at the time of purchase and varied in size from 7.00 x 20 to 8.25 x 20. Approximately 25 different contractors made these bus conversions.

.....

.....

.....

.....

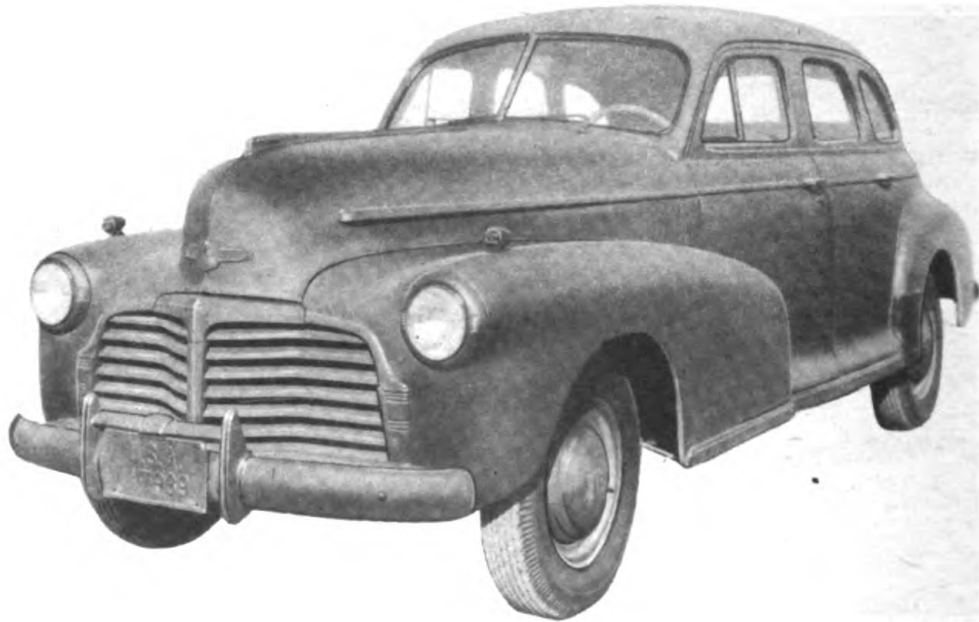
TM 9-2800

**STANDARD MILITARY MOTOR VEHICLES
CAR, LIGHT SEDAN, 5-PASSENGER, 4 x 2**

Technical Manuals: Chevrolet—
TM 10-1303, TM 10-1133.
Ford—TM 10-1375.
Plymouth—TM 10-1149, TM 10-1151.

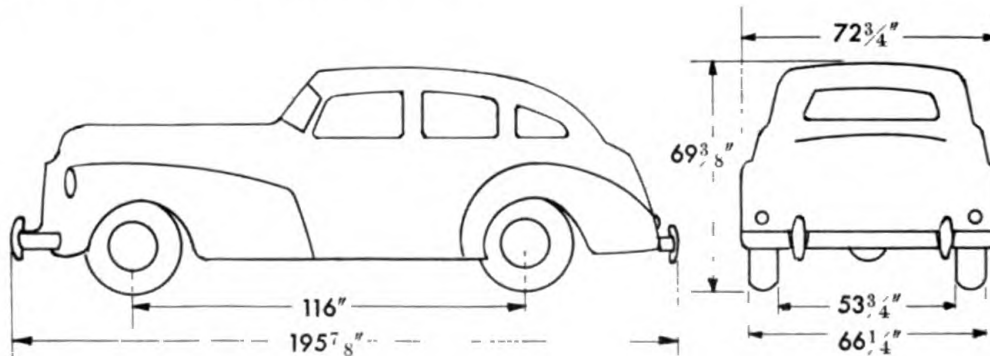
Parts Lists:
SNL G-520 (Chev.)
SNL G-521 (Plym.)
SNL G-522 (Ford)

Manufacturers: Chevrolet Motor Division (General Motors Corp.);
Ford Motor Co.; Plymouth Division, Chrysler Motor Corporation.



RA PD 66355

Vehicle illustrated above: Chevrolet
Classification: Standard
Purpose: To transport personnel.



SECTION XIII—PASSENGER CARS
CAR, LIGHT SEDAN, 5-PASSENGER, 4 x 2

GENERAL DATA

Crew, operating..... 2	Passenger capacity, including crew	5
Weight.....	Net..... (lb)	3,275
	Payload..... (lb)	800
	Gross..... (lb)	4,075
Shipping dimensions.....	(cu ft) 575..... (sq ft) 99	
Tires.....	Ply... 4..... Size... 6.00 x 16	
Tread, center to center (in.)	Front 57 ²¹ / ₃₂ Rear 60	
Ground clearance..... (in.)	7 ⁵ / ₈
Electrical system..... (volts)	6
Capacities.....	Fuel, 72 octane gasoline..... (gal)	16
	Cooling system..... (qt)	14
	Crankcase (refill)..... (qt)	6
Brakes.....	Hydraulic	

PERFORMANCE

Maximum gradability..... (percent)	38
Turning radius (ft).....	Right 20 ¹ / ₂ Left 19 ¹ / ₂	
Angle of approach..... (deg)	25
Angle of departure..... (deg)	15
Fuel consumption, average conditions..... (miles per gal)	14
Cruising range, average conditions..... (miles)	224
Maximum allowable speed..... (mph)	
Number of speeds forward.....		3

ENGINE

Manufacturer.....	Chevrolet.....	Model 1942—BA-1001	
Type.....	In-line, 4 cycle.....	Number of cylinders	6
Displacement..... (cu in.)		216.5
Governed speed.....	Not governed	
Brake horsepower.....		
Ignition type.....	Battery	

ADDITIONAL DATA

.....

TM 9-2800

STANDARD MILITARY MOTOR VEHICLES
CAR, MEDIUM SEDAN, 5-PASSENGER, 4 x 2

Technical Manuals:

Parts List: SNL G-644

Manufacturers: Buick Motors Division (General Motors Corp.); Packard Motor Car Co.

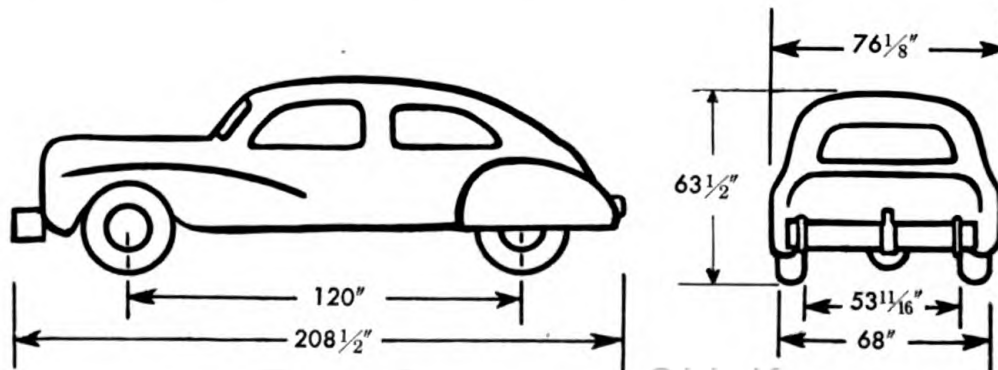


RA PD 66361

Vehicle illustrated above: Packard

Classification: Standard

Purpose: To provide transportation for staff officers.



SECTION XIII—PASSENGER CARS
CAR, MEDIUM SEDAN, 5-PASSENGER, 4 x 2

GENERAL DATA

Crew, operating 2	Passenger capacity, including crew	5
Weight	Net (lb)	3,700
	Payload (lb)	700
	Gross (lb)	4,400
Shipping dimensions	(cu ft) 583 (sq ft) 110	
Tires	Ply . . . 4 Size . . . 6.50 x 15	
Tread, center to center (in.)	Front Rear	
Ground clearance	(in.)	6 ¹¹ / ₁₆
Electrical system	(volts)	6
Capacities	Fuel, 70 octane gasoline (gal)	17
	Cooling system (qt)	17
	Crankcase (refill) (qt)	5 ¹ / ₂
Brakes	Hydraulic	

PERFORMANCE

Maximum gradability	(percent)	25
Turning radius	(ft)	21
Fording depth	(in.)	18 ³ / ₄
Angle of approach	(deg)	15
Angle of departure	(deg)	16
Fuel consumption, average conditions, with overdrive	(miles per gal)	20.9
Fuel consumption, average conditions, without overdrive	(miles per gal)	18.4
Cruising range, average conditions, with overdrive	(miles)	355
Cruising range, average conditions, without overdrive	(miles)	312
Maximum allowable speed	(mph)	90-95
Number of speeds forward		3

ENGINE

Manufacturer	Packard	Model 2001
Type	In-line, 4 cycle	Number of cylinders 8
Displacement	(cu in.)	282
Brake horsepower		
Ignition type	Battery	

ADDITIONAL DATA

.....

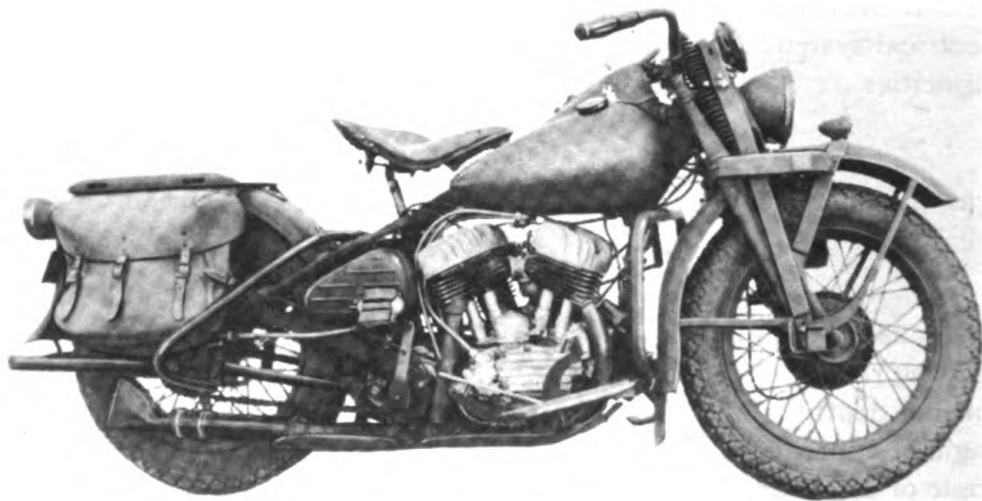
Generated on 2013-05-08 15:26 GMT / http://hdl.handle.net/2027/uc1.b3244022
 Public Domain, Google-digitized / http://www.hathitrust.org/access_use#pd-google

**STANDARD MILITARY MOTOR VEHICLES
MOTORCYCLE, SOLO**

**Technical Manuals: Harley-Davidson—
TM 10-1177, TM 10-1359, TM 10-1361,
TM 10-1175, TM 10-1331.
Indian—TM 10-1279.**

**Parts Lists:
SNL G-524 (Ind.)
SNL G-523 (H.-D.)**

**Manufacturers: Harley-Davidson Motor Co., Model WLA;
Indian Motorcycle Co., Model 640-B**

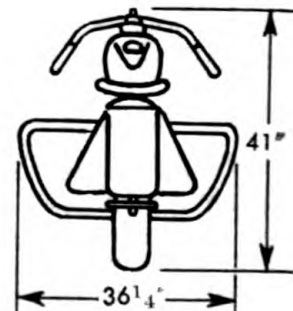
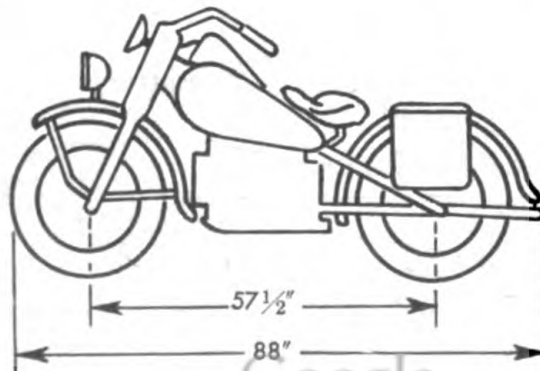


RA PD 66343

Vehicle shown above: Harley-Davidson, Model WLA

Classification: Standard

**Purpose: To provide transportation for personnel engaged in reconnais-
sance, messenger service and police operations.**



Digitized by Google

376

Original from
UNIVERSITY OF CALIFORNIA

SECTION XIV—MOTORCYCLES
MOTORCYCLE, SOLO

GENERAL DATA

		Indian 640B	H.-D. WLA
Weight.....	Net.....(lb)	537	535
	Payload.....(lb)	200	200
	Gross.....(lb)	737	735
Shipping dimensions.....	(sq ft)	20	16
	(cu ft)	78	54
Tires.....	Size.....	4.00 x 18	4.00 x 18
	Ply.....	4	4
Ground clearance.....	(in.)	5	4
Electrical system.....	(volts)	6	6
Capacities.....	Fuel, 70 octane gasoline..(gal)	3½	3⅓
	Crankcase (refill).....(qt)	3	4½
	Transmission.....(pt)	1	¾
	Cooling system.....	Air cooled	

PERFORMANCE

Maximum gradability.....	(percent)	60	60
Turning radius.....	Left.....(ft)	7¼	7½
	Right.....(ft)	7¼	7¼
Fording depth.....	(in.)	11	18
Fuel consumption, average conditions .	(miles per gal)	42	37
Cruising range, average conditions.....	(miles)	147	120
Maximum speed—not less than.....	(mph)	60	60
Number of speeds forward.....		3	3

ENGINE

Manufacturer.....	Indian.....	Model 640B	
	Harley-Davidson.....	Model WLA	
Type.....	42° "VEE", 4 cycle	No. of cylinders	2 2
Displacement.....		(cu in.)	45.44 45.12
Bore.....		(in.)	2⅞ 2¾
Stroke.....		(in.)	3½ 3⅓
Ignition type.....		Battery	

ADDITIONAL DATA

.....
.....
.....

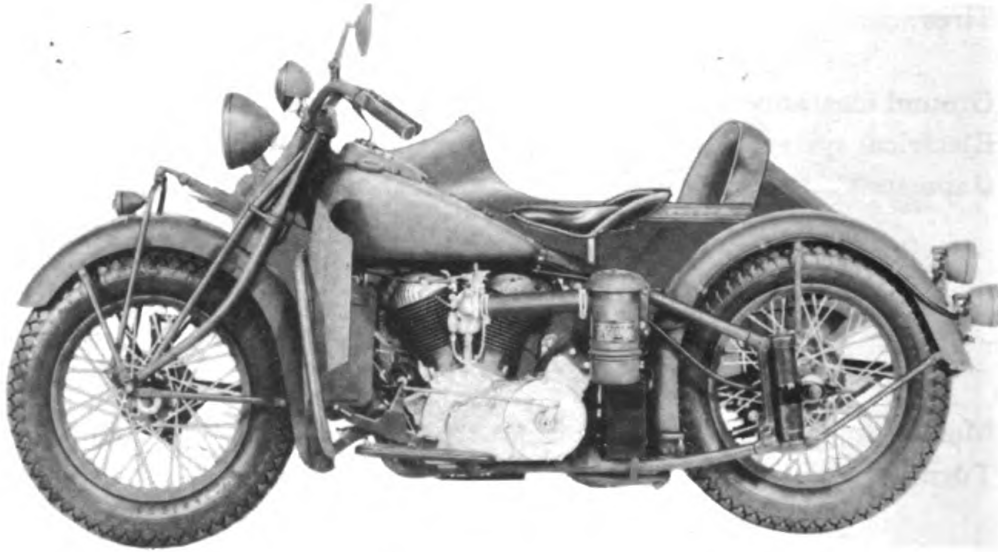
TM 9-2800

**STANDARD MILITARY MOTOR VEHICLES
MOTORCYCLE, W/SIDE CAR**

**Technical Manuals: Harley-Davidson—
TM 10-1175, TM 10-1177, TM 10-1331,
TM 10-1359, TM 10-1361.
Indian—TM 10-1283.**

**Parts Lists:
SNL G-524 (Ind.)
SNL G-523 (H.-D.)**

**Manufacturers: Harley-Davidson Motor Co. Model ELA
Indian Motorcycle Co. Model 340**

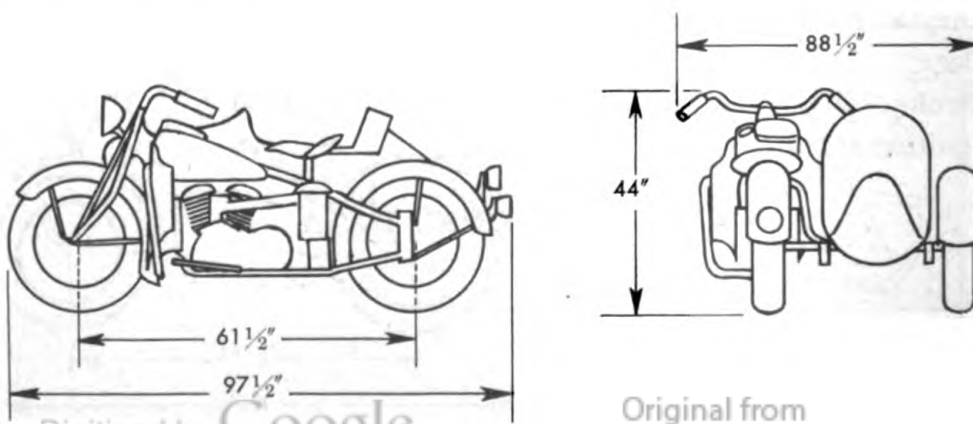


RA PD 66353

Vehicle illustrated above: Indian, Model 340.

Classification: Standard

Purpose: To provide transportation for personnel engaged in reconnaissance, messenger service and police operations.



Digitized by Google

**SECTION XIV—MOTORCYLES
MOTORCYCLE, W/SIDE CAR**

GENERAL DATA

		Indian	H. D.
		340	ELA
Weight	Net (lb)	845	850
	Payload (lb)	400	400
	Gross (lb)	1,245	1,250
Shipping dimensions	(sq ft)	60	45
	(cu ft)	219	157
Tires	Size	4.50 x 18	4.50 x 18
	Ply	4	4
Ground clearance (in.)		5 $\frac{1}{4}$	4 $\frac{1}{8}$
Electrical system (volts)		6	6
Capacities	Fuel, 70 octane gasoline . (gal)	3 $\frac{1}{2}$	4
	Crankcase (refill) (qt)	3	4
	Transmission (pt)	1	1 $\frac{1}{2}$
	Cooling system Air cooled		

PERFORMANCE

Maximum gradability (percent)		40	40
Turning radius	Left (ft)	9	7 $\frac{1}{2}$
	Right (ft)	9	7 $\frac{1}{2}$
Fording depth (in.)		15	15
Cruising range, average conditions (miles)		105	112
Maximum speed—not less than (mph)		55	55
Number of speeds forward		3	3
Fuel consumption, average conditions (miles per gal)		30	28

ENGINE

Manufacturer . . Indian	Model 340		
	Harley-Davidson	Model ELA	
Type 42° "VEE", 4 cycle	No. of cylinders	2	2
Displacement (cu in.)		73.625	60.32
Bore (in.)		3 $\frac{1}{4}$	3 $\frac{5}{16}$
Stroke (in.)		4 $\frac{7}{16}$	3 $\frac{1}{2}$
Ignition type	Battery		

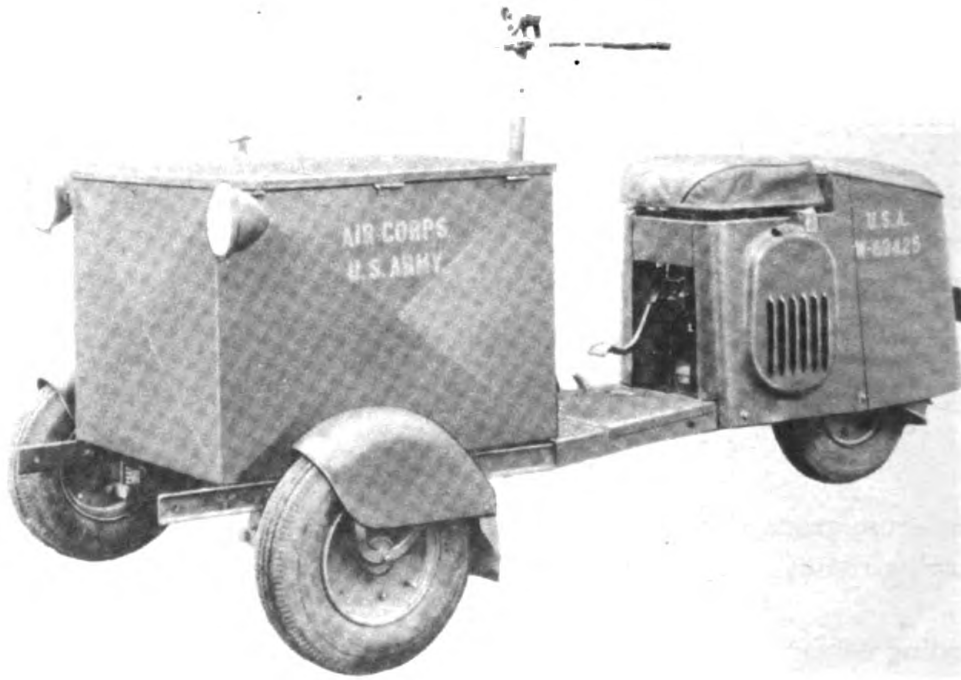
ADDITIONAL DATA

.....

Generated on 2013-05-08 15:23 GMT / http://hdl.handle.net/2027/uc1.b3244022
Public Domain, Google-digitized / http://www.hathitrust.org/access_use#pd-google

STANDARD MILITARY MOTOR VEHICLES
SCOOTER, MOTOR, W/PACKAGE CARRIER

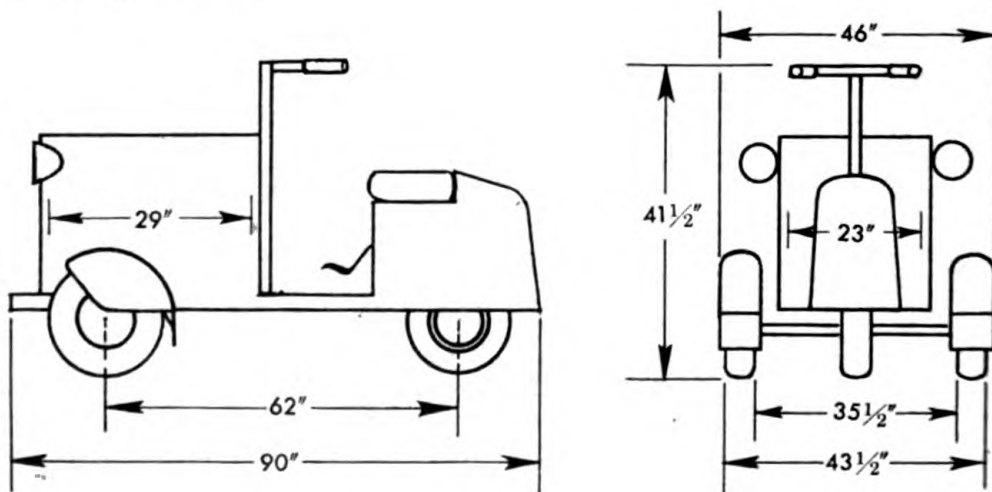
Technical Manuals: TM 10-1399, T.O. 19-1-70. Parts List: SNL G-551
Manufacturer: Cushman Motor Co. (Model 39)



RA PD 66690

Classification: Standard

Purpose: To provide transportation for stock chasing, light delivery and messenger service.



**SECTION XIV—MOTORCYCLES
SCOOTER, MOTOR, W/PACKAGE CARRIER**

GENERAL DATA

Crew.....		1
Weight.....	Net (not more than).....(lb)	420
	Payload (with driver).....(lb)	425
	Gross (not more than).....(lb)	845
Shipping dimensions.....	(cu ft) 102.....(sq ft) 30	
Tires.....	Ply... 4.....Size... 4.00 x 8	
Ground clearance.....	(in.)	4½
Electrical system.....	(volts)	6
Capacities.....	Fuel, 70 octane gasoline.....(gal)	1½
	Cooling system.....Air cooled	
	Crankcase (refill).....(qt)	1½
	Transmission.....(pt)	1½
Brakes.....	Mechanical	

PERFORMANCE

Maximum gradability.....	(with load).....(percent)	15
Turning radius.....	(ft)	17
Fuel consumption, average conditions, without load (miles per gal)		60
Cruising range, average conditions.....	(miles)	60
Maximum speed.....	(mph)	25

ENGINE

Manufacturer.....	Cushman.....	Model 10M70
Type.....	4 cycle.....	Number of cylinders 1
Displacement.....	(cu in.)	14.89
Bore.....	(in.)	2½
Stroke.....	(in.)	2¾
Brake horsepower.....		4

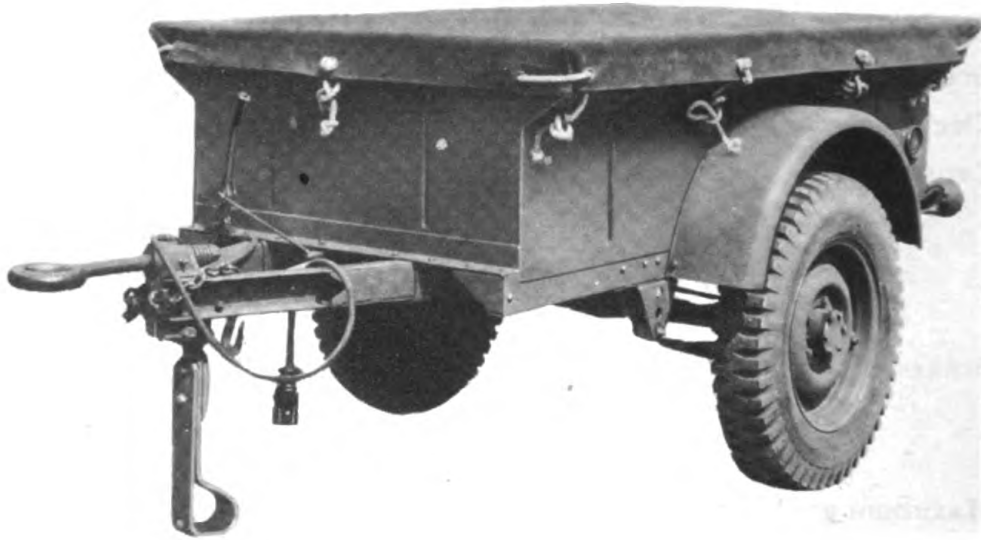
ADDITIONAL DATA

.....

**STANDARD MILITARY MOTOR VEHICLES
TRAILER, CARGO, AMPHIBIAN, 1/4-TON**

Technical Manuals: American Bantam, Parts List: SNL G-605
TM 10-1281. Willys-Overland, TM 10-1230.

Manufacturers: American Bantam Car Co.; Willys-Overland Motors,
Inc.

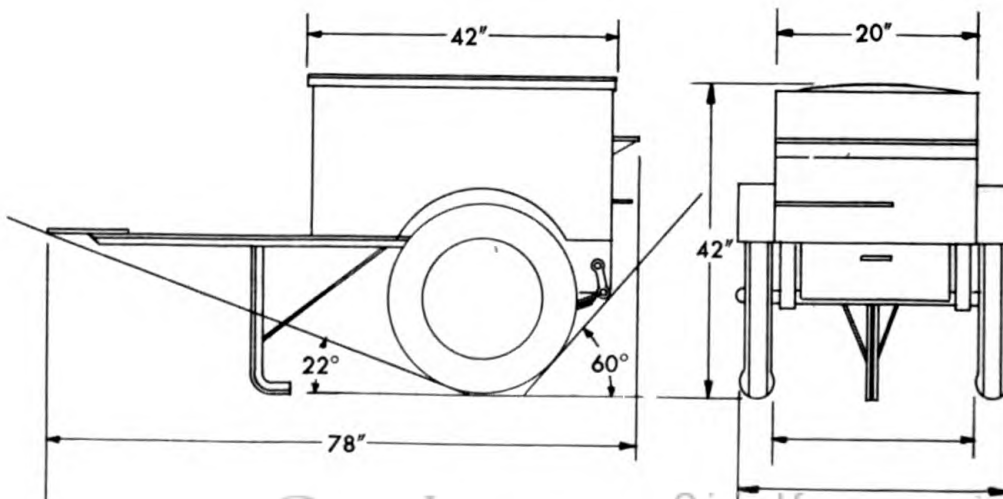


Vehicle illustrated above: Willys-Overland

RA PD 66501

Classification: Standard

Purpose: To transport general cargo on land or through water.



SECTION XV—TRAILERS
TRAILER, CARGO, AMPHIBIAN, ¼-TON

GENERAL DATA

Body type.....	Cargo	
Weight.....	Net.....(lb)	550
	Payload.....(lb)	500
	Gross.....(lb)	1050
Loading height.....	(in.)	22
Ground clearance.....	(in.)	12½
Tread.....	(in.)	49
Tires.....	Operating.....	2
	Ply.....	6
	Size.....	6.00 x 16
Brakes.....	Hand parking only	
Towing tractor.....	Truck, ¼-ton and ¾-ton, 4 x 4	
Shipping dimensions.....	(cu ft) 141.....(sq ft) 42	

ADDITIONAL DATA

Trailer will float with 500 pound load, with 6 inches freeboard.

.....

.....

.....

.....

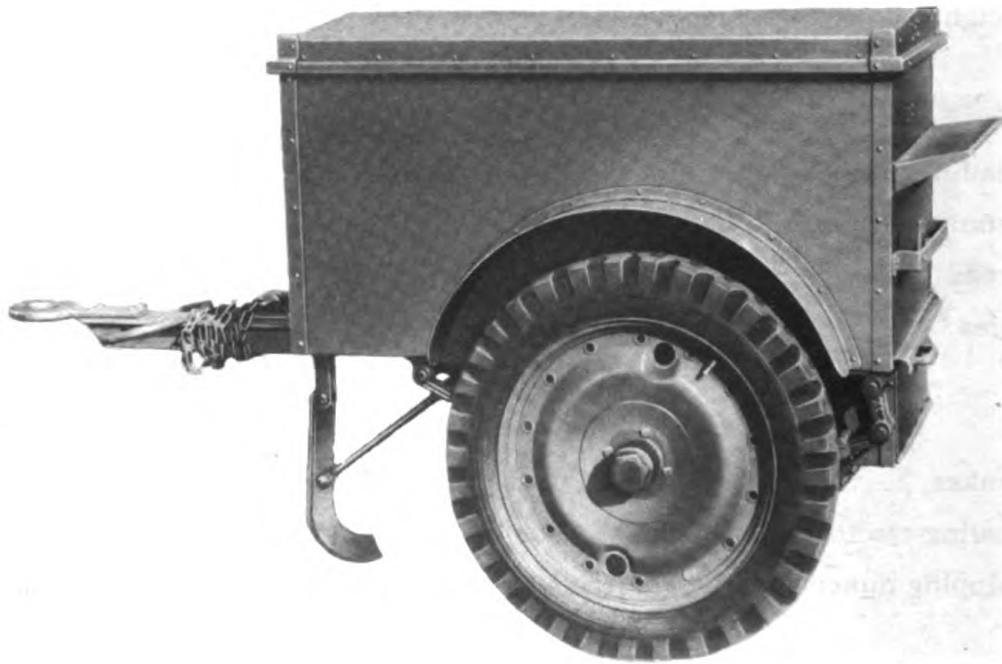
TM 9-2800

STANDARD MILITARY MOTOR VEHICLES
TRAILER, TELEPHONE CABLE SPLICER, 1/4-TON, K38

Technical Manuals:

Parts List:

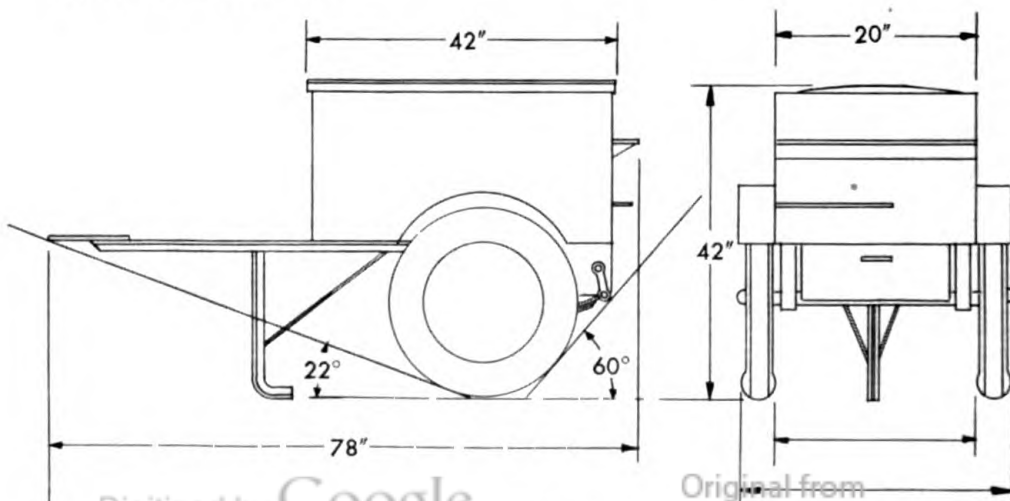
Manufacturer: York Hoover Body Corp.



RA PD 308941

Classification: Standard

Purpose: Used by Signal Corps to store and transport cable splicers tool equipment (TE-56).



SECTION XV—TRAILERS
TRAILER, TELEPHONE CABLE SPLICER, ¼-TON, K38

GENERAL DATA

Body type.....		
Weight.....	Net.....(lb)	410
	Payload.....(lb)	500
	Gross.....(lb)	910
Loading height.....	(in.)	
Ground clearance.....	(in.)	13
Tread.....	(in.)	33
Tires.....	Operating.....	2
	Ply.....	4
	Size.....	4.00 x 18
Brakes.....		
Towing tractor.....		
Shipping dimensions.....	(cu ft) 68.....(sq ft) 21	

ADDITIONAL DATA

.....

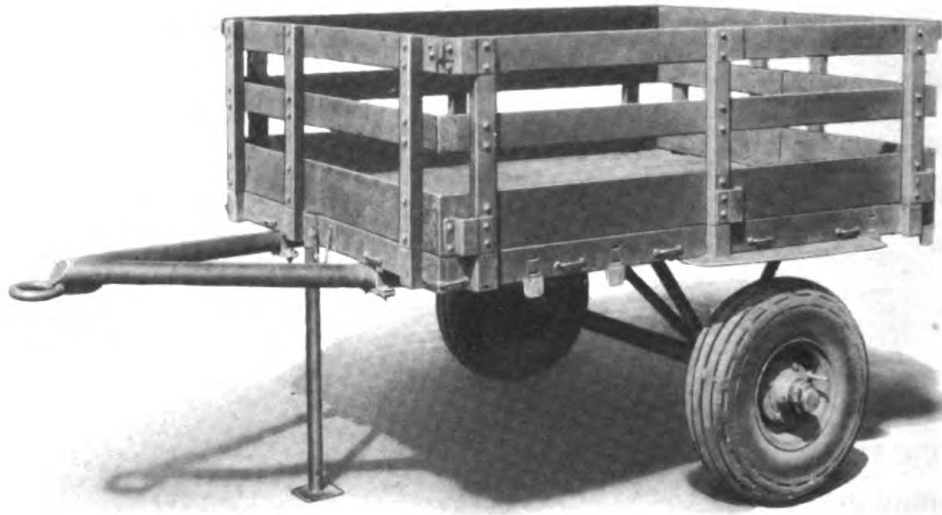
TM 9-2800

STANDARD MILITARY MOTOR VEHICLES
TRAILER, AIRDROME UTILITY, 1/2-TON, TYPE F-1

Technical Manuals:

Parts List:

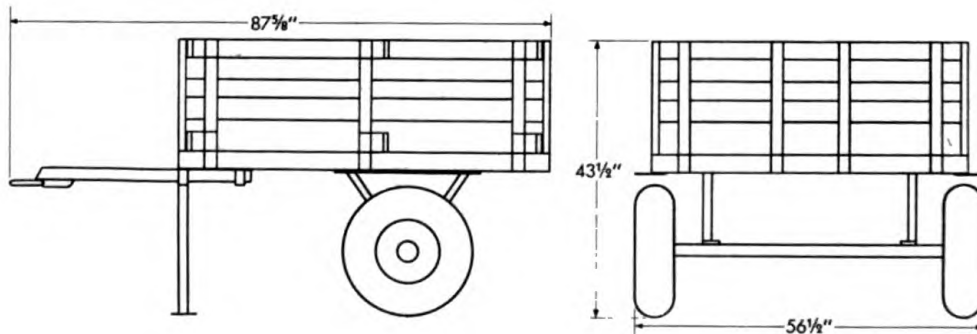
Manufacturer: Ohio Tubular Products Co.



RA PD 309057

Classification: Standard

Purpose: Used by Army Air Forces for general utility purposes.



SECTION XV—TRAILERS
TRAILER, AIRDROME UTILITY, 2½-TON, TYPE F-2

GENERAL DATA

Body type	Cargo	
Weight	Net(lb)	1,000
	Payload(lb)	5,000
	Gross(lb)	6,000
Loading height	(in.)	26
Ground clearance		
Tread		
Tires	Operating	4
	Ply	8
	Size	6.00 x 9
Brakes	None	
Towing tractor	Airdrome tractors and truck, 6-ton, 4 x 4	
Shipping dimensions	(cu ft) 80.....(sq ft)	
Weight, packed for export	(lb)	1,500

ADDITIONAL DATA

.....

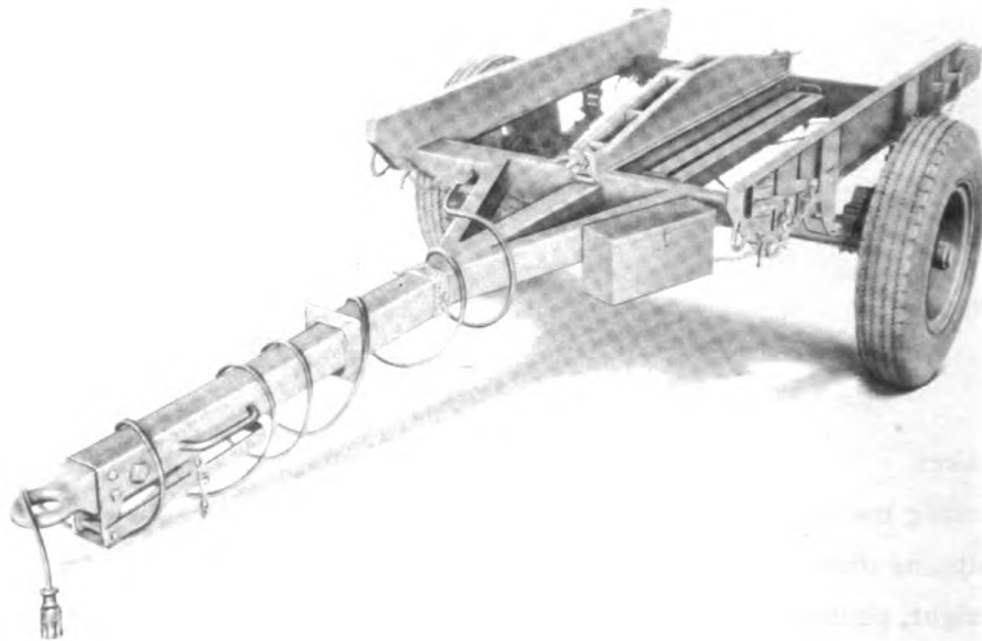
Generated on 2013-05-08 16:14 GMT / http://hdl.handle.net/2027/uc1.b3244022
 Public Domain, Google-digitized / http://www.hathitrust.org/access_use#pd-google

**STANDARD MILITARY MOTOR VEHICLES
TRAILER, UTILITY, POLE TYPE, 2½-TON**

Technical Manual: TM 5-9074.

Parts List:

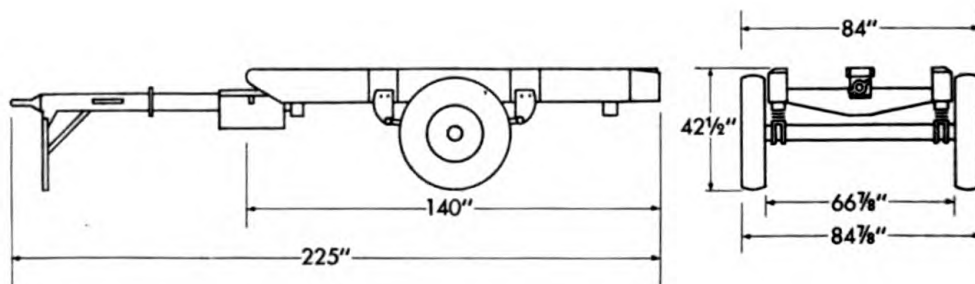
Manufacturer: Deere & Company (Dain Mfg. Div.)



RA PD 309014

Classification: Standard

Purpose: Used by Corps of Engineers to transport special equipment as shown in additional data.



SECTION XV—TRAILERS
TRAILER, UTILITY, POLE TYPE, 2½-TON

GENERAL DATA

Body type.....	*Basic trailer; includes load binding beams and chains.....		
Weight.....	Net.....	(lb)	2,460
	Payload.....	(lb)	5,000
	Gross.....	(lb)	7,460
Loading height.....		(in.)	42½
Ground clearance.....		(in.)	
Tread.....		(in.)	
Tires.....	Operating.....		2
	Ply.....		10
	Size.....		9.00 x 20
Brakes.....			None
Towing tractor.....	Truck, 2½-ton, 6 x 6 or 4-ton, 6 x 6		
Shipping dimensions.....	(cu ft)		(sq ft)

ADDITIONAL DATA

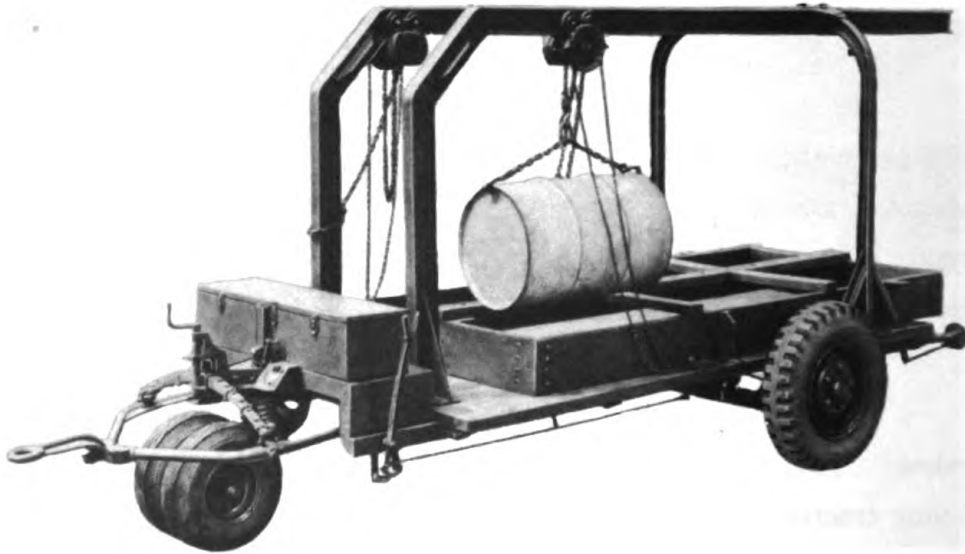
*The same basic vehicle, outfitted with different equipment, is used as the following vehicles: Type 1—Infantry support raft equipment or pneumatic bridge equipment trailer; Type 2—trestle bat load, 10-ton ponton bridge trailer (basic trailer plus extra load brackets); Type 3—triangulation tower trailer (basic trailer plus extra body); Type 4—utility power boat trailer (basic trailer plus extra bolsters); Type 5—storm boat trailer (basic trailer plus extra bolsters).

STANDARD MILITARY MOTOR VEHICLES
TRAILER, CHEMICAL SERVICE, 4-TON, M1
TRAILER, CHEMICAL HANDLING, 4-TON, M2

Technical Manuals:

Parts List:

Manufacturer: Saginaw Stamping & Tool Co.

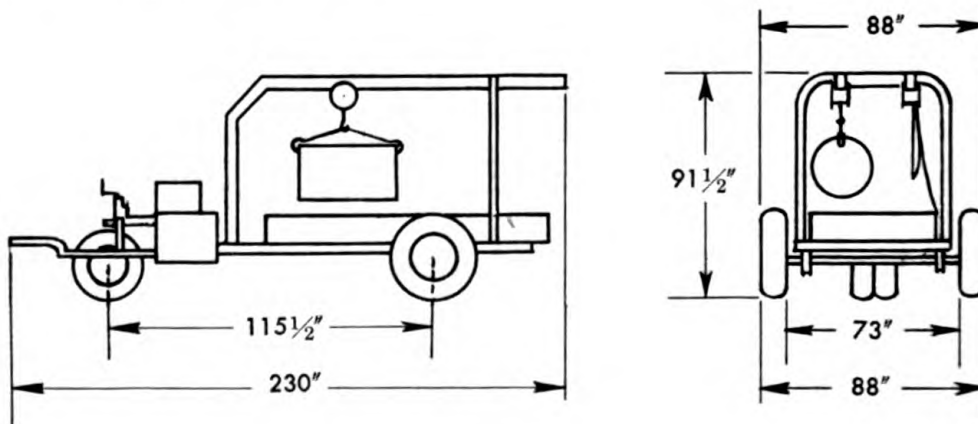


RA PD 66519

Vehicle illustrated above: Chemical service trailer M1.

Classification: Standard

Purpose: Used by Chemical Warfare Service to transport chemical containers and handling equipment.



SECTION XV—TRAILERS
TRAILER, CHEMICAL SERVICE, 4-TON, M1
TRAILER, CHEMICAL HANDLING, 4-TON, M2

GENERAL DATA

Body type		
Weight	Net(lb)	2,755
	Payload(lb)	5,000
	Gross(lb)	7,755
Loading height		
Ground clearance		
Tread	Front	Rear
Tires	Operating	4
	Ply, Front 6	Rear 8
	Size	Front 6.50 x 10
		Rear 7.50 x 18
Brakes		Electric
Towing tractor		
Shipping dimensions	(cu ft)1,064	(sq ft) 133

ADDITIONAL DATA

The basic trailer (bomb trailer M5), is used without superstructure as chemical handling trailer M2.

.....

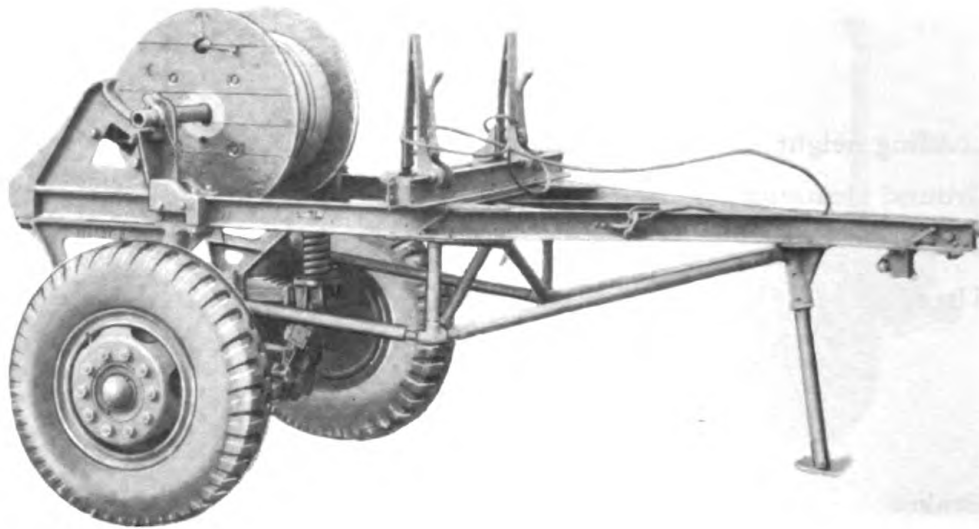
TM 9-2800

STANDARD MILITARY MOTOR VEHICLES
**TRAILER, TELEPHONE CONSTRUCTION AND
COMBINATION CABLE HAULER, 5-TON, K-37**

Technical Manuals:

Parts List:

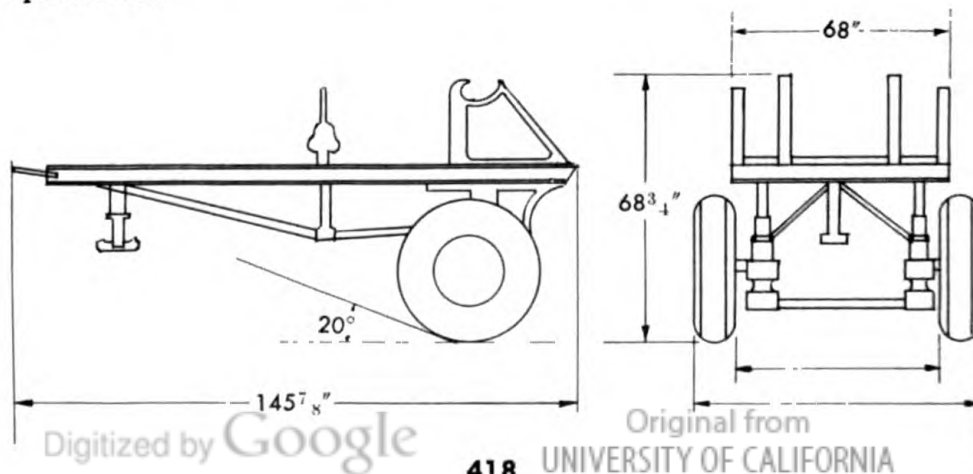
Manufacturer: Highway Trailer Co.



RA PD 66523

Classification: Standard

Purpose: To transport cable reel and to haul poles for Signal Corps operations.



SECTION XV—TRAILERS
TRAILER, TELEPHONE CONSTRUCTION AND
COMBINATION CABLE HAULER, 5-TON, K-37

GENERAL DATA

Body type.....		
Weight.....	Net.....(lb)	2,900
	Payload.....(lb)	10,000
	Gross.....(lb)	12,900
Loading height.....	(in.)	
Ground clearance.....	(in.)	9
Tread.....	(in.)	74
Tires.....	Operating.....	2
	Ply.....	10
	Size.....	9.00 x 20
Brakes.....	Electric	
Towing tractor.....		
Shipping dimensions.....	(cu ft) 472.....(sq ft) 82	

ADDITIONAL DATA

.....

.....

.....

.....

TM 9-2800

STANDARD MILITARY MOTOR VEHICLES
TRAILER, ANTENNA MOUNT, 10-TON GROSS, K-75

Technical Manuals:

Parts List:

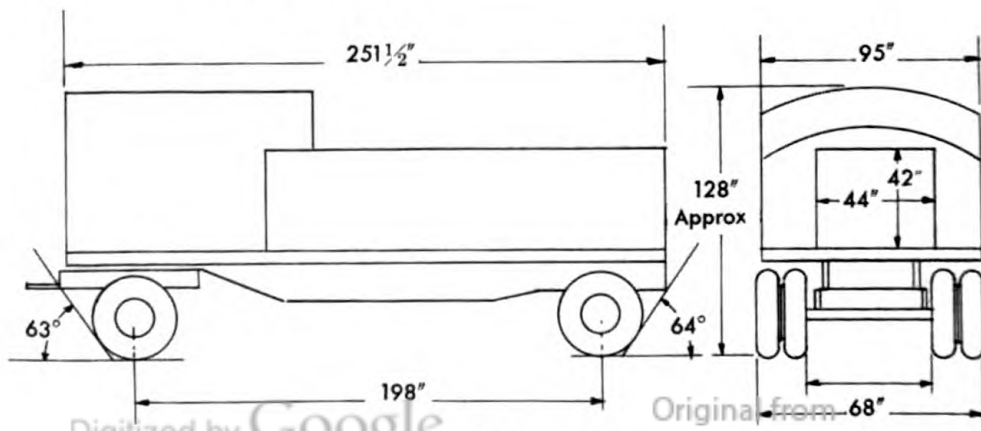
Manufacturers: Kingham Trailer Co., Body by: The Heil Co.



RA PD 308974

Classification: Standard

Purpose: Used by Signal Corps.



SECTION XV—TRAILERS
TRAILER, ANTENNA MOUNT, 10-TON GROSS, K-75

GENERAL DATA

Body type	Special steel compartments	
Weight	Net (lb)	
	Payload (lb)	
	Gross (lb)	26,000
Loading height	(in.)	
Ground clearance	(in.)	17½
Tread	(in.)	60
Tires	Operating	8
	Spare	1
	Ply	10
	Size	9.00 x 20
Brakes	Air	
Towing tractor		
Shipping dimensions	(cu ft) 1,904 (sq ft)	
Weight, packed for export	(Loaded) (lb)	28,600

ADDITIONAL DATA

.....

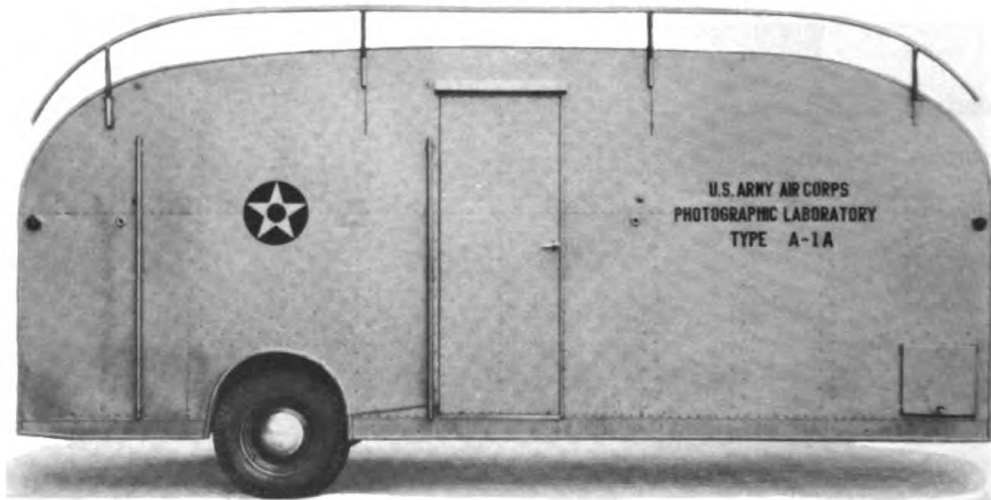
TM 9-2800

**STANDARD MILITARY MOTOR VEHICLES
TRAILER, LABORATORY, PHOTOGRAPHIC, TYPE A-1A**

Technical Manuals:

Parts List:

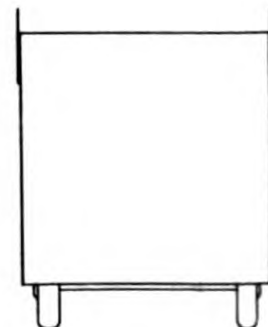
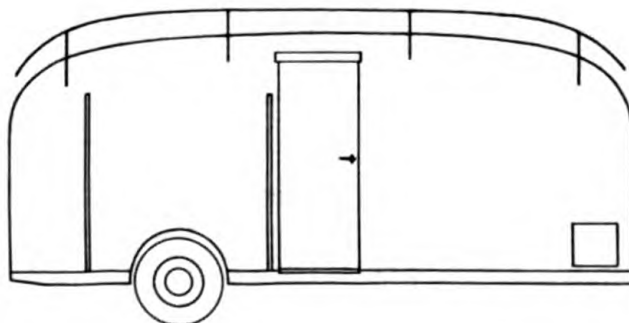
Manufacturer:



RA PD 309071

Classification: Limited standard

Purpose: Used by Army Air Forces for processing negatives and prints in the field.



SECTION XV—TRAILERS
TRAILER, LABORATORY, PHOTOGRAPHIC, TYPE A-1A

GENERAL DATA

Body type.....	Van	
Weight.....	Net.....(lb)	6,300
	Payload.....(lb)	1,500
	Gross.....(lb)	7,800
Loading height.....	(in.)	21
Ground clearance.....	(in.)	
Tread.....	(in.)	
Tires.....	Operating.....	2
	Ply.....	10
	Size.....	8.25 x 18
Brakes.....	(6-volt dry cell) Electric	
Towing tractor.....	Truck, 2½-ton, 6 x 6	
Shipping dimensions.....	(cu ft) (sq ft)	
Weight, packed for export.....	(lb)	6,300

ADDITIONAL DATA

.....

**STANDARD MILITARY MOTOR VEHICLES
TRAILER, LABORATORY, PHOTOGRAPHIC, TYPE A-2**

Technical Manuals:

Parts List:

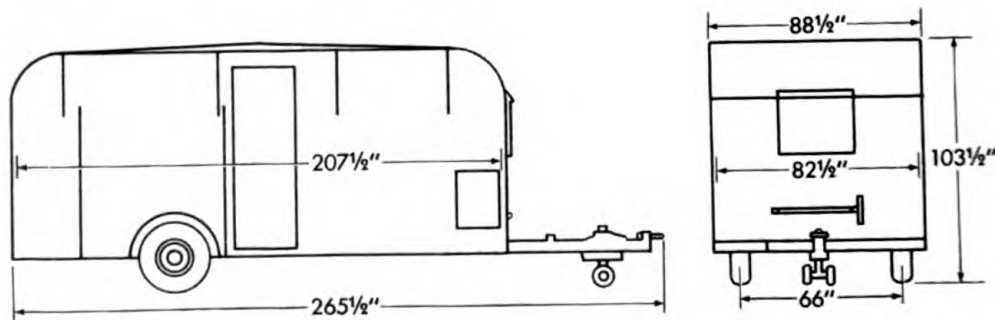
Manufacturer: Oneida Ltd.



RA PD 309069

Classification: Limited standard

Purpose: Used by Army Air Forces for the processing of negatives and prints in the field.



SECTION XV—TRAILERS
TRAILER, LABORATORY, PHOTOGRAPHIC, TYPE A-2

GENERAL DATA

Body type.....	Van	
Weight.....	Net.....(lb)	5,205
	Payload.....(lb)	1,450
	Gross.....(lb)	6,475
Loading height.....	(in.)	21
Ground clearance.....	(in.)	14
Tread.....	(in.)	
Tires.....	Operating.....	2
	Ply.....	10
	Size.....	8.25 x 18
Brakes.....	Electric	
Towing tractor.....	Truck, 2½-ton, 6 x 6	
Shipping dimensions.....	(cu ft) 1,419.....(sq ft) 164	
Weight, packed for export.....	(lb)	6,475

ADDITIONAL DATA

Van trailer, aluminum body with steel platform, draw bar and lunette ring. Rear wheels are independently suspended type. Front wheels are of the stabilizing type, mounted on a retractable, telescoping jack.

.....

.....

.....

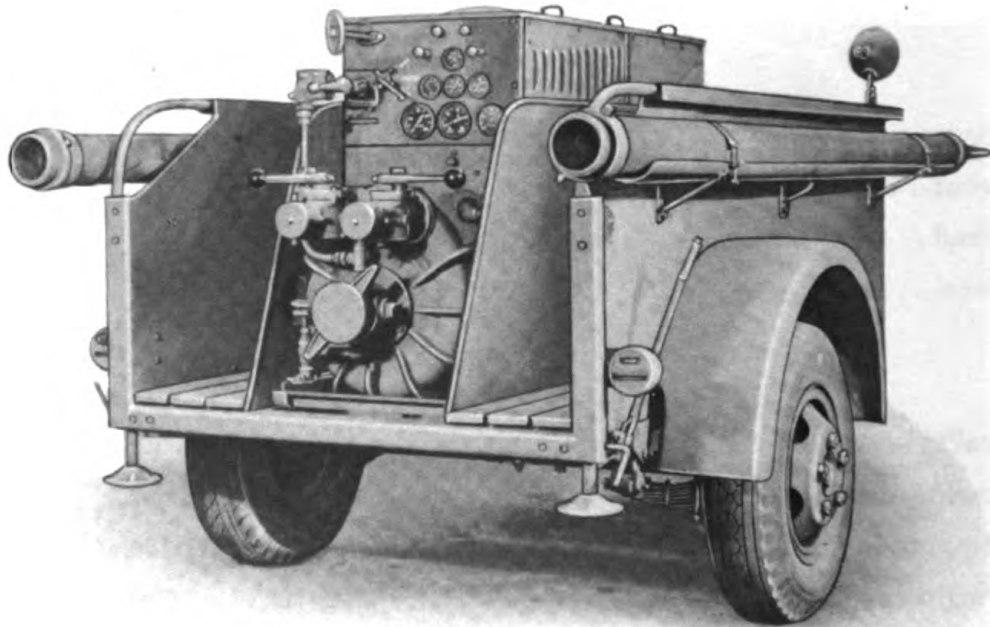
TM 9-2800

**STANDARD MILITARY MOTOR VEHICLES
TRAILER, FIRE PUMPER, 500 G.P.M., CLASS 1000**

Technical Manuals:

Parts List:

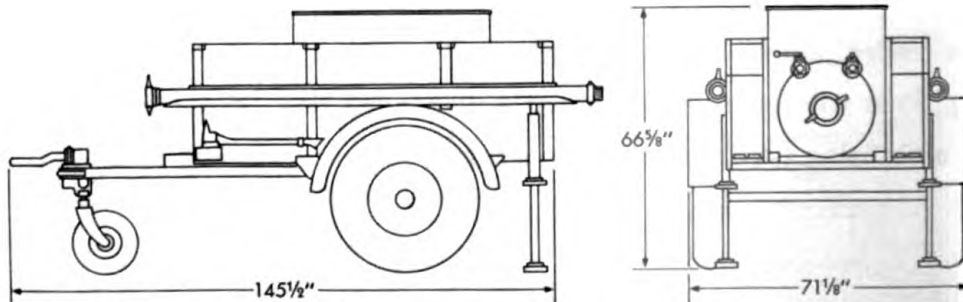
Manufacturer: Hale



RA PD 309008

Classification: Standard

Purpose: Used by Corps of Engineers to transport fire-fighting and pumping equipment.



SECTION XV—TRAILERS
TRAILER, FIRE PUMPER, 500 G.P.M., CLASS 1000

GENERAL DATA

Body type.....		
Weight.....	Net.....(lb)	2,000
	Payload.....(lb)	2,000
	Gross.....(lb)	4,000
Loading height.....	(in.)	
Ground clearance.....	(in.)	9
Tread.....	(in.)	58
Tires.....	Operating.....	2
	Ply.....	8
	Size.....	6.50 x 16
Brakes.....	Mechanical	
Towing tractor.....		
Shipping dimensions.....	(cu ft) 240.....(sq ft) 50	

ADDITIONAL DATA

Pump driven by a 6-cylinder, 4-cycle engine, 236.6 cubic inch displacement, brake horsepower—104.

Fuel tank capacity of 18 gallons.

Crew—5.

.....

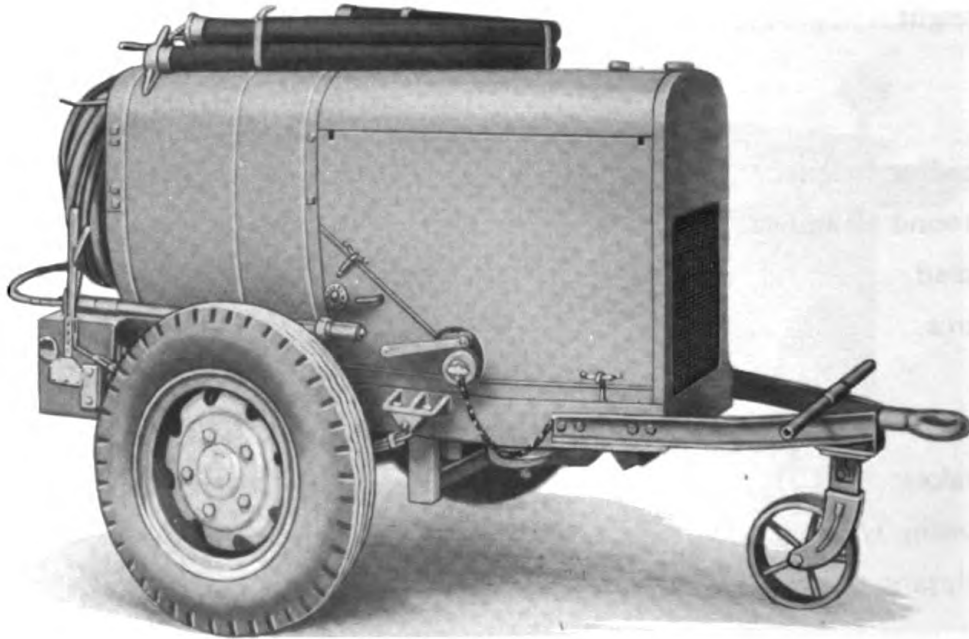
TM 9-2800

**STANDARD MILITARY MOTOR VEHICLES
TRAILER, FIRE CRASH, HIGH PRESSURE, CLASS 1010**

Technical Manuals:

Parts List:

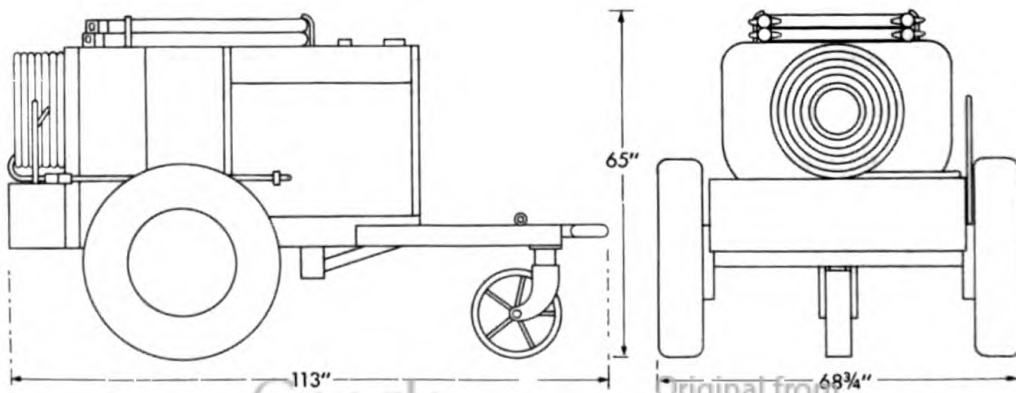
Manufacturer: John Bean



RA PD 309006

Classification: Standard

Purpose: Used by Corps of Engineers to transport fire-fighting and crash equipment at air fields.



Digitized by Google

SECTION XV—TRAILERS
TRAILER, FIRE CRASH, HIGH PRESSURE, CLASS 1010

GENERAL DATA

Body type		
Weight	Net(lb)	2,835
	Payload(lb)	1,535
	Gross(lb)	4,370
Ground clearance	(in.)	8 ¹ / ₂
Tread	(in.)	62
Tires	Operating	2
	Ply	8
	Size	7.50 x 20
Brakes	Mechanical	
Towing tractor		
Shipping dimensions	(cu ft) 292.....	(sq ft) 54

ADDITIONAL DATA

Crew	6
Engine	4 cylinder.....4 cycle
Displacement	(cu in.) 124
Brake horsepower	31
.....	
.....	
.....	
.....	

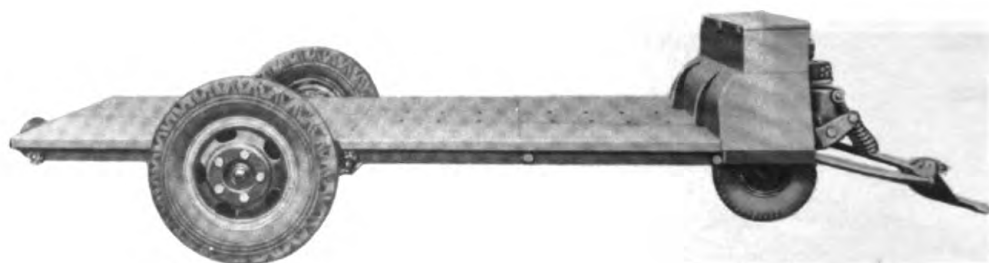
TM 9-2800

**STANDARD MILITARY MOTOR VEHICLES
TRAILER, BOMB, M5**

Technical Manual: TM 9-760.

Parts List: SNL G-74

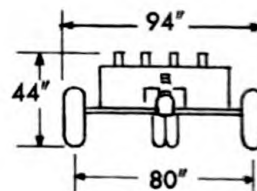
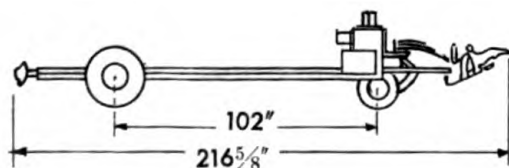
Manufacturers: American Seating Co., Saginaw Stamping and Tool Co.,
Oneida Ltd., Trailer Company of America.



RA PD 309124

Classification: Standard

**Purpose: Used by Army Air Forces to transport bombs with low loading
and ease of handling.**



**SECTION XV—TRAILER
TRAILER, BOMB, M5**

GENERAL DATA

Body type.....	Platform	
Weight.....	Net.....(lb)	2,200
	Payload.....(lb)	5,000
	Gross.....(lb)	7,200
Loading height, loaded.....	(in.)	21½
Ground clearance.....	(in.)	9½
Tread.....	(in.)	
Tires.....	Operating.....	4
	Ply (front) 6.....(rear) 8	
	Size (front).....	6.50 x 10
	(rear).....	7.50 x 18
Brakes.....	Electric	
Towing tractor.....	Bomb service truck M6	
Shipping dimensions.....	(cu ft).....(sq ft)	

ADDITIONAL DATA

Front of hitch yoke has reversible lunette to attach to rear pintle of another trailer, or to a prime mover, so that it can be towed in trains at speeds up to 45 miles per hour on highways.

.....

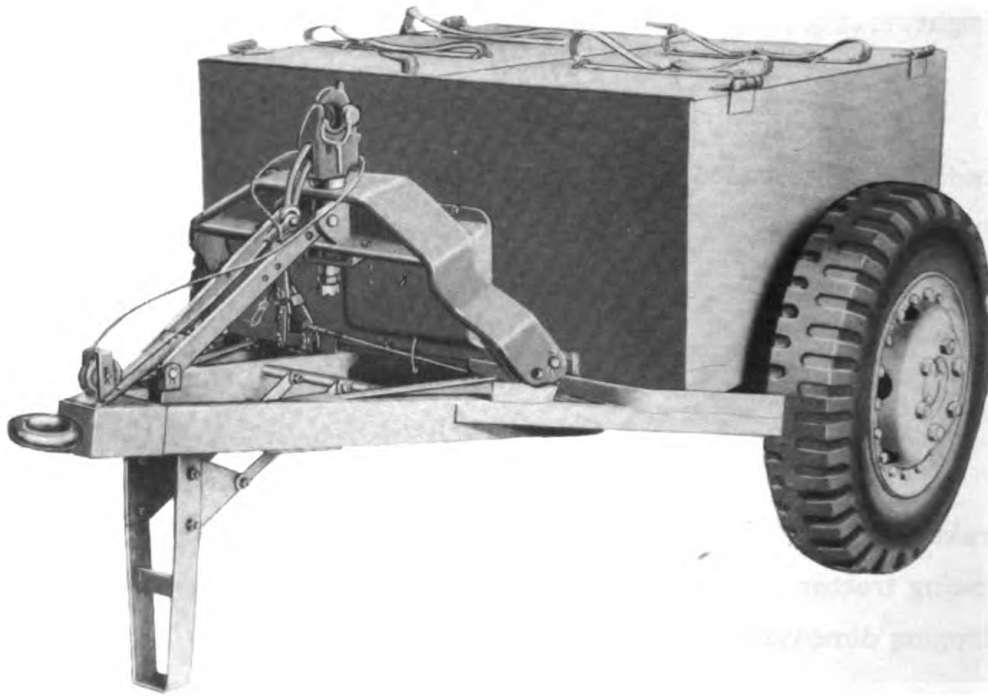
TM 9-2800

**STANDARD MILITARY MOTOR VEHICLES
TRAILER, ARMORED, M-8**

Technical Manual: TM 9-791.

Parts List: SNL G-157

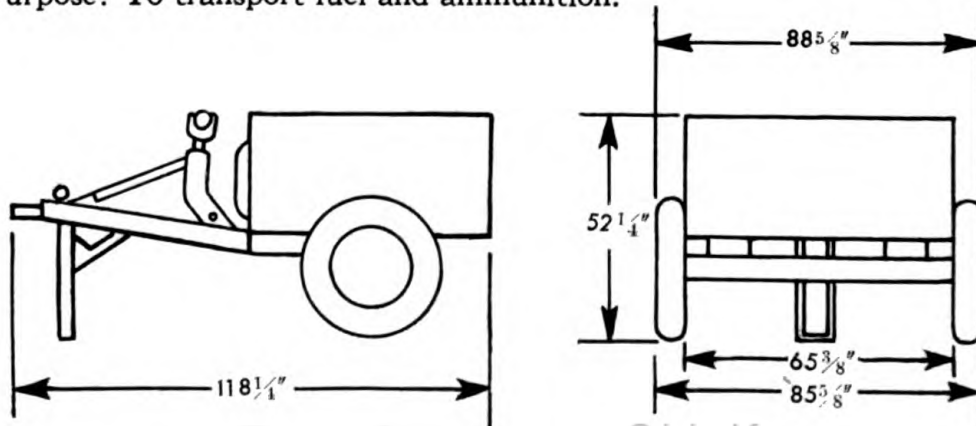
Manufacturer: John Deere Plow Works



RA PD 66507

Classification: Standard

Purpose: To transport fuel and ammunition.



Digitized by Google

SECTION XV—TRAILERS
TRAILER, ARMORED, M-8

GENERAL DATA

Body type.....	Armored cargo	
Weight.....	Net.....(lb)	2,640
	Payload.....(lb)	2,200
	Gross (w/o pintle).....(lb)	4,840
	Gross (w/ pintle).....(lb)	5,058
Loading height.....	(in.)	
Ground clearance.....	(in.)	16½
Tread.....	(in.)	75
Tires.....	Operating.....	2
	Ply.....	10
	Size.....	9.00 x 20
Brakes.....	Hand parking only	
Towing tractor.....	Tanks	
Electrical system.....	(volts)	6
Shipping dimensions.....	(cu ft) 316.....(sq ft) 73	

ADDITIONAL DATA

.....

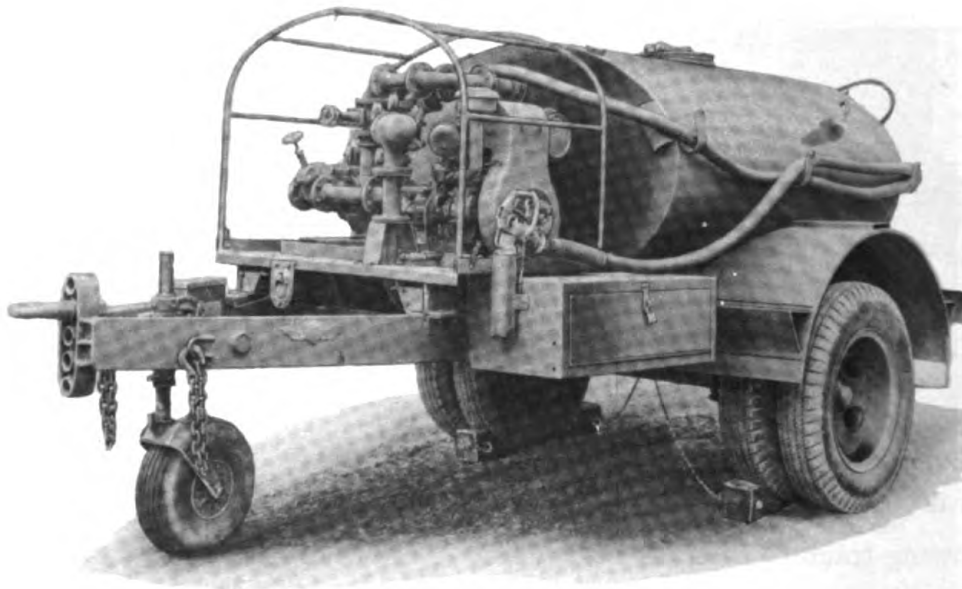
TM 9-2800

**STANDARD MILITARY MOTOR VEHICLES
TRAILER, FUEL SERVICING, 600-GAL., TYPE A-1**

Technical Order: TO 19-25-38.

Parts List:

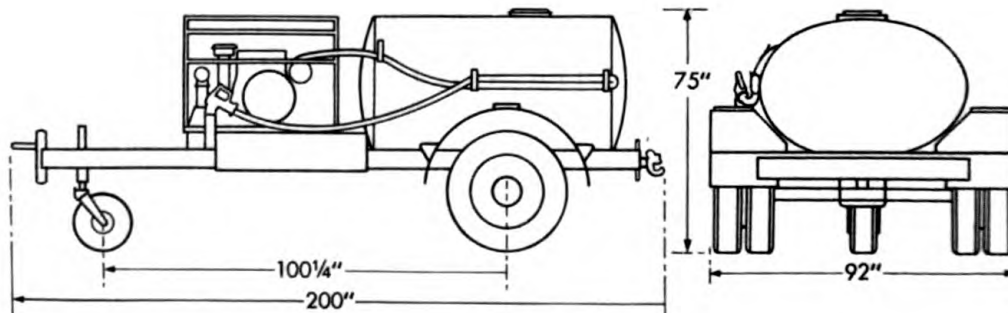
Manufacturer: Standard Steel Works



RA PD 309036

Classification: Standard

Purpose: Used by Army Air Forces to transport aircraft engine fuel and to service aircraft.



Digitized by Google

Original from
UNIVERSITY OF CALIFORNIA

SECTION XV—TRAILERS
TRAILER, FUEL SERVICING, 600-GAL., TYPE A-1

GENERAL DATA

Body type	Tank	
Weight	Net(lb)	3,700
	Payload(lb)	3,600
	Gross(lb)	7,300
Loading height	(in.)	75
Ground clearance		
Tires	Operating	4
	Ply	10
	Size	7.50 x 20
Brakes	Electric	
Shipping dimensions	(cu ft) 622.....	(sq ft)

ADDITIONAL DATA

Towed by type L-2 oil servicing truck or type F-3 fuel servicing truck. Under favorable conditions as many as four of these trailers can be towed in train formation by one prime mover. Any standard Army truck of 1½-ton or greater capacity can be used. May also be towed by M-2 medium tractor (track-laying). Equipped with power pump.

.....

Generated on 2013-05-08 11:17 GMT / http://hdl.handle.net/2027/uc1.b3244022
 Public Domain, Google-digitized / http://www.hathitrust.org/access_use#pd-google

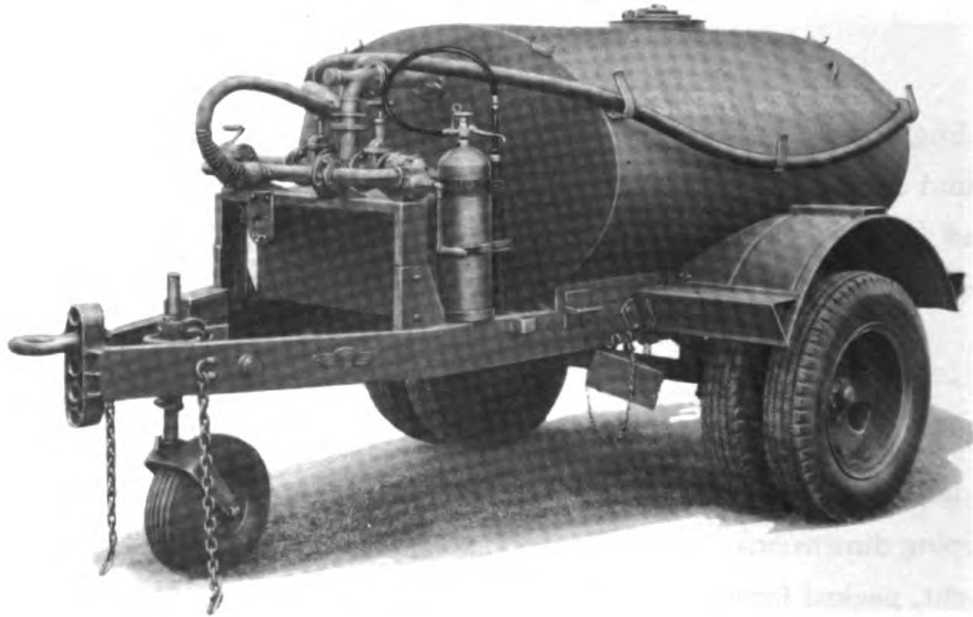
TM 9-2800

**STANDARD MILITARY MOTOR VEHICLES
TRAILER, FUEL SERVICING, 600-GAL., TYPE A-3**

Technical Orders:

Parts List:

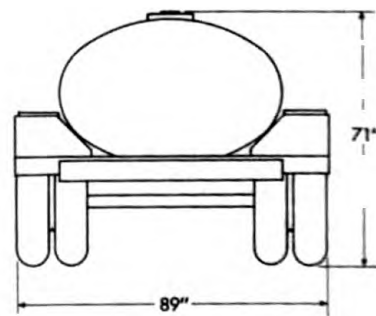
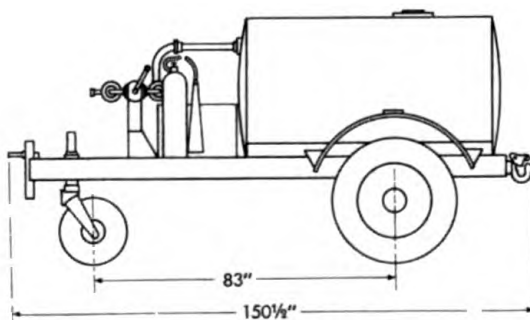
Manufacturer: Standard Steel Works



RA PD 309038

Classification: Standard

Purpose: Used by Army Air Forces to transport and pump fuel for aircraft refueling.



Digitized by Google

Original from
UNIVERSITY OF CALIFORNIA

SECTION XV—TRAILERS
TRAILER, FUEL SERVICING, 600-GAL., TYPE A-3

GENERAL DATA

Body type	Tank	
Weight	Net	(lb) 3,000
	Payload	(lb) 4,000
	Gross	(lb) 7,000
Loading height	(in.)	76
Ground clearance		
Tread	(in.)	
Tires	Operating	4
	Ply	
	Size	7.50 x 20
Brakes	Electric	
Towing tractor		
Shipping dimensions	(cu ft) 622	(sq ft)

ADDITIONAL DATA

Equipped with hand pump.

.....

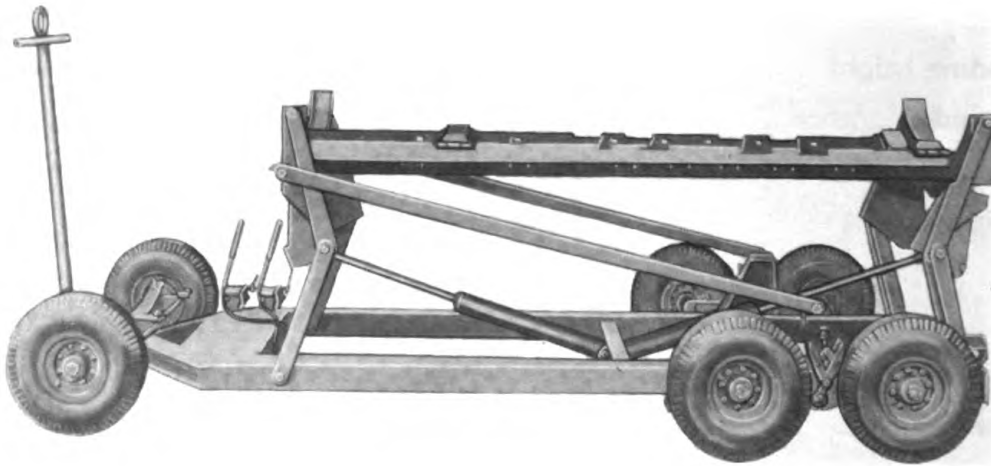
TM 9-2800

**STANDARD MILITARY MOTOR VEHICLES
LIFT TRUCK, M 22**

Technical Manual: TM 9-762

Parts List: SNL G-161

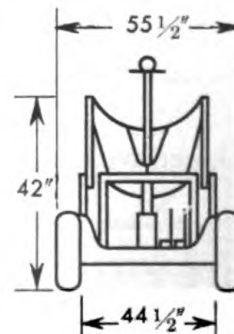
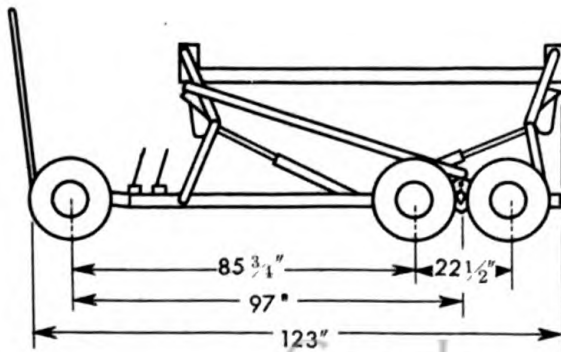
Manufacturer: Weaver Mfg. Co.



RA PD 66702

Classification: Standard

Purpose: To lift and transport aerial bombs and torpedoes weighing up to 4,000 pounds.



Digitized by Google

**SECTION XV—TRAILERS
LIFT TRUCK, M22**

GENERAL DATA

Body type		
Weight	Net(lb)	1,453
	Payload(lb)	4,188
	Gross(lb)	5,641
Loading height	(in.)	
Ground clearance	(in.)	4
Tread	(in.)	
Tires	Operating	
	Ply	6
	Size	18 x 5.50
Brakes	Parking only	
Towing tractor		
Shipping dimensions	(cu ft) 71.....	(sq ft) 47

ADDITIONAL DATA

Capacity of hydraulic lift, 14 quarts. This trailer may be towed by a truck, or used as a hand-truck.

.....



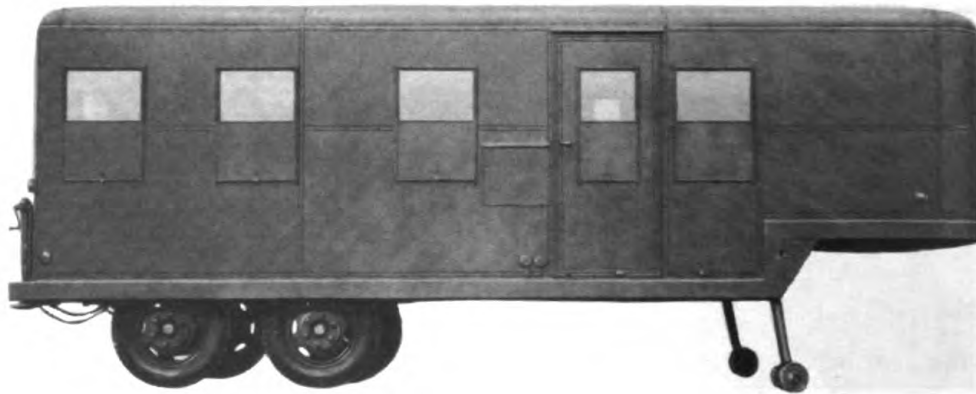
TM 9-2800

**STANDARD MILITARY MOTOR VEHICLES
SEMITRAILER, VAN, 1½-TON, K-55**

Technical Manuals:

Parts List:

Manufacturers: A. J. Miller (Auto Cruiser Trailer Co.), Oneonta Linn Corp.

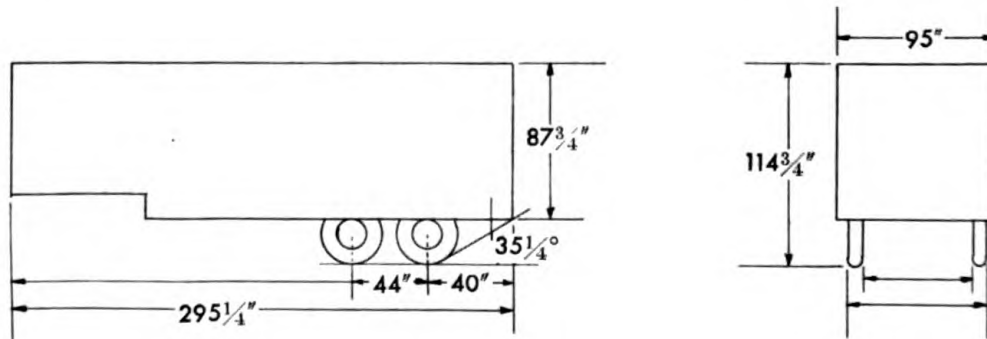


RA PD 66391

Vehicle illustrated above: Miller

Classification: Substitute standard

Purpose: Used by Signal Corps to transport Signal Corps equipment.



SECTION XVI—SEMITRAILERS
SEMITRAILER, VAN, 1½-TON, K-55

GENERAL DATA

Body type	Van	
Weight	Net (lb)	8,200
	Payload (lb)	4,500
	Gross (lb)	12,700
Loading height	(in.)	35
Ground clearance	(in.)	15½
Tread	(in.)	75
Tires	Operating	4
	Ply	8
	Size	7.50 x 20
Brakes	Electric	
Towing tractor		
Shipping dimensions	(cu ft) 1,885.....	(sq ft) 202

ADDITIONAL DATA

.....

TM 9-2800

**STANDARD MILITARY MOTOR VEHICLES
SEMITRAILERS, MAP REPRODUCTION EQUIPMENT,
VAN, 2½-TON**

Technical Manuals:

Parts List:

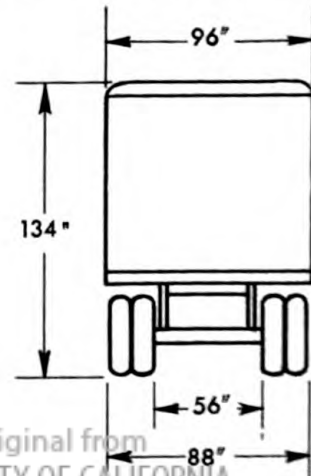
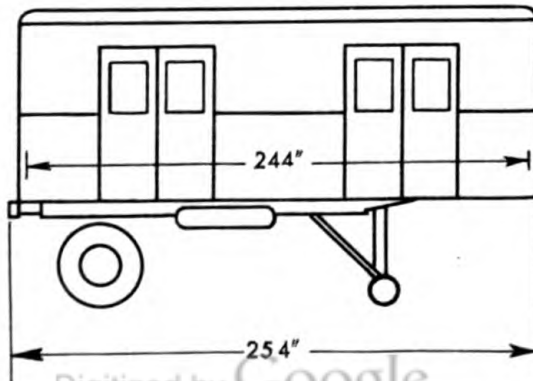
Manufacturers:



RA PD 66393

Classification: Limited standard

Purpose: Used by Corps of Engineers to transport map reproducing equipment.



Digitized by Google

**SECTION XVI—SEMITRAILERS
SEMITRAILERS, MAP REPRODUCTION EQUIPMENT,
VAN, 2½-TON**

GENERAL DATA

Body type	Van
Weight	Gross(lb) 13,500 to 14,500
Ground clearance	(in.) 12
Fording depth	(in.) 30
Tread	(in.)
Tires	Operating
	Ply
	Size
Brakes	
Towing tractor	
Shipping dimensions	(cu ft) 2000... (sq ft) 176

ADDITIONAL DATA

The same basic vehicle outfitted with different equipment is used as:
camera section, 24- x 24-inch, and press section, 17- x 19-inch.

Gross weight on outfitted vehicles varies from 13,500 to 14,500 pounds,
because of different loads.

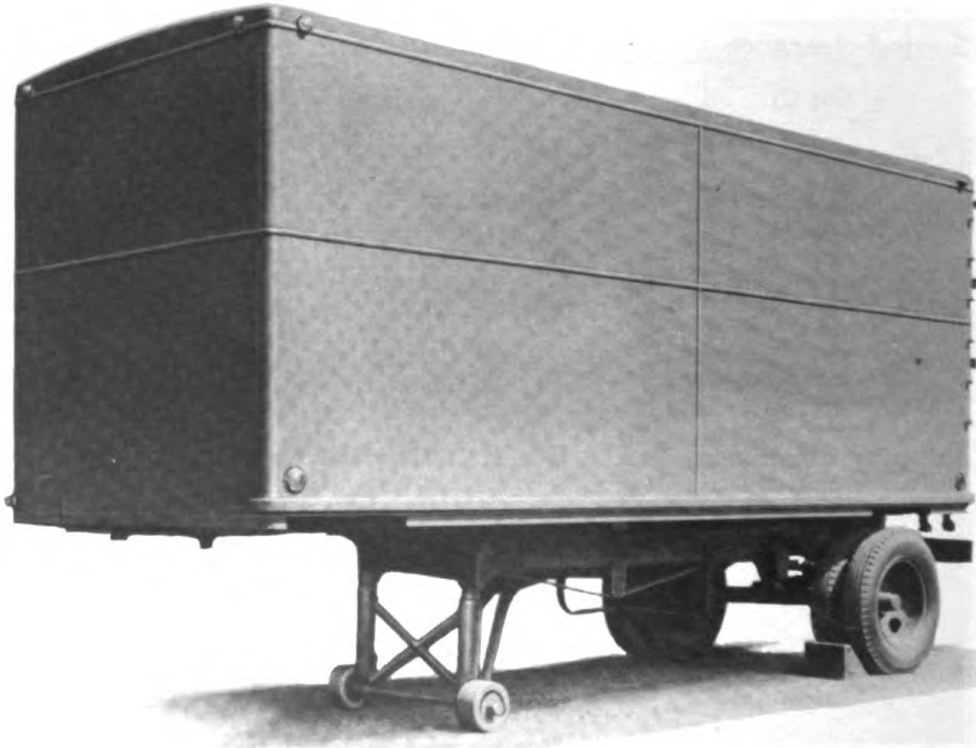
TM 9-2800

**STANDARD MILITARY MOTOR VEHICLES
SEMITRAILER, VAN, 3-TON (6-TON GROSS)**

Technical Manuals: Carolina, TM 10-1302; Highway, TM 10-1363;
Kingham, TM 10-1252;
Steel Products, TM 10-1688;
Strick, TM 10-1360;
Truck Eng., TM 10-1675.

Parts List:

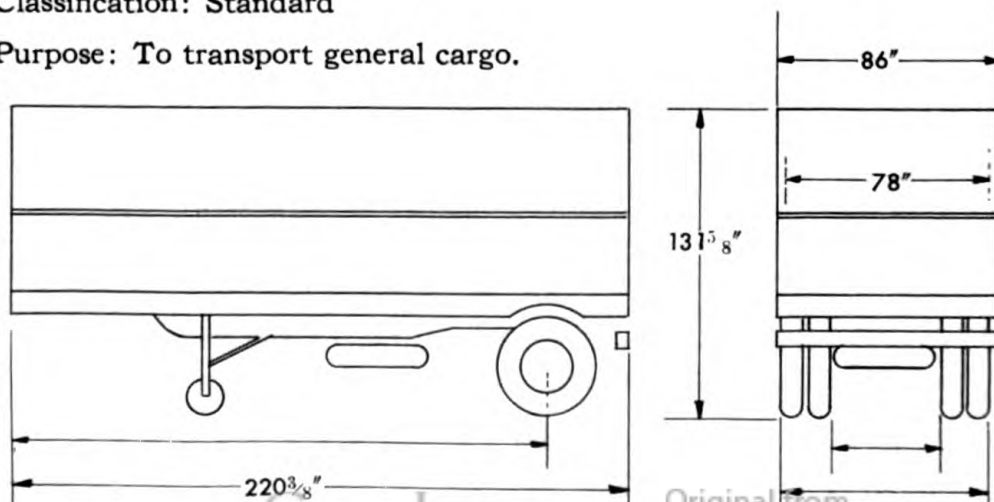
Manufacturers: Various



RA PD 308968

Classification: Standard

Purpose: To transport general cargo.



**SECTION XVI—SEMITRAILERS
SEMITRAILER, VAN, 3-TON (6-TON GROSS)**

GENERAL DATA

Body type	Van—wood or steel	
Weight	Net, wood(lb)	5,750
	Net, steel(lb)	5,800
	Payload(lb)	6,000
	Gross, wood(lb)	11,750
	Gross, steel(lb)	11,800
Loading height	(in.)	49
Ground clearance	(in.)	15½
Tread	(in.)	66
Tires	Operating	4
	Spares	1
	Ply	8
	Size	7.50 x 20
Brakes	Electric	
Towing tractor	Truck tractor, 1½-ton, 4 x 2	
	Truck tractor, 1½ ton, 4 x 4	
Shipping dimensions	(cu ft) (sq ft)	

ADDITIONAL DATA

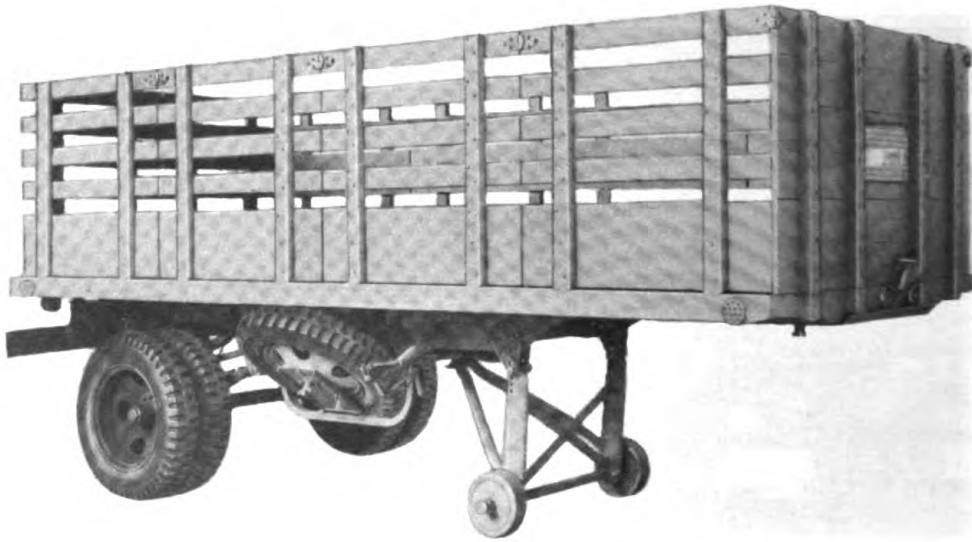
Similar vehicles manufactured by: Black Diamond Trailer Co.; Carolina Trailer Co.; Checker Cab Mfg. Co.; Highway Trailer Co.; Kingham Trailer Co.; A. J. Miller (Auto Cruiser Trailer Co.); Steel Products Co., Inc.; Strick Co.; Truck Engineering Corp.

TM 9-2800

**STANDARD MILITARY MOTOR VEHICLES
SEMITRAILER, STAKE AND PLATFORM
3½-TON (6-TON GROSS)**

Technical Manuals: Black Diamond, TM 9-886A; Parts List:
Dorsey, TM 10-1343; Highway, TM 10-1363;
Hobbs, TM 10-1353; Kingham, TM 10-1252;
Strick, TM 10-1360; Utility, TM 10-1300;
Truck Eng., TM 10-1675; Winter-Weiss,
TM 10-1170.

Manufacturers: Various

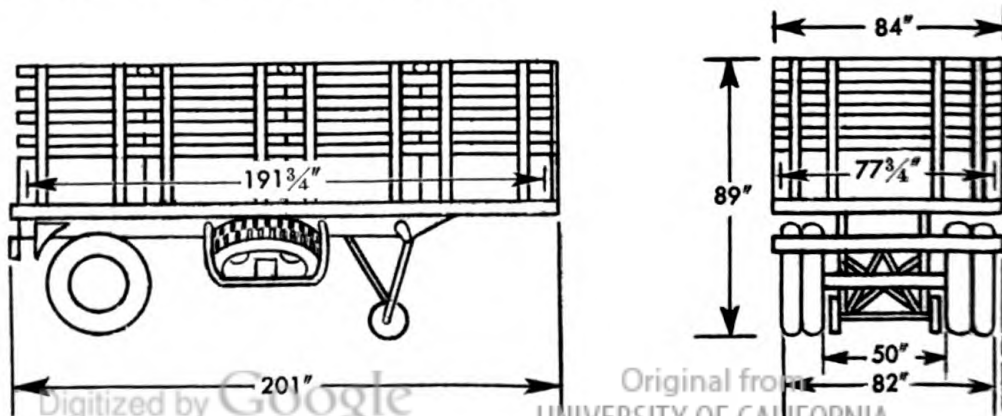


RA PD 66395

Vehicle illustrated above: Checker Cab Mfg. Co., Model CC-4.

Classification: Standard

Purpose: To transport general cargo.



SECTION XVI—SEMITRAILERS
SEMITRAILER, STAKE AND PLATFORM
3½-TON (6-TON GROSS)

GENERAL DATA

Body type.....	Combination stake and platform	
Weight.....	Net.....(lb)	4,582
	Payload.....(lb)	7,000
	Gross.....(lb)	11,582
Loading height.....	(in.)	49¼
Ground clearance.....	(in.)	15½
Tread.....	(in.)	66
Tires.....	Operating.....	4
	Spares.....	1
	Ply.....	8
	Size.....	7.50 x 20
Brakes.....	Electric	
Towing tractor.....	Truck tractor, 1½-ton, 4x2	
	Truck tractor, 1½-ton, 4x4	
Shipping dimensions.....	(cu ft) 459.....	(sq ft) 117

ADDITIONAL DATA

Similar vehicles manufactured by: Black Diamond Trailer Co., Dorsey Bros., Highway Trailer Co., Hobbs Mfg. Co., Kingham Trailer Co., Strick Co., Utility Trailer Mfg. Co., Truck Engineering Corp., Winter-Weiss Co.

.....

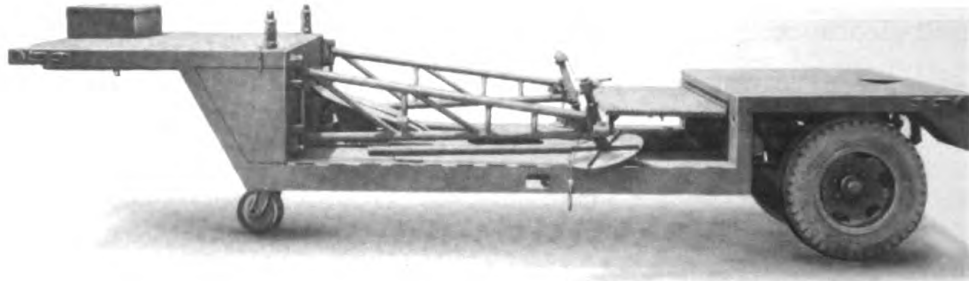
TM 9-2800

**STANDARD MILITARY MOTOR VEHICLES
SEMITRAILER, 6-TON GROSS, K-67**

Technical Manuals:

Parts List:

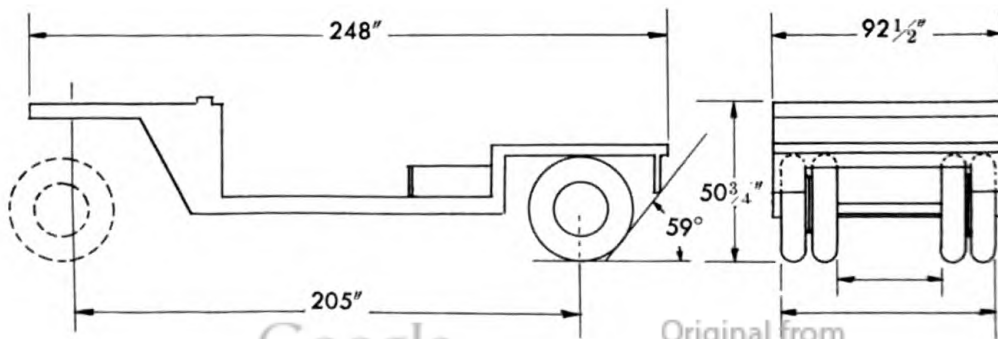
Manufacturer: Fruehauf Trailer Co.



RA PD 308939

Classification: Standard

Purpose: To transport radio equipment for Signal Corps.



Digitized by Google

Original from
UNIVERSITY OF CALIFORNIA

SECTION XVI—SEMITRAILERS
SEMITRAILER, 6-TON GROSS, K-67

GENERAL DATA

Body type.....	Platform only	
Weight.....	Net.....(approx.) (lb)	6,500
	Payload.....(lb)	6,000
	Gross.....(approx.) (lb)	12,500
Loading height.....	(in.)	
Ground clearance.....	(in.)	
Tread.....	(in.)	
Tires.....	Operating.....	4
	Ply.....	8
	Size.....	7.50 x 20
Brakes.....	Electric	
Towing tractor.....	Truck, 1½-ton, 4x4	
Shipping dimensions.....	(cu ft) 1740.....(sq ft)	
Weight packed for export... (Loaded).....	(lb)	13,158

ADDITIONAL DATA

.....

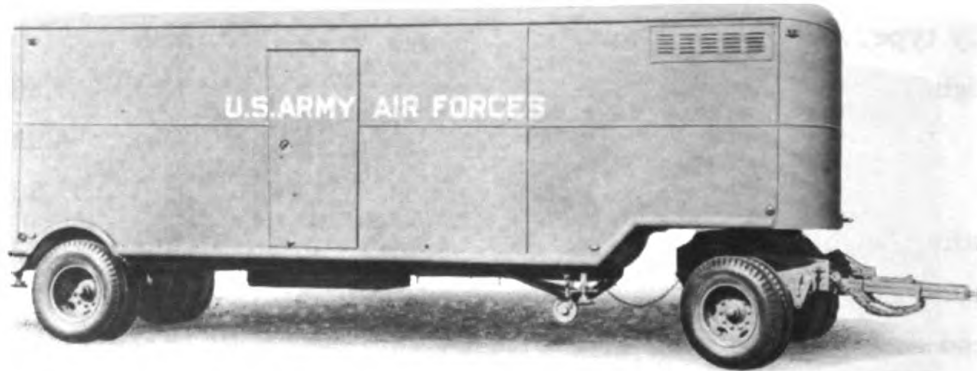
TM 9-2800

**STANDARD MILITARY MOTOR VEHICLES
SEMITRAILERS, INSTRUMENT SHOP, 8-TON GROSS**

Technical Order: TO 19-25-27.

Parts List:

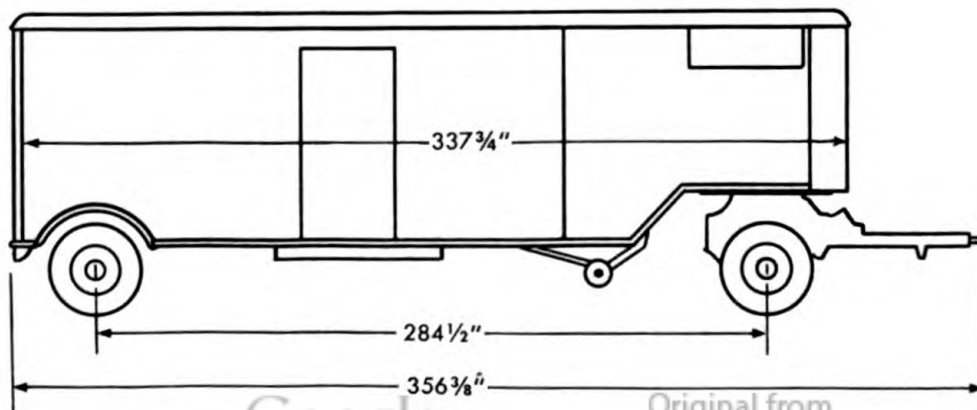
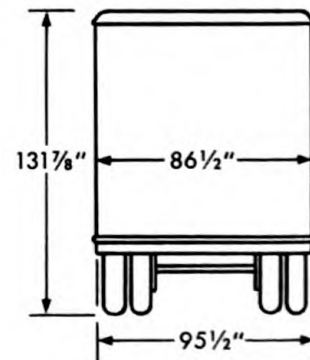
Manufacturer: Keystone, Model AC-105.



RA PD 309089

Classification: Standard

Purpose: Used by Army Air Forces for repair, calibration and maintenance of aircraft instruments.



SECTION XVI—SEMITRAILERS
SEMITRAILERS, INSTRUMENT SHOP, 8-TON GROSS

GENERAL DATA

Body type.....		
Weight.....	Net.....(lb)	12,670
	Payload (test equipment)....(lb)	4,214
	Gross.....(lb)	16,884
Loading height.....	(in.)	35
Ground clearance.....	(in.)	13
Tires.....	Operating.....	4
	Ply.....	12
	Size.....	9.00 x 20
Kingpin to center of axle.....	(in.)	284½
Brakes.....	Air	
Towing tractor.....		
Shipping dimensions.....	(cu ft) 2,607.....(sq ft) 237	

ADDITIONAL DATA

.....

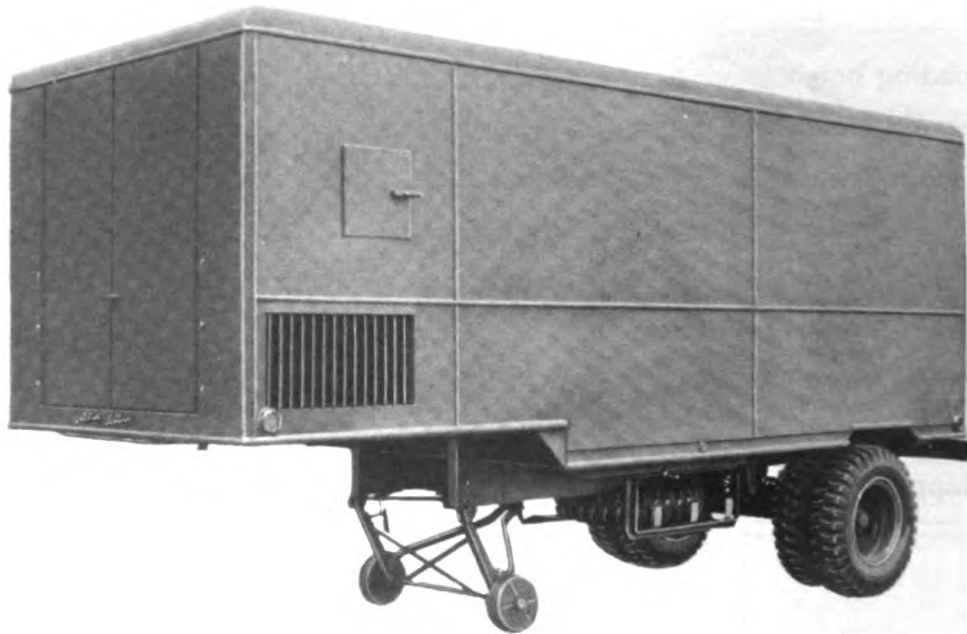
**STANDARD MILITARY MOTOR VEHICLES
SEMITRAILER, REFRIGERATOR,
5-TON (10-TON GROSS)**

Technical Manuals:

American Body, TM 10-1311;
Hyde, TM 10-1313;
Watson, TM 10-1307.

Parts List:

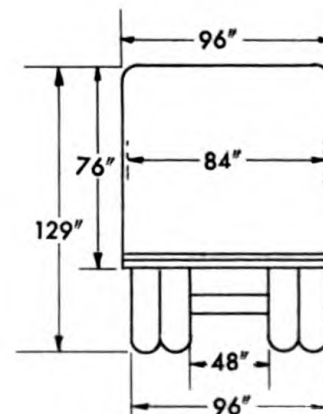
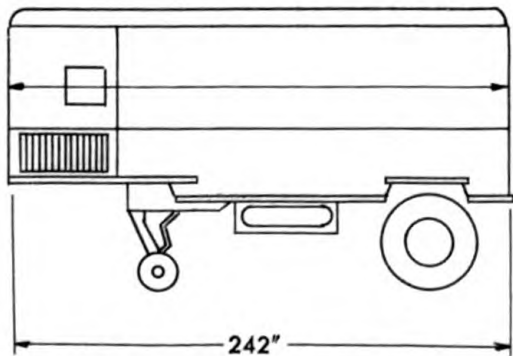
Manufacturers: American Body and Trailer; Hyde; A. J. Miller; Robbins and Burke Inc.; U. S. Thermo Control Co.; Watson.



RA PD 66398

Classification: Standard

Purpose: Used by Quartermaster Corps to transport perishable food.



**SECTION XVI—SEMITRAILERS
SEMITRAILER, REFRIGERATOR,
5-TON (10-TON GROSS)**

GENERAL DATA

Body type	Refrigeration	
Weight	Net	(lb) 12,150
	Payload	(lb) 10,000
	Gross	(lb) 22,150
Loading height		(in.)
Tires	Operating	4
	Ply	10
	Size	9.00 x 20
Ground clearance		(in.) 14
Brakes	Air	
Towing tractor		
Shipping dimensions	(cu ft) 1,763	(sq ft) 164

ADDITIONAL DATA

.....

TM 9-2800

STANDARD MILITARY MOTOR VEHICLES
**SEMITRAILERS, MAP REPRODUCTION EQUIPMENT
VAN, 10-TON GROSS**

Technical Manuals:

Parts List:

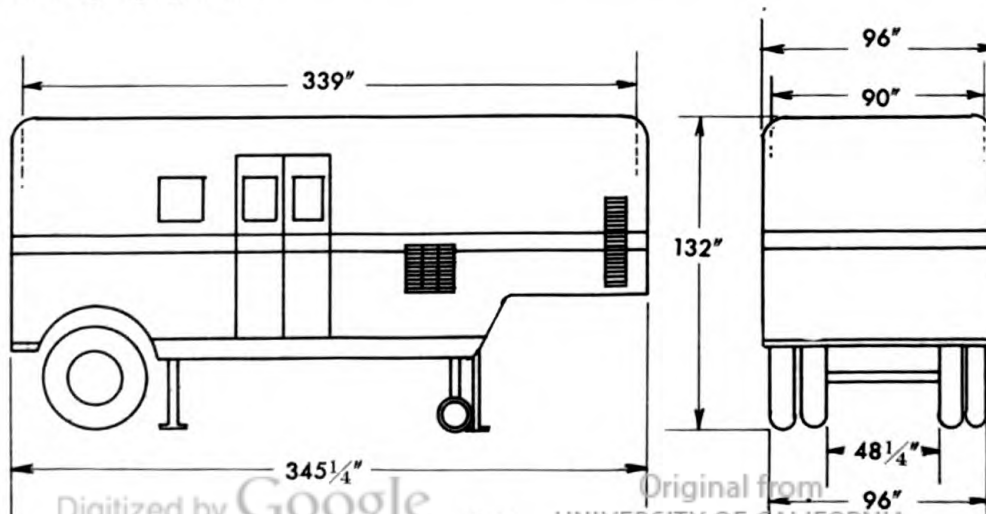
Manufacturer: Fruehauf Trailer Co.



RA PD 309010

Classification: Limited standard

Purpose: Used by Corps of Engineers to transport camera and reproducing equipment.



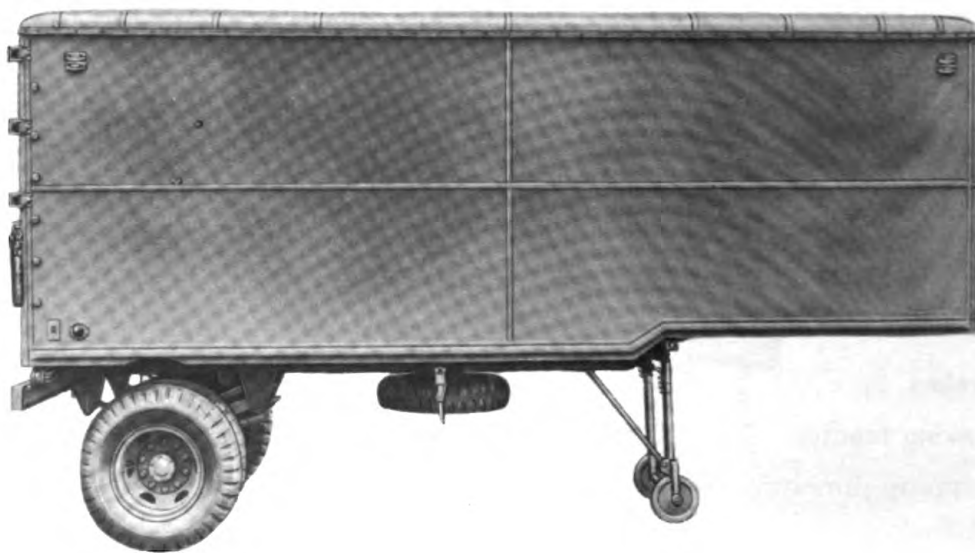
TM 9-2800

**STANDARD MILITARY MOTOR VEHICLES
SEMITRAILER, VAN, 6-TON (10-TON GROSS)**

Technical Manuals: American, Dorsey, Kentucky, Strick, Timpte, Utility, Olson, and Carter, TM 9-888; Gramm, TM 10-1217; Highway, TM 10-1381; Trailer Co. of Am., TM 10-1351; Gerstenslager, 10-1315.

Parts List:

Manufacturers: Various.

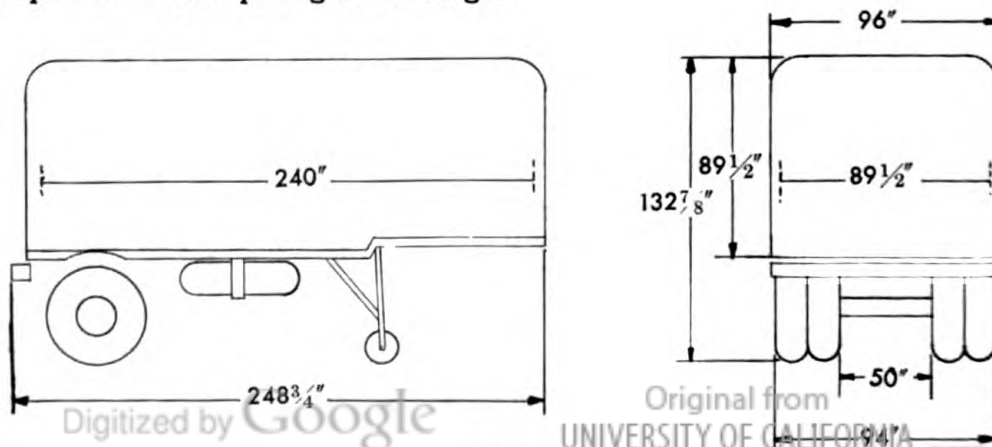


RA PD 66411

Vehicle illustrated above: Gerstenslager Co.

Classification: Standard

Purpose: To transport general cargo.



**SECTION XVI—SEMITRAILERS
SEMITRAILER, VAN, 6-TON (10-TON GROSS)**

GENERAL DATA

Body type	Van—wood or steel	
Weight	Net (steel).....(lb)	7,450
	Net (wood).....(lb)	7,200
	Payload.....(lb)	12,000
	Gross (steel).....(lb)	19,450
	Gross (wood).....(lb)	19,200
Loading height	(in.)	50
Ground clearance	(in.)	16½
Tread	(in.)	72
Tires	Operating.....	4
	Spare.....	1
	Ply.....	10
	Size.....	9.00 x 20
Brakes	Air	
Towing tractor	Truck tractor, 4-5 ton, 4 x 4	
Shipping dimensions	(cu ft) 1,836.....(sq ft) 165	

ADDITIONAL DATA

Similar vehicles manufactured by: American Body and Trailer Co., Dorsey Brothers, Gramm Truck and Trailer Corp., Highway Trailer Co., Kentucky Mfg. Co., Olson Mfg. Co., Strick Co., Timpte Brothers, Trailer Company of America, Carter Mfg. Co., and Utility Trailer Mfg. Co.

TM 9-2800

**STANDARD MILITARY MOTOR VEHICLES
SEMITRAILER, CLOTHING REPAIR, 6-TON
(10-TON GROSS)**

Technical Manual: Timpte, TM 10-1309.

Parts List: SNL G-591

Manufacturers: Rivers Body Factory, Timpte Bros.

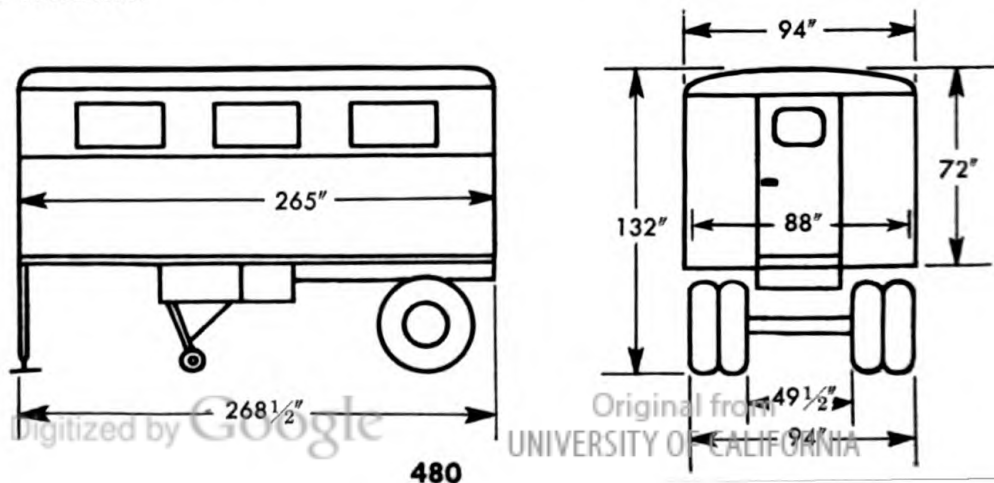


RA PD 66401

Vehicle illustrated above: Rivers Body Factory

Classification: Standard

Purpose: Used by Quartermaster Corps to provide mobile clothing repair facilities.



Original from UNIVERSITY OF CALIFORNIA

**SECTION XVI—SEMITRAILERS
SEMITRAILER, CLOTHING REPAIR, 6-TON
(10-TON GROSS)**

GENERAL DATA

Body type.....	Van	
Weight.....	Net.....(lb)	8,000
	Payload.....(lb)	12,000
	Gross.....(lb)	20,000
Loading height.....	(in.)	50
Tires.....	Operating.....	4
	Ply.....	10
	Size.....	9.00 x 20
Ground clearance.....	(in.)	14
Brakes.....	Air	
Towing tractor.....	Truck tractor, 4-5 ton, 4 x 4	
Shipping dimensions.....	(cu ft) (sq ft)	

ADDITIONAL DATA

.....

.....

.....

.....

TM 9-2800

STANDARD MILITARY MOTOR VEHICLES
SEMITRAILER, COMBINATION ANIMAL AND CARGO,
6-TON (10-TON GROSS)

Technical Manuals: Gramm, TM 10-1380; Parts List: SNL G-580
Highway, TM 10-1372.

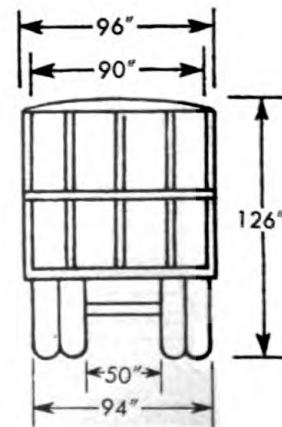
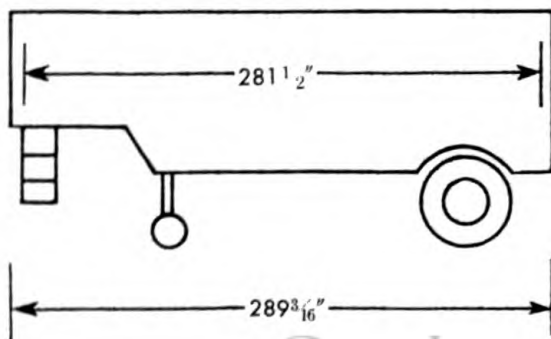
Manufacturers: Gramm Motor Truck and Trailer Corp., Highway
Trailer Co.



RA PD 66399

Classification: Standard

Purpose: To transport eight men and eight horses with equipment for both, including rifle and saddle racks.



Digitized by Google 482

Original from
UNIVERSITY OF CALIFORNIA

SECTION XVI—SEMITRAILERS
SEMITRAILER, COMBINATION ANIMAL AND CARGO,
6-TON (10-TON GROSS)

GENERAL DATA

Body type	Open-top van	
Weight	Net(lb)	8,820
	Payload(lb)	12,000
	Gross(lb)	20,820
Loading height	(in.)	38
Tires	Operating	4
	Spare	1
	Ply	10
	Size	9.00 x 20
Ground clearance	(in.)	14
Brakes	Air	
Towing tractor	Truck tractor, 4-5-ton, 4 x 4	
Shipping dimensions	(cu ft) (sq ft)	

ADDITIONAL DATA

.....

 Digitized by Google Original from
 UNIVERSITY OF CALIFORNIA

TM 9-2800

STANDARD MILITARY MOTOR VEHICLES
SEMITRAILER, FIELD SHOP REPAIR,
10-TON GROSS, TYPE A-3A

Technical Orders:

Parts List:

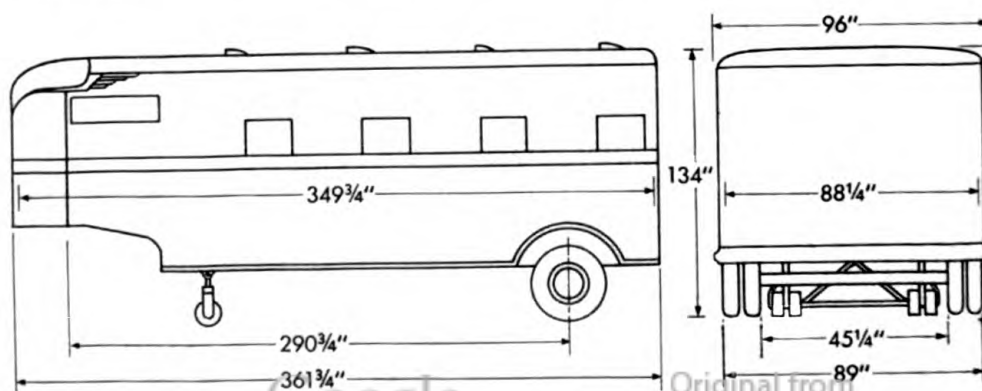
Manufacturer: Fruehauf Trailer Co.



RA PD 309067

Classification: Standard

Purpose: Used by Army Air Forces to provide mobile machine shop facilities.



Digitized by Google

Original from
UNIVERSITY OF CALIFORNIA

**SECTION XVI—SEMITRAILERS
SEMITRAILER, FIELD SHOP REPAIR,
10-TON GROSS, TYPE A-3A**

GENERAL DATA

Body type	Van	
Weight	Net	(lb) 9,000
	Payload (equipment)	(lb) 8,550
	Gross	(lb) 17,550
	Gross (allowable)	(lb) 29,000
Loading height	(in.)	33
Ground clearance	(in.)	17½
Kingpin to center of axle	(in.)	290¾
Tires	Operating	4
	Ply	10
	Size	9.00 x 20
Brakes	Air	
Towing tractor	Truck tractor, 4-5 ton, 4 x 4	
Shipping dimensions	(cu ft) 2,692.....	(sq ft) 241
	(cu ft) (disassembled) 2,258	
Weight packed for export	(lb)	29,000

ADDITIONAL DATA

Equipment includes 4,000 pound derrick (on tractor); 110-volt generating plant; 15,000 pound capacity winch (on tractor); die making machine; 10-inch grinder; 1-inch collet lathe; arbor press; 14-inch drill press; 2 vises; work bench; air compressor; gasoline heater. A full complement of hand tools and utility parts are provided by the using organization.

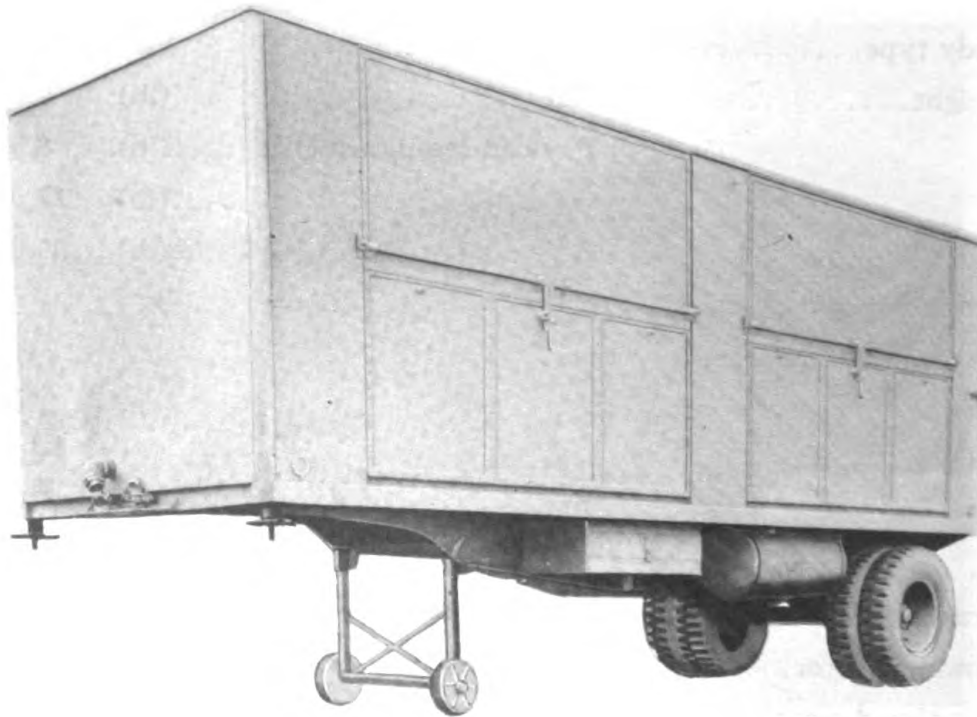
TM 9-2800

**STANDARD MILITARY MOTOR VEHICLES
SEMITRAILER, LAUNDRY, 6-TON (10-TON GROSS)**

Technical Manual: TM 10-1217.

Parts List: SNL G-584

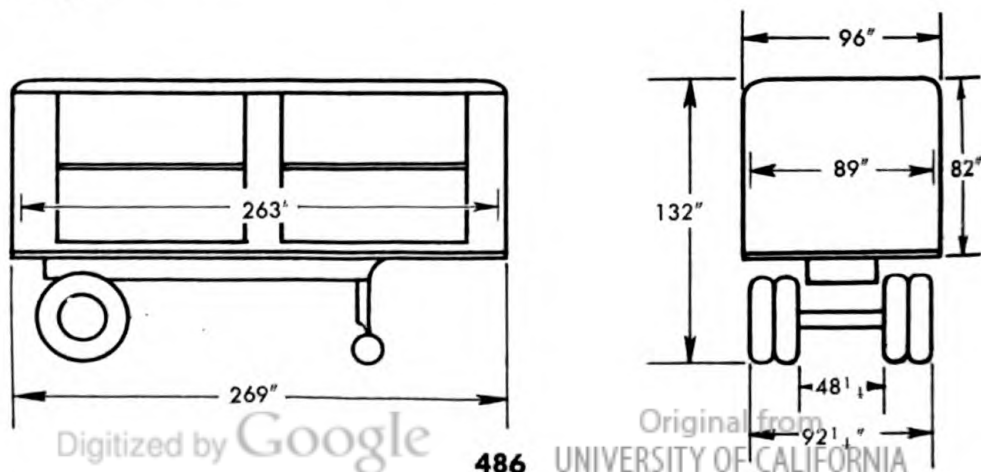
Manufacturer: Gramm Motor Truck & Trailer Corp.



RA PD 66403

Classification: Standard

Purpose: To provide mobile laundry facilities for use by Quartermaster Corps.



SECTION XVI—SEMITRAILERS
SEMITRAILER, LAUNDRY, 6-TON (10-TON GROSS)

GENERAL DATA

Body type.....	Van laundry	
Weight.....	Net.....(lb)	8,000
	Payload.....(lb)	12,000
	Gross.....(lb)	20,000
Loading height.....	(in.)	
Tires.....	Operating.....	4
	Ply.....	10
	Size.....	9.00 x 20
Ground clearance.....	(in.)	
Brakes.....	Air	
Towing tractor.....		
Shipping dimensions.....	(cu ft) (sq ft)	

ADDITIONAL DATA

.....

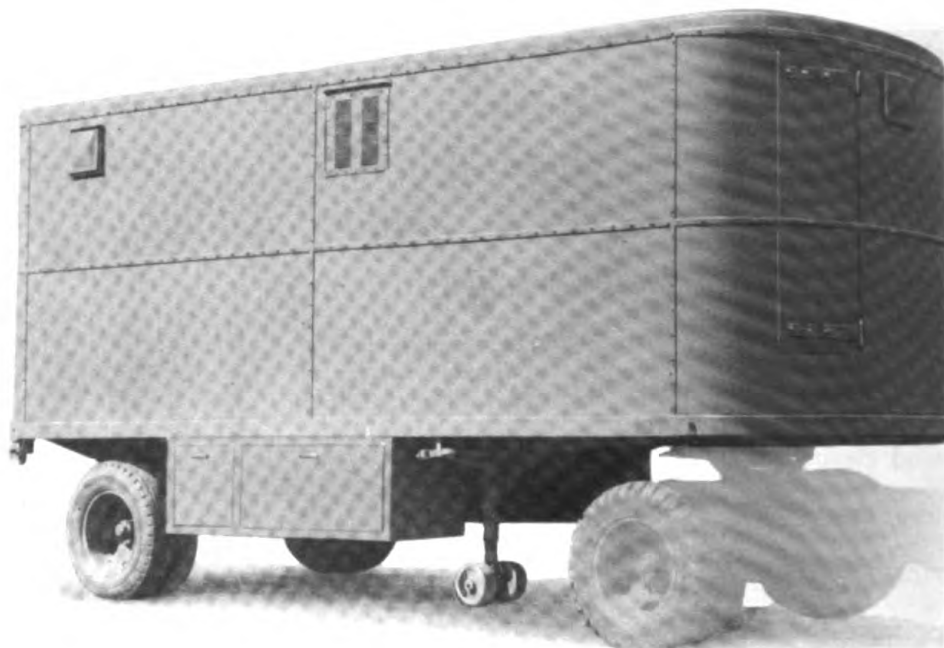
TM 9-2800

**STANDARD MILITARY MOTOR VEHICLES
SEMITRAILER, MOBILE RECORDS,
6-TON (10-TON GROSS)**

Technical Manuals:

Parts List: SNL G-592

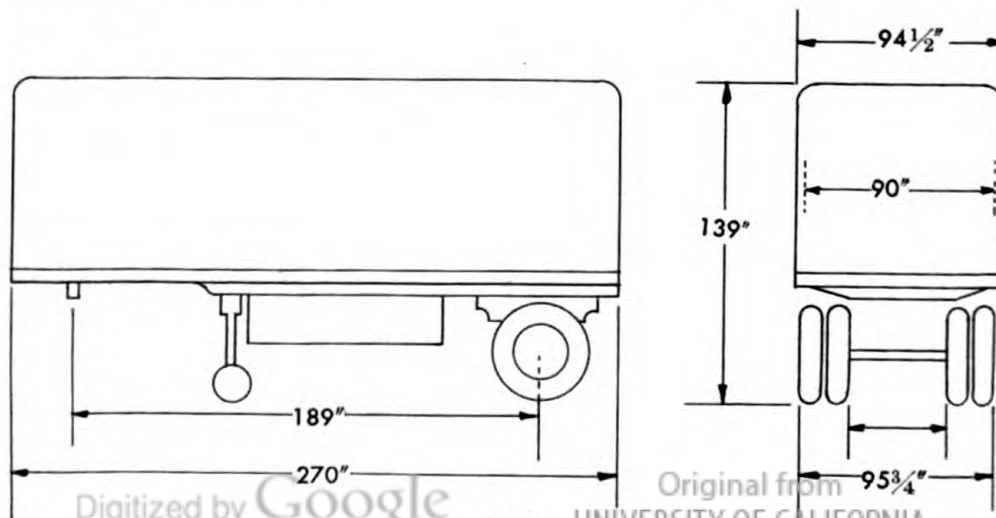
Manufacturer: Watson Automotive Equipment Co.



RA PD 308967

Classification: Standard

Purpose: To provide mobility for electric accounting machines used in the field.



SECTION XVI—SEMITRAILERS
SEMITRAILER, MOBILE RECORDS,
6-TON (10-TON GROSS)

GENERAL DATA

Body type.....	Van	
Weight.....	Net.....(lb)	9,000
	Payload.....(lb)	12,000
	Gross.....(lb)	21,000
Loading height.....	(in.)	49
Ground clearance.....	(in.)	16½
Tread.....	(in.)	69
Tires.....	Operating.....	4
	Ply.....	10
	Size.....	9.00 x 20
Brakes.....	Air	
Towing tractor.....	Truck tractor, 4-5 ton, 4 x 4	
Shipping dimensions.....	(cu ft) (sq ft)	

ADDITIONAL DATA

.....

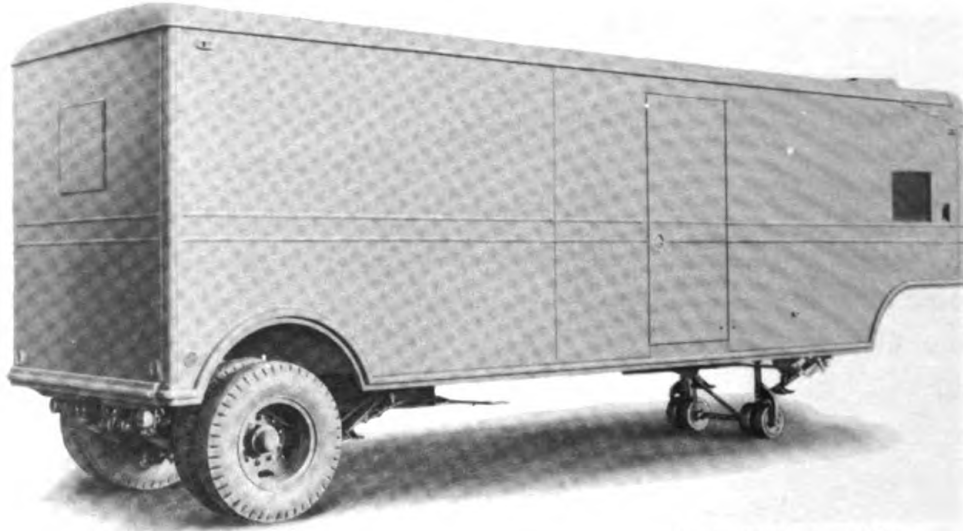
TM 9-2800

**STANDARD MILITARY MOTOR VEHICLES
SEMITRAILER, LABORATORY, PHOTOGRAPHIC
10-TON GROSS, TYPE N-1, N-2, N-3**

Technical Orders:

Parts List:

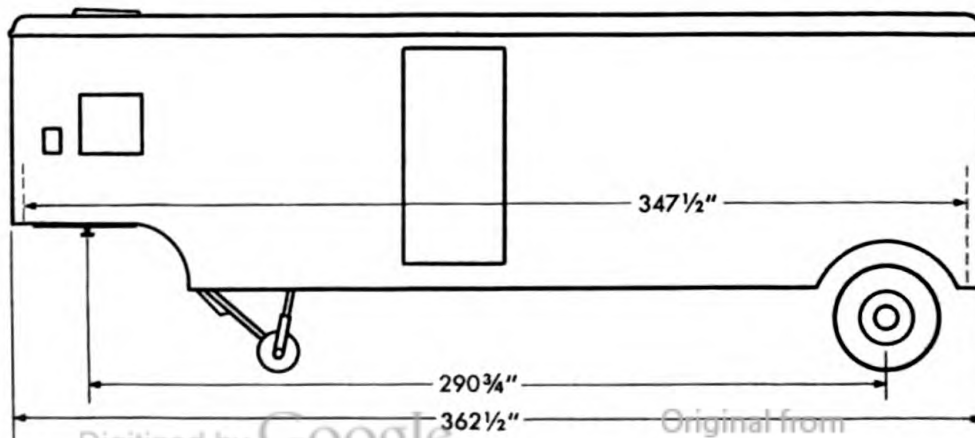
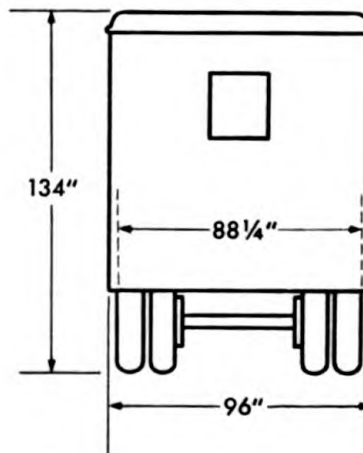
Manufacturer: Fruehauf Trailer Co.



RA PD 309065

Classification: Standard

Purpose: Used by Army Air Forces to process photographic negatives and print photographs.



SECTION XVI—SEMITRAILERS
SEMITRAILER, LABORATORY, PHOTOGRAPHIC
10-TON GROSS, TYPE N-1, N-2, N-3

GENERAL DATA

Body type.....	Van	
Weight.....	*Net (with equipment).....(lb)	10,730
	Payload.....(lb)	18,270
	Gross.....(lb)	29,000
Loading height.....	(in.)	33
Ground clearance.....	(in.)	17½
King pin to center of axle.....	(in.)	290¾
Tires.....	Operating.....	4
	Ply.....	10
	Size.....	9.00 x 20
Brakes.....	Air	
Towing tractor.....	Truck tractor, 4-5 ton, 4 x 4	
Shipping dimensions.....	(cu ft) 2,699.....(sq ft) 241	

ADDITIONAL DATA

Contains complete equipment necessary to develop and print photographs, air conditioner, gasoline heater, 110-volt generator driven by a 4-cylinder, air-cooled engine.

*Equipment installed in vehicle weighs approximately 1,730 pounds.

.....

TM 9-2800

**STANDARD MILITARY MOTOR VEHICLES
SEMITRAILER, SHOE REPAIR,
6-TON (10-TON GROSS)**

Technical Manual: Gerstenslager, TM 10-1315. Parts List: SNL G-569

Manufacturers: The Gerstenslager Co.; Trailmobile Co.

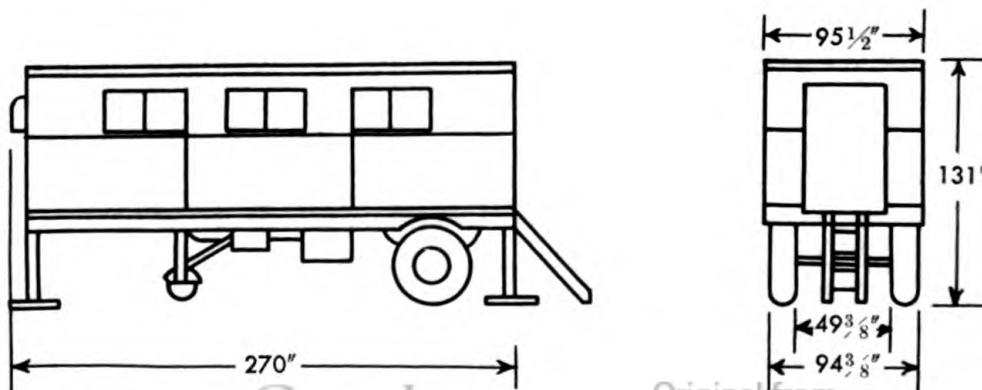


RA PD 66405

Vehicle illustrated above: The Gerstenslager Co., Model W-8120.

Classification: Standard

Purpose: Used by Quartermaster Corps to provide mobile shoe repair facilities.



Digitized by Google

SECTION XVI—SEMITRAILERS
SEMITRAILER, SHOE REPAIR,
6-TON (10-TON GROSS)

GENERAL DATA

Body type	Van	
Weight	Net(lb)	8,400
	Payload(lb)	12,000
	Gross(lb)	20,400
Loading height	(in.)	50
Tires	Operating	4
	Ply	10
	Size	9.00 x 20
Ground clearance	(in.)	14
Brakes	Air	
Towing tractor	Truck tractor, 4-5 ton, 4 x 4	
Shipping dimensions	(cu ft) (sq ft)	

ADDITIONAL DATA

.....

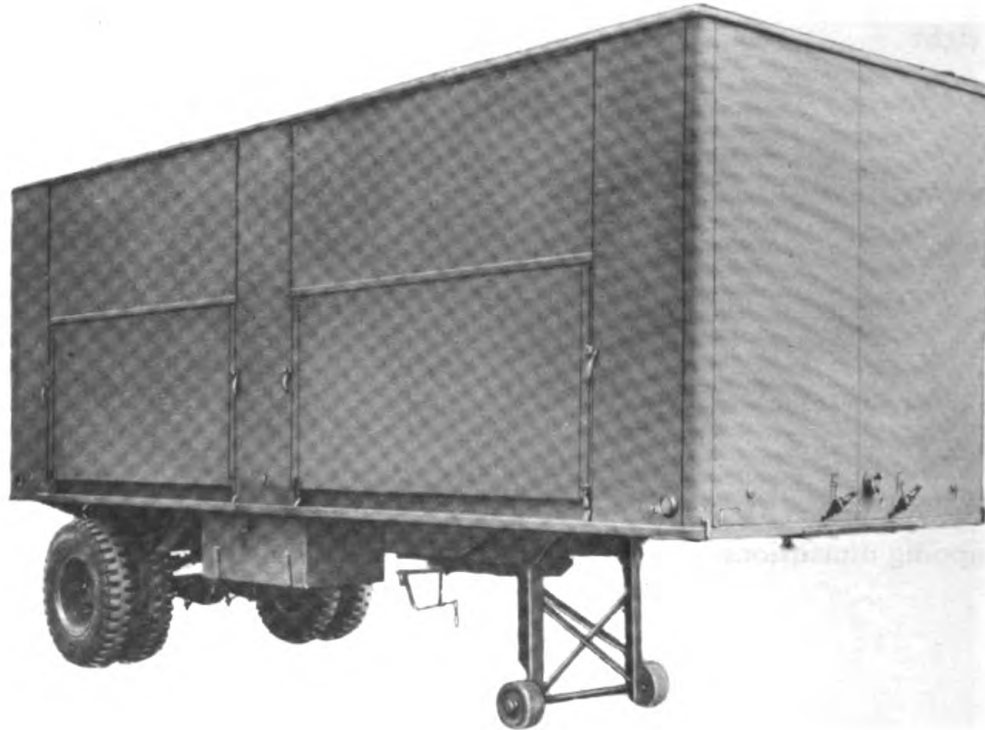
TM 9-2800

**STANDARD MILITARY MOTOR VEHICLES
SEMITRAILER, STERILIZER AND BATH,
6-TON (10-TON GROSS)**

**Technical Manuals: Strick, TM 10-1397;
Hyde, TM 10-1295.**

Parts List:

**Manufacturers: Gramm Truck and Trailer Corp.; Hyde Corp.; Lufkin
Foundry and Machine Co.; Strick Co.; Trailmobile.**

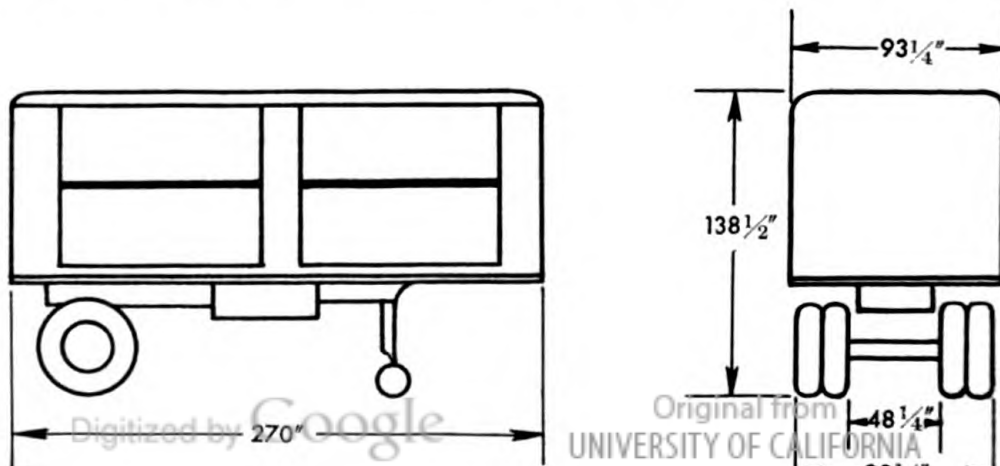


RA PD 66407

Vehicle illustrated above: Strick.

Classification: Standard

Purpose: To provide mobile facilities for sterilization and bath.



SECTION XVI—SEMITRAILERS
SEMITRAILER, STERILIZER AND BATH,
6-TON (10-TON GROSS)

GENERAL DATA

Body type	Van	
Weight	Net(lb)	9,500
	Payload(lb)	12,000
	Gross(lb)	21,500
Loading height	(in.)	49
Tires	Operating	4
	Ply	10
	Size	9.00 x 20
Ground clearance	(in.)	16½
Brakes	Air	
Towing tractor	Truck tractor, 4-5 ton, 4 x 4	
Shipping dimensions	(cu ft) (sq ft)	

ADDITIONAL DATA

.....

TM 9-2800

STANDARD MILITARY MOTOR VEHICLES
SEMITRAILER, TECHNICAL SUPPLY, 10-TON GROSS

Technical Orders:

Parts List:

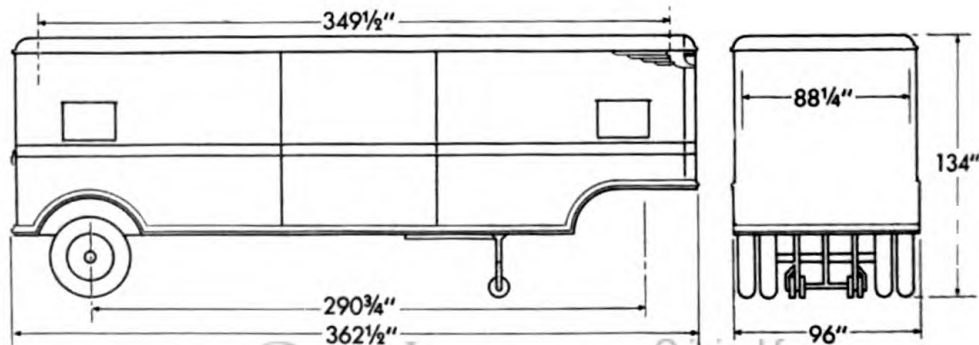
Manufacturer: Fruehauf Trailer Co.



RA PD 309063

Classification: Standard

Purpose: Used by Army Air Forces for storage, issue and transportation of aircraft spare parts and accessories.



Digitized by Google

Original from
UNIVERSITY OF CALIFORNIA

SECTION XVI—SEMITRAILERS
SEMITRAILER, TECHNICAL SUPPLY, 10-TON GROSS

GENERAL DATA

Body type	Van	
Weight	Net (lb)	9,000
	Payload (racks and shelving) . . (lb)	4,250
	Gross (lb)	13,250
	Gross (maximum allowable) . . (lb)	29,000
Loading height	(in.)	30
Ground clearance	(in.)	17½
Tread	(in.)	
Kingpin to center of axle	(in.)	290¾
Tires	Operating	4
	Ply	10
	Size	9.00 x 20
Brakes	Air	
Towing tractor	Truck tractor, 4-5 ton, 4 x 4	
Shipping dimensions	(cu ft) 2,697 (sq ft) 241	
	(cu ft) (disassembled)	1,954
Weight packed for export	(lb)	29,000

ADDITIONAL DATA

Equipment includes a 110-volt generator driven by a one-cylinder air-cooled engine, storage bins and heating and ventilating equipment.
 Winch capacity 15,000 lb., located back of cab on tractor

TM 9-2800

**STANDARD MILITARY MOTOR VEHICLES
SEMITRAILER, TEXTILE REPAIR,
6-TON (10-TON GROSS)**

Technical Manuals: Carter, TM 10-1213;
Utility, TM 10-1317.

Parts List: SNL G-588
(Utility)
SNL G-534
(Carter)

Manufacturers: Carter Mfg. Co.; Utility Trailer Mfg. Co.

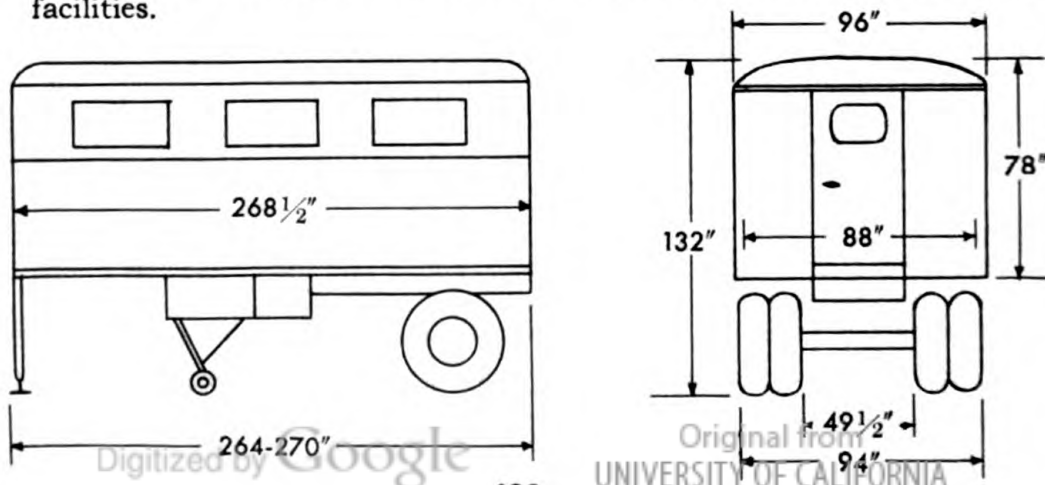


RA PD 66409

Vehicle illustrated above: Carter

Classification: Standard

Purpose: Used by Quartermaster Corps to provide mobile textile repair facilities.



SECTION XVI—SEMITRAILERS
SEMITRAILER, TEXTILE REPAIR,
6-TON (10-TON GROSS)

GENERAL DATA

Body type	Van	
Weight	Net	(lb) 8,500
	Payload	(lb) 12,000
	Gross	(lb) 20,500
Loading height	(in.)	50
Tires	Operating	4
	Ply	10
	Size	9.00 x 20
Ground clearance	(minimum) (in.)	14
Brakes	Air	
Towing tractor	Truck tractor, 4-5 ton, 4 x 4	
Shipping dimensions	(cu ft)	(sq ft)

ADDITIONAL DATA

.....

TM 9-2800

**STANDARD MILITARY MOTOR VEHICLES
SEMITRAILER, CARGO, 7-TON (10-TON GROSS)**

Technical Manual: TM-9-882.

Parts List: SNL G-596

Manufacturers: Various

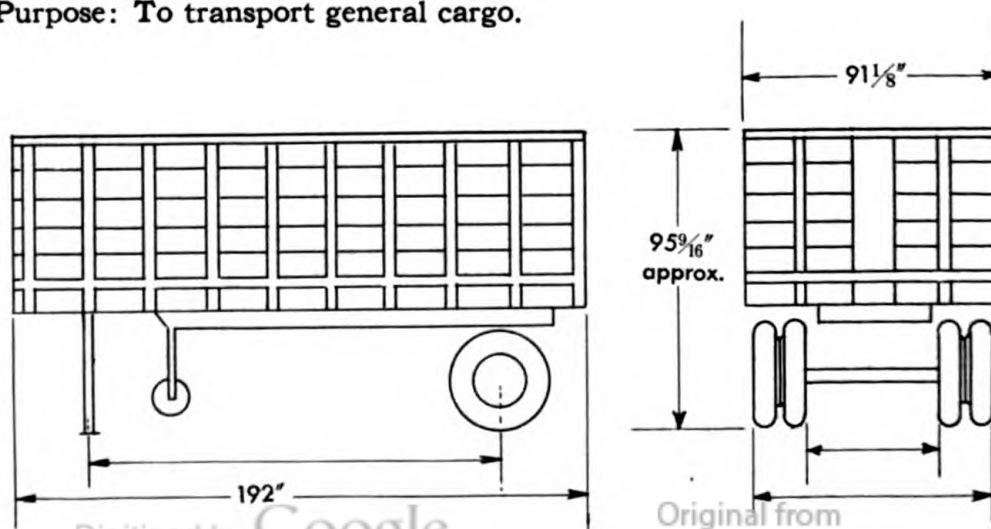


RA PD 308969

Vehicle illustrated above: Highway Trailer. Co.

Classification: Substitute standard

Purpose: To transport general cargo.



Digitized by Google

SECTION XVI—SEMITRAILERS
SEMITRAILER, CARGO, 7-TON (10-TON GROSS)

GENERAL DATA

Body type	Cargo—wood or steel	
Weight	Net, wood(lb)	5,100
	Net, steel(lb)	5,500
	Payload(lb)	14,000
	Gross, wood(lb)	19,100
	Gross, steel(lb)	19,500
Loading height	(in.)	48½
Ground clearance	(in.)	15½
Tread	(in.)	67
Tires	Operating	4
	Spare	1
	Ply	10
	Size	7.50 x 20
Brakes	Vacuum	
Towing tractor	Truck, 2½-ton, 6 x 6	
Shipping dimensions	(cu ft)	(sq ft)

ADDITIONAL DATA

Similar vehicle manufactured by: Carter Mfg. Co.; Edwards Iron Works; Gramm Motor Truck & Trailer Corp.; Hyde Corp.; Kentucky Mfg. Corp.; Lufkin Foundry & Machine Co.; W. C. Nabors Co.; Pointer Willamette Co, and Whitehead & Kales Co.

.....

TM 9-2800

**STANDARD MILITARY MOTOR VEHICLES
SEMITRAILER, LOW PLATFORM,
7½-TON (12-TON GROSS)**

Technical Manual: TM 10-1228

Parts List: SNL G-600

Manufacturers: American Body and Trailer Co.; Hobbs Mfg. Co.; Lufkin Foundry & Machine Co.; Steel Products Co.; Truck Engineering Corp.

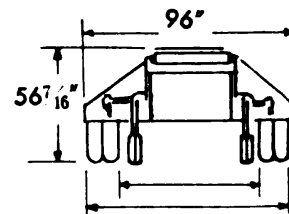
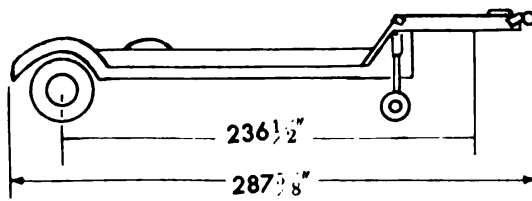


RA PD 308978

Vehicle illustrated above: Truck Engineering Corp.

Classification: Standard

Purpose:



SECTION XVI—SEMITRAILERS
SEMITRAILER, LOW PLATFORM,
7½-TON (12-TON GROSS)

GENERAL DATA

Body type.....	Platform	
Weight.....	Net.....(lb)	7,000
	Payload.....(lb)	15,000
	Gross.....(lb)	22,000
Ground clearance.....	(in.)	12
Tread.....	(in.)	
Tires.....	Operating.....	4
	Spare.....	1
	Ply.....	12
	Size.....	9.00 x 15
Brakes.....	Vacuum	
Towing tractor.....	Truck tractor, 2½-ton, 4 x 2	
Shipping dimensions.....(cu ft)(sq ft)	

ADDITIONAL DATA

.....

STANDARD MILITARY MOTOR VEHICLES
SEMITRAILER, 13-TON GROSS, K-78

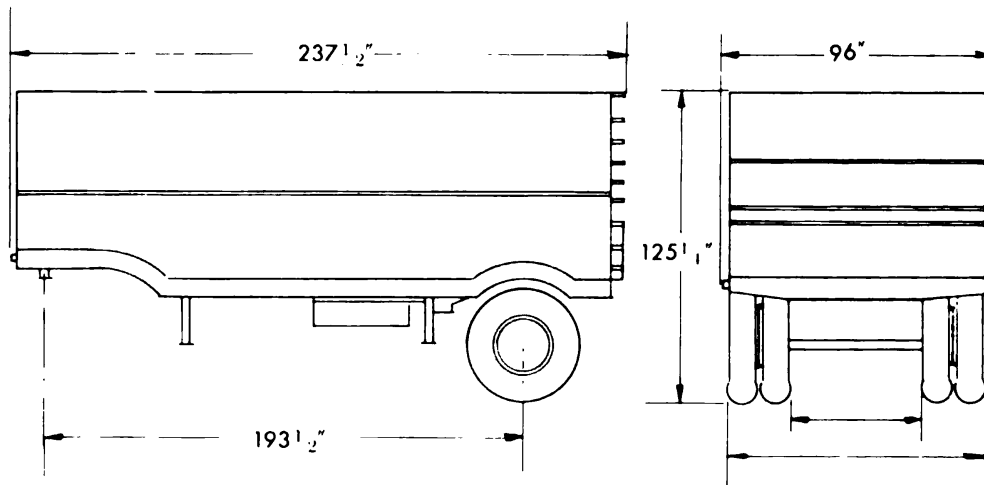
Technical Manuals:

Parts List:

Manufacturer: Fruehauf Trailer Co.

Classification: Standard

Purpose: Used by Signal Corps.



SECTION XVI—SEMITRAILERS
SEMITRAILER, 13-TON GROSS, K-78

GENERAL DATA

Body type	Van	
Weight	Net	(lb) 9,500
	Payload	(lb) 10,000
	Gross	(lb) 19,500
Loading height	(in.)	
Ground clearance	(in.)	17½
Tread	(in.)	
Tires	Operating	4
	Ply	10
	Size	9.00 x 20
Brakes	Air	
Towing tractor	Truck tractor, 5-ton, 4 x 4	
Shipping dimensions	(cu ft) 1,556	(sq ft)
Weight packed for export ... (loaded)	(lb)	20,000

ADDITIONAL DATA

No photo available at date of publication.

.....

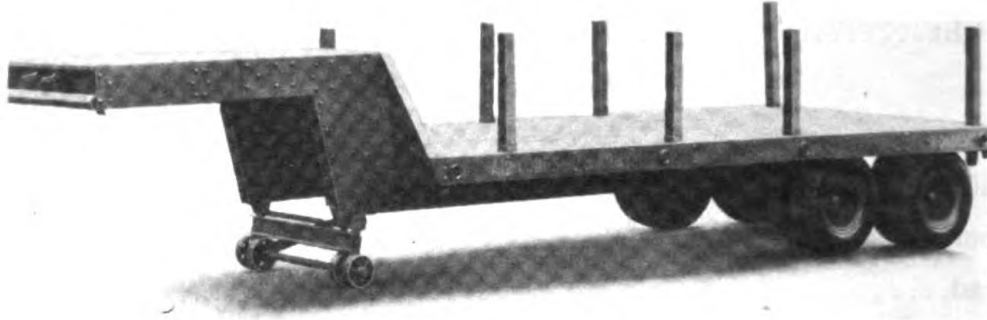
TM 9-2800

**STANDARD MILITARY MOTOR VEHICLES
SEMITRAILER, CARRYALL, 15-TON**

Technical Orders:

Parts List:

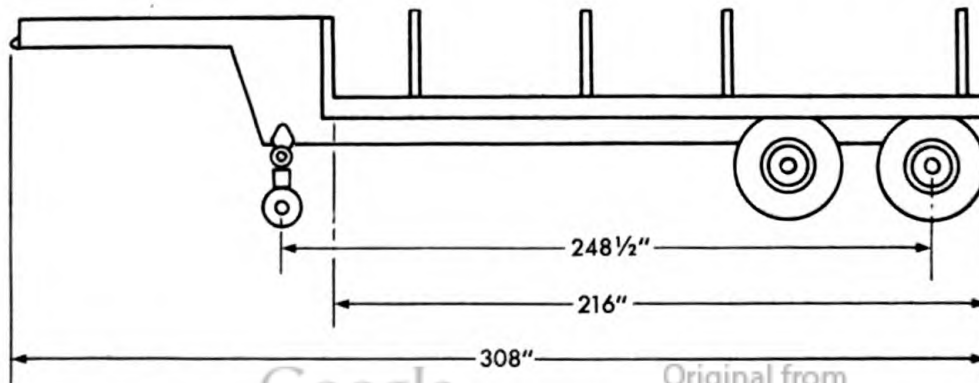
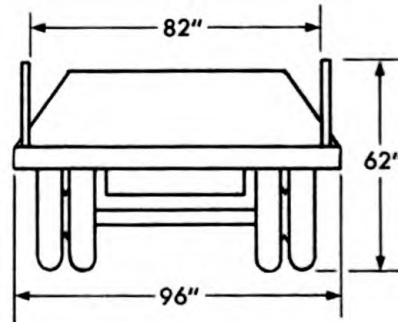
Manufacturer: Trailer Company of America.



RA PD 309050

Classification: Standard

Purpose: Used by Army Air Forces for transporting heavy maintenance vehicles such as mowers, graders, trenchers, rollers and for transportation of supplies and equipment.



SECTION XVI—SEMITRAILERS
SEMITRAILER, CARRYALL, 15-TON

GENERAL DATA

Body type	Platform	
Weight	Net(lb)	9,210
	Payload(lb)	30,000
	Gross(lb)	39,210
Loading height	(in.)	35
Ground clearance	(in.)	8
Tread	(in.)	
Kingpin to center of bogie	(in.)	248 $\frac{1}{2}$
Tires	Operating	8
	Ply	10
	Size	7.50 x 15
Brakes	Air	
Towing tractor	Truck tractor, 4-5 ton, 4 x 4	
Shipping dimensions	(cu ft) 528.....(sq ft) 174	
	(cu ft) (disassembled).....	500

ADDITIONAL DATA

.....

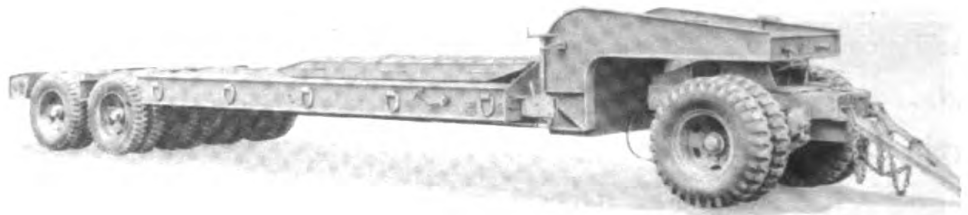
TM 9-2800

STANDARD MILITARY MOTOR VEHICLES
SEMITRAILER, FLAT BED, 20-TON, WITH DOLLY

Technical Manuals: See additional data

Parts List:

Manufacturers: Fruehauf Trailer Co., LaCrosse Trailer & Equipment Co.,
Rogers Bros. Co., Timpte Bros.

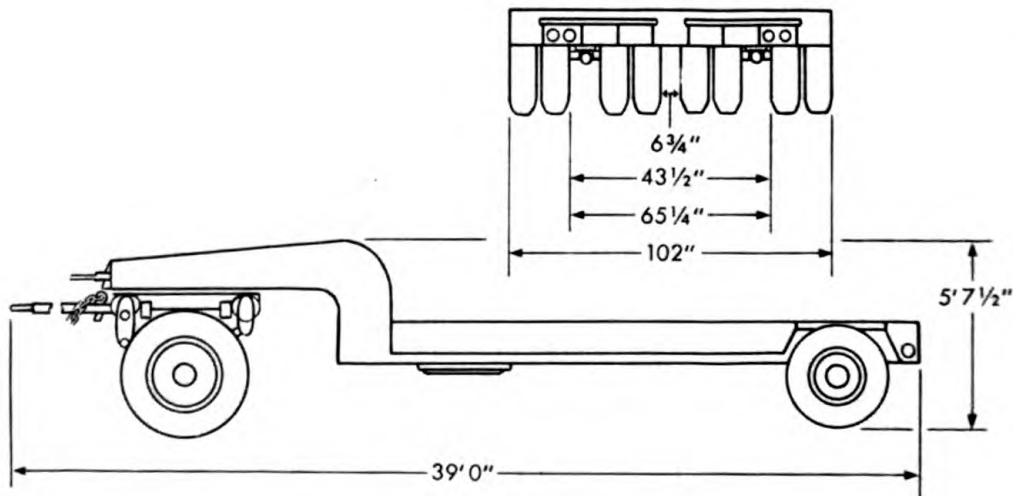


RA PD 309000

Vehicle illustrated above: Fruehauf

Classification: Standard

Purpose: Used by Corps of Engineers to transport heavy equipment.



SECTION XVI—SEMITRAILERS
SEMITRAILER, FLAT BED, 20-TON, WITH DOLLY

GENERAL DATA

Body type.....	Full flat bed		
		Mini-	Maxi-
		mum	mum
Weight	Net (lb)	12,790	16,700
	Payload (lb)	40,000	40,000
	Gross (lb)	52,790	56,700
Loading height, empty(in.)	36	40 ¹ / ₂
Ground clearance(in.)	10	
Tread(in.)		
Tires	Operating	20	
	Spares ... 7.50 x 20, 9.00 x 20	1	
	Ply ... Front 14 ... Rear 8		
	Size:		
	Front ..12.00 x 20, 9.00 x 20		
	Rear 7.50 x 20		
Brakes	Air and hand parking		
Towing tractors	Truck tractor, 5-6 ton, 4 x 4		
	6-ton, 6 x 6		
Shipping dimensions	(cu ft) 1,885.... (sq ft) 330		

ADDITIONAL DATA

Trailers supplied by various manufacturers vary in weight. The figures given are the maximum and minimum values.

Fruehauf Trailer Co., Model CPT-20, TM 5-9034.

LaCrosse Trailer and Equipment Co., Model DF 6.

Rogers Bros. Company, Model LKS-620.

Rogers Bros. Company, Model H-20-L-S-14.

Timpte Bros.

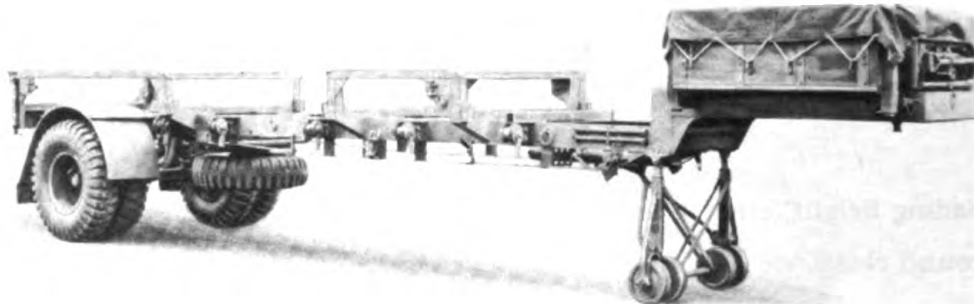
TM 9-2800

**STANDARD MILITARY MOTOR VEHICLES
SEMITRAILER, 10-TON PONTON**

Technical Manual: TM 5-9006

Parts List:

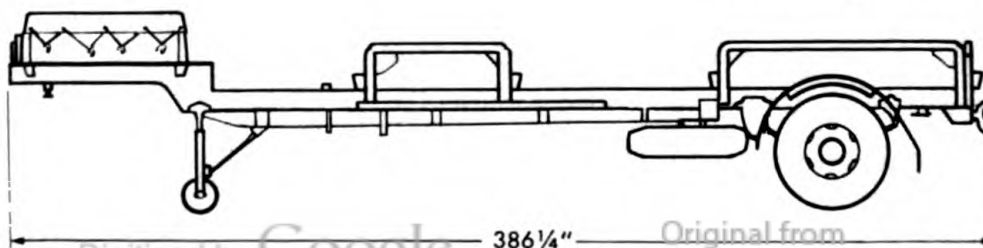
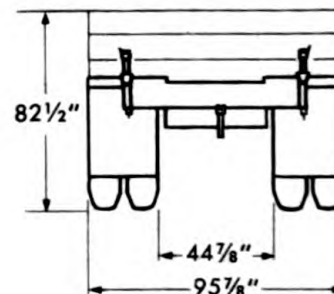
Manufacturer: Fruehauf Trailer Co.



RA PD 309022

Classification: Standard

Purpose: Used by Corps of Engineers to transport ponton bridge equipment.



Original from
UNIVERSITY OF CALIFORNIA

SECTION XVI—SEMITRAILERS
SEMITRAILER, 10-TON PONTON

GENERAL DATA

Body type.....	Drop frame	
Weight.....	Net.....(lb)	7,200
	Payload.....(lb)	18,000
	Gross.....(lb)	25,200
Loading height.....	(in.)	
Ground clearance.....	(in.)	16
Ground pressure.....	(lbs per sq in.)	45
Tread.....	(in.)	
Tires.....	Operating.....	4
	Spare.....	1
	Ply.....	14
	Size.....	12.00 x 20
Brakes.....	Air	
Towing tractor.....		
Shipping dimensions.....	(cu ft) 1,785.....	(sq ft) 257

ADDITIONAL DATA

.....

TM 9-2800

**STANDARD MILITARY MOTOR VEHICLES
SEMITRAILER, 25-TON PONTON**

Technical Manuals: TM 5-9012, TM 5-9014

Parts List:

Manufacturers: Electric Wheel Co.; Fruehauf Trailer Co.; Trailer Company of America.

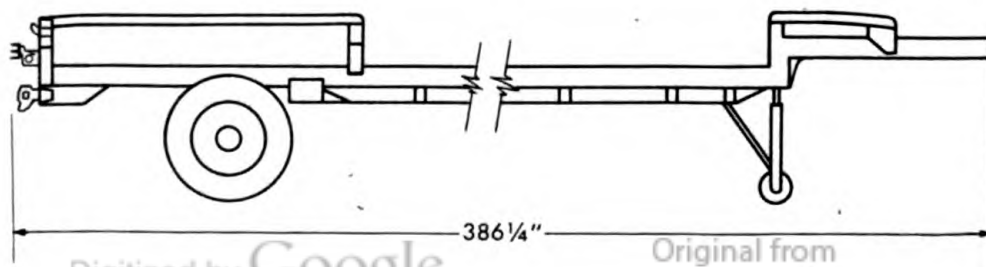
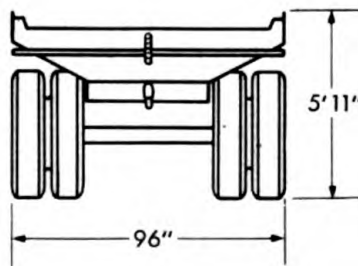


RA PD 309034

Vehicle illustrated above: Fruehauf Trailer Co.

Classification: Standard

Purpose: Used by Corps of Engineers to transport ponton bridge equipment.



Digitized by Google

SECTION XVI—SEMITRAILERS
SEMITRAILER, 25-TON PONTON

GENERAL DATA

Body type	Drop frame		
		Mini-	Maxi-
		mum	mum
Weight	Net (lb)	7,200	7,660
	Payload (lb)	10,148	18,000
	Gross (lb)	17,808	25,200
Loading height	(in.)		55½
Ground clearance	(in.)		16
Ground pressure	(lbs per sq in.)		45
Tread	(in.)		
Tires	Operating		4
	Spares		1
	Ply		14
	Size	12.00 x 20	
Brakes	Air		
Towing tractor	Truck tractor, 5-6 ton, 4 x 4		
Shipping dimensions	(cu ft) 1,536	(sq ft) 257	

ADDITIONAL DATA

.....

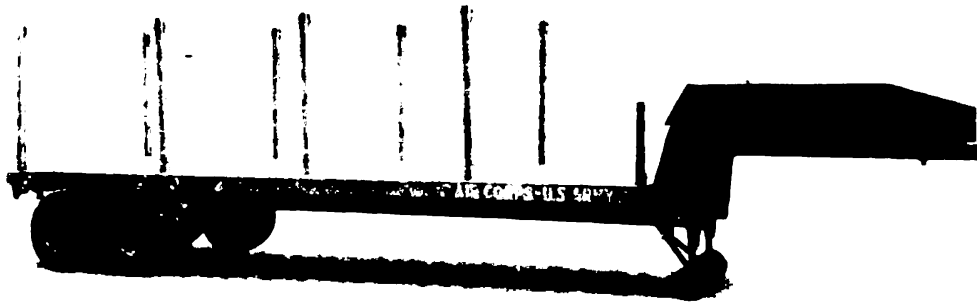
TM 9-2800

STANDARD MILITARY MOTOR VEHICLES
SEMITRAILER, WRECKING, 25-FOOT, TYPE C-2

Technical Orders:

Parts List:

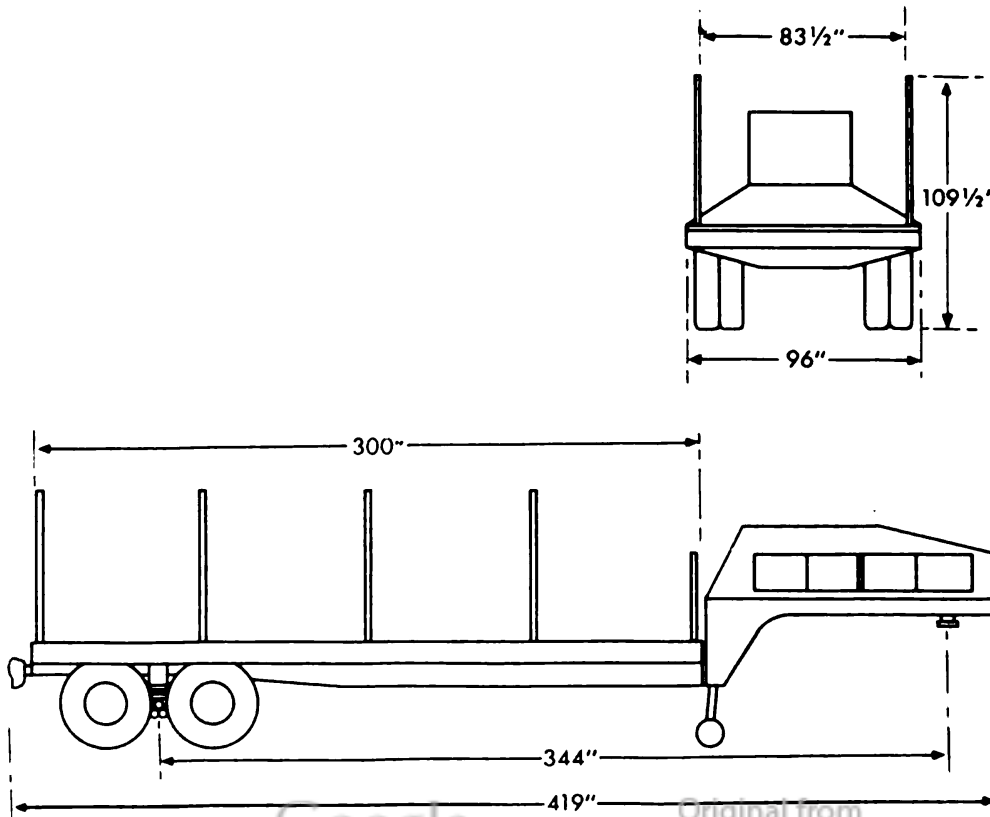
Manufacturer: Trailer Co. of America.



RA PD 309046

Classification: Standard

Purpose: Used by Army Air Forces for transporting salvaged and new aircraft; also for general purpose hauling.



SECTION XVI—SEMITRAILERS
SEMITRAILER, WRECKING, 25-FOOT, TYPE C-2

GENERAL DATA

Body type	Flat bed	
Weight	Net	(lb) 10,850
	Payload	(lb) 25,000
	Gross	(lb) 35,850
Loading height		(in.) 48
Ground clearance		(in.) 10
Tread		(in.)
Tires	Operating	8
	Ply	
	Size	10.00 x 15
Brakes		Air
*Towing tractor		
Shipping dimensions	(cu ft) 1,150	(sq ft) 236
	(cu ft) (disassembled)	950
Weight packed for export		(lb) 10,850

ADDITIONAL DATA

*Towed by the type C-2 wrecking truck tractor. May also be towed by the standard Army 4-5 ton, 4 x 4 truck tractor (Autocar or Federal) which is used for towing the AAF type F-2 and type F-2A fuel servicing semitrailers.

.....

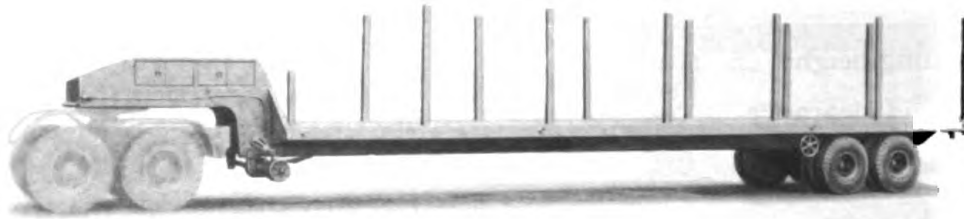
TM 9-2800

STANDARD MILITARY MOTOR VEHICLES
SEMITRAILER, WRECKING, 40-FOOT,
12½-TON, TYPE C-2

Technical Orders:

Parts List:

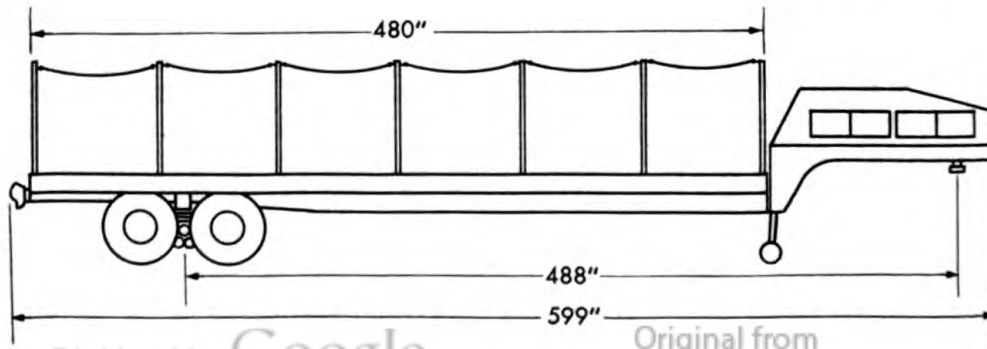
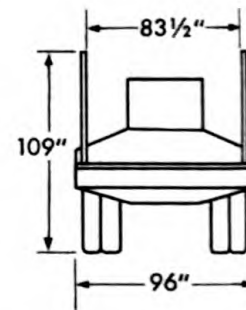
Manufacturer: Trailer Co. of America.



RA PD 309048

Classification: Standard

Purpose: Used by Army Air Forces for transporting salvaged and new aircraft; also for general purpose hauling.



**SECTION XVI—SEMITRAILERS
SEMITRAILER, WRECKING, 40-FOOT,
12½-TON, TYPE C-2**

GENERAL DATA

Body type.....	Flat bed	
Weight.....	Net.....(lb)	13,790
	Payload.....(lb)	25,000
	Gross.....(lb)	38,790
Loading height.....	(in.)	48
Ground clearance.....	(in.)	10
Kingpin to center of bogie.....	(in.)	488
Tires.....	Operating.....	8
	Ply.....	
	Size.....	10.00 x 15
Brakes.....	Air	
*Towing tractor.....		
Shipping dimensions.....	(cu ft) 1,727.....(sq ft) 361	
	(cu ft) (disassembled).....	1,500
Weight packed for export.....	(lb)	13,790

ADDITIONAL DATA

*Towed by the type C-2 wrecking truck tractor. May also be towed by the standard Army 4-5-ton, 4 x 4 truck tractor (Autocar or Federal), which is used for towing the AAF type F-2 and type F-2A fuel servicing semitrailers.

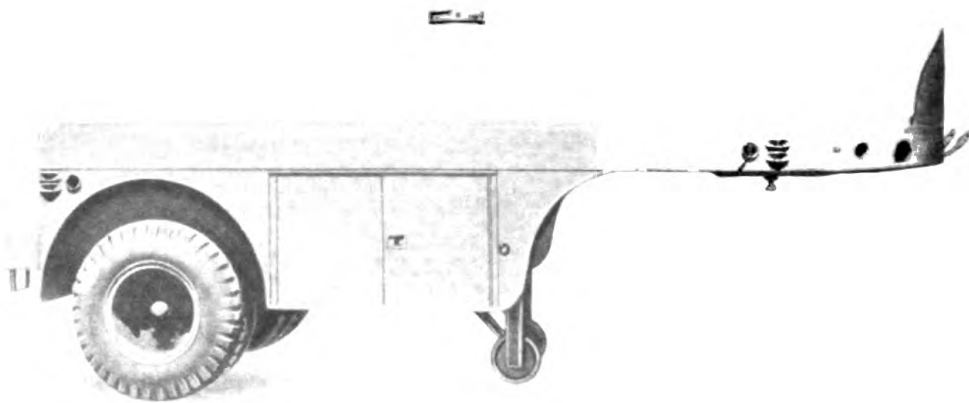
TM 9-2800

STANDARD MILITARY MOTOR VEHICLES
SEMITRAILER, TANK, WATER, 1,500-GAL.

Technical Manual: TM 5-5000.

Parts List:

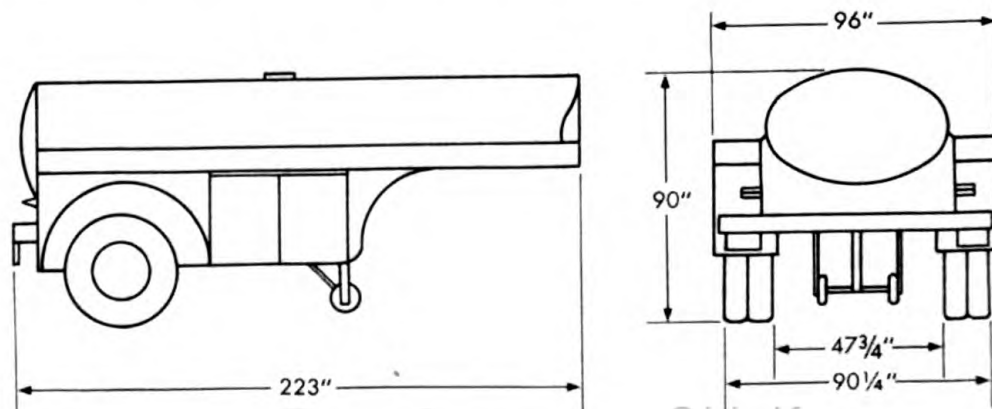
Manufacturer: Columbian Steel Tank Co.



RA PD 309012

Classification: Standard

Purpose: Used by Corps of Engineers to transport and dispense water.



Digitized by Google

SECTION XVI—SEMITRAILERS
SEMITRAILER, TANK, WATER, 1,500-GAL.

GENERAL DATA

Body type	Frameless, water tank (gal)	1,500
Weight	Net (lb)	7,500
	Payload (lb)	12,450
	Gross (lb)	19,450
Loading height	(in.)	
Ground clearance	(in.)	16
Tread	(in.)	
Tires	Operating	4
	Spare	1
	Ply	10
	Size	9.00 x 20
Brakes	(Bendix-Westinghouse) Air	
Towing tractor	Truck tractor, 5-6 ton, 4 x 4	
Shipping dimensions	(cu ft) 1,115 (sq ft)	
Weight packed for export	(lb)	7,650

ADDITIONAL DATA

Wheelbase (tractor to trailer)	(in.)	136
.		
.		
.		

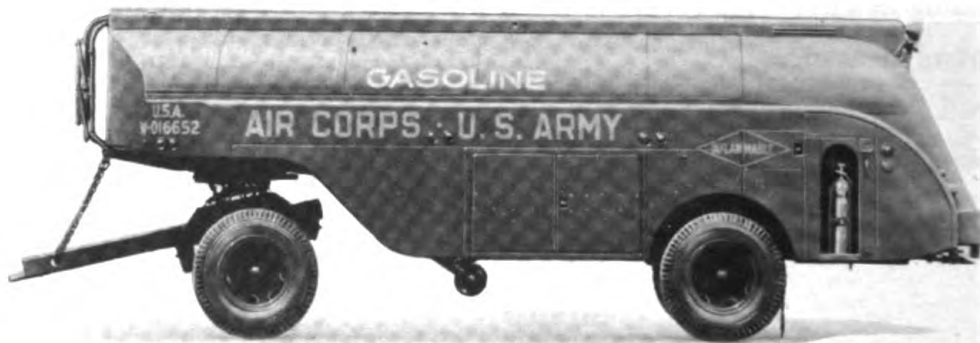
TM 9-2800

**STANDARD MILITARY MOTOR VEHICLES
SEMITRAILER, FUEL SERVICING,
2,000 GAL., TYPE F-2**

Technical Orders: T. O. 19-25-24.

Parts List:

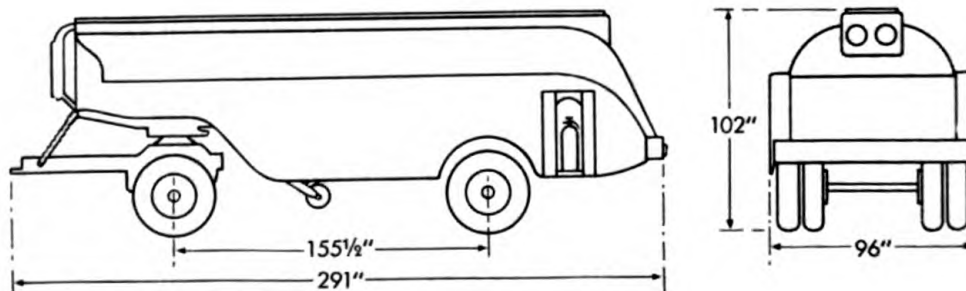
Manufacturer: The Heil Co.



RA PD 309044

Classification: Standard

Purpose: Used by Army Air Forces to transport aircraft engine fuel from distributing points to flying fields, and to service aircraft.



SECTION XVI—SEMITRAILERS
SEMITRAILER, FUEL SERVICING,
2,000 GAL., TYPE F-2A

GENERAL DATA

Body type.....	Tank	
Weight.....	Net.....(lb)	8,600
	Payload.....(lb)	12,000
	Gross.....(lb)	20,600
Loading height.....	(in.)	
Ground clearance.....	(in.)	
Tread.....	(in.)	
Kingpin to center of axle.....	(in.)	155 ¹ / ₂
Tires.....	Operating.....	4
	Ply.....	10
	Size.....	9.00 x 20
Brakes.....	Air	
Towing tractor.....	Truck tractor, 4-5 ton, 4 x 4	
Shipping dimensions.....	(cu ft) 1,632.....(sq ft) 204	

ADDITIONAL DATA

This vehicle is the same as the type F-2 fuel servicing semitrailer, except that the side compartment hose reels have been eliminated.

.....

.....

Generated on 2013-05-07 10:11 GMT / http://hdl.handle.net/2027/uc1.b3244022
 Public Domain, Google-digitized / http://www.hathitrust.org/access_use#pd-google

TM 9-2800

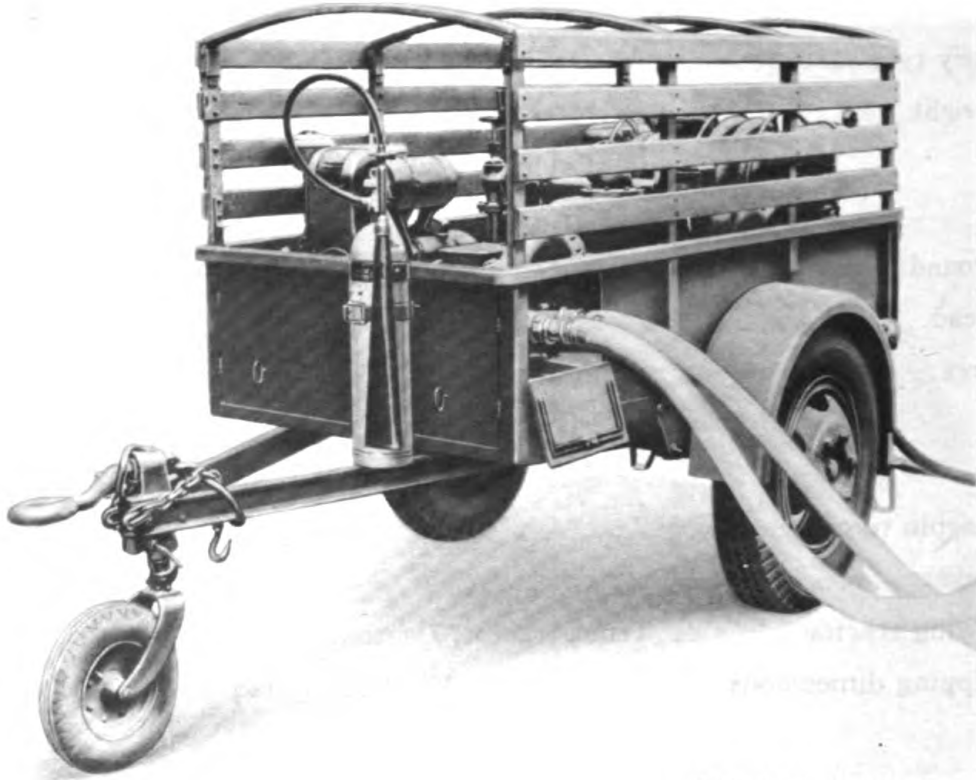
**STANDARD MILITARY MOTOR VEHICLES
DOLLY, FUEL SERVICING, 1-TON, TYPE D-2**

Technical Manuals:

Parts List:

Manufacturers: Equipment: The Heil Co.

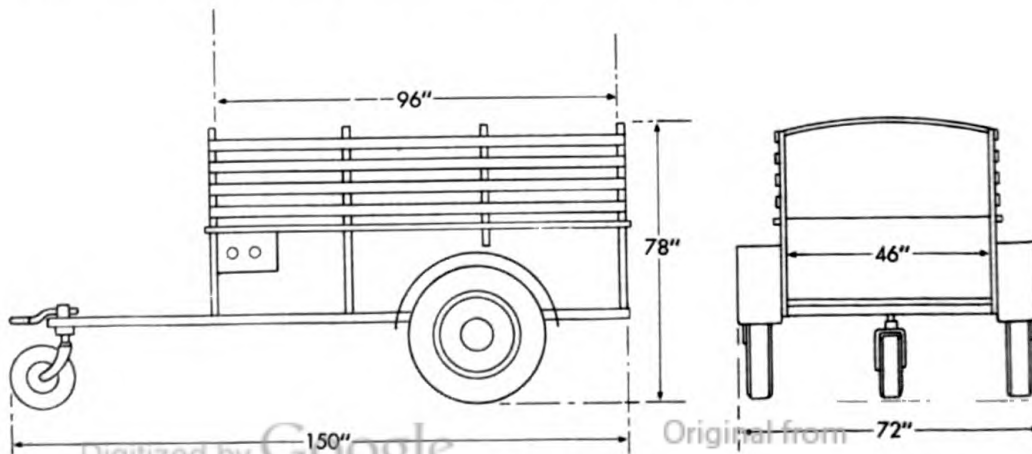
Trailer: Standard Cargo, 1 Ton.



RA PD 309059

Classification: Standard

Purpose: Used by Army Air Forces to convert commercial gasoline transports to aircraft servicing vehicles as a stand-by unit for refueling pits and for pumping from portable bulk storage.



Digitized by Google

Original from
UNIVERSITY OF CALIFORNIA

SECTION XVII—DOLLIES
DOLLY, FUEL SERVICING, 1-TON, TYPE D-2

GENERAL DATA

Body type	Cargo	
Weight	Net(lb)	1,360
	Payload (equipment)(lb)	1,990
	Gross(lb)	3,350
Loading height	(in.)	28
Ground clearance		
Tread		
Tires	Operating	2
	Ply	10
	Size	7.50 x 20
Brakes		
Towing tractor		
Shipping dimensions	(cu ft) 488	(sq ft) 75

ADDITIONAL DATA

Equipment consists of a fluid segregator, 80 GPM fuel transfer pump, two hose reels with hose and nozzles. Pump is driven by an air-cooled gasoline engine. Basic vehicle is standard 1-ton cargo trailer.

.....

.....

.....

.....

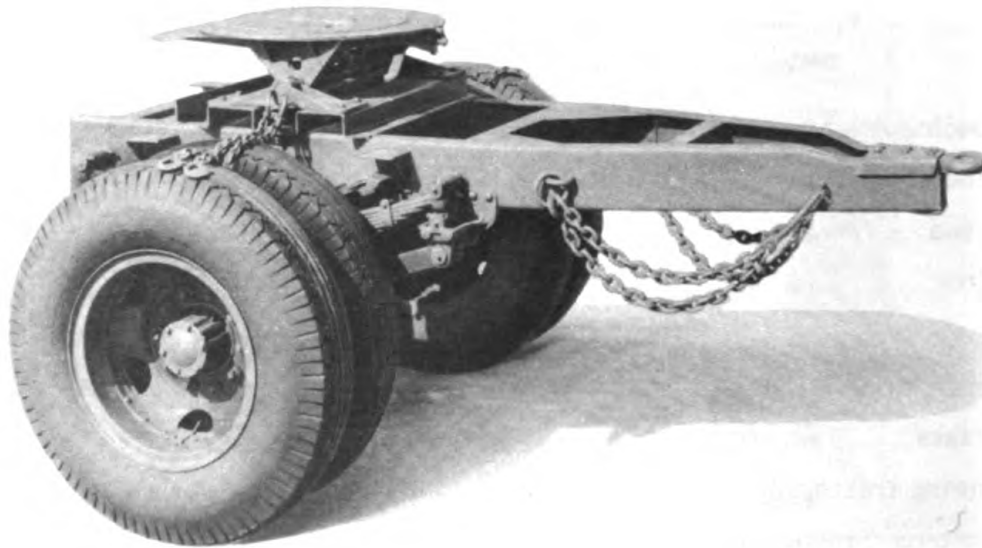
TM 9-2800

**STANDARD MILITARY MOTOR VEHICLES
DOLLY, TRAILER CONVERTER, FUEL SERVICING,
TYPE F-1 OR F-1A**

Technical Manuals:

Parts List:

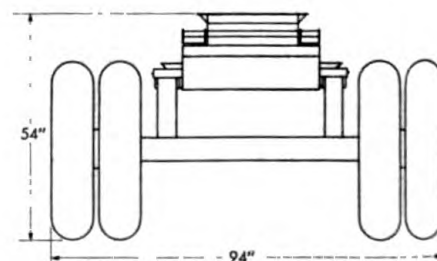
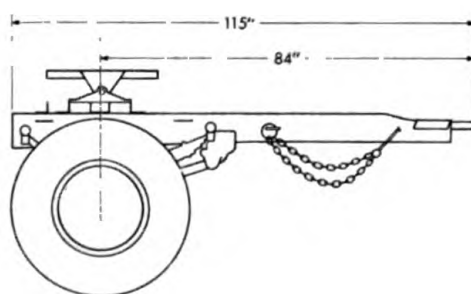
Manufacturer: Standard Steel Works.



RA PD 309087

Classification: Standard

Purpose: Used by the Army Air Forces to convert F-1 and F-1A fuel servicing semitrailer to full trailer so it can be towed by any Army prime mover.



Original from
UNIVERSITY OF CALIFORNIA

Digitized by Google

SECTION XVII—DOLLIES
DOLLY, TRAILER CONVERTER, FUEL SERVICING,
TYPE F-1 OR F-1A

GENERAL DATA

Body type		
Weight	Net (lb)	2,300
	Payload (lb)	
	Gross (lb)	
Loading height	(in.)	53½
Ground clearance	(in.)	
Tires	Operating	4
	Ply	12
	Size	10.00 x 22
Brakes		
Towing tractor	Truck tractor, 7½-ton	6 x 6
Shipping dimensions	(cu ft) 250.....	(sq ft)

ADDITIONAL DATA

.....

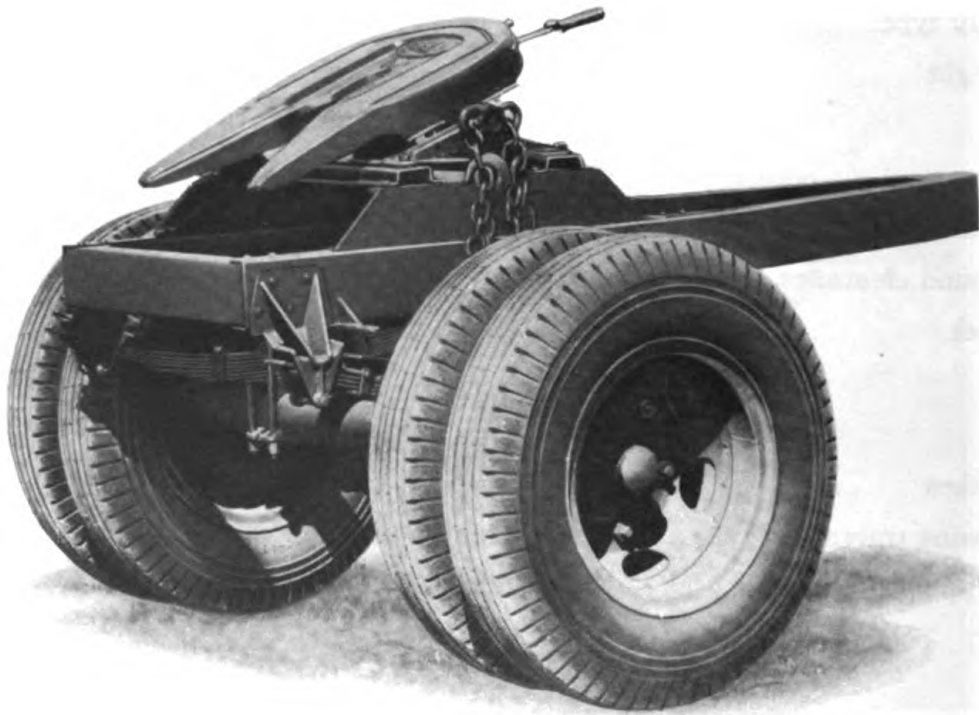
TM 9-2800

**STANDARD MILITARY MOTOR VEHICLES
DOLLY, TRAILER CONVERTER, FUEL SERVICING,
TYPE F 2 OR F 2A**

Technical Manuals:

Parts List:

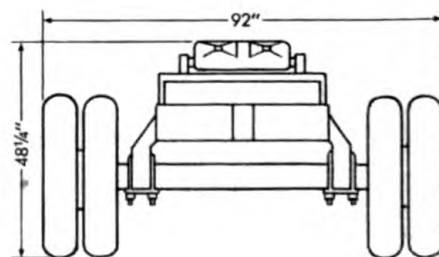
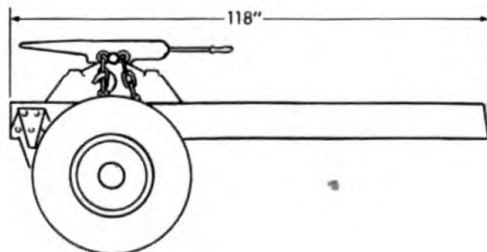
Manufacturers:



RA PD 309085

Classification: Standard

Purpose: Used by the Army Air Forces to convert instrument semitrailer to full trailer so that it can be towed by any Army prime mover.



Digitized by Google

Original from
UNIVERSITY OF CALIFORNIA

SECTION XVII—DOLLIES
DOLLY, TRAILER CONVERTER, FUEL SERVICING,
TYPE F 2 OR F 2A

GENERAL DATA

Body type.....		
Weight.....	Net.....(lb)	2,550
	Payload.....(lb)	15,000
	Gross.....(lb)	17,550
Loading height.....	(in.)	48 ¹ / ₂
Ground clearance.....	(in.)	
Tires.....	Operating.....	4
	Ply.....	10
	Size.....	9.00 x 20
Brakes.....		
Towing tractor.....		
Shipping dimensions.....	(cu ft) (sq ft)	

ADDITIONAL DATA

.....

.....

.....

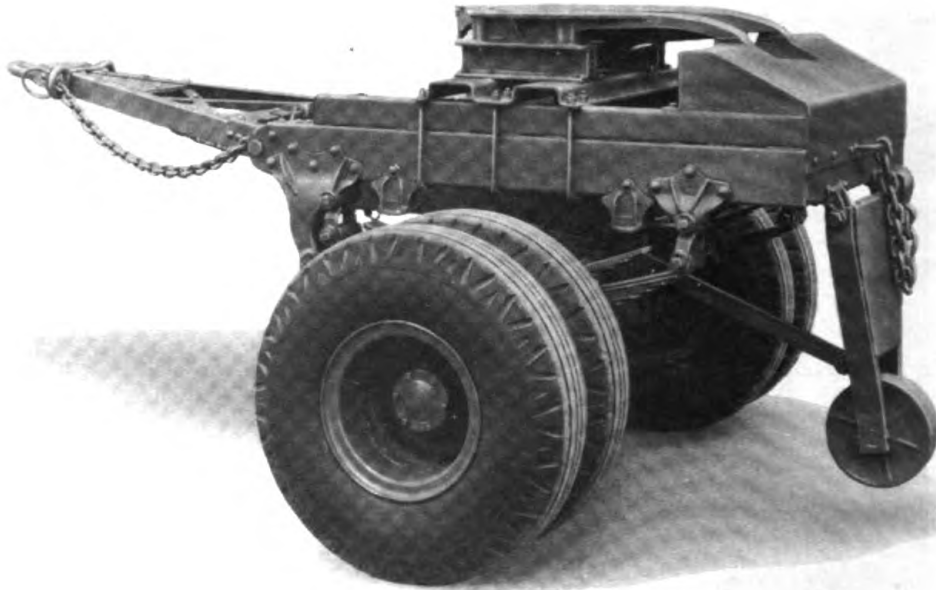
.....

STANDARD MILITARY MOTOR VEHICLES
DOLLY, TRAILER CONVERTER, WRECKING, TYPE C-2

Technical Manuals:

Parts List:

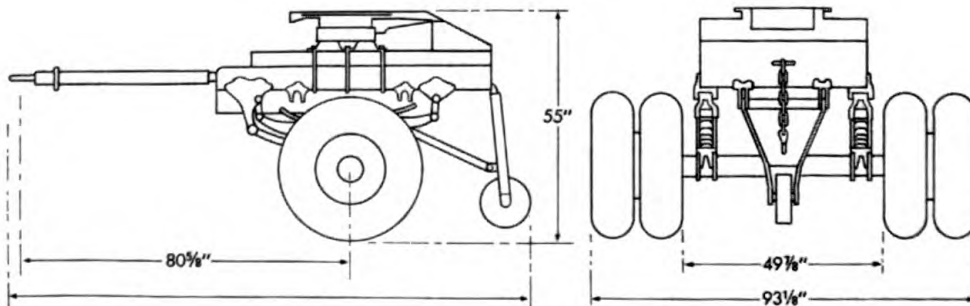
Manufacturer: Trailer Company of America.



RA PD 309073

Classification: Standard

Purpose: Used by Army Air Forces to convert semitrailer to full trailer so it can be towed by any Army prime mover.



SECTION XVII—DOLLIES
DOLLY, TRAILER CONVERTER, WRECKING, TYPE C-2

GENERAL DATA

Body type		
Weight	Net(lb)	2,485
	Payload(lb)	14,000
	Gross(lb)	16,485
Loading height	(in.)	55
Ground clearance	(in.)	
Tread	(in.)	
Tires	Operating	4
	Ply	12
	Size	10.00 x 15
Brakes		
Towing tractor	Truck tractor wrecker, type C-2	
Shipping dimensions	(cu ft) 256.....(sq ft)	

ADDITIONAL DATA

.....

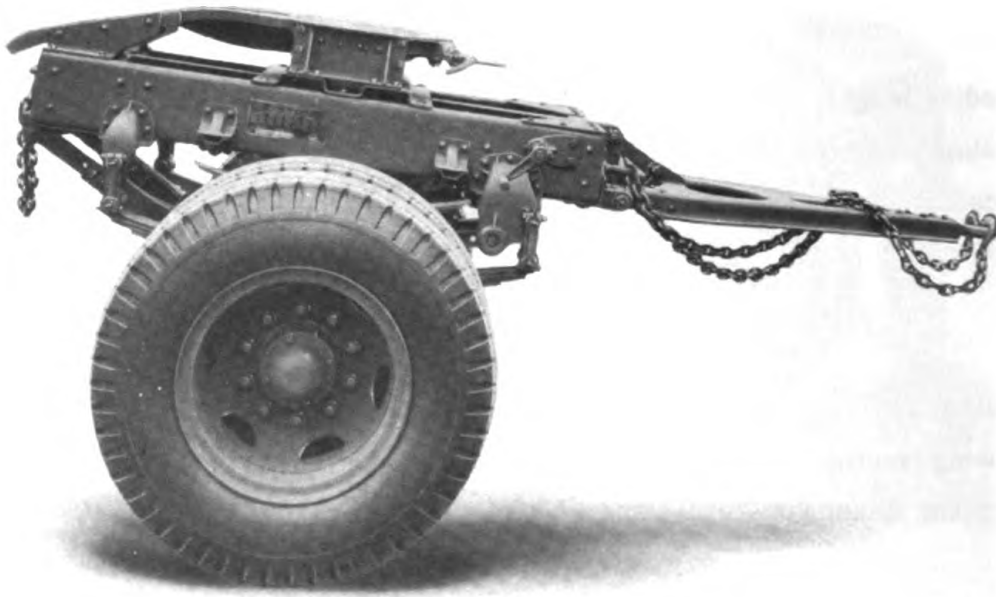
TM 9-2800

**STANDARD MILITARY MOTOR VEHICLES
DOLLY, TRAILER CONVERTER, TECHNICAL SUPPLY,
FIELD SHOP AND INSTRUMENT SHOP**

Technical Orders:

Parts Lists:

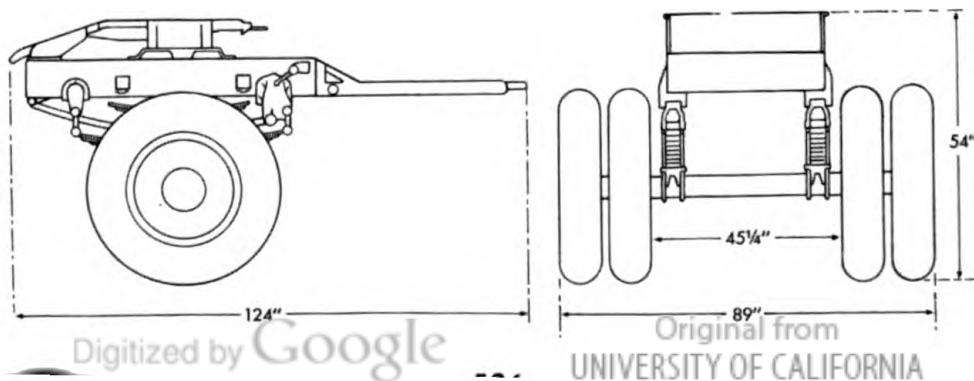
Manufacturer: Fruehauf Trailer Co.



RA PD 309079

Classification: Standard

Purpose: Used by Army Air Forces to convert a semitrailer to a full trailer (4-wheel).



Digitized by Google

SECTION XVII—DOLLIES
DOLLY, TRAILER CONVERTER, TECHNICAL SUPPLY,
FIELD SHOP AND INSTRUMENT SHOP

GENERAL DATA

Body type.....		
Weight.....	Net.....(lb)	2,760
	Payload.....(lb)	16,000
	Gross.....(lb)	18,760
Loading height.....	(in.)	
Ground clearance.....	(in.)	17½
Tread.....	(in.)	
Tires.....	Operating.....	4
	Ply.....	10
	Size.....	9.00 x 20
Brakes.....	Air	
Towing tractor.....	Truck, 4-5 ton, 4 x 4	
Shipping dimensions.....	(cu ft) 364.....(sq ft) 69	
	(cu ft) disassembled.....	202

ADDITIONAL DATA

.....

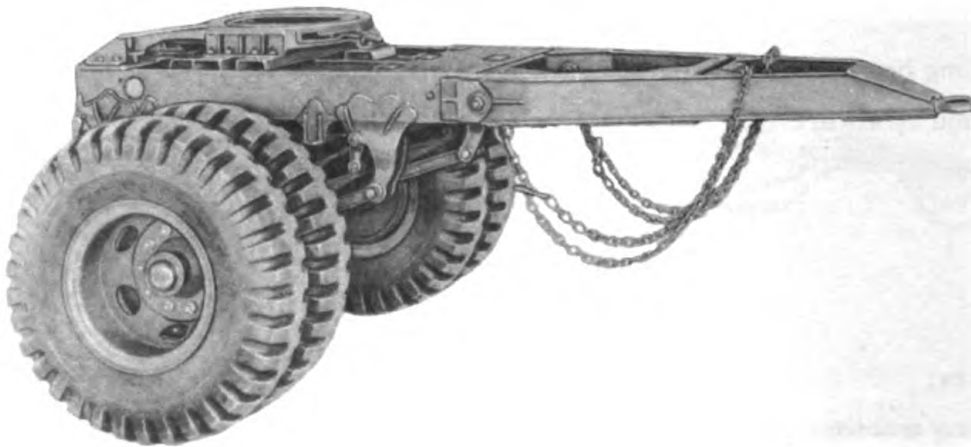
TM 9-2800

**STANDARD MILITARY MOTOR VEHICLES
DOLLY, 2-WHEEL, D.T., PONTON**

Technical Manual: TM 5-9016

Parts List:

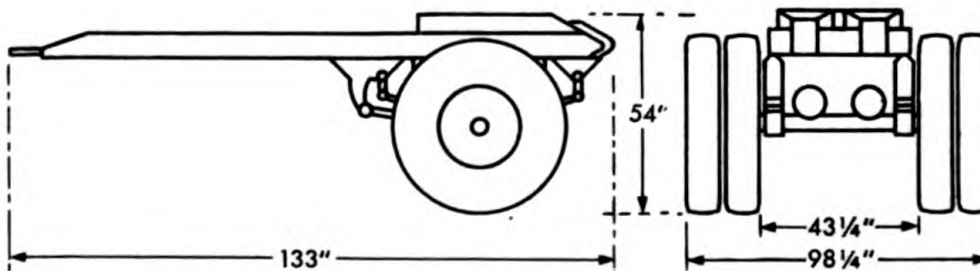
Manufacturer: Electric Wheel Co.



RA PD 309004

Classification: Standard

Purpose: Used by Corps of Engineers to convert semitrailer into four-wheel trailer.



SECTION XVII—DOLLIES
DOLLY, 2-WHEEL, D.T., PONTON

GENERAL DATA

Body type.....	Dolly	
Weight.....	Net.....(lb)	3,600
	Payload.....(lb)	
	Gross.....(lb)	
Loading height, empty.....	(in.)	54
Ground clearance.....	(in.)	18 $\frac{11}{16}$
Tread.....	(in.)	70 $\frac{3}{4}$
Tires.....	Operating.....	4
	Ply.....	14
	Size.....	12.00 x 20
Brakes.....	Air	
Towing tractor.....		
Shipping dimensions.....	(cu ft) 425.....	(sq ft) 94

ADDITIONAL DATA

33-inch rigid-mounted semiautomatic fifth wheel.

.....

TM 9-2800

**STANDARD MILITARY MOTOR VEHICLES
DOLLY, PROPELLER, TYPE C-1A**

Technical Manuals:

Parts List:

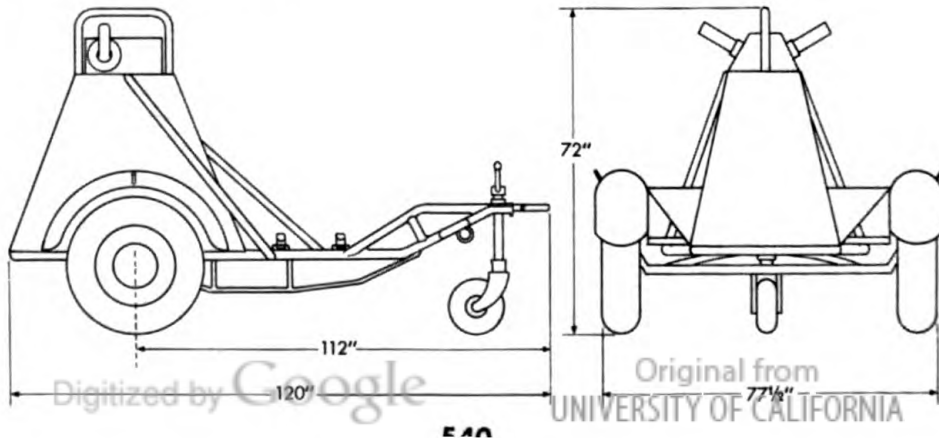
Manufacturer: General Bronze Corp.



RA PD 309061

Classification: Standard

Purpose: Used by Army Air Forces to transport 3- or 4-blade propellers up to 14 feet in diameter.



SECTION XVII—DOLLIES
DOLLY, PROPELLER, TYPE C-1A

GENERAL DATA

Body type.....	Special	
Weight.....	Net..... (lb)	1,207
	Payload..... (lb)	1,200
	Gross..... (lb)	2,407
Loading height.....	(in.)	70
Ground clearance.....		
Tread.....		
Tires.....	Operating.....	2
	Ply.....	6
	Size.....	6.50 x 16
Brakes.....		
Towing tractor.....	Any Army truck	
Shipping dimensions.....	(cu ft) 420.....	(sq ft)

ADDITIONAL DATA

.....

STANDARD MILITARY MOTOR VEHICLES

NOMENCLATURE	Vehicle classification (see para 3, Ar 850-15)	MAINTENANCE				STORAGE AND ISSUE			Page Number
		Parts Procurement		Third Echelon and Higher		Vehicle	Maintenance Parts		
		Chassis	Body	Chassis	Body		Chassis	Body	
<i>Signal Corps</i>									
Truck, 1/2-ton, 4 x 2, telephone maintenance.....	SE	Ord	SC de to Ord	Ord	Ord	SC	Ord	Ord	170
Truck, 1/2-ton, 4 x 4, light maintenance and installation K-50.....	SE	Ord	SC de to Ord	Ord	Ord	SC	Ord	Ord	170
Truck, 3/4-ton, 4 x 4, light maintenance and installation K-50.....	SE	Ord	SC de to Ord	Ord	Ord	SC	Ord	Ord	
Truck, 1 1/2-ton, 4 x 4, K-18.....	SE	Ord	SC de to Ord	Ord	Ord	SC	Ord	Ord	
Truck, 1 1/2-ton, 4 x 2, telephone maintenance and construction w/w.....	SE	Ord	SC de to Ord	Ord	Ord	SC	Ord	Ord	
Truck, 1 1/2-ton, 4 x 4, combination stake and platform, K-33.....	SE	Ord	Ord	Ord	Ord	SC	Ord	Ord	202
Truck, 1 1/2-ton, 4 x 4, combination stake and platform, K-54.....	SE	Ord	Ord	Ord	Ord	SC	Ord	Ord	202
Truck, 1 1/2-ton, 4 x 4, earth borer and pole setter, K-44.....	SE	Ord	SC de to Ord	Ord	Ord	SC	Ord	Ord	208
Truck, 1 1/2-ton, 4 x 4, panel delivery, K-51.....	SE	Ord	Ord	Ord	Ord	SC	Ord	Ord	216
Truck, 1 1/2-ton, 4 x 4, panel delivery, K-70.....	SE	Ord	Ord	Ord	Ord	SC	Ord	Ord	
Truck, 1 1/2-ton, 4 x 4, telephone construction and maintenance w/w, K-42.....	SE	Ord	SC de to Ord	Ord	Ord	SC	Ord	Ord	218
Truck, 1 1/2-ton, 4 x 4, telephone construction and maintenance w/w, K-3.....	SE	Ord	SC de to Ord	Ord	Ord	SC	Ord	Ord	218
Truck, 2 1/2-ton, 4 x 2, telephone construction.....	SE	Ord	SC de to Ord	Ord	Ord	SC	Ord	Ord	272
Truck, 2 1/2-ton, 6 x 6, van, K-53.....	SE	Ord	SC	Ord	Ord	SC	Ord	Ord	274
Truck, 2 1/2-ton, 6 x 6, van, K-57.....	SE	Ord	SC	Ord	Ord	SC	Ord	Ord	
Truck, 2 1/2-ton, 6 x 6, van, K-59.....	SE	Ord	SC	Ord	Ord	SC	Ord	Ord	
Truck, 2 1/2-ton, 6 x 6, van, K-60.....	SE	Ord	SC	Ord	Ord	SC	Ord	Ord	274
Truck, 2 1/2-ton, 6 x 6, van, K-61.....	SE	Ord	SC	Ord	Ord	SC	Ord	Ord	
Trailer, 1/4-ton, 2-wheel, telephone cable splicer, K-38.....	SP	Ord	Ord	Ord	Ord	SC	Ord	Ord	384
Trailer, 1/2-ton, 2-wheel, mobile communication, K-19.....	SP	Ord	Ord	Ord	Ord	SC	Ord	Ord	392
Trailer, 1-ton payload, 2-wheel, house, K-29.....	SE	Ord	SC	Ord	Ord	SC	Ord	Ord	394
Trailer, 1-ton payload, 2-wheel, cargo, K-52.....	SE	Ord	SC de to Ord	Ord	Ord	SC	Ord	Ord	394
Trailer, 1-ton payload, 2-wheel, cargo, K-63.....	SE	Ord	SC de to Ord	Ord	Ord	SC	Ord	Ord	398
Trailer, 1-ton payload, 2-wheel, pigeon loft, PG-45.....	SP	SC	SC	Ord	Ord	SC	Ord	Ord	
Trailer, 1 1/2-ton payload, 2-wheel, photographic, K-45.....	SP	SC	SC	Ord	Ord	SC	Ord	Ord	

SECTION XVIII—CHART OF RESPONSIBILITIES

Trailer, 1½-ton payload, 4-wheel, K-65	SP	SC	SC de to Ord	Ord	Ord	SC	Ord	Ord	402
Trailer, 2-ton payload, 2-wheel, telephone construction and pole hauling, K-36	SP	SC	SC de to Ord	Ord	Ord	SC de to Ord	Ord	Ord	410
Truck, 4-5 ton, 4 x 4, tractor, K-32	GP	Ord	Ord	Ord	Ord	Ord	Ord	Ord	
Truck, 4-5 ton, 4 x 4, van, K-30	SE	Ord	Ord	Ord	Ord	Ord	Ord	Ord	
Truck, 4-5 ton, 4 x 4, van, K-31	SE	Ord	Ord	Ord	Ord	Ord	Ord	Ord	
Truck, 5-6 ton, 4 x 4, van, K-30	SE	Ord	Ord	Ord	Ord	Ord	Ord	Ord	
Truck, 5-6 ton, 4 x 4, van, K-31	SE	Ord	Ord	Ord	Ord	Ord	Ord	Ord	
Truck, 5-6 ton, 4 x 4, van, K-62	SE	Ord	Ord	Ord	Ord	Ord	Ord	Ord	
Truck, 6-ton, 6 x 6, van, K-56	SE	Ord	Ord	Ord	Ord	Ord	Ord	Ord	
Trailer, 6-ton gross, 4-wheel, house type, K-35	SP	SC	SC	Ord	Ord	SC	Ord	Ord	402
Trailer, 4-ton payload, 2-wheel, antenna mount, K-64	SP	SC	SC	Ord	Ord	SC	Ord	Ord	434
Trailer, 4-ton payload, 2-wheel, antenna mount, K-22	SP	SC	SC	Ord	Ord	SC	Ord	Ord	434
Trailer, 4-ton payload, 4-wheel, antenna mount, K-28	SP	SC	SC	Ord	Ord	SC	Ord	Ord	436
Trailer, 4-ton payload, 4-wheel, K-39	SP	SC	SC	Ord	Ord	SC	Ord	Ord	
Trailer, 4-ton payload, 4-wheel, K-40	SP	SC	SC	Ord	Ord	SC	Ord	Ord	
Trailer, 4-ton payload, 4-wheel, K-41	SP	SC	SC	Ord	Ord	SC	Ord	Ord	
Trailer, 4-ton payload, 4-wheel, K-49	SP	SC	SC	Ord	Ord	SC	Ord	Ord	
Trailer, 4-ton payload, 4-wheel, K-58	SP	SC	SC	Ord	Ord	SC	Ord	Ord	
Trailer, 5-ton payload, 4-wheel, van, K-34	SP	SC	SC	Ord	Ord	SC	Ord	Ord	420
Trailer, 5-ton payload, 4-wheel, K-76	SP	SC	SC	Ord	Ord	SC	Ord	Ord	404
Trailer, 5-ton payload, 2-wheel, K-37, telephone construction combination cable hauler	SP	SC	SC de to Ord	Ord	Ord	SC de to Ord	Ord	Ord	418
Trailer, 10-ton gross, 4-wheel, antenna mount and operating cab, K-75	SP	SC	SC	Ord	Ord	SC	Ord	Ord	438
Trailer, 5-ton payload, 4-wheel, K-77	SP	SC	SC	Ord	Ord	SC	Ord	Ord	404
Semitrailer, 1½-ton payload, van, K-55	SP	SC	SC de to Ord	Ord	Ord	SC de to Ord	Ord	Ord	460
Semitrailer, 4-ton payload, 2-wheel, antenna mount, K-71	SP	SC	SC	Ord	Ord	SC	Ord	Ord	468
Semitrailer, 6-ton gross, 2-wheel, K-67	SP	SC	SC	Ord	Ord	SC	Ord	Ord	470
Semitrailer, 7-ton gross, K-72	SP	SC	SC de to Ord	Ord	Ord	SC de to Ord	Ord	Ord	504
Semitrailer, 13-ton gross, K-78	SP	SC	SC	Ord	Ord	SC	Ord	Ord	
Quartermaster Corps									
Truck, 2½-ton, 6 x 6, sales commissary	SE	Ord	Ord	Ord	Ord	Ord	Ord	Ord	494
Truck, 5-ton, 4 x 2, refrigerator	SE	Ord	Ord	Ord	Ord	Ord	Ord	Ord	480
Semitrailer, 10-ton gross, 2-wheel, sterilizer and bath	SP	QMC	QMC de to Ord	Ord	Ord	QMC	Ord	Ord	486
Semitrailer, 10-ton gross, 2-wheel, clothing repair	SP	QMC	QMC	Ord	Ord	QMC	Ord	Ord	492
Semitrailer, 10-ton gross, 2-wheel, laundry	SP	QMC	QMC	Ord	Ord	QMC	Ord	Ord	498
Semitrailer, 10-ton gross, 2-wheel, shoe repair	SP	QMC	QMC	Ord	Ord	QMC	Ord	Ord	
Semitrailer, 10-ton gross, 2-wheel, textile repair	SP	QMC	QMC	Ord	Ord	QMC	Ord	Ord	

STANDARD MILITARY MOTOR VEHICLES

NOMENCLATURE	Vehicle classification (see para 850-15)	MAINTENANCE				STORAGE AND ISSUE			Page Number
		Parts Procurement		Third Echelon and Higher		Vehicle	Maintenance Parts		
		Chassis	Body	Chassis	Body		Chassis	Body	
Semitrailer, 10-ton gross, 2-wheel, refrigerator	SP	QMC	QMC	Ord	Ord	QMC	Ord	Ord	474
Semitrailer, 15-ton gross, 2-wheel, refrigerator	SP	QMC	QMC	Ord	Ord	QMC	Ord	Ord	
<i>Chemical Warfare Service</i>									
Truck, 1 1/2-3-ton, 4 x 4, bus body	SE	Ord	Ord	Ord	Ord	CWS	Ord	Ord	240
Apparatus, decontaminating, power-driven, M-3-A-1 (chassis 2 1/2-ton, 6 x 6)	SE	Ord	CWS	Ord	Ord	CWS**	Ord	CWS**	
Truck, chemical service M1 (chassis 2 1/2-ton, 6 x 6)	SE	Ord	Ord	Ord	Ord	CWS**	Ord	Ord	250
Truck, crane, swinging boom, M-1 (chassis 4-ton, 6 x 6, SWB)	SE	Ord	Ord	Ord	Ord	CWS**	Ord	Ord	
Trailer, chemical handling, M-2, 4-ton payload, 4-wheel	SP	CWS	CWS	Ord	Ord	CWS	Ord	Ord	286
Trailer, chemical service, M-1 (4-ton payload, 4-wheel)	SP	CWS	CWS	Ord	Ord	CWS	Ord	Ord	
Tractor, crane (wheeled)	SP	CWS	CWS	Ord	Ord	CWS	Ord	Ord	416
	SP	CWS	CWS	Ord	Ord	CWS	Ord	Ord	
<i>Medical Corps</i>									
Truck, 2 1/2-ton, 6 x 6, surgical	SE	Ord	Med de to	Ord	Ord	Med	Ord	Ord	270
	SE	Ord	Med de to	Ord	Ord	Med	Ord	Ord	
<i>Corps of Engineers</i>									
Trailer, 2-ton tandem axle searchlight	SP	Engr	Engr	Engr	Engr	Engr	Engr	Engr	408
Trailer, full, flat bed, 8-ton	SP	Engr	Engr	Engr	Engr	Engr	Engr	Engr	
Trailer, full, flat bed, 16-ton	SP	Engr	Engr	Engr	Engr	Engr	Engr	Engr	426
Trailer, full, low bed, 20-ton	SP	Engr	Engr	Engr	Engr	Engr	Engr	Engr	
Trailer, 2-wheel, utility, pole type, 2 1/2-ton, types I, II, III, IV, and V	SP	Engr	Engr	Engr	Engr	Engr	Engr	Engr	428
Trailer, platform, low bed, 60-ton	SP	Engr	Engr	Engr	Engr	Engr	Engr	Engr	
Trailer, fire pumper, 2-wheel, 500 gpm, class 1000	SE	Ord	Ord	Ord	Ord	Ord	Ord	Ord	430
Trailer, fire crash, 2-wheel, high pressure, class 1010	SE	Ord	Ord	Ord	Ord	Ord	Ord	Ord	
Searchlight, 24-inch, complete with power plant, trailer-mounted	SP	Engr	Engr	Engr	Engr	Engr	Engr	Engr	414
Welding equipment, electric arc, 300 amp., trailer-mounted	SP	Engr	Engr	Engr	Engr	Engr	Engr	Engr	
Dolly, 2-wheel, dt, ponton	SP	Engr	Engr	Engr	Engr	Engr	Engr	Engr	444
	SP	Engr	Engr	Engr	Engr	Engr	Engr	Engr	
	SP	Engr	Engr	Engr	Engr	Engr	Engr	Engr	538
	SP	Engr	Engr	Engr	Engr	Engr	Engr	Engr	

**Ordnance stores parts for maintenance of engine of power-driven decontaminating apparatus.

STANDARD MILITARY MOTOR VEHICLES

NOMENCLATURE	Vehicle classification (see para. 850-15)	MAINTENANCE				STORAGE AND ISSUE			Page Number
		Parts Procurement		Third Echelon and Higher		Vehicle	Maintenance Parts		
		Chassis	Body	Chassis	Body		Chassis	Body	
Shop, motorized, emergency repair, 3/4-ton, 4 x 4.....	SE	Ord	Engr	Ord	Ord	Engr	Ord	Ord	168
Shop, motorized, electrical repair, 2 1/2-ton, 6 x 6.....	SE	Ord	Engr	Ord	Ord	Engr	Ord	Ord	268
Shop, motorized, machine shop, light, 2 1/2-ton, 6 x 6.....	SE	Ord	Engr	Ord	Ord	Engr	Ord	Ord	268
Shop, motorized, machine shop, heavy, 2 1/2-ton, 6 x 6.....	SE	Ord	Engr	Ord	Ord	Engr	Ord	Ord	268
Shop, motorized, small tool repair, 2 1/2-ton, 6 x 6.....	SE	Ord	Engr	Ord	Ord	Engr	Ord	Ord	268
Shop, motorized, tool and bench, 2 1/2-ton, 6 x 6.....	SE	Ord	Engr	Ord	Ord	Engr	Ord	Ord	268
Distributor, water, truck, mounted, 1,000 GM 4-ton, 6 x 6	SE								288
Tank, bituminous supply steel, truck-mounted, 800-gallon, 4-ton, 6 x 6.....	SE	Ord	Engr	Ord	Ord	Engr	Ord	Ord	296
Water purification unit, mobile, 2 1/2-ton, 6 x 6.....	SE	Ord	Engr	Ord	Ord	Engr	Ord	Ord	276
Reproduction equipment camera section, 24 x 24, 4-ton, 6 x 6, standard truck chassis w/van body.....	SE	Ord	Engr	Ord	Ord	Engr	Ord	Ord	292
Reproduction equipment laboratory section, motorized, 2 1/2-ton, 6 x 6, standard truck chassis, w/van body.....	SE	Ord	Engr	Ord	Ord	Engr	Ord	Ord	256
Reproduction equipment map lay-out section, motorized, 2 1/2-ton, 6 x 6, standard truck chassis, w/van body.....	SE	Ord	Engr	Ord	Ord	Engr	Ord	Ord	256
Reproduction equipment photographic section, motorized, 2 1/2-ton, 6 x 6, standard truck chassis, w/van body.....	SE	Ord	Engr	Ord	Ord	Engr	Ord	Ord	256
Reproduction equipment, plate grainer section, motorized, 2 1/2-ton, 6 x 6, standard truck chassis, w/van body.....	SE	Ord	Engr	Ord	Ord	Engr	Ord	Ord	256
Reproduction equipment, plate process section, motorized, 2 1/2-ton, 6 x 6, standard truck chassis, w/van body.....	SE	Ord	Engr	Ord	Ord	Engr	Ord	Ord	256
Reproduction equipment, press section, 20 x 22 1/2, motorized, 4-ton, 6 x 6, standard truck chassis, w/van body.....	SE	Ord	Engr	Ord	Ord	Engr	Ord	Ord	292
Reproduction equipment, press section, 20 x 29, motorized, 4-ton, 6 x 6, standard truck chassis, w/van body.....	SE	Ord	Engr	Ord	Ord	Engr	Ord	Ord	292
Reproduction equipment, camera section, 24 x 24, motorized, 2 1/2-ton, 6 x 6, standard truck chassis, w/van body.....	SE	Ord	Engr	Ord	Ord	Engr	Ord	Ord	256
Reproduction equipment, press section, 20 x 22 1/2, motorized, 2 1/2-ton, 6 x 6, standard truck chassis, w/van body.....	SE	Ord	Engr	Ord	Ord	Engr	Ord	Ord	256
Truck, powered, fire pumper, class 500 (500 gpm).....	SE	Ord	Engr	Ord	Ord	Engr	Ord	Ord	186
Truck, powered, fire pumper, class 525 (500 gpm).....	SE	Ord	Engr	Ord	Ord	Engr	Ord	Ord	186
Truck, powered, fire pumper, type A, oversea, class 325.....	SE	Ord	Engr	Ord	Ord	Engr	Ord	Ord	186

STANDARD MILITARY MOTOR VEHICLES

NOMENCLATURE	MAINTENANCE				STORAGE AND ISSUE		Page Number	
	Parts Procurement		Third Echelon and Higher		Vehicle	Maintenance Parts		
	Chassis	Body	Chassis	Body		Chassis		Body
Semitrailer, 4-wheel, fuel servicing, 4,000-gallon, F-1 or F-1A	SP	AAF	AAF	AAF	AAF	AAF	524-526	
Semitrailer, 4-wheel, 10-ton gross, oxygen generator	SP	AAF	AAF	AAF	AAF	AAF	516	
Semitrailer, 4-wheel, wrecking, 40-foot, type C-2	SP	AAF	AAF	AAF	AAF	AAF	514	
Semitrailer, 4-wheel, wrecking, 25-foot, type C-2	SP	AAF	AAF	AAF	AAF	AAF	344	
Tractor, medium (track-laying), high speed, M-2, prime mover	SP	Ord	Ord	AAF	AAF	AAF		
Tractor, crane, medium (track-laying), 6-ton, T-1, prime mover	SP	Ord	Ord	AAF	AAF	AAF		
Tractor, medium (track-laying), 2-ton crane, T-1, prime mover	SP	Ord	Ord	AAF	AAF	AAF		
Ordnance Department								
Ambulance, metropolitan	SP	Ord	Ord	Ord	Ord	Ord	358	
Ambulance, 1/2-ton, 4 x 4	SE	Ord	Ord	Ord	Ord	Ord	354	
Ambulance, 3/4-ton, 4 x 4	SE	Ord	Ord	Ord	Ord	Ord	356	
Ambulance, 1 1/2-ton, 4 x 2 field	SE	Ord	Ord	Ord	Ord	Ord	360	
Bus, passenger, 25-passenger	GP	Ord	Ord	Ord	Ord	Ord	364	
Bus, passenger, 40-passenger	GP	Ord	Ord	Ord	Ord	Ord	368	
Bus, passenger, 33-passenger	GP	Ord	Ord	Ord	Ord	Ord		
Bus, sedan, converted, 15-passenger	GP	Ord	Ord	Ord	Ord	Ord	362	
Bus, commercial type, 20- to 29-passenger	GP	Ord	Ord	Ord	Ord	Ord	366	
Bus, semitrailer, converted, 40- to 45-passenger	GP	Ord	Ord	Ord	Ord	Ord	370	
Cars, armored, all types	C	Ord	Ord	Ord	Ord	Ord	16-23	
Cars, scout	C	Ord	Ord	Ord	Ord	Ord	24	
Cars, 5-passenger light sedan	GP	Ord	Ord	Ord	Ord	Ord	372	
Cars, 5-passenger medium sedan	GP	Ord	Ord	Ord	Ord	Ord	374	
Carriers, half-tracks, all types	C	Ord	Ord	Ord	Ord	Ord	26-45	
Carriages, self-propelled, artillery, all types	C	Ord	Ord	Ord	Ord	Ord	46-87	
Scooters, all types	GP	Ord	Ord	Ord	Ord	Ord	380	
Truck, 1/4-ton, 4 x 4, cargo	GP	Ord	Ord	Ord	Ord	Ord	136	
Truck, 1/4-ton, 4 x 4, amphibian	SP	Ord	Ord	Ord	Ord	Ord	6	

SECTION XVIII—CHART OF RESPONSIBILITIES

Truck, 1 1/2-ton, 4 x 2, ammunition	SE	Ord	Ord	140
Truck, 1 1/2-ton, 4 x 2, canopy express	GP	Ord	Ord	138
Truck, 1 1/2-ton, 4 x 2, carry-all	GP	Ord	Ord	
Truck, 1 1/2-ton, 4 x 2, C. S. & P.	GP	Ord	Ord	144
Truck, 1 1/2-ton, 4 x 2, panel delivery	GP	Ord	Ord	142
Truck, 1 1/2-ton, 4 x 2, pick-up	GP	Ord	Ord	
Truck, 1 1/2-ton, 4 x 2, sedan, delivery	GP	Ord	Ord	
Truck, 1 1/2-ton, 4 x 4, carry-all	GP	Ord	Ord	146
Truck, 1 1/2-ton, 4 x 4, command-reconnaissance w & wo w	GP	Ord	Ord	148
Truck, 1 1/2-ton, 4 x 4, emergency repair	SE	Ord	Ord	150
Truck, 1 1/2-ton, 4 x 4, panel delivery	GP	Ord	Ord	152
Truck, 1 1/2-3-ton, 4 x 4, automotive repair, M-2	SE	Ord	Ord	224
Truck, 1 1/2-ton, 4 x 4, pick-up, w & wo w	GP	Ord	Ord	154
Truck, 1 1/2-ton, 4 x 4, radio	GP	Ord	Ord	156
Truck, 3 1/4-ton, 4 x 2, panel delivery	GP	Ord	Ord	160
Truck, 3 1/4-ton, 4 x 2, pick-up	GP	Ord	Ord	162
Truck, 3 1/4-ton, 4 x 4, carry-all	GP	Ord	Ord	164
Truck, 3 1/4-ton, 4 x 4, command, w & wo w	GP	Ord	Ord	166
Truck, 3 1/4-ton, 4 x 4, emergency repair	SE	Ord	Ord	168
Truck, 3 1/4-ton, 4 x 4, weapons carrier, w & wo w	GP	Ord	Ord	172
Truck, 1 1/2-ton, 4 x 2, canopy express	GP	Ord	Ord	174
Truck, 1 1/2-ton, 4 x 2, pick-up	GP	Ord	Ord	176
Truck, 1 1/2-ton, ammunition body	SE	Ord	Ord	
Truck, 1 1/2-ton, 4 x 2, canopy express	GP	Ord	Ord	182
Truck, 1 1/2-ton, 4 x 2, cargo	GP	Ord	Ord	180
Truck, 1 1/2-ton, 4 x 2, combination stake and platform	GP	Ord	Ord	178
Truck, 1 1/2-ton, 4 x 2, dump	GP	Ord	Ord	184
Truck, 1 1/2-3-ton, 4 x 4, machine shop, M-4	SE	Ord	Ord	224
Truck, 1 1/2-ton, 4 x 2, explosives	SE	Ord	Ord	
Truck, 1 1/2-ton, 4 x 2, panel delivery	GP	Ord	Ord	188
Truck, 1 1/2-ton, 4 x 2, refuse collector, G-W	SP	Ord	Ord	
Truck, 1 1/2-ton, 4 x 2, pick-up	GP	Ord	Ord	190
Truck, 1 1/2-ton, 4 x 2, recruiting	SP	Ord	Ord	
Truck, 1 1/2-ton, 4 x 2, tractor	GP	Ord	Ord	
Truck, 1 1/2-ton, 4 x 4, bomb service, M-6	SE	Ord	Ord	314
Truck, 1 1/2-ton, 4 x 4, cargo w & wo w	GP	Ord	Ord	194
Truck, 1 1/2-ton, 4 x 4, C. O. E., S. & P. Body, 15-feet	SP	Ord	Ord	196
Truck, 1 1/2-ton, 4 x 4, C. S. & P.	GP	Ord	Ord	200
Truck, 1 1/2-ton, 4 x 4, dump w & wo w	GP	Ord	Ord	198
Truck, 1 1/2-ton, 4 x 4, panel delivery	GP	Ord	Ord	204
		Ord	Ord	214

STANDARD MILITARY MOTOR VEHICLES

NOMENCLATURE	Vehicle classification (AR 850-13)	MAINTENANCE		Third Echelon and Higher		STORAGE AND ISSUE		Page Number
		Chassis	Body	Chassis	Body	Vehicle	Maintenance Parts Chassis Body	
Truck, 1 1/2-ton, 4 x 4, tractor	GP	Ord	Ord	Ord	Ord	Ord	Ord	316
Truck, 1 1/2-ton, 6 x 6, cargo and personnel carrier	GP	Ord	Ord	Ord	Ord	Ord	Ord	222
Truck, 1 1/2-3-ton, 4 x 4, artillery, repair, M-2 and M-1	SE	Ord	Ord	Ord	Ord	Ord	Ord	224
Truck, 1 1/2-3-ton, 4 x 4, instrument repair, M-1	SE	Ord	Ord	Ord	Ord	Ord	Ord	224
Truck, 1 1/2-3-ton, 4 x 4, small arms repair, M-1	SE	Ord	Ord	Ord	Ord	Ord	Ord	224
Truck, 1 1/2-3-ton, 4 x 4, spare parts, M-2	SE	Ord	Ord	Ord	Ord	Ord	Ord	224
Truck, 1 1/2-3-ton, 4 x 4, tank maintenance, M-1	SE	Ord	Ord	Ord	Ord	Ord	Ord	224
Truck, 2 1/2-ton, 4 x 2, ammunition	SP	Ord	Ord	Ord	Ord	Ord	Ord	
Truck, 2 1/2-ton, 4 x 2, canopy express	GP	Ord	Ord	Ord	Ord	Ord	Ord	
Truck, 2 1/2-ton, 4 x 2, cargo	GP	Ord	Ord	Ord	Ord	Ord	Ord	226
Truck, 2 1/2-ton, 4 x 2, chassis only	GP	Ord	Ord	Ord	Ord	Ord	Ord	
Truck, 2 1/2-ton, 4 x 2, C. S. & P.	GP	Ord	Ord	Ord	Ord	Ord	Ord	228
Truck, 2 1/2-ton, 4 x 2, dump	GP	Ord	Ord	Ord	Ord	Ord	Ord	230
Truck, 2 1/2-ton, 4 x 2, explosives	SE	Ord	Ord	Ord	Ord	Ord	Ord	
Truck, 2 1/2-ton, 4 x 2, tank, 1,000-gallon, fuel and oil	SP	Ord	Ord	Ord	Ord	Ord	Ord	
Truck, 2 1/2-ton, 4 x 2, tank, 1,000-gallon, water	SP	Ord	Ord	Ord	Ord	Ord	Ord	
Truck, 2 1/2-ton, 4 x 2, tractor	GP	Ord	Ord	Ord	Ord	Ord	Ord	
Truck, 2 1/2-ton, 4 x 2, utility w hoist and buckets	SE	Ord	Ord	Ord	Ord	Ord	Ord	318
Truck, 2 1/2-ton, 4 x 2, van	GP	Ord	Ord	Ord	Ord	Ord	Ord	
Truck, 2 1/2-ton, 4 x 2, load packer	SE	Ord	Ord	Ord	Ord	Ord	Ord	
Truck, 2 1/2-ton, 4 x 4, tractor	SE	Ord	Ord	Ord	Ord	Ord	Ord	
Truck, 2 1/2-ton, 6 x 4, tractor	GP	Ord	Ord	Ord	Ord	Ord	Ord	
Truck, 2 1/2-ton, 6 x 4, cargo w and wo w	GP	Ord	Ord	Ord	Ord	Ord	Ord	320
Truck, 2 1/2-ton, 6 x 6, amphibian	GP	Ord	Ord	Ord	Ord	Ord	Ord	322
Truck, 2 1/2-ton, 6 x 6, artillery repair, M-9	SE	Ord	Ord	Ord	Ord	Ord	Ord	234
Truck, 2 1/2-ton, 6 x 6, automotive repair, M-8	SE	Ord	Ord	Ord	Ord	Ord	Ord	8
Truck, 2 1/2-ton, 6 x 6, cargo, LWB w/ and wo w	GP	Ord	Ord	Ord	Ord	Ord	Ord	
Truck, 2 1/2-ton, 6 x 6, cargo, SWB w/ and wo w	GP	Ord	Ord	Ord	Ord	Ord	Ord	242
Truck, 2 1/2-ton, 6 x 6, cargo, C.O.E. 15-foot body wo w	SP	Ord	Ord	Ord	Ord	Ord	Ord	246
Truck, 2 1/2-ton, 6 x 6, dump, LWB w/ and wo w	GP	Ord	Ord	Ord	Ord	Ord	Ord	248
Truck, 2 1/2-ton, 6 x 6, electrical repair, M 18	SE	Ord	Ord	Ord	Ord	Ord	Ord	252
Truck, 2 1/2-ton, 6 x 6, instrument repair, M 10	SE	Ord	Ord	Ord	Ord	Ord	Ord	260
Truck, 2 1/2-ton, 6 x 6, machine shop, M 16	SE	Ord	Ord	Ord	Ord	Ord	Ord	260

SECTION XVIII—CHART OF RESPONSIBILITIES

Truck, 2 1/2-ton, 6 x 6, small arms repair, M-7	SE	Ord	Ord	Ord	260
Truck, 2 1/2-ton, 6 x 6, spare parts	SE	Ord	Ord	Ord	260
Truck, 2 1/2-ton, 6 x 6, stock rack	GP	Ord	Ord	Ord	262
Truck, 2 1/2-ton, 6 x 6, tank, gasoline, 750-gallon	SE	Ord	Ord	Ord	264
Truck, 2 1/2-ton, 6 x 6, tank, water, 700-gallon	SE	Ord	Ord	Ord	266
Truck, 2 1/2-ton, 6 x 6, tool and bench, M-13	SE	Ord	Ord	Ord	260
Truck, 2 1/2-ton, 6 x 6, welding, M-12A1	SE	Ord	Ord	Ord	260
Truck, 2 1/2-ton, 6 x 6, instrument bench, M-23	SE	Ord	Ord	Ord	260
Truck, 4-ton, 6 x 6, cargo	GP	Ord	Ord	Ord	284
Truck, 4-ton, 6 x 6, cargo, LWB	GP	Ord	Ord	Ord	284
Truck, 4-ton, 6 x 6, wrecker, w/winch	SE	Ord	Ord	Ord	294
Truck, 4-ton, 6 x 6, dump	GP	Ord	Ord	Ord	290
Truck, 4-5-ton, 4 x 4, tractor	GP	Ord	Ord	Ord	324
Truck, 5-ton, 4 x 2, ammunition	SP	Ord	Ord	Ord	298
Truck, 5-ton, 4 x 2, cargo	GP	Ord	Ord	Ord	300
Truck, 5-ton, 4 x 2, C. S. and P.	GP	Ord	Ord	Ord	326
Truck, 5-ton, 4 x 2, dump	GP	Ord	Ord	Ord	306
Truck, 5-ton, 4 x 2, explosives	SE	Ord	Ord	Ord	302
Truck, 5-ton, 4 x 2, tractor	GP	Ord	Ord	Ord	332
Truck, 5-6-ton, 4 x 4, tractor, w/w	GP	Ord	Ord	Ord	312
Truck, 6-ton, 6 x 6, prime mover, w/w	GP	Ord	Ord	Ord	132
Truck, 7 1/2-ton, 6 x 6, prime mover, w/w	SP	Ord	Ord	Ord	382
Truck, 8-ton, 6 x 4, tractor	GP	Ord	Ord	Ord	388
Truck, 10-ton, 6 x 6, heavy wrecker, M-1	SE	Ord	Ord	Ord	390
Truck and trailer, 40-ton, wheeled, tank recovery, T-21	SP	Ord	Ord	Ord	390
Trailer, 1/4-ton, 2-wheel, cargo, amphibian	GP	Ord	Ord	Ord	400
Trailer, 1/2-ton, 2-wheel, van, public address	SP	Ord	Ord	Ord	396
Trailer, 3/4-ton, 2-wheel, cargo	GP	Ord	Ord	Ord	450
Trailer, 1-ton, 2-wheel, cargo	GP	Ord	Ord	Ord	448
Trailer, 1-ton, 2-wheel, 250-gallon, water	SE	Ord	Ord	Ord	422-424
Trailer, 1-ton, 2-wheel, 2-horse van	SP	Ord	Ord	Ord	432
Trailer, 1 1/2-ton, 4-wheel, recruiting	SP	Ord	Ord	Ord	466
Trailer, armored, 2-wheel, M-8	SP	Ord	Ord	Ord	
Trailer, bomb, M-5	SP	Ord	Ord	Ord	
Trailer, plotting room, M-4	SP	Ord	Ord	Ord	
Trailer, 6-ton, Athey, track-laying	GP	Ord	Ord	Ord	
Trailer, 20-ton, Athey, track-laying	GP	Ord	Ord	Ord	
Semitrailer, 6-ton gross, 2-wheel, cargo	GP	Ord	Ord	Ord	
Semitrailer, 6-ton gross, 2-wheel, dump	GP	Ord	Ord	Ord	
Semitrailer, 6-ton gross, 2-wheel, stake and platform	GP	Ord	Ord	Ord	

STANDARD MILITARY MOTOR VEHICLES

NOMENCLATURE	Vehicle classification (see par. 4, AR 850-15)	MAINTENANCE				STORAGE AND ISSUE		Page Number
		Parts Procurement		Third Echelon and Higher		Vehicle	Maintenance Parts	
		Chassis	Body	Chassis	Body		Chassis	Body
Semitrailer, 6-ton gross, 2-wheel, van	GP	Ord	Ord	Ord	Ord	Ord	Ord	Ord
Semitrailer, 2-wheel, combination animal and cargo	GP	Ord	Ord	Ord	Ord	Ord	Ord	Ord
Semitrailer, 7-ton (PL), 10-ton gross, cargo	GP	Ord	Ord	Ord	Ord	Ord	Ord	Ord
Semitrailer, 10-ton gross, 2-wheel, van	GP	Ord	Ord	Ord	Ord	Ord	Ord	Ord
Semitrailer, 10-ton gross, 2-wheel mobile record unit	SE	Ord	Ord	Ord	Ord	Ord	Ord	Ord
Semitrailer, 12-ton gross, 2-wheel low platform	SP	Ord	Ord	Ord	Ord	Ord	Ord	Ord
Semitrailer, 16-ton gross, 4-wheel tandem, van	GP	Ord	Ord	Ord	Ord	Ord	Ord	Ord
Tanks, all types	C	Ord	Ord	Ord	Ord	Ord	Ord	Ord
Tractor, crane, 1-ton, M-1	SP	Ord	Ord	Ord	Ord	Ord	Ord	Ord
Tractor, light (track-laying)	SP	Ord	Ord	Ord	Ord	Ord	Ord	Ord
Tractor, medium (track-laying)	SP	Ord	Ord	Ord	Ord	Ord	Ord	Ord
Tractor, heavy (track-laying)	SP	Ord	Ord	Ord	Ord	Ord	Ord	Ord
Motorcycles, solo, chain driven, 45 cubic inches	GP	Ord	Ord	Ord	Ord	Ord	Ord	Ord
Motorcycles, solo, shaft drive	GP	Ord	Ord	Ord	Ord	Ord	Ord	Ord
Motorcycles, w/ side car, chain driven	GP	Ord	Ord	Ord	Ord	Ord	Ord	Ord

TM 9-2800

[(A. G. 300.7—(9 July 43))
(O. O. 461 43922 misc. (12 July 42))]

BY ORDER OF THE SECRETARY OF WAR:

G. C. MARSHALL,
Chief of Staff.

OFFICIAL:

J. A. ULIO,
Major General,
The Adjutant General.

DISTRIBUTION: C & H (1)

TANK, MEDIUM, M4, AND TANK, MEDIUM, M4 (105-MM HOW.)

Armament: One Gun, 75-mm, M3, or one Howitzer, 105-mm, T8; two Guns, machine, cal. .30 M1919A4 (flexible); one Gun, machine, cal. .50, HB, M2; one Gun, submachine, cal. .45 M1928A1.

Ammunition: 97 rounds, 75-mm or 68 rounds, 105-mm; 300 rounds, cal. .50; 600 rounds, cal. .45; 6,250 rounds, cal. .30; 12 hand grenades.

For further information see pages 106-107.

